

具有升压、数字前端和内部波形存储器的压电式触觉驱动器驱动器

 查询样品: **DRV2667**

特性

- 集成数字前端
 - 高达 **400kHz** 的 **I²C** 总线控制
 - 高级波形合成器
 - **2kB** 内部波形存储器
 - 内部 **100** 字节先进先出 (**FIFO**) 接口
 - **TS5000** 兼容
 - 可选模拟输入
- 高压压电式触觉驱动器
 - 在 **200V_{PP}** 和 **300Hz** 上驱动高达 **100nF** 的负载
 - 在 **150V_{PP}** 和 **300Hz** 上驱动高达 **150nF** 的负载
 - 在 **100V_{PP}** 和 **300Hz** 上驱动高达 **330nF** 的负载
 - 在 **50V_{PP}** 和 **300Hz** 上驱动高达 **680nF** 的负载
 - 差分输出
- 集成的 **105V** 升压转换器
 - 可调升压电压
 - 可调节升压限流
 - 集成功率场效应晶体管 (**FET**) 和二极管
 - 无需变压器
- **2ms** 快速启动时间 (典型值)
- **3V** 至 **5.5V** 的宽电源电压范围
- **1.8V** 兼容, **VDD** 容限数字引脚
- 采用 **4mm x 4mm x 0.9mm** 四方扁平无引线 (**QFN**) 封装 (**RGP**)
- 具有与 **DRV8662** 相似的引脚并且与 **DRV2665** 引脚兼容

应用范围

- 移动电话
- 平板电脑
- 便携式计算机
- 键盘和鼠标
- 电脑游戏
- 支持触控的器件

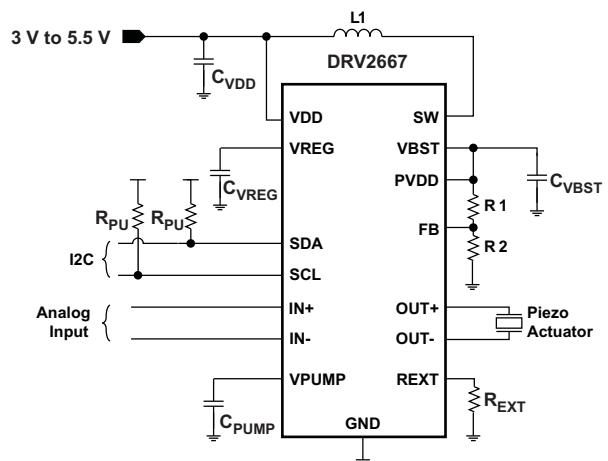
说明

DRV2667 是一款压电式触觉驱动器, 此驱动器集成有 105V 升压开关、集成功率二极管、集成型全差分放大器 and 集成型数字前端。这个多用途器件能够驱动高压和低压压电式触觉致动器。输入信号可在 I²C 端口上或者通过模拟输入驱动。

DRV2667 数字接口可通过一个 I²C 兼容总线获得。在主机系统中, 一个数字接口减轻了脉宽调制 (PWM) 生成或者额外模拟通道要求方面的昂贵处理器负担。任一到内部 FIFO 的写入将自动唤醒此器件并在 2ms 的内部启动程序之后开始播放波形。当数据流停止或者 FIFO 正在运行时, DRV2667 将自动进入一个无爆音关断程序。

DRV2667 还包括深度易失性波形存储器来用最小的延迟保存且读取波形, 以及一个高级波形合成器来用最少的存储器构建复杂触觉波形。这就提供了一个硬件加速方式, 从而减轻了处理器的触觉生成工作并大大减少了触觉接口上的总线流量。

使用两个外部电阻来设定升压电压, 并且升压电流限制可通过 R_{EXT} 电阻进行编程。2ms 的典型启动时间使得 DRV2667 成为实现快速触觉响应压电式驱动器的理想选择。热过载保护防止过驱时对器件造成的损坏。



Please be aware that an important notice concerning availability, standard warranty, and use in critical applications of Texas Instruments semiconductor products and disclaimers thereto appears at the end of this data sheet.

PACKAGING INFORMATION

Orderable Device	Status (1)	Package Type	Package Drawing	Pins	Package Qty	Eco Plan (2)	Lead finish/ Ball material (6)	MSL Peak Temp (3)	Op Temp (°C)	Device Marking (4/5)	Samples
DRV2667RGPR	ACTIVE	QFN	RGP	20	3000	RoHS & Green	NIPDAU	Level-4-260C-72 HR	-40 to 85	2667	Samples
DRV2667RGPT	ACTIVE	QFN	RGP	20	250	RoHS & Green	NIPDAU	Level-4-260C-72 HR	-40 to 85	2667	Samples

(1) The marketing status values are defined as follows:

ACTIVE: Product device recommended for new designs.

LIFEBUY: TI has announced that the device will be discontinued, and a lifetime-buy period is in effect.

NRND: Not recommended for new designs. Device is in production to support existing customers, but TI does not recommend using this part in a new design.

PREVIEW: Device has been announced but is not in production. Samples may or may not be available.

OBSOLETE: TI has discontinued the production of the device.

(2) **RoHS:** TI defines "RoHS" to mean semiconductor products that are compliant with the current EU RoHS requirements for all 10 RoHS substances, including the requirement that RoHS substance do not exceed 0.1% by weight in homogeneous materials. Where designed to be soldered at high temperatures, "RoHS" products are suitable for use in specified lead-free processes. TI may reference these types of products as "Pb-Free".

RoHS Exempt: TI defines "RoHS Exempt" to mean products that contain lead but are compliant with EU RoHS pursuant to a specific EU RoHS exemption.

Green: TI defines "Green" to mean the content of Chlorine (Cl) and Bromine (Br) based flame retardants meet JS709B low halogen requirements of <=1000ppm threshold. Antimony trioxide based flame retardants must also meet the <=1000ppm threshold requirement.

(3) MSL, Peak Temp. - The Moisture Sensitivity Level rating according to the JEDEC industry standard classifications, and peak solder temperature.

(4) There may be additional marking, which relates to the logo, the lot trace code information, or the environmental category on the device.

(5) Multiple Device Markings will be inside parentheses. Only one Device Marking contained in parentheses and separated by a "~" will appear on a device. If a line is indented then it is a continuation of the previous line and the two combined represent the entire Device Marking for that device.

(6) Lead finish/Ball material - Orderable Devices may have multiple material finish options. Finish options are separated by a vertical ruled line. Lead finish/Ball material values may wrap to two lines if the finish value exceeds the maximum column width.

Important Information and Disclaimer:The information provided on this page represents TI's knowledge and belief as of the date that it is provided. TI bases its knowledge and belief on information provided by third parties, and makes no representation or warranty as to the accuracy of such information. Efforts are underway to better integrate information from third parties. TI has taken and continues to take reasonable steps to provide representative and accurate information but may not have conducted destructive testing or chemical analysis on incoming materials and chemicals. TI and TI suppliers consider certain information to be proprietary, and thus CAS numbers and other limited information may not be available for release.

In no event shall TI's liability arising out of such information exceed the total purchase price of the TI part(s) at issue in this document sold by TI to Customer on an annual basis.

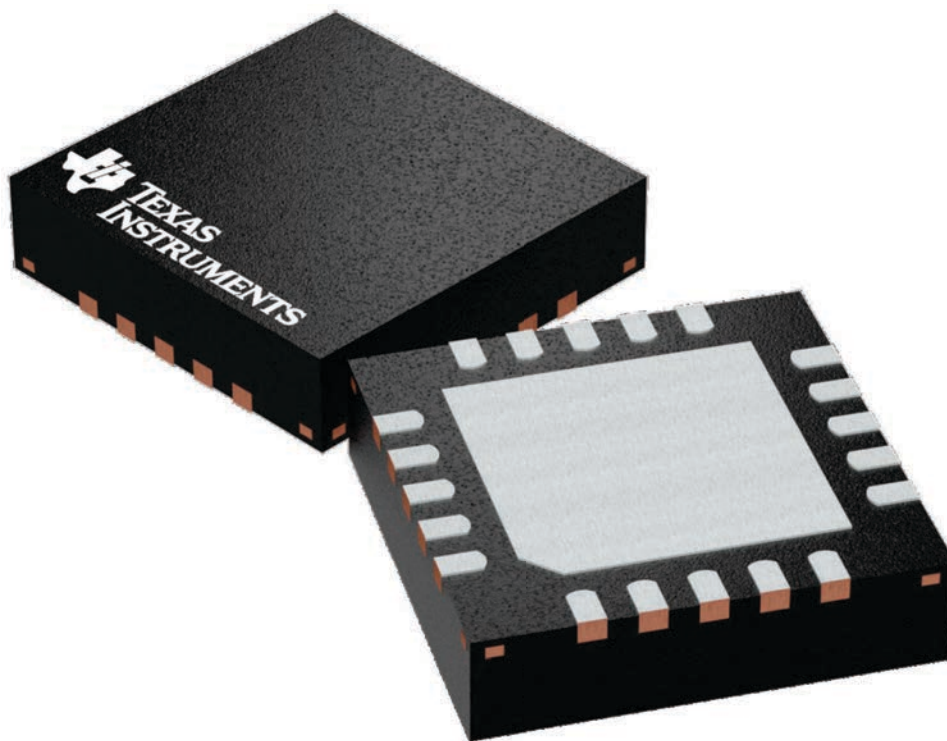
GENERIC PACKAGE VIEW

RGP 20

VQFN - 1 mm max height

4 x 4, 0.5 mm pitch

VERY THIN QUAD FLATPACK



Images above are just a representation of the package family, actual package may vary.
Refer to the product data sheet for package details.

4224735/A

重要通知和免责声明

TI“按原样”提供技术和可靠性数据（包括数据表）、设计资源（包括参考设计）、应用或其他设计建议、网络工具、安全信息和其他资源，不保证没有瑕疵且不做任何明示或暗示的担保，包括但不限于对适销性、某特定用途方面的适用性或不侵犯任何第三方知识产权的暗示担保。

这些资源可供使用 TI 产品进行设计的熟练开发人员使用。您将自行承担以下全部责任：(1) 针对您的应用选择合适的 TI 产品，(2) 设计、验证并测试您的应用，(3) 确保您的应用满足相应标准以及任何其他功能安全、信息安全、监管或其他要求。

这些资源如有变更，恕不另行通知。TI 授权您仅可将这些资源用于研发本资源所述的 TI 产品的相关应用。严禁以其他方式对这些资源进行复制或展示。您无权使用任何其他 TI 知识产权或任何第三方知识产权。您应全额赔偿因在这些资源的使用中对 TI 及其代表造成的任何索赔、损害、成本、损失和债务，TI 对此概不负责。

TI 提供的产品受 [TI 的销售条款](#) 或 [ti.com](#) 上其他适用条款/TI 产品随附的其他适用条款的约束。TI 提供这些资源并不会扩展或以其他方式更改 TI 针对 TI 产品发布的适用的担保或担保免责声明。

TI 反对并拒绝您可能提出的任何其他或不同的条款。

邮寄地址：Texas Instruments, Post Office Box 655303, Dallas, Texas 75265
版权所有 © 2025，德州仪器 (TI) 公司