

LMK61PD0A2 超低抖动引脚可选振荡器

1 特性

- 超低噪声、高性能
 - 抖动: $f_{OUT} > 100\text{MHz}$ 时的典型值为 90fs (RMS)
 - 高电源抑制比 (PSRR): -70dBc, 出色的电源抗扰度
- 灵活的输出频率和格式: 用户可选择
 - 频率: 62.5MHz、100MHz、106.25MHz、125MHz、156.25MHz、212.5MHz、312.5MHz
 - 格式: 低电压正射极耦合逻辑 (LVPECL)、低压差分信令 (LVDS) 或高速收发器逻辑 (HSTL)
- 总频率容差: $\pm 50\text{ppm}$
- 内部存储器存储了多个启动配置, 可通过引脚控制进行选择
- 3.3V 工作电压
- 工业温度范围 (-40°C 至 +85°C)
- 7mm x 5mm 8 引脚封装

2 应用

- 晶体振荡器、表面声波 (SAW) 振荡器或芯片振荡器的高性能替换产品
- 开关、路由器、网卡、基带装置 (BBU)、服务器、存储/SAN
- 测试和测量
- 医疗成像
- 现场可编程门阵列 (FPGA), 处理器连接

3 说明

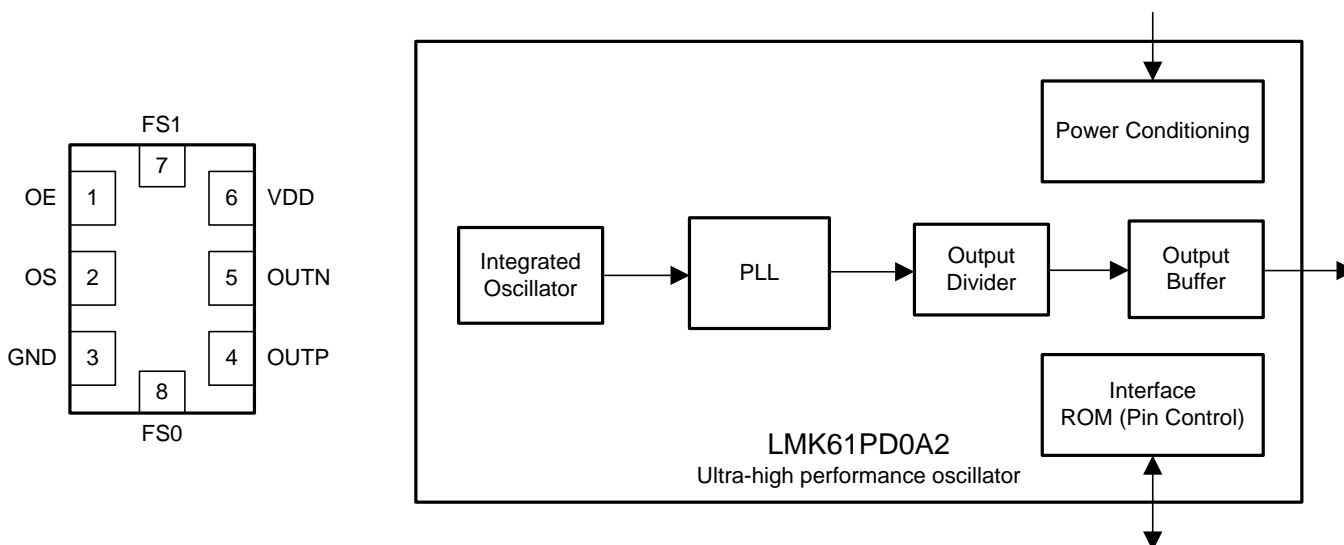
LMK61PD0A2 是一款超低抖动的 PLLatinum™ 引脚可选振荡器。该振荡器可生成通用基准时钟。该器件在出厂前进行了预编程, 可支持七种不同基准时钟频率。相应频率可通过将每个 FS[1:0] 配置为 VDD、GND 或 NC (无连接) 进行选择。输出格式可通过将操作系统 (OS) 的引脚配置为 VDD、GND 或 NC 进行选择, 三种配置方式分别对应格式 LVPECL、LVDS 以及 HCSL。内部电源调节功能提供出色的电源纹波抑制 (PSRR), 降低了供电网络的成本和复杂性。该器件由单个 $3.3\text{V} \pm 5\%$ 电源供电。

器件信息⁽¹⁾

部件号	封装	封装尺寸 (标称值)
LMK61PD0A2	8 引脚 QFM (SIA)	7.0mm x 5.0mm

(1) 要了解所有可用封装, 请见数据表末尾的可订购产品附录。

引脚分布和简化框图



目录

1	特性	1	7.15	Additional Reliability and Qualification	9
2	应用	1	7.16	Typical Performance Characteristics	10
3	说明	1	8	Parameter Measurement Information	11
4	修订历史记录	2	8.1	Device Output Configurations	11
5	Device Control	3	9	Detailed Description	13
6	Pin Configuration and Functions	4	9.1	Overview	13
7	Specifications	5	9.2	Functional Block Diagram	13
7.1	Absolute Maximum Ratings	5	9.3	Feature Description	13
7.2	ESD Ratings	5	10	Application and Implementation	14
7.3	Recommended Operating Conditions	5	10.1	Application Information	14
7.4	Thermal Information	5	10.2	Typical Application	14
7.5	Electrical Characteristics - Power Supply	6	11	Power Supply Recommendations	16
7.6	LVPECL Output Characteristics	6	12	Layout	17
7.7	LVDS Output Characteristics	6	12.1	Layout Guidelines	17
7.8	HCSL Output Characteristics	7	13	器件和文档支持	19
7.9	OE Input Characteristics	7	13.1	社区资源	19
7.10	OS, FS[1:0] Input Characteristics	7	13.2	商标	19
7.11	Frequency Tolerance Characteristics	7	13.3	静电放电警告	19
7.12	Power-On/Reset Characteristics (VDD)	8	13.4	Glossary	19
7.13	PSRR Characteristics	8	14	机械、封装和可订购信息	19
7.14	PLL Clock Output Jitter Characteristics	9			

4 修订历史记录

Changes from Original (October 2015) to Revision A

Page

• “产品预览”至“量产数据”	1
-----------------------	----------

5 Device Control

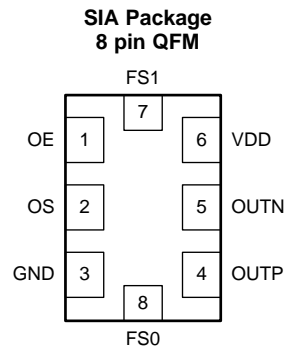
Table 1. Output Frequency Mapping for FS[1:0] Selection

FS1	FS0	OUT FREQUENCY (MHz)	RELEVANT STANDARDS
0	0	100	PCI Express
0	NC	312.5	10 Gbps Ethernet
0	1	125	1 Gbps Ethernet
NC	0	106.25	Fiber Channel
NC	NC	156.25	10 Gbps Ethernet
NC	1	212.5	Fiber Channel
1	0	62.5	1 Gbps Ethernet
1	NC	Reserved	n/a
1	1	Reserved	n/a

Table 2. Output Type Mapping for OS, OE Selection

OS	OE	OUTPUT TYPE
X	0	Disabled (PLL functional)
0	1	LVPECL
NC	1	LVDS
1	1	HCSSL

6 Pin Configuration and Functions


Table 3. Pin Functions

PIN		I/O	DESCRIPTION
NAME	NO.		
POWER			
GND	3	Ground	Device Ground.
VDD	6	Analog	3.3 V Power Supply.
OUTPUT BLOCK			
OUTP, OUTN	4, 5	Universal	Differential Output Pair (LVPECL, LVDS or HCSL).
DIGITAL CONTROL / INTERFACES			
FS[1:0]	7, 8	LVC MOS	Output Frequency Select. Refer to Table 1 .
OE	1	LVC MOS	Output Enable (internal pullup). Refer to Table 2 .
OS	3	LVC MOS	Output Type Select. Refer to Table 2 .

7 Specifications

7.1 Absolute Maximum Ratings

over operating free-air temperature range (unless otherwise noted)⁽¹⁾

		MIN	MAX	UNIT
VDD	Device Supply Voltage	-0.3	3.6	V
V _{IN}	Output Voltage Range for Logic Inputs	-0.3	VDD + 0.3	V
V _{OUT}	Output Voltage Range for Clock Outputs	-0.3	VDD + 0.3	V
T _J	Junction Temperature		150	°C
T _{STG}	Storage Temperature	-40	125	°C

(1) Stresses beyond those listed under *Absolute Maximum Ratings* may cause permanent damage to the device. These are stress ratings only, which do not imply functional operation of the device at these or any other conditions beyond those indicated under *Recommended Operating Conditions*. Exposure to absolute maximum-rated conditions for extended periods may affect device reliability.

7.2 ESD Ratings

		VALUE	UNIT
V _(ESD)	Electrostatic discharge	Human-body model (HBM), per ANSI/ESDA/JEDEC JS-001 ⁽¹⁾	V
		Charged-device model (CDM), per JEDEC specification JESD22-C101 ⁽²⁾	
		±4000	
		±1500	

(1) JEDEC document JEP155 states that 500 V HBM allows safe manufacturing with a standard ESD control process.

(2) JEDEC document JEP157 states that 250 V CDM allows safe manufacturing with a standard ESD control process.

7.3 Recommended Operating Conditions

over operating free-air temperature range (unless otherwise noted)

		MIN	NOM	MAX	UNIT
VDD	Device Supply Voltage	3.135	3.3	3.465	V
T _A	Ambient Temperature	-40	25	85	°C
T _J	Junction Temperature			125	°C
t _{RAMP}	VDD Power-Up Ramp Time	0.1		100	ms

7.4 Thermal Information

THERMAL METRIC ⁽¹⁾	LMK61PD0A2 ^{(2) (3) (4)}			UNIT	
	QFM (SIA)				
	8 PINS				
	Airflow (LFM) 0	Airflow (LFM) 200	Airflow (LFM) 400		
R _{θJA}	Junction-to-ambient thermal resistance	54	44	41.2	°C/W
R _{θJC(top)}	Junction-to-case (top) thermal resistance	34	n/a	n/a	
R _{θJB}	Junction-to-board thermal resistance	36.7	n/a	n/a	
ψ _{JT}	Junction-to-top characterization parameter	11.2	16.9	21.9	
ψ _{JB}	Junction-to-board characterization parameter	36.7	37.8	38.9	
R _{θJC(bot)}	Junction-to-case (bottom) thermal resistance	n/a	n/a	n/a	

(1) For more information about traditional and new thermal metrics, see the *Semiconductor and IC Package Thermal Metrics* application report, [SPRA953](#).

(2) The package thermal resistance is calculated on a 4 layer JEDEC board.

(3) Connected to GND with 3 thermal vias (0.3-mm diameter).

(4) ψ_{JB} (junction to board) is used when the main heat flow is from the junction to the GND pad. Please refer to Thermal Considerations section for more information on ensuring good system reliability and quality.

LMK61PD0A2

ZHCSEB9A –OCTOBER 2015–REVISED NOVEMBER 2015

www.ti.com.cn
7.5 Electrical Characteristics - Power Supply⁽¹⁾
 $V_{DD} = 3.3\text{ V} \pm 5\%$, $T_A = -40\text{C}$ to 85C

PARAMETER		TEST CONDITIONS	MIN	TYP	MAX	UNIT
IDD	Device Current Consumption	LVPECL ⁽²⁾		162	208	mA
		LVDS		152	196	
		HCSL		155	196	
IDD-PD	Device Current Consumption when output is disabled	OE = GND		136		

(1) Refer to Parameter Measurement Information for relevant test conditions.

(2) On-chip power dissipation should exclude 40 mW, dissipated in the 150 ohm termination resistors, from total power dissipation.

7.6 LVPECL Output Characteristics⁽¹⁾
 $V_{DD} = 3.3\text{ V} \pm 5\%$, $T_A = -40\text{C}$ to 85C

PARAMETER		TEST CONDITIONS	MIN	TYP	MAX	UNIT
f_{OUT}	Output Frequency ⁽²⁾		62.5		312.5	MHz
V_{OD}	Output Voltage Swing ($V_{OH} - V_{OL}$) ⁽²⁾		700	800	1200	mV
$V_{OUT, DIFF, PP}$	Differential Output Peak-to-Peak Swing			2 x $ V_{OD} $		V
V_{OS}	Output Common Mode Voltage			$V_{DD} - 1.55$		V
t_R / t_F	Output Rise/Fall Time (20% to 80%) ⁽³⁾			120	200	ps
PN-Floor	Output Phase Noise Floor ($f_{OFFSET} > 10\text{ MHz}$)	156.25 MHz		-165		dBc/Hz
ODC	Output Duty Cycle ⁽³⁾		45%		55%	

(1) Refer to Parameter Measurement Information for relevant test conditions.

 (2) An output frequency over f_{OUT} max spec is possible, but output swing may be less than V_{OD} min spec.

(3) Ensured by characterization.

7.7 LVDS Output Characteristics⁽¹⁾
 $V_{DD} = 3.3\text{ V} \pm 5\%$, $T_A = -40\text{C}$ to 85C

PARAMETER		TEST CONDITIONS	MIN	TYP	MAX	UNIT
f_{OUT}	Output Frequency ⁽¹⁾		62.5		312.5	MHz
V_{OD}	Output Voltage Swing ($V_{OH} - V_{OL}$) ⁽¹⁾		300	390	480	mV
$V_{OUT, DIFF, PP}$	Differential Output Peak-to-Peak Swing			2 x $ V_{OD} $		V
V_{OS}	Output Common Mode Voltage			1.2		V
t_R / t_F	Output Rise/Fall Time (20% to 80%) ⁽²⁾			150	250	ps
PN-Floor	Output Phase Noise Floor ($f_{OFFSET} > 10\text{ MHz}$)	156.25 MHz		-162		dBc/Hz
ODC	Output Duty Cycle ⁽²⁾		45%		55%	
R_{OUT}	Differential Output Impedance			125		Ohm

 (1) An output frequency over f_{OUT} max spec is possible, but output swing may be less than V_{OD} min spec.

(2) Ensured by characterization.

7.8 HCSL Output Characteristics⁽¹⁾

VDD = 3.3 V ± 5%, T_A = -40°C to 85°C

PARAMETER	TEST CONDITIONS	MIN	TYP	MAX	UNIT
f _{OUT}	Output Frequency	62.5		312.5	MHz
V _{OH}	Output High Voltage	600		850	mV
V _{OL}	Output Low Voltage	-100		100	mV
V _{CROSS}	Absolute Crossing Voltage ⁽²⁾⁽³⁾	250		475	mV
V _{CROSS-DELTA}	Variation of V _{CROSS} ⁽²⁾⁽³⁾	0		140	mV
dV/dt	Slew Rate ⁽⁴⁾	0.8		2	V/ns
PN-Floor	Output Phase Noise Floor (f _{OFFSET} > 10 MHz)	100 MHz		-164	dBc/Hz
ODC	Output Duty Cycle ⁽⁴⁾	45%		55%	

(1) Refer to Parameter Measurement Information for relevant test conditions.

(2) Measured from -150 mV to +150 mV on the differential waveform with the 300 mVpp measurement window centered on the differential zero crossing.

(3) Ensured by design.

(4) Ensured by characterization.

7.9 OE Input Characteristics

VDD = 3.3 V ± 5%, T_A = -40°C to 85°C

PARAMETER	TEST CONDITIONS	MIN	TYP	MAX	UNIT
V _{IH}	Input High Voltage	1.4			V
V _{IL}	Input Low Voltage			0.6	V
I _{IH}	Input High Current	V _{IH} = VDD		40	uA
I _{IL}	Input Low Current	V _{IL} = GND		40	uA
C _{IN}	Input Capacitance		2		pF

7.10 OS, FS[1:0] Input Characteristics

VDD = 3.3 V ± 5%, T_A = -40°C to 85°C

PARAMETER	TEST CONDITIONS	MIN	TYP	MAX	UNIT
V _{IH}	Input High Voltage	1.4			V
V _{IL}	Input Low Voltage			0.4	V
I _{IH}	Input High Current	V _{IH} = VDD		40	uA
I _{IL}	Input Low Current	V _{IL} = GND		40	uA
C _{IN}	Input Capacitance		2		pF

7.11 Frequency Tolerance Characteristics⁽¹⁾

VDD = 3.3 V ± 5%, T_A = -40°C to 85°C

PARAMETER	TEST CONDITIONS	MIN	TYP	MAX	UNIT	
f _T	Total Frequency Tolerance	All output formats, frequency bands and device junction temperature up to 125°C; includes initial freq tolerance, temperature & supply voltage variation, solder reflow and aging (10 years)	-50		50	ppm

(1) Ensured by characterization.

LMK61PD0A2

ZHCSEB9A –OCTOBER 2015 –REVISED NOVEMBER 2015

www.ti.com.cn
7.12 Power-On/Reset Characteristics (VDD)

 VDD = 3.3 V ± 5%, T_A = -40°C to 85°C

PARAMETER		TEST CONDITIONS	MIN	TYP	MAX	UNIT
V _{THRESH}	Threshold Voltage ⁽¹⁾		2.72		2.95	V
V _{DROOP}	Allowable Voltage Droop ⁽²⁾				0.1	V
t _{STARTUP}	Startup Time ⁽¹⁾	Time elapsed from VDD at 3.135 V to output enabled			10	ms
t _{OE-EN}	Output enable time ⁽²⁾	Time elapsed from OE at V _{IH} to output enabled			50	us
t _{OE-DIS}	Output disable time ⁽²⁾	Time elapsed from OE at V _{IL} to output disabled			50	us

(1) Ensured by characterization.

(2) Ensured by design.

7.13 PSRR Characteristics⁽¹⁾

 VDD = 3.3 V, T_A = 25°C, FS[1:0] = NC, NC

PARAMETER		TEST CONDITIONS	MIN	TYP	MAX	UNIT
PSRR	Spurs Induced by 50 mV Power Supply Ripple ⁽²⁾⁽³⁾ at 156.25 MHz output, all output types	Sine wave at 50 kHz		-70		dBc
		Sine wave at 100 kHz		-70		
		Sine wave at 500 kHz		-70		
		Sine wave at 1 MHz		-70		

(1) Refer to Parameter Measurement Information for relevant test conditions.

(2) Measured max spur level with 50 mVpp sinusoidal signal between 50 kHz and 1 MHz applied on VDD pin

 (3) $DJ_{SPUR} \text{ (ps, pk-pk)} = [2 \cdot 10 \cdot (\text{SPUR}/20) / (\pi \cdot f_{OUT})] \cdot 1e6$, where PSRR or SPUR in dBc and f_{OUT} in MHz.

7.14 PLL Clock Output Jitter Characteristics⁽¹⁾⁽²⁾

VDD = 3.3 V ± 5%, T_A = -40°C to 85°C

PARAMETER		TEST CONDITIONS	MIN	TYP	MAX	UNIT
RJ	RMS Phase Jitter ⁽³⁾ (12 kHz – 20 MHz) (1 kHz – 5 MHz)	f _{OUT} ≥ 100 MHz, All output frequencies and output types		100	200	fs RMS
RJ	RMS Phase Jitter ⁽³⁾ (12 kHz – 20 MHz) (1 kHz – 5 MHz)	f _{OUT} = 62.5 MHz, All output frequencies and output types		200	400	fs RMS

- (1) Refer to Parameter Measurement Information for relevant test conditions.
 (2) Phase jitter measured with Agilent E5052 signal source analyzer using a differential-to-single ended converter (balun or buffer).
 (3) Ensured by characterization.

7.15 Additional Reliability and Qualification

PARAMETER	CONDITION / TEST METHOD
Mechanical Shock	MIL-STD-202, Method 213
Mechanical Vibration	MIL-STD-202, Method 204
Moisture Sensitivity Level	J-STD-020, MSL3

7.16 Typical Performance Characteristics

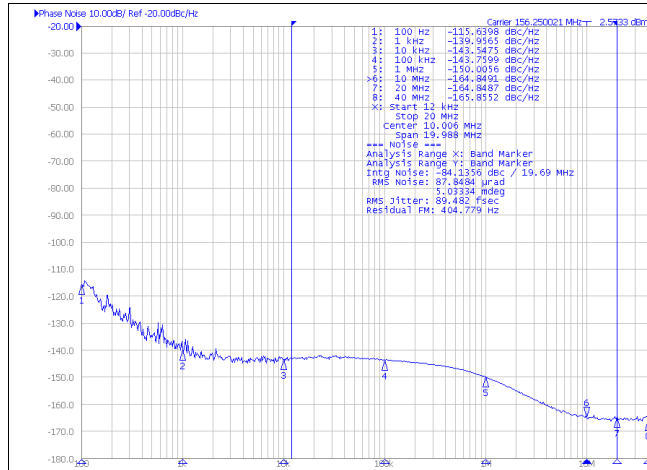


Figure 1. Phase Noise of LVPECL Differential Output at 156.25 MHz with FS[1:0] = NC, NC, OS = GND

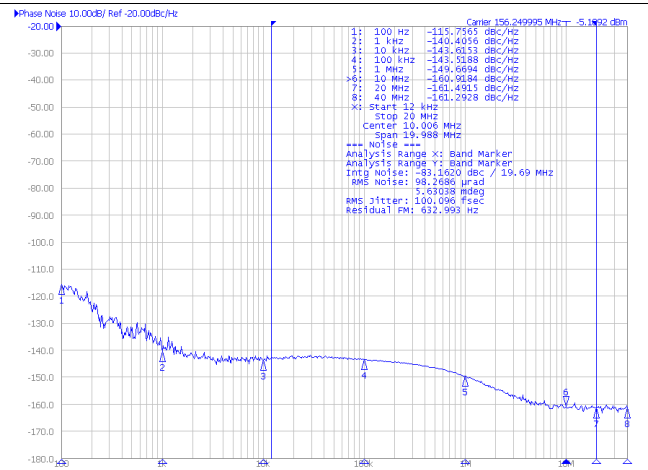


Figure 2. Phase Noise of LVDS Differential Output at 156.25 MHz with FS[1:0] = NC, NC, OS = NC

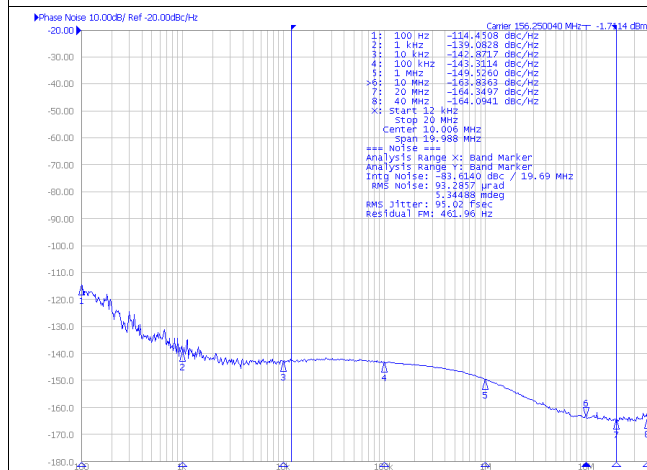


Figure 3. Phase Noise of HCSL Differential Output at 156.25 MHz with FS[1:0] = NC, NC, OS = VDD

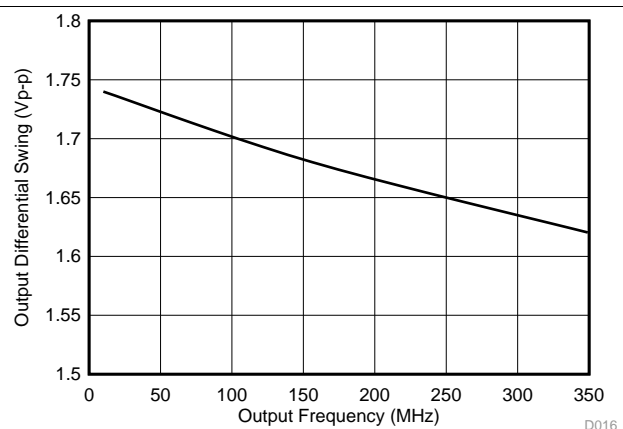


Figure 4. LVPECL Differential Output Swing vs Frequency

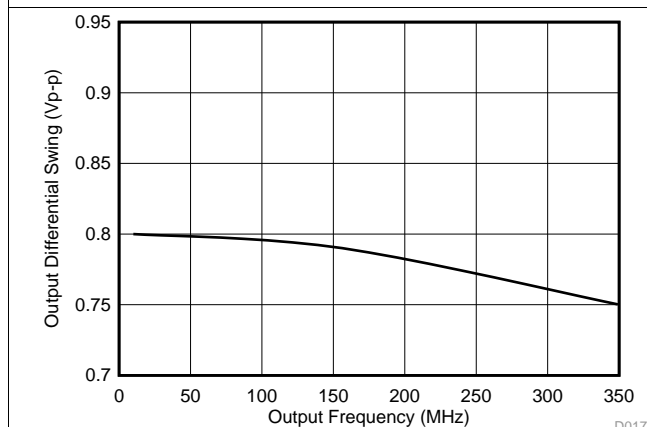


Figure 5. LVDS Differential Output Swing vs Frequency

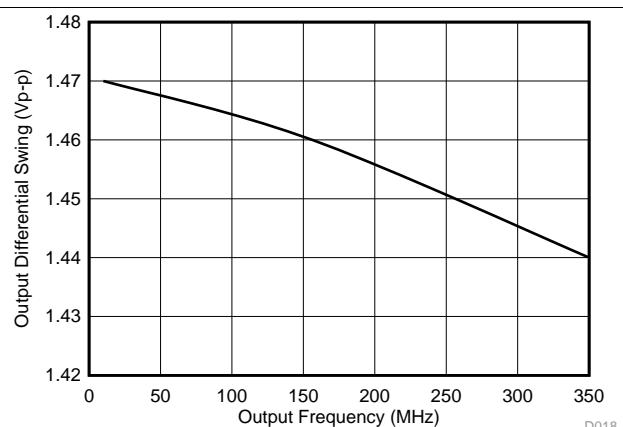


Figure 6. HCSL Differential Output Swing vs Frequency

8 Parameter Measurement Information

8.1 Device Output Configurations

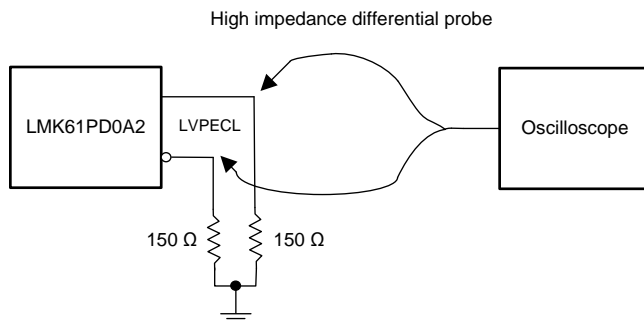


Figure 7. LVPECL Output DC Configuration during Device Test

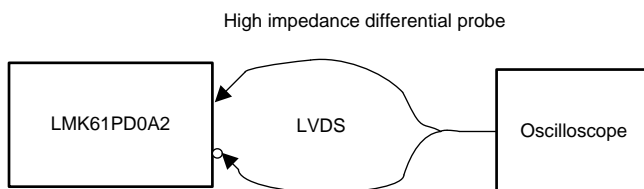


Figure 8. LVDS Output DC Configuration during Device Test

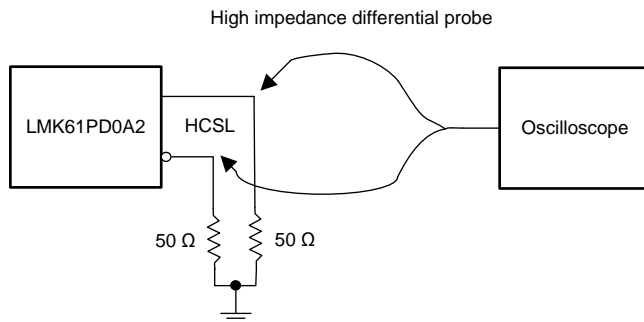


Figure 9. HCSL Output DC Configuration during Device Test

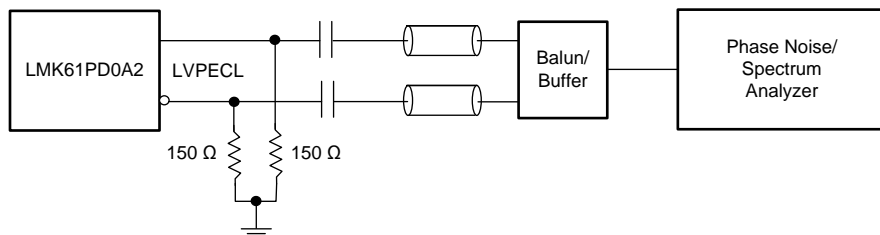


Figure 10. LVPECL Output AC Configuration during Device Test

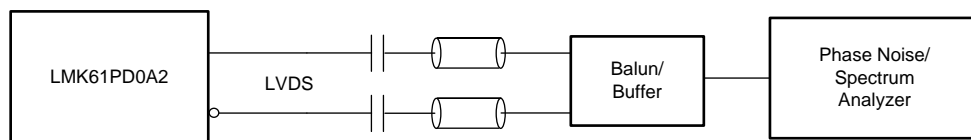


Figure 11. LVDS Output AC Configuration during Device Test

Device Output Configurations (continued)

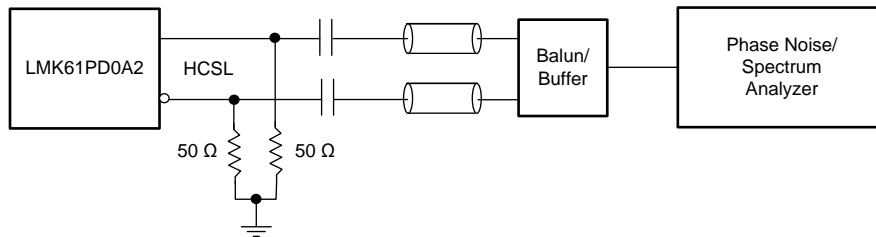


Figure 12. HCSL Output AC Configuration during Device Test

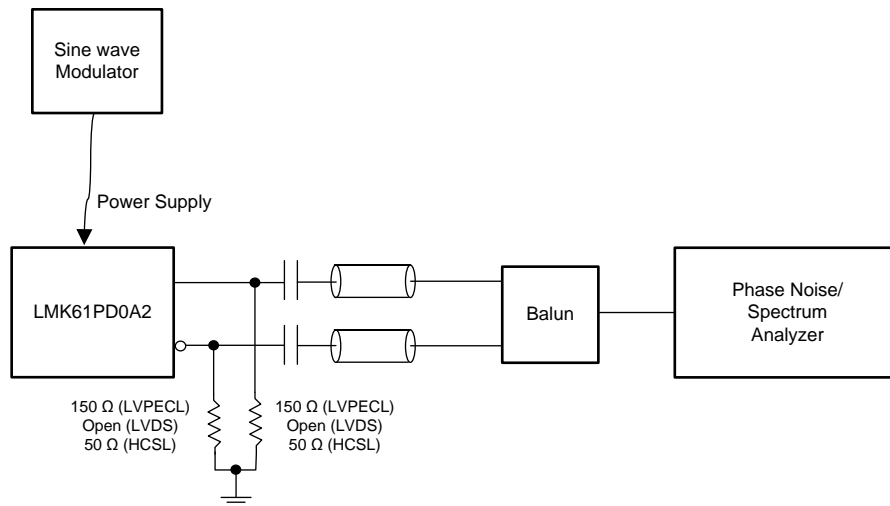


Figure 13. PSRR Test Setup

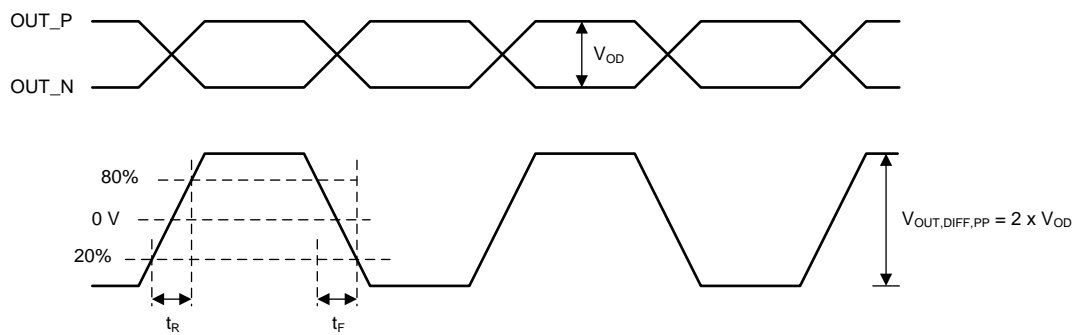


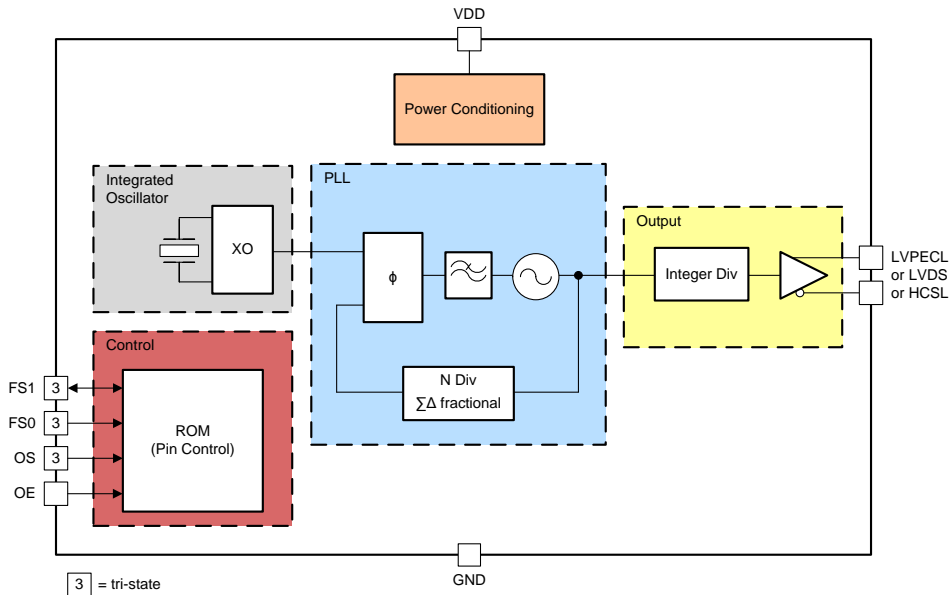
Figure 14. Differential Output Voltage and Rise/Fall Time

9 Detailed Description

9.1 Overview

The LMK61PD0A2 is a pin selectable oscillator that generates commonly used reference clocks, greater than 100 MHz, with less than 200 fs, rms max random jitter.

9.2 Functional Block Diagram



NOTE

Control blocks are compatible with 1.8/2.5/3.3 V I/O voltage levels.

9.3 Feature Description

9.3.1 Device Block-Level Description

The LMK61PD0A2 comprises of an integrated oscillator that includes a 50 MHz crystal, a fractional PLL with integrated VCO. Completing the device is the combination of an integer output divider and a universal differential output buffer. The on-chip ROM contains seven pre-programmed output frequency plans that selects the appropriate settings for the integrated oscillator, PLL blocks and output divider. [Table 1](#) lists the supported output frequency plans that can be selected by pin-strapping FS[1:0] as required. [Table 2](#) lists the supported output types that can be selected by pin-strapping OS and OE as required. The device is powered by on-chip low dropout (LDO) linear voltage regulators and the regulated supply network is partitioned such that the sensitive analog supplies are running from separate LDOs than the digital supplies which use their own LDO. The LDOs provide isolation from any noise in the external power supply rail with a PSRR of better than -70 dBc at 50 kHz to 1 MHz ripple frequencies at 3.3 V device supply.

9.3.2 Device Configuration Control

The LMK61PD0A2 selects an output frequency plan and output type using control pins FS[1:0].

10 Application and Implementation

NOTE

Information in the following applications sections is not part of the TI component specification, and TI does not warrant its accuracy or completeness. TI's customers are responsible for determining suitability of components for their purposes. Customers should validate and test their design implementation to confirm system functionality.

10.1 Application Information

The LMK61PD0A2 is an ultra-low jitter pin selectable oscillator that can be used to provide reference clocks for high-speed serial links resulting in improved system performance.

10.2 Typical Application

10.2.1 Jitter Considerations in Serdes Systems

Jitter-sensitive applications such as 10 Gbps or 100 Gbps Ethernet, deploy a serial link utilizing a Serializer in the transmit section (TX) and a De-serializer in the receive section (RX). These SERDES blocks are typically embedded in an ASIC or FPGA. Estimating the clock jitter impact on the link budget requires understanding of the TX PLL bandwidth and the RX CDR bandwidth.

As can be seen in [Figure 15](#), the pass band region between the TX low pass cutoff and RX high pass cutoff frequencies is the range over which the reference clock jitter adds without any attenuation to the jitter budget of the link. Outside of these frequencies, the SERDES link will attenuate the reference clock jitter with a 20 dB/dec or even steeper roll-off. Modern ASIC or FPGA designs have some flexibility on deciding the optimal RX CDR bandwidth and TX PLL bandwidth. These bandwidths are typically set based on what is achievable in the ASIC or FPGA process node, without increasing design complexity, and on any jitter tolerance or wander specification that needs to be met, as related to the RX CDR bandwidth.

The overall allowable jitter in a serial link is dictated by IEEE or other relevant standards. For example, IEEE802.3ba states that the maximum transmit jitter (peak-peak) for 10 Gbps Ethernet should be no more than $0.28 * UI$ and this equates to a 27.1516 ps, p-p for the overall allowable transmit jitter.

The jitter contributing elements are made up of the reference clock, generated potentially from a device like LMK61PD0A2, the transmit medium, transmit driver etc. Only a portion of the overall allowable transmit jitter is allocated to the reference clock, typically 20% or lower. Therefore, the allowable reference clock jitter, for a 20% clock jitter budget, is 5.43 ps, p-p.

Jitter in a reference clock is made up of deterministic jitter (arising from spurious signals due to supply noise or mixing from other outputs or from the reference input) and random jitter (usually due to thermal noise and other uncorrelated noise sources). A typical clock tree in a serial link system consists of clock generators and fanout buffers. The allowable reference clock jitter of 5.43 ps, p-p is needed at the output of the fanout buffer. Modern fanout buffers have low additive random jitter (less than 100 fs, rms) with no substantial contribution to the deterministic jitter. Therefore, the clock generator and fanout buffer contribute to the random jitter while the primary contributor to the deterministic jitter is the clock generator. Rule of thumb, for modern clock generators, is to allocate 25% of allowable reference clock jitter to the deterministic jitter and 75% to the random jitter. This amounts to an allowable deterministic jitter of 1.36 ps, p-p and an allowable random jitter of 4.07 ps, p-p. For serial link systems that need to meet a bit error rate (BER) of 10^{-12} , the allowable random jitter in root-mean-square is 0.29 ps, rms. This is calculated by dividing the p-p jitter by 14 for a BER of 10^{-12} . Accounting for random jitter from the fanout buffer, the random jitter needed from the clock generator is 0.27 ps, rms. This is calculated by the root-mean-square subtraction from the desired jitter at the fanout buffer's output assuming 100 fs, rms of additive jitter from the fanout buffer.

With careful frequency planning techniques, like spur optimization (covered in the Spur Mitigation Techniques section) and on-chip LDOs to suppress supply noise, the LMK61PD0A2 is able to generate clock outputs with deterministic jitter that is below 1 ps, p-p and random jitter that is below 0.2 ps, rms. This gives the serial link system with additional margin on the allowable transmit jitter resulting in a BER better than 10^{-12} .

Typical Application (continued)

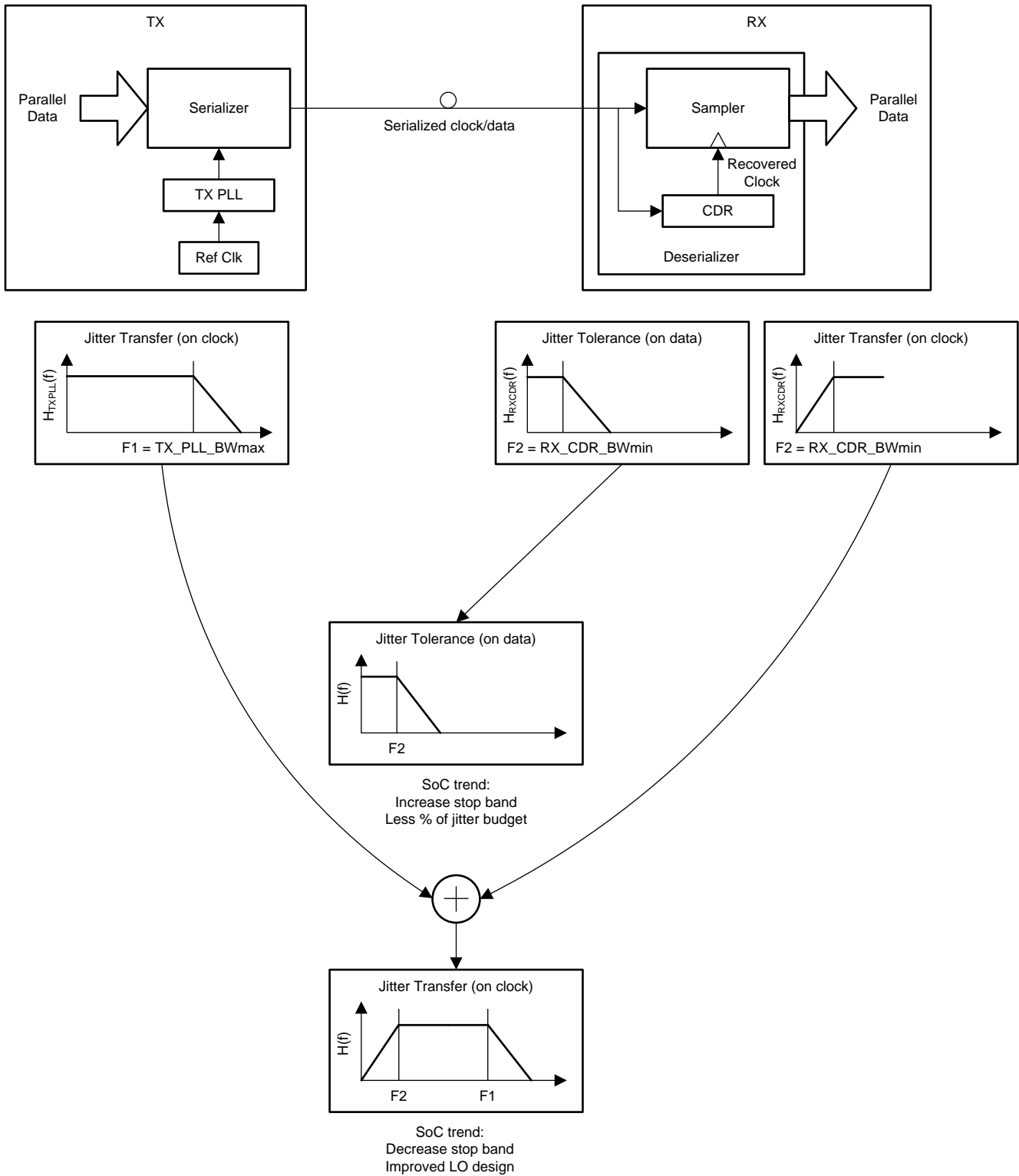


Figure 15. Dependence of Clock Jitter in Serial Links

11 Power Supply Recommendations

For best electrical performance of LMK61PD0A2, it is preferred to utilize a combination of 10 uF, 1 uF and 0.1 uF on its power supply bypass network. It is also recommended to utilize component side mounting of the power supply bypass capacitors and it is best to use 0201 or 0402 body size capacitors to facilitate signal routing. Keep the connections between the bypass capacitors and the power supply on the device as short as possible. Ground the other side of the capacitor using a low impedance connection to the ground plane. [Figure 16](#) shows the layout recommendation for power supply decoupling of LMK61PD0A2.

12 Layout

12.1 Layout Guidelines

The following sections provides recommendations for board layout, solder reflow profile and power supply bypassing when using LMK61PD0A2 to ensure good thermal / electrical performance and overall signal integrity of entire system.

12.1.1 Ensuring Thermal Reliability

The LMK61PD0A2 is a high performance device. Therefore careful attention must be paid to device configuration and printed circuit board (PCB) layout with respect to power consumption. The ground pin needs to be connected to the ground plane of the PCB through three vias or more, as shown in [Figure 16](#), to maximize thermal dissipation out of the package.

[Equation 1](#) describes the relationship between the PCB temperature around the LMK61PD0A2 and its junction temperature.

$$T_B = T_J - \Psi_{JB} * P$$

where

- T_B : PCB temperature around the LMK61PD0A2
 - T_J : Junction temperature of LMK61PD0A2
 - Ψ_{JB} : Junction-to-board thermal resistance parameter of LMK61PD0A2 (36.7°C/W without airflow)
 - P : On-chip power dissipation of LMK61PD0A2
- (1)

In order to ensure that the maximum junction temperature of LMK61PD0A2 is below 125°C, it can be calculated that the maximum PCB temperature without airflow should be at 100°C or below when the device is optimized for best performance resulting in maximum on-chip power dissipation of 0.68 W.

12.1.2 Best Practices for Signal Integrity

For best electrical performance and signal integrity of entire system with LMK61PD0A2, it is recommended to route vias into decoupling capacitors and then into the LMK61PD0A2. It is also recommended to increase the via count and width of the traces wherever possible. These steps ensure lowest impedance and shortest path for high frequency current flow. [Figure 16](#) shows the layout recommendation for LMK61PD0A2.

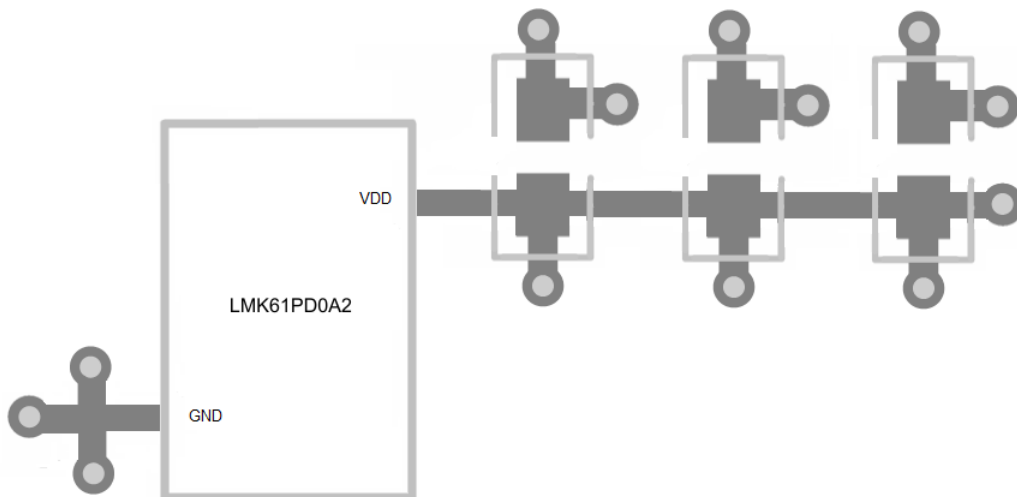


Figure 16. LMK61PD0A2 Layout Recommendation for Power Supply and Ground

Layout Guidelines (接下页)

12.1.3 Recommended Solder Reflow Profile

It is recommended to follow the solder paste supplier's recommendations to optimize flux activity and to achieve proper melting temperatures of the alloy within the guidelines of J-STD-20. It is preferable for the LMK61PD0A2 to be processed with the lowest peak temperature possible while also remaining below the components peak temperature rating as listed on the MSL label. The exact temperature profile would depend on several factors including maximum peak temperature for the component as rated on the MSL label, Board thickness, PCB material type, PCB geometries, component locations, sizes, densities within PCB, as well solder manufactures recommended profile, and capability of the reflow equipment to as confirmed by the SMT assembly operation.

13 器件和文档支持

13.1 社区资源

The following links connect to TI community resources. Linked contents are provided "AS IS" by the respective contributors. They do not constitute TI specifications and do not necessarily reflect TI's views; see TI's [Terms of Use](#).

TI E2E™ Online Community *TI's Engineer-to-Engineer (E2E) Community*. Created to foster collaboration among engineers. At [e2e.ti.com](#), you can ask questions, share knowledge, explore ideas and help solve problems with fellow engineers.

Design Support *TI's Design Support* Quickly find helpful E2E forums along with design support tools and contact information for technical support.

13.2 商标

E2E is a trademark of Texas Instruments.

13.3 静电放电警告



这些装置包含有限的内置 ESD 保护。存储或装卸时，应将导线一起截短或将装置放置于导电泡棉中，以防止 MOS 门极遭受静电损伤。

13.4 Glossary



[SLYZ022](#) — *TI Glossary*.

This glossary lists and explains terms, acronyms, and definitions.

14 机械、封装和可订购信息

以下页中包括机械、封装和可订购信息。 这些信息是针对指定器件可提供的最新数据。 这些数据会在无通知且不对本文档进行修订的情况下发生改变。 欲获得该数据表的浏览器版本，请查阅左侧的导航栏。

PACKAGING INFORMATION

Orderable Device	Status (1)	Package Type	Package Drawing	Pins	Package Qty	Eco Plan (2)	Lead finish/ Ball material (6)	MSL Peak Temp (3)	Op Temp (°C)	Device Marking (4/5)	Samples
LMK61PD0A2-SIAR	ACTIVE	QFM	SIA	8	2500	RoHS & Green	NIAU	Level-3-260C-168 HR	-40 to 85	LMK61 PD0A2	
LMK61PD0A2-SIAT	ACTIVE	QFM	SIA	8	250	RoHS & Green	NIAU	Level-3-260C-168 HR	-40 to 85	LMK61 PD0A2	

(1) The marketing status values are defined as follows:

ACTIVE: Product device recommended for new designs.

LIFEBUY: TI has announced that the device will be discontinued, and a lifetime-buy period is in effect.

NRND: Not recommended for new designs. Device is in production to support existing customers, but TI does not recommend using this part in a new design.

PREVIEW: Device has been announced but is not in production. Samples may or may not be available.

OBsolete: TI has discontinued the production of the device.

(2) **RoHS:** TI defines "RoHS" to mean semiconductor products that are compliant with the current EU RoHS requirements for all 10 RoHS substances, including the requirement that RoHS substance do not exceed 0.1% by weight in homogeneous materials. Where designed to be soldered at high temperatures, "RoHS" products are suitable for use in specified lead-free processes. TI may reference these types of products as "Pb-Free".

RoHS Exempt: TI defines "RoHS Exempt" to mean products that contain lead but are compliant with EU RoHS pursuant to a specific EU RoHS exemption.

Green: TI defines "Green" to mean the content of Chlorine (Cl) and Bromine (Br) based flame retardants meet JS709B low halogen requirements of <=1000ppm threshold. Antimony trioxide based flame retardants must also meet the <=1000ppm threshold requirement.

(3) MSL, Peak Temp. - The Moisture Sensitivity Level rating according to the JEDEC industry standard classifications, and peak solder temperature.

(4) There may be additional marking, which relates to the logo, the lot trace code information, or the environmental category on the device.

(5) Multiple Device Markings will be inside parentheses. Only one Device Marking contained in parentheses and separated by a "~" will appear on a device. If a line is indented then it is a continuation of the previous line and the two combined represent the entire Device Marking for that device.

(6) Lead finish/Ball material - Orderable Devices may have multiple material finish options. Finish options are separated by a vertical ruled line. Lead finish/Ball material values may wrap to two lines if the finish value exceeds the maximum column width.

Important Information and Disclaimer:The information provided on this page represents TI's knowledge and belief as of the date that it is provided. TI bases its knowledge and belief on information provided by third parties, and makes no representation or warranty as to the accuracy of such information. Efforts are underway to better integrate information from third parties. TI has taken and continues to take reasonable steps to provide representative and accurate information but may not have conducted destructive testing or chemical analysis on incoming materials and chemicals. TI and TI suppliers consider certain information to be proprietary, and thus CAS numbers and other limited information may not be available for release.

In no event shall TI's liability arising out of such information exceed the total purchase price of the TI part(s) at issue in this document sold by TI to Customer on an annual basis.

TAPE AND REEL INFORMATION

QUADRANT ASSIGNMENTS FOR PIN 1 ORIENTATION IN TAPE


*All dimensions are nominal

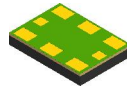
Device	Package Type	Package Drawing	Pins	SPQ	Reel Diameter (mm)	Reel Width W1 (mm)	A0 (mm)	B0 (mm)	K0 (mm)	P1 (mm)	W (mm)	Pin1 Quadrant
LMK61PD0A2-SIAR	QFM	SIA	8	2500	330.0	16.4	5.5	7.5	1.5	8.0	16.0	Q1
LMK61PD0A2-SIAT	QFM	SIA	8	250	178.0	16.4	5.5	7.5	1.5	8.0	16.0	Q1

TAPE AND REEL BOX DIMENSIONS


*All dimensions are nominal

Device	Package Type	Package Drawing	Pins	SPQ	Length (mm)	Width (mm)	Height (mm)
LMK61PD0A2-SIAR	QFM	SIA	8	2500	356.0	356.0	36.0
LMK61PD0A2-SIAT	QFM	SIA	8	250	208.0	191.0	35.0

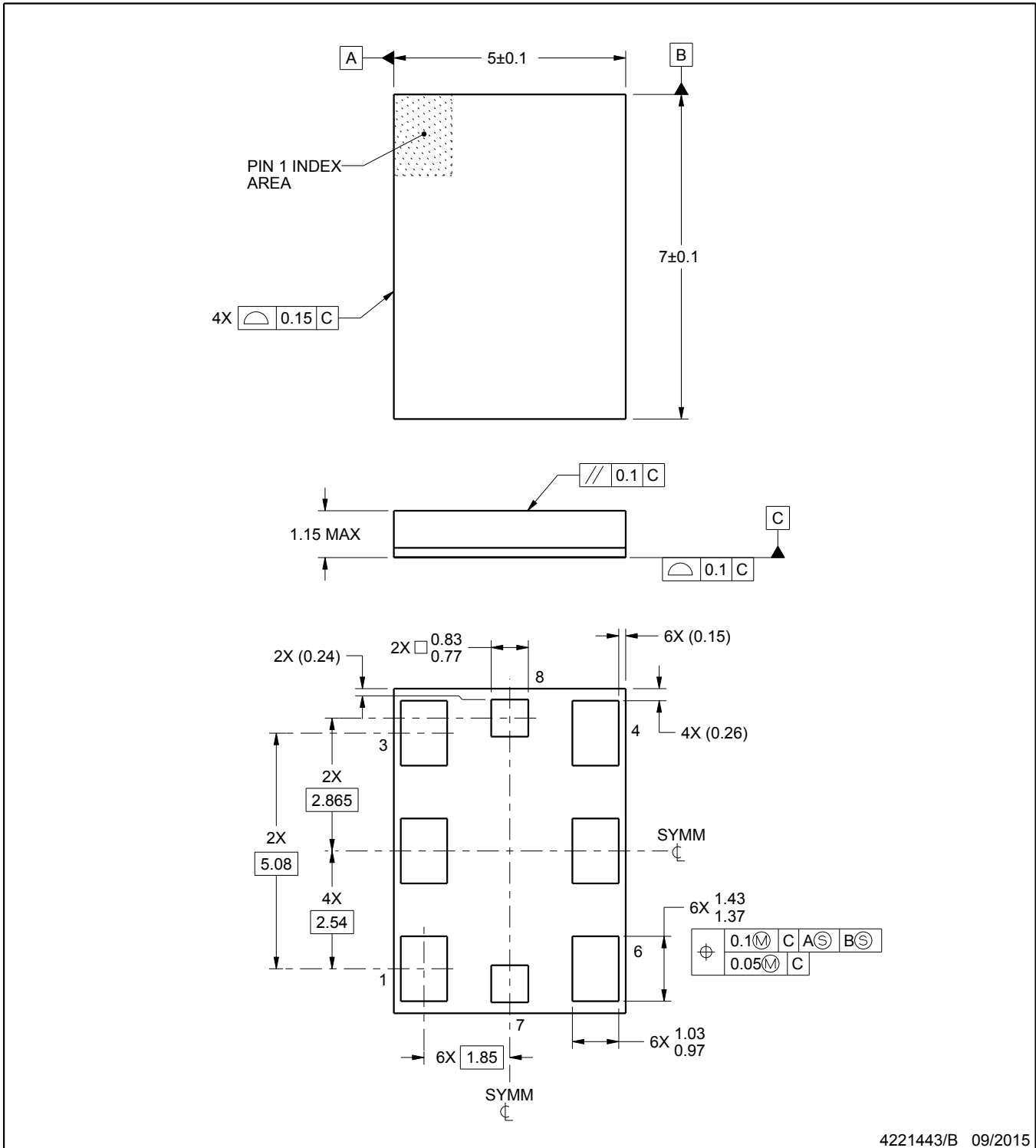
SIA0008B



PACKAGE OUTLINE

QFM - 1.15 mm max height

QUAD FLAT MODULE



4221443/B 09/2015

NOTES:

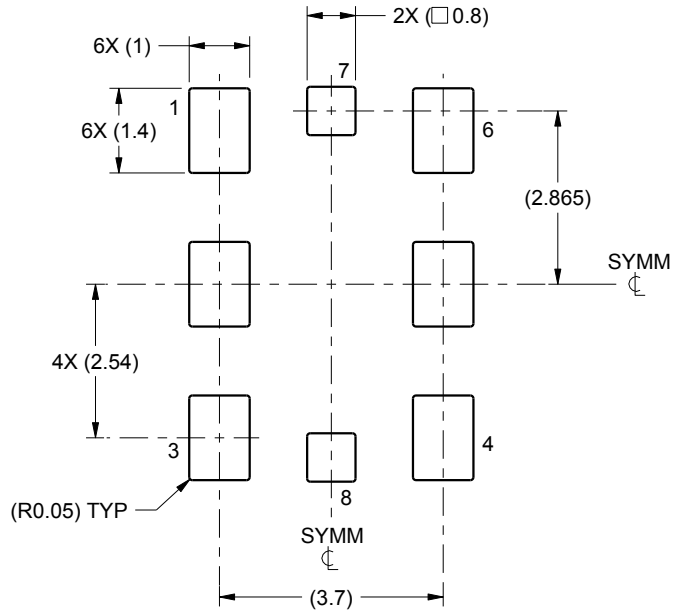
1. All linear dimensions are in millimeters. Any dimensions in parenthesis are for reference only. Dimensioning and tolerancing per ASME Y14.5M.
2. This drawing is subject to change without notice.

EXAMPLE BOARD LAYOUT

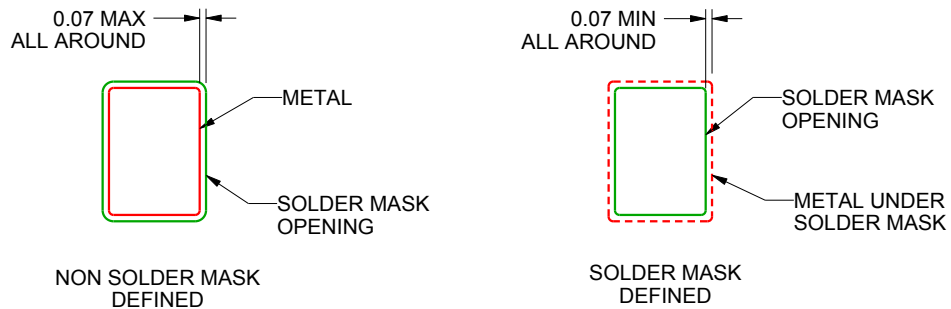
SIA0008B

QFM - 1.15 mm max height

QUAD FLAT MODULE



LAND PATTERN EXAMPLE
1:1 RATIO WITH PACKAGE SOLDER PADS
SCALE:8X



SOLDER MASK DETAILS
NOT TO SCALE

4221443/B 09/2015

NOTES: (continued)

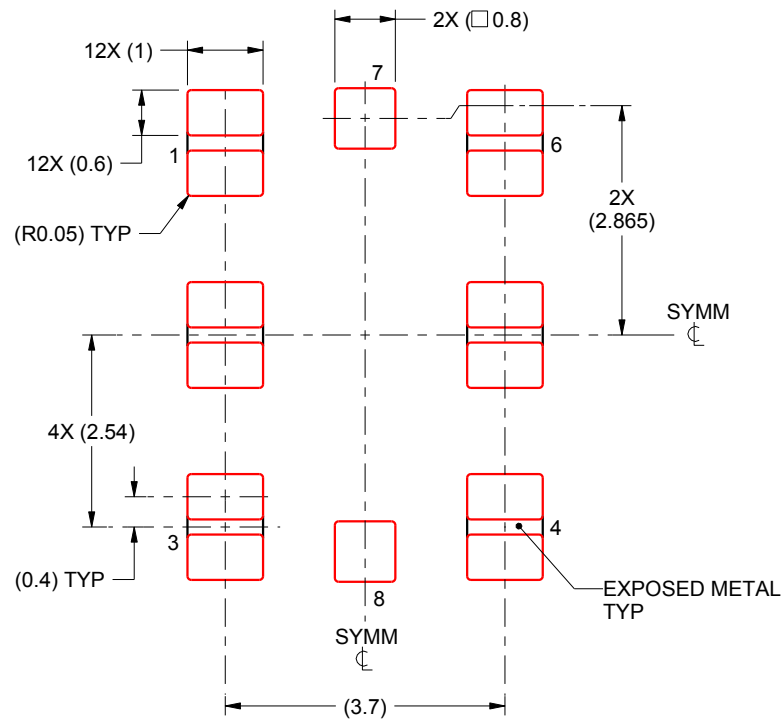
3. For more information, see Texas Instruments literature number SLUA271 (www.ti.com/lit/sluea271).

EXAMPLE STENCIL DESIGN

SIA0008B

QFM - 1.15 mm max height

QUAD FLAT MODULE



SOLDER PASTE EXAMPLE
BASED ON 0.125 mm THICK STENCIL
PRINTED SOLDER COVERAGE BY AREA
PADS 1-3 & 4-6: 86%
SCALE:10X

4221443/B 09/2015

NOTES: (continued)

4. Laser cutting apertures with trapezoidal walls and rounded corners may offer better paste release. IPC-7525 may have alternate design recommendations.

重要声明和免责声明

TI“按原样”提供技术和可靠性数据（包括数据表）、设计资源（包括参考设计）、应用或其他设计建议、网络工具、安全信息和其他资源，不保证没有瑕疵且不做任何明示或暗示的担保，包括但不限于对适销性、某特定用途方面的适用性或不侵犯任何第三方知识产权的暗示担保。

这些资源可供使用 TI 产品进行设计的熟练开发人员使用。您将自行承担以下全部责任：(1) 针对您的应用选择合适的 TI 产品，(2) 设计、验证并测试您的应用，(3) 确保您的应用满足相应标准以及任何其他功能安全、信息安全、监管或其他要求。

这些资源如有变更，恕不另行通知。TI 授权您仅可将这些资源用于研发本资源所述的 TI 产品的应用。严禁对这些资源进行其他复制或展示。您无权使用任何其他 TI 知识产权或任何第三方知识产权。您应全额赔偿因在这些资源的使用中对 TI 及其代表造成的任何索赔、损害、成本、损失和债务，TI 对此概不负责。

TI 提供的产品受 [TI 的销售条款](#) 或 [ti.com](#) 上其他适用条款/TI 产品随附的其他适用条款的约束。TI 提供这些资源并不会扩展或以其他方式更改 TI 针对 TI 产品发布的适用的担保或担保免责声明。

TI 反对并拒绝您可能提出的任何其他或不同的条款。

邮寄地址：Texas Instruments, Post Office Box 655303, Dallas, Texas 75265

Copyright © 2024，德州仪器 (TI) 公司