

UCC21220、UCC21220A 具有高噪声抗扰度的 4A/6A 双通道基本隔离式和功能隔离式栅极驱动器

1 特性

- 通用：双通道低侧、双通道高侧或半桥驱动器
- 支持基本隔离和功能隔离
- CMTI 大于 125V/ns
- 高达 4A 峰值拉电流和 6A 峰值灌电流输出
- 开关参数：
 - 33ns 典型传播延迟
 - 5ns 最大脉宽失真
 - 10μs 最大 VDD 上电延迟
- 高达 25V 的 VDD 输出驱动电源
 - 5V 和 8V VDD UVLO 选项
- 结温范围 (T_j) - 40°C 至 150°C
- 窄体 SOIC-16 (D) 封装
- TTL 和 CMOS 兼容输入
- 安全相关认证：
 - 4242V_{PK} 隔离，符合 DIN EN IEC 60747-17 (VDE 0884-17) 标准 (计划)
 - 符合 UL 1577 标准且长达 1 分钟的 3000V_{RMS} 隔离 (计划)
 - 符合 GB4943.1-2022 标准的 CQC 认证 (计划)

2 应用

- 服务器电源
- 光伏逆变器、光伏电源优化器
- 电信砖型转换器
- 无线基础设施
- 工业运输和机器人

3 说明

UCC21220 和 UCC21220A 器件是具有 4A 峰值拉电流和 6A 峰值灌电流的基本隔离式和功能隔离式双通道栅极驱动器。它们设计用于在 PFC、隔离式直流/直流和同步整流应用中驱动功率 MOSFET 和 GaNFET，借助超过 125V/ns 的共模瞬态抗扰度 (CMTI)，可实现快速开关性能和稳健的接地反弹保护。

这些器件可以配置为两个低侧驱动器、两个高侧驱动器或半桥驱动器。可以将两个输出并联，以形成单个驱动器，由于具有一流的延迟匹配性能，因此可以在重负载条件下使驱动强度加倍。

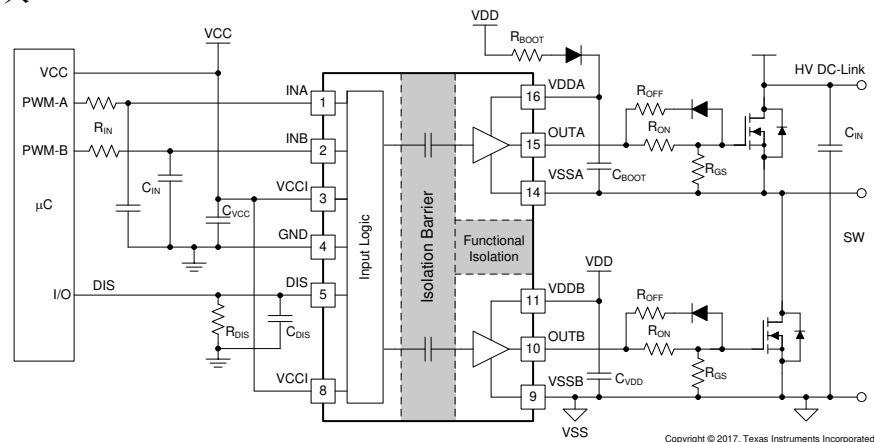
保护特性包括以下几项：DIS 引脚设置为高电平时会同断两个输出，所有电源都具有欠压锁定 (UVLO) 功能，有源下拉保护功能会在未上电或悬空时将输出电压箝位在 2V 以下。

凭借这些特性，这些器件可以在各种电源应用中实现高效率、高功率密度和稳健性。

器件信息

| 器件型号 ⁽²⁾ | 封装 ⁽¹⁾ | UVLO |
|---------------------|-------------------|------|
| UCC21220 | D (SOIC 16) | 8V |
| UCC21220A | D (SOIC 16) | 5V |

- (1) 有关所有可用封装，请参阅节 14。
 (2) 有关器件的详细比较，请参阅节 4。



典型应用



Table of Contents

| | | | |
|---|----|--|----|
| 1 特性 | 1 | 8 Detailed Description | 17 |
| 2 应用 | 1 | 8.1 Overview..... | 17 |
| 3 说明 | 1 | 8.2 Functional Block Diagram..... | 17 |
| 4 Device Comparison Table | 3 | 8.3 Feature Description..... | 18 |
| 5 Pin Configuration and Functions | 3 | 8.4 Device Functional Modes..... | 21 |
| 6 Specifications | 4 | 9 Application and Implementation | 22 |
| 6.1 Absolute Maximum Ratings..... | 4 | 9.1 Application Information..... | 22 |
| 6.2 ESD Ratings..... | 4 | 9.2 Typical Application..... | 22 |
| 6.3 Recommended Operating Conditions..... | 4 | 10 Power Supply Recommendations | 33 |
| 6.4 Thermal Information..... | 5 | 11 Layout | 34 |
| 6.5 Power Ratings..... | 5 | 11.1 Layout Guidelines..... | 34 |
| 6.6 Insulation Specifications..... | 6 | 11.2 Layout Example..... | 35 |
| 6.7 Safety-Limiting Values..... | 7 | 12 Device and Documentation Support | 37 |
| 6.8 Electrical Characteristics..... | 8 | 12.1 第三方产品免责声明..... | 37 |
| 6.9 Switching Characteristics..... | 9 | 12.2 Documentation Support..... | 37 |
| 6.10 Thermal Derating Curves..... | 10 | 12.3 Receiving Notification of Documentation Updates.. | 37 |
| 6.11 Typical Characteristics..... | 11 | 12.4 支持资源..... | 37 |
| 7 Parameter Measurement Information | 14 | 12.5 Trademarks..... | 37 |
| 7.1 Minimum Pulses..... | 14 | 12.6 静电放电警告..... | 37 |
| 7.2 Propagation Delay and Pulse Width Distortion..... | 14 | 12.7 术语表..... | 37 |
| 7.3 Rising and Falling Time..... | 14 | 13 Revision History | 37 |
| 7.4 Input and Disable Response Time..... | 15 | 14 Mechanical, Packaging, and Orderable Information | 40 |
| 7.5 Power-up UVLO Delay to OUTPUT..... | 15 | | |
| 7.6 CMTI Testing..... | 16 | | |

4 Device Comparison Table

| DEVICE OPTIONS | UVLO | RECOMMENDED VDD SUPPLY MINIMUM | PACKAGE |
|----------------|------|--------------------------------|---------------------|
| UCC21220D | 8-V | 9.2-V | Narrow Body SOIC-16 |
| UCC21220AD | 5-V | 6.5-V | Narrow Body SOIC-16 |

5 Pin Configuration and Functions

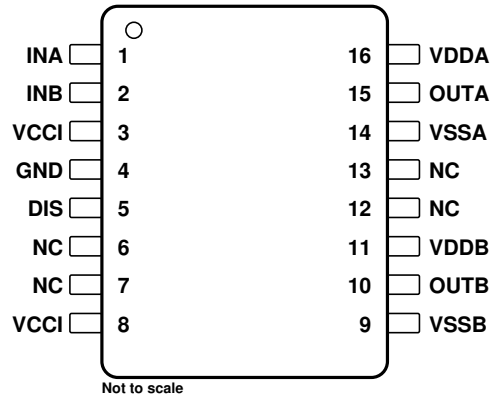


图 5-1. D Package 16-Pin SOIC Top View

表 5-1. Pin Functions

| PIN | NO. | TYPE ⁽¹⁾ | DESCRIPTION |
|-------|-----|---------------------|--|
| DIS | 5 | I | Disables both driver outputs if asserted high or left open, enables if set low. This pin is pulled high internally if left open. It is recommended to tie this pin to ground if not used to achieve better noise immunity. Bypass using a ≈ 1 -nF low ESR/ESL capacitor close to DIS pin when connecting to a μ C with distance. |
| GND | 4 | P | Primary-side ground reference. All signals in the primary side are referenced to this ground. |
| INA | 1 | I | Input signal for A channel. INA input has a TTL/CMOS compatible input threshold. This pin is pulled low internally if left open. It is recommended to tie this pin to ground if not used to achieve better noise immunity. |
| INB | 2 | I | Input signal for B channel. INB input has a TTL/CMOS compatible input threshold. This pin is pulled low internally if left open. It is recommended to tie this pin to ground if not used to achieve better noise immunity. |
| NC | 6 | | No internal connection |
| | 7 | | |
| | 12 | | |
| | 13 | | |
| OUTA | 15 | O | Output of driver A. Connect to the gate of the A channel FET or IGBT. |
| OUTB | 10 | O | Output of driver B. Connect to the gate of the B channel FET or IGBT. |
| VCCI | 3 | P | Primary-side supply voltage. Locally decoupled to GND using a low ESR/ESL capacitor located as close to the device as possible. |
| VCCI | 8 | P | This pin is internally shorted to pin 3. |
| VDDA | 16 | P | Secondary-side power for driver A. Locally decoupled to VSSA using a low ESR/ESL capacitor located as close to the device as possible. |
| VDDDB | 11 | P | Secondary-side power for driver B. Locally decoupled to VSSB using a low ESR/ESL capacitor located as close to the device as possible. |
| VSSA | 14 | P | Ground for secondary-side driver A. Ground reference for secondary side A channel. |
| VSSB | 9 | P | Ground for secondary-side driver B. Ground reference for secondary side B channel. |

(1) P = power, G = ground, I = input, O = output

6 Specifications

6.1 Absolute Maximum Ratings

over operating free-air temperature range (unless otherwise noted)⁽¹⁾

| | | MIN | MAX | UNIT |
|---|---|-------|------------------------------------|------|
| Input bias pin supply voltage | VCCI to GND | - 0.3 | 6 | V |
| Driver bias supply | VDDA-VSSA, VDDB-VSSB | - 0.3 | 30 | V |
| Output signal voltage | OUTA to VSSA, OUTB to VSSB | - 0.3 | $V_{VDDA}+0.3$, $V_{VDDB}+0.3$ | V |
| | OUTA to VSSA, OUTB to VSSB, Transient for 200 ns ⁽³⁾ | - 2 | $V_{VDDA}+0.3$, $V_{VDDB}+0.3$ | V |
| Input signal voltage | INA, INB, DIS to GND | - 0.3 | $V_{VCCI}+0.3$ | V |
| Junction temperature, T _J ⁽²⁾ | | - 40 | 150 | °C |
| Storage temperature, T _{stg} | | - 65 | 150 | °C |

- (1) Operation outside the Absolute Maximum Ratings may cause permanent device damage. Absolute Maximum Ratings do not imply functional operation of the device at these or any other conditions beyond those listed under Recommended Operating Conditions. If outside the Recommended Operating Conditions but within the Absolute Maximum Ratings, the device may not be fully functional, and this may affect device reliability, functionality, performance, and shorten the device lifetime.
- (2) To help maintain the recommended operating conditions for T_J, see the [§ 6.4](#).
- (3) Values are verified by characterization and are not production tested.

6.2 ESD Ratings

| | | VALUE | UNIT |
|--|--|-------|------|
| V _(ESD) Electrostatic discharge | Human-body model (HBM), per ANSI/ESDA/JEDEC JS-001 ⁽¹⁾ | ±2000 | V |
| | Charged-device model (CDM), per JEDEC specification JESD22-C101 ⁽²⁾ | ±1000 | |

- (1) JEDEC document JEP155 states that 500-V HBM allows safe manufacturing with a standard ESD control process.
- (2) JEDEC document JEP157 states that 250-V CDM allows safe manufacturing with a standard ESD control process.

6.3 Recommended Operating Conditions

Over operating free-air temperature range (unless otherwise noted)

| | | MIN | MAX | UNIT | |
|----------------|---------------------------|-----------------------------|-----|------|---|
| VCCI | VCCI Input supply voltage | 3 | 5.5 | V | |
| VDDA, VDDB | Driver output bias supply | UCC21220 – 8V UVLO Version | 9.2 | 25 | V |
| | | UCC21220A – 5V UVLO Version | 6.5 | 25 | V |
| T _J | Junction Temperature | - 40 | 150 | °C | |

6.4 Thermal Information

| THERMAL METRIC ⁽¹⁾ | | UCC21220, UCC21220A | |
|-------------------------------|--|------------------------|------|
| | | D (SOIC) | |
| | | 16 PINS | |
| | | | UNIT |
| $R_{\theta JA}$ | Junction-to-ambient thermal resistance | 80.2 | °C/W |
| $R_{\theta JC(top)}$ | Junction-to-case (top) thermal resistance | 36.6 | °C/W |
| $R_{\theta JB}$ | Junction-to-board thermal resistance | 45 | °C/W |
| ψ_{JT} | Junction-to-top characterization parameter | 28 | °C/W |
| ψ_{JB} | Junction-to-board characterization parameter | 44.3 | °C/W |

(1) For more information about traditional and new thermal metrics, see the application report, [Semiconductor and IC Package Thermal Metrics \(SPRA953\)](#).

6.5 Power Ratings

| | | VALUE | UNIT |
|------------------|---------------------------------------|-------|------|
| P_D | Power dissipation | 950 | mW |
| P_{DI} | Power dissipation by transmitter side | 50 | mW |
| P_{DA}, P_{DB} | Power dissipation by each driver side | 450 | mW |

$V_{CCI} = 5\text{ V}, V_{DDA/B} = 20\text{ V}, I_{NA/B} = 3.3\text{ V},$
460kHz 50% duty cycle square wave 2.2-nF
load, $T_J = 150^\circ\text{C}, T_A = 25^\circ\text{C}$

6.6 Insulation Specifications

| PARAMETER | TEST CONDITIONS | VALUE | UNIT |
|--|--|---|-------------------------------------|
| CLR | External clearance ⁽¹⁾ | Shortest pin-to-pin distance through air | > 4 mm |
| CPG | External creepage ⁽¹⁾ | Shortest pin-to-pin distance across the package surface | > 4 mm |
| DTI | Distance through the insulation | Minimum internal gap (internal clearance) | >17 μm |
| CTI | Comparative tracking index | DIN EN 60112 (VDE 0303-11); IEC 60112 | > 400 V |
| | Material group | | II |
| Overvoltage category per IEC 60664-1 | Rated mains voltage ≤ 150 V _{RMS} | | I-IV |
| | Rated mains voltage ≤ 300 V _{RMS} | | I-III |
| | Rated mains voltage ≤ 600 V _{RMS} | | I-II |
| DIN EN IEC 60747-17 (VDE 0884-17)⁽²⁾ | | | |
| V _{IORM} | Maximum repetitive peak isolation voltage | AC voltage (bipolar) | 1200 ⁽⁶⁾ V _{PK} |
| V _{IOWM} | Maximum working isolation voltage | AC voltage (sine wave); time dependent dielectric breakdown (TDDB) test; | 850 ⁽⁶⁾ V _{RMS} |
| | | DC Voltage | 1200 ⁽⁶⁾ V _{DC} |
| V _{IOTM} | Maximum transient isolation voltage | V _{TEST} = V _{IOTM} , t = 60 s (qualification); V _{TEST} = 1.2 × V _{IOTM} , t = 1 s (100% production) | 4242 V _{PK} |
| V _{IMP} | Maximum impulse voltage | Tested in air, 1.2/50-μs waveform per IEC 62368-1 | 5000 V _{PK} |
| V _{IOSM} | Maximum surge isolation voltage ⁽³⁾ | V _{IOSM} ≥ 1.3 × V _{IMP} ; Tested in oil (qualification test), 1.2/50-μs waveform per IEC 62368-1 | 6500 V _{PK} |
| q _{pd} | Apparent charge ⁽⁴⁾ | Method a, After I/O safety test subgroup 2/3, V _{ini} = V _{IOTM} , t _{ini} = 60 s; V _{pd(m)} = 1.2 × V _{IORM} , t _m = 10 s | <5 pC |
| | | Method a, After environmental tests subgroup 1, V _{ini} = V _{IOTM} , t _{ini} = 60 s; V _{pd(m)} = 1.2 × V _{IORM} , t _m = 10 s | <5 pC |
| | | Method b1; At routine test (100% production) and preconditioning (type test) V _{ini} = 1.2 × V _{IOTM} ; t _{ini} = 1 s; V _{pd(m)} = 1.5 × V _{IORM} , t _m = 1 s | <5 pC |
| C _{IO} | Barrier capacitance, input to output ⁽⁵⁾ | V _{IO} = 0.4 sin (2 π ft), f = 1 MHz | ~1.2 pF |
| R _{IO} | Isolation resistance, input to output ⁽⁵⁾ | V _{IO} = 500 V at T _A = 25°C | > 10 ¹² Ω |
| | | V _{IO} = 500 V at 100°C ≤ T _A ≤ 125°C | > 10 ¹¹ Ω |
| | | V _{IO} = 500 V at T _S = 150°C | > 10 ⁹ Ω |
| | Pollution degree | | 2 |
| | Climatic category | | 40/125/21 |
| UL 1577 | | | |
| V _{ISO} | Withstand isolation voltage | V _{TEST} = V _{ISO} = 3000 V _{RMS} , t = 60 s. (qualification), V _{TEST} = 1.2 × V _{ISO} = 3600 V _{RMS} , t = 1 s (100% production) | 3000 V _{RMS} |

- (1) Creepage and clearance requirements should be applied according to the specific equipment isolation standards of an application. Care should be taken to maintain the creepage and clearance distance of a board design to ensure that the mounting pads of the isolator on the printed-circuit board do not reduce this distance. Creepage and clearance on a printed-circuit board become equal in certain cases. Techniques such as inserting grooves, ribs, or both on a printed circuit board are used to help increase these specifications.
- (2) This coupler is suitable for basic electrical insulation only within the maximum operating ratings. Compliance with the safety ratings shall be ensured by means of suitable protective circuits.
- (3) Testing is carried out in air or oil to determine the intrinsic surge immunity of the isolation barrier.
- (4) Apparent charge is electrical discharge caused by a partial discharge (pd).
- (5) All pins on each side of the barrier tied together creating a two-pin device.
- (6) System isolation working voltages need to be verified according to application parameters.

6.7 Safety-Limiting Values

Safety limiting intends to minimize potential damage to the isolation barrier upon failure of input or output circuitry.

| PARAMETER | TEST CONDITIONS | SIDE | MIN | TYP | MAX | UNIT |
|---|---|-----------------------|-----|-----|------|------|
| I _S Safety output supply current | R _{θJA} = 80.2°C/W, V _{VDDA/B} = 15 V, T _J = 150°C, T _A = 25°C See 图 6-1 | DRIVER A, DRIVER B | | | 50 | mA |
| | R _{θJA} = 80.2°C/W, V _{VDDA/B} = 25 V, T _J = 150°C, T _A = 25°C See 图 6-1 | | | | 30 | |
| P _S Safety supply power | R _{θJA} = 80.2°C/W, T _J = 150°C, T _A = 25°C See 图 6-2 | INPUT | | | 50 | mW |
| | | DRIVER A | | | 750 | |
| | | DRIVER B | | | 750 | |
| | | TOTAL | | | 1550 | |
| T _S Safety temperature ⁽¹⁾ | | | | | 150 | °C |

- (1) The maximum safety temperature, T_S, has the same value as the maximum junction temperature, T_J, specified for the device. The I_S and P_S parameters represent the safety current and safety power respectively. The maximum limits of I_S and P_S should not be exceeded. These limits vary with the ambient temperature, T_A.

The junction-to-air thermal resistance, R_{θJA}, in the [表 6.4](#) table is that of a device installed on a high-K test board for leaded surface-mount packages. Use these equations to calculate the value for each parameter:

$$T_J = T_A + R_{\theta JA} \times P, \text{ where } P \text{ is the power dissipated in the device.}$$

$$T_{J(max)} = T_S = T_A + R_{\theta JA} \times P_S, \text{ where } T_{J(max)} \text{ is the maximum allowed junction temperature.}$$

$$P_S = I_S \times V_I, \text{ where } V_I \text{ is the maximum input voltage.}$$

6.8 Electrical Characteristics

$V_{VCCI} = 3.3\text{ V}$ or 5.0 V , $0.1\text{-}\mu\text{F}$ capacitor from V_{CCI} to GND and $1\mu\text{F}$ capacitor from $V_{DDA/B}$ to $V_{SSA/B}$, $V_{VDDA} = V_{VDDB} = 12\text{ V}$, $1\text{-}\mu\text{F}$ capacitor from V_{DDA} and V_{DDB} to V_{SSA} and V_{SSB} , $T_A = -40^\circ\text{C}$ to $+125^\circ\text{C}$, unless otherwise noted^{(1) (2)}.

| PARAMETER | TEST CONDITIONS | MIN | TYP | MAX | UNIT | |
|--|--|--|------|-----|------|----------|
| SUPPLY CURRENTS | | | | | | |
| I_{VCCI} | V_{CCI} quiescent current | $V_{INA} = 0\text{ V}$, $V_{INB} = 0\text{ V}$ | 1.4 | 2.0 | mA | |
| I_{VDDA} , I_{VDDB} | V_{DDA} and V_{DDB} quiescent current | $V_{INA} = 0\text{ V}$, $V_{INB} = 0\text{ V}$ | 1.2 | 2.0 | mA | |
| I_{VCCI} | V_{CCI} operating current | ($f = 500\text{ kHz}$) current per channel | 2.7 | 3.2 | mA | |
| I_{VDDA} , I_{VDDB} | V_{DDA} and V_{DDB} operating current | ($f = 500\text{ kHz}$) current per channel, V_{VDDA} , $V_{VDDB} = 12\text{ V}$ | 2.7 | 4.4 | mA | |
| VCC SUPPLY VOLTAGE UNDERVOLTAGE THRESHOLDS | | | | | | |
| V_{VCCI_ON} | UVLO Rising threshold | | 2.55 | 2.7 | 2.85 | V |
| V_{VCCI_OFF} | UVLO Falling threshold | | 2.35 | 2.5 | 2.65 | V |
| V_{VCCI_HYS} | UVLO Threshold hysteresis | | 0.2 | | | V |
| UCC21220A VDD SUPPLY VOLTAGE UNDERVOLTAGE THRESHOLDS (5-V UVLO Version) | | | | | | |
| V_{VDDA_ON} , V_{VDDB_ON} | UVLO Rising threshold | | 5.7 | 6.0 | 6.3 | V |
| V_{VDDA_OFF} , V_{VDDB_OFF} | UVLO Falling threshold | | 5.4 | 5.7 | 6.0 | V |
| V_{VDDA_HYS} , V_{VDDB_HYS} | UVLO Threshold hysteresis | | 0.3 | | | V |
| UCC21220 VDD SUPPLY VOLTAGE UNDERVOLTAGE THRESHOLDS (8-V UVLO Version) | | | | | | |
| V_{VDDA_ON} , V_{VDDB_ON} | UVLO Rising threshold | | 7.7 | 8.5 | 8.9 | V |
| V_{VDDA_OFF} , V_{VDDB_OFF} | UVLO Falling threshold | | 7.2 | 7.9 | 8.4 | V |
| V_{VDDA_HYS} , V_{VDDB_HYS} | UVLO Threshold hysteresis | | 0.6 | | | V |
| INA, INB AND DISABLE | | | | | | |
| V_{INAH} , V_{INBH} , V_{DISH} | Input high threshold voltage | | 2 | 2.3 | | V |
| V_{INAL} , V_{INBL} , V_{DISL} | Input low threshold voltage | | 0.8 | 1 | | V |
| V_{INA_HYS} , V_{INB_HYS} , V_{DIS_HYS} | Input threshold hysteresis | | 1 | | | V |
| OUTPUT | | | | | | |
| I_{OA+} , I_{OB+} | Peak output source current | $C_{VDD} = 10\text{ }\mu\text{F}$, $C_{LOAD} = 0.22\text{ }\mu\text{F}$, $f = 1\text{ kHz}$, bench measurement | -4 | | | A |
| I_{OA-} , I_{OB-} | Peak output sink current | $C_{VDD} = 10\text{ }\mu\text{F}$, $C_{LOAD} = 0.22\text{ }\mu\text{F}$, $f = 1\text{ kHz}$, bench measurement | 6 | | | A |
| R_{OHA} , R_{OHB} | Output resistance at high state | $I_{OUT} = -5\text{ mA}$, R_{OHA} , R_{OHB} do not represent drive pull-up performance. See t_{RISE} in 节 6.9 and 节 8.3.4 for more details. | 5 | | | Ω |
| R_{OLA} , R_{OLB} | Output resistance at low state | $I_{OUT} = 5\text{ mA}$ | 0.55 | | | Ω |
| V_{OAPDA} , V_{OAPDB} | Driver output (V_{OUTA} , V_{OUTB}) active pull down | V_{VDDA} and V_{VDDB} unpowered, I_{OUTA} , $I_{OUTB} = 200\text{ mA}$ | 1.6 | 2 | | V |

- (1) Current direction in the testing conditions are defined to be positive into the pin and negative out of the specified terminal (unless otherwise noted).
- (2) Parameters that has only typical values, are not production tested and guaranteed by design.

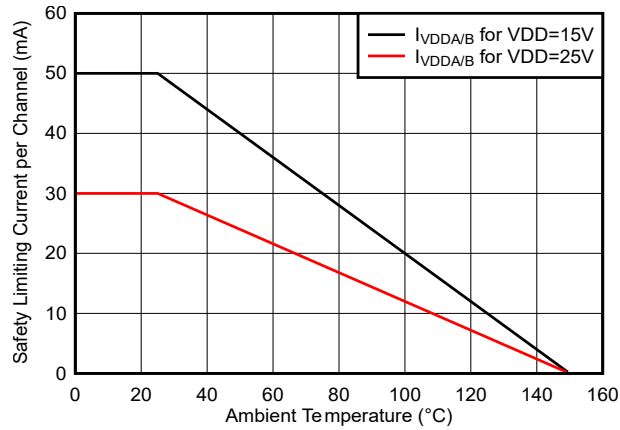
6.9 Switching Characteristics

$V_{VCCI} = 3.3\text{ V}$ or 5.5 V , $0.1\text{-}\mu\text{F}$ capacitor from V_{VCCI} to GND, $V_{VDDA} = V_{VDDB} = 12\text{ V}$, $1\text{-}\mu\text{F}$ capacitor from V_{VDDA} and V_{VDDB} to V_{SSA} and V_{SSB} , load capacitance $C_{OUT} = 0\text{ pF}$, $T_J = -40^\circ\text{C}$ to $+125^\circ\text{C}$, unless otherwise noted⁽¹⁾.

| PARAMETER | | TEST CONDITIONS | MIN | TYP | MAX | UNIT |
|-----------------------------|--|---|-----|-----|-----|---------------|
| t_{RISE} | Output rise time, see 图 7-4 | $C_{VDD} = 10\text{ }\mu\text{F}$, $C_{OUT} = 1.8\text{ nF}$, V_{VDDA} , $V_{VDDB} = 12\text{ V}$, $f = 1\text{ kHz}$ | | 8 | | ns |
| t_{FALL} | Output fall time, see 图 7-4 | $C_{VDD} = 10\text{ }\mu\text{F}$, $C_{OUT} = 1.8\text{ nF}$, V_{VDDA} , $V_{VDDB} = 12\text{ V}$, $f = 1\text{ kHz}$ | | 8 | | ns |
| t_{PWmin} | Minimum input pulse width that passes to output, see 图 7-1 and 图 7-2 | Output does not change the state if input signal less than t_{PWmin} | 4 | 12 | 30 | ns |
| t_{PDHL} | Propagation delay at falling edge, see 图 7-3 | INx high threshold, V_{INH} , to 10% of the output | 26 | 33 | 45 | ns |
| t_{PDLH} | Propagation delay at rising edge, see 图 7-3 | INx low threshold, V_{INL} , to 90% of the output | 26 | 33 | 45 | ns |
| t_{PWD} | Pulse width distortion in each channel, see 图 7-3 | $ t_{PDLHA} - t_{PDHLA} $, $ t_{PDLHB} - t_{PDHLB} $ | | | 5 | ns |
| t_{DM} | Propagation delays matching, $ t_{PDLHA} - t_{PDLHB} $, $ t_{PDHLA} - t_{PDHLB} $, see 图 7-3 | Input Pulse Width = 100ns, 500kHz, $T_J = -40^\circ\text{C}$ to -10°C | | | 6.5 | ns |
| | | Input Pulse Width = 100ns, 500kHz, $T_J = -10^\circ\text{C}$ to $+150^\circ\text{C}$ | | | 5 | ns |
| $t_{VCCI+ \text{ to } OUT}$ | VCCI Power-up Delay Time: UVLO Rise to OUTA, OUTB, See 图 7-6 | INA or INB tied to VCCI | 18 | 42 | 80 | μs |
| $t_{VDD+ \text{ to } OUT}$ | VDDA, VDDB Power-up Delay Time: UVLO Rise to OUTA, OUTB See 图 7-7 | INA or INB tied to VCCI | | | 10 | |
| $ CM_H $ | High-level common-mode transient immunity (See 节 7.6) | Slew rate of GND vs. VSSA/B, INA and INB both are tied to GND or VCCI; $V_{CM}=1000\text{ V}$; | 125 | | | V/ns |
| $ CM_L $ | Low-level common-mode transient immunity (See 节 7.6) | Slew rate of GND vs. VSSA/B, INA and INB both are tied to GND or VCCI; $V_{CM}=1000\text{ V}$; | 125 | | | |

(1) Parameters that has only typical values, are not production tested and guaranteed by design.

6.10 Thermal Derating Curves



Current in Each Channel with Both Channels Running Simultaneously

图 6-1. Thermal Derating Curve for Limiting Current Per VDE

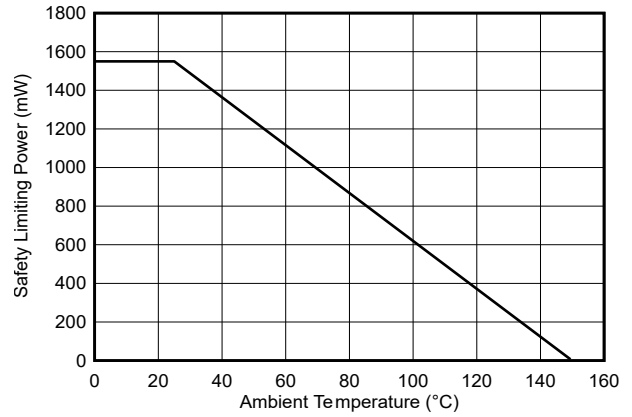
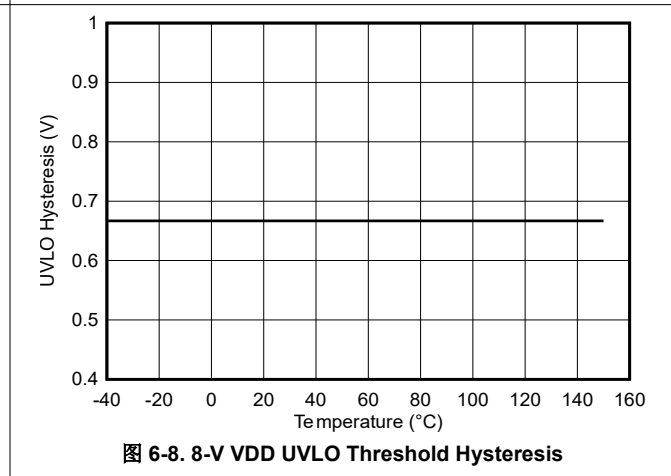
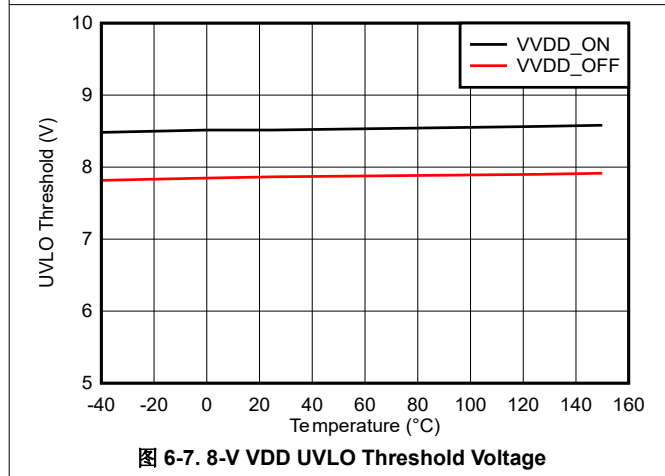
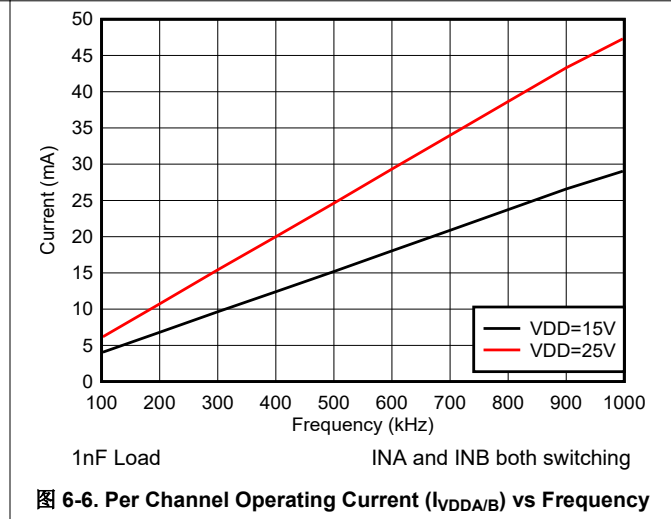
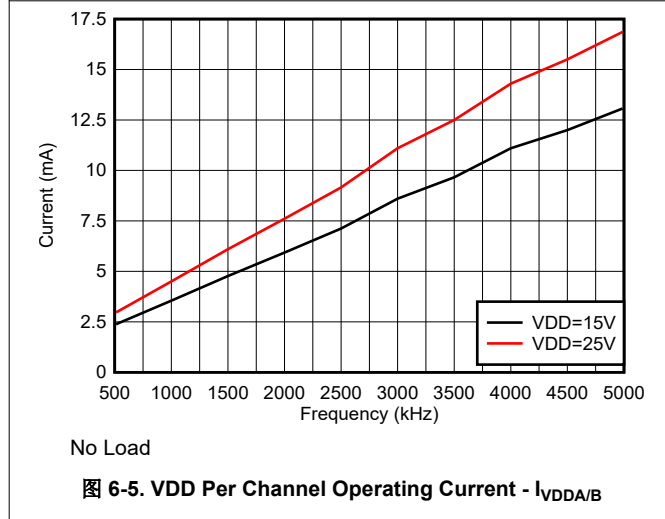
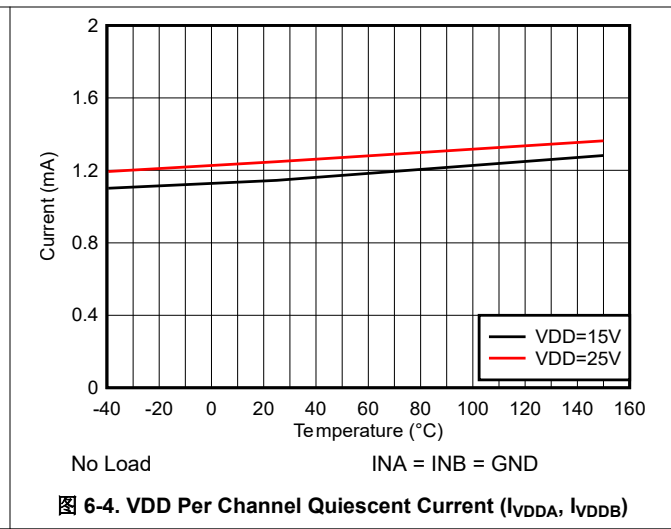
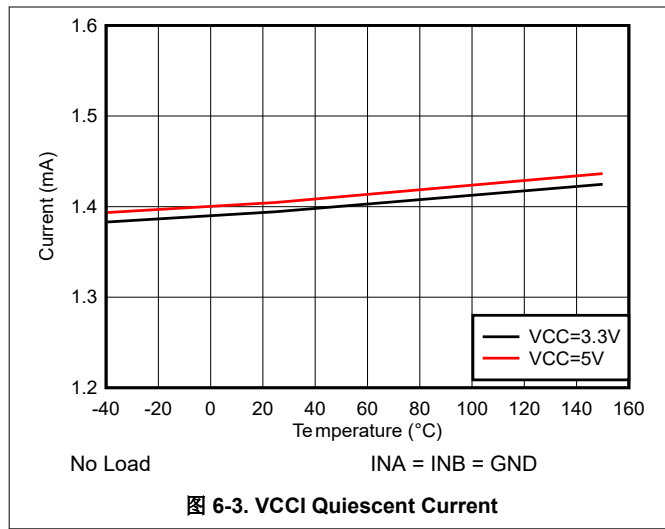


图 6-2. Thermal Derating Curve for Limiting Power Per VDE

6.11 Typical Characteristics

VDDA = VDDB = 15 V, VCCI = 3.3 V, T_A = 25°C, C_L = 0pF unless otherwise noted.



6.11 Typical Characteristics (continued)

VDDA = VDDDB = 15 V, VCCI = 3.3 V, T_A = 25°C, C_L = 0pF unless otherwise noted.

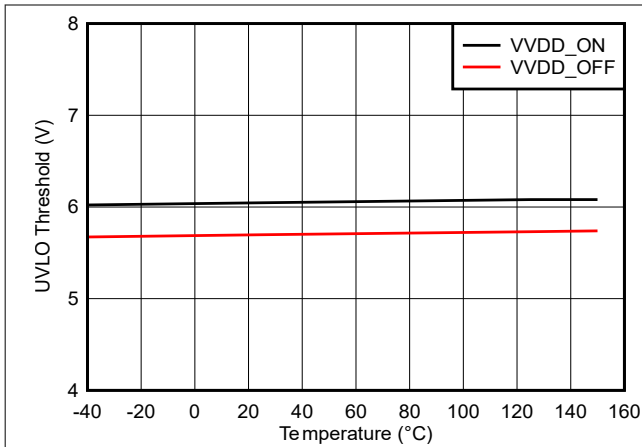


图 6-9. 5-V VDD UVLO Threshold Voltage

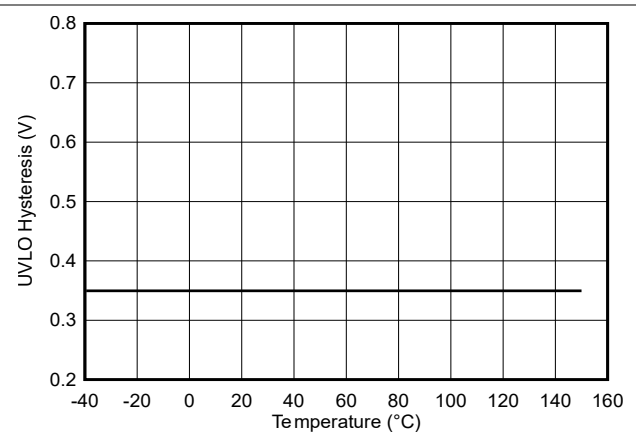


图 6-10. 5-V VDD UVLO Threshold Hysteresis

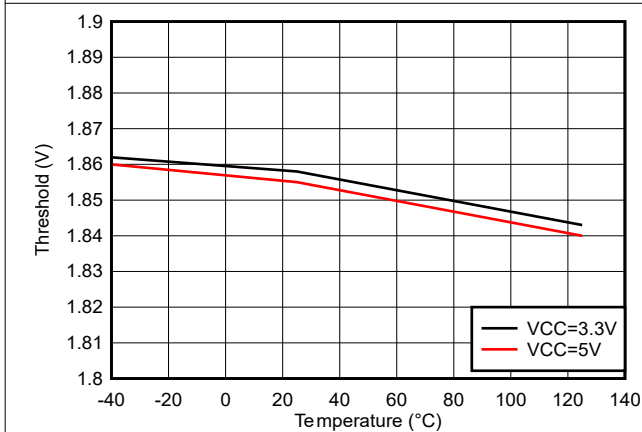


图 6-11. INA/INB/DIS High Threshold Voltage

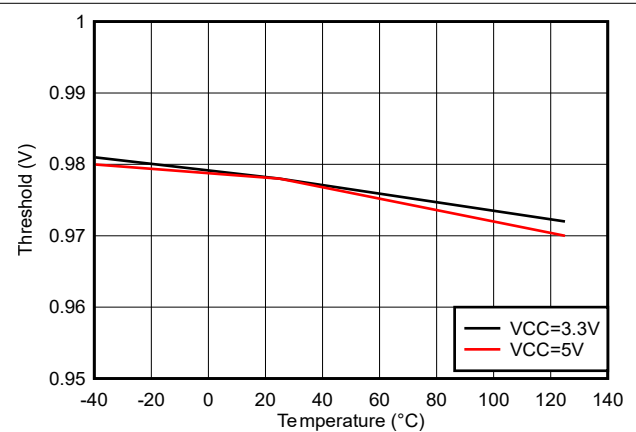


图 6-12. INA/INB/DIS Low Threshold Voltage

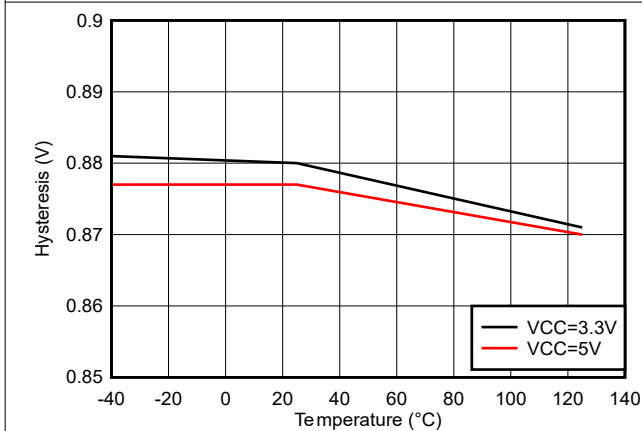


图 6-13. INA/INB/DIS High and Low Threshold Hysteresis

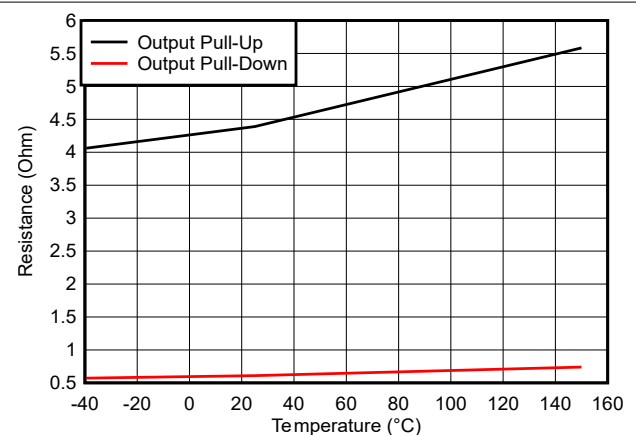


图 6-14. OUT Pullup and Pulldown Resistance

6.11 Typical Characteristics (continued)

VDDA = VDDB = 15 V, VCCI = 3.3 V, T_A = 25°C, C_L = 0pF unless otherwise noted.

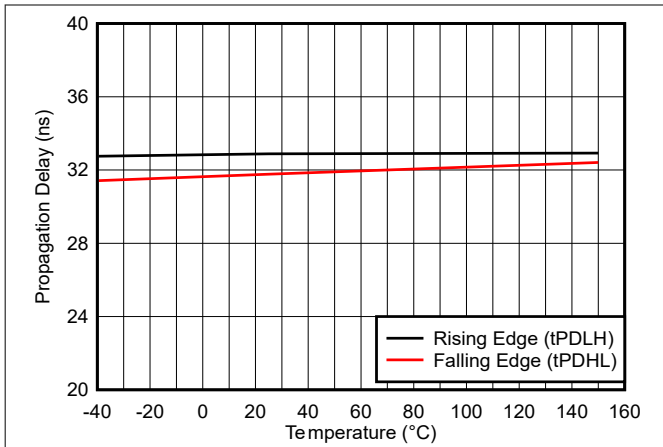


图 6-15. Propagation Delay, Rising Edge, and Falling Edge

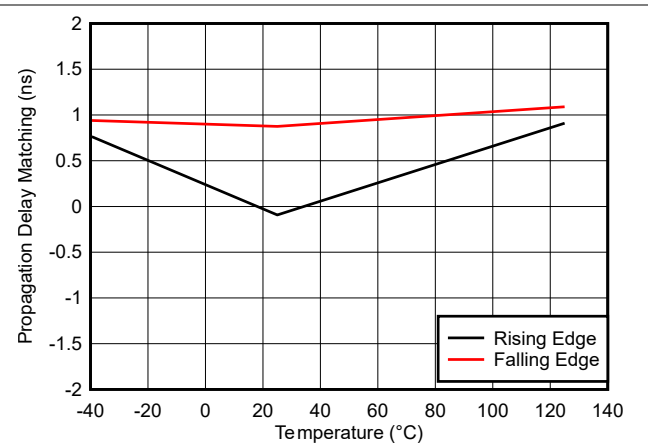


图 6-16. Propagation Delay Matching, Rising Edge, and Falling Edge

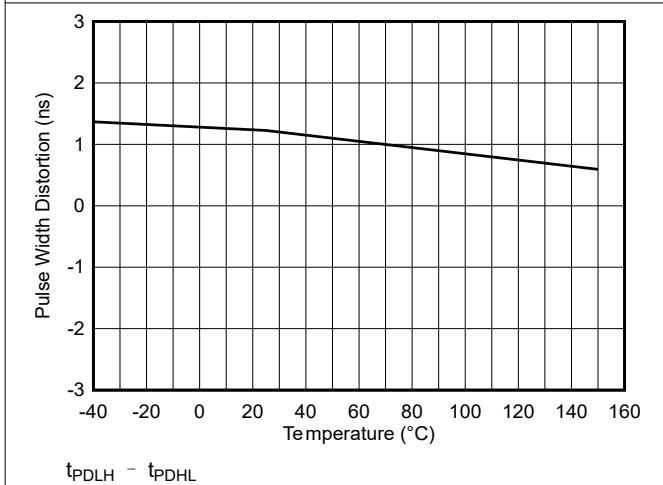


图 6-17. Pulse Width Distortion vs Temperature

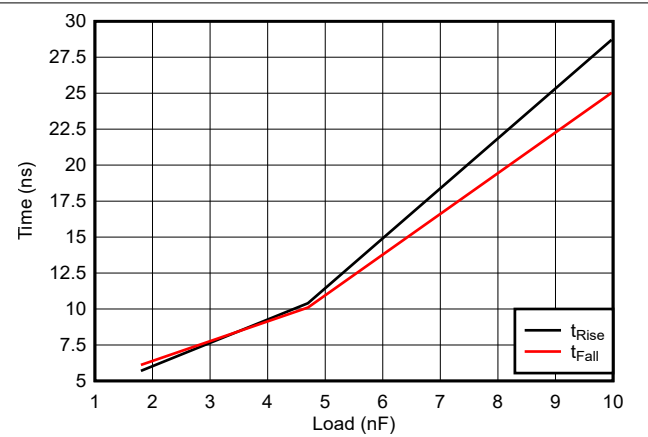


图 6-18. Rise Time and Fall Time vs Load (VDD = 15V)

7 Parameter Measurement Information

7.1 Minimum Pulses

To change the output stage on OUTA or OUTB, one has to assert longer pulses than $t_{PW(min)}$, typically 12 ns, to guarantee an output state change. see [图 7-1](#) and [图 7-2](#) for detailed information of the operation of deglitch filter.

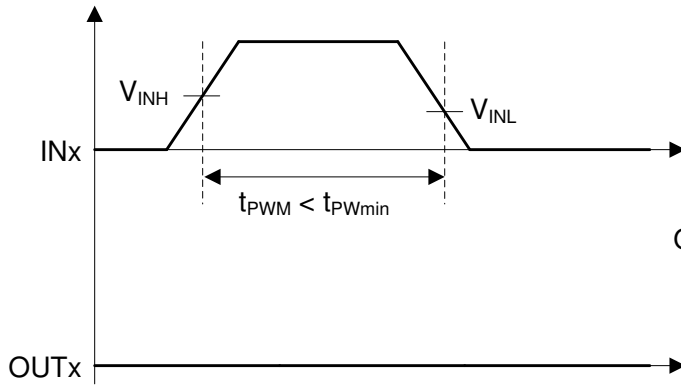


图 7-1. Deglitch Filter - Turn ON

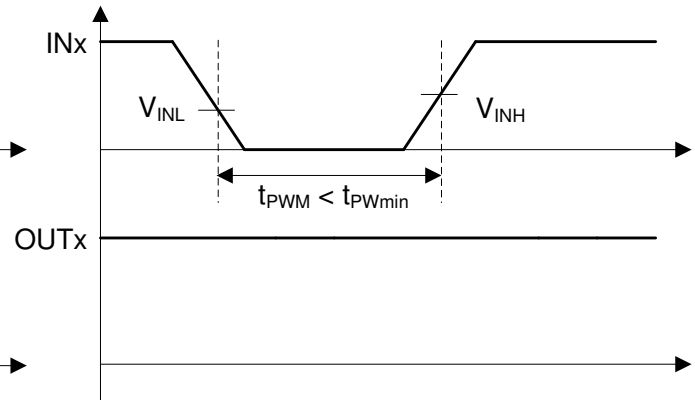


图 7-2. Deglitch Filter - Turn OFF

7.2 Propagation Delay and Pulse Width Distortion

[图 7-3](#) shows how one calculates pulse width distortion (t_{PWD}) and delay matching (t_{DM}) from the propagation delays of channels A and B. It can be measured by ensuring that both inputs are in phase.

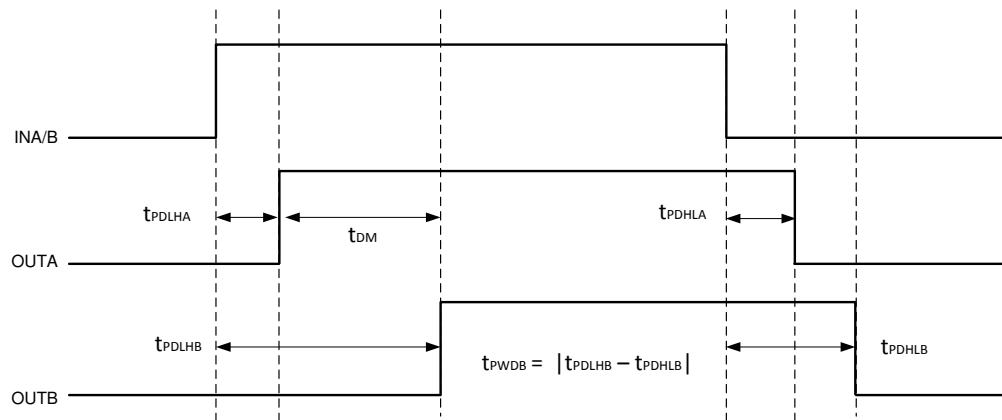


图 7-3. Delay Matching and Pulse Width Distortion

7.3 Rising and Falling Time

[图 7-4](#) shows the criteria for measuring rising (t_{RISE}) and falling (t_{FALL}) times. For more information on how short rising and falling times are achieved, see [节 8.3.4](#).

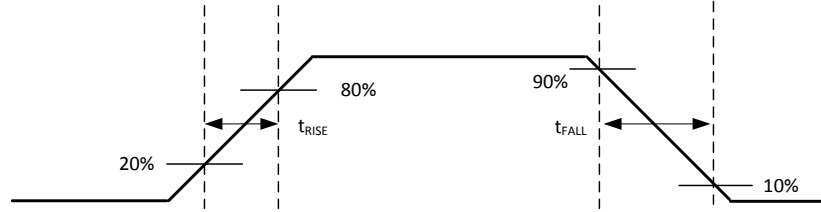


图 7-4. Rising and Falling Time Criteria

7.4 Input and Disable Response Time

图 7-5 shows the response time of the disable function. For more information, see 节 8.4.1.

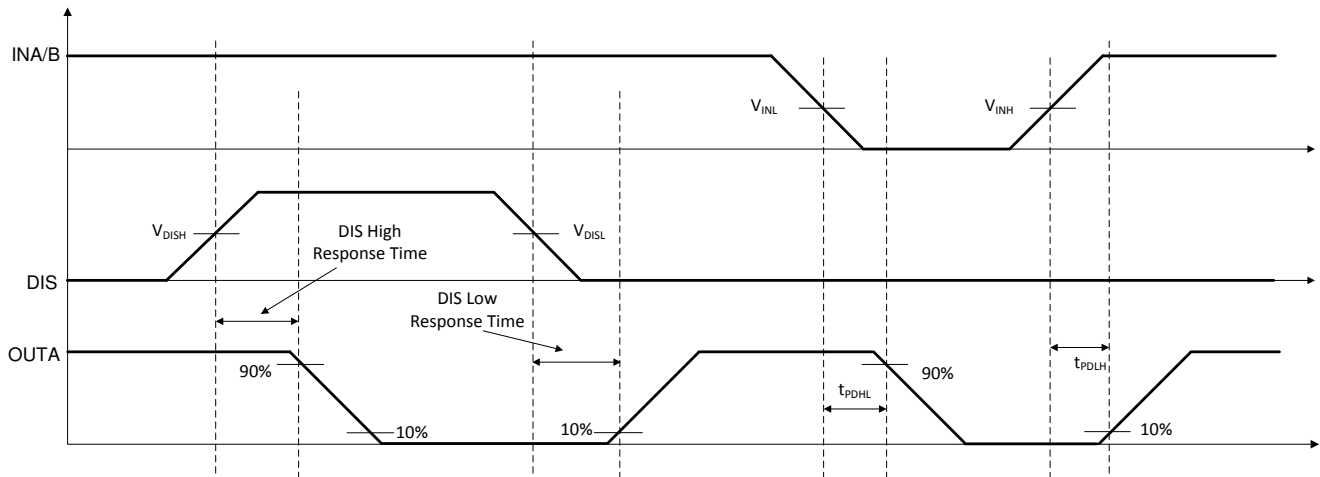


图 7-5. Disable Pin Timing

7.5 Power-up UVLO Delay to OUTPUT

Before the driver is ready to deliver a proper output state, there is a power-up delay from the UVLO rising edge to output and it is defined as $t_{V_{CCI+} \text{ to } OUT}$ for VCCI UVLO, which is 42 μs typically, and $t_{V_{DD+} \text{ to } OUT}$ for VDD UVLO, which is 10 μs maximum. It is recommended to consider proper margin before launching PWM signal after the driver VCCI and VDD bias supply is ready. 图 7-6 and 图 7-7 show the power-up UVLO delay timing diagram for VCCI and VDD.

If INA or INB are active before VCCI or VDD have crossed above their respective on thresholds, the output will not update until $t_{V_{CCI+} \text{ to } OUT}$ or $t_{V_{DD+} \text{ to } OUT}$ after VCCI or VDD crossing its UVLO rising threshold. However, when either VCCI or VDD receive a voltage less than their respective off thresholds, there is $<2\mu\text{s}$ delay, depending on the voltage slew rate on the supply pins, before the outputs are held low. This asymmetric delay is designed to ensure safe operation during VCCI or VDD brownouts.

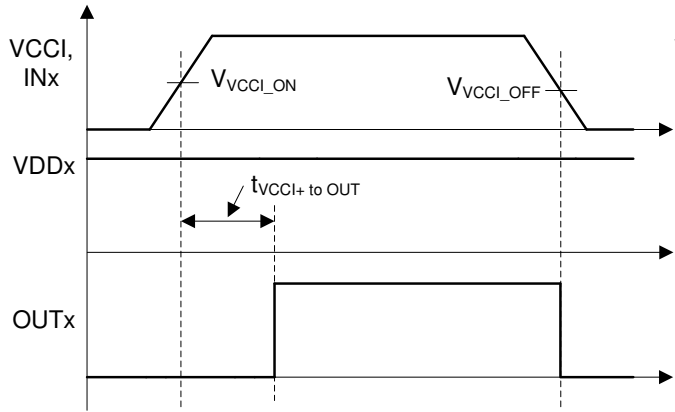


图 7-6. VCCI Power-up UVLO Delay

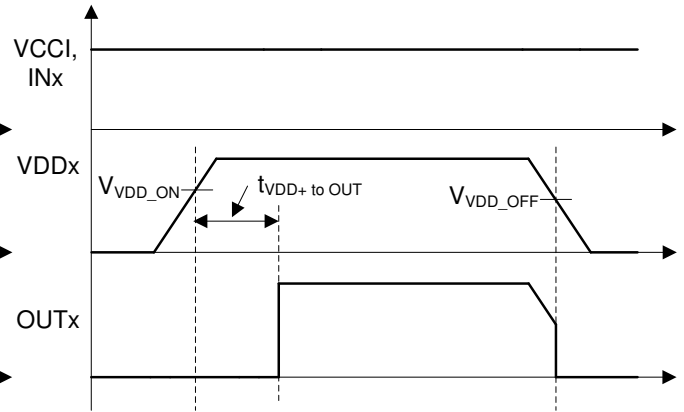
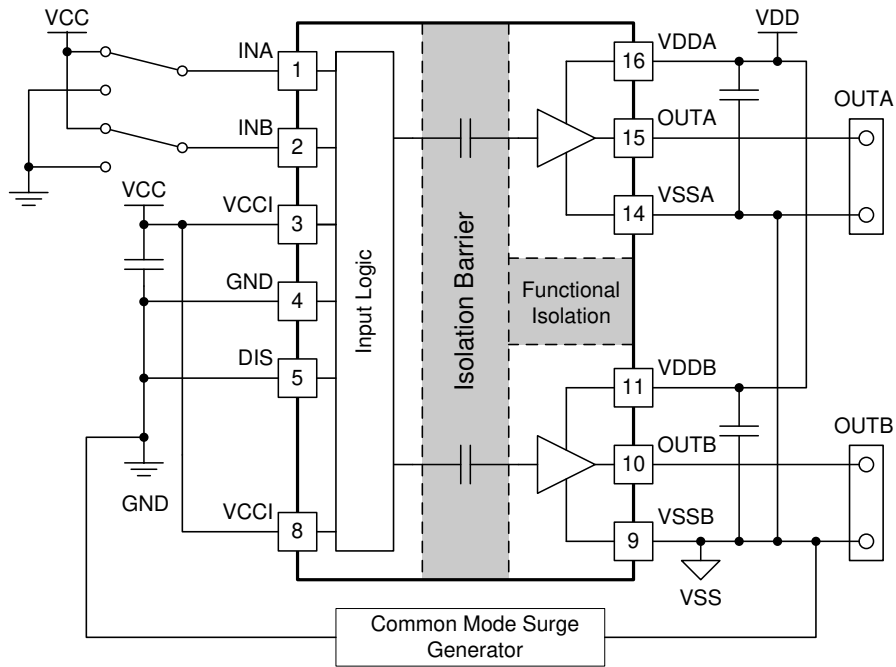


图 7-7. VDDA/B Power-up UVLO Delay

7.6 CMTI Testing

图 7-8 is a simplified diagram of the CMTI testing configuration.



Copyright © 2017, Texas Instruments Incorporated

图 7-8. Simplified CMTI Testing Setup

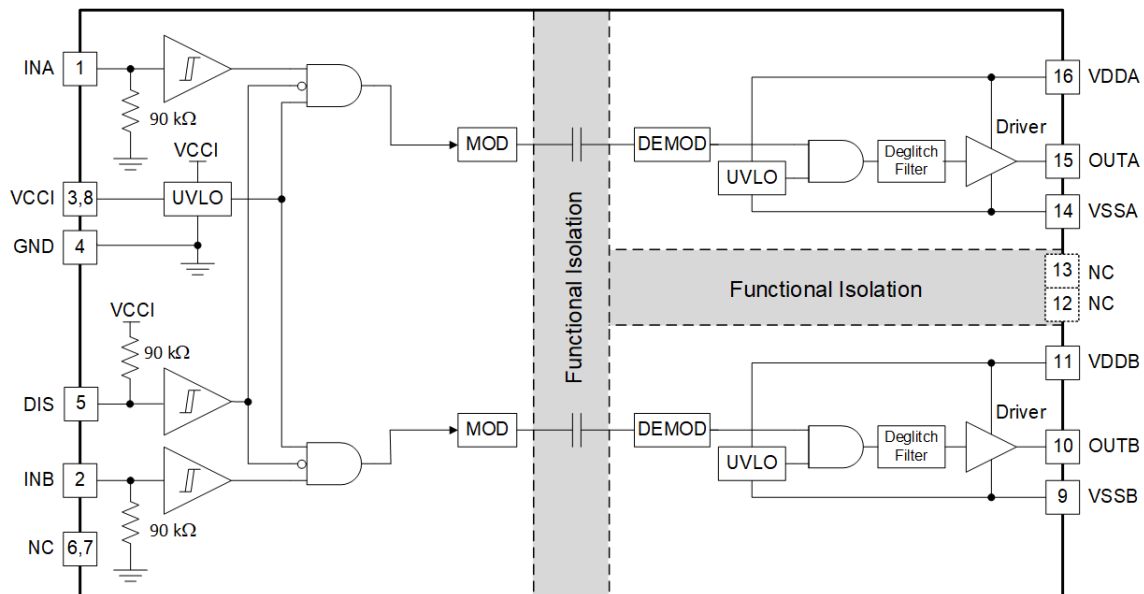
8 Detailed Description

8.1 Overview

In order to switch power transistors rapidly and reduce switching power losses, high-current gate drivers are often placed between the output of control devices and the gates of power transistors. There are several instances where controllers are not capable of delivering sufficient current to drive the gates of power transistors. This is especially the case with digital controllers, since the input signal from the digital controller is often a 3.3-V logic signal capable of only delivering a few mA.

The UCC21220, UCC21220A are flexible dual gate drivers which can be configured to fit a variety of power supply and motor drive topologies, as well as drive several types of transistors. UCC21220 and UCC21220A have many features that allow it to integrate well with control circuitry and protect the gates it drives such as: disable pin, and under voltage lock out (UVLO) for both input and output voltages. The UCC21220, UCC21220A also hold its outputs low when the inputs are left open or when the input pulse is not wide enough. The driver inputs are CMOS and TTL compatible for interfacing with digital and analog power controllers alike. Each channel is controlled by its respective input pins (INA and INB), allowing full and independent control of each of the outputs.

8.2 Functional Block Diagram



8.3 Feature Description

8.3.1 VDD, VCCI, and Under Voltage Lock Out (UVLO)

The UCC21220 and UCC21220A have an internal under voltage lock out (UVLO) protection feature on the supply circuit blocks between the VDD and VSS pins for both outputs. When the VDD bias voltage is lower than V_{VDD_ON} at device start-up or lower than V_{VDD_OFF} after start-up, the VDD UVLO feature holds the effected output low, regardless of the status of the input pins (INA and INB).

When the output stages of the driver are in an unbiased or UVLO condition, the driver outputs are held low by an active clamp circuit that limits the voltage rise on the driver outputs (Illustrated in 图 8-1). In this condition, the upper PMOS is resistively held off by R_{Hi-Z} while the lower NMOS gate is tied to the driver output through R_{CLAMP} . In this configuration, the output is effectively clamped to the threshold voltage of the lower NMOS device, typically around 1.5V, when no bias power is available.

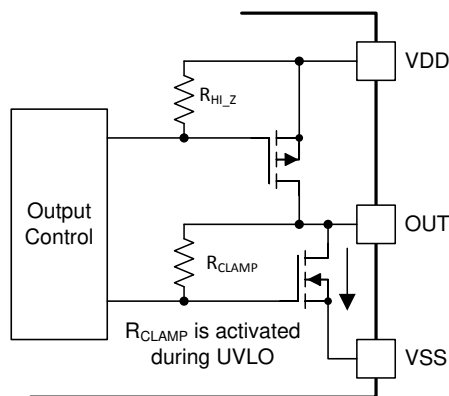


图 8-1. Simplified Representation of Active Pull Down Feature

The VDD UVLO protection has a hysteresis feature (V_{VDD_HYS}). This hysteresis prevents chatter when there is ground noise from the power supply. Also this allows the device to accept small drops in bias voltage, which is bound to happen when the device starts switching and operating current consumption increases suddenly.

The input side of the UCC21220 and UCC21220A also have an internal under voltage lock out (UVLO) protection feature. The device isn't active unless the voltage, VCCI, is going to exceed V_{VCCI_ON} on start up. And a signal will cease to be delivered when that pin receives a voltage less than V_{VCCI_OFF} . And, just like the UVLO for VDD, there is hysteresis (V_{VCCI_HYS}) to ensure stable operation.

表 8-1. VCCI UVLO Feature Logic

| CONDITION | INPUTS | | OUTPUTS | |
|---|--------|-----|---------|------|
| | INA | INB | OUTA | OUTB |
| $V_{CCI-GND} < V_{VCCI_ON}$ during device start up | H | L | L | L |
| $V_{CCI-GND} < V_{VCCI_ON}$ during device start up | L | H | L | L |
| $V_{CCI-GND} < V_{VCCI_ON}$ during device start up | H | H | L | L |
| $V_{CCI-GND} < V_{VCCI_ON}$ during device start up | L | L | L | L |
| $V_{CCI-GND} < V_{VCCI_OFF}$ after device start up | H | L | L | L |
| $V_{CCI-GND} < V_{VCCI_OFF}$ after device start up | L | H | L | L |
| $V_{CCI-GND} < V_{VCCI_OFF}$ after device start up | H | H | L | L |
| $V_{CCI-GND} < V_{VCCI_OFF}$ after device start up | L | L | L | L |

表 8-2. VDD UVLO Feature Logic

| CONDITION | INPUTS | | OUTPUTS | |
|--|--------|-----|---------|------|
| | INA | INB | OUTA | OUTB |
| VDD-VSS < V _{VDD_ON} during device start up | H | L | L | L |
| VDD-VSS < V _{VDD_ON} during device start up | L | H | L | L |
| VDD-VSS < V _{VDD_ON} during device start up | H | H | L | L |
| VDD-VSS < V _{VDD_ON} during device start up | L | L | L | L |
| VDD-VSS < V _{VDD_OFF} after device start up | H | L | L | L |
| VDD-VSS < V _{VDD_OFF} after device start up | L | H | L | L |
| VDD-VSS < V _{VDD_OFF} after device start up | H | H | L | L |
| VDD-VSS < V _{VDD_OFF} after device start up | L | L | L | L |

8.3.2 Input and Output Logic Table

表 8-3. INPUT/OUTPUT Logic Table ⁽¹⁾

Assume VCCI, VDDA, VDDDB are powered up (see 节 8.3.1 for more information on UVLO operation modes), 表 8-3 shows the operation with INA, INB and DIS and the corresponding output state.

| INPUTS | | DIS | OUTPUTS | | NOTE |
|-----------|-----------|----------------|---------|------|--|
| INA | INB | | OUTA | OUTB | |
| L | L | L | L | L | Disables both driver outputs if asserted high, enables if set low or left open. This pin is pulled low internally if left open. It is recommended to tie this pin to ground if not used to achieve better noise immunity. Bypass using a $\approx 1\text{nF}$ low ESR/ESL capacitor close to DIS pin when connecting to a μC with distance. |
| L | H | L | L | H | |
| H | L | L | H | L | |
| H | H | L | H | H | |
| Left Open | Left Open | L | L | L | It is recommended to tie INA/INB to ground if not used to achieve better noise immunity. |
| X | X | H or Left Open | L | L | - |

(1) "X" means L, H or left open.

8.3.3 Input Stage

The input pins (INA, INB, and DIS) of UCC21220 and UCC21220A are based on a TTL and CMOS compatible input-threshold logic that is totally isolated from the VDD supply voltage. The input pins are easy to drive with logic-level control signals (such as those from 3.3-V micro-controllers), since the UCC21220 and UCC21220A have a typical high threshold (V_{INAH}) of 2 V and a typical low threshold of 1 V, which vary little with temperature (see 图 6-8 and 图 6-13). A wide hysteresis ($V_{\text{INA_HYS}}$) of 1 V makes for good noise immunity and stable operation. If any of the inputs are ever left open, internal pull-down resistors force the pin low. These resistors are typically 90 k Ω for INA/B. However, it is still recommended to ground an input if it is not being used.

Since the input side of UCC21220 or UCC21220A are isolated from the output drivers, the input signal amplitude can be larger or smaller than VDD, provided that it doesn't exceed the recommended limit. This allows greater flexibility when integrating with control signal sources, and allows the user to choose the most efficient VDD for their MOSFET/IGBT gate. That said, the amplitude of any signal applied to INA or INB must *never* be at a voltage higher than VCCI.

8.3.4 Output Stage

The UCC21220 and UCC21220A output stages feature a pull-up structure which delivers the highest peak-source current when it is most needed, during the Miller plateau region of the power-switch turn on transition (when the power switch drain or collector voltage experiences dV/dt). The output stage pull-up structure features a P-channel MOSFET and an additional *Pull-Up* N-channel MOSFET in parallel. The function of the N-channel MOSFET is to provide a boost in the peak-sourcing current, enabling fast turn on. This is accomplished by briefly turning on the N-channel MOSFET during a narrow instant when the output is changing states from low to high. The on-resistance of this N-channel MOSFET (R_{NMOS}) is approximately 1.47Ω when activated.

The R_{OH} parameter is a DC measurement and it is representative of the on-resistance of the P-channel device only. This is because the *Pull-Up* N-channel device is held in the off state in DC condition and is turned on only for a brief instant when the output is changing states from low to high. Therefore the effective resistance of the UCC21220 and UCC21220A pull-up stage during this brief turn-on phase is much lower than what is represented by the R_{OH} parameter.

The pull-down structure of the UCC21220 and UCC21220A are composed of an N-channel MOSFET. The R_{OL} parameter, which is also a DC measurement, is representative of the impedance of the pull-down state in the device. Both outputs of the UCC21220 and UCC21220A are capable of delivering 4-A peak source and 6-A peak sink current pulses. The output voltage swings between VDD and VSS provides rail-to-rail operation, thanks to the MOS-out stage which delivers very low drop-out.

To ensure robust and reliable operation of gate drivers, pay special attention to the minimum pulse width. The minimum pulse width shown in the electrical characteristics table describes the minimum input pulse that would be passed to the output in an unloaded driver. This is dictated by the deglitch filter present in the driver IC. An input ON or OFF pulse width longer than the maximum specification is needed to guarantee an output state change and avoid potential shoot-through. With a loaded driver, extra precaution must be taken to ensure robust operation of the system. During gate switching, if the output state changes before the driver completes each transition, a non-zero current switching event occurs. Combined with layout parasitics, non-zero current switching can cause internal rail overshoot and EOS damage of the gate driver. Thus, a minimum output width is needed for reliable system operation. This minimum output pulse width is dependent on several factors: gate capacitance, VDD supply voltage, gate resistance, and PCB layout parasitics. The minimum pulse width for robust operation might be magnitudes larger than the minimum pulse width shown in the electrical characteristics table. System-level study should be carried out to determine the minimum output pulse width required for each system.

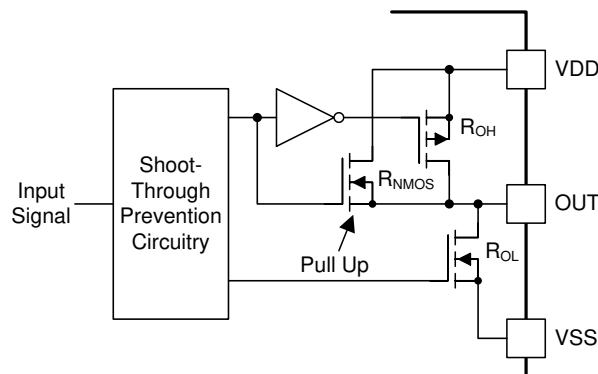


图 8-2. Output Stage

8.3.5 Diode Structure in UCC21220 and UCC21220A

图 8-3 illustrates the multiple diodes involved in the ESD protection components. This provides a pictorial representation of the absolute maximum rating for the device.

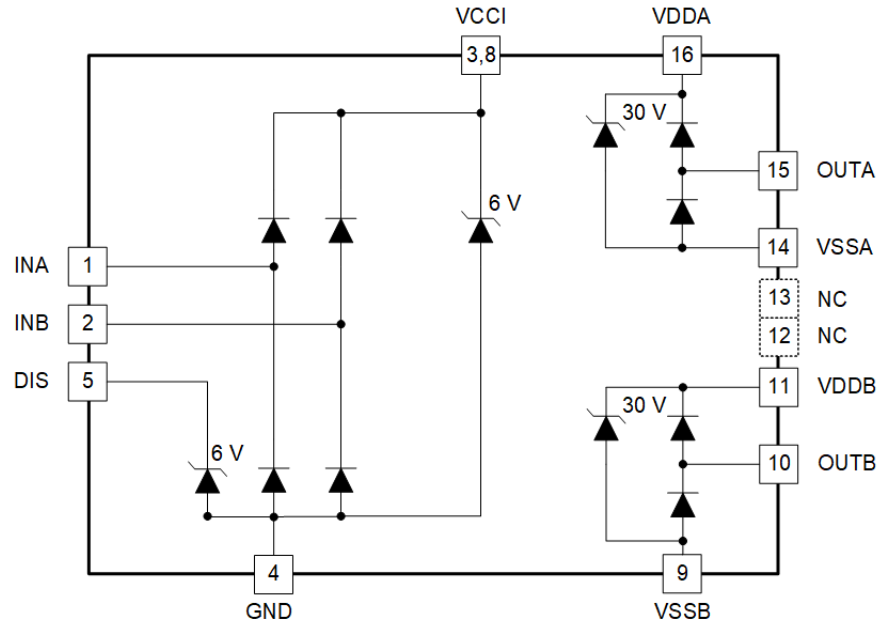


图 8-3. ESD Structure

8.4 Device Functional Modes

8.4.1 Disable Pin

Setting the DIS pin high (or left floating) shuts down both outputs simultaneously. Grounding the DIS pin allows UCC21220 and UCC21220A to operate normally. The DIS pin is quite responsive, as far as propagation delay and other switching parameters are concerned. The DIS pin is only functional (and necessary) when VCCI stays above the UVLO threshold. It is recommended to tie this pin to GND if the DIS pin is not used to achieve better noise immunity, and it is recommended to bypass using a $\approx 1\text{nF}$ low ESR/ESL capacitor close to DIS pin when connecting DIS pin to a micro controller with distance.

9 Application and Implementation

备注

以下应用部分中的信息不属于 TI 器件规格的范围，TI 不担保其准确性和完整性。TI 的客户应负责确定器件是否适用于其应用。客户应验证并测试其设计，以确保系统功能。

9.1 Application Information

The UCC21220 and UCC21220A effectively combine both isolation and buffer-drive functions. The flexible, universal capability of the UCC21220 (with up to 5.5-V VCCI and 18-V VDDA/VDDDB) allows the device to be used as a low-side, high-side, high-side/low-side or half-bridge driver for MOSFETs, IGBTs or GaN transistor. With integrated components, advanced protection features (UVLO and disable) and optimized switching performance; the UCC21220 and UCC21220A enable designers to build smaller, more robust designs for enterprise, telecom, automotive, and industrial applications with a faster time to market.

9.2 Typical Application

The circuit in [图 9-1](#) shows a reference design with UCC21220 or UCC21220A driving a typical half-bridge configuration which could be used in several popular power converter topologies such as synchronous buck, synchronous boost, half-bridge/full bridge isolated topologies, and 3-phase motor drive applications.

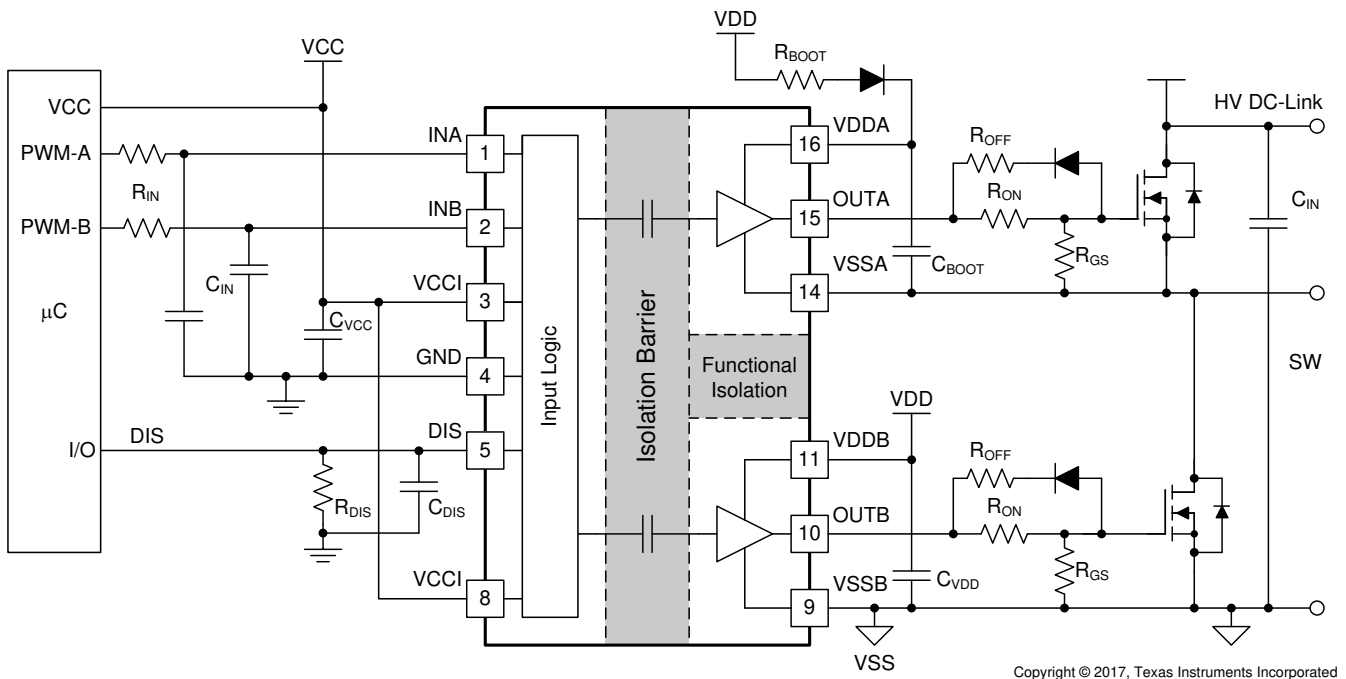


图 9-1. Typical Application Schematic

9.2.1 Design Requirements

表 9-1 lists reference design parameters for the example application: UCC21220 or UCC21220A driving 650-V MOSFETs in a high side-low side configuration.

表 9-1. UCC21220 and UCC21220A Design Requirements

| PARAMETER | VALUE | UNITS |
|-------------------------------|--------------|-------|
| Power transistor | IPP65R150CFD | - |
| VCC | 5.0 | V |
| VDD | 12 | V |
| Input signal amplitude | 3.3 | V |
| Switching frequency (f_s) | 100 | kHz |
| DC link voltage | 400 | V |

9.2.2 Detailed Design Procedure

9.2.2.1 Designing INA/INB Input Filter

It is recommended that users avoid shaping the signals to the gate driver in an attempt to slow down (or delay) the signal at the output. However, a small input R_{IN} - C_{IN} filter can be used to filter out the ringing introduced by non-ideal layout or long PCB traces.

Such a filter should use an R_{IN} in the range of 0 Ω to 100 Ω and a C_{IN} between 10 pF and 100 pF. In the example, an $R_{IN} = 51 \Omega$ and a $C_{IN} = 33$ pF are selected, with a corner frequency of approximately 100 MHz.

When selecting these components, it is important to pay attention to the trade-off between good noise immunity and propagation delay.

9.2.2.2 Select External Bootstrap Diode and its Series Resistor

The bootstrap capacitor is charged by VDD through an external bootstrap diode every cycle when the low side transistor turns on. Charging the capacitor involves high-peak currents, and therefore transient power dissipation in the bootstrap diode may be significant. Conduction loss also depends on the diode's forward voltage drop. Both the diode conduction losses and reverse recovery losses contribute to the total losses in the gate driver circuit.

When selecting external bootstrap diodes, it is recommended that one chose high voltage, fast recovery diodes or SiC Schottky diodes with a low forward voltage drop and low junction capacitance in order to minimize the loss introduced by reverse recovery and related grounding noise bouncing. In the example, the DC-link voltage is 400 V_{DC}. The voltage rating of the bootstrap diode should be higher than the DC-link voltage with a good margin. Therefore, a 600-V ultrafast diode, MURA160T3G, is chosen in this example.

A bootstrap resistor, R_{BOOT} , is used to reduce the inrush current in D_{BOOT} and limit the ramp up slew rate of voltage of VDDA-VSSA during each switching cycle, especially when the VSSA(SW) pin has an excessive negative transient voltage. The recommended value for R_{BOOT} is between 1 Ω and 20 Ω depending on the diode used. In the example, a current limiting resistor of 2.2 Ω is selected to limit the inrush current of bootstrap diode. The estimated worst case peak current through D_{BOOT} is,

$$I_{D_{Boot}(pk)} = \frac{V_{DD} - V_{BDF}}{R_{Boot}} = \frac{12V - 1.5V}{2.7\Omega} \approx 4A \quad (1)$$

where

- V_{BDF} is the estimated bootstrap diode forward voltage drop around 4 A.

9.2.2.3 Gate Driver Output Resistor

The external gate driver resistors, R_{ON}/R_{OFF} , are used to:

1. Limit ringing caused by parasitic inductances/capacitances.
2. Limit ringing caused by high voltage/current switching dv/dt , di/dt , and body-diode reverse recovery.
3. Fine-tune gate drive strength, i.e. peak sink and source current to optimize the switching loss.
4. Reduce electromagnetic interference (EMI).

As mentioned in 节 8.3.4, the UCC21220 and UCC21220A have a pull-up structure with a P-channel MOSFET and an additional *pull-up* N-channel MOSFET in parallel. The combined peak source current is 4 A. Therefore, the peak source current can be predicted with 方程式 2 and 方程式 3:

$$I_{OA+} = \min \left(4A, \frac{V_{DD} - V_{BDF}}{R_{NMOS} \parallel R_{OH} + R_{ON} + R_{GFET_Int}} \right) \quad (2)$$

$$I_{OB+} = \min \left(4A, \frac{V_{DD}}{R_{NMOS} \parallel R_{OH} + R_{ON} + R_{GFET_Int}} \right) \quad (3)$$

where

- R_{ON} : External turn-on resistance.
- R_{GFET_INT} : Power transistor internal gate resistance, found in the power transistor datasheet.
- I_{O+} = Peak source current – The minimum value between 4 A, the gate driver peak source current, and the calculated value based on the gate drive loop resistance.

In this example:

$$I_{OA+} = \frac{V_{DD} - V_{BDF}}{R_{NMOS} \parallel R_{OH} + R_{ON} + R_{GFET_Int}} = \frac{12V - 0.8V}{1.47\Omega \parallel 5\Omega + 2.2\Omega + 1.5\Omega} \approx 2.3A \quad (4)$$

$$I_{OB+} = \frac{V_{DD}}{R_{NMOS} \parallel R_{OH} + R_{ON} + R_{GFET_Int}} = \frac{12V}{1.47\Omega \parallel 5\Omega + 2.2\Omega + 1.5\Omega} \approx 2.5A \quad (5)$$

Therefore, the high-side and low-side peak source current is 2.3 A and 2.5 A respectively. Similarly, the peak sink current can be calculated with 方程式 6 and 方程式 7:

$$I_{OA-} = \min \left(6A, \frac{V_{DD} - V_{BDF} - V_{GDF}}{R_{OL} + R_{OFF} \parallel R_{ON} + R_{GFET_Int}} \right) \quad (6)$$

$$I_{OB-} = \min \left(6A, \frac{V_{DD} - V_{GDF}}{R_{OL} + R_{OFF} \parallel R_{ON} + R_{GFET_Int}} \right) \quad (7)$$

where

- R_{OFF} : External turn-off resistance, $R_{OFF}=0$ in this example;
- V_{GDF} : The anti-parallel diode forward voltage drop which is in series with R_{OFF} . The diode in this example is an MSS1P4.

- I_{O-} : Peak sink current - the minimum value between 6 A, the gate driver peak sink current, and the calculated value based on the gate drive loop resistance.

In this example,

$$I_{OA-} = \frac{V_{DD} - V_{BDF} - V_{GDF}}{R_{OL} + R_{OFF} \parallel R_{ON} + R_{GFET_Int}} = \frac{12V - 0.8V - 0.85V}{0.55\Omega + 0\Omega + 1.5\Omega} \approx 5.0A \quad (8)$$

$$I_{OB-} = \frac{V_{DD} - V_{GDF}}{R_{OL} + R_{OFF} \parallel R_{ON} + R_{GFET_Int}} = \frac{12V - 0.85V}{0.55\Omega + 0\Omega + 1.5\Omega} \approx 5.4A \quad (9)$$

Therefore, the high-side and low-side peak sink current is 5.0 A and 5.4A respectively.

Importantly, the estimated peak current is also influenced by PCB layout and load capacitance. Parasitic inductance in the gate driver loop can slow down the peak gate drive current and introduce overshoot and undershoot. Therefore, it is strongly recommended that the gate driver loop should be minimized. On the other hand, the peak source/sink current is dominated by loop parasitics when the load capacitance (C_{ISS}) of the power transistor is very small (typically less than 1 nF), because the rising and falling time is too small and close to the parasitic ringing period.

9.2.2.4 Estimating Gate Driver Power Loss

The total loss, P_G , in the gate driver subsystem includes the power losses of the UCC21220 and UCC21220A (P_{GD}) and the power losses in the peripheral circuitry, such as the external gate drive resistor. Bootstrap diode loss is not included in P_G and not discussed in this section.

P_{GD} is the key power loss which determines the thermal safety-related limits of the UCC21220 and UCC21220A, and it can be estimated by calculating losses from several components.

The first component is the static power loss, P_{GDQ} , which includes quiescent power loss on the driver as well as driver self-power consumption when operating with a certain switching frequency. P_{GDQ} is measured on the bench with no load connected to OUTA and OUTB at a given V_{CCI} , V_{DDA}/V_{DDB} , switching frequency and ambient temperature. 图 6-6 shows the operating current consumption vs. operating frequency with no load. In this example, $V_{VCCI} = 5V$ and $V_{VDD} = 12V$. The current on each power supply, with INA/INB switching from 0V to 3.3V at 100 kHz is measured to be $I_{VCCI} \approx 2.5mA$, and $I_{VDDA} = I_{VDDB} \approx 1.5mA$. Therefore, the P_{GDQ} can be calculated with 方程式 10:

$$P_{GDQ} = V_{VCCI} \times I_{VCCI} + V_{VDDA} \times I_{DDB} + V_{VDDB} \times I_{DDB} = 50mW \quad (10)$$

The second component is switching operation loss, P_{GDO} , with a given load capacitance which the driver charges and discharges the load during each switching cycle. Total dynamic loss due to load switching, P_{GSW} , can be estimated with 方程式 11:

$$P_{GSW} = 2 \times V_{DD} \times Q_G \times f_{SW} \quad (11)$$

where

- Q_G is the gate charge of the power transistor.

If a split rail is used to turn on and turn off, then VDD is going to be equal to difference between the positive rail to the negative rail.

So, for this example application:

$$P_{GSW} = 2 \times 12V \times 100nC \times 100kHz = 240mW \quad (12)$$

Q_G represents the total gate charge of the power transistor switching 480 V at 14 A provided by the datasheet, and is subject to change with different testing conditions. The UCC21220 and UCC21220A gate driver loss on the output stage, P_{GDO} , is part of P_{GSW} . P_{GDO} will be equal to P_{GSW} if the external gate driver resistances are zero, and all the gate driver loss is dissipated inside the UCC21220 and UCC21220A. If there are external turn-on and turn-off resistances, the total loss will be distributed between the gate driver pull-up/down resistances and external gate resistances. Importantly, the pull-up/down resistance is a linear and fixed resistance if the source/sink current is not saturated to 4 A/6 A, however, it will be non-linear if the source/sink current is saturated. Therefore, P_{GDO} is different in these two scenarios.

Case 1 - Linear Pull-Up/Down Resistor:

$$P_{GDO} = \frac{P_{GSW}}{2} \times \left(\frac{R_{OH} \parallel R_{NMOS}}{R_{OH} \parallel R_{NMOS} + R_{ON} + R_{GFET_Int}} + \frac{R_{OL}}{R_{OL} + R_{OFF} \parallel R_{ON} + R_{GFET_Int}} \right) \quad (13)$$

In this design example, all the predicted source/sink currents are less than 4 A/6 A, therefore, the UCC21220 and UCC21220A gate driver loss can be estimated with 方程式 14:

$$P_{GDO} = \frac{240\text{mW}}{2} \times \left(\frac{5\Omega \parallel 1.47\Omega}{5\Omega \parallel 1.47\Omega + 2.2\Omega + 1.5\Omega} + \frac{0.55\Omega}{0.55\Omega + 0\Omega + 1.5\Omega} \right) \approx 60\text{mW} \quad (14)$$

Case 2 - Nonlinear Pull-Up/Down Resistor:

$$P_{GDO} = 2 \times f_{SW} \times \left[4\text{A} \times \int_0^{T_{R_Sys}} (V_{DD} - V_{OUTA/B}(t)) dt + 6\text{A} \times \int_0^{T_{F_Sys}} V_{OUTA/B}(t) dt \right] \quad (15)$$

where

- $V_{OUTA/B}(t)$ is the gate driver OUTA and OUTB pin voltage during the turn on and off transient, and it can be simplified that a constant current source (4 A at turn-on and 6 A at turn-off) is charging/discharging a load capacitor. Then, the $V_{OUTA/B}(t)$ waveform will be linear and the T_{R_Sys} and T_{F_Sys} can be easily predicted.

For some scenarios, if only one of the pull-up or pull-down circuits is saturated and another one is not, the P_{GDO} will be a combination of Case 1 and Case 2, and the equations can be easily identified for the pull-up and pull-down based on the above discussion. Therefore, total gate driver loss dissipated in the gate driver UCC21220 and UCC21220A, P_{GD} , is:

$$P_{GD} = P_{GDQ} + P_{GDO} \quad (16)$$

which is equal to 127 mW in the design example.

9.2.2.5 Estimating Junction Temperature

The junction temperature (T_J) of the UCC21220 and UCC21220A can be estimated with 方程式 17:

$$T_J = T_C + \Psi_{JT} \times P_{GD} \quad (17)$$

where

- T_C is the UCC21220 and UCC21220A case-top temperature measured with a thermocouple or some other instrument, Ψ_{JT} is the junction-to-top characterization parameter from the 节 6.4 table. Importantly, Ψ_{JT} is

developed based on JEDEC standard PCB board and it is subject to change when the PCB board layout is different.

Using the junction-to-top characterization parameter (Ψ_{JT}) instead of the junction-to-case thermal resistance ($R_{\theta JC}$) can greatly improve the accuracy of the junction temperature estimation. The majority of the thermal energy of most ICs is released into the PCB through the package leads, whereas only a small percentage of the total energy is released through the top of the case (where thermocouple measurements are usually conducted). $R_{\theta JC}$ can only be used effectively when most of the thermal energy is released through the case, such as with metal packages or when a heatsink is applied to an IC package. In all other cases, use of $R_{\theta JC}$ will inaccurately estimate the true junction temperature. Ψ_{JT} is experimentally derived by assuming that the amount of energy leaving through the top of the IC will be similar in both the testing environment and the application environment. As long as the recommended layout guidelines are observed, junction temperature estimates can be made accurately to within a few degrees Celsius.

For more information, see the [节 11.1](#) and [Semiconductor and IC Package Thermal Metrics Application Report](#).

9.2.2.6 Selecting VCCI, VDDA/B Capacitor

Bypass capacitors for VCCI, VDDA, and VDDB are essential for achieving reliable performance. It is recommended that one choose low ESR and low ESL surface-mount multi-layer ceramic capacitors (MLCC) with sufficient voltage ratings, temperature coefficients and capacitance tolerances. Importantly, DC bias on an MLCC will impact the actual capacitance value. For example, a 25-V, 1- μ F X7R capacitor is measured to be only 500 nF when a DC bias of 15 V_{DC} is applied.

9.2.2.6.1 Selecting a VCCI Capacitor

A bypass capacitor connected to VCCI supports the transient current needed for the primary logic and the total current consumption, which is only a few mA. Therefore, a 25-V MLCC with over 100 nF is recommended for this application. If the bias power supply output is a relatively long distance from the VCCI pin, a tantalum or electrolytic capacitor, with a value over 1 μ F, should be placed in parallel with the MLCC.

9.2.2.6.2 Selecting a VDDA (Bootstrap) Capacitor

A VDDA capacitor, also referred to as a *bootstrap capacitor* in bootstrap power supply configurations, allows for gate drive current transients up to 6 A, and needs to maintain a stable gate drive voltage for the power transistor.

The total charge needed per switching cycle can be estimated with [方程式 18](#):

$$Q_{\text{Total}} = Q_G + \frac{I_{VDD} @ 100\text{kHz (No Load)}}{f_{\text{SW}}} = 100\text{nC} + \frac{1.5\text{mA}}{100\text{kHz}} = 115\text{nC} \quad (18)$$

where

- Q_G : Gate charge of the power transistor.
- I_{VDD} : The channel self-current consumption with no load at 100kHz.

Therefore, the absolute minimum C_{Boot} requirement is:

$$C_{\text{Boot}} = \frac{Q_{\text{Total}}}{\Delta V_{VDDA}} = \frac{115\text{nC}}{0.5\text{V}} = 230\text{nF} \quad (19)$$

where

- ΔV_{VDDA} is the voltage ripple at VDDA, which is 0.5 V in this example.

In practice, the value of C_{Boot} is greater than the calculated value. This allows for the capacitance shift caused by the DC bias voltage and for situations where the power stage would otherwise skip pulses due to load transients.

Therefore, it is recommended to include a safety-related margin in the C_{Boot} value and place it as close to the VDD and VSS pins as possible. A 50-V 1- μ F capacitor is chosen in this example.

$$C_{Boot} = 1\mu F \quad (20)$$

To further lower the AC impedance for a wide frequency range, it is recommended to have bypass capacitor with a low capacitance value, in this example a 100 nF, in parallel with C_{Boot} to optimize the transient performance.

备注

Too large C_{BOOT} is not good. C_{BOOT} may not be charged within the first few cycles and V_{BOOT} could stay below UVLO. As a result, the high-side FET does not follow input signal command. Also during initial C_{BOOT} charging cycles, the bootstrap diode has highest reverse recovery current and losses.

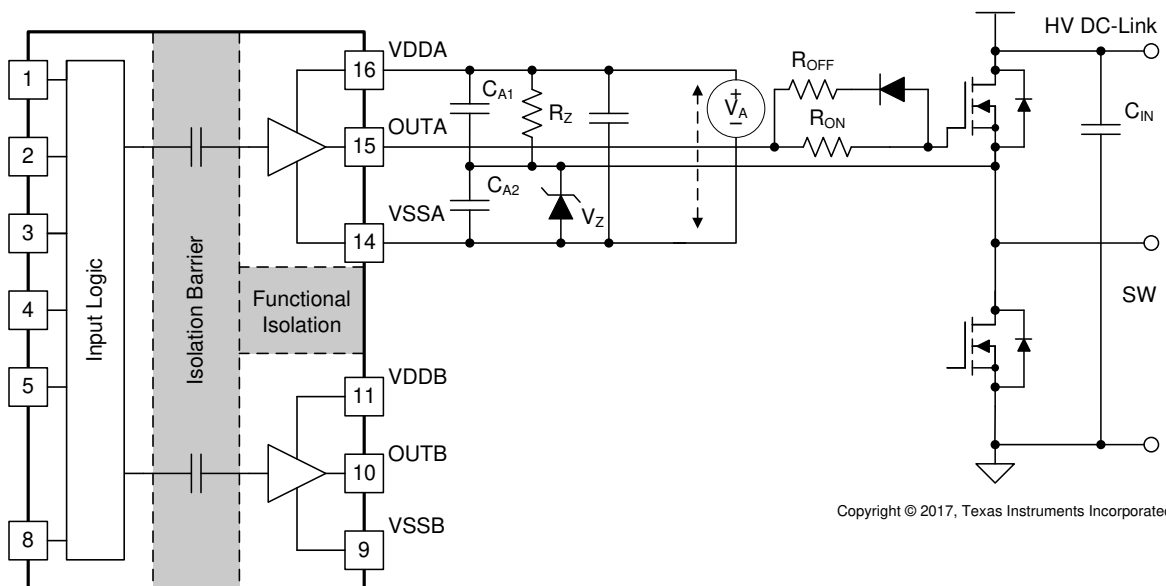
9.2.2.6.3 Select a VDDB Capacitor

Channel B has the same current requirements as Channel A, Therefore, a VDDB capacitor (Shown as C_{VDD} in 图 9-1) is needed. In this example with a bootstrap configuration, the VDDB capacitor will also supply current for VDDA through the bootstrap diode. A 50-V, 10- μ F MLCC and a 50-V, 220-nF MLCC are chosen for C_{VDD} . If the bias power supply output is a relatively long distance from the VDDB pin, a tantalum or electrolytic capacitor with a value over 10 μ F, should be used in parallel with C_{VDD} .

9.2.2.7 Application Circuits with Output Stage Negative Bias

When parasitic inductances are introduced by non-ideal PCB layout and long package leads (e.g. TO-220 and TO-247 type packages), there could be ringing in the gate-source drive voltage of the power transistor during high di/dt and dv/dt switching. If the ringing is over the threshold voltage, there is the risk of unintended turn-on and even shoot-through. Applying a negative bias on the gate drive is a popular way to keep such ringing below the threshold. Below are a few examples of implementing negative gate drive bias.

图 9-2 shows the first example with negative bias turn-off on the channel-A driver using a Zener diode on the isolated power supply output stage. The negative bias is set by the Zener diode voltage. If the isolated power supply, V_A , is equal to 17 V, the turn-off voltage will be -5.1 V and turn-on voltage will be 17 V $- 5.1$ V ≈ 12 V. The channel-B driver circuit is the same as channel-A, therefore, this configuration needs two power supplies for a half-bridge configuration, and there will be steady state power consumption from R_Z .



Copyright © 2017, Texas Instruments Incorporated

图 9-2. Negative Bias with Zener Diode on Iso-Bias Power Supply Output

图 9-3 shows another example which uses two supplies (or single-input-double-output power supply). Power supply V_{A+} determines the positive drive output voltage and V_{A-} determines the negative turn-off voltage. The configuration for channel B is the same as channel A. This solution requires more power supplies than the first example, however, it provides more flexibility when setting the positive and negative rail voltages.

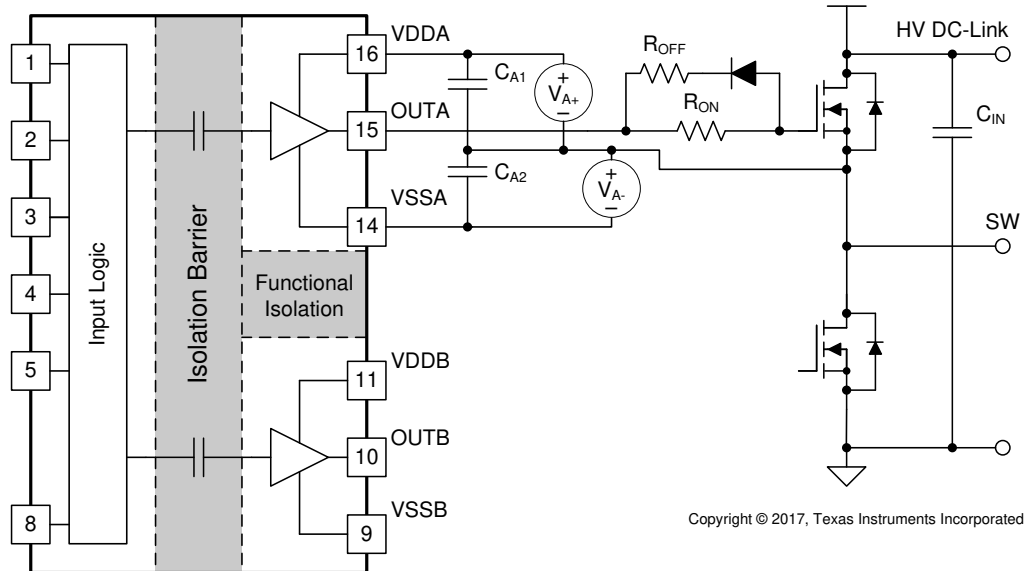
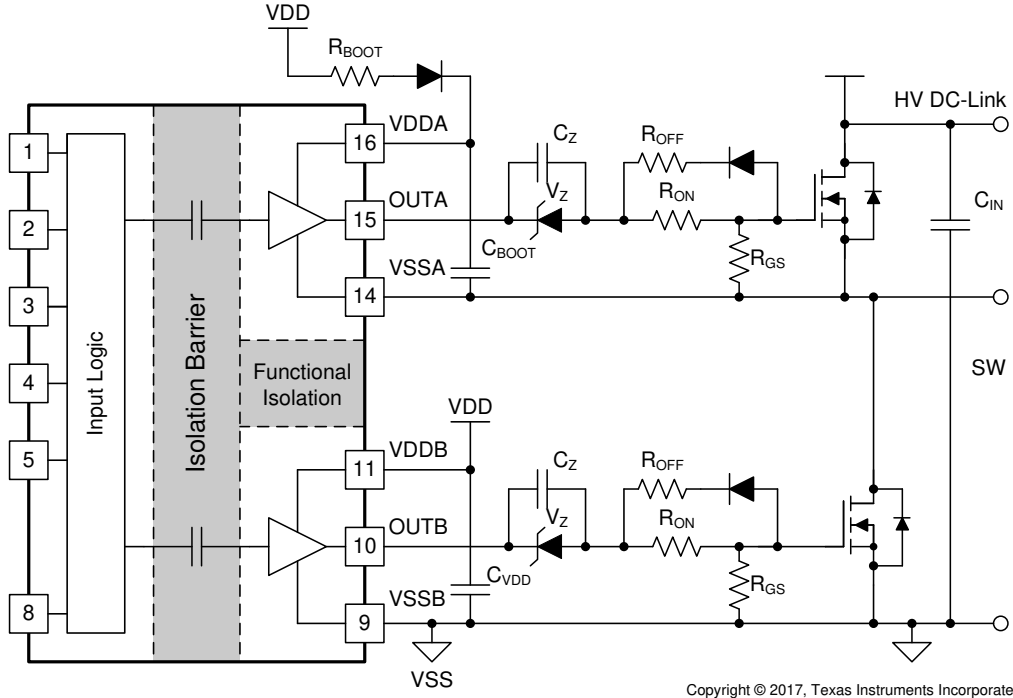


图 9-3. Negative Bias with Two Iso-Bias Power Supplies

The last example in 图 9-4 is a single power supply configuration and generates negative bias through a Zener diode in the gate drive loop. The benefit of this solution is that it only uses one power supply and the bootstrap power supply can be used for the high side drive. This design requires the least cost and design effort among the three solutions. However, this solution has limitations:

1. The negative gate drive bias is not only determined by the Zener diode, but also by the duty cycle, which means the negative bias voltage will change when the duty cycle changes. Therefore, converters with a fixed duty cycle (about 50%) such as variable frequency resonant converters or phase shift converters which favor this solution.
2. The high side V_{DDA} - V_{SSA} must maintain enough voltage to stay in the recommended power supply range, which means the low side switch must turn-on or have free-wheeling current on the body (or anti-parallel) diode for a certain period during each switching cycle to refresh the bootstrap capacitor. Therefore, a 100% duty cycle for the high side is not possible unless there is a dedicated power supply for the high side, like in the other two example circuits.



Copyright © 2017, Texas Instruments Incorporated

图 9-4. Negative Bias with Single Power Supply and Zener Diode in Gate Drive Path

9.2.3 Application Curves

图 9-5 和 图 9-6 展示了设计示例中所示的图 9-1 下的这些条件的基准测试波形： $V_{CC} = 5.0\text{ V}$ ， $V_{DD} = 12\text{ V}$ ， $f_{SW} = 100\text{ kHz}$ ， $V_{DC-Link} = 400\text{ V}$ 。

Channel 1 (Yellow): INA pin signal.

Channel 2 (Blue): INB pin signal.

Channel 3 (Pink): Gate-source signal on the high side power transistor.

Channel 4 (Green): Gate-source signal on the low side power transistor.

在图 9-5 中，INA 和 INB 发送互补的 3.3-V、20%/80% 占空比信号，具有 200ns 死时间。功率晶体管的栅极驱动信号具有 200-ns 死时间，具有 400V 高压，如测量部分图 9-5 所示。注意，当高压存在时，需要较低带宽的差分探头，这限制了测量的可实现精度。

图 9-6 显示了图 9-5 的波形的放大版本，具有传播延迟和死时间的测量。重要的是，输出波形是在功率晶体管的栅极和源极引脚之间测量的，而不是直接从驱动器的 OUTA 和 OUTB 引脚测量的。

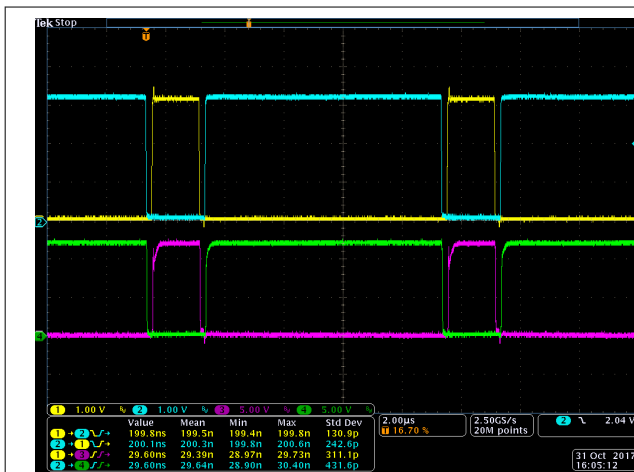


图 9-5. Bench Test Waveform for INA/B and OUTA/B

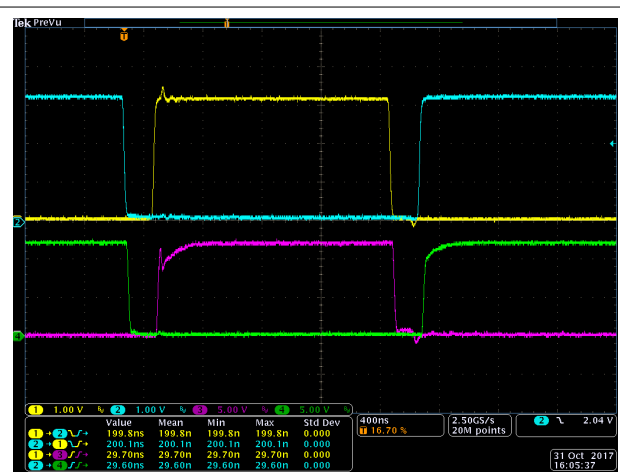


图 9-6. Zoomed-In bench-test waveform

10 Power Supply Recommendations

The recommended input supply voltage (VCCI) for UCC21220 and UCC21220A is between 3 V and 5.5 V. The output bias supply voltage (VDDA/VDDDB) range from 9.2 V to 25 V. The lower end of this bias supply range is governed by the internal undervoltage lockout (UVLO) protection feature of each device. One must not let VDD or VCCI fall below their respective UVLO thresholds (for more information on UVLO, see [节 8.3.1](#)). The upper end of the VDDA/VDDDB range depends on the maximum gate voltage of the power device being driven by UCC21220 and UCC21220A. The UCC21220 and UCC21220A have a recommended maximum VDDA/VDDDB of 25 V.

A local bypass capacitor should be placed between the VDD and VSS pins. Position this capacitor as close to the device as possible. A low ESR, ceramic surface mount capacitor is recommended. Place two capacitors, including one with a value of $\approx 10\text{-}\mu\text{F}$ for device biasing, and an additional $\leq 100\text{-nF}$ capacitor in parallel for high-frequency filtering.

Similarly, place a bypass capacitor between the VCCI and GND pins. Given the small amount of current drawn by the logic circuitry within the input side of UCC21220 and UCC21220A, this bypass capacitor has a minimum recommended value of 100 nF.

11 Layout

11.1 Layout Guidelines

Consider these PCB layout guidelines for in order to achieve optimum performance for the UCC21220 and UCC21220A.

11.1.1 Component Placement Considerations

- Low-ESR and low-ESL capacitors must be connected close to the device between the VCCI and GND pins and between the VDD and VSS pins to support high peak currents when turning on the external power transistor.
- To avoid large negative transients on the switch node VSSA (HS) pin, the parasitic inductances between the source of the top transistor and the source of the bottom transistor must be minimized.
- It is recommended to bypass using a ≥ 1 -nF low ESR/ESL capacitor, C_{DIS} , close to DIS pin when connecting to a μC with distance

11.1.2 Grounding Considerations

- It is essential to confine the high peak currents that charge and discharge the transistor gates to a minimal physical area. This will decrease the loop inductance and minimize noise on the gate terminals of the transistors. The gate driver must be placed as close as possible to the transistors.
- Pay attention to high current path that includes the bootstrap capacitor, bootstrap diode, local VSSB-referenced bypass capacitor, and the low-side transistor body/anti-parallel diode. The bootstrap capacitor is recharged on a cycle-by-cycle basis through the bootstrap diode by the VDD bypass capacitor. This recharging occurs in a short time interval and involves a high peak current. Minimizing this loop length and area on the circuit board is important for ensuring reliable operation.

11.1.3 High-Voltage Considerations

- To ensure isolation performance between the primary and secondary side, one should avoid placing any PCB traces or copper below the driver device. A PCB cutout is recommended in order to prevent contamination that may compromise the UCC21220 and UCC21220A isolation performance.
- For half-bridge, or high-side/low-side configurations, one should try to increase the clearance distance of the PCB layout between the high and low-side PCB traces.

11.1.4 Thermal Considerations

- A large amount of power may be dissipated by the UCC21220 and UCC21220A if the driving voltage is high, the load is heavy, or the switching frequency is high (refer to 节 9.2.2.4 for more details). Proper PCB layout can help dissipate heat from the device to the PCB and minimize junction to board thermal impedance (θ_{JB}).
- Increasing the PCB copper connecting to VDDA, VDDB, VSSA and VSSB pins is recommended, with priority on maximizing the connection to VSSA and VSSB (see 图 11-2 and 图 11-3). However, high voltage PCB considerations mentioned above must be maintained.
- If there are multiple layers in the system, it is also recommended to connect the VDDA, VDDB, VSSA and VSSB pins to internal ground or power planes through multiple vias of adequate size. Ensure that no traces or coppers from different high-voltage planes overlap.

11.2 Layout Example

图 11-1 shows a 2-layer PCB layout example with the signals and key components labeled.

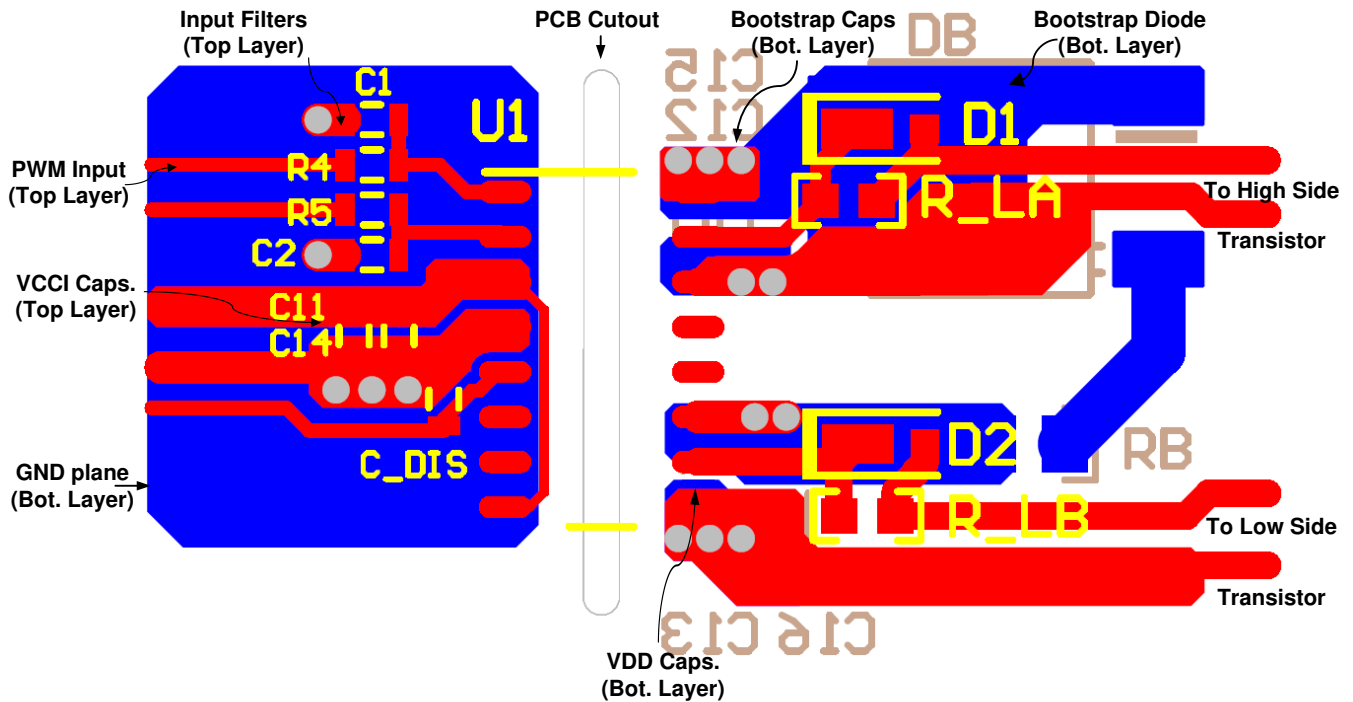


图 11-1. Layout Example

图 11-2 和 图 11-3 shows top and bottom layer traces and copper.

备注

There are no PCB traces or copper between the primary and secondary side, which ensures isolation performance.

PCB traces between the high-side and low-side gate drivers in the output stage are increased to maximize the creepage distance for high-voltage operation, which will also minimize cross-talk between the switching node VSSA (SW), where high dv/dt may exist, and the low-side gate drive due to the parasitic capacitance coupling.

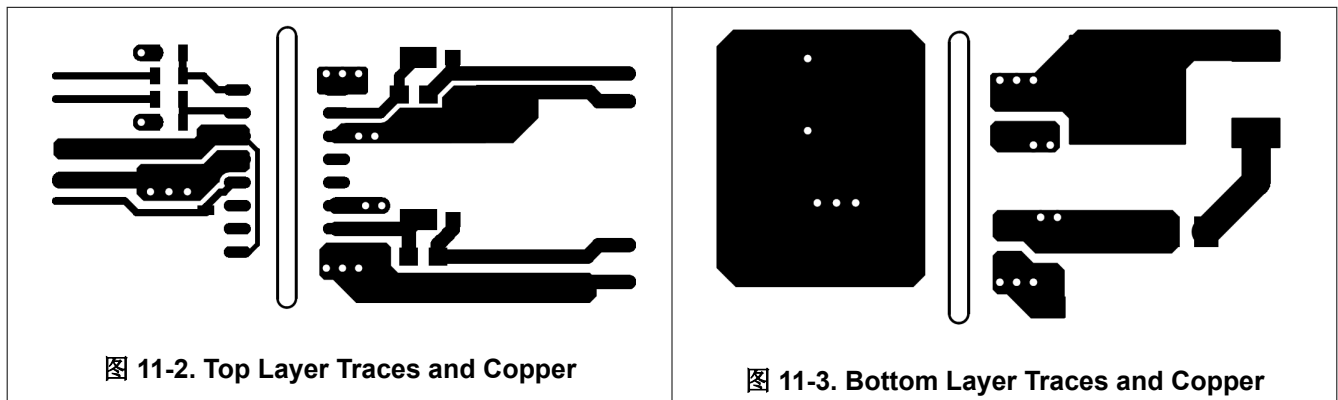


图 11-2. Top Layer Traces and Copper

图 11-3. Bottom Layer Traces and Copper

图 11-4 和 图 11-5 是 3D 布局图片，带有顶部视图和底部视图。

备注

The location of the PCB cutout between the primary side and secondary sides, which ensures isolation performance.

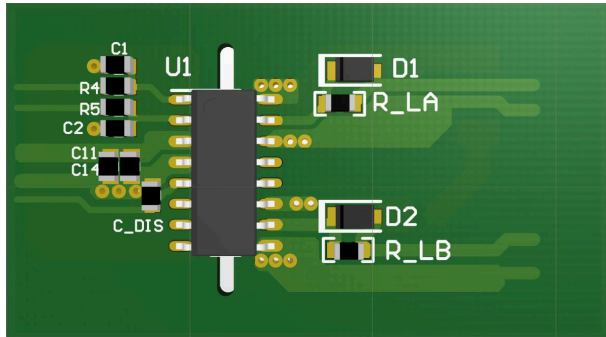


图 11-4. 3-D PCB Top View

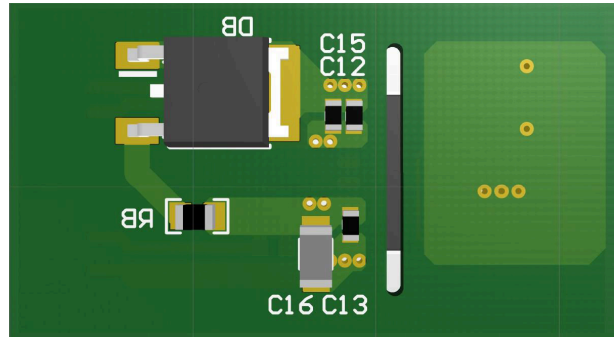


图 11-5. 3-D PCB Bottom View

12 Device and Documentation Support

12.1 第三方产品免责声明

TI 发布的与第三方产品或服务有关的信息，不能构成与此类产品或服务或保修的适用性有关的认可，不能构成此类产品或服务单独或与任何 TI 产品或服务一起的表示或认可。

12.2 Documentation Support

12.2.1 Related Documentation

For related documentation see the following:

- [Isolation Glossary](#)

12.3 Receiving Notification of Documentation Updates

To receive notification of documentation updates, navigate to the device product folder on ti.com. In the upper right corner, click on *Alert me* to register and receive a weekly digest of any product information that has changed. For change details, review the revision history included in any revised document.

12.4 支持资源

TI E2E™ [中文支持论坛](#) 是工程师的重要参考资料，可直接从专家处获得快速、经过验证的解答和设计帮助。搜索现有解答或提出自己的问题，获得所需的快速设计帮助。

链接的内容由各个贡献者“按原样”提供。这些内容并不构成 TI 技术规范，并且不一定反映 TI 的观点；请参阅 TI 的 [使用条款](#)。

12.5 Trademarks

TI E2E™ is a trademark of Texas Instruments.

所有商标均为其各自所有者的财产。

12.6 静电放电警告



静电放电 (ESD) 会损坏这个集成电路。德州仪器 (TI) 建议通过适当的预防措施处理所有集成电路。如果不遵守正确的处理和安装程序，可能会损坏集成电路。

ESD 的损坏小至导致微小的性能降级，大至整个器件故障。精密的集成电路可能更容易受到损坏，这是因为非常细微的参数更改都可能会导致器件与其发布的规格不相符。

12.7 术语表

[TI 术语表](#) 本术语表列出并解释了术语、首字母缩略词和定义。

13 Revision History

注：以前版本的页码可能与当前版本的页码不同

| Changes from Revision F (February 2024) to Revision G (November 2024) | Page |
|---|------|
| • 更新了“特性”部分以反映器件特性..... | 1 |
| • 将 CMTI 从大于 100V/ns 更改为大于 125V/ns..... | 1 |
| • 将传播延迟从 40ns 最大值更改为 33ns 典型值..... | 1 |
| • 删除了关于最大延迟匹配的要点..... | 1 |
| • 将最大脉宽失真从 5.5ns 更改为 5ns..... | 1 |
| • 将 VDD 上电延迟最大值从 35us 更改为 10us..... | 1 |
| • 将最大 VDD 输出驱动电源电压从 18V 更改为 25V..... | 1 |
| • 将工作温度范围更改为结温范围..... | 1 |
| • 删除了关于抑制短于 5ns 的输入脉冲的要点..... | 1 |
| • 将认证更新为最新标准..... | 1 |

| | |
|--|---|
| • 将 CMTI 从大于 100V/ns 更改为大于 125V/ns..... | 1 |
| • 删除了有关抑制短瞬变的输入和耐受电压尖峰的输入/输出的句子..... | 1 |
| • 将有源下拉电阻从 2.1V 最大值更改为 2V 最大值..... | 1 |
| • Changed 5V UVLO recommended VDD supply minimum from 6V to 6.5V..... | 3 |
| • Changed DIS pin description; leaving DIS pin open would disable the device..... | 3 |
| • Changed VDDA-VSSA and VDDB-VSSB absmax from 20V to 30V..... | 4 |
| • Changed all -0.5V minimum to -0.3V to keep consistent with newly released datasheets..... | 4 |
| • Changed all absolute maximum value from supply+0.5V to supply+0.3V to keep consistent with newly released datasheets..... | 4 |
| • Deleted input signal voltage transient spec..... | 4 |
| • Updated ESD spec from HBM = ±4000 and CDM = ±1500 to HBM = ±2000 and CDM = ±1000 to match ESD industry standards..... | 4 |
| • Changed VDDA-VSSA and VDDB-VSSB recommended max from 18V to 25V..... | 4 |
| • Changed 5V-UVLO recommended minimum VDDA/B voltage from 6V to 6.5V..... | 4 |
| • Deleted ambient temperature spec..... | 4 |
| • Changed junction temperature max from 130°C to 150°C..... | 4 |
| • Updated thermal values from $R_{\theta JA} = 68.5^{\circ}\text{C/W}$, $R_{\theta JC(\text{top})} = 30.5^{\circ}\text{C/W}$, $R_{\theta JB} = 22.8^{\circ}\text{C/W}$, $\psi_{JT} = 17.1^{\circ}\text{C/W}$, $\psi_{JB} = 22.5^{\circ}\text{C/W}$ to $R_{\theta JA} = 80.2^{\circ}\text{C/W}$, $R_{\theta JC(\text{top})} = 36.6^{\circ}\text{C/W}$, $R_{\theta JB} = 45^{\circ}\text{C/W}$, $\psi_{JT} = 28^{\circ}\text{C/W}$, $\psi_{JB} = 44.3^{\circ}\text{C/W}$ | 5 |
| • Updated values from PD = 1825mW, PDI = 15mW, PDA/PDB = 905mW to PD = 950mW, PDI = 50mW, PDA/PDB = 450mW. Changed test conditions. | 5 |
| • Updated DIN EN IEC to the latest standard, updated insulation voltage values..... | 6 |
| • Updated barrier capacitance value..... | 6 |
| • Deleted safety-related certifications section, certification ongoing..... | 6 |
| • Changed IS testing condition. Changed IS value from 75mA (with VDDA/B=12V) to 50mA (with VDDA/B=15V) and 30mA (with VDDA/B=25V). | 7 |
| • Updated safety-limiting values from PS = 15mW/905mW/905mW/1825mW to PS = 50mW/750mW/750mW/1550mW | 7 |
| • Updated IVCCI quiescent current spec Typ value from 1.5mA to 1.4mA..... | 8 |
| • Updated IVDDA/IVDDB quiescent current spec Typ from 1.0mA to 1.2mA and Max value from 1.8mA to 2.0mA..... | 8 |
| • Updated IVCCI operating current Typ value from 2.5mA to 2.7mA and added Max value 3.2mA..... | 8 |
| • Updated IVDDA/IVDDB operating current Typ value from 2.5mA to 2.7mA and added Max value 4.4mA. Deleted Cloud from test condition. | 8 |
| • Updated values from Rising threshold Min = 5.0V, Typ = 5.5V, Max = 5.9V to Min = 5.7V, Typ = 6.0V, Max = 6.3V | 8 |
| • Updated values from Falling threshold Min = 4.7V, Typ = 5.2V, Max = 5.6V to Min = 5.4V, Typ = 5.7V, Max = 6.0V | 8 |
| • Updated values from Rising threshold Min = 8V, Typ = 8.5V, Max = 9V to Min = 7.7V, Typ = 8.5V, Max = 8.9V | 8 |
| • Updated values from Falling threshold Min = 7.5V, Typ = 8V, Max = 8.5V to Min = 7.2V, Typ = 7.9V, Max = 8.4V | 8 |
| • Updated 8-V UVLO hysteresis typ = 0.5V to 0.6V..... | 8 |
| • Updated Input high threshold Typ = 1.8V, Max = 2V to Typ = 2V, Max = 2.3V. Deleted Min spec..... | 8 |
| • Deleted Input low threshold voltage Max spec..... | 8 |
| • Updated Input threshold hysteresis Typ = 0.8V to Typ = 1V..... | 8 |
| • Updated peak current test condition to 0.22uF load capacitance. Changed peak output source current direction..... | 8 |
| • Updated output resistance test condition from ±10mA to ±5mA..... | 8 |
| • Deleted output voltage at high/low state specs..... | 8 |

- Updated active pull-down Typ = 1.75V, Max = 2.1V to Typ = 1.6V, Max = 2V..... 8
- Changed output rise time Typ from 5ns to 8ns. Deleted Max value..... 9
- Changed output fall time Typ from 6ns to 8ns. Deleted Max value..... 9
- Changed minimum pulse width from Typ = 10ns, Max = 20ns to Min = 4ns, Typ = 12ns, Max = 30ns..... 9
- Changed propagation delay TPDHL and TPDLH from Typ=28ns, Max = 40ns to Min = 26ns, Typ = 33ns, Max = 45ns..... 9
- Changed pulse width distortion max from 5.5ns to 5ns..... 9
- Changed propagation delay matching from Max = 5ns to Max = 6.5ns from TJ = -40C to -10C and Max = 5ns from TJ = -10C to 150C..... 9
- Changed VCCI power-up delay from Typ = 40us, Max = 59us to Min = 18us, Typ = 42us, Max = 80us..... 9
- Deleted VDD power up delay Typ 22us and changed Max from 35us to 10us..... 9
- Updated CMTI from Min = 100V/ns to 125V/ns..... 9
- Updated thermal curves to match updated characteristics..... 10
- Updated typical char plots to show device characteristics 11
- Deleted language on deglitch filter. Changed minimum pulse width from typical 10ns to 12ns..... 14
- Updated UVLO delay to match new specs..... 15
- Updated functional block diagram to reflect device characteristics..... 17
- Changed logic table; leaving DIS pin open disables the driver..... 19
- Updated input stage section to match new specs..... 19
- Added paragraph on minimum pulse width to Output Stage section..... 20
- Updated ESD structure diagram to reflect device characteristics..... 20
- Updated device operation mode when DIS is floating. Added recommendation of bypass capacitor..... 21
- Changed maximum VDDA/VDDDB from 18V to 25V..... 33

| Changes from Revision E (May 2019) to Revision F (February 2024) | Page |
|--|-------------|
| • Changed CTI and Material Group values in insulation specifications and added table note..... | 6 |

| Changes from Revision D (December 2018) to Revision E (May 2019) | Page |
|--|-------------|
| • 更改了“特性”、“应用”和“说明”部分..... | 1 |
| • 将“功能框图”更改为“典型应用”..... | 1 |
| • Added maximum VCCI Power-up Delay Time: UVLO Rise to OUTA, OUTB..... | 9 |
| • Added maximum VDDA, VDDDB Power-up Delay Time: UVLO Rise to OUTA, OUTB | 9 |

| Changes from Revision C (August 2018) to Revision D (December 2018) | Page |
|--|-------------|
| • 将 UCC21220A 的销售状态从“产品预发布”更改成了“初始发行版” | 1 |

14 Mechanical, Packaging, and Orderable Information

The following pages include mechanical, packaging, and orderable information. This information is the most current data available for the designated devices. This data is subject to change without notice and revision of this document. For browser-based versions of this data sheet, refer to the left-hand navigation.

PACKAGING INFORMATION

| Orderable Device | Status (1) | Package Type | Package Drawing | Pins | Package Qty | Eco Plan (2) | Lead finish/ Ball material (6) | MSL Peak Temp (3) | Op Temp (°C) | Device Marking (4/5) | Samples |
|------------------|---------------|--------------|-----------------|------|-------------|-----------------|--------------------------------------|----------------------|--------------|-------------------------|---------|
| UCC21220AD | LIFEBUY | SOIC | D | 16 | 40 | RoHS & Green | NIPDAU | Level-2-260C-1 YEAR | -40 to 125 | 21220A | |
| UCC21220ADR | ACTIVE | SOIC | D | 16 | 2500 | RoHS & Green | NIPDAU | Level-2-260C-1 YEAR | -40 to 125 | 21220A | Samples |
| UCC21220D | LIFEBUY | SOIC | D | 16 | 40 | RoHS & Green | NIPDAU | Level-2-260C-1 YEAR | -40 to 125 | 21220 | |
| UCC21220DR | ACTIVE | SOIC | D | 16 | 2500 | RoHS & Green | NIPDAU | Level-2-260C-1 YEAR | -40 to 125 | 21220 | Samples |

(1) The marketing status values are defined as follows:

ACTIVE: Product device recommended for new designs.

LIFEBUY: TI has announced that the device will be discontinued, and a lifetime-buy period is in effect.

NRND: Not recommended for new designs. Device is in production to support existing customers, but TI does not recommend using this part in a new design.

PREVIEW: Device has been announced but is not in production. Samples may or may not be available.

OBSELETE: TI has discontinued the production of the device.

(2) **RoHS:** TI defines "RoHS" to mean semiconductor products that are compliant with the current EU RoHS requirements for all 10 RoHS substances, including the requirement that RoHS substance do not exceed 0.1% by weight in homogeneous materials. Where designed to be soldered at high temperatures, "RoHS" products are suitable for use in specified lead-free processes. TI may reference these types of products as "Pb-Free".

RoHS Exempt: TI defines "RoHS Exempt" to mean products that contain lead but are compliant with EU RoHS pursuant to a specific EU RoHS exemption.

Green: TI defines "Green" to mean the content of Chlorine (Cl) and Bromine (Br) based flame retardants meet JS709B low halogen requirements of <=1000ppm threshold. Antimony trioxide based flame retardants must also meet the <=1000ppm threshold requirement.

(3) MSL, Peak Temp. - The Moisture Sensitivity Level rating according to the JEDEC industry standard classifications, and peak solder temperature.

(4) There may be additional marking, which relates to the logo, the lot trace code information, or the environmental category on the device.

(5) Multiple Device Markings will be inside parentheses. Only one Device Marking contained in parentheses and separated by a "~" will appear on a device. If a line is indented then it is a continuation of the previous line and the two combined represent the entire Device Marking for that device.

(6) Lead finish/Ball material - Orderable Devices may have multiple material finish options. Finish options are separated by a vertical ruled line. Lead finish/Ball material values may wrap to two lines if the finish value exceeds the maximum column width.

Important Information and Disclaimer:The information provided on this page represents TI's knowledge and belief as of the date that it is provided. TI bases its knowledge and belief on information provided by third parties, and makes no representation or warranty as to the accuracy of such information. Efforts are underway to better integrate information from third parties. TI has taken and continues to take reasonable steps to provide representative and accurate information but may not have conducted destructive testing or chemical analysis on incoming materials and chemicals. TI and TI suppliers consider certain information to be proprietary, and thus CAS numbers and other limited information may not be available for release.

In no event shall TI's liability arising out of such information exceed the total purchase price of the TI part(s) at issue in this document sold by TI to Customer on an annual basis.

TAPE AND REEL INFORMATION

QUADRANT ASSIGNMENTS FOR PIN 1 ORIENTATION IN TAPE


*All dimensions are nominal

| Device | Package Type | Package Drawing | Pins | SPQ | Reel Diameter (mm) | Reel Width W1 (mm) | A0 (mm) | B0 (mm) | K0 (mm) | P1 (mm) | W (mm) | Pin1 Quadrant |
|-------------|--------------|-----------------|------|------|--------------------|--------------------|---------|---------|---------|---------|--------|---------------|
| UCC21220ADR | SOIC | D | 16 | 2500 | 330.0 | 16.4 | 6.5 | 10.3 | 2.1 | 8.0 | 16.0 | Q1 |
| UCC21220DR | SOIC | D | 16 | 2500 | 330.0 | 16.4 | 6.5 | 10.3 | 2.1 | 8.0 | 16.0 | Q1 |

TAPE AND REEL BOX DIMENSIONS


*All dimensions are nominal

| Device | Package Type | Package Drawing | Pins | SPQ | Length (mm) | Width (mm) | Height (mm) |
|-------------|--------------|-----------------|------|------|-------------|------------|-------------|
| UCC21220ADR | SOIC | D | 16 | 2500 | 356.0 | 356.0 | 35.0 |
| UCC21220DR | SOIC | D | 16 | 2500 | 356.0 | 356.0 | 35.0 |

TUBE


*All dimensions are nominal

| Device | Package Name | Package Type | Pins | SPQ | L (mm) | W (mm) | T (μm) | B (mm) |
|------------|--------------|--------------|------|-----|--------|--------|--------|--------|
| UCC21220AD | D | SOIC | 16 | 40 | 505.46 | 6.76 | 3810 | 4 |
| UCC21220AD | D | SOIC | 16 | 40 | 506.6 | 8 | 3940 | 4.32 |
| UCC21220D | D | SOIC | 16 | 40 | 506.6 | 8 | 3940 | 4.32 |
| UCC21220D | D | SOIC | 16 | 40 | 505.46 | 6.76 | 3810 | 4 |

D (R-PDSO-G16)

PLASTIC SMALL OUTLINE



- NOTES:
- A. All linear dimensions are in inches (millimeters).
 - B. This drawing is subject to change without notice.
 - C. Body length does not include mold flash, protrusions, or gate burrs. Mold flash, protrusions, or gate burrs shall not exceed 0.006 (0,15) each side.
 - D. Body width does not include interlead flash. Interlead flash shall not exceed 0.017 (0,43) each side.
 - E. Reference JEDEC MS-012 variation AC.

重要声明和免责声明

TI“按原样”提供技术和可靠性数据（包括数据表）、设计资源（包括参考设计）、应用或其他设计建议、网络工具、安全信息和其他资源，不保证没有瑕疵且不做任何明示或暗示的担保，包括但不限于对适销性、某特定用途方面的适用性或不侵犯任何第三方知识产权的暗示担保。

这些资源可供使用 TI 产品进行设计的熟练开发人员使用。您将自行承担以下全部责任：(1) 针对您的应用选择合适的 TI 产品，(2) 设计、验证并测试您的应用，(3) 确保您的应用满足相应标准以及任何其他功能安全、信息安全、监管或其他要求。

这些资源如有变更，恕不另行通知。TI 授权您仅可将这些资源用于研发本资源所述的 TI 产品的应用。严禁对这些资源进行其他复制或展示。您无权使用任何其他 TI 知识产权或任何第三方知识产权。您应全额赔偿因在这些资源的使用中对 TI 及其代表造成的任何索赔、损害、成本、损失和债务，TI 对此概不负责。

TI 提供的产品受 [TI 的销售条款](#) 或 [ti.com](#) 上其他适用条款/TI 产品随附的其他适用条款的约束。TI 提供这些资源并不会扩展或以其他方式更改 TI 针对 TI 产品发布的适用的担保或担保免责声明。

TI 反对并拒绝您可能提出的任何其他或不同的条款。

邮寄地址：Texas Instruments, Post Office Box 655303, Dallas, Texas 75265

Copyright © 2024，德州仪器 (TI) 公司