



说明

此汽车参考设计展示了一种通常通过同轴电缆为远程、非板载负载供电的方法。此设计可防御各种非板载布线导致的故障，且具有数字诊断功能。I²C 和故障标志可以防御并诊断反极性、反向电流、电池短路、接地短路和热关断。该器件具有集成反向电流保护特性，无需在器件输出端使用外部二极管，因此可节省成本并避免压降增大。

资源

TIDA-01569	设计文件夹
TPS7B7702-Q1	产品文件夹
ADS7142	产品文件夹
TPS7B69-Q1	产品文件夹



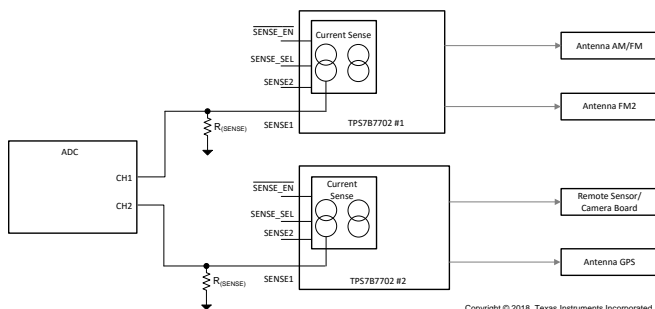
咨询我们的 E2E 专家

特性

- 4.5V 至 40V 宽输入电压范围和 45V 负载突降
- 可调节输出电压范围为 1.5V 至 20V，每通道的输出电流高达 300mA
- 高精度检测天线的开路、正常、过流和短路
 - I/O < 10mA 时为 20%
- I²C 兼容接口：两线制 I²C 可支持 1.8V 和 3.3V 电压
- 通道和器件之间的多路复用电流检测可节省 ADC 通道
- 智能数字 特性
 - 配备可编程高低阈值的数字窗口比较器
 - 数据缓冲器和累加器
- 全面诊断和集成保护
 - 能够利用 I²C 通过电流检测功能区分所有故障
 - 开路负载检测
 - 反向电池极性保护
 - 输出过流检测
 - 输出电感负载钳位在 -1V

应用

- 汽车音响主机
- 汽车售后市场音响主机
- 汽车紧急呼叫系统
- 汽车 TCU
- 汽车传感器融合
- 汽车环视系统 ECU





该 TI 参考设计末尾的重要声明表述了授权使用、知识产权问题和其他重要的免责声明和信息。

1 System Description

The end equipment for many automotive infotainment systems and advanced driver assistance systems (ADAS) require use of a remote phantom power supply. Antennas, remote sensor boards, and microphones are all pieces of end equipment that require a remote phantom power supply. Typically, this power is delivered over a coaxial cable and can span 1 m to 5 m in length. Diagnostics are crucial in these applications because such long spans of cable can face exposure to a variety of faults, such as shorting to the ground and battery, or becoming an open circuit. Antennas are often present at different locations on a vehicle and in a variety of form factors. Additionally, a single-antenna unit may encompass multiple communication functions and low-noise amplifiers; for example, some cars may have an AM/FM antenna on the rear window as well as a shark fin antenna on top of the car for cellular, GPS, and satellite radio. These various antenna types usually require the allocation of several channels from an antenna low-dropout linear regulator (LDO).. Powering a remote camera or sensor board is also a common application for antenna LDOs in automotive applications, in addition to microphones, which are used for hands-free communication. Microphones typically require a separate location from the head unit because the power must be provided through the same transmission lines as the data.

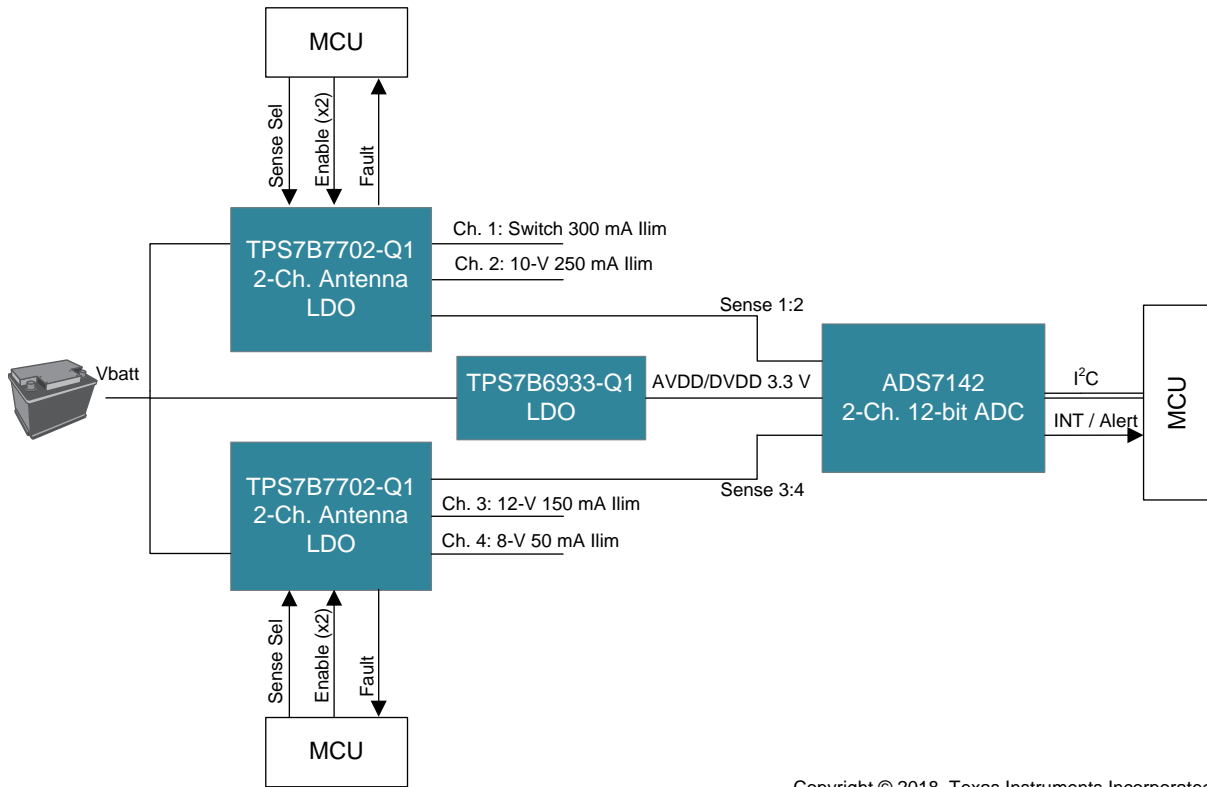
1.1 Key System Specifications

表 1. Key System Specifications

PARAMETER	SPECIFICATIONS	DETAILS
Input voltage	13.5 V	
Output channels	4	节 2.3.1
Channel 1	Output 1 on LDO 1 (U4)	
Output voltage	Switch ($V_{IN} - V_{DROP}$)	节 2.3.2
Current limit	300 mA	节 2.3.5
Channel 2	Output 2 on LDO 1 (U4)	
Output voltage	12 V	节 2.3.2
Current limit	250 mA	节 2.3.5
Channel 3	Output 1 on LDO 2 (U1)	
Output voltage	10 V	节 2.3.2
Current limit	150 mA	节 2.3.5
Channel 4	Output 2 on LDO 2 (U1)	
Output voltage	8 V	节 2.3.2
Current limit	50 mA	节 2.3.5
Board size	56 mm × 58 mm	节 2.3.3
Solution size	17 mm × 23 mm (approximately 390 mm ²)	节 2.3.3

2 System Overview

2.1 Block Diagram



Copyright © 2018, Texas Instruments Incorporated

图 1. TIDA-01569 Block Diagram

2.2 Highlighted Products

2.2.1 TPS7B7702-Q1

The TPS7B770x-Q1 family of devices are single- or dual-channel, high-voltage, LDO regulators with a current-sense function. The device is designed to operate with a wide input-voltage range of 4.5 V to 40 V (45-V load dump protection). The device also offers protection against electrostatic discharge (ESD) for antenna lines and protection from short-to-ground, short-to-battery (STB), and thermal overstress. The device output voltage is adjustable from 1.5 V to 20 V through an external resistor divider. Alternatively, each channel can be configured as a switch.

The device monitors the load. Accurate current sense allows for detection of open, normal, and short-circuit conditions without the need for further calibration. The current sense can also be multiplexed between channels and devices to save analog-to-digital converter (ADC) resources. Each channel also provides an adjustable current limit with the external resistor.

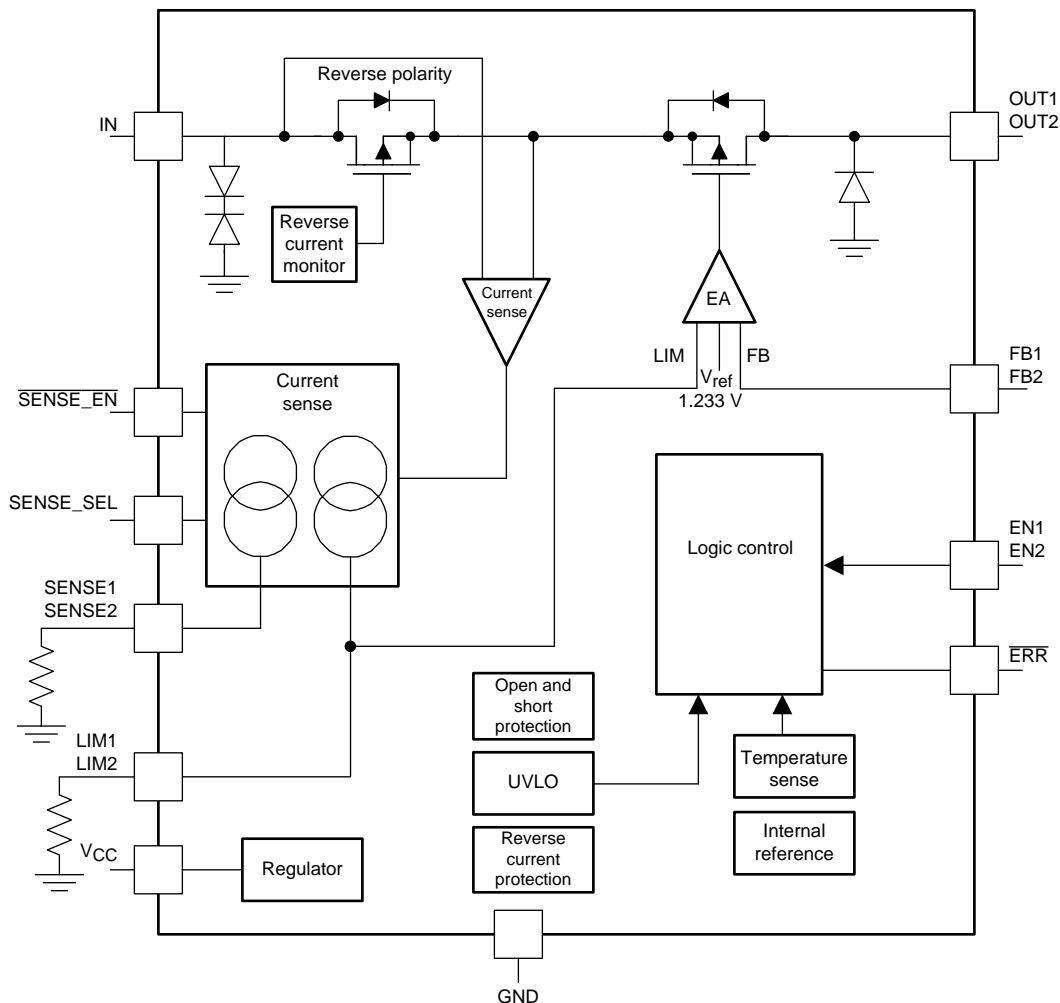


图 2. TPS7B7702-Q1 Functional Block Diagram

2.2.1.1 Fault Detection and Protection

The device includes both analog current sense and digital fault pins for full diagnostics of different fault conditions.

The current-sense voltage scale is selected based on the output current range of interest. 图 3 shows a recommended setting that allows for full diagnostics of each fault. Before the device goes into current-limit mode, the output current-sense voltage is linearly proportional to the actual load current. During a thermal-shutdown (TSD) or STB condition, the current-sense voltage is set to the fault voltage level that is specified in the Electrical Characteristics table available in [TPS7B770x-Q1 Single- and Dual-Channel Antenna LDO With Current Sense](#).

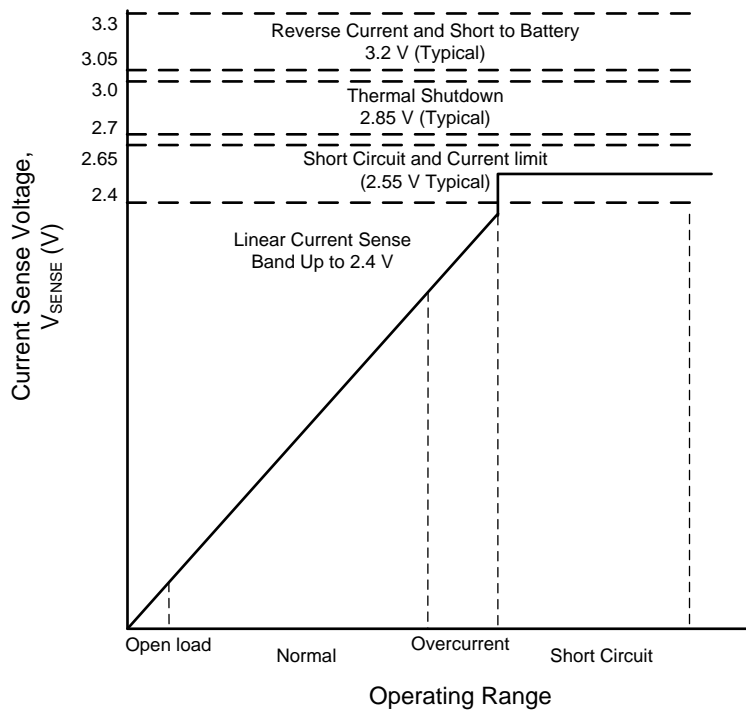


图 3. Functionality of Current-Sense Output

2.2.2 ADS4172

The ADS7142 is a nano-power, dual-channel, programmable sensor monitor with an integrated ADC, input multiplexer, digital comparator, data buffer, accumulator, and internal oscillator. The input multiplexer (see the Analog Input and Multiplexer section of [ADS7142 Nanopower, Dual-Channel, Programmable Sensor Monitor](#)) can either be configured as two single-ended channels, one single-ended channel with remote ground sensing, or one pseudo-differential channel where input can swing around AVDD/2. The device includes a digital window comparator (see the Digital Window Comparator section) with a dedicated output pin, which can be used to alert the host when a programmed high or low threshold is crossed. The device address is configured by the I²C address selector block (see the I²C Address Selector section). The device uses internal oscillators (high speed or low power) for conversion (see the Oscillator and Timing Control section). The start of conversion is controlled by the host in Manual mode (see the Manual Mode section) and by the device in Autonomous mode (see the Autonomous Modes section).

The device also features a data buffer (see the Data Buffer section) and an accumulator (see the Accumulator section). The data buffer can store up to 16 conversion results of the ADC in autonomous mode, and the accumulator can accumulate up to 16 conversion results of ADC in high precision mode (see the High Precision Mode section).

The device includes OFFSET calibration (see the OFFSET Calibration section) for calibration of its own offset.

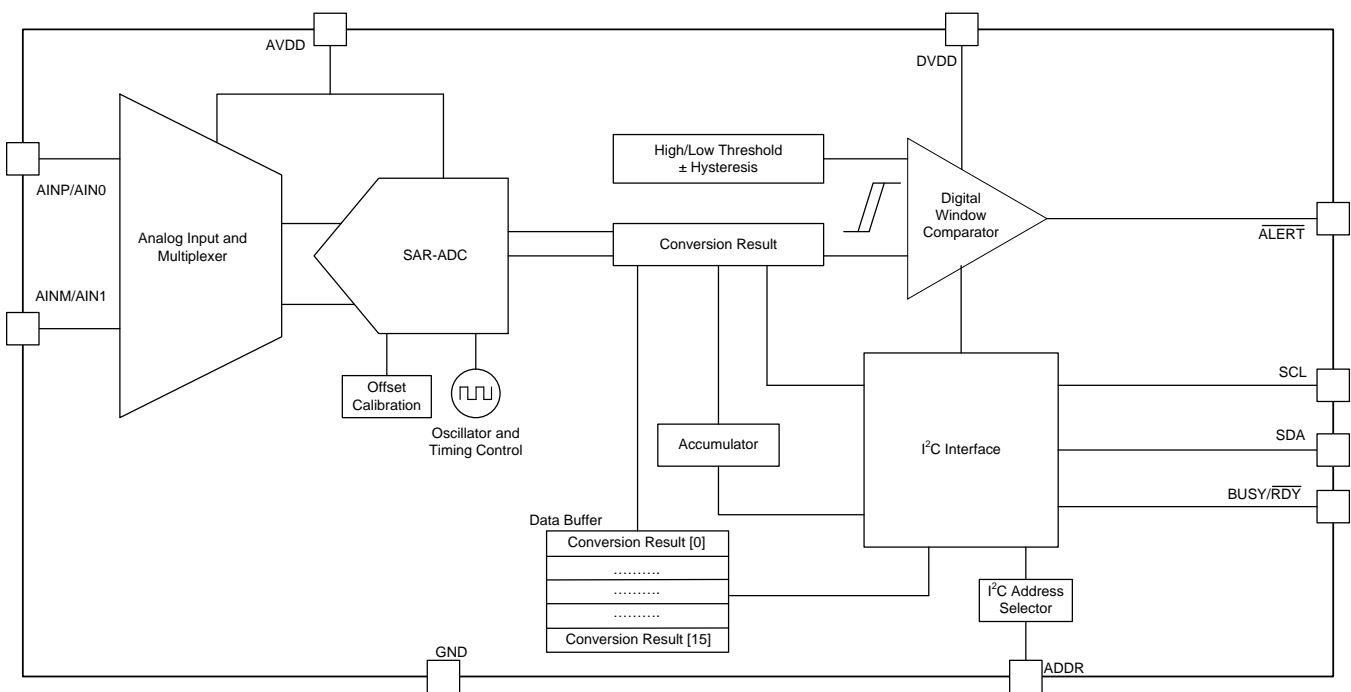


图 4. ADS4172 Functional Block Diagram

2.2.3 TPS7B69xx-Q1

The TPS7B69xx-Q1 is a high-voltage, linear regulator that operates over a 4-V to 40-V input voltage range. The device has an output current capability of 150 mA and offers fixed output voltages of 2.5 V (TPS7B6925-Q1), 3.3 V (TPS7B6933-Q1), or 5 V (TPS7B6950-Q1). The device features TSD and short-circuit protection to prevent damage during overtemperature and overcurrent conditions.

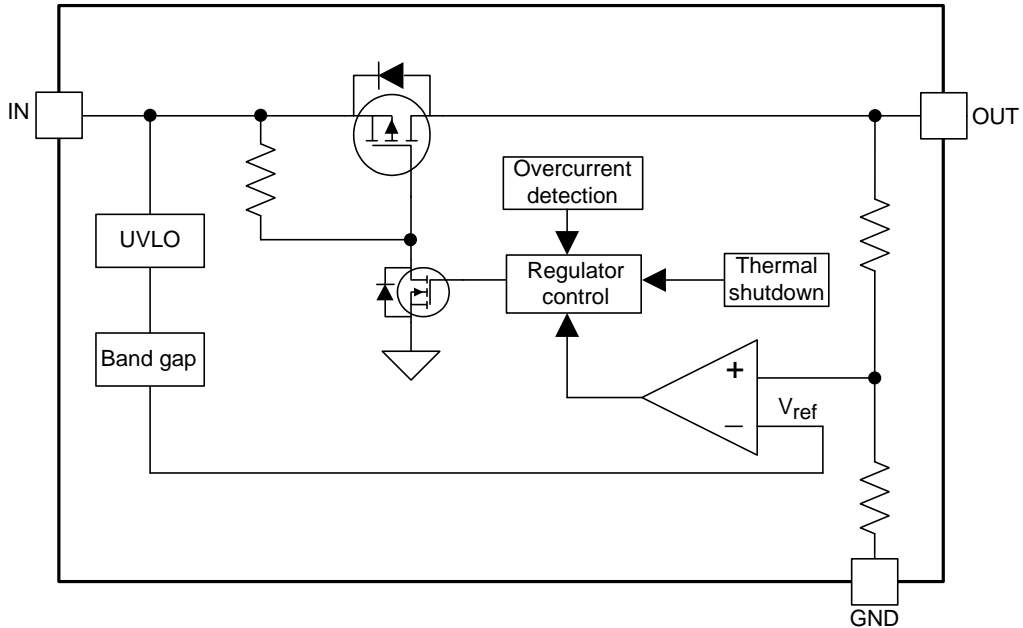


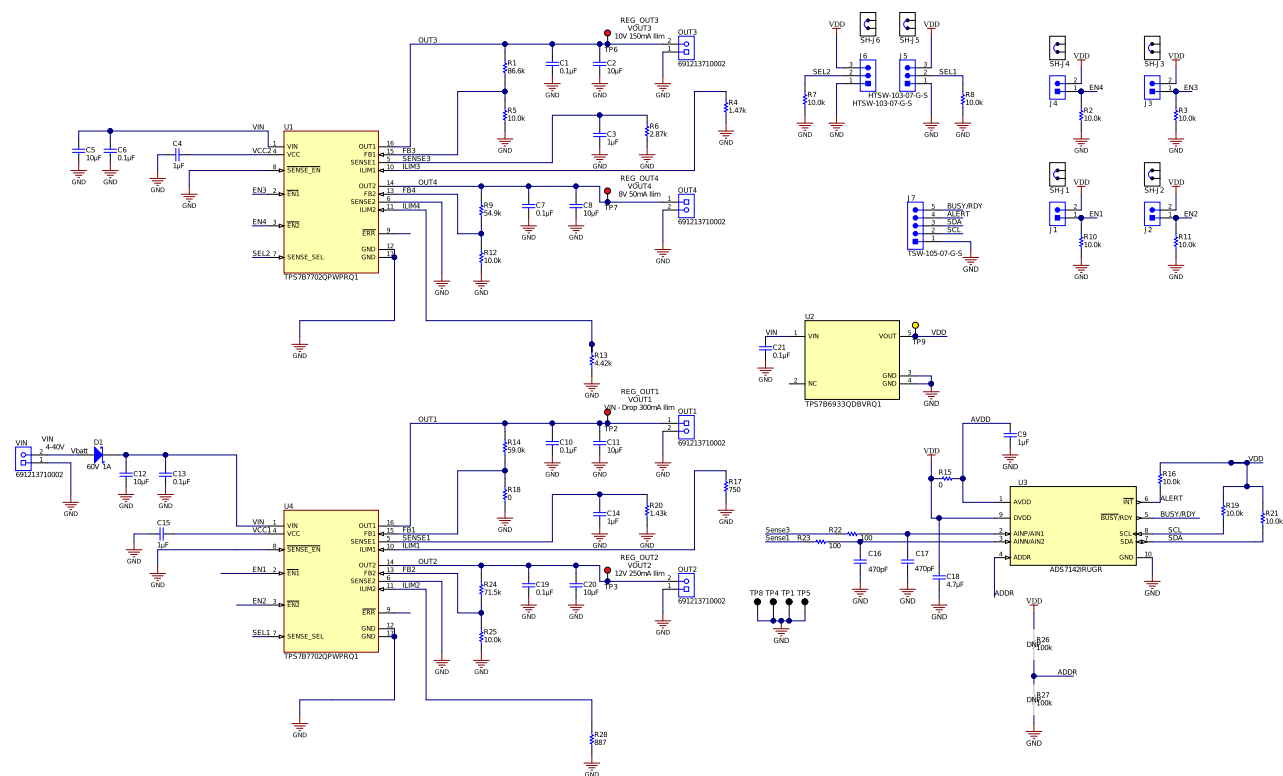
图 5. TPS7B69xx-Q1 Functional Block Diagram

2.3 System Design Theory

The TIDA-01569 reference design combines two, dual-channel, antenna LDOs with a two-channel ADC, to provide a four-channel system with current sensing and diagnostics over an I²C. The two, antenna LDOs (TPS7B7702) have analog output voltages that indicate output current and fault conditions. A common problem that customers run into is limited ADC resources within the microcontrollers (MCUs) in their system. A solution to mitigate this limitation is to digitally interface these diagnostics between the MCU and LDO using I²C communication.

The ADS7142, nano-power, dual-channel, sensor monitor is used to make this analog diagnostic output readable on the I²C bus or provide a stand-alone fault flag using the internal window comparators.

图 6 shows the schematic of the TIDA-01569 reference design, which features a four-channel antenna LDO with digital diagnostics and integrated protection.



Copyright © 2017, Texas Instruments Incorporated

图 6. TIDA-01569 Schematic

2.3.1 LDO Channels and Configuration

This reference design has four output channels to reflect common use cases in automotive head unit applications. The use of multiple antennas, cameras, microphones, or combinations of such are common and require a two- or four-channel remote power solution.

Although this reference design has four channels, the system is still relevant for two-channel needs and is easily configurable as such by simply removing one of the dual-channel LDOs.

This reference design demonstrates that, while it is a discrete solution, a two- or four-channel antenna LDO solution is attainable using the TPS7B7702 and ADS7142 devices.

2.3.2 Output Voltages

The output voltage for each channel is set using a feedback network connected to the feedback pin and V_{OUT} . Using an external resistor divider selects an output voltage between 1.5 V and 20 V. Use [公式 1](#) to calculate the output voltage (V_{OUT}). The recommended value for both R1 and R2 is less than 100 k Ω .

$$V_O = \frac{V_{(FB)} \times (R1 + R2)}{R2} \quad (1)$$

where,

- $V_{(FB)} = 1.233 \text{ V}$.

表 2. LDO Output Voltages

OUTPUT	CHANNEL	V_{OUT} (V)	R_{FB1} (k Ω)	R_{FB2} (k Ω)
U4 OUT1	1	Switch ($V_{IN} - V_{DROP}$)	DNP	Short
U4 OUT2	2	10	71.5	10
U1 OUT1	3	12	86.6	10
U1 OUT2	4	8	54.9	10

2.3.3 Solution Size

图 7 显示透明渲染的板子以测量两个天线 LDOs, ADC, 和配件组件的总解决方案大小。总大小被计算为大约 390 mm², 使用顶部和底部板子。

设计师可能通过移除一些提供易用性、板子修改和测试的非关键组件来减少解决方案大小到大约 350 mm²; 一些例子包括跳线, 不安装 (DNP), 等等。

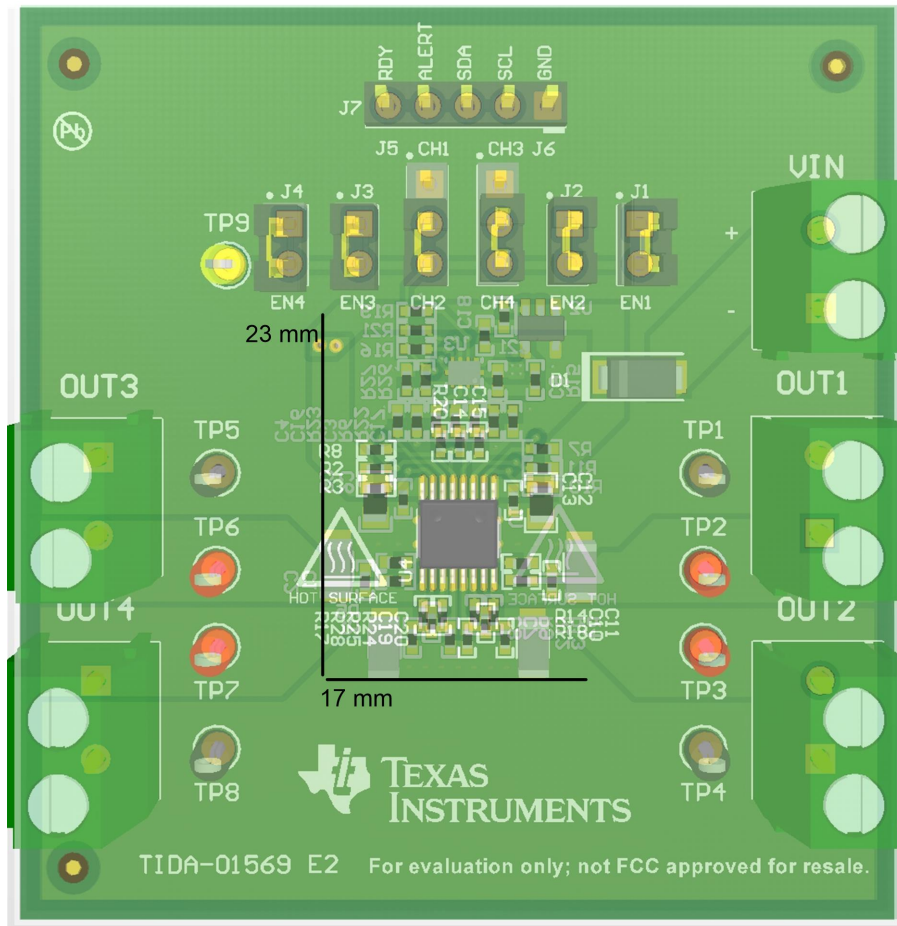


图 7. TIDA-01569 System Solution Size

2.3.4 Analog Current Sense and Diagnostics Output

The TPS7B7702 device has an analog current sense output for current sensing and fault detection. 图 8 shows the voltage thresholds for various faults and the linear current sense band. This reference design reads current sense output voltage directly into an ADC, which enables the diagnostic information to be analyzed and reacted upon using the I²C.

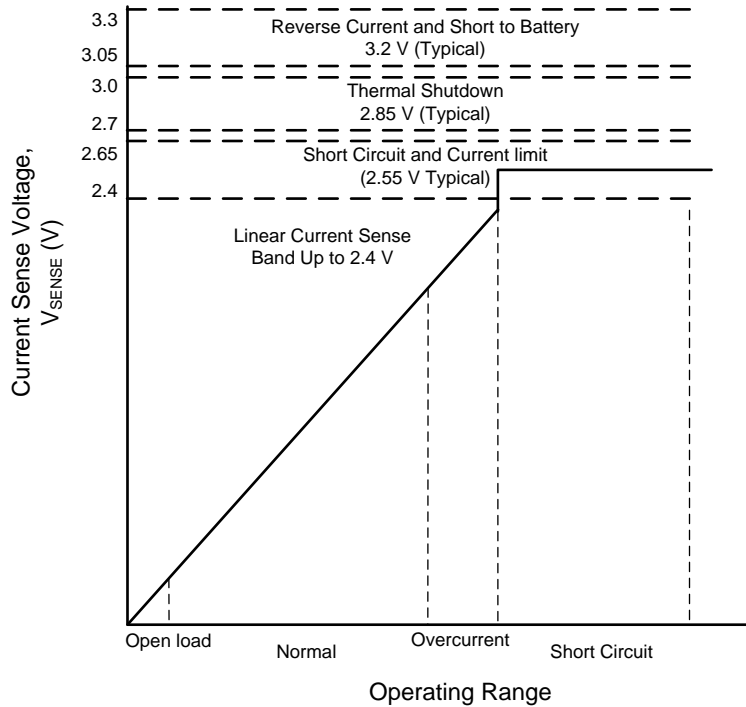


图 8. Analog Current Sense Output

2.3.4.1 Fault Detection and Behavior

表 3 lists the different failure modes and corresponding V_(SENSE) thresholds. During some of the faults, the LDO switch output will disable. For more information on the behavior during fault conditions, see the Fault Detection and Protection section of [TPS7B770x-Q1 Single- and Dual-Channel Antenna LDO With Current Sense](#).

表 3. Fault Table

FAILURE MODE	V _(SENSE)	ERR	LDO SWITCH OUTPUT	LATCHED
Open load	$I_O \times R_{(SENSE)}$ 198	High	Enabled	No
Normal				
Overcurrent				
Short-circuit or current limit	2.4 V to 2.65 V	Low	Enabled	No
Thermal shutdown	2.7 V to 3 V	Low	Disabled	No
Output short-to-battery	3.05 V to 3.3 V	Low	Disabled	Yes
Reverse current	3.05 V to 3.3 V	Low	Disabled	Yes

2.3.4.2 Current Sense Resistor

In the linear current-sense band up to 2.4 V, the current-sense outputs (U4 SENSE1, U4 SENSE2, U1 SENSE1, and U1 SENSE2) are proportional to the output current at the output pins by a factor of 1/198. An output resistor, $R_{(SENSE)}$, must be connected between the SENSE_x pin and ground to generate a current sense voltage to be sampled by the ADC. 公式 2 can be used to calculate the voltage at the SENSE_x pins ($V_{(SENSEx)}$):

$$R_{(SENSEx)} \leq \frac{198 \times 2.4 \text{ V}}{I_{Omax}} \quad (2)$$

where,

- 198 is the output current to current-sense ratio,
- 2.4 V is the minimum possible voltage at the SENSE_x pin under a short-circuit fault case,
- I_{Omax} is the maximum possible output current under normal operation.

$$I_{(SENSEx)} = \frac{198 \text{ mA}}{198} = 1 \text{ mA} \rightarrow V_{(SENSEx)} = 1 \text{ mA} \times 1.5 \text{ k}\Omega = 1.5 \text{ V} \quad (3)$$

To avoid any overlap between the normal operation and current-limit or short-to-ground phase, use 公式 2 per TI recommendation to select the value of the SENSE resistor.

Because the SENSE1 pin receives multiplexing for both output channels on each TPS7B7702 device, both outputs will have the same $R_{(SENSE)}$ value.

表 4. Current Sense Resistors

OUTPUT	CHANNEL	MAXIMUM CURRENT (I_{LIM})	I_{Omax} SENSE	$R_{(SENSE)}$
U4 OUT1	1	300 mA	300 mA	1.43 k Ω
U4 OUT2	2	250 mA		
U1 OUT1	3	150 mA	150 mA	2.87 k Ω
U1 OUT2	4	50 mA		

A 1- μ F ceramic capacitor at the SENSE_x pins is required to stabilize the current-sense loop.

2.3.5 Output Current Limit

The current at the LIM_x pins (U4 LIM1, U4 LIM2, U1 LIM1, and U1 LIM2) is proportional to the load current at the OUT_x pins (U4 OUT1, U4 OUT2, U1 OUT1, and U1 OUT2), and is internally connected to a current-limit comparator referenced to 1.233 V. The current limit is programmable through the external resistor connected at the LIM_x pin. Use 公式 4 to calculate the value of the external resistor, $R_{(LIMx)}$.

$$R_{(LIMx)} = \frac{1.233\text{V}}{I_{(LIMx)}} \times 198 \quad (4)$$

The programmable current limit accuracy is $\pm 8\%$ across all conditions, so 8% was added to the desired current limit.

表 5. Current Limit

OUTPUT	CHANNEL	CURRENT LIMIT	$R_{(LIMx)}$	ACTUAL LIMIT
U4 OUT1	1	300 mA	750 k Ω	326 mA
U4 OUT2	2	250 mA	887 k Ω	275 mA
U1 OUT1	3	150 mA	1.47 k Ω	166 mA
U1 OUT2	4	50 mA	4.42 k Ω	55 mA

2.3.6 Sense Selection and Multiplexing

This reference design takes advantage of the current-sense multiplexing capability of the TPS7B7702 to decrease the number of ADCs required to read the four SENSEx voltages. The SEN_SEL pin multiplexes the two SENSEx voltages of one TPS7B7702 device out of the SENSE1 pin, which allows the connection of both current sense outputs to a single ADC input. Furthermore, the SENSE_EN pin can be pulled high to make both sense pins high impedance, which opens up the possibility to tie multiple TPS7B7702 devices to one ADC input. 表 6 lists the possible SENSEx configurations.

表 6. Sense Pin Configuration

SENSE_EN	SEN_SEL	SENSE1 STATUS	SENSE2 STATUS
Low	Low	CH1 current	CH2 current
Low	High	CH2 current	High impedance
High	—	High impedance	High impedance

For this reference design, the SENSE_EN pin on both TPS7B7702 devices is tied to ground, and the SENSE1 pins are connected to the two inputs of the ADC. 节 3.1.2 discusses the resulting SENSEx jumper settings to sense all four channels.

2.3.7 Current Sense Accuracy

The TPS7B7702 device uses an internal current mirror to measure the output currents. 表 7 lists the current sense accuracy characterized across temperature. 节 3.2.2.1 provides tests results for the accuracy measured during a bench test of the system.

表 7. Current Sense Accuracy

OUTPUT CURRENT	CURRENT SENSE ACCURACY
5 mA to 10 mA	20%
10 mA to 50 mA	10%
50 mA to 100 mA	5%
100 mA to 300 mA	3%

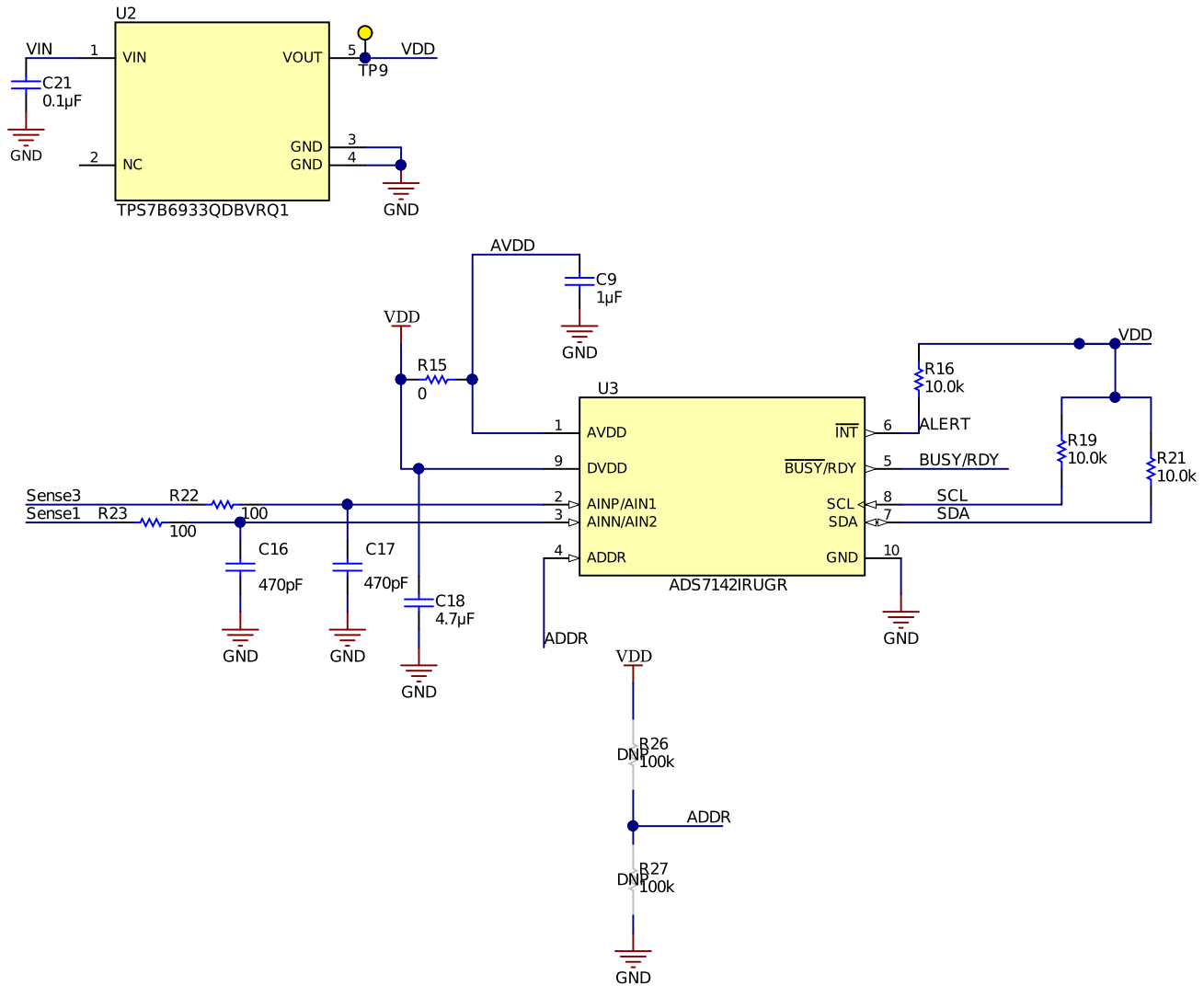
2.3.8 Integrated Reverse Current Protection

A significant advantage of the TPS7B7702 antenna LDO over its competitors is the internal back-to-back MOSFET structure and free-wheeling diodes. During an STB fault condition, the input of the LDO is effectively grounded, thus V_{IN} is less than V_{OUT} , resulting in a reverse current flow that can damage the device. Other devices require an external diode which is placed at each output. These diodes add cost, size, and additional dropout per output. In systems with multiple output channels, these additional drawbacks become quite substantial to the overall system.

2.3.9 ADC: VDD and AVDD

The ADS7142 device has two separate power supplies: AVDD and DVDD (see 图 9). The device operates on AVDD; DVDD is used for the interface circuits. AVDD and DVDD can be independently set to any value within the permissible ranges. The AVDD supply also defines the full-scale input range of the device.

AVDD and DVDD were both set to 3.3 V from an OFF-battery LDO. The TPS7B69-Q1 OFF-battery LDO was used to provide 3.3 V to the system. Interface pullup resistors, enable, and sense select jumpers are also connected to VDD. The LDO will supply approximately 3 mA of current.



Copyright © 2017, Texas Instruments Incorporated

图 9. VDD and ADC Schematic

2.3.10 ADC Conversion Modes and Alert

2.3.10.1 I²C Command Mode

I²C command mode allows the external host processor to directly request and control when the data is sampled. The data capture is initiated by an I²C command from the host processor and the data is then returned over the I²C bus at a throughput rate of up to 140 kSPS.

2.3.10.2 Autonomous Mode With Threshold Monitoring and Diagnostics

The threshold monitoring mode automatically scans the input voltage on the input channel(s) and generates a signal when the programmable high or low threshold values are crossed. The user can program open circuit and overcurrent thresholds into the device and set it to continuously monitor, and action will only occur when the current deviates outside of those boundaries.

Autonomous mode can decrease the overhead of the MCU software, because it is not required to continuously read and analyze data. A simple interrupt can be used with a subsequent action to read the data following a fault condition.

2.3.10.3 Digital Window Comparator and Alert Pin

The internal digital window comparator is available in all modes. In autonomous mode with threshold monitoring and diagnostics, the digital window comparator controls the filling of the data and the output of the alert pin buffer. In I²C command mode, the digital window comparator only controls the output of the alert pin.

The low-side threshold, high-side threshold, and hysteresis parameters are independently programmable for each input channel. 图 10 shows the comparison thresholds and hysteresis for the two comparators. A pre-alert event counter after each comparator counts the output of the comparator and sets the latched flags. The pre-alert event counter settings are common to the two channels.

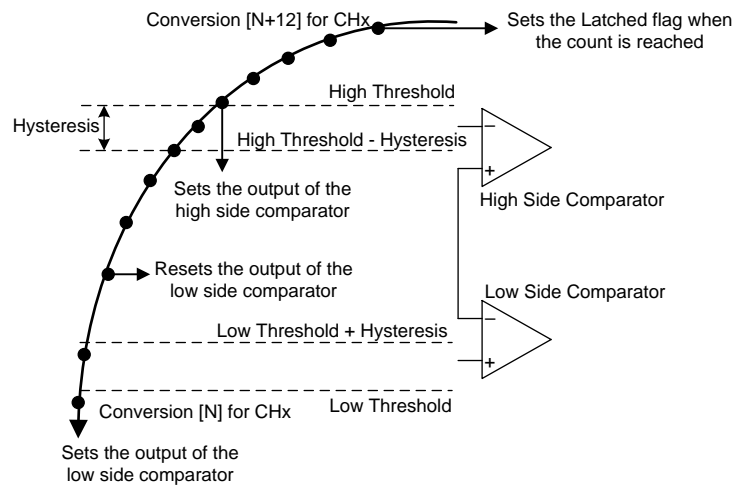
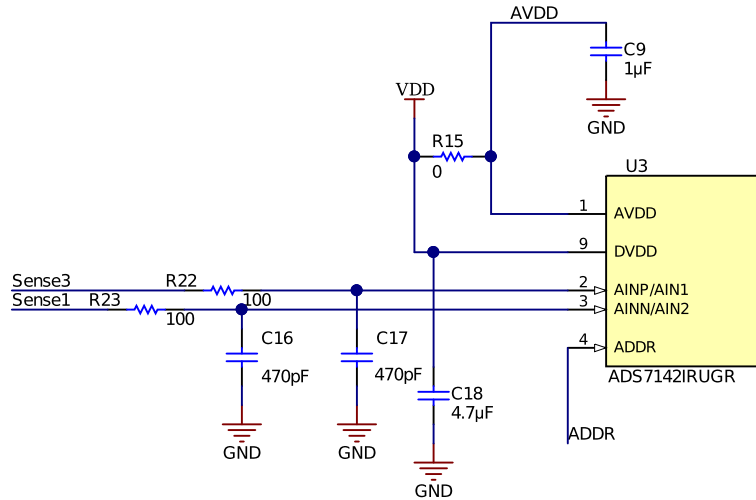


图 10. Thresholds and Hysteresis for Digital Window Comparator

2.3.11 ADC Input Filters

A charge kickback filter has been placed at the inputs of the two ADC inputs. This component not only filters noise from the current-sense path, but it also attenuates the sampling charge injection from the switched-capacitor input stage of the ADC. The capacitors help reduce the sampling charge injection and provides a charge bucket to quickly charge the internal sample-and-hold capacitors during the acquisition process.



Copyright © 2017, Texas Instruments Incorporated

图 11. Schematic for Charge Kickback Filter

2.3.12 LSB and Resolution

The current sense resistor and AVDD decide the least significant bit (LSB) of the ADC. The ADS7142 device has 12 bits of resolution in its default mode. With AVDD at 3.3 V, the ADC will have an LSB of 800 µV (see 公式 5).

Calculate the current step-size from the LSB using 公式 5:

$$1 \text{ LSB} = V_{\text{REF}} / 2^N \tag{5}$$

where,

- $V_{\text{REF}} = \text{AVDD}$,
- $N = 12$ for autonomous monitoring modes and manual mode.

表 8. Current Step Size

CHANNELS	$R_{(\text{SENSE})}$	CURRENT STEP SIZE
1 and 2	1.43 kΩ	111 µA
3 and 4	2.87 kΩ	56 µA

While the ADS7142 device has a 16-bit high resolution mode, it would have diminishing returns due to the accuracy of the current sense.

3 Hardware, Software, Testing Requirements, and Test Results

3.1 Required Hardware and Software

3.1.1 Hardware

图 12 和 图 13 显示了这个参考设计的主板图像。该设计具有两个双通道 LDOs，一个 ADC，和一个 OFF-电池 LDO。LDOs 放置在板子上背对背，所有 LDO 组件基本上反向并沿垂直轴视觉镜像。使用了四层板，并使用了厚层堆叠来适当地处理热量。

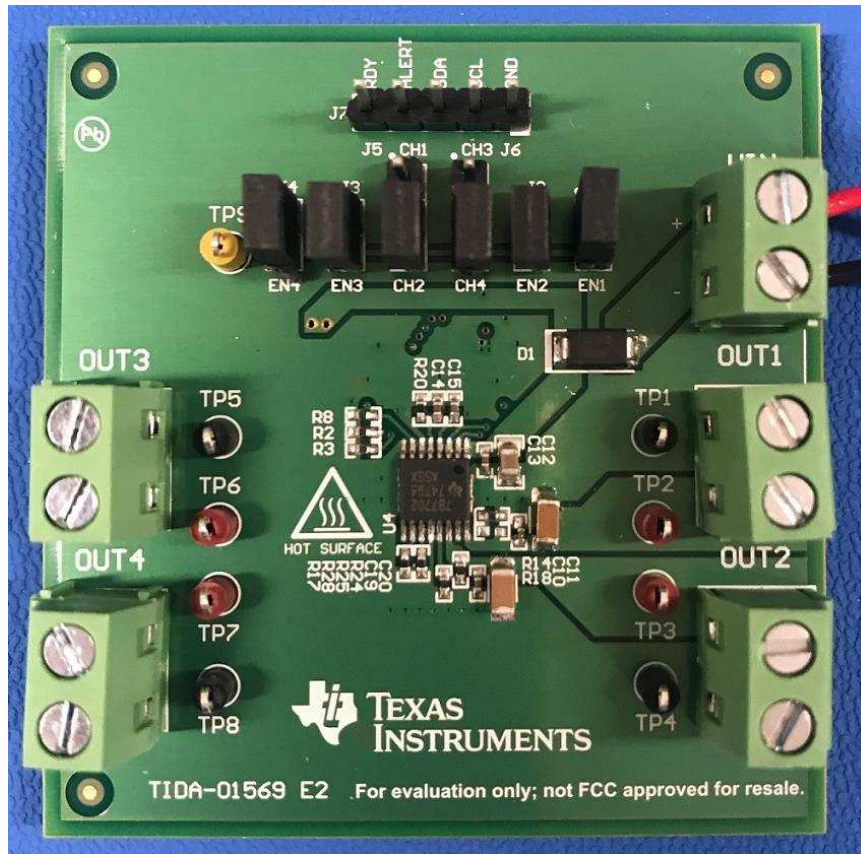


图 12. TIDA-01569 Board Top

The top of the board has LDO 1 (U4) with outputs 1 and 2 (OUT1 and OUT2, respectively). Also on top of the board are all four output terminals and test points. Lastly, the jumpers for enabling outputs and toggling the digital pins and channels sensed are located on top of the board.

The bottom of the board has LDO 2 (U4) with outputs 3 and 4 (OUT1 and OUT2, respectively). The back of the board also has the ADC and 3.3-V LDO.

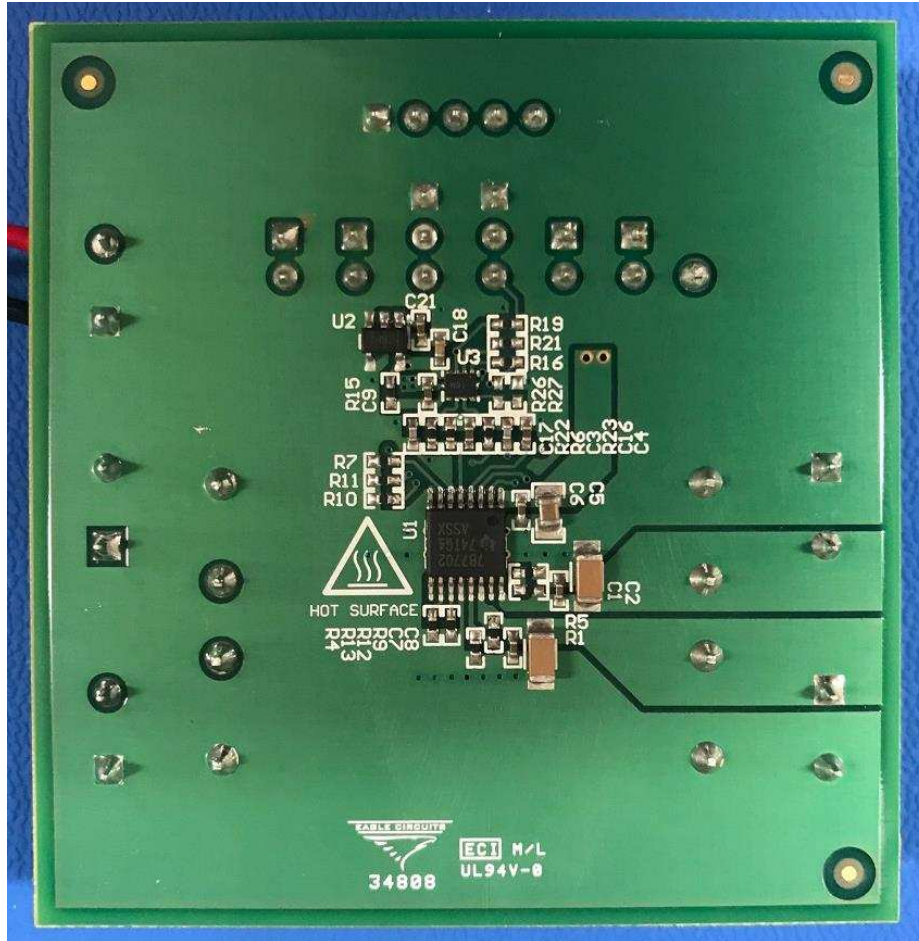


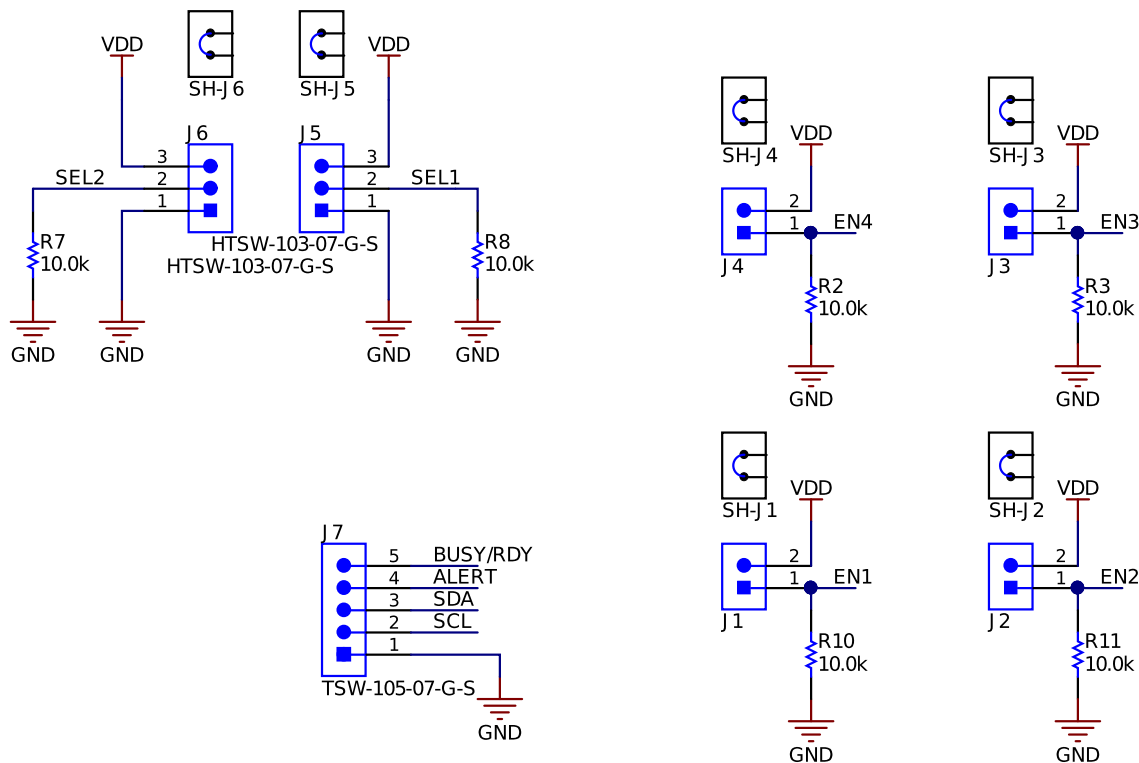
图 13. TIDA-01569 Board Bottom

3.1.2 Jumper Settings

This reference design has jumpers to allow for easy configuration of output channels and multiplexing of the current sense pins. Alternatively, these jumpers can be connected to a LaunchPad™ Development Kit or MCU to programmatically control the LDO outputs, toggle current sense channels, and read output currents and diagnostics. 图 14 shows the jumpers, nets, and pullup and pulldown resistors. 表 9 describes the functionality and placement of each jumper.

Jumpers J1 to J4 are attached to the output enable pins of the two TPS7B7702 devices to enable and disable each output. Pulldown resistors connected to each enable pin disable the output of the channel when the jumper is disconnected. When the jumper is placed, the enable pin is pulled up to the 3.3-V V_{DD} provided by the TPS7B69-Q1 LDO.

Jumpers J5 and J6 are connected to the SENSE_SEL pins on each TPS7B7702 device. The SENSE_SEL pins have a pulldown resistor, so when no jumper is connected, channels 1 and 3 are sensed by default.



Copyright © 2017, Texas Instruments Incorporated

图 14. Jumpers Schematic

表 9 lists the jumper settings.

表 9. Jumper Settings

JUMPER	FUNCTION	JUMPER POSITION	STATE AND CHANNEL
J1	Ch 1 enable	Placed	Enabled
		Removed	Disabled
J2	Ch 2 enable	Placed	Enabled
		Removed	Disabled
J3	Ch 3 enable	Placed	Enabled
		Removed	Disabled
J4	Ch 4 enable	Placed	Enabled
		Removed	Disabled
J5	Sense 1 select	Top (GND)	Channel 1
		Bottom (VDD)	Channel 2
J6	Sense 2 select	Top (GND)	Channel 3
		Bottom (VDD)	Channel 4
J7	Digital connectors	—	—

3.1.3 Software

The ADS7142 device uses the standard I²C bus protocol, which means that any MCU with the capability and peripherals for I²C can read it.

3.1.3.1 Device Configuration

Simple I²C reads and writes are used to communicate with the ADC. 图 15 shows the configuration sequence to choose the operating mode of the ADC.

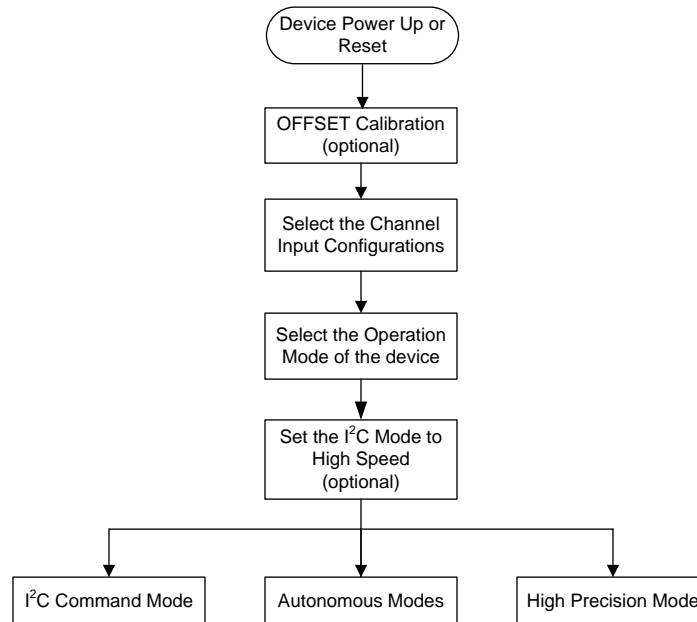


图 15. Configuring Device Into Different Modes

图 16 shows the I²C command mode read sequence.

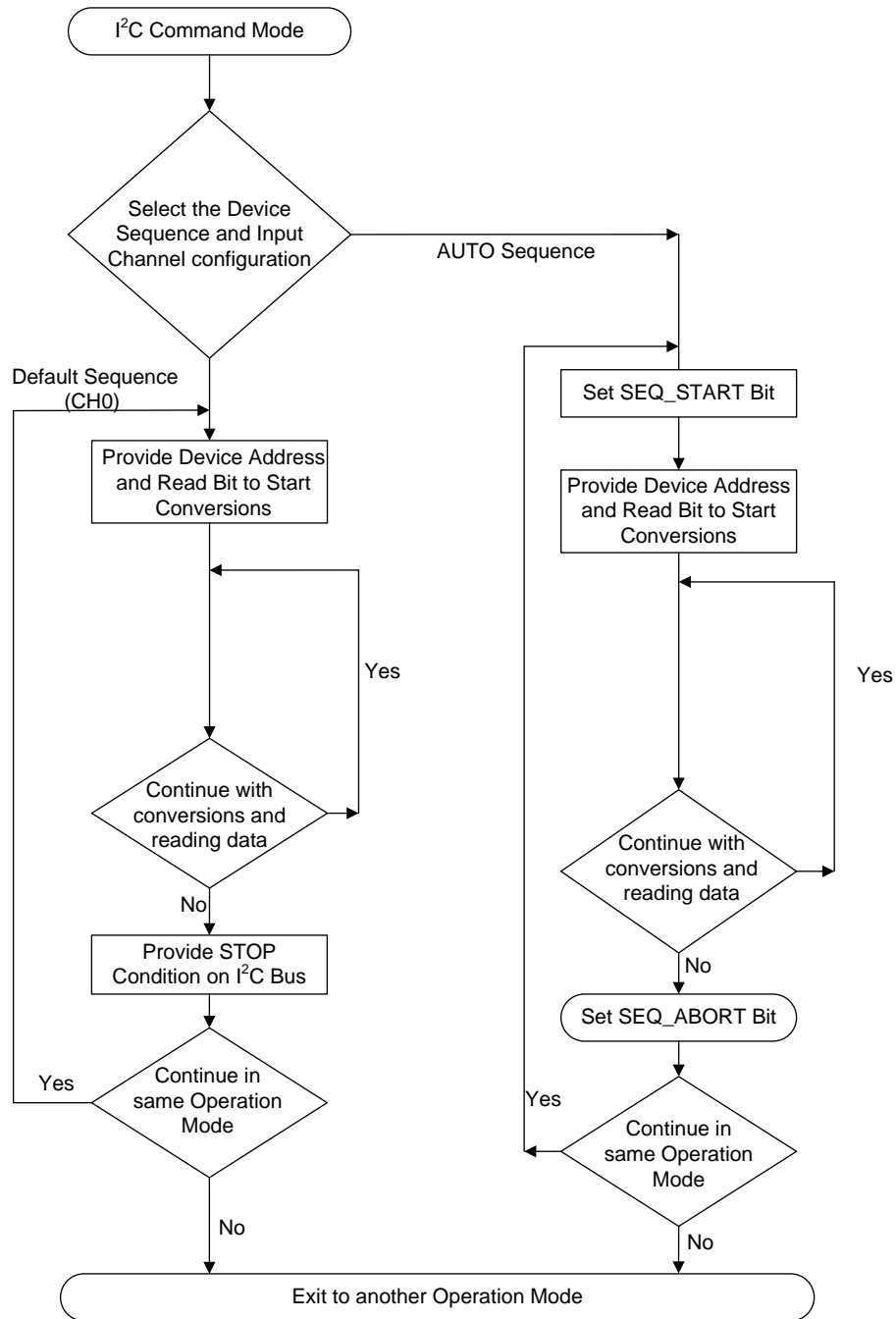


图 16. Device Operation in I²C Command mode

图 17 shows the autonomous mode of the ADC.

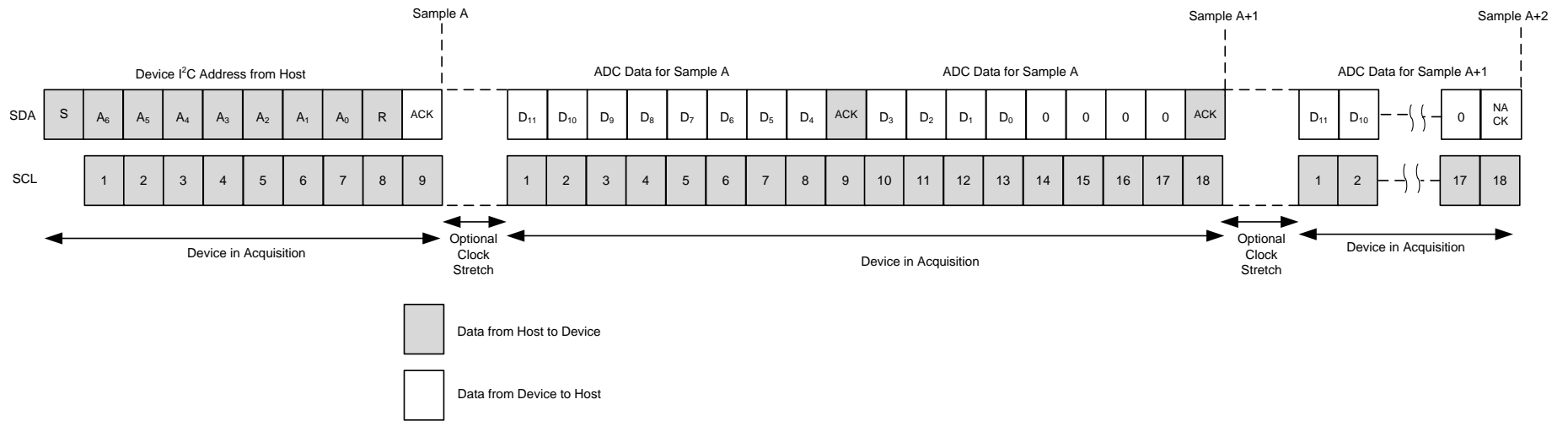


图 17. Starting Conversion and Reading Data in I²C Command Mode

3.2 Testing and Results

3.2.1 Test Setup



WARNING

Hot Surface. Contact may cause burns. Avoid touching to minimize risk of burns.

3.2.1.1 Current Accuracy Equipment

The 2400 Source Measure Unit (SMU) Instrument from Keithley was used to measure the current sense accuracy for this reference design. The source meter has source and sink (four-quadrant) operation with an accuracy of $\pm 0.055\% + 6 \mu\text{A}$.

3.2.2 Test Results

The following subsections outline the tests conducted on this reference design.

3.2.2.1 Current Accuracy

表 10 lists the current sense accuracy of the system tested with a Keithley 2400 source meter.

表 10. Current Sense Accuracy

CURRENT (mA)	DIGITAL CURRENT SENSE READING			
	CH.1	CH.2	CH.3	CH.4
1	89.64%	0.40%	22.18%	0.05%
5	18.25%	0.40%	4.40%	1.06%
8	11.55%	0.40%	2.73%	0.65%
10	8.21%	0.40%	2.73%	1.06%
20	6.53%	0.40%	1.34%	0.51%
50	2.63%	0.18%	0.62%	0.29%
100	1.40%	0.29%	0.29%	—

3.2.2.2 Start-Up Waveforms

图 18 和 图 19 显示该参考设计四个输出的启动波形。

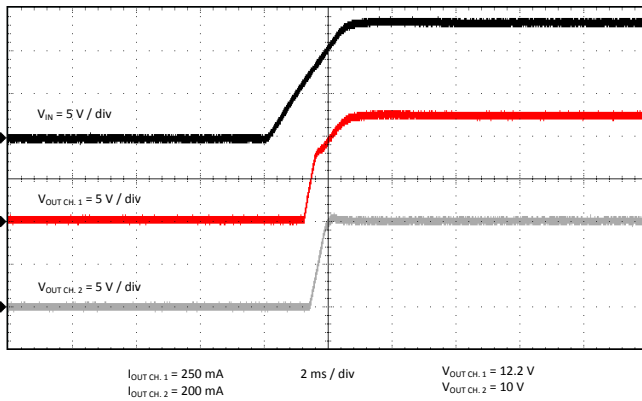


图 18. Ch.1 和 Ch.2 启动波形

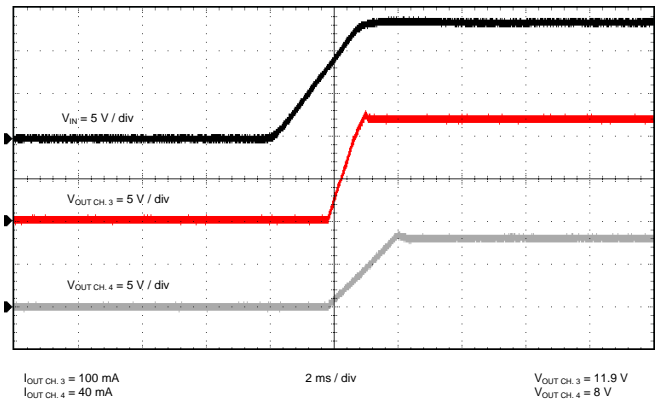


图 19. Ch.3 和 Ch.4 启动波形

3.2.2.3 Load Transient Performance

图 20 通过 图 23 显示该参考设计四个输出的负载瞬态性能。

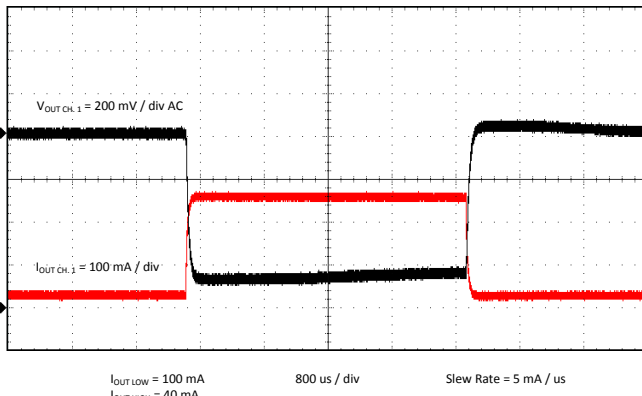


图 20. Ch.1 负载瞬态性能

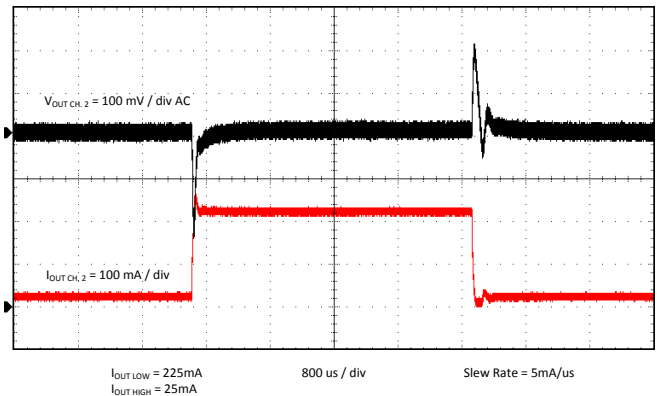


图 21. Ch.2 负载瞬态性能

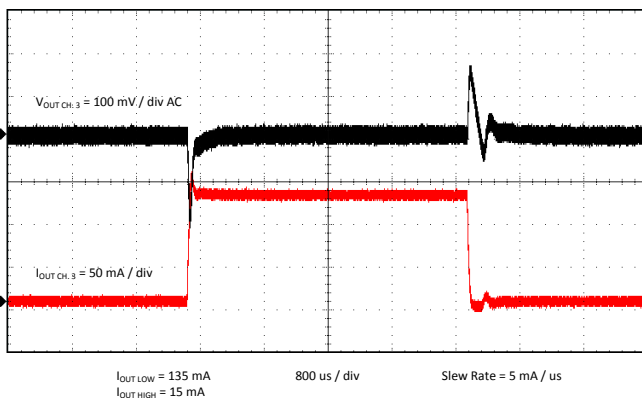


图 22. Ch.3 负载瞬态性能

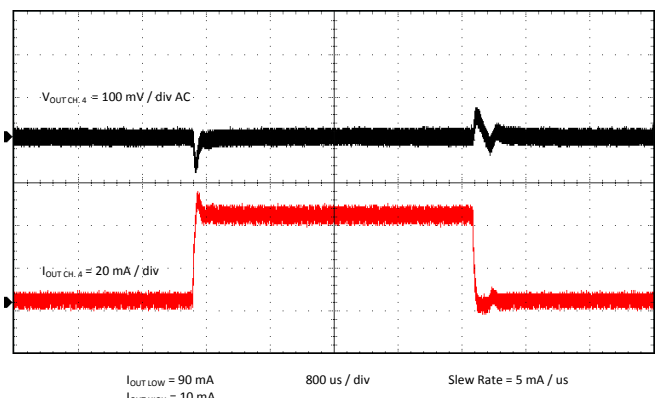


图 23. Ch.4 负载瞬态性能

4 Design Files

4.1 Schematics

To download the schematics, see the design files at [TIDA-01569](#).

4.2 Bill of Materials

To download the bill of materials (BOM), see the design files at [TIDA-01569](#).

4.3 PCB Layout Recommendations

- For the layout of the TPS7B770x-Q1 device, place the input and output capacitors close to the device. To enhance the thermal performance, TI recommends surrounding the device with some vias.
- Minimize equivalent-series inductance (ESL) and ESR to maximize performance and ensure stability. Place every capacitor as close as possible to the device and on the same side of the printed-circuit board (PCB) as the regulator.
- Do not place any of the capacitors on the opposite side of the PCB where the regulator is installed. TI strongly discourages the use of long traces because they can negatively impact system performance and cause instability.
- For the layout of the ADS7142 device, the power sources to the device must be clean and well bypassed.
- Use C_{AVDD} decoupling capacitors in close proximity to the analog (AVDD) power supply pin.
- Use a CDVDD decoupling capacitor close to the digital (DVDD) power-supply pin.
- Place the charge kickback filter components close to the device.
- Among ceramic surface-mount capacitors, COG (NPO) ceramic capacitors are recommended because these components provide the most stable electrical properties over voltage, frequency, and temperature changes.

4.3.1 Layout Prints

To download the layer plots, see the design files at [TIDA-01569](#).

4.4 Altium Project

To download the Altium project files, see the design files at [TIDA-01569](#).

4.5 Gerber Files

To download the Gerber files, see the design files at [TIDA-01569](#).

4.6 Assembly Drawings

To download the assembly drawings, see the design files at [TIDA-01569](#).

5 Related Documentation

1. Texas Instruments, [TPS7B770x-Q1 Single- and Dual-Channel Antenna LDO With Current Sense](#)
2. Texas Instruments, [ADS7142 Nanopower, Dual-Channel, Programmable Sensor Monitor](#)

5.1 商标

LaunchPad is a trademark of Texas Instruments.
All other trademarks are the property of their respective owners.

6 About the Author

LOGAN CUMMINS is a systems engineer at Texas Instruments. Logan earned his bachelor of science in electrical engineering from Valparaiso University in 2016. As a member of the Automotive Systems Engineering team at Texas Instruments, he is responsible for developing reference design solutions for the Automotive Infotainment and Cluster segment.

有关 TI 设计信息和资源的重要通知

德州仪器 (TI) 公司提供的技术、应用或其他设计建议、服务或信息，包括但不限于与评估模块有关的参考设计和材料（总称“TI 资源”），旨在帮助设计人员开发整合了 TI 产品的应用；如果您（个人，或如果是代表贵公司，则为贵公司）以任何方式下载、访问或使用了任何特定的 TI 资源，即表示贵方同意仅为该等目标，按照本通知的条款进行使用。

TI 所提供的 TI 资源，并未扩大或以其他方式修改 TI 对 TI 产品的公开适用的质保及质保免责声明；也未导致 TI 承担任何额外的义务或责任。TI 有权对其 TI 资源进行纠正、增强、改进和其他修改。

您理解并同意，在设计应用时应自行实施独立的分析、评价和判断，且应全权负责并确保应用的安全性，以及您的应用（包括应用中使用的 TI 产品）应符合所有适用的法律法规及其他相关要求。就您的应用声明，您具备制订和实施下列保障措施所需的一切必要专业知识，能够 (1) 预见故障的危险后果，(2) 监视故障及其后果，以及 (3) 降低可能导致危险的故障几率并采取适当措施。您同意，在使用或分发包含 TI 产品的任何应用前，您将彻底测试该等应用和该等应用所用 TI 产品的功能而设计。除特定 TI 资源的公开文档中明确列出的测试外，TI 未进行任何其他测试。

您只有在为开发包含该等 TI 资源所列 TI 产品的应用时，才被授权使用、复制和修改任何相关单项 TI 资源。但并未依据禁止反言原则或其他法律授予您任何 TI 知识产权的任何其他明示或默示的许可，也未授予您 TI 或第三方的任何技术或知识产权的许可，该等许可包括但不限于任何专利权、版权、屏蔽作品权或与使用 TI 产品或服务的任何整合、机器制作、流程相关的其他知识产权。涉及或参考了第三方产品或服务的信息不构成使用此类产品或服务的许可或与其相关的保证或认可。使用 TI 资源可能需要您向第三方获得对该等第三方专利或其他知识产权的许可。

TI 资源系“按原样”提供。TI 兹免除对 TI 资源及其使用作出所有其他明确或默认的保证或陈述，包括但不限于对准确性或完整性、产权保证、无复发故障保证，以及适销性、适合特定用途和不侵犯任何第三方知识产权的任何默认保证。

TI 不负责任何申索，包括但不限于因组合产品所致或与之有关的申索，也不为您辩护或赔偿，即使该等产品组合已列于 TI 资源或其他地方。对因 TI 资源或其使用引起或与之有关的任何实际的、直接的、特殊的、附带的、间接的、惩罚性的、偶发的、从属或惩戒性损害赔偿，不管 TI 是否获悉可能会产生上述损害赔偿，TI 概不负责。

您同意向 TI 及其代表全额赔偿因您不遵守本通知条款和条件而引起的任何损害、费用、损失和/或责任。

本通知适用于 TI 资源。另有其他条款适用于某些类型的材料、TI 产品和服务的使用和采购。这些条款包括但不限于适用于 TI 的半导体产品 (<http://www.ti.com/sc/docs/stdterms.htm>)、[评估模块](http://www.ti.com/sc/docs/sampterm.htm)和样品 (<http://www.ti.com/sc/docs/sampterm.htm>) 的标准条款。

邮寄地址：上海市浦东新区世纪大道 1568 号中建大厦 32 楼，邮政编码：200122
Copyright © 2018 德州仪器半导体技术（上海）有限公司