

TI Designs: TIDA-01553

支持 2.5V 冷启动配置且脱离电池运行的汽车类 VCM 参考设计



说明

本参考设计是一个拥有高电流和宽输入电压范围的电路，可以应付低至 2.5V 的发动机冷启动配置。双路输出电压为 5V 和 3.3V，每个输出最高支持 10A 电流。此设计适用于需要支持低至 2.5V 的极苛刻启动电压的脱离电池运行的车用信息娱乐应用。

资源

[TIDA-01553](#)
[LM74700-Q1](#)
[LM25122-Q1](#)
[LM5140-Q1](#)

设计文件夹
产品文件夹
产品文件夹
产品文件夹



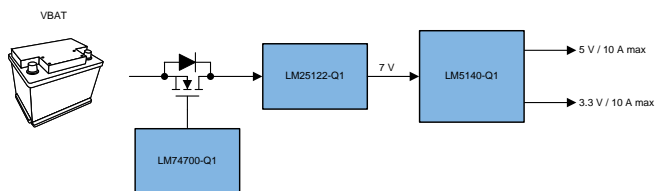
咨询我们的 E2E™ 专家

特性

- 2.5V 至 40V 宽输入电压范围
- 双路高电流同步输出
 - 5V，最高 10A
 - 3.3V，最高 10A
- 在低至 2.5V 的发动机启动瞬变期间持续运行
- 具有零 I_Q 智能二极管控制器的反向电池保护
- 最小化 AM 无线电频带干扰

应用

- 汽车音响主机
- 售后市场音响主机



Copyright © 2018, Texas Instruments Incorporated



该 TI 参考设计末尾的重要声明表述了授权使用、知识产权问题和其他重要的免责声明和信息。

1 System Description

Typical automotive infotainment end equipment are powered by the battery system of the vehicle. During an engine crank event, the supply voltage can drop to a very low level for a short period of time. This reference design implements a circuit that can handle this transient condition down to 2.5 V while keeping the two high-current outputs in regulation. This circuit is especially important for vehicles with the stop-start feature where the equipment are most likely operating and must not be interrupted by the transient condition. This reference design is a good fit for automotive head units, aftermarket head units, and voltage conditioning module (VCM) applications.

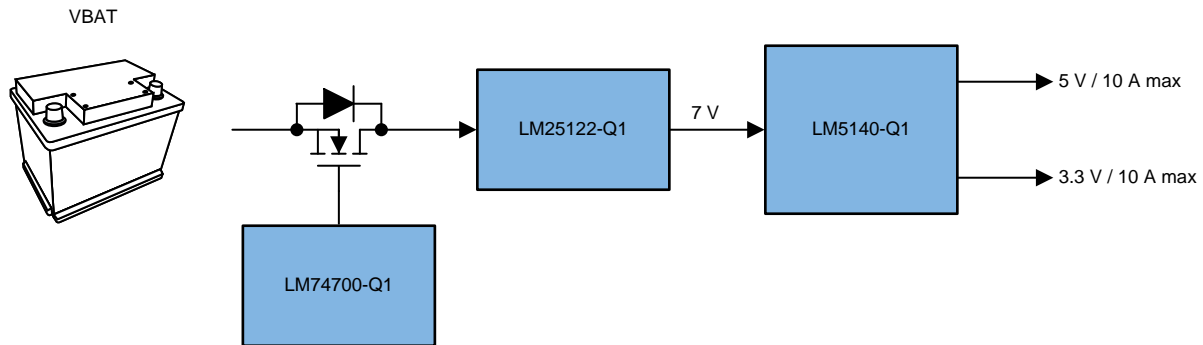
1.1 Key System Specifications

表 1. Key System Specifications

PARAMETER	SPECIFICATIONS	DETAILS
Input voltage range	2.5-V to 40-V DC	节 2.4.1
Boost output voltage	7 V	节 2.4.2
Boost supply switching frequency	480 kHz	节 2.4.2
Buck output 1 voltage	5 V \pm 1%	节 2.4.3
Buck output 1 current	Up to 10 A	节 2.4.3
Buck output 2 voltage	3.3 V \pm 1%	节 2.4.3
Buck output 2 current	Up to 10 A	节 2.4.3
Buck supply switching frequency	440 kHz	节 2.4.3

2 System Overview

2.1 Block Diagram



Copyright © 2018, Texas Instruments Incorporated

图 1. Block Diagram of TIDA-01553

2.2 Design Considerations

Applications for off-battery, infotainment end equipment have the following design considerations:

- Wide input voltage range
- Reverse battery condition
- Low loss and high efficiency
- AM radio band electromagnetic interference (EMI)

The devices in this reference design have a wide supply input range that can accommodate the transient conditions in an off-battery application. One such transient is the engine starting profile that is specified in ISO 16750-2 and other standards. This reference design can function down to as low as 2.5 V under the crank profile.

Power supply devices need protection from reverse battery conditions caused by an incorrect installation or jump-start connection. A low-loss and high efficient solution is important especially in high-current applications.

Radio band EMI (especially in the AM band) must be minimized in infotainment end equipment. To help to achieve this objective, use power supplies that have switching frequencies that are outside of the AM band as well as the capability for out-of-phase operation.

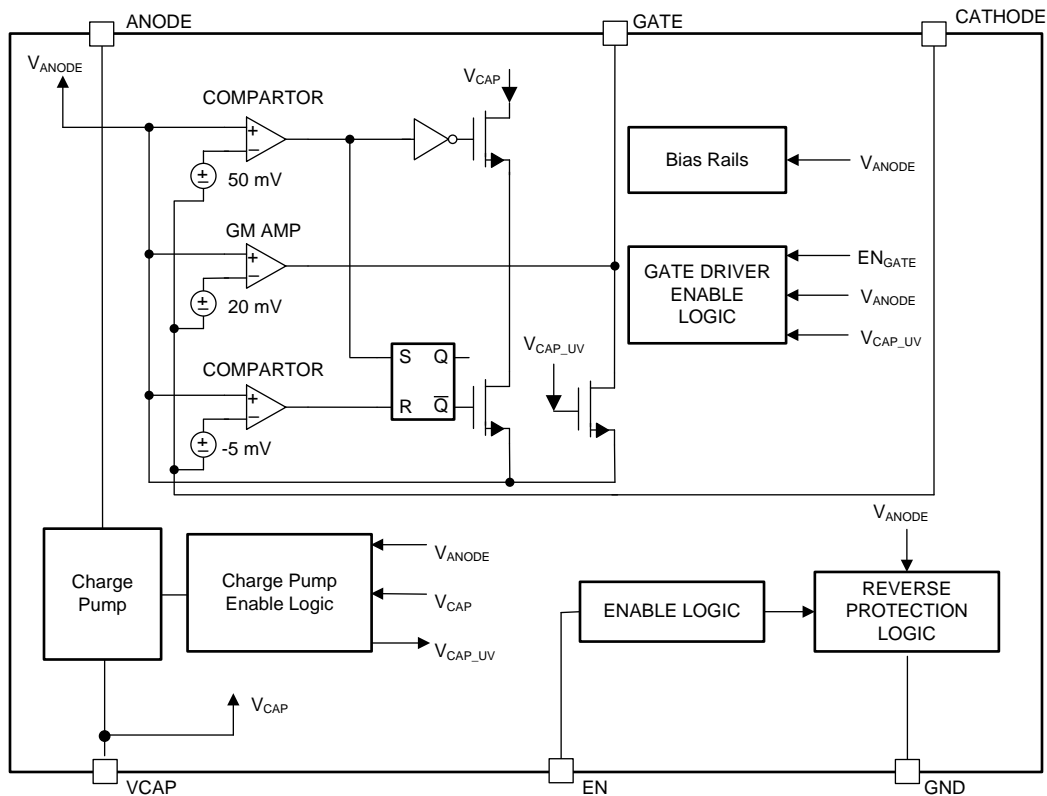
2.3 Highlighted Products

2.3.1 LM74700-Q1

The LM74700-Q1 is a smart diode controller that operates in conjunction with an external N-channel MOSFET as an ideal diode rectifier for low-loss reverse polarity protection. The wide supply input range of 3 V to 65 V allows control of many popular DC bus voltages. The device can withstand and protect the loads from negative supply voltages down to -65 V . With an external N-channel MOSFET with low $R_{DS(ON)}$, a very low forward voltage drop can be achieved while minimizing the amount of power dissipated in the MOSFET.

For low load currents, the forward voltage is regulated to 20 mV to enable graceful shutdown of the MOSFET. External MOSFETs with 5 V or lower threshold voltage are recommended. With the enable pin low, the controller is off and draws approximately $3\text{ }\mu\text{A}$ of current.

The LM74700-Q1 controller provides a charge pump gate drive for an external N-channel MOSFET. The high voltage rating of LM74700-Q1 helps to simplify the system designs for automotive ISO 7637 protection. Fast response to reverse current blocking makes the device suitable for systems with output voltage holdup requirements during ISO 7637 pulse testing as well as power fail and brownout conditions. The LM74700-Q1 is also suitable for ORing applications or AC rectification.



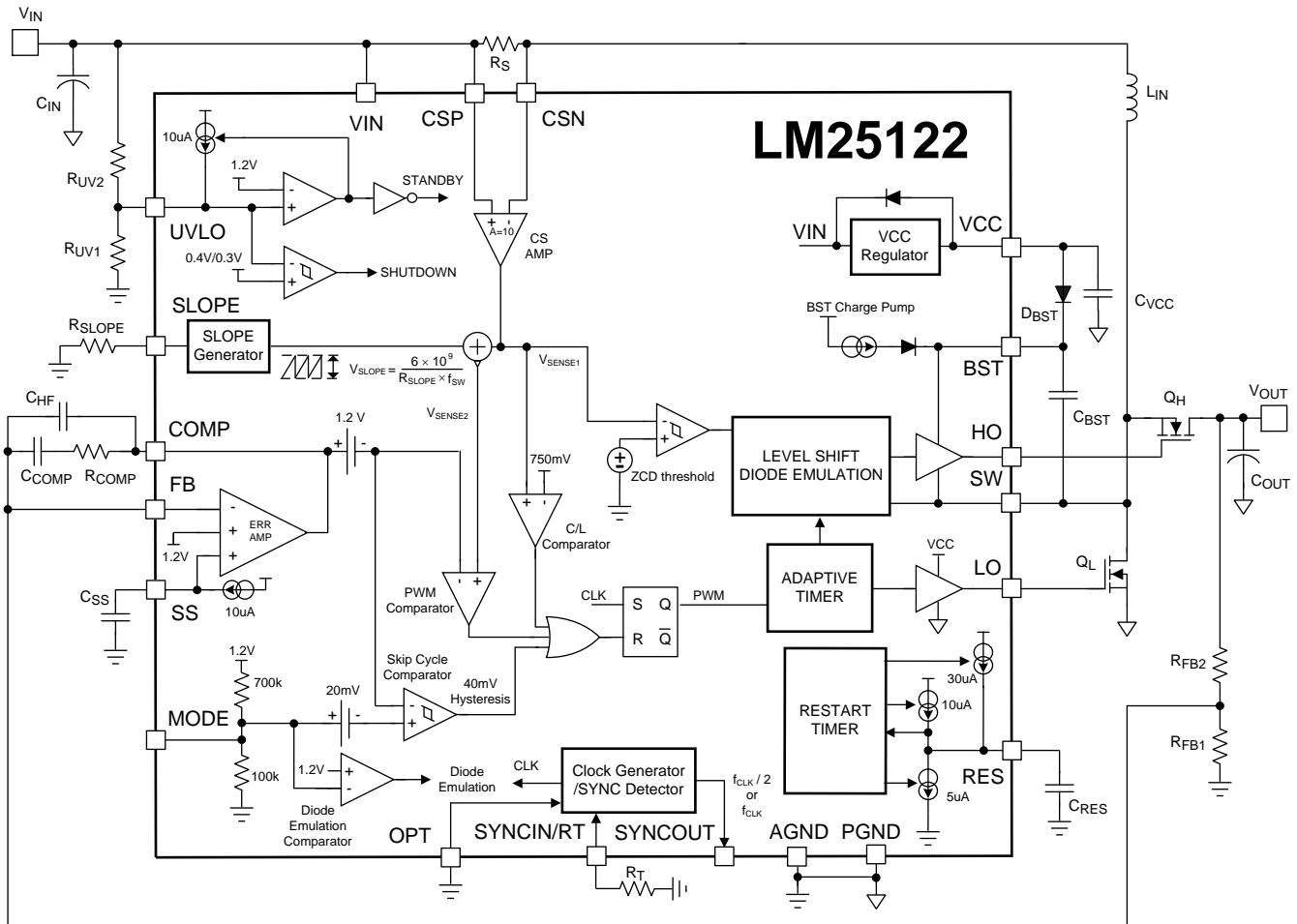
Copyright © 2017, Texas Instruments Incorporated

图 2. Functional Block Diagram of LM74700-Q1

2.3.2 LM25122-Q1

The LM25122-Q1 is a multi-phase capable synchronous boost controller intended for synchronous boost regulator applications with high efficiency. The control method is based upon peak current mode control. Current mode control provides inherent line feedforward, cycle-by-cycle current limiting, and easier loop compensation.

The switching frequency is programmable up to 600 kHz. Higher efficiency is achieved by two robust N-channel MOSFET gate drivers with adaptive dead-time control. A user-selectable diode emulation mode also enables discontinuous mode operation for improved efficiency at light load conditions.



Copyright © 2016, Texas Instruments Incorporated

图 3. Functional Block Diagram of LM25122-Q1

2.3.3 LM5140-Q1

The LM5140-Q1 is a dual synchronous buck controller intended for high-voltage, wide VIN, step-down converter applications. The control method is based on current mode control. Current mode control provides inherent line feedforward, cycle-by-cycle current limiting, and easier loop compensation.

The LM5140-Q1 features adjustable slew rate control to simplify compliance with the CISPR and automotive EMI requirements. The LM5140-Q1 operates at selectable switching frequencies of 2.2 MHz or 440 kHz with the two controller channels switching 180° out of phase. In light or no-load conditions, the LM5140-Q1 operates in skip cycle mode for improved low power efficiency. The LM5140-Q1 includes a high-voltage bias regulator with automatic switch-over to an external bias supply to improve efficiency and reduce input current.

Additional features include frequency synchronization, cycle-by-cycle current limit, hiccup mode fault protection for sustained overloads, independent power good outputs, and independent enable inputs.

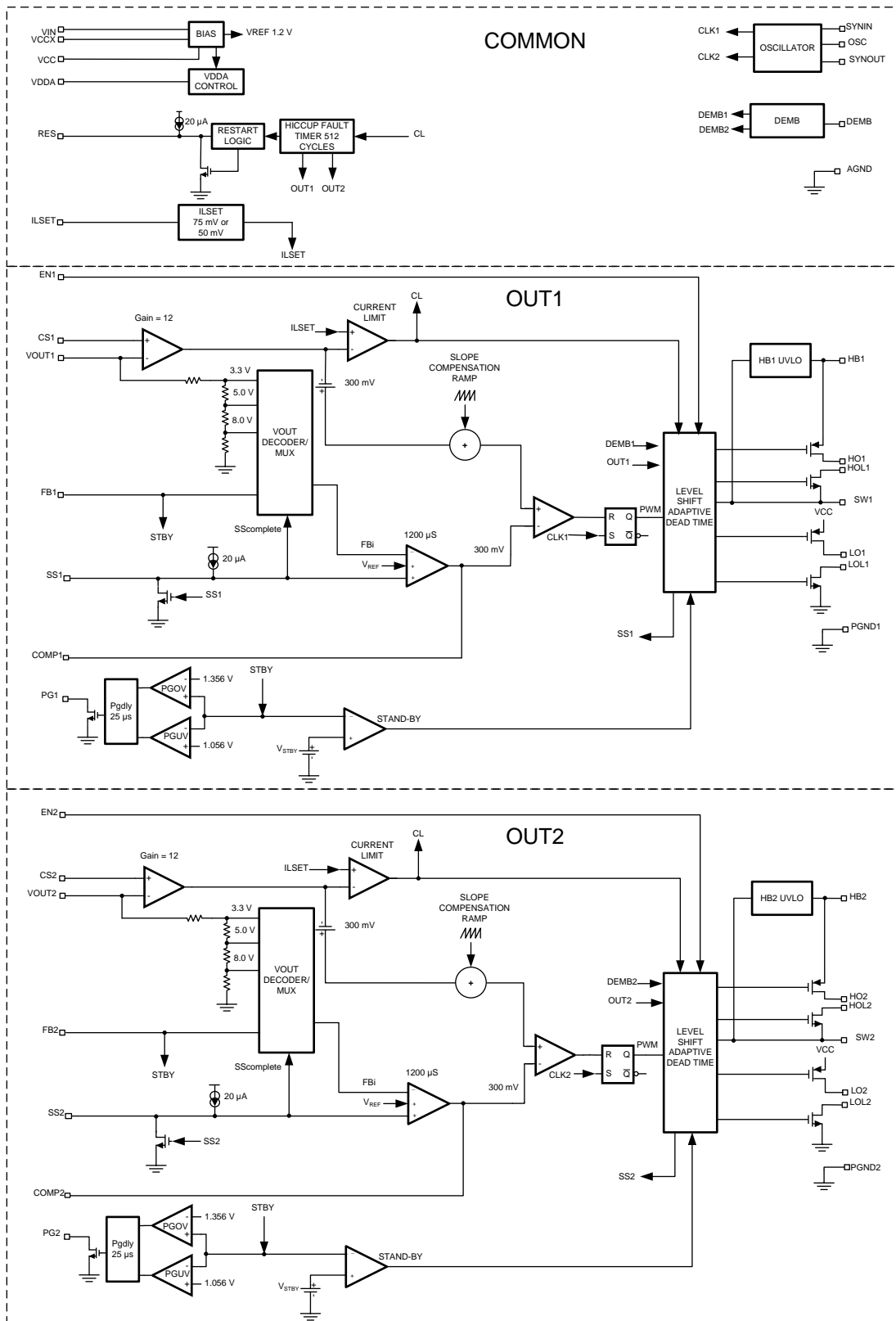


图 4. Functional Block Diagram of LM5140-Q1

2.4 System Design Theory

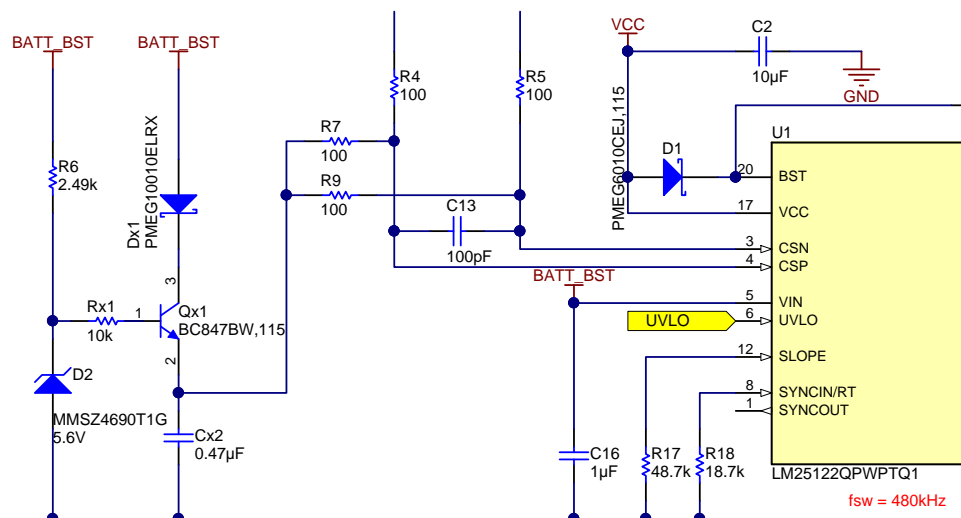
2.4.1 Input Filtering and Protection

An input filter in this design reduces conducted noise emission. To protect the power supply circuits from source transient events, a TVS diode (D5) is used to clamp the input voltage to 36 V. The LM74700-Q1 smart diode controller protects the circuit from reverse battery condition. The very low $R_{DS(ON)}$ of the N-channel MOSFET helps reduce power loss, especially during high-current operation.

The dual-footprint of U3 and U4 allows one to evaluate the LM74610-Q1 as well by removing U3, R36, and C48 and installing U4 and C55.

2.4.2 Boost Voltage Supply (LM25122-Q1)

To accommodate the low input voltage during engine start, the LM25122-Q1 provides a minimum 7-V output for the downstream buck supplies. The minimum recommended operating supply input voltage of the LM25122-Q1 is 4.5 V, but the voltage can be 3.0 V after start-up. To support a 2.5-V transient input, the circuit shown in [图 5](#) keeps the common-mode voltage of the current sense pins (CSP and CSN) above 3 V.



Copyright © 2018, Texas Instruments Incorporated

图 5. Circuit to Enable Support for 2.5-V Operation for LM25122-Q1

The network of R6, D2, Rx1, Qx1, and Cx2 forms a circuit that clamps the voltage at the node above Cx2 at 5.6 V (Zener voltage) minus the base to emitter voltage of Qx1. Approximately 5 V is present at this node above Cx2. This voltage is applied at the CSN and CSP pins by means of R7 and R9. The offset voltage at the CSN and CSP nodes increases the common-mode range by providing a fixed offset above the 3-V minimum, so the boost circuit can now operate with a 2.5-V input.

The minimum output boost voltage is set to 7 V with feedback resistors (R8, R10, and R12):

$$V_{OUT} (\text{BATT_BST}) = \left(\frac{(49.9 + 40.2 \text{ k})}{8.25 \text{ k}} \right) + 1 \times 1.2 = 7.05 \text{ V} \quad (1)$$

Resistor R8 facilitates measurement of loop transfer function of the power supply. For more information, see [AN-1889 How to Measure the Loop Transfer Function of Power Supplies](#).

When the input voltage is equal to or greater than the set output voltage (7 V), the LM25122-Q1 is in 100% duty cycle operation for the high-side synchronous switch (bypass operation), so the output voltage will be equal to the input voltage.

To avoid the AM radio band, switching frequency is set to 481 kHz with resistor R_T (R18):

$$f_{sw} = \frac{9 \times 10^9}{R_T} = \frac{9 \times 10^9}{18.7} = 481 \text{ kHz} \quad (2)$$

To stay with a more common package size of 2512 that has better availability, two 2-m Ω , 2-W current sense resistors in parallel are used to spread heat dissipation across the parts.

For more details on the boost supply design, see [LM25122-Q1 Wide-Input Synchronous Boost Controller With Multiple Phase Capability](#).

2.4.3 Buck Voltage Supply (LM5140-Q1)

The LM5140-Q1 generates 5-V and 3.3-V output rails from the boost voltage output of the LM25122-Q1. Pin 3 (FB2) is connected to VDDA for the 5-V output, and pin 28 (FB1) is connected to VDDA for the 3.3-V output. The two outputs switch 180° out of phase to each other to help reduce EMI.

To avoid the AM radio band, switching frequency is set to 440 kHz by grounding pin 37 (OSC) through a 0- Ω resistor (R53).

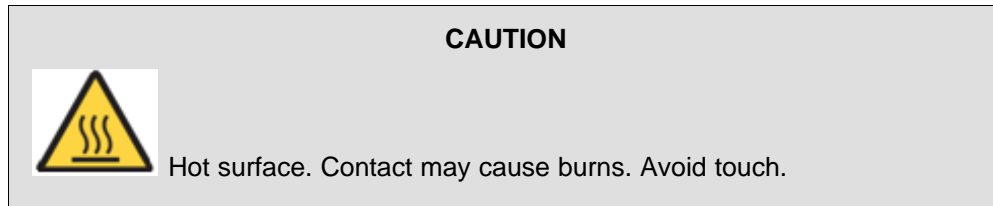
3 Hardware, Software, Testing Requirements, and Test Results

3.1 Required Hardware

- Agilent 1000-W power supply or other comparable power supply
- [AutoCrankSim-EVM \(PMP7233\)](#): Simulator for automotive cranking pulses evaluation module board

3.2 Testing and Results

3.2.1 Test Setup



3.2.1.1 Engine Crank Profile Test

The AutoCrankSim-EVM simulator verifies the functionality of the reference design during an engine cold crank condition. The simulator is pre-programmed with three different test pulses:

1. DaimlerChrysler Engine-Cranking Test Pulse, DC-10615
2. Volkswagen Warm-Start Test Pulse, VW 80000
3. Volkswagen Cold-Start Test Pulse, VW 80000

This reference design uses the third program, Volkswagen Cold-Start Test Pulse, VW 80000, as the test profile (see [图 6](#)).

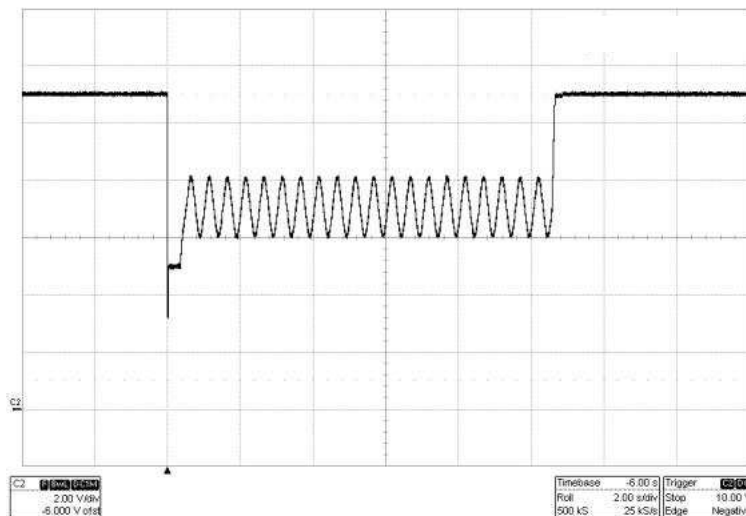


图 6. Program 3, 2 s/div—Volkswagen Cold-Start Test Pulse, VW 80000

To test the reference design, modify the simulator in the following ways:

1. Increase the output power limit.
2. Adjust the minimum voltage drop to 2.5 V.

The AutoCrankSim-EVM simulator is set to provide up to 50 W of output power. To test this reference design with a higher power requirement, change the current limit resistor (R34) of the simulator to 80 kΩ.

To lower the minimum voltage of the test pulse voltage drop to 2.5 V, the following section is modified in the void generate_pulse_program_3(void) function in the pulse.c file.

Original version:

```
// Decrease the voltage from 11.0 (176) to 3.2 V (25) within 750us
while (vid_out > 25)
{
    vid_out--;
    VID_POUT = vid_out;
    delay_us(5);
}
```

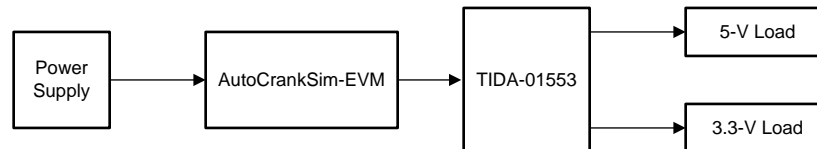
Modified version:

```
// Decrease the voltage from 11.0 (176) to 2.5 V (11) within 750us
while (vid_out > 11)
{
    vid_out--;
    VID_POUT = vid_out;
    delay_us(5);
}
```

For more details, see the VID Interface section of the [Automotive Cranking Simulator User's Guide](#).

To perform the crank profile test:

1. Connect the power supply to input connectors J1 (Power Input) and J4 (GND) on the AutoCrankSim-EVM.
2. Connect the test pulse output from connectors J3 (Power Output) and J2 (GND) on the AutoCrankSim-EVM to input connectors J1 (V_BATT) and J2 (GND) on the reference design, respectively.
3. Connect the 5-V output load to output connectors J3 (5V) and J5 (GND).
4. Connect the 3.3-V output load to output connectors J4 (3V3_STBY) and J6 (GND).
5. Connect a shunt between pins 1 (BATT_BST) and 2 (EN) of J7 to enable the buck controller, or attach an external enable signal to pin 2 (EN) of J7 with the signal ground to pin 3 (GND) of J7.



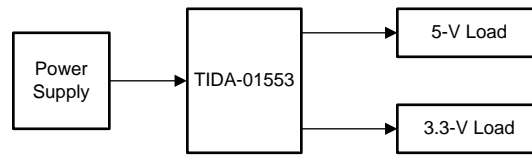
Copyright © 2018, Texas Instruments Incorporated

图 7. Block Diagram of Test Setup for Engine Crank Profile Test

3.2.1.2 Normal Operation Test

To perform a normal operation test:

1. Connect the power supply to input connectors J1 (V_BATT) and J2 (GND) on the reference design.
2. Connect the 5-V output load to output connectors J3 (5V) and J5 (GND).
3. Connect the 3.3-V output load to output connectors J4 (3V3_STBY) and J6 (GND).
4. Connect a shunt between pins 1 (BATT_BST) and 2 (EN) of J7 to enable the buck controller, or attach an external enable signal to pin 2 (EN) of J7 with the signal ground to pin 3 (GND) of J7.



Copyright © 2018, Texas Instruments Incorporated

图 8. Block Diagram of Test Setup for Normal Operation Test

3.2.2 Test Results

3.2.2.1 Output Waveforms During Crank Test Pulse

The following figures show the waveforms during the engine cold crank test for the 5-V output. 图 9 captures the time period from the start of the pulse through most of the t8 stage as specified in the VW 80000: 2013-06 standard. 图 10 shows the zoomed-in voltage drop portion (t4 stage) at the start of the crank for the 5-V output, and 图 11 shows the similar time period for the 3.3-V output.

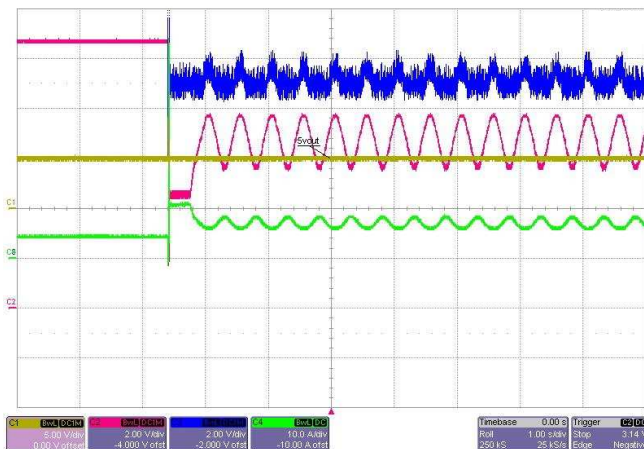


图 9. 5-V Output During Crank Test Pulse

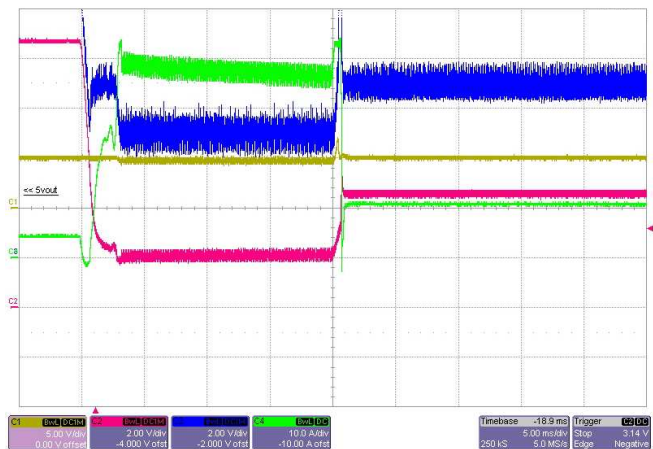


图 10. 5-V Output During Crank Test Pulse (Zoomed)

- Channel 1, 5 V/div (yellow): 5-V output
- Channel 2, 2 V/div (magenta): 11-V input (test pulse)
- Channel 3, 2 V/div (blue): Pre-boost output
- Channel 4, 10 A/div (green): Input current

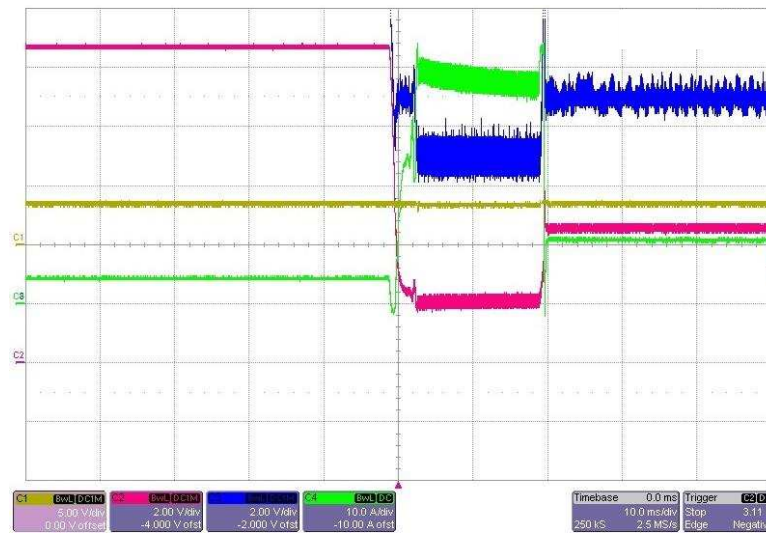


图 11. 3.3-V Output During Crank Test Pulse (Zoomed)

- Channel 1, 5 V/div (yellow): 3.3-V output
- Channel 2, 2 V/div (magenta): 11-V input (test pulse)
- Channel 3, 2 V/div (blue): Pre-boost output
- Channel 4, 10 A/div (green): Input current

3.2.2.2 Output Waveforms at Normal Operation

图 12 和 图 13 显示输出启动波形，输入电压为 11 V 且无负载：

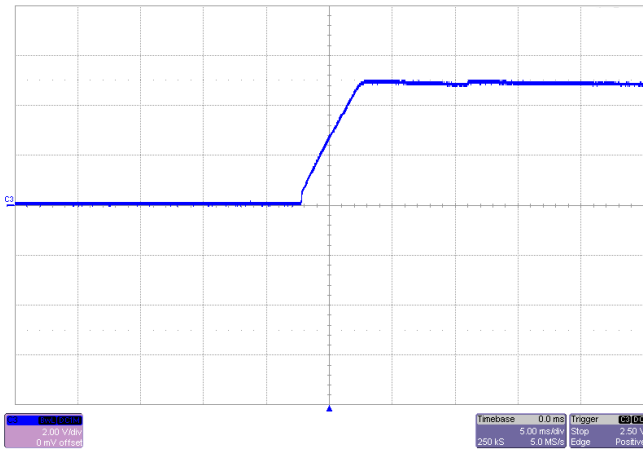


图 12. 5-V Output Start-Up (No Load)

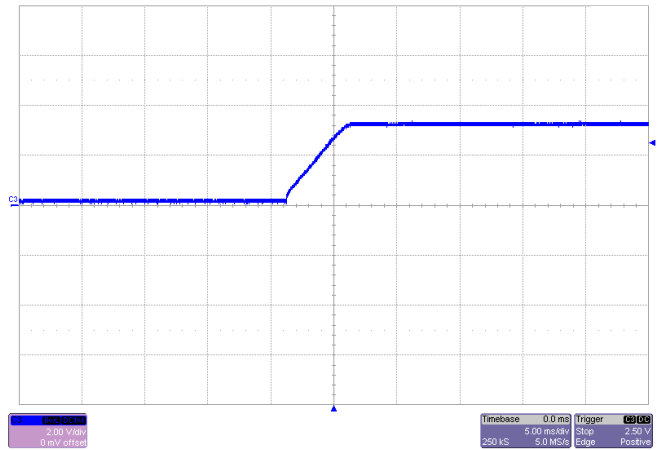


图 13. 3.3-V Output Start-Up (No Load)

图 14 通过 图 17 显示纹波和开关节点输出波形，输入电压为 11 V 且每个输出具有最大输出负载为 10 A：

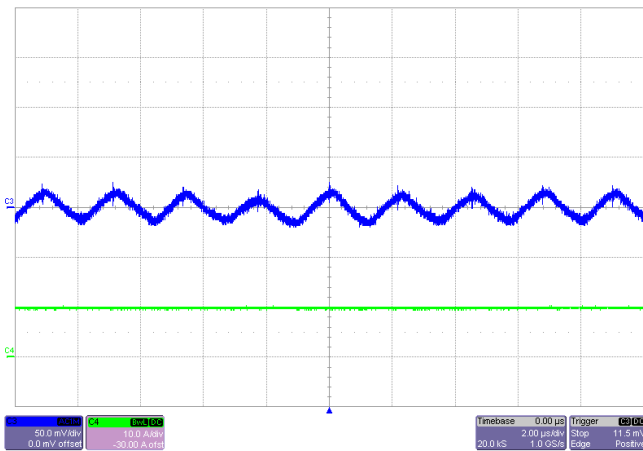


图 14. 5-V Output Ripple

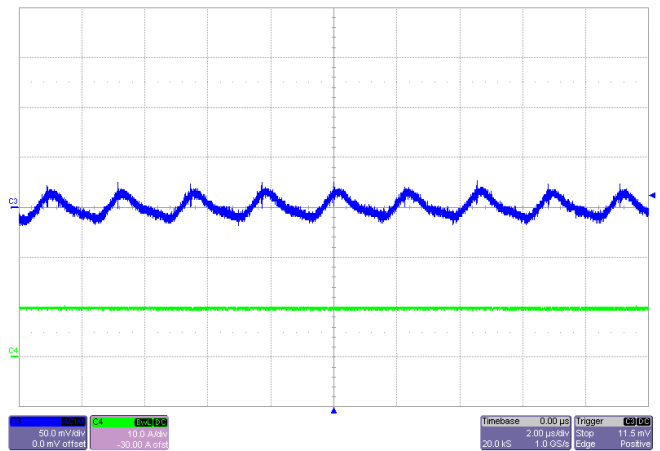


图 15. 3.3-V Output Ripple

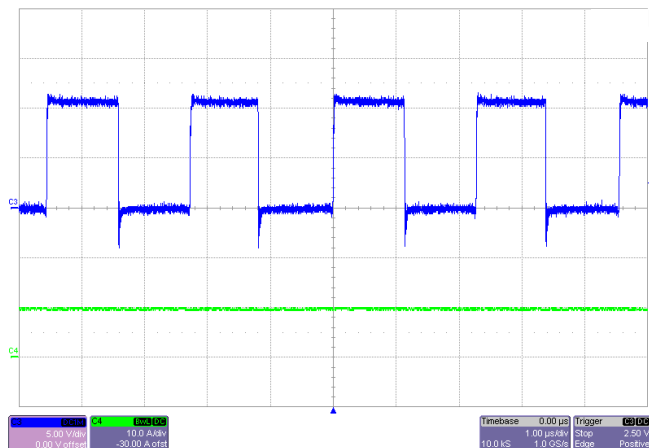


图 16. 5-V Output Switch Node

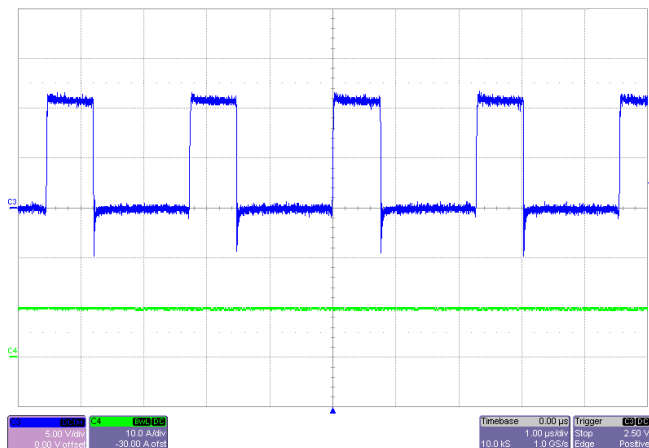


图 17. 3.3-V Output Switch Node

图 18 和 图 19 显示具有 11-V 输入、25% 到 75% 负载步阶的瞬态负载响应波形：

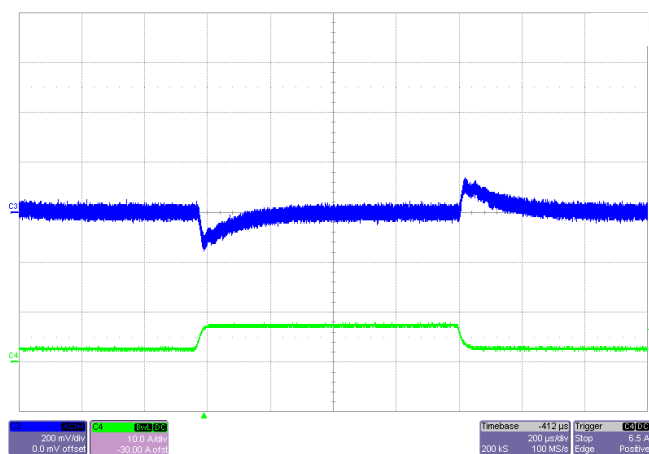


图 18. 5-V Output Load Transient Response

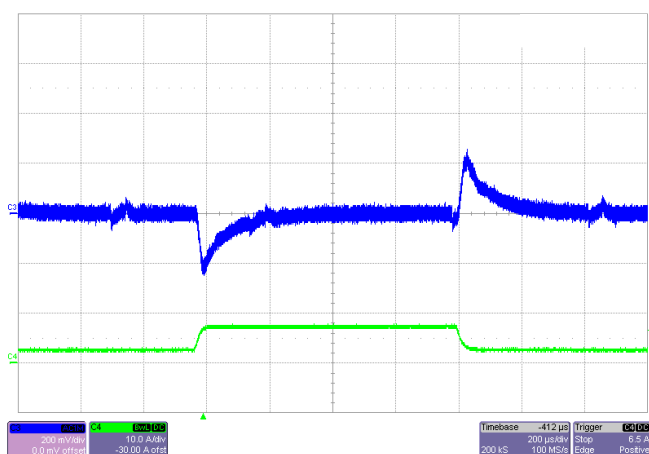


图 19. 3.3-V Output Load Transient Response

3.2.2.3 Efficiency Measurements

The efficiency of the 5-V output of this reference design is more than 90% with a 500-mA load and above:

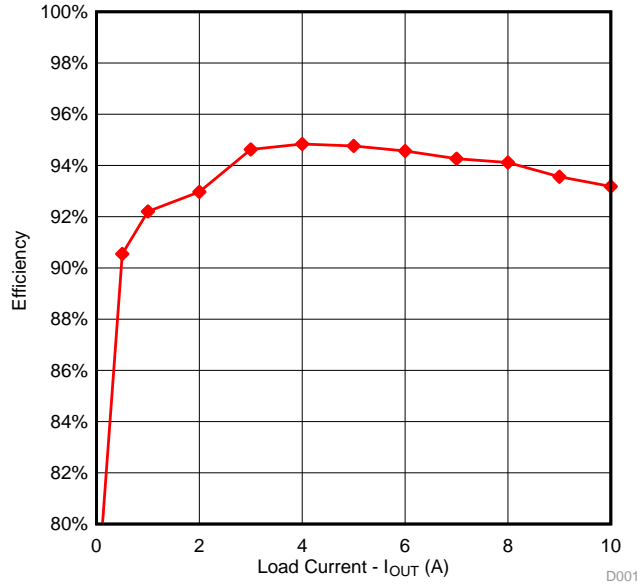


图 20. 5-V Output Efficiency

表 2. 5-V Output Efficiency Measurements

V _{IN} (V)	I _{IN} (A)	P _{IN} (W)	V _{OUT} (V)	I _{OUT} (A)	P _{OUT} (W)	P _{LOSS} (W)	EFFICIENCY
11.04	0.01	0.08	5.03	0.00	0.00	0.08	0.0%
11.04	0.06	0.63	5.01	0.10	0.50	0.13	79.6%
11.02	0.25	2.77	5.01	0.50	2.50	0.26	90.5%
11.00	0.49	5.43	5.01	1.00	5.01	0.42	92.2%
10.95	0.98	10.78	5.01	2.00	10.02	0.76	93.0%
10.91	1.46	15.88	5.01	3.00	15.03	0.85	94.6%
10.86	1.95	21.12	5.01	4.00	20.03	1.09	94.8%
10.82	2.44	26.42	5.01	5.00	25.04	1.38	94.8%
10.77	2.95	31.77	5.01	6.00	30.05	1.73	94.6%
10.73	3.47	37.18	5.01	7.00	35.05	2.13	94.3%
10.69	3.98	42.56	5.01	8.00	40.05	2.50	94.1%
10.65	4.52	48.16	5.01	9.00	45.06	3.10	93.6%
10.61	5.06	53.71	5.01	10.00	50.05	3.66	93.2%

The efficiency of the 3.3-V output of this reference design is more than 90% with a 2-A load and above:

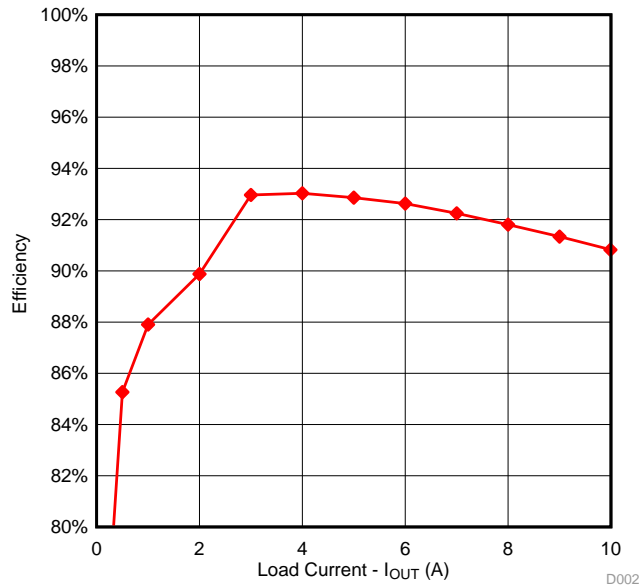


图 21. 3.3-V Output Efficiency

表 3. 3.3-V Output Efficiency Measurements

V _{IN} (V)	I _{IN} (A)	P _{IN} (W)	V _{OUT} (V)	I _{OUT} (A)	P _{OUT} (W)	P _{LOSS} (W)	EFFICIENCY
11.04	0.01	0.08	3.32	0.00	0.00	0.08	0.0%
11.04	0.04	0.45	3.31	0.10	0.33	0.12	73.1%
11.03	0.18	1.94	3.31	0.50	1.65	0.29	85.3%
11.01	0.34	3.76	3.31	1.00	3.31	0.46	87.9%
10.97	0.67	7.36	3.31	2.00	6.62	0.75	89.9%
10.94	0.98	10.68	3.31	3.00	9.92	0.75	93.0%
10.91	1.30	14.22	3.31	4.00	13.23	0.99	93.0%
10.87	1.64	17.81	3.31	5.00	16.54	1.27	92.9%
10.83	1.98	21.42	3.31	6.00	19.84	1.58	92.6%
10.79	2.33	25.10	3.31	7.00	23.15	1.95	92.2%
10.76	2.68	28.82	3.31	8.00	26.46	2.36	91.8%
10.73	3.04	32.58	3.31	9.00	29.75	2.82	91.3%
10.70	3.40	36.40	3.31	10.00	33.06	3.34	90.8%

3.2.2.4 Thermal Measurements

The temperature of the components are measured at the ambient temperature of 25°C without airflow. Three steady state input voltages are used—6 V, 11 V, and 14 V—with a maximum load of 10 A at each output. The following figures are captured after 15 minutes of soak time.

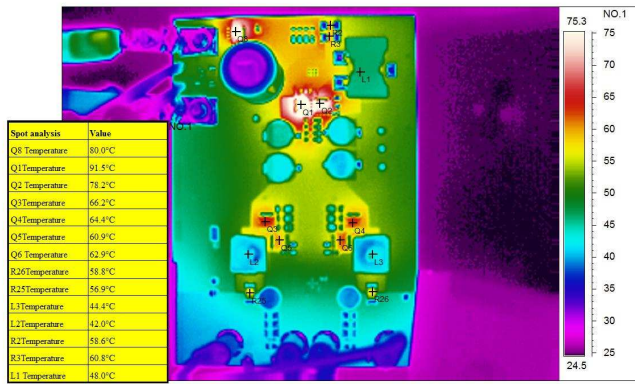


图 22. Thermal Measurements at 6-V Input (Front)

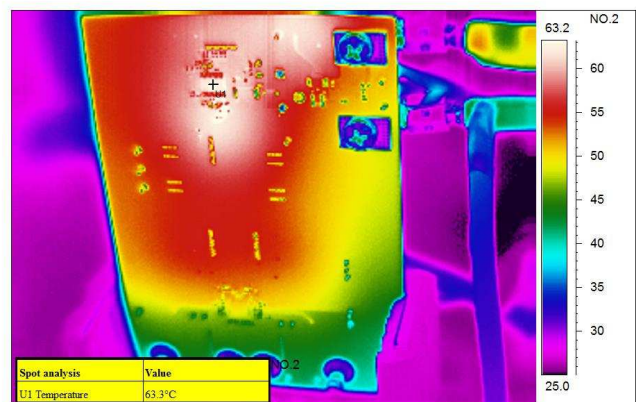


图 23. Thermal Measurement at 6-V Input (Back)

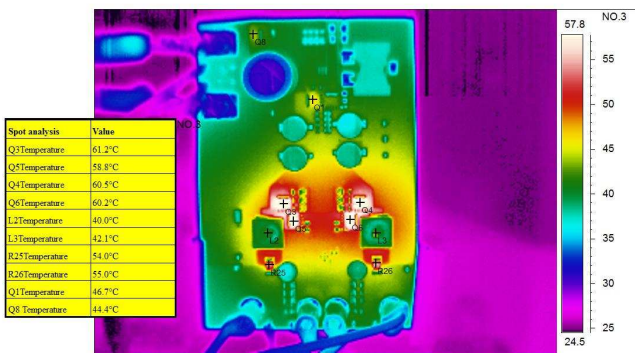


图 24. Thermal Measurements at 11-V Input (Front)

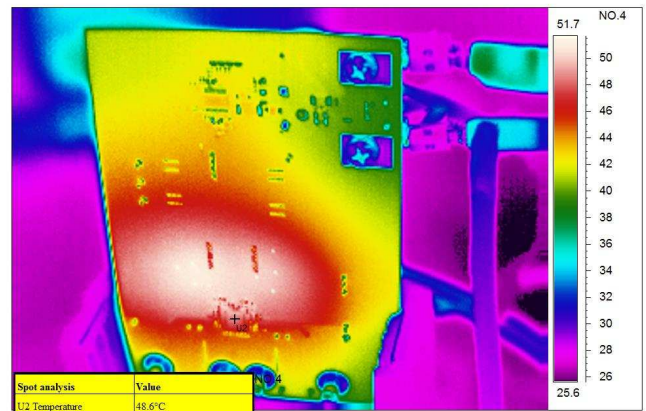


图 25. Thermal Measurement at 11-V Input (Back)



图 26. Thermal Measurements at 14-V Input (Front)

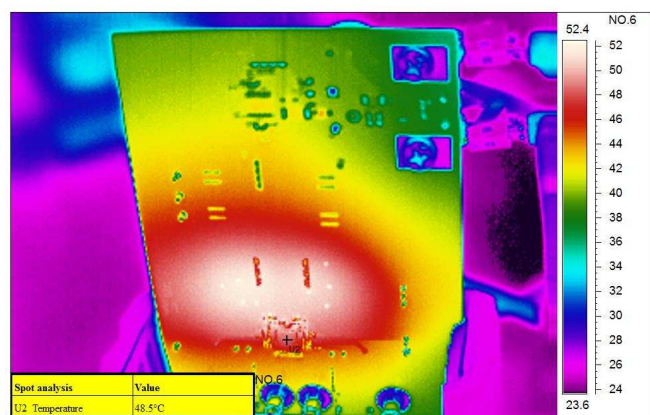


图 27. Thermal Measurement at 14-V Input (Back)

4 Design Files

4.1 Schematics

To download the schematics, see the design files at [TIDA-01553](#).

4.2 Bill of Materials

To download the bill of materials (BOM), see the design files at [TIDA-01553](#).

4.3 PCB Layout Recommendations

General rules to reduce power supply noise:

- Minimize the output loop for the boost power supply.
- Minimize the input loop for the buck power supply.

4.3.1 Layout Prints

To download the layer plots, see the design files at [TIDA-01553](#).

4.4 Altium Project Files

To download the Altium project files, see the design files at [TIDA-01553](#).

4.5 Gerber Files

To download the Gerber files, see the design files at [TIDA-01553](#).

4.6 Assembly Drawings

To download the assembly drawings, see the design files at [TIDA-01553](#).

5 Related Documentation

1. Texas Instruments, [HVL068A Automotive Cranking Simulator User's Guide](#)
2. Texas Instruments, [AN-1889 How to Measure the Loop Transfer Function of Power Supplies Application Report](#)
3. ISO 16750-2, Fourth edition, 2012-11-01, [Road vehicles — Environmental conditions and testing for electrical and electronic equipment — Part 2: Electrical loads](#)
4. VW 80000: 2013-06, [Electric and Electronic Components in Motor Vehicles up to 3.5 t - General Component Requirements, Test Conditions and Tests](#)

5.1 商标

E2E is a trademark of Texas Instruments.

All other trademarks are the property of their respective owners.

有关 TI 设计信息和资源的重要通知

德州仪器 (TI) 公司提供的技术、应用或其他设计建议、服务或信息，包括但不限于与评估模块有关的参考设计和材料（总称“TI 资源”），旨在帮助设计人员开发整合了 TI 产品的应用；如果您（个人，或如果是代表贵公司，则为贵公司）以任何方式下载、访问或使用了任何特定的 TI 资源，即表示贵方同意仅为该等目标，按照本通知的条款进行使用。

TI 所提供的 TI 资源，并未扩大或以其他方式修改 TI 对 TI 产品的公开适用的质保及质保免责声明；也未导致 TI 承担任何额外的义务或责任。TI 有权对其 TI 资源进行纠正、增强、改进和其他修改。

您理解并同意，在设计应用时应自行实施独立的分析、评价和判断，且应全权负责并确保应用的安全性，以及您的应用（包括应用中使用的 TI 产品）应符合所有适用的法律法规及其他相关要求。就您的应用声明，您具备制订和实施下列保障措施所需的一切必要专业知识，能够 (1) 预见故障的危险后果，(2) 监视故障及其后果，以及 (3) 降低可能导致危险的故障几率并采取适当措施。您同意，在使用或分发包含 TI 产品的任何应用前，您将彻底测试该等应用和该等应用所用 TI 产品的功能而设计。除特定 TI 资源的公开文档中明确列出的测试外，TI 未进行任何其他测试。

您只有在为开发包含该等 TI 资源所列 TI 产品的应用时，才被授权使用、复制和修改任何相关单项 TI 资源。但并未依据禁止反言原则或其他法律授予您任何 TI 知识产权的任何其他明示或默示的许可，也未授予您 TI 或第三方的任何技术或知识产权的许可，该等许可包括但不限于任何专利权、版权、屏蔽作品权或与使用 TI 产品或服务的任何整合、机器制作、流程相关的其他知识产权。涉及或参考了第三方产品或服务的信息不构成使用此类产品或服务的许可或与其相关的保证或认可。使用 TI 资源可能需要您向第三方获得对该等第三方专利或其他知识产权的许可。

TI 资源系“按原样”提供。TI 兹免除对 TI 资源及其使用作出所有其他明确或默示的保证或陈述，包括但不限于对准确性或完整性、产权保证、无复发故障保证，以及适销性、适合特定用途和不侵犯任何第三方知识产权的任何默认保证。

TI 不负责任何申索，包括但不限于因组合产品所致或与之有关的申索，也不为您辩护或赔偿，即使该等产品组合已列于 TI 资源或其他地方。对因 TI 资源或其使用引起或与之有关的任何实际的、直接的、特殊的、附带的、间接的、惩罚性的、偶发的、从属或惩戒性损害赔偿，不管 TI 是否获悉可能会产生上述损害赔偿，TI 概不负责。

您同意向 TI 及其代表全额赔偿因您不遵守本通知条款和条件而引起的任何损害、费用、损失和/或责任。

本通知适用于 TI 资源。另有其他条款适用于某些类型的材料、TI 产品和服务的使用和采购。这些条款包括但不限于适用于 TI 的半导体产品 (<http://www.ti.com/sc/docs/stdterms.htm>)、[评估模块](http://www.ti.com/sc/docs/sampters.htm)和样品 (<http://www.ti.com/sc/docs/sampters.htm>) 的标准条款。

邮寄地址：上海市浦东新区世纪大道 1568 号中建大厦 32 楼，邮政编码：200122
Copyright © 2018 德州仪器半导体技术（上海）有限公司