

说明

本超低功耗参考设计实现了一个适用于大规模电池组的二级温度监控解决方案。许多行业指南均要求二级温度系统在主电源失效的情况下也要保持供电和工作状态。此设计在超大电容器供电的备用电源轨上使用了低功耗出厂预设热跳闸点, 因此能够在低功耗状态下持续运行。该解决方案能够捕获并解决任何超温或欠温事件, 即使来自自主系统控制器的电源不可用时也能有效工作, 从而提高了整个系统的安全工作窗口。

资源

- TIDA-01528      设计文件夹
- TMP303          产品文件夹
- bq25570        产品文件夹
- LM324A         产品文件夹
- MSP430FR5994 产品文件夹

特性

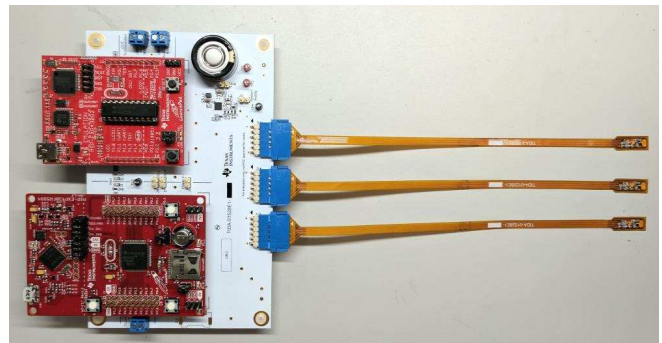
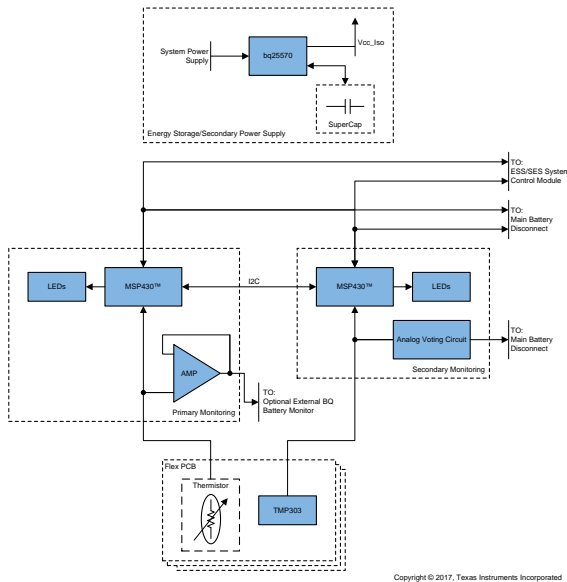
- 在正常工作状态下或当主电路断电时能够提供温度监控和保护
- 超低功耗 **TMP303**, 每个器件最高仅消耗 **5 $\mu$ A** 电流
- 通过超大电容器和充电器实现的集成备用电源
- 用于充电控制的 **TI** 电池监控器接口满足初级和二级保护要求
- 具有迟滞功能的工厂可编程的过温和欠温跳闸点

应用

- [静态能量存储](#)
- [HEV/EV](#)
- [轻轨](#)



咨询我们的 E2E 专家



该 TI 参考设计末尾的重要声明表述了授权使用、知识产权问题和其他重要的免责声明和信息。

## 1 System Description

At the time of this writing, the energy generation market is producing an increasing rate of electricity from renewable energy sources. Whether the demand for renewable energy comes from governments or individuals, the field is expanding. This paradigm shift in electricity generation is positive; however, it is not without challenges. Due to the variability in output, certain factors have created the need for energy storage devices, which help to regulate and sustain the grid when the sun goes behind a cloud or a steady wind dies down. During these transitions, there is often a gap of time between these sources lowering their energy output and more traditional generation techniques taking their place (such as the wind-up time on generators), as well as capturing excess energy produced to use later. This storage capacity enables energy to be captured and conserved to keep the power output stable, and produce the power as efficiently as possible without derating.

The design implements temperature sensing elements on the end of a flexible printed-circuit board (flex-PCB), which allows the installer to drop the elements in between individual battery cells. After placing the sensing elements, a thermal epoxy may be used to ensure good thermal conduction and prevent movement. The use of a flex-PCB allows the designer to establish a reliable connection between the sensing elements and the main board without having to manage a bundle of wires. Depending on the manufacturing technique and materials used, flex-PCBs can be made to withstand high temperatures for a variety of environments. Be sure to always check with the original equipment manufacturer for specific thermal capabilities.

Many industry guidelines require the secondary temperature system to remain powered and operational in the event that the primary power supply is lost. This design makes use of a power management integrated circuit (IC) with a boost charger and nanopower buck converter (bq25570). This device maintains a charge on a supercapacitor (supercap) when connected to a power source and maintains a constant output voltage to supply the components of the secondary system. The device is then able to use the supercap as an energy source when the main power supply is lost, therefore ensuring power delivery to the secondary protection circuit. This feature allows continued operation of the secondary side for a determined amount of time before failing safe. The advantage to using this system with a management IC and supercap is lower maintenance, as the lifetime of the capacitor is much longer than a similar Li-Ion coin cell, and supercaps typically do not require additional certification requirements for industry standards.

### 1.1 Key System Specifications

表 1. Key System Specifications

PARAMETER	SPECIFICATIONS	DETAILS
Backup power run time	1 day	表 5
Thermal trip-points	Configurable based on battery pack requirements	节 2.3.2
Low current consumption	25 $\mu$ A	节 2.3.3



## 2.2 Highlighted Products

### 2.2.1 TMP303

The TMP303 family of devices are temperature range monitors that offer design flexibility through an extra-small footprint (SOT-563), low power (5  $\mu$ A maximum), and low supply voltage capability (as low as 1.4 V). These devices require no additional components for operation; each device can function independent of microprocessors or microcontrollers.

- Low power: 5  $\mu$ A (maximum)
- SOT-563 package: 1.60  $\times$  1.60  $\times$  0.6 mm
- Trip point accuracy:
  - $\pm 0.2^\circ\text{C}$  (typical)
  - Factory-programmed trip points
- Push-pull output
- Selectable hysteresis: 1/2/5/10 $^\circ\text{C}$
- Supply voltage range: 1.4 V to 3.6 V

图 2 shows the TMP303 functional block diagram.

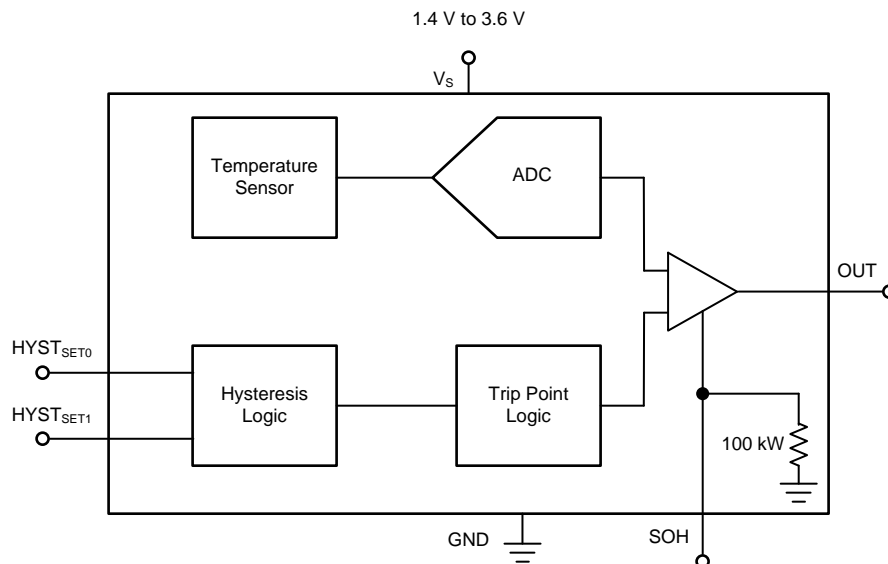


图 2. TMP303 Functional Block Diagram

### 2.2.2 BQ25570

The bq25570 device is specifically designed to efficiently extract microwatts ( $\mu\text{W}$ ) to milliwatts ( $\text{mW}$ ) of power generated from a variety of high-output impedance DC sources like photovoltaic (solar) or thermal electric generators (TEG) without collapsing those sources. The battery management features ensure that a rechargeable battery is not overcharged by this extracted power, with voltage boosted, or depleted beyond safe limits by a system load. In addition to the highly-efficient boosting charger, the bq25570 integrates a highly-efficient, nano-power buck converter for providing a second power rail to systems such as wireless sensor networks (WSN), which have stringent power and operational demands. All the capabilities of the bq25570 are packed into a small-footprint, 20-lead, 3.5x3.5-mm QFN package (RGR).

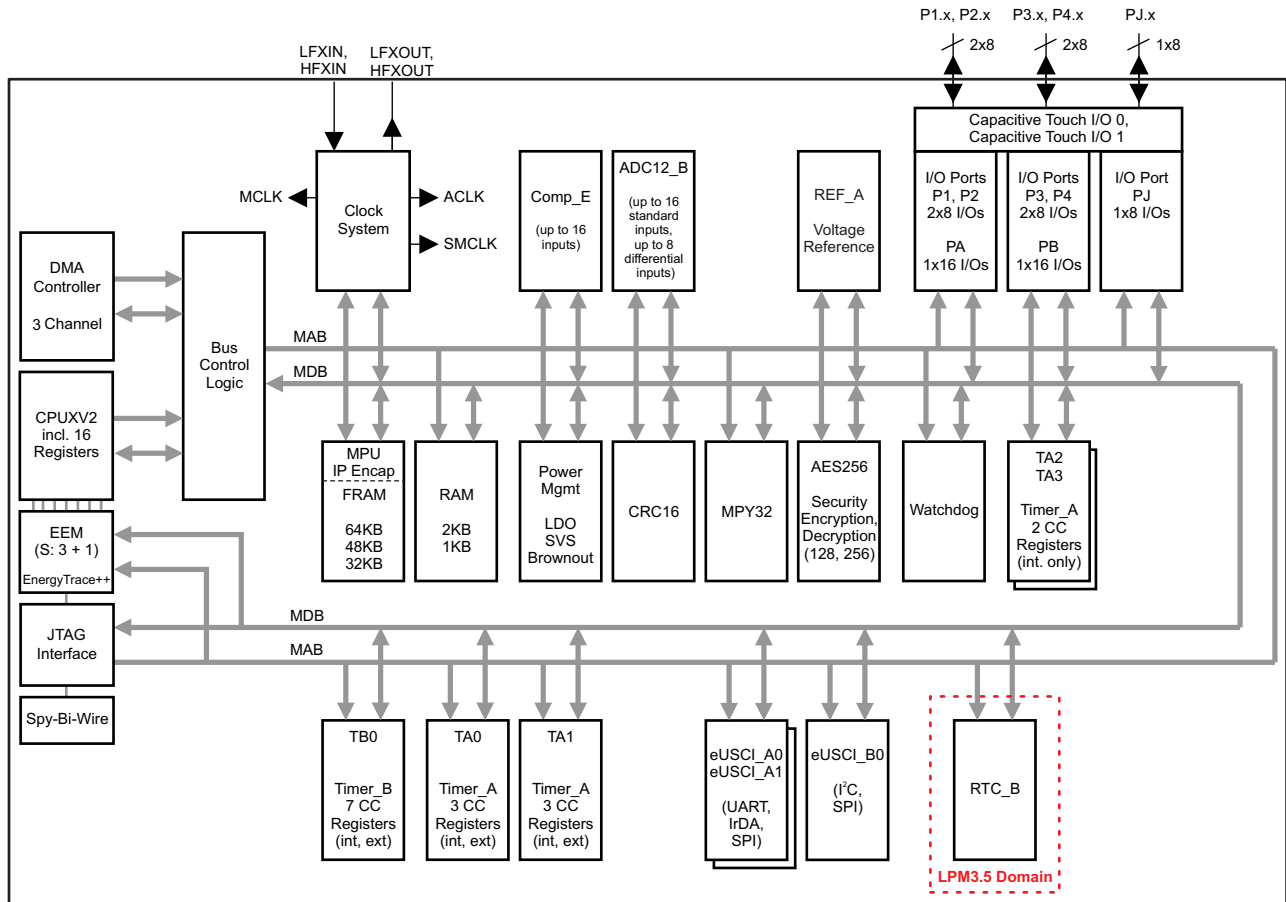
- Ultra-low-power DC/DC boost charger
- Energy storage
- Battery charging and protection
- Battery good output flag
- Programmable step-down regulated output (buck)
- Programmable maximum power point tracking (MPPT)

 3 shows the BQ25570 typical application schematic.



- Enhanced serial communication
- Flexible clock system
- Development tools and software

图 4 shows the MSP430FR5994 functional block diagram.



Copyright © 2016, Texas Instruments Incorporated

图 4. MSP430FR5994 Functional Block Diagram

## 2.2.4 LM324A Quadruple Operational Amplifier

These devices consist of four independent, high-gain frequency-compensated operational amplifiers that are designed specifically to operate from a single supply or split supply over a wide range of voltages.

- 2-kV ESD protection for:
  - LM224K, LM224KA
  - LM324K, LM324KA
  - LM2902K, LM2902KV, LM2902KAV
- Wide supply ranges
  - Single supply: 3 V to 32 V (26 V for LM2902)
  - Dual supplies:  $\pm 1.5$  V to  $\pm 16$  V ( $\pm 13$  V for LM2902)
- Low supply-current drain independent of supply voltage: 0.8 mA typical
- Common-mode input voltage range includes ground, allowing direct sensing near ground
- Low input bias and offset parameters
  - Input offset voltage: 3 mV typical  
A versions: 2 mV typical
  - Input offset current: 2 nA typical
  - Input bias current: 20 nA typical  
A versions: 15 nA typical
- Differential input voltage range equal to maximum-rated supply voltage: 32 V (26 V for LM2902)
- Open-loop differential voltage amplification: 100 V/mV typical
- Internal frequency compensation

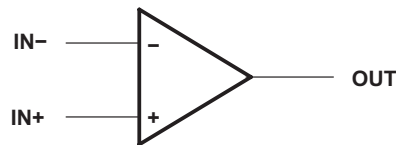


图 5. Symbol (Each Amplifier)



## 2.3 System Design Theory

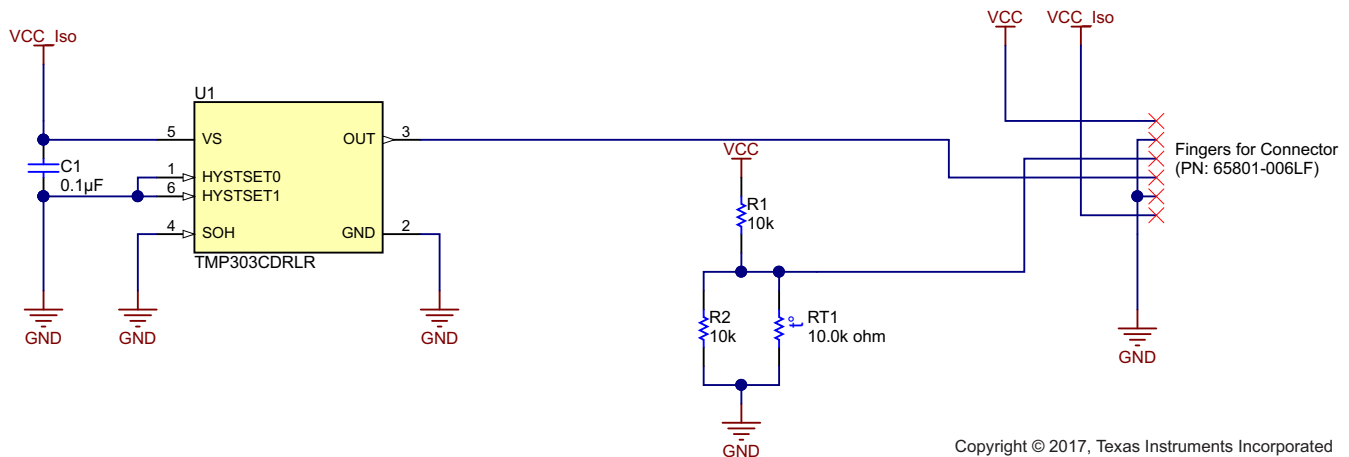
### 2.3.1 Thermal Sensing

The main component showcased in this design is the TMP303, a window temperature sensing device which has a single *Alert* output that is normally low when the temperature is between the over- and undertemperature threshold. When the device senses a temperature outside the thresholds, the Alert pin goes high and remains high until the sensed temperature of the device falls back to within the acceptable range. Additionally, a percentage of hysteresis is programmable through tying two pins high or low in combination.

Another advantage of the TMP303 is the ability to use the alert pin to directly feed into a disconnect device in a system. This task does not require calculating the temperature or external decision making because the TMP303 accounts for these values, which are programmed during manufacturing.

In addition to the TMP303 temperature switch, this design uses a standard negative temperature coefficient (NTC) thermistor, which is added to the sensing system for normal temperature profiling.

图 6 shows the schematic of the temperature-sensing flex daughter PCB.



Copyright © 2017, Texas Instruments Incorporated

图 6. Temperature Sensing Flex Daughter PCB

Placing the temperature sensing elements on the end of flex PCBs accomplishes several tasks. First, the installation is simplified by allowing all power and signaling lines to be contained together within one strip. With the flex-PCB, an installer is able to route and then secure the probes with ease. The use of surface mount devices also increases the number of devices to choose from, especially if the designer wishes to use a digital temperature sensor on the primary side.

### 2.3.2 Fault Signaling

To enable designer confidence in using the correct operation during monitoring, simplify the signaling, and reduce the number of points of failure, the TMP303 device is preprogrammed to make the decision as to whether a temperature reading is outside of the proper operating conditions. A list of available TMP303 devices and the associated trip points is available in 表 2. This configuration reduces or even eliminates the mistakes caused during temperature conversion by the variable of an external comparator or controller. With a simple high or low signal, precise analog-to-digital converters (ADCs) and compensation curves are not required and can feed directly into a disconnect switch.

**表 2. TMP303 Preprogrammed Trip Point Options**

DEVICE	TRIP POINTS (°C)
TMP303A	$T_L = 0, T_H = 60$
TMP303B	$T_L = 0, T_H = 55$
TMP303C	$T_L = -20, T_H = 60$
TMP303D	$T_L = -15, T_H = 125$
TMP303E	$T_L = 0, T_H = 70$
TMP303F	$T_L = 0, T_H = 80$
TMP303G	$T_L = 0, T_H = 90$

Through the implementation of a discrete ORing circuit, TMP303 signals can together control a normally high output to a disconnect circuit. This circuit enables any of the devices to cause a disconnect when abnormal temperatures are detected and cause the output to be pulled low in the event that the power supply of the secondary system is lost. This simple ORing arrangement enables simple control of an external element, such as a power relay or field-effect transistor (FET) that can cut power to the battery pack without requiring any influence by the host application processor.

### 2.3.3 Low-Power Operation

The system utilizes two MSP430™ LaunchPad™ Development Kits, which showcase TI's ultra-low power MCUs. Through the use of these devices, both on the primary and secondary side, the task of supervising the power supply and temperature measurements is easy to complete. The other advantage of the MSP430 line is the ability to place the device into varied low-power states, which allow interrupts to wake the MCUs when a problem is detected, but use very little power when the system is operating under normal conditions.

Power consumption of the system is very important because the secondary side is able to run for as long as possible without an external supply. Further optimization has been taken into account by implementing a supercap as the energy storage medium over a Li-Ion coin cell. By sacrificing power density for less maintenance and regulatory approval, the end user is no longer required to monitor the health of the energy storage medium. With the chosen components, the loss in total energy available is accounted for in ultra-low-power operation for a reasonable amount of time. Note that, if the device is left unchecked for an extended period of time, the system is still able to fail-safe when the energy storage device is depleted.

### 2.3.4 Operation Through Power Failure

The bq25570 is a nano-power boost charger and buck converter, specifically designed for ultra-low power levels and a variety of energy storage media. In this design, the ability of the bq25570 device to properly charge and maintain a supercap and the integrated low-power buck easily accomplishes the task of storage and power supply. The device saves board space by only requiring external resistors for setting parameters within the device. The device is also designed for use with energy-harvesting devices, which allow the customer to adapt the design to use a solar panel or other device to supply power for a longer backup run time. To accomplish this backup power, the device makes use of a boost input topology which is able to convert input power to the proper voltage to charge the energy storage medium, even when the generated power is in micro- or milliwatts.

图 7 shows the schematic for the backup power rail generation.

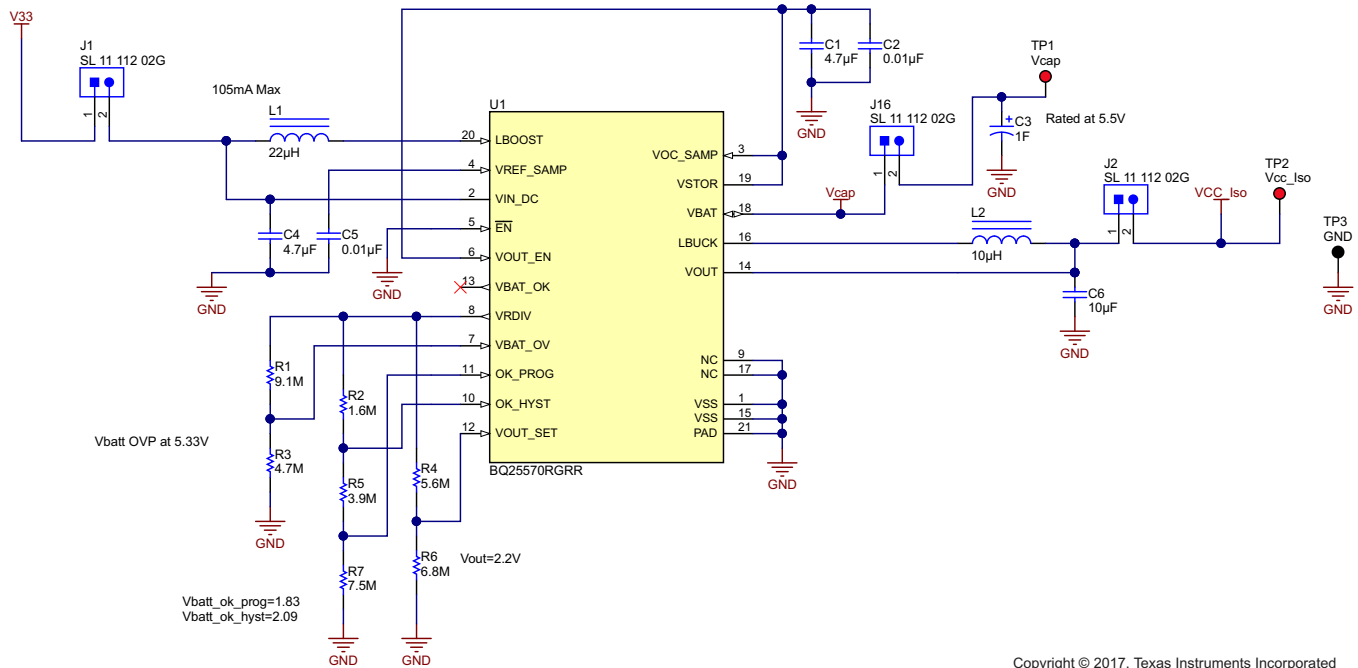


图 7. Backup Power Rail Generation Schematic

To further reduce power consumption and extend the operational time of the backup system, the functionality is split between the two MSP430 devices. The MSP430FR5994 LaunchPad serves as the host application processor, while the MSP430G2 LaunchPad functions as the temperature window monitor. These devices are delineated through two separate voltage rails in this design: VCC and VCC\_Iso. In the event of a power failure, VCC becomes inaccessible and the main application processor ceases functionality, charge management, and standard supervision.

The backup system continues to provide power to the G2 processor and TMP303 devices. If a fault does occur in this time, the TMP303 device can signal the G2 to wake up and record the event, while also signaling any external protection devices to open the power path to the battery back and disconnect it from whatever is causing the fault. Upon regaining power, the application processor can then request the fault logs from the G2 and make a decision on how to proceed.

### 3 Hardware, Software, Testing Requirements, and Test Results

#### 3.1 Required Hardware

The required hardware is as follows:

- Laptop computer with USB port
- Thermal stream or environmental chamber
- Thermocouple (attached to TMP303)
- Digital 5½ multimeter
- 3.3-V power supply

##### 3.1.1 Hardware

图 8 shows an image of the TIDA-01528 board.

注: On Rev A of the board, the LaunchPad headers have a silkscreen on the top that does not match the actual socket label. The socket label that is correct is on the bottom side of the board. These labels have been updated and fixed in the files available under [Design Files](#).

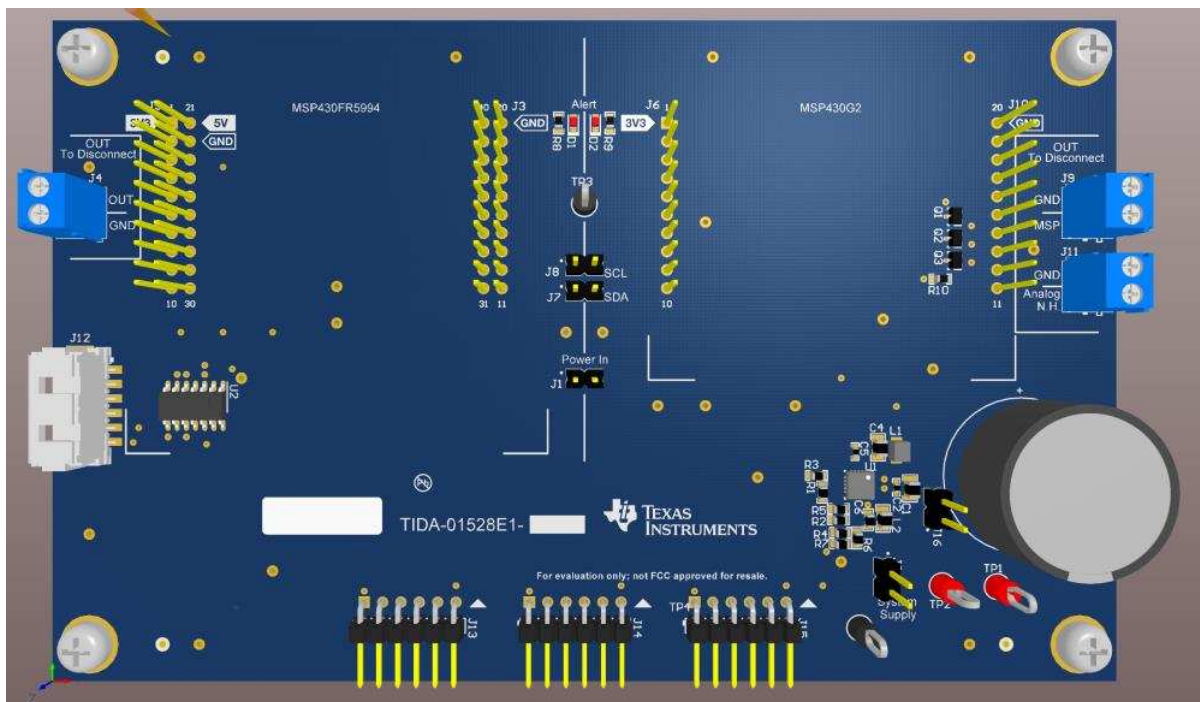


图 8. TIDA-01528 Board Overview

## 3.2 Testing and Results

### 3.2.1 Test Setup

#### 3.2.1.1 Start-Up

1. Remove the jumpers across J1, J7, J8, and remove any external connections that may be present

#### 3.2.1.2 Main Power Rail Bring-Up

1. Power up the board by first connecting the MSP430FR5994 LaunchPad to the main board.
2. Measure the voltage between TP1 and ground (TP4); this is the starting voltage of the capacitor.
3. Connect a USB cable.
  - Note that, if the supercap is completely discharged, TI recommends to first use a 5-V power supply because it can initially draw a bit of current.
4. Measure the voltage at the pins labeled 5V and 3.3V on the LaunchPad and verify that they are regulating at 5 V and 3.3 V, respectively.
5. Place a current meter across J16 to connect the supercap to the regulation circuit and measure the charge current in a later step.
6. Place a jumper across J1 to power up the power supply of the secondary protection circuit.
7. Measure the charge current using the meter placed in the previous step 6.
8. Remove the Jumper from J1.
9. Remove the current measuring lines and place a jumper across J16.
10. Replace the jumper across J1.

#### 3.2.1.3 Secondary Power Rail Bring-Up (See 表 3 for Specific Test Results)

1. Place a jumper across J2 to power up the secondary power rail.
2. The MSP430G2 then starts up. Place jumpers across J7 and J8 to enable communication between the two LaunchPad Development Kits.
3. Place a voltmeter across TP2 and Ground and measure the voltage of the secondary rail.
4. Take three flex-PCBs and orient the arrow on the connectors with the arrow on the main board, connecting them to J13, J14, and J15.
5. After connecting all flex-PCBs, all alert lights (D1, D2) turn off at room temperature.

#### 3.2.1.4 Supercap Run-Time Tests (See 表 5 for Specific Test Results)

1. Return all flex-PCBs to room temperature.
2. Remove the jumper across J1.
3. Remove the jumper on J2 and ensure there is a jumper on J16.
4. Place the current meter across J1.
5. Continue to charge the supercap until the current meter reads less than 1 mA.
6. After the current meter reads close to 0 A, remove the meter connections across J1.
7. Place a voltmeter between TP2 and GND.
8. Place a jumper across J2 and begin powering the secondary system. Start a timer and allow the system to run solely off the supercap.
9. When the voltage is no longer regulated on the secondary rail and drops to 0 V, record the amount of time the system was operational.

### 3.2.1.5 External Connector for Other Battery Management System (BMS) Devices

1. J12 Allows the use of an external battery management device with an analog temperature input without having to populate a second thermistor. These outputs correspond in the following way:
  - a. J13 pin 3 from the left must be equal to pad 2 (from top).
  - b. J14 pin 3 from the left must be equal to pad 3.
  - c. J15 pin 3 from the left must be equal to pad 4.

### 3.2.2 Functional Test Results

表 3. Secondary Rail Validation Checks

MEASUREMENT TERMINAL	EXPECTED	ACTUAL	PASS
J4	0 V	0 V	Yes
J9	0 V	0 V	Yes
J11	1.8 V to 2.2 V	1.85 V	Yes

表 4. Flex-PCB Thermal Test

MEASUREMENT TERMINAL	EXPECTED	ACTUAL	PASS
J4	5 V	4.96 V	Yes
J9	1.8 V	1.85 V	Yes
J11	0 V	0 V	Yes

表 5. Backup Power Run Time

DURATION
1 day 2 hours 12 minutes

## 4 Design Files

### 4.1 Schematics

To download the schematics, see the design files at [TIDA-01528](#).

### 4.2 Bill of Materials

To download the bill of materials (BOM), see the design files at [TIDA-01528](#).

### 4.3 PCB Layout Recommendations

For a proper thermal probe implementation, make the following key considerations:

- Trace connections to SMD pads and vias must be teardropped to decrease the likelihood of fatigue failure at a sharp junction.
- A large ground plan connected to both sides of the PCB must interface with both the TMP303 and NTC thermistor. Vias connecting the planes help ensure sufficient heat flow between both sides of the PCB and, subsequently, accurate system temperature readings.
- A hatched ground plan provides a good trade-off between thermal absorption and flexibility in the PCB.

图 9 shows the TMP303 probe layout.

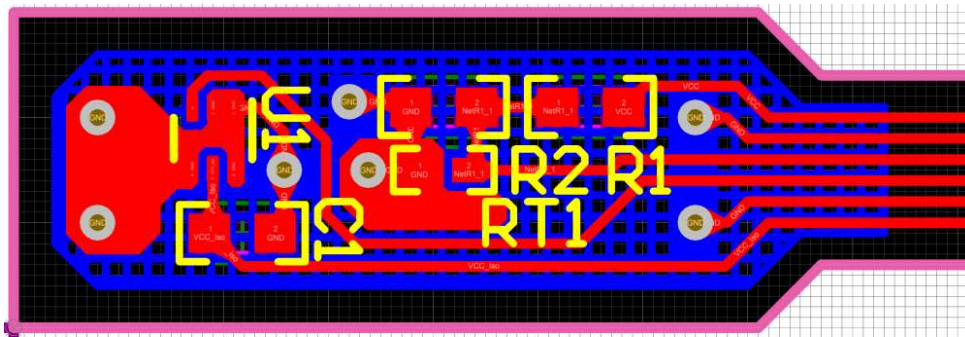


图 9. TMP303 Probe Layout

#### 4.3.1 Layout Prints

To download the layer plots, see the design files at [TIDA-01528](#).

### 4.4 Altium Project

To download the Altium project files, see the design files at [TIDA-01528](#).

### 4.5 Gerber Files

To download the Gerber files, see the design files at [TIDA-01528](#).

### 4.6 Assembly Drawings

To download the assembly drawings, see the design files at [TIDA-01528](#).

## 5 Software Files

To download the software files, see the design files at [TIDA-01528](#).



## 6 Related Documentation

1. Texas Instruments, [TMP303 Easy-To-Use, Low-Power, 1°C, Low-Supply Temperature Range Monitor In Micropackage](#)
2. Texas Instruments, [bq25570 Nano Power Boost Charger and Buck Converter for Energy Harvester Powered Applications](#)

### 6.1 商标

MSP430FR5994, LaunchPad are trademarks of Texas Instruments.  
All other trademarks are the property of their respective owners.

## 7 About the Author

**JACQUES ST. LOUIS** is an applications rotator within the Industrial Systems Team at Texas Instruments. His focus has been on Energy Storage Systems and how they interact with future technologies in renewable energy. These systems have included solar and storage architectures, ranging from residential to utility-scale systems. Jacques joined TI after graduating with his degree in Electrical Engineering from Rose-Hulman Institute of Technology.

**BART BASILE** is a systems architect in the Texas Instruments Grid Infrastructure Solutions Team, where he focus on renewable energy and EV infrastructure. Bart works across multiple product families and technologies to leverage the best solutions possible for system level application design. Bart received his bachelors of science in electronic engineering from Texas A&M University.

## 有关 TI 设计信息和资源的重要通知

德州仪器 (TI) 公司提供的技术、应用或其他设计建议、服务或信息，包括但不限于与评估模块有关的参考设计和材料（总称“TI 资源”），旨在帮助设计人员开发整合了 TI 产品的应用；如果您（个人，或如果是代表贵公司，则为贵公司）以任何方式下载、访问或使用了任何特定的 TI 资源，即表示贵方同意仅为该等目标，按照本通知的条款进行使用。

TI 所提供的 TI 资源，并未扩大或以其他方式修改 TI 对 TI 产品的公开适用的质保及质保免责声明；也未导致 TI 承担任何额外的义务或责任。TI 有权对其 TI 资源进行纠正、增强、改进和其他修改。

您理解并同意，在设计应用时应自行实施独立的分析、评价和判断，且应全权负责并确保应用的安全性，以及您的应用（包括应用中使用的 TI 产品）应符合所有适用的法律法规及其他相关要求。就您的应用声明，您具备制订和实施下列保障措施所需的一切必要专业知识，能够 (1) 预见故障的危险后果，(2) 监视故障及其后果，以及 (3) 降低可能导致危险的故障几率并采取适当措施。您同意，在使用或分发包含 TI 产品的任何应用前，您将彻底测试该等应用和该等应用所用 TI 产品的功能而设计。除特定 TI 资源的公开文档中明确列出的测试外，TI 未进行任何其他测试。

您只有在为开发包含该等 TI 资源所列 TI 产品的应用时，才被授权使用、复制和修改任何相关单项 TI 资源。但并未依据禁止反言原则或其他法律授予您任何 TI 知识产权的任何其他明示或默示的许可，也未授予您 TI 或第三方的任何技术或知识产权的许可，该等产权包括但不限于任何专利权、版权、屏蔽作品权或与使用 TI 产品或服务的任何整合、机器制作、流程相关的其他知识产权。涉及或参考了第三方产品或服务的信息不构成使用此类产品或服务的许可或与其相关的保证或认可。使用 TI 资源可能需要您向第三方获得对该等第三方专利或其他知识产权的许可。

TI 资源系“按原样”提供。TI 兹免除对 TI 资源及其使用作出所有其他明确或默认的保证或陈述，包括但不限于对准确性或完整性、产权保证、无屡发故障保证，以及适销性、适合特定用途和不侵犯任何第三方知识产权的任何默认保证。

TI 不负责任何申索，包括但不限于因组合产品所致或与之有关的申索，也不为您辩护或赔偿，即使该等产品组合已列于 TI 资源或其他地方。对因 TI 资源或其使用引起或与之有关的任何实际的、直接的、特殊的、附带的、间接的、惩罚性的、偶发的、从属或惩戒性损害赔偿，不管 TI 是否获悉可能会产生上述损害赔偿，TI 概不负责。

您同意向 TI 及其代表全额赔偿因您不遵守本通知条款和条件而引起的任何损害、费用、损失和/或责任。

本通知适用于 TI 资源。另有其他条款适用于某些类型的材料、TI 产品和服务的使用和采购。这些条款包括但不限于适用于 TI 的半导体产品 (<http://www.ti.com/sc/docs/stdterms.htm>)、[评估模块](http://www.ti.com/sc/docs/sampters.htm)和样品 (<http://www.ti.com/sc/docs/sampters.htm>) 的标准条款。

邮寄地址：上海市浦东新区世纪大道 1568 号中建大厦 32 楼，邮政编码：200122  
Copyright © 2018 德州仪器半导体技术（上海）有限公司