

TI Designs: TIDA-050016

Type-C 端口短路保护参考设计



说明

这款 USB Type-C 电力输送 (PD) 参考设计是集成在 USB Type-C 直通板中的 TPD6S300A 集成芯片组。USB Type-C 电力输送功率高达 100W, VBUS 最高电压可达 20V, 由此电路保护的需求越来越大。此设计模拟了两个带有短路保护电路的 Type-C 端口相连接的应用, 并提供了一种简单的方法来手动将 VBUS 短接到 CC 和 SBU 引脚。为了演示此功能, 两个器件的连接侧将与按钮开关结合使用。

资源

TIDA-050016	设计文件夹
TPD6S300A	产品文件夹
TPS709	产品文件夹



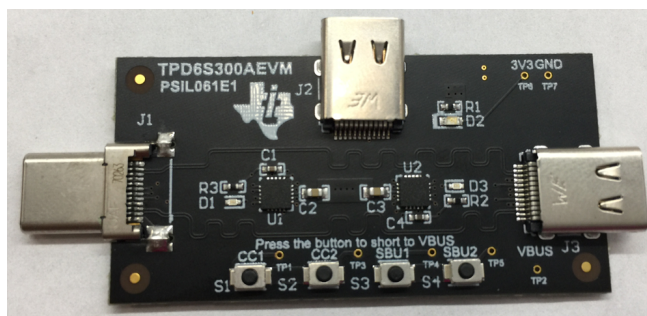
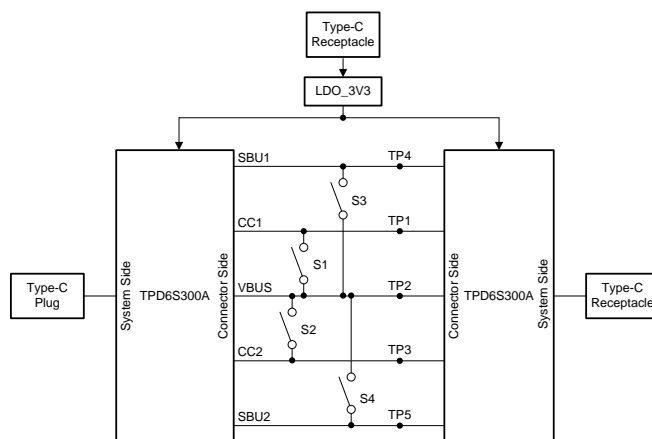
咨询我们的 E2E™ 专家

特性

- 通过按钮将 CC 和 SBU 引脚短接到 VBUS
- 提供了 CC、SBU、VBUS 和 VIN3V3 引脚的测试点
- CC 和 SBU 引脚具有过压和 ESD 保护
- 低功耗
- 采用宽输入电源, 适用于不符合 Type-C 标准的产品

应用

- 笔记本电脑
- 平板电脑
- 集线站
- 智能手机
- 监视器和电视



该 TI 参考设计末尾的重要声明表述了授权使用、知识产权问题和其他重要的免责声明和信息。

1 System Description

This design highlights the implementation and importance of short-to VBUS overvoltage protection. This design provides a convenient way of observing the short-to-VBUS overvoltage protection with the use of pushbuttons to manually create VBUS to CC or SBU short, and test points to observe results. In the event of short-to-VBUS, the well designed combination of voltage clamps and 30-V tolerant OVP FETs ensures the TPD6S300A can handle Short-to-VBUS hot-plug events with hot-plug voltages as high as 24-VDC. Additionally, the convenient Type-C receptacles on this passthrough design, allow the user to easily evaluate operation of the TPD6S300A overvoltage protection and ESD protection with their existing USB Type-C systems.

2 System Overview

2.1 Block Diagram

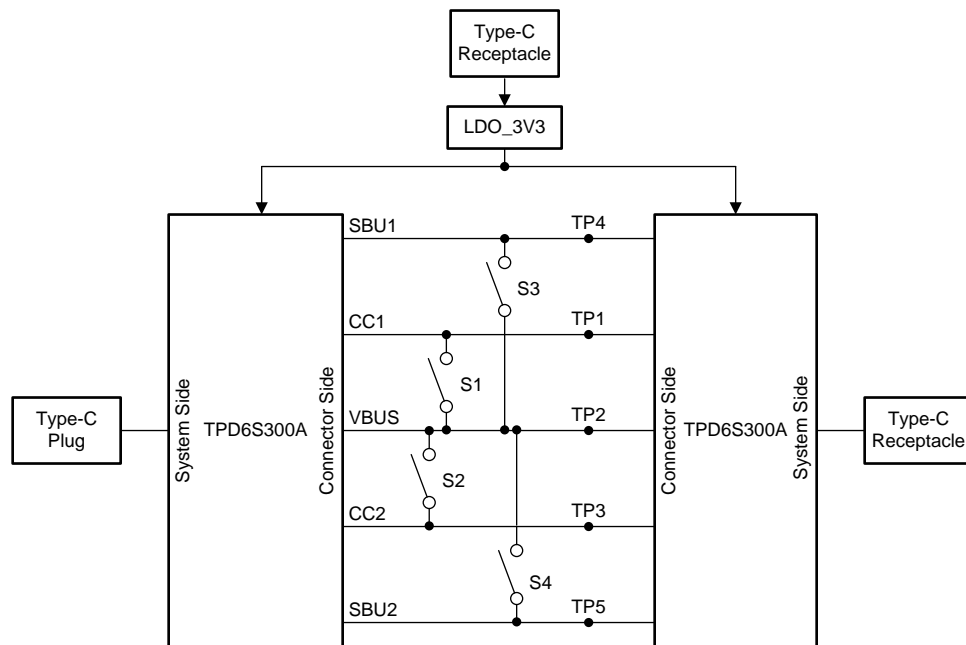


图 1. TIDA-050016 Block Diagram

2.2 Design Considerations

Since the release of the USB Type-C specification, many products and accessories for USB Type-C have been released which do not meet the USB Type-C specification. A concern for USB Type-C is the close proximity of CC, SBU and VBUS pins, because of the small pin pitch of the Type-C connector. Mechanical twisting, sliding of the connector, debris and moisture buildup can cause pins in the connector to be shorted together, resulting in 20-V VBUS being shorted to the CC and SBU pins. These non-ideal equipment and mechanical events make it necessary for the CC and SBU pins to be 20-V tolerant, even though they only operate at 5 V or lower.

The TPD6S300A enables the CC and SBU pins to be 20-V tolerant without interfering with normal operation by providing overvoltage protection on the CC and SBU pins. The device places high voltage FETs in series on the SBU and CC lines. When a voltage above the OVP threshold is detected on these lines, the high voltage switches are opened up, isolating the rest of the system from the high voltage condition present on the connector.

Finally, most systems require IEC 61000-4-2 system level ESD protection for their external pins. The TPD6S300A integrates IEC 61000-4-2 ESD protection for the CC1, CC2, SBU1, SBU2, DP, DM pins, removing the need to place high voltage TVS diodes externally on the connector.

2.3 Highlighted Products

2.3.1 TPD6S300A

The TPD6S300A is a single chip USB Type-C port protection solution that provides 20-V Short-to-VBUS overvoltage and IEC ESD protection. The TPD6S300A provides 4-channels of Short-to-VBUS Overvoltage Protection for the CC1, CC2, SBU1, and SBU2 pins (or the CC1, CC2, DP, and DM pins) of the USB Type-C connector. The TPD6S300A is able to handle 24-VDC on its C_CC1, C_CC2, C_SBU1, and C_SBU2 pins. This is necessary because according to the USB PD specification, with VBUS set for 20-V operation, the VBUS voltage is allowed to legally swing up to 21 V and 21.5 V on voltage transitions from a different USB PD VBUS voltage. The TPD6S300A builds in tolerance up to 24-VBUS to provide margin above this 21.5-V specification to be able to support USB PD adaptors that may break the USB PD specification.

In this reference design, two TPD6S300A chips, with their connector sides tied together are used to showcase the short-to-VBUS overvoltage protection. The design of the passthrough board is to allow users to easily evaluate the TPD6S300A overvoltage protection in their own system, and ensure both their sink and source are protected against the short-to-VBUS caused by the pushbuttons.

2.3.2 TPS709

The power supply for the two TPD6S300A comes from the Type-C receptacle input to the LDO TPS709. In the application, it also can be powered from other integrated LDO in the PD controller since the power consumption is quite low. The resistors on CC1 and CC2 pins are 5.1k which asks for 5 V only from the compliant source. TPS709 is a wide input voltage LDO, which can protect the LDO from noncompatible Type-C sources.

表 1. Input Voltage Range from Type-C Receptacle

Parameter	Min.	Max.
$V_{EN(HI)}$	0.9 V	6.5 V
VBUS	3.3 V	23.9 V

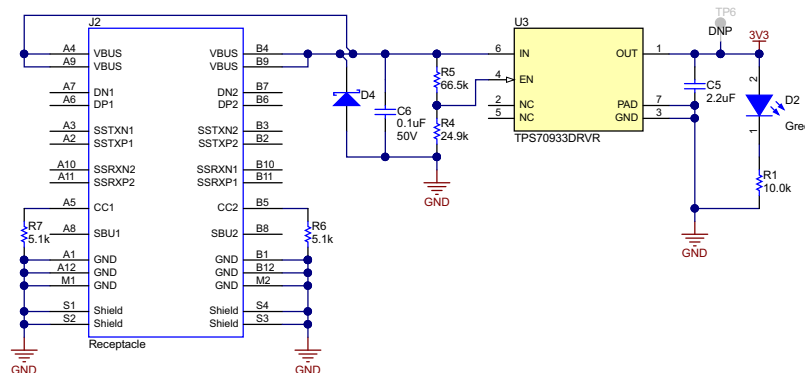


图 2. TIDA-050016 Power Supply

2.4 System

The system sides of TPD6S300A are connected to Type-C plug and receptacle respectively, while the connector side is connected together. This kind of connection can simulate the real application where each Type-C port has one short protection device. For example, the Type-C plug is connected to the computer and the receptacle is connected to mobile phone with Type-C cable.

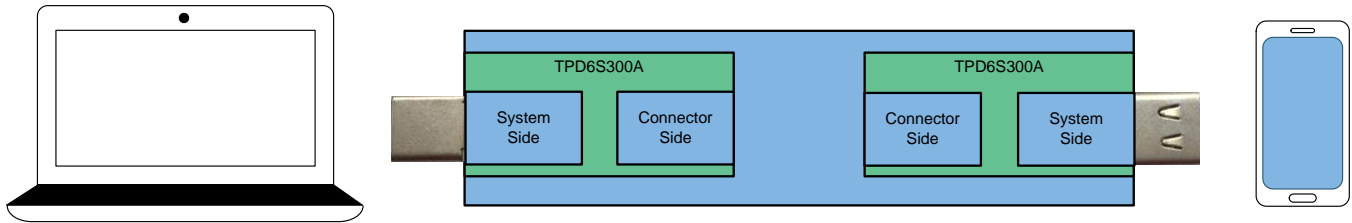


图 3. TIDA-050016 Simplified Application Overview

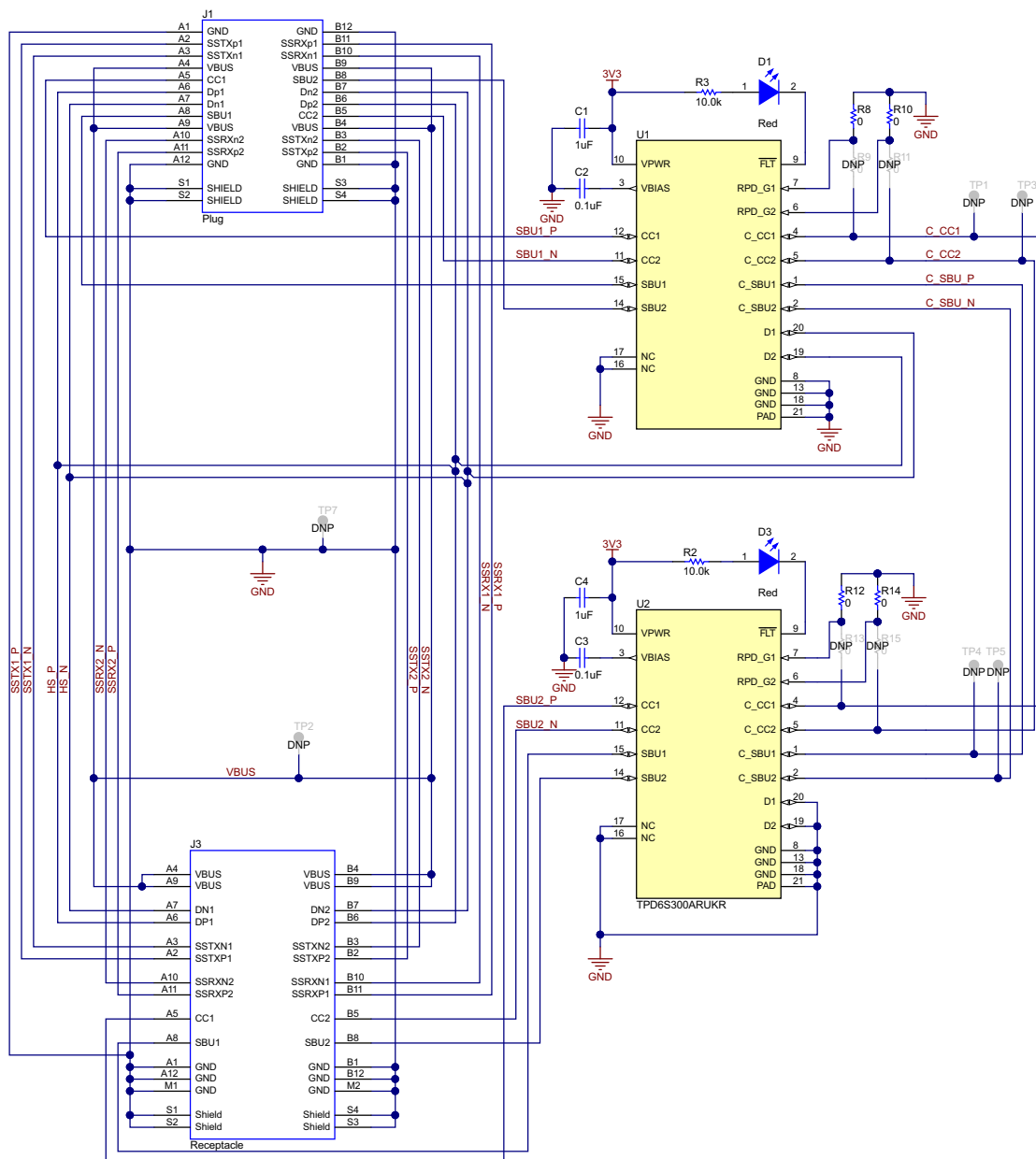


图 4. TIDA-050016 Schematic

3 Hardware, Software, Testing Requirements, and Test Results

3.1 Required Hardware and Software

To fully test the TIDA-050016 board, the following items are required:

1. Windows PC with TPS65988 Application Customization Tool installed
2. TIDA-050016 TI-Design board
3. Type-C input capable of sourcing 20 V
4. Type-C input capable of sourcing atleast 3.3 V
5. PD controller acting as a sink
 - a. TPS65988DH used for testing
 - b. 20-V Barrel jack connector to power TPS65988DH

3.1.1 Hardware

For observing the clamping effect of TPD6S300A, a Type-C connector input source capable of sourcing 20 V is required. Another Type-C cable, capable of sourcing atleast 3.3 V is required to turn on the OVPFETs inside the TPD6S300A. A 20-V barrel jack connector provides power to the TPS65988DH acting as a sink.

3.1.2 Software

The TPS65988 Application Customization Tool must be installed on the Windows PC used to interface with TPS65988DH acting as a sink. The customization tool allows the TPS65988DH to be configured to accept a 20 V contract, by customizing the sink PDO.

3.2 Testing and Results

The protective overvoltage clamping effect of the TPD6S300A is observed by manually shorting CC, SBU lines to VBUS with the use of pushbuttons. As specified in the datasheet, the TPD6S300A will clamp the voltage on the SBU and CC lines to approximately 8 V, and within approximately 70 ns of fault persisting, will turn off its OVPFETs to protect the TPS65988DH sink.

3.2.1 Test Setup

1. Sink: 20-V barrel jack connected to J1 of TPS65988DH
2. Sink: TPS65988DH sink PDO configured for 20 V contract, connected to J1 of TIDA-050016
3. Source: Type-C wall adapter capable of sourcing 20 V, connected to J3 of TIDA-050016
4. Type-C cable capable of sourcing at least 3.3 V connected to J2 TIDA-050016
5. Short CC/SBU pins with the use of pushbuttons
6. Observe results with the use of test points present on TIDA-050016

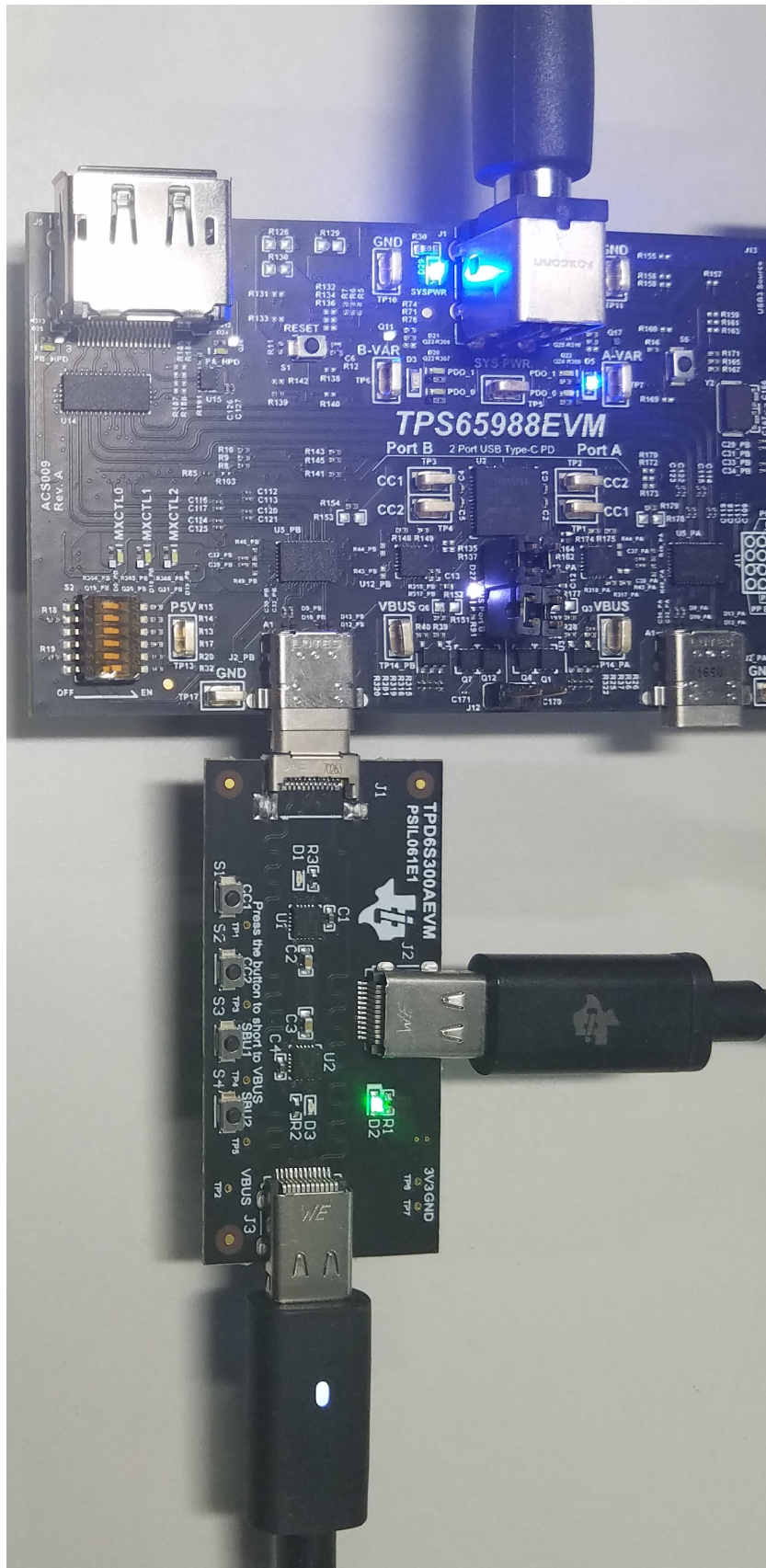


图 5. Test Setup

3.2.2 Test Results

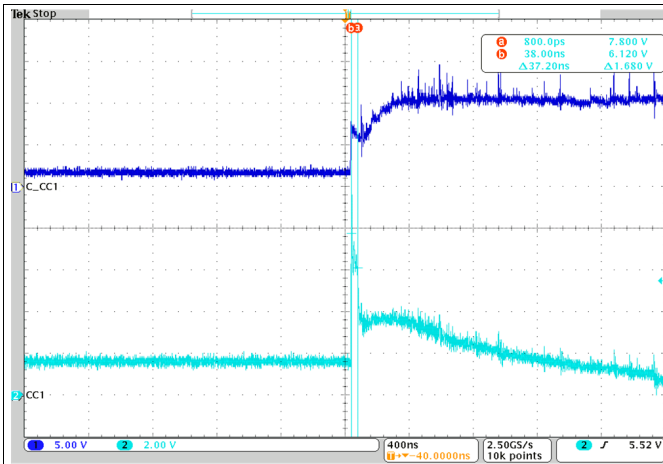


图 6. TIDA-050016 CC1 Short to 20 V

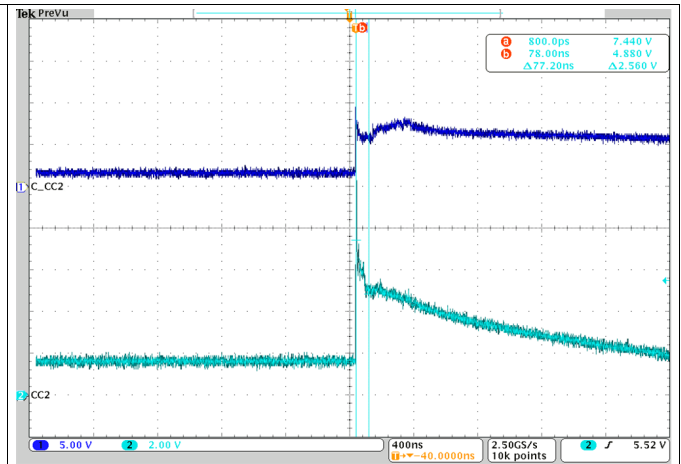


图 7. TIDA-050016 CC2 Short to 20 V

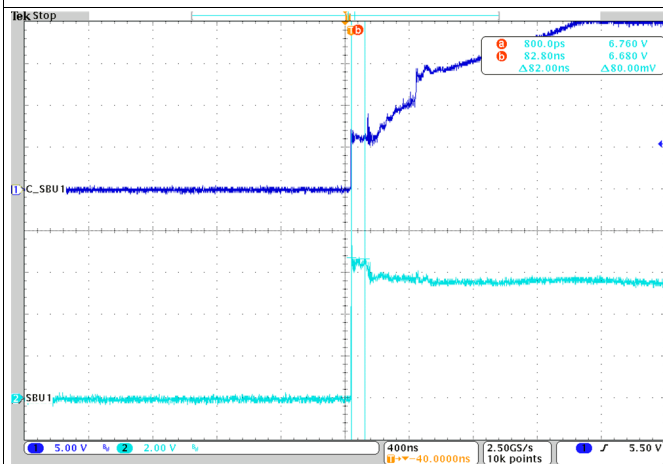


图 8. TIDA-050016 SBU1 Short to 20 V

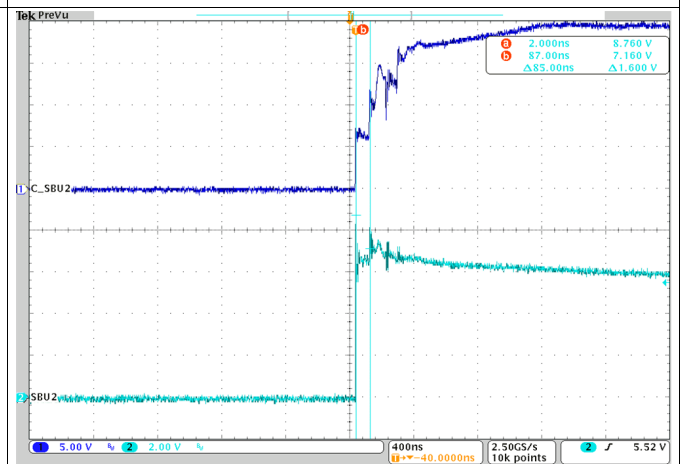


图 9. TIDA-050016 SBU2 Short to 20 V

4 Design Files

4.1 Schematics

To download the schematics, see the design files at [TIDA-050016](#).

4.2 Bill of Materials

To download the bill of materials (BOM), see the design files at [TIDA-050016](#).

4.3 PCB Layout Recommendations

4.3.1 Layout Prints

To download the layer plots, see the design files at [TIDA-050016](#).

4.4 Altium Files

To download the Altium Designer® project files, see the design files at [TIDA-050016](#).

4.5 Gerber Files

To download the Gerber files, see the design files at [TIDA-050016](#).

4.6 Assembly Drawings

To download the assembly drawings, see the design files at [TIDA-050016](#).

5 Software Files

To download the software files, see the design files at [TIDA-050016](#).

6 Related Documentation

- [Circuit Protection for USB Type-C](#)

6.1 商标

E2E is a trademark of Texas Instruments.

Altium Designer is a registered trademark of Altium LLC or its affiliated companies.

All other trademarks are the property of their respective owners.

6.2 Third-Party Products Disclaimer

TI'S PUBLICATION OF INFORMATION REGARDING THIRD-PARTY PRODUCTS OR SERVICES DOES NOT CONSTITUTE AN ENDORSEMENT REGARDING THE SUITABILITY OF SUCH PRODUCTS OR SERVICES OR A WARRANTY, REPRESENTATION OR ENDORSEMENT OF SUCH PRODUCTS OR SERVICES, EITHER ALONE OR IN COMBINATION WITH ANY TI PRODUCT OR SERVICE.

7 Terminology

The terminology used in this design guide is all related to the USB Type-C and PD specifications. These specifications can be downloaded from the USB-IF website.

重要声明和免责声明

TI“按原样”提供技术和可靠性数据（包括数据表）、设计资源（包括参考设计）、应用或其他设计建议、网络工具、安全信息和其他资源，不保证没有瑕疵且不做任何明示或暗示的担保，包括但不限于对适销性、某特定用途方面的适用性或不侵犯任何第三方知识产权的暗示担保。

这些资源可供使用 TI 产品进行设计的熟练开发人员使用。您将自行承担以下全部责任：(1) 针对您的应用选择合适的 TI 产品，(2) 设计、验证并测试您的应用，(3) 确保您的应用满足相应标准以及任何其他功能安全、信息安全、监管或其他要求。

这些资源如有变更，恕不另行通知。TI 授权您仅可将这些资源用于研发本资源所述的 TI 产品的应用。严禁对这些资源进行其他复制或展示。您无权使用任何其他 TI 知识产权或任何第三方知识产权。您应全额赔偿因在这些资源的使用中对 TI 及其代表造成的任何索赔、损害、成本、损失和债务，TI 对此概不负责。

TI 提供的产品受 [TI 的销售条款](#) 或 [ti.com](#) 上其他适用条款/TI 产品随附的其他适用条款的约束。TI 提供这些资源并不会扩展或以其他方式更改 TI 针对 TI 产品发布的适用的担保或担保免责声明。

TI 反对并拒绝您可能提出的任何其他或不同的条款。

邮寄地址：Texas Instruments, Post Office Box 655303, Dallas, Texas 75265

Copyright © 2022，德州仪器 (TI) 公司