

## 设计指南: TIDA-010056

# 适用于三相 BLDC 驱动器且效率高于 99% 的 54V、1.5kW、70x69mm<sup>2</sup> 功率级参考设计



### 说明

本设计指南展示了驱动三相无刷直流电机的 1.5kW 功率级，用于采用电压高达 63V 的 15 节锂离子电池供电的无线工具。本设计是一款 70mm x 69mm 紧凑型驱动器，在 20kHz 开关频率下提供 25A RMS 持续电流，无需散热器，可实现自然对流和基于传感器的梯形控制。本设计使用配备有经优化的 MOSFET 和 PCB 的智能栅极驱动器来降低 MOSFET 开关损耗和 EMI。本设计展示了具备增强保护功能（包括借助 VDS 监控实现的 MOSFET 过流和击穿保护、栅极保护以及通过压摆率控制和过热保护实现的开关电压尖峰优化）的 MOSFET 在安全工作区域的运行。

### 资源

<a href="#">TIDA-010056</a>	设计文件夹
<a href="#">DRV8350R</a>	产品文件夹
<a href="#">CSD19536KTT</a>	产品文件夹
<a href="#">INA180</a>	产品文件夹
<a href="#">MSP430FR2355</a>	产品文件夹
<a href="#">TMP235</a>	产品文件夹
<a href="#">TPS709</a>	产品文件夹

### 特性

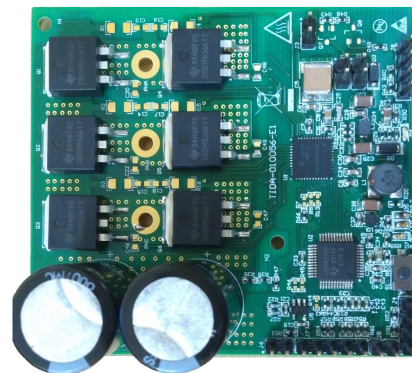
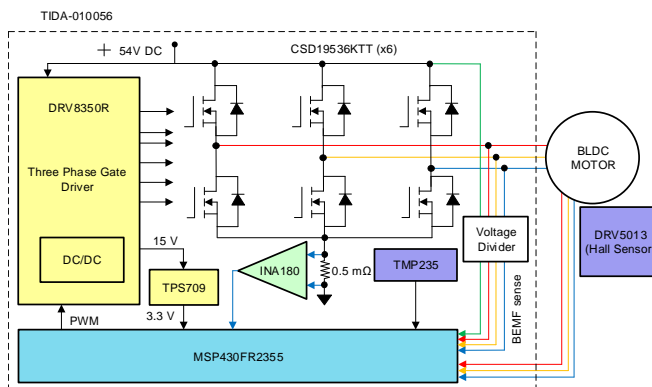
- 工作电压范围为 9V 至 63V（15 节锂离子电池），可输送 25A<sub>RMS</sub> 持续电流，峰值 400A
- 针对小型 70mm x 69mm PCB 提供 54V/1.5kW、25A<sub>RMS</sub> 支持，无需散热器
- 设计为支持带传感器和无传感器的梯形控制
- 以 54V/1.5kW 进行 20kHz 单极梯形控制时效率超过 99%
- 通过 VDS 检测实现 MOSFET 过流保护，响应时间小于 1μs，具有消除误跳闸的额外 4μs 抗尖峰脉冲时间
- 增强的 MOSFET 栅极保护，包括 VGS 欠压、过压、栅极至源级间的短路和开路保护
- 工作环境温度：-20°C 至 55°C

### 应用

- 无线电动工具
- 无线手持园艺工具
- 电动自行车
- 割草机



咨询我们的 E2E™ 专家



该 TI 参考设计末尾的重要声明表述了授权使用、知识产权问题和其他重要的免责声明和信息。

## 1 System Description

Power tools are used in various industrial and household applications such as drilling, grinding, cutting, polishing, driving fasteners, and so on. The most common types of power tools use electric motors while some use internal combustion engines, steam engines, or compressed air. Power tools can be either corded or cordless (battery powered). Corded power tools use the mains power (the grid power) to power up the AC or DC motors.

Cordless tools use battery power to drive DC motors. Most cordless tools use lithium-ion batteries, the most advanced in the industry offering high-energy density, low weight, and greater life. Power tools are available in different power levels and battery voltage levels. High power tools like chain saws, circular saws, high torque drills, garden tools, and lawn mowers often use up to 15-cell Li-ion pack battery to enable high power capability.

Cordless tools use brushed or brushless DC (BLDC) motors. The BLDC motors are more efficient and have less maintenance, low noise, and longer life. Power tools have requirements on form factor, efficiency, peak current, reliability, and thermal performance. Therefore, high-efficient power stages with a compact size are required to drive the power tool motor. The small form factor of the power stage enables flexible mounting, better PCB layout performance, and low-cost design. High efficiency provides maximum battery duration and reduces cooling efforts. The high-efficiency requirement in turn asks for switching devices with a low drain-to-source resistance ( $R_{DS\_ON}$ ). The power stage must also take care of protections like motor stall or any other chances of high current.

This design guide uses the CSD19536KTT NexFET™ featuring a very low  $R_{DS\_ON}$  of 2 m $\Omega$  in D2PAK package with an optimized gate charge and switching performance. The three-phase gate driver DRV8350R is used to drive the three-phase MOSFET bridge, which can operate from 9 to 100 V and support programmable gate current with maximum setting of 2-A sink / 1-A source. The DRV8350R uses smart gate drive (SGD) architecture to decrease the number of external components that are typically necessary for MOSFET slew rate control and protection circuits. The DRV8350R devices integrate a 350-mA buck regulator.

The INA180A3 integrated current sense amplifier is used to sense the low side DC bus current, at a gain of 100V/V with very low gain error. The TMP235 temperature sensor is used to sense the FET temperature. The MSP430FR2355 microcontroller is used to implement the control algorithm. The design has motor back emf sensing circuits and DC bus voltage sensing circuit for sensorless control using the smart analog combo of MSP430FR2355.

The test report evaluates the RMS current capability, peak current capability, efficiency and thermal performance of the board, FET switching waveforms, and over current protection

## 1.1 Key System Specifications

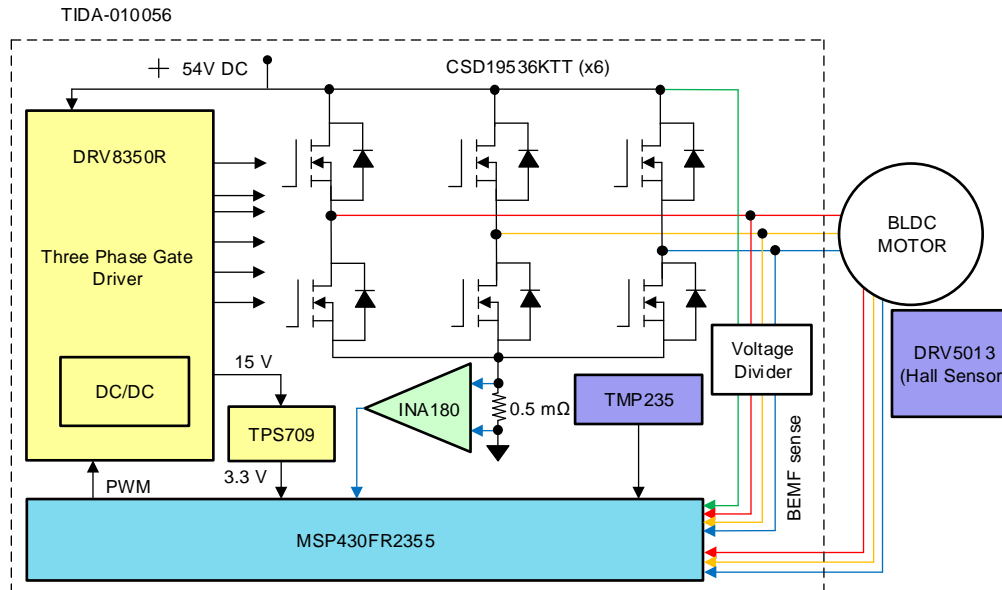
表 1. Key System Specifications

PARAMETER	SPECIFICATIONS
Input voltage	54-V typ ( 9-V min to 63-V max)
Rated output power	1.5-kW
RMS winding current	27-A (20-kHz switching)
Peak winding current	400-A
Inverter switching frequency	20-kHz (Tunable for 5-100kHz)
Operating ambient	-20 °C to 55°C
Efficiency	>99% at 54-V, 1.5-kW, 20-kHz unipolar trapezoidal PWM
Board specification	70mm x 69mm, 4-layer, 2-Oz copper
Feedback signals	DC bus voltage, Motor phase voltages, Motor position Hall sensors, Low side DC bus current
Protections	Cycle-by-cycle over current, input under-voltage, over temperature, MOSFET gate-source open circuit and short circuit
Cooling	Natural cooling only, no heat sink
Control method	Sensor-based & sensorless trapezoidal

## 2 System Overview

### 2.1 Block Diagram

图 1. TIDA-010056 Block Diagram



### 2.2 Design Considerations

This reference design implements a 54-V, 1.5-kW three-phase inverter with smart gate driver for cordless tools, lawn mowers and e-bikes. The design is done and tested up to 1.5kW with 54-V DC input by driving a BLDC motor at 20 kHz PWM cycle.

The reference design has the following sub-blocks.

- Three-phase power stage including gate drivers and FETs
- Motor Position sensor (three hall latches) interface for sensed trapezoidal control
- DC bus voltage sensing and all the three phase node voltage sensing circuit to implement sensorless trapezoidal control
- DC bus low side current sensing for torque control and software current limit by MCU
- Board power supply generation including 15 V and 3.3 V from the 54 V line
- MOSFET temperature sensing using on board temperature sensor
- Host controller to implement the necessary motor control algorithms, sensing and protections

For detailed design considerations and calculations refer [2.4 节](#)

### 2.3 Highlighted Products

#### 2.3.1 DRV8350R

The key requirements in selecting the gate driver are:

- Three-phase gate driver with a high level of integration to reduce the PCB form factor and hence PCB parasitics and cost
- Sufficient gate source and sink current to reduce the switching losses

- Sufficiently high gate drive voltage to enable the MOSFET conducts at the minimum  $R_{DS\_ON}$
- High level of overcurrent and other protections to enable a reliable system operation under worst case conditions like motor stall, short circuit, and so on

The 9- to 100-V three phase half bridge gate driver DRV8350R three-phase gate driver can be used to meet these requirements. The device provides three half-bridge drivers, each capable of driving one high-side and one low-side N-channel MOSFET. The DRV8350R generates the proper gate voltage drive for both the high-side and low-side FETs using a charge pump. The DRV8350R supports up to a 1-A source and 2-A sink peak gate drive current capability. The DRV835x uses smart gate drive (SGD) architecture to decrease the number of external components that are typically necessary for MOSFET slew rate control and protection circuits. The SGD architecture also optimizes dead time to prevent shoot-through conditions, provides flexibility in decreasing electromagnetic interference (EMI) by MOSFET slew rate control, and protects against gate short circuit conditions through VGS monitors. A strong gate pulldown circuit helps prevent unwanted  $dV/dt$  parasitic gate turn on events. The DRV8350 protects against external MOSFET over current and short circuit by sensing the drain to source voltage (VDS) of all the MOSFETs. The gate driver supports 100% duty cycle. The DRV8350R devices integrate a 350-mA buck regulator that can be used to power an external controller or other logic circuits. The buck regulator is implemented as a separate internal die that can use either the same or a different power supply from the gate driver.

### 2.3.2 CSD19536KTT

The key requirements in selecting the MOSFET include:

- High efficiency (MOSFET with low losses under operating conditions)
- Small size to reduce the solution form factor
- Better heat dissipation
- High peak current capability
- Better switching performance to ensure reliable operation under short circuit or worst case switching conditions

The design guide uses six CSD19536KTT MOSFETs to implement the three phase inverter meeting the said requirements. The MOSFET is rated up to 100-V, having a very low  $R_{DS\_ON}$  of 2-m $\Omega$  in a D2PAK (TO-263).

### 2.3.3 INA180

The design requirements in selecting the current sense amplifier are:

- The current sense amplifier (CSA) should be designed for high gain to reduce the shunt resistor value and hence the shunt resistor losses
- The CSA should have enough bandwidth and slew rate to enable fast output voltage settling for the designed gain. The design targets for less than 5- $\mu$ s full swing settling time for DC bus current sensing in BLDC trapezoidal control with 20kHz PWM frequency
- The CSA should have very low gain error, offset error and offset drift to ensure that the output error is low enough to get a torque control (current control) error less than 1%.
- The CSA circuit should take only small PCB area to help in PCB size reduction

This reference design uses the integrated current sense amplifier INA180A3 with a gain of 100 V/V with a bandwidth of 150 kHz. The device has a very low gain error less than  $\pm 1\%$ , offset voltage of  $< \pm 150 \mu$ V at  $V_{CM} = 0$  V and less than 1- $\mu$ V/ $^{\circ}$ C offset drift.

The INA180, INA2180, and INA4180 (INAx180) current sense amplifiers are designed for cost-optimized applications. These devices are part of a family of current-sense amplifiers (also called current-shunt monitors) that sense voltage drops across current-sense resistors at common-mode voltages from  $-0.2\text{ V}$  to  $+26\text{ V}$ , independent of the supply voltage. The INAx180 integrate a matched resistor gain network in four, fixed-gain device options:  $20\text{ V/V}$ ,  $50\text{ V/V}$ ,  $100\text{ V/V}$ , or  $200\text{ V/V}$ . This matched gain resistor network minimizes gain error and reduces the temperature drift. All these devices operate from a single  $2.7\text{-V}$  to  $5.5\text{-V}$  power supply. The INA180 is available in a 5-pin, SOT-23 package with two different pin configurations. All device options are specified over the extended operating temperature range of  $-40^{\circ}\text{C}$  to  $+125^{\circ}\text{C}$ .

### 2.3.4 TPS709

The key requirements in selecting the linear regulator are:

- Support wide input voltage to support  $15\text{V}$  to  $3.3\text{V}$  conversion.
- Average current support of more than  $50\text{mA}$ , thermal pad package for better heat dissipation.
- Ultra low  $I_q$  ( $1\mu\text{A}$ ) to enable the use in battery powered applications

The design uses the  $3.3\text{V}$  output linear regulator TPS70933, with a rated input voltage up to  $30\text{V}$ . The TPS709xx series of linear regulators are ultra-low, quiescent current devices designed for power-sensitive applications. A precision band-gap and error amplifier provides  $2\%$  accuracy over temperature. Quiescent current of only  $1\mu\text{A}$  makes these devices ideal solutions for battery-powered, always-on systems that require very little idle-state power dissipation. These devices have thermal-shutdown, current-limit, and reverse-current protections for added safety. These regulators can be put into shutdown mode by pulling the EN pin low. The shutdown current in this mode goes down to  $150\text{ nA}$ , typical. The TPS709xx series is available in WSON-6 and SOT-23-5 packages.

### 2.3.5 TMP235

The reference design uses TMP235A4 analog output low cost temperature sensor supporting wide temperature measurement range:  $-40^{\circ}\text{C}$  to  $+150^{\circ}\text{C}$  with a typical accuracy of  $\pm 1^{\circ}\text{C}$ . The TMP23x devices are a family of precision CMOS integrated-circuit linear analog temperature sensors with an output voltage proportional to temperature. These temperature sensors are more accurate than similar pin-compatible devices on the market, featuring typical accuracy from  $0^{\circ}\text{C}$  to  $+70^{\circ}\text{C}$  of  $\pm 0.5^{\circ}\text{C}$  and  $\pm 1^{\circ}\text{C}$ . The TMP235 device provides a positive slope output of  $10\text{ mV}/^{\circ}\text{C}$  over the full  $-40^{\circ}\text{C}$  to  $+150^{\circ}\text{C}$  temperature range and a supply range from  $2.3\text{ V}$  to  $5.5\text{ V}$ . The higher gain TMP236 sensor provides a positive slope output of  $19.5\text{ mV}/^{\circ}\text{C}$  from  $-10^{\circ}\text{C}$  to  $+125^{\circ}\text{C}$  and a supply range from  $3.1\text{ V}$  to  $5.5\text{ V}$ . The  $9\text{-}\mu\text{A}$  typical quiescent current and  $800\text{-}\mu\text{s}$  typical power-on time enable effective power-cycling architectures to minimize power consumption for battery-powered devices. A class-AB output driver provides a strong  $500\text{-}\mu\text{A}$  maximum output to drive capacitive loads up to  $1000\text{ pF}$  and is designed to directly interface to analog-to-digital converter sample and hold inputs. With excellent accuracy and a strong linear output driver, the TMP23x analog output temperature sensors are cost-effective alternatives to passive thermistors.

### 2.3.6 MSP430FR2355

MSP430FR215x and MSP430FR235x microcontrollers (MCUs) are part of the MSP430™ MCU value line portfolio of ultra-low-power low-cost devices for sensing and measurement applications. MSP430FR235x MCUs integrate four configurable signal-chain modules called smart analog combos, each of which can be used as a 12-bit DAC or a configurable programmable-gain Op-Amp to meet the specific needs of a system while reducing the BOM and PCB size. The device also includes a 12-bit SAR ADC and two

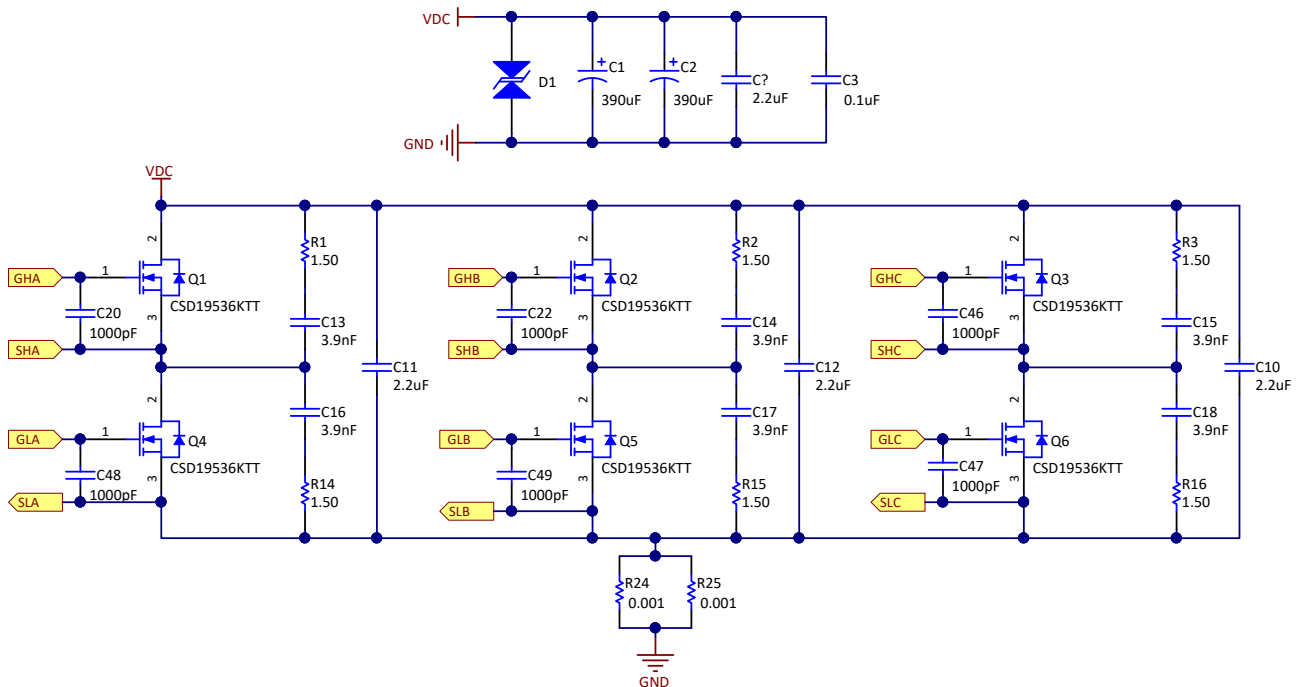
comparators. The MSP430FR215x and MSP430FR235x MCUs all support an extended temperature range from  $-40^{\circ}$  up to  $105^{\circ}\text{C}$ , so higher temperature industrial applications can benefit from the devices' FRAM data-logging capabilities. The extended temperature range allows developers to meet requirements of applications such as smoke detectors, sensor transmitters, and circuit breakers. The MSP430FR215x and MSP430FR235x MCUs feature a powerful 16-bit RISC CPU, 16-bit registers, and a constant generator that contribute to maximum code efficiency. The digitally controlled oscillator (DCO) allows the device to wake up from low-power modes to active mode typically in less than  $10\ \mu\text{s}$ . The MSP430 ultra-low-power (ULP) FRAM microcontroller platform combines uniquely embedded FRAM and a holistic ultra-low-power system architecture, allowing system designers to increase performance while lowering energy consumption. FRAM technology combines the low-energy fast writes, flexibility, and endurance of RAM with the nonvolatile behavior of flash.

## 2.4 System Design Theory

### 2.4.1 Power Stage Design: Three-Phase Inverter

The three-phase inverter is realized using six D2PAK MOSFETs CSD19536KTT as shown in 图 2. The MOSFET is rated for a maximum drain to source voltage of 100V and a peak current of 400A. The design has provision to use RC snubber across all the FETs. The design is tested with synchronous unipolar trapezoidal PWM as shown in 图 25. The voltage ringing is expected to be maximum across the FETs due to diode reverse recovery. With unipolar trapezoidal control we may not need snubber across all the FETs and the need depends on the current direction, PWM strategy and diode reverse recovery. For more details refer 节 3.2.2.6.

图 2. Schematic of Three-Phase MOSFET Inverter



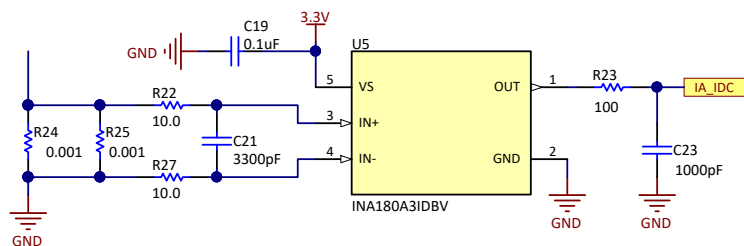
The snubber capacitor is selected as approximately two times the output capacitance of the FET. The snubber resistor value is tuned during board testing to sufficiently damp the VDS switching over shoot ringing during switching. C10, C11 and C12 are decoupling capacitors between the VDC input and the source terminal of bottom FET of each leg. This decoupling capacitor reduces the ringing in the supply lines caused due to the parasitic inductance added by the sense resistor and the power track. The design also have optional external capacitance between the gate to source of each FET, to reduce the gate pick up or gate ringing during switching. However this capacitors are not mounted during testing with the help from the smart gate drive architecture of DRV8350R.

注: Connect the RC snubber components very close to each FET in the same PCB layer as the FET, to ensure best snubbing action. Similarly place the decoupling capacitors very near to the corresponding MOSFET legs for better decoupling, ideally in the same layer. An improper layout or position of the snubber and decoupling capacitors can cause undesired VDS switching voltage spikes.

## 2.4.2 Current Sense Amplifier

The design uses the low side DC bus leg current sensing using the current sense amplifier INA180A3. 图 3 shows the current sense amplifier circuit.

图 3. Current Sense Amplifier Circuit



R24 and R25 in parallel forms the sense resistors. The power dissipation, amplifier gain bandwidth product (required settling time) and the input offset error voltage of the op amps are important in selecting the sense resistance values. The sense resistors are designed to carry a total nominal RMS current of 30 A with a peak current of 60 A for 2 seconds. A lower gain of the amplifier asks for high sense resistance value causing increased power loss in the resistors.

INA180 offers a very low offset voltage of  $\pm 150 \mu\text{V}$  (max) at  $V_{\text{CM}} = 0 \text{ V}$ . The gain error is  $\pm 1\%$  gain error (max) with  $1\text{-}\mu\text{V}/^\circ\text{C}$  offset drift (max). The low offset voltage, low gain error and low drift allow to design the current sense amplifier at very high gain (ex:  $100\text{V}/\text{V}$ ) with very minimum amplifier output steady state error. INA180A3 offers a bandwidth of  $150\text{kHz}$  at a gain of  $100\text{V}/\text{V}$ , along with a slew rate of  $2\text{V}/\mu\text{s}$  ensure that for a full swing step change in current through the sense resistor (during FET switching), the transient settling time of the current sense amplifier is less than  $5\mu\text{s}$ .

The high gain of  $100\text{V}/\text{V}$  with minimum output error helps to use a very low value sense resistor with low power loss. The design guide uses  $0.5\text{-m}\Omega$  sense resistor (two  $1\text{-m}\Omega$  in parallel) to enable unipolar current sense range of  $0 - 66\text{A}$  peak for a full swing voltage of  $3.3\text{V}$  using 公式 1.

With gain =  $100\text{V}/\text{V}$ ,  $R_{\text{SENSE}} = 0.5 \text{ m}\Omega$ ,  $V_{\text{SCALE}} = 3.3\text{V}$ ,  $I_{\text{SCALE}} = 66\text{A}$ .

$$V_{\text{OUT}} = I_{\text{SENSE}} \times R_{\text{SENSE}} \times A_{\text{GAIN}} \quad (1)$$

The power loss in the sense resistor can be calculated using 公式 2.

$$P_{\text{LOSS}} = I_{\text{SENSE,RMS}}^2 \times R_{\text{SENSE}} \quad (2)$$



At 30ARMS current,  $P_{\text{LOSS}} = 0.45 \text{ W}$

---

注: If faster settling time is required, INA180A2 can be used (with a bandwidth of 210kHz, and slew rate of 2V/us) having a gain of 50V/V. With INA180A2, increase the sense resistor value to utilize the available full swing voltage capability of INA180A2 and the ADC.

The input filter resistors R22 and R27 can create a small gain error in the amplifier circuit as these resistors add to the input resistance of amplifier. The gain error has to be taken in to account while selecting the filter resistor values.

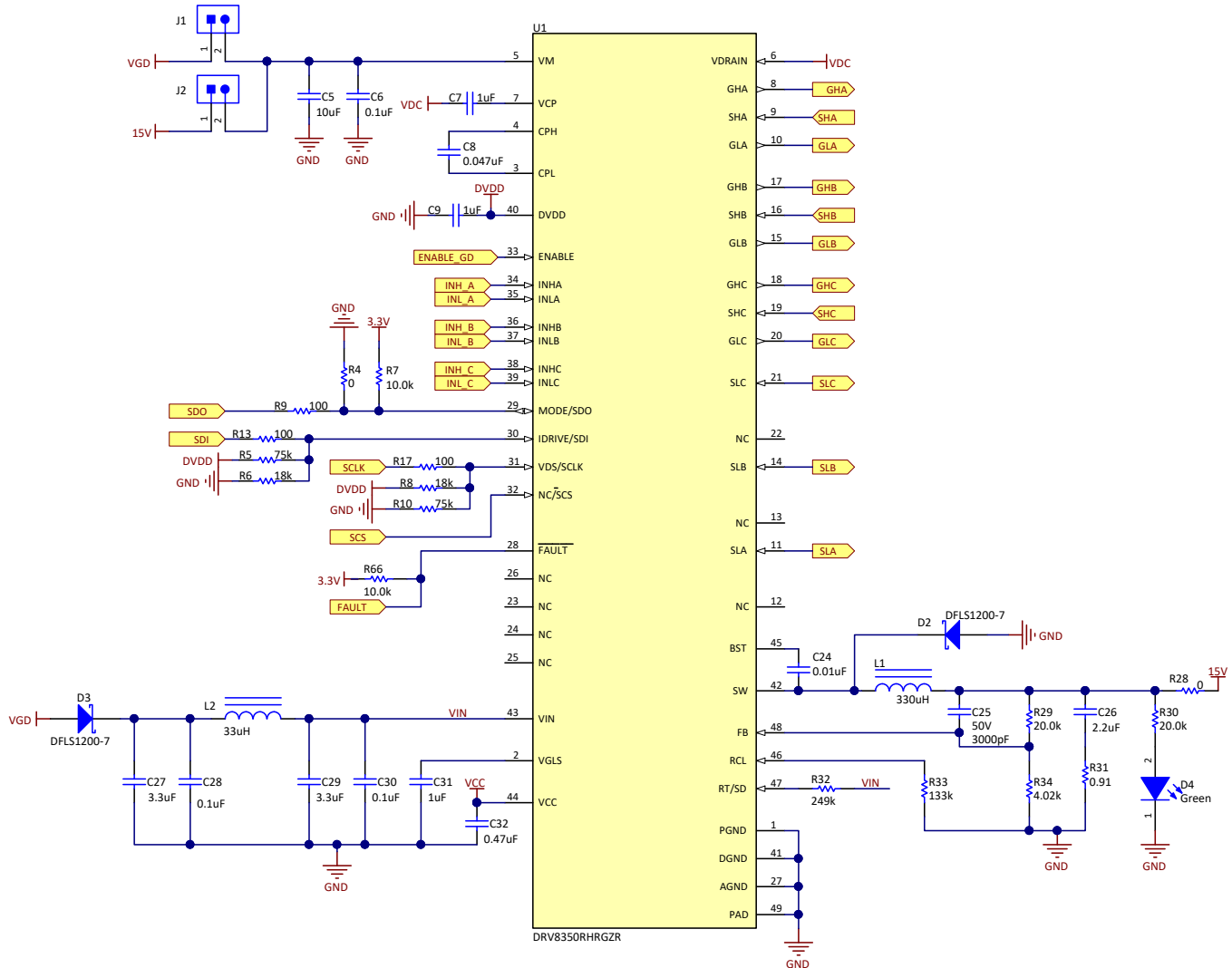
---

### 2.4.3 Power Stage Design: DRV8350R Gate Driver

图 4 shows the schematic of the DRV8350R gate driver circuit. C5 and C6 are the ceramic capacitors at the gate driver power supply input, as recommended by the data sheet. The DRV835x gate drivers can operate in either a single or dual supply architecture. In the single supply architecture, VM can be tied to VDRAIN and is regulated to the correct supply voltages internally. In the dual supply architecture, VM can be connected to a lower voltage supply from a more efficient switching regulator to improve the device efficiency. VDRAIN stays connected to the external MOSFETs to set the correct charge pump and overcurrent monitor reference. This design guide uses the dual supply architecture, where the VM supply of DRV8350R is powered from 15V generated by the integrated DC/DC converter (LM5008A) of DRV8350R. Any one of the jumpers J1 or J2 can be closed externally to select the gate driver power supply. The maximum allowed gate power supply voltage is 80V. The design is tested with 15V as the gate driver power supply, which will ensure that the quiescent current consumption is minimum compared to powering up the VM pin with DC input (specified for a maximum of 63V).

The capacitors C7, C8, C9 and C31 are the recommended capacitors at the charge pump pins, DVDD and VGLS pins.

图 4. Schematic of DRV8350R Gate Driver Circuit



### 2.4.3.1 Average gate current calculation

The average current from the high side pump charge pump (VCP) and the low side gate drive regulator power supply (VGLS) can be calculated using 公式 3, applicable for 120 degree conduction trapezoidal control.

$$I_{VCP/VGLS} = Q_G \times f_{PWM} \tag{3}$$

Where,  $Q_G = 118 \text{ nC}$  (Total gate charge of the MOSFET used (CSD19536KTT) )

$f_{PWM} = 20\text{kHz}$  (switching frequency),  $I_{VCP}/V_{GLS} > 118 \text{ nC} \times 20 \text{ kHz} = 2.36\text{mA}$

The charge pump and VGLS regulator power supply average current is well below the data sheet specified value of 25mA at a  $V_{VM}$  of 15V. If using 100 kHz PWM, the average current is 11.8 mA.

### 2.4.3.2 Gate driver peak source and sink current calculation

IDRIVE needs to be tuned in the application based on the required VDS slew rate. The MOSFET CSD19536KTT has a gate to drain gate charge ( $Q_{GD}$ ) of 17 nC. The peak gate source current (IDRIVEP) to get a rise time  $t_{rr}$ , can be calculated as  $IDRIVEP > Q_{GD}/t_{rr}$ . To get a rise time of 50ns to 200ns, the IDRIVEP has to be selected to be between 340mA and 85 mA. The gate drive sink current IDRIVEN for the required MOSFET switching fall time can be calculated in a similar way.

### 2.4.3.3 Selecting the current limit threshold using VDS protection

The VDS monitors are configured based on the worst-case motor current and the  $R_{DS\_ON}$  of the external MOSFETs as shown in 公式 4.

$$V_{DS\_OCP} > I_{max} \times R_{DS\_ON(max)} \quad (4)$$

As per the CSD19535KTT data sheet, the  $R_{DS\_ON}$  value is approximately 1.6 times higher at 120°C compared to that at 25°C, and the maximum  $R_{DS\_ON}$  value at a VGS of 10 V is 2.4 mΩ at  $T_A = 25^\circ\text{C}$ . From these values, the approximate worst-case value of  $R_{DS\_ON}$  is  $1.6 \times 2.4 \text{ m}\Omega = 3.84 \text{ m}\Omega$ . In order to get an over current threshold of 100A, the required VDS monitor trip point can be calculated using 公式 4.  $V_{DS\_OCP} > 100 \text{ A} \times 3.84 \text{ m}\Omega = 0.384 \text{ V}$ .

The design guide provides provision for selecting different VDS monitor trip values.

### 2.4.3.4 DRV8350 Power Loss Calculation

The internal power dissipation of DRV8350 has four primary components:

- VCP Charge pump power dissipation ( $P_{VCP}$ )
- VGLS low-side regulator power dissipation ( $P_{VGLS}$ )
- VM device nominal power dissipation ( $P_{VM}$ )
- VIN buck regulator power dissipation ( $P_{BUCK}$ )

The value of  $P_{VCP}$  and  $P_{VGLS}$  can be approximated calculated by first calculating the  $I_{VCP}$  and  $I_{VGLS}$  required for the external MOSFET and then using 公式 5 and 公式 6.

$$P_{VCP} = I_{VCP} \times (V_{VM} + V_{VDRAIN}) \quad (5)$$

$$P_{VGLS} = I_{VGLS} \times V_{VM} \quad (6)$$

The value of  $P_{VM}$  can be calculated by referring to the data sheet parameter for  $I_{VM}$  current and 公式 7.

$$P_{VM} = I_{VM} \times V_{VM} \quad (7)$$

The value of  $P_{BUCK}$  can be calculated with the buck output voltage ( $V_{VCC}$ ), buck output current ( $I_{VCC}$ ), and by referring to the typical characteristic curve for efficiency ( $\eta$ ) in the LM5008A data sheet using 公式 8.

$$P_{BUCK} = (P_O / \eta) - P_O \quad (8)$$

The total power dissipation is then calculated by summing the four components as shown in 公式 9.

$$P_{tot} = P_{VCP} + P_{VGLS} + P_{VM} + P_{BUCK} \quad (9)$$

Use 公式 5, 公式 6, 公式 7, 公式 8, and 公式 9 to calculate the value of  $P_{tot}$  for  $V_{VM} = 15\text{V}$ ,  $V_{VDRAIN} = 54 \text{ V}$ ,  $I_{VM} = 9.5 \text{ mA}$ ,  $I_{VCP} = 2.36 \text{ mA}$ ,  $I_{VGLS} = 2.36 \text{ mA}$ ,  $V_{VCC} = 15 \text{ V}$ ,  $I_{VCC} = 100 \text{ mA}$ , and  $\eta = 86 \%$ .

$$P_{VCP} = 162.84 \text{ mW}, P_{VGLS} = 35.4\text{mW}, P_{VM} = 142.5 \text{ mW}, P_{BUCK} = 210\text{mW}$$

$$P_{tot} = 550.74 \text{ mW}$$

The device junction temperature can be estimated by referring to the Thermal Information and 公式 10.

$$T_{Jmax} = T_{Amax} + (R_{\theta JA} \times P_{tot}) \quad (10)$$

$T_{Amax}$  is the maximum ambient temperature,  $R_{\theta JA}$  is the junction to ambient thermal resistance of the DRV8350R package. Use 公式 10 to calculate the value of  $T_{Jmax}$  for  $T_{Amax} = 55^{\circ}\text{C}$ ,  $R_{\theta JA} = 26.6^{\circ}\text{C/W}$  for the RGZ package, and  $P_{tot} = 0.551 \text{ W}$

$$T_{Jmax} = 55 + (26.6 \times 0.551) = 69.65^{\circ}\text{C}$$

#### 2.4.3.5 Step-Down Buck Regulator of DRV8350

The DRV8350R have an integrated buck regulator (LM5008A) to supply power for an external controller or system voltage rail. This design uses the integrated buck regulator to generate 15 V from battery input supply. The diode D3 ensures that the battery voltage dips during load transients will not affect the performance of the integrated DC/DC converter of DRV8350R. The LM5008A regulator is an easy-to-use buck (step-down) DC-DC regulator that operates from 6-V to 95-V supply voltage. With integrated buck power MOSFET, the LM5008A delivers up to 350-mA DC load current with exceptional efficiency and low input quiescent current in a very small solution size. The DC/DC incorporates other features for comprehensive system requirements, including VCC undervoltage lockout (UVLO), gate drive undervoltage lockout, maximum duty cycle limiter, intelligent current limit off-timer, a pre-charge switch, and thermal shutdown with automatic recovery.

表 2 shows the design specification of the DC/DC for this design guide.

表 2. Specification of Buck Converter

CONDUCTION MODE	FIXED FREQUENCY PWM CONTROL
Output Voltage	15 V
Input Voltage	6 - 72 V
Transient Response 50 to 150mA load step	$\Delta\text{VOUT} = 4\%$
Maximum Output Current	150 mA
Output Voltage Ripple	0.5% of VOUT
Switching Frequency	500kHz

The LM5008A operates in discontinuous conduction mode at light load currents, and continuous conduction mode at heavy load current. At light loads, the conversion efficiency is kept because the switching losses decrease with the reduction in load and frequency. The discontinuous operating frequency can be calculated with 公式 11.

$$F = \left( \frac{V_{OUT}^2 \times L \times 1.04 \times 10^{20}}{R_L \times (R_T)^2} \right) \quad (11)$$

where,  $R_L$  = the load resistance

In continuous conduction mode, current flows continuously through the inductor and never ramps down to zero. The approximate continuous mode operating frequency can be calculated with 公式 12.

$$F = \left( \frac{V_{OUT}}{1.385 \times 10^{-10} \times R_T} \right) \quad (12)$$

The output voltage ( $V_{OUT}$ ) is programmed by two external resistors ( R29 and R34 shown in 图 4). The regulation point can be calculated with 公式 13.

$$V_{OUT} = 2.5 \times (R_{FB1} + R_{FB2}) / R_{FB1} \tag{13}$$

The on-time for the LM5008A is determined by the RT resistor and is inversely proportional to the input voltage ( $V_{IN}$ ), resulting in an almost constant frequency as  $V_{IN}$  is varied over its range. The on-time for the LM5008A is calculated with 公式 14.

$$T_{ON} = 1.385 \times 10^{-10} \times R_T / V_{IN} \tag{14}$$

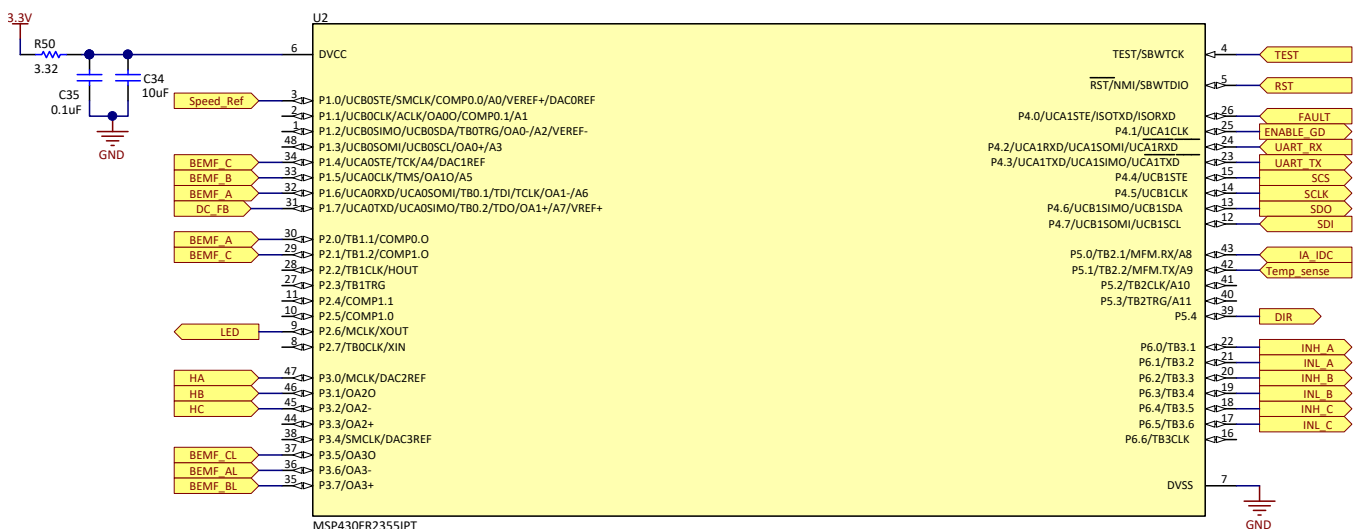
RT must be selected for a minimum on-time (at maximum  $V_{IN}$ ) greater than 400 ns, for correct current limit operation. This requirement limits the maximum frequency for each application, depending on  $V_{IN}$  and  $V_{OUT}$ . The LM5008A has an intelligent current limit OFF timer. If the current in the Buck switch exceeds 0.51 A the present cycle is immediately terminated and a non-resettable OFF timer is initiated. The length of off-time is controlled by an external resistor (RCL) and the FB voltage. When  $FB = 0 V$ , a maximum off-time is required, and the time is preset to 35  $\mu s$ . This condition occurs when the output is shorted and during the initial part of start-up. This amount of time makes sure that safe short-circuit operation occurs up to the maximum input voltage of 95 V. In cases of overload where the FB voltage is above zero volts (not a short circuit), the current limit off-time is less than 35  $\mu s$ . Reducing the off-time during less severe overloads decreases the amount of foldback, recovery time, and the start-up time.

### 2.4.4 Power Stage Design – Microcontroller MSP430

图 5 shows the schematic for configuring the MSP430FR2355 MCU. The resistor R50 is used to limit the dV/dt at the supply pin of the MSP430FR2355. The design guide uses 10- $\mu F$  decoupling capacitors. A 0.1- $\mu F$  capacitor has been added to obtain the best performance at a high frequency. The Timer B of the MCU is used for PWM generation.

图 5 shows all of the feedback signal voltages including the DC bus voltage, current sense amplifier output, potentiometer voltage for speed control, and temperature sensor output interfaced to the 10-bit successive approximation (SAR) ADC channels of the MCU. The phase node voltages of A, B and C phases are measured to implement the sensorless control algorithm.

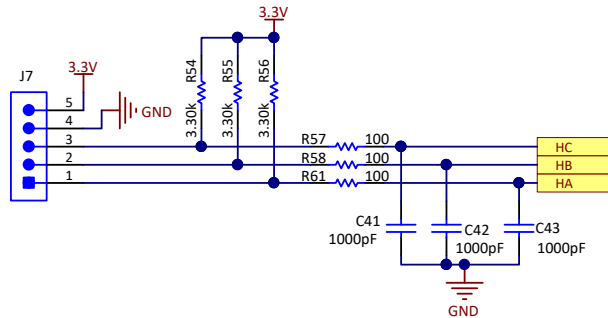
图 5. MSP430FR2355 Schematic



### 2.4.5 Power Stage Design – Hall Sensor Interface

图 6 shows the Hall sensor interface from the motor to the board. The 3.3 V is used as the power supply for the Hall sensor. Usually, the Hall sensors have an open drain or open collector configuration. R54, R55, and R56 are used as the pull-up resistors. R57, R58, and R61, along with C41, C42, and C43, form noise filters at the Hall sensor signal.

图 6. Schematic of Hall Sensor Interface

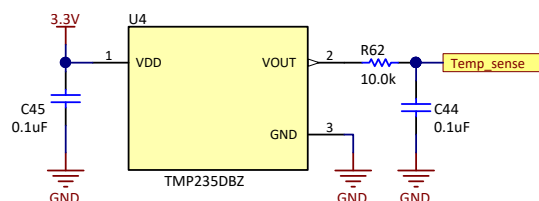


注: The Hall sensor connection should match with the motor winding connection for proper operation of the BLDC motor for sensor based trapezoidal control.

### 2.4.6 Temperature Sensing

图 7 shows the schematic of temperature sensor circuit. The temperature sensor is placed close to the MOSFET. The thermal gradient across the board need to be considered while calibrating the temperature measurement for all the MOSFETs. The design uses the analog output temperature sensor TMP235A4, supporting wide temperature measurement range:  $-40^{\circ}\text{C}$  to  $+150^{\circ}\text{C}$  with a typical accuracy of  $\pm 1^{\circ}\text{C}$ .

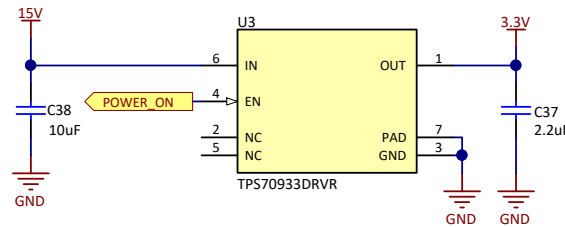
图 7. Schematic of Temperature Sensor



### 2.4.7 LDO Circuit to Generate 3.3V Supply

图 8 shows the regulator circuit to generate the 3.3V from the 15V input. The reference design uses the ultra-low quiescent current, linear regulator TPS709 to generate the 3.3-V power supply from the input voltage of 15 V. The selection of regulator depends on the wide input voltage support (in this design up to 15V), the load current, and power dissipation. Power dissipation ( $P_{diss}$ ) is equal to the product of the output current and the voltage drop across the output pass element. Assuming a nominal load current of 30 mA, the power dissipation at  $V_{IN} = 15\text{ V}$  can be calculated as:  $P_{diss} = (15 - 3.3) \times 0.03 = 0.351\text{ W}$ . The design uses the thermal pad of the TPS709 package to dissipate heat to the PCB. The POWER\_ON signal is an external signal to keep the regulator in sleep mode when the drive is not in use.

图 8. Voltage Regulator Circuit to Generate the 3.3V Supply



### 2.4.8 Back EMF and VDC Input Voltage Sensing Circuit

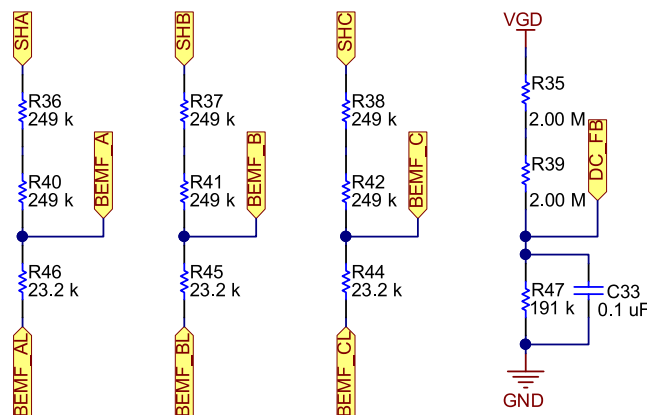
The input supply voltage VDC is scaled using the resistive divider network, which consists of R35, R39, R47, and C33, and fed to the MCU as shown in 图 9. The resistance values are selected high enough to reduce the current consumption. Considering the maximum voltage for the MCU ADC input as 3.3 V, the maximum DC input voltage measurable by the MCU is calculated as in 公式 15.

$$V_{DC}^{max} = V_{ADC\_DC}^{max} \times \frac{(191\text{ k}\Omega + 4000\text{ k}\Omega)}{191\text{ k}\Omega} = 3.3 \times \frac{(191\text{ k}\Omega + 4000\text{ k}\Omega)}{191\text{ k}\Omega} = 72.4\text{ V} \quad (15)$$

Considering a 10% headroom for this value, the maximum recommended voltage input to the system is  $72.4 \times 0.9 = 65.16$ . For a power stage with maximum operating voltage of 63 V, this voltage feedback resistor divider is ideal. Also, this choice gives optimal ADC resolution for a system operating from 15 to 63 V.

The phase node voltages SHA, SHB and SHC are scaled using similar resistive divider network as the VDC sensing. The scaling circuit is shown in 图 9. The scaling factor is the same as the VDC sensing divider circuit to use the full ADC voltage range. The divider circuit uses lower resistance to make sure that the total RC delay due to the ADC sampling capacitor through the resistive divider is less than 10-μs.

图 9. Back EMF Sensing Voltage Divider Circuit



## 3 Hardware, Software, Testing Requirements, and Test Results

### 3.1 Required Hardware and Software

#### 3.1.1 Hardware

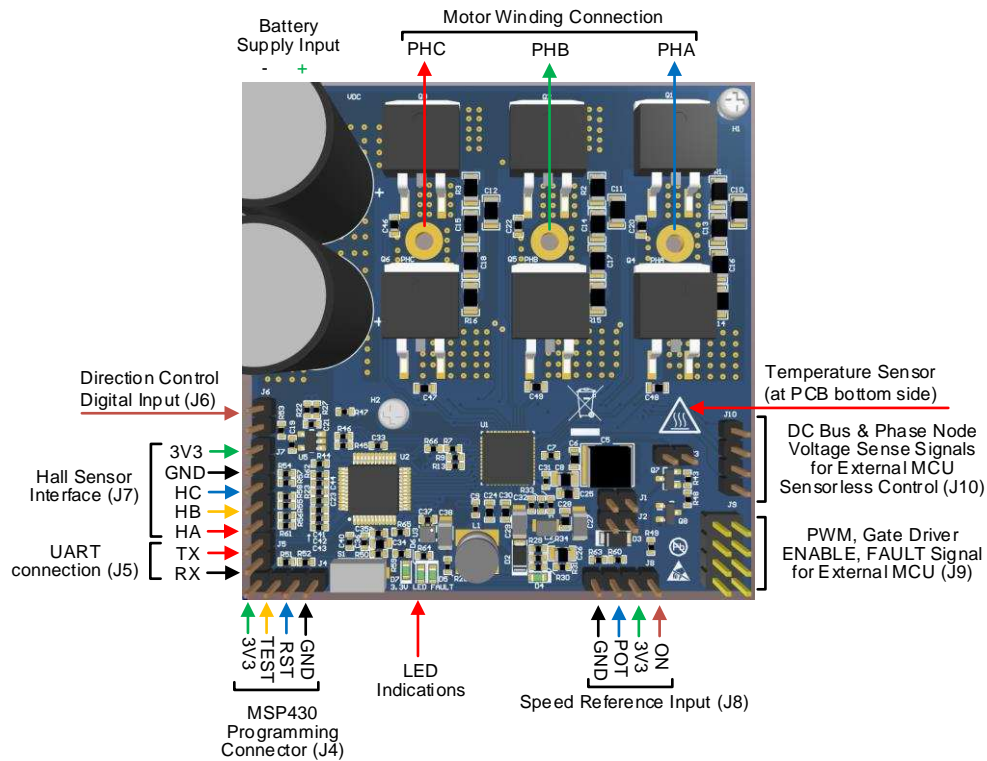
##### 3.1.1.1 Connector Configuration of TIDA-010056

图 10 shows the connector configuration of the reference design board, which features the following:

- Two-terminal input for power supply: This pin is used to connect the input DC supply from the battery. The positive and negative terminals can be identified as shown in 图 10.
- Three-terminal output for motor winding connection: The phase output connections for connecting to the three-phase BLDC motor winding, marked as PHA, PHB, PHC.
- 4-pin connector J8: This connector can be used to interface an external potentiometer for speed reference. The two fixed terminals of the potentiometer should be connected to 3V3 pin and GND pin. The mid-point of the potentiometer must be connected to the POT pin of the connector. The pin marked POWER\_ON (ON) is an external two state signal of 0V (low) or 3.3 V (high) to control the on/off of the complete power stage. If the POWER\_ON signal is low, then the complete power stage goes to sleep mode with sleep current less than 40  $\mu$ s.
- 2-pin connector J6: This connector is used for the motor direction change. Externally shorting or opening this connector changes the direction of rotation of the motor.
- 4-pin connector J4: This is the programming connector for the MSP430FR2355 MCU.
- 5-pin connector J5: This is the interface for connecting the Hall position sensors from the motor.
- 2-pin connector J5: This connector is used for external UART communication interface. The RX and TX pins are available enabling the communication with external Bluetooth® low energy or Wi-Fi® module or for communication to the battery pack.
- Two pin jumpers J1 and J2: Close the jumper J1 or J2 to select between single supply mode or dual supply mode for DRV8350R. Close the jumper J2 to connect 15V to the DRV8350R VM supply to enable dual supply mode. Close the jumper J1 to connect VDC input supply to the DRV8350R VM supply to enable single supply mode. This design is tested and validated using dual supply mode.
- J9 and J10: The multi-pin connectors with all the six PWM signals, gate driver ENABLE, gate driver FAULT, DC bus and phase voltage sensing signals, to enable control from an external MCU if required.



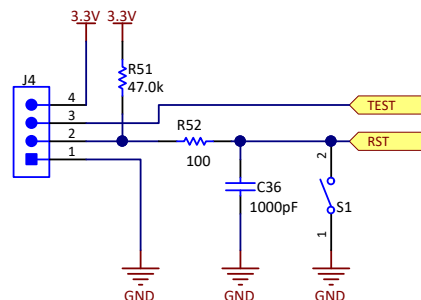
图 10. TIDA-010056 Board Connectors



### 3.1.1.2 Programming the MSP430

The two-wire Spy-Bi-Wire protocol is used to program the MSP430FR2355 MCU. 图 11 shows the four pin programming connector provided in the design board.

图 11. Schematic of MSP430FR2355 Programming Connector



See the [MSP430FR2355 development tools](#) for programming options with an external JTAG interface.

Use the following steps to program the MSP430FR2355 MCU when the programming supply voltage is provided by the board itself:

- Remove the motor connections from the board, and power on the input DC supply. Make sure that a minimum of 15-V DC input is applied and 3.3 V is generated in the board.
- Connect the programmer to the board.
- Open the CCS software, and then build and debug the code to program the MCU.

### 3.1.1.3 Procedure for Board Bring-up and Testing

Follow this procedure for board bring-up and testing:

- Remove the motor connections from the board, and power on the input DC supply. Make sure that a minimum of a 15-V DC input is applied and the 3.3 V is generated in the board.
- Program the MCU as detailed in [节 3.1.1.2](#).
- Remove the programmer, and switch off the DC input supply.
- Connect the inverter output to the motor winding terminals. Connect the position Hall sensor inputs, and make sure that the winding connection and Hall sensor connections match.
- Connect the POT at the interface J8 and set the speed reference.
- Use a DC power supply with current limit protection and apply 15-V DC to the board. If the Hall sensors and winding are connected properly in the matching sequence, then the motor starts running at a speed set by the POT.
- If the motor is not rotating and takes high current, or rotates and draws a distorted peak winding current waveform, then check the winding and Hall sensor connection matching and, if wrong, correct the connection sequence to match.
- Adjust the POT voltage for change in speed.
- To change direction, switch off the DC input, close the jumper J6, and switch on the DC input.

### 3.1.2 Software

The firmware of this design guide offers the following features and user controllable parameters:

- Trapezoidal control of BLDC motor using digital position Hall sensor feedback
- Option for sensorless trapezoidal control by back EMF sensing.
- Option to use DRV8350RS, the SPI version of three phase gate driver.
- Overcurrent cycle-by-cycle protection and latch protection using the VDS sensing feature of the DRV8350R

The firmware system components of this design are listed in [表 3](#).

**表 3. TIDA-010056 Firmware System Components**

SYSTEM COMPONENT	DESCRIPTION
Development and emulation	Code Composer Studio v8.3.0
Target controller	MSP430FR2355
PWM frequency	20-KHz PWM (default), programmable for higher and lower frequencies
PWM mode	Asymmetrical
Interrupts	Port 3 Interrupt for hall sensor change. CPU Timer D – Implements 20-KHz ISR execution rate. ADC interrupt
PWM Generation: Timer Configuration	TIMER: TB3.1 –TB.6, Clock = 25 MHz, PWM frequency set for 20 kHz
Position Feedback -Hall sensor Signals	P3.0 → HA P3.1 → HB P3.2 → HC

**表 3. TIDA-010056 Firmware System Components (continued)**

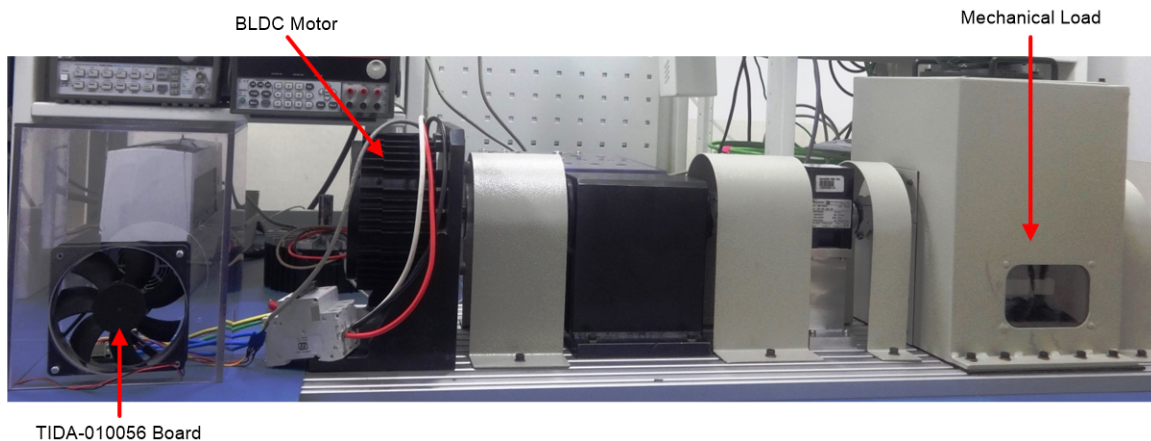
SYSTEM COMPONENT	DESCRIPTION
ADC channel assignment	A0 → Speed reference from the external potentiometer/trigger A6 → Phase A back EMF sensing for sensorless A5 → Phase B back EMF sensing for sensorless A4 → Phase C back EMF sensing for sensorless A7 → DC bus voltage sensing A8 → Low-side DC bus current sensing A9 → PCB or FET temperature feedback
Comparator configuration for back EMF zero crossing detection	COMP0.O (P2.0) – Phase A back EMF zero cross comparator COMP1.O(P2.1) – Phase C back EMF zero cross comparator OA1O (P1.5) - Phase C back EMF zero cross comparator. The opamp of smart compo module is configured as a comparator
DRV8350RS - SPI programming pins connection	P4.4 → SCS P4.5 → SCLK P4.6 → SDO P4.7 → SDI
UART communication	P4.2 → UART RX pin P4.3 → UART TX pin
MCU Digital Inputs/Output	P5.4 → Direction of motor rotation P4.1 → ENABLE connection for DRV8350R P4.0 → FAULT pin connection from DRV8350R P2.6 → LED output

## 3.2 Testing and Results

### 3.2.1 Test Setup

图 12 显示了用于测试电机的负载设置。该负载是一种电动力学型负载，通过它可以控制施加到电机的负载转矩。

图 12. Board and Motor Test Setup



### 3.2.2 Test Results

#### 3.2.2.1 DRV8350R DC/DC Regulator Performance

The internal DC/DC regulator of the DRV8350R is configured to generate 15 V output. The 15 V powers the VM pin of DRV8350R and the input of the 3.3 V regulator. The 15V DC/DC regulator output is specified to deliver 50mA average nominal current with less than 1% voltage ripple. 图 13 显示了 15 V 输出的峰峰值纹波，当 15 V 为 DRV8350R 的 VM 线以及 3.3 V 调节器输入（15 V 线上的平均负载为 50mA）供电时。峰峰值纹波小于 20 mV。

图 13. Voltage Ripple on the 15 V Output of DRV8350R at an average 50mA load current

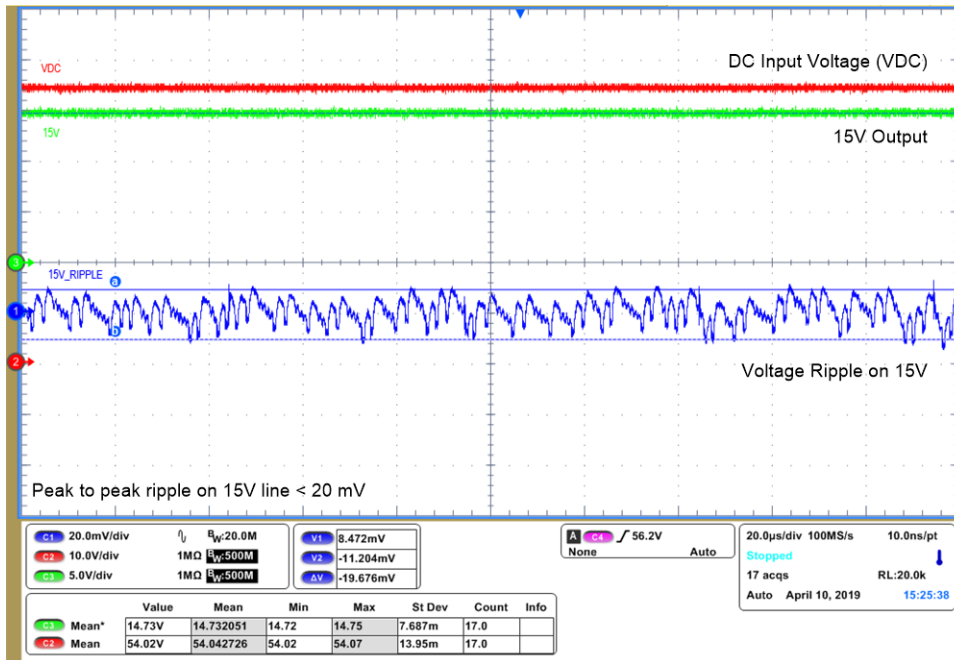
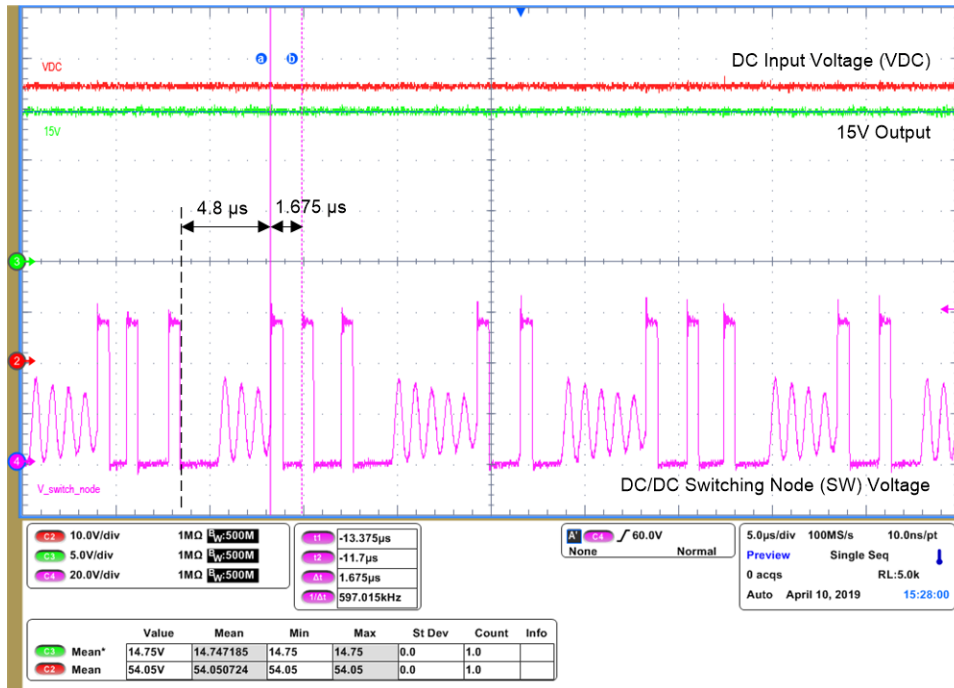


图 14 shows the voltage at the switching node of the DC/DC buck converter (SW pin of DRV8350R)

图 14. Switching Node Voltage of the DC/DC Converter of DRV8350R



The DC/DC regulator operates in discontinuous conduction mode (DCM) at light load currents, and continuous conduction mode (CCM) at heavy load current. 图 14 shows that the DC/DC operate between DCM and CCM, due to the load variation at DRV8350R VM pin. The maximum switching frequency observed during the CCM is approximately 600 kHz and the minimum switching frequency observed during DCM is approximately 200 kHz.

### 3.2.2.2 TPS70933 Linear Regulator Performance

The TPS70933 takes 15 V input voltage and generates 3.3 V and is designed to deliver an average current of 30mA. The EN pin of TPS70933 can be controlled from an external signal to reduce the power consumption. 图 15 shows the voltage ripple on the 3.3 V line at a load current of 20mA. The ripple is less than 10mV, and is assumed to be enough for the MCU ADC pin voltage reference for back EMF sensing and current sensing.

图 15. Voltage Ripple on the 3.3 V Output of TPS70933 at an Average 20mA Load Current

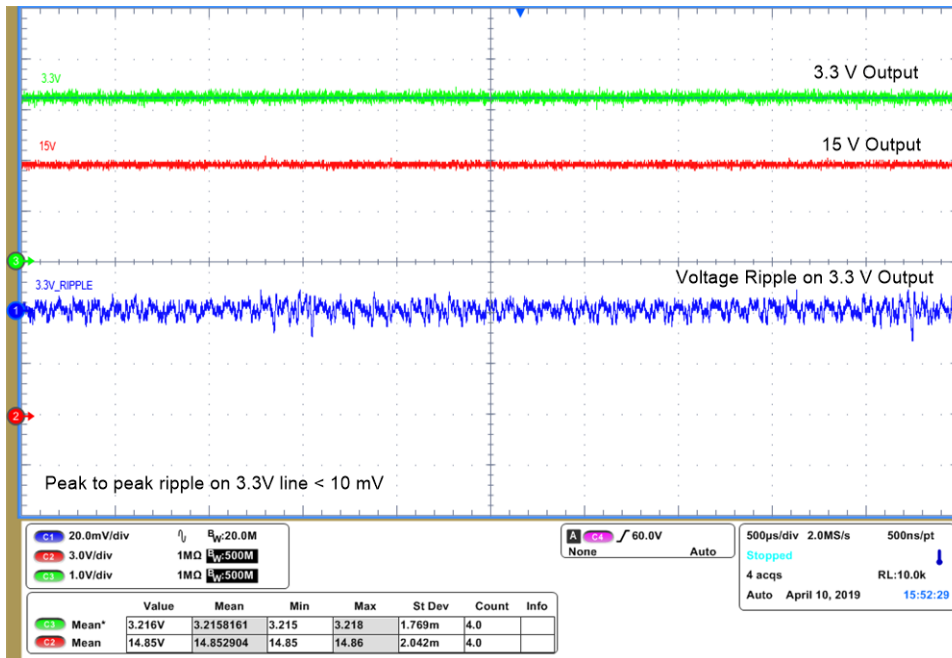
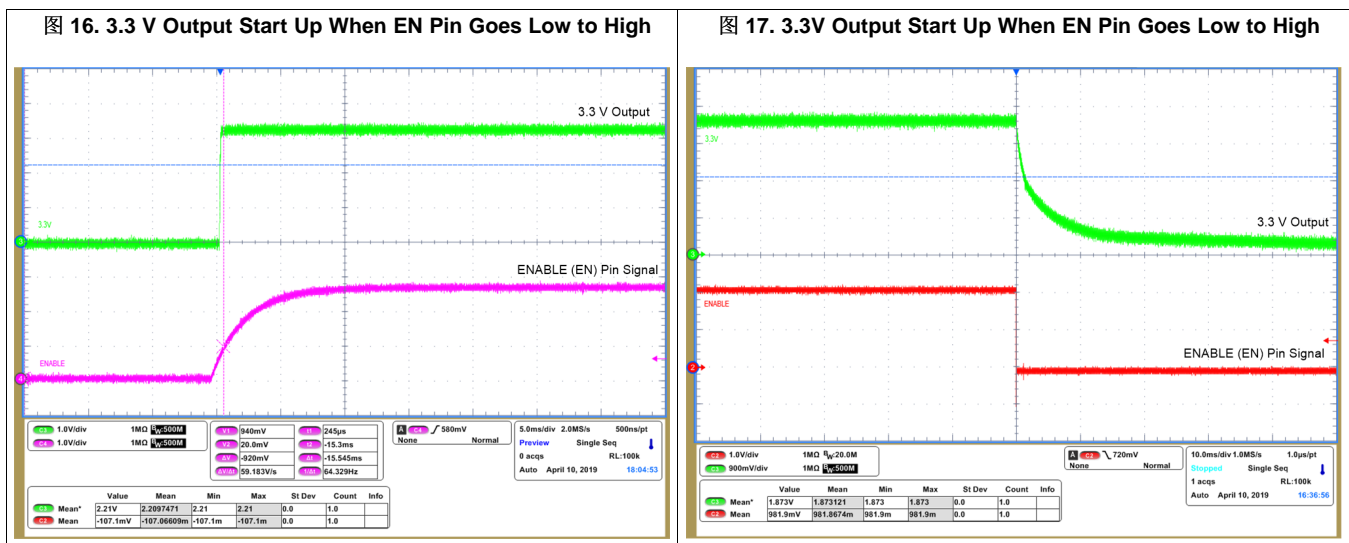
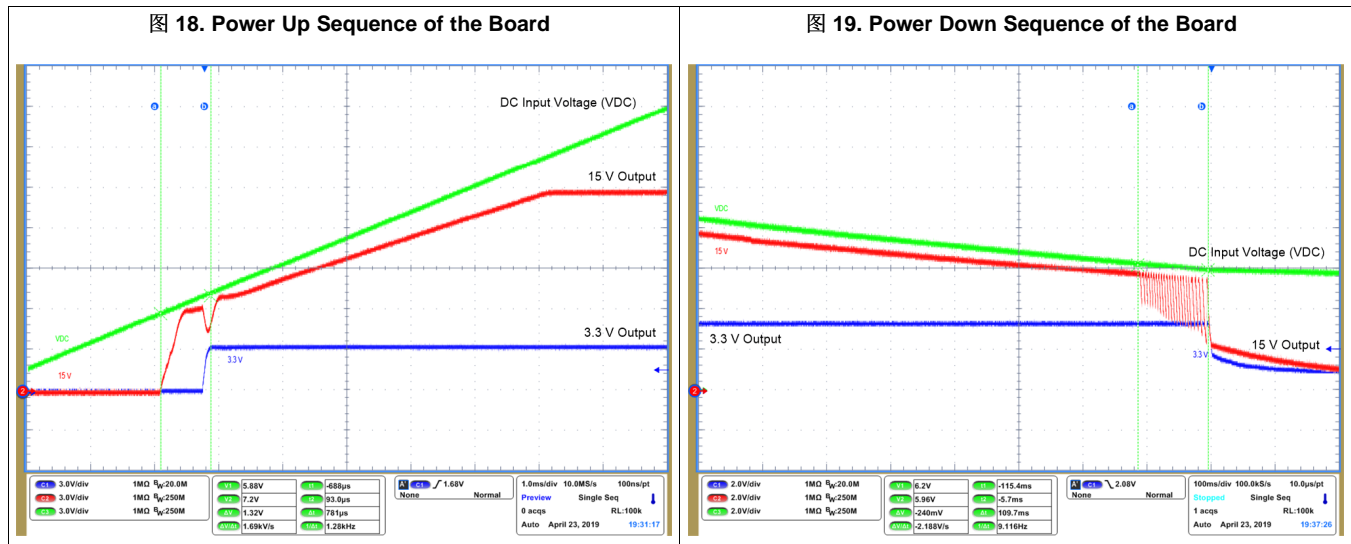


图 16 and 图 17 shows the start up and shut off of the 3.3 V output, when the TPS70933 regulator EN pin is controlled through external signal "POWER\_ON."



### 3.2.2.3 Board Power Up and Power Down Sequence

图 18 显示了系统的电源上电序列。DRV8350R 开始生成 15V 调节器输出，当 VIN 高于大约 6V 时。随着 15V 输出达到大约 6V，3.3V 开始发展。图 19 显示了电源下电序列。DRV8350R DC/DC 开始在下电时，大约 6V VIN 供电，随后是 3.3V 电源下电。



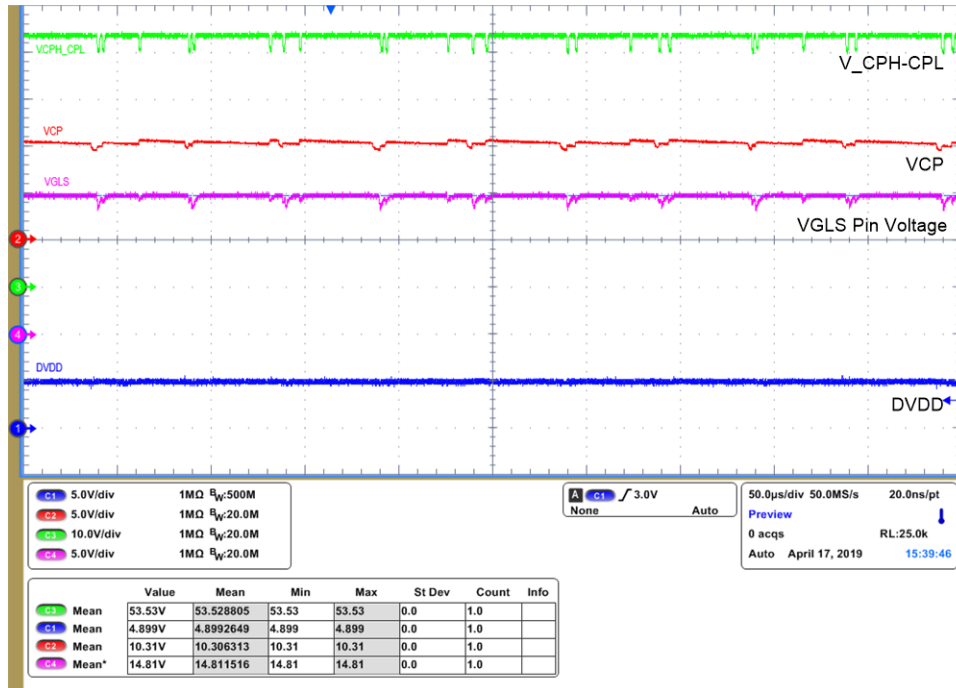
### 3.2.2.4 Functional Evaluation of DRV8350R Gate Driver

The high-side gate drive supply voltage is generated using a double charge-pump architecture that regulates the VCP output to VVDRAIN + 10.5-V. The low side gate drive supply voltage is generated using a linear regulator from the VM power supply that regulates the VGLS output to 14.5-V. The VGLS supply is further regulated to 11-V on the GLx low-side gate driver outputs. DRV8350 provides a linear regulator output of 5V at DVDD pin with a source capability of 10 mA to external loads. 图 20 显示了 DRV8350R 生成的内部电源电压。平均电压值在表 4 中列出。

表 4. Internal Regulator Voltages of DRV8350R

INTERNAL REGULATOR NAME	AVERAGE VOLTAGE (V)
VGLS (Internal low side gate driver regulator output)	14.81
VCP (Charge pump output)	10.31
DVDD (5-V internal regulator output)	4.9

图 20. Internal Regulator Voltages of DRV8350R



The functional evaluation of the gate driver is done with gate driver DRV8350R power supply VM is powered from the 15V DC/DC regulator output. 图 21 and 图 22 shows the low side and high side gate drive output voltage at 54V DC input and 15V DC input at 20 kHz switching frequency. The gate drive voltage is approximately 10 V at 54V DC input, which means effective gate driving of standard MOSFETs. The gate drive voltage of the DRV8350R at a DC bus voltage of 15 V (Assuming 1 V/cell in a 15s Li-ion battery configuration during load transients), at a VM pin voltage of 12.76 V (Output of the DC/DC regulator) is approximately 10 V.

图 21. Low- and High-Side Gate Drive Voltage at 54-V DC

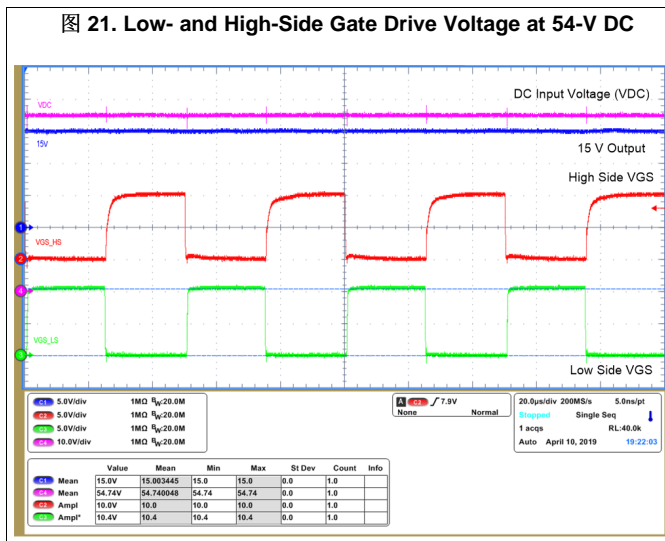
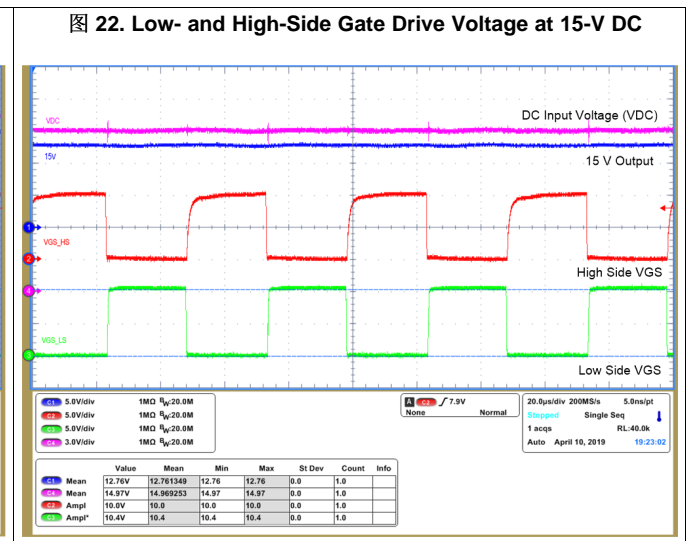


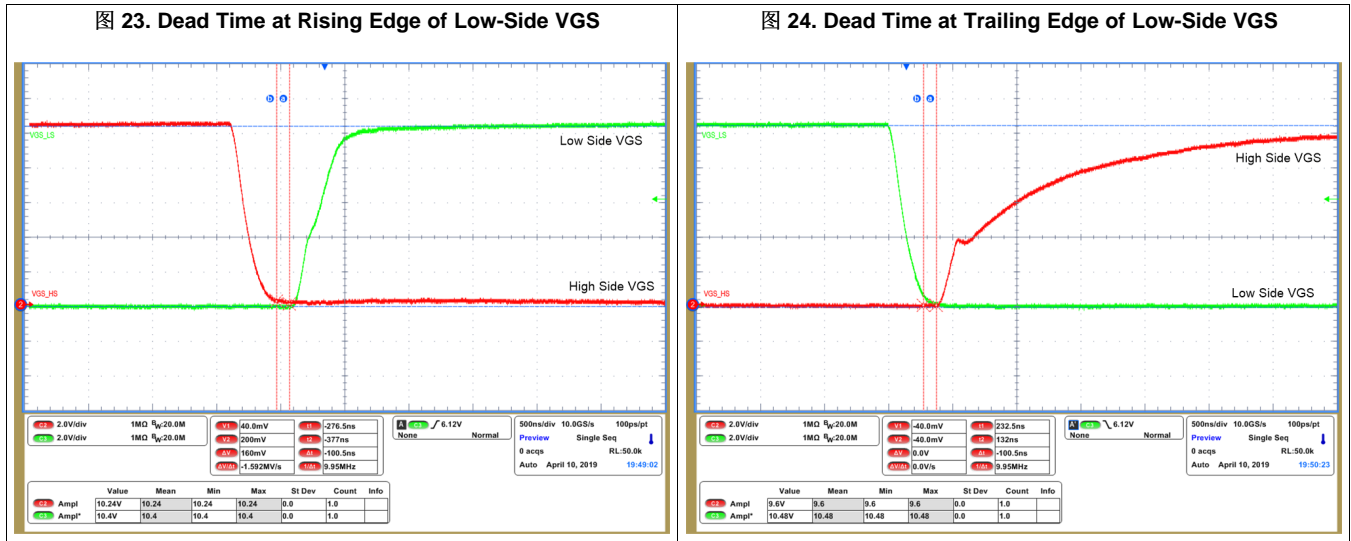
图 22. Low- and High-Side Gate Drive Voltage at 15-V DC





### 3.2.2.5 Dead Time Insertion by DRV8350R

图 23 和 图 24 显示了来自 DRV8350RH 的高边和低边栅极源电压，展示了 DRV8350RH 在 PWM 的两个边缘插入的死时间。死时间为 100ns，是 DRV8350 硬件版本的固定值。DRV8350 在 VGS 握手后插入死时间，确保不会发生直通，并有助于在死时间期间实现非常小的二极管损耗。



### 3.2.2.6 MOSFET Switching Waveforms

图 25 显示了在参考设计测试中用于 BLDC 电机梯形控制的 PWM 方案。控制方案为六步块换相，其中 PWM 应用于上开关，而在正相绕组电流期间，下开关处于主动续流状态。在负相绕组电流期间，下 MOSFET 开关保持持续导通。MOSFET 开关波形使用图 25 所示的 PWM 方案进行评估。

图 25. Low- and High-Side FET PWM Generated by MCU for Unipolar Trapezoidal Control

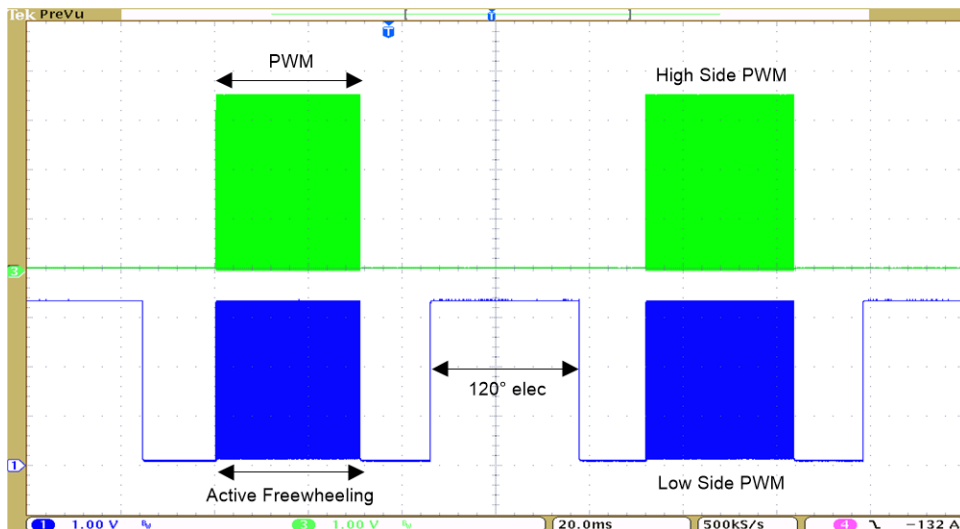
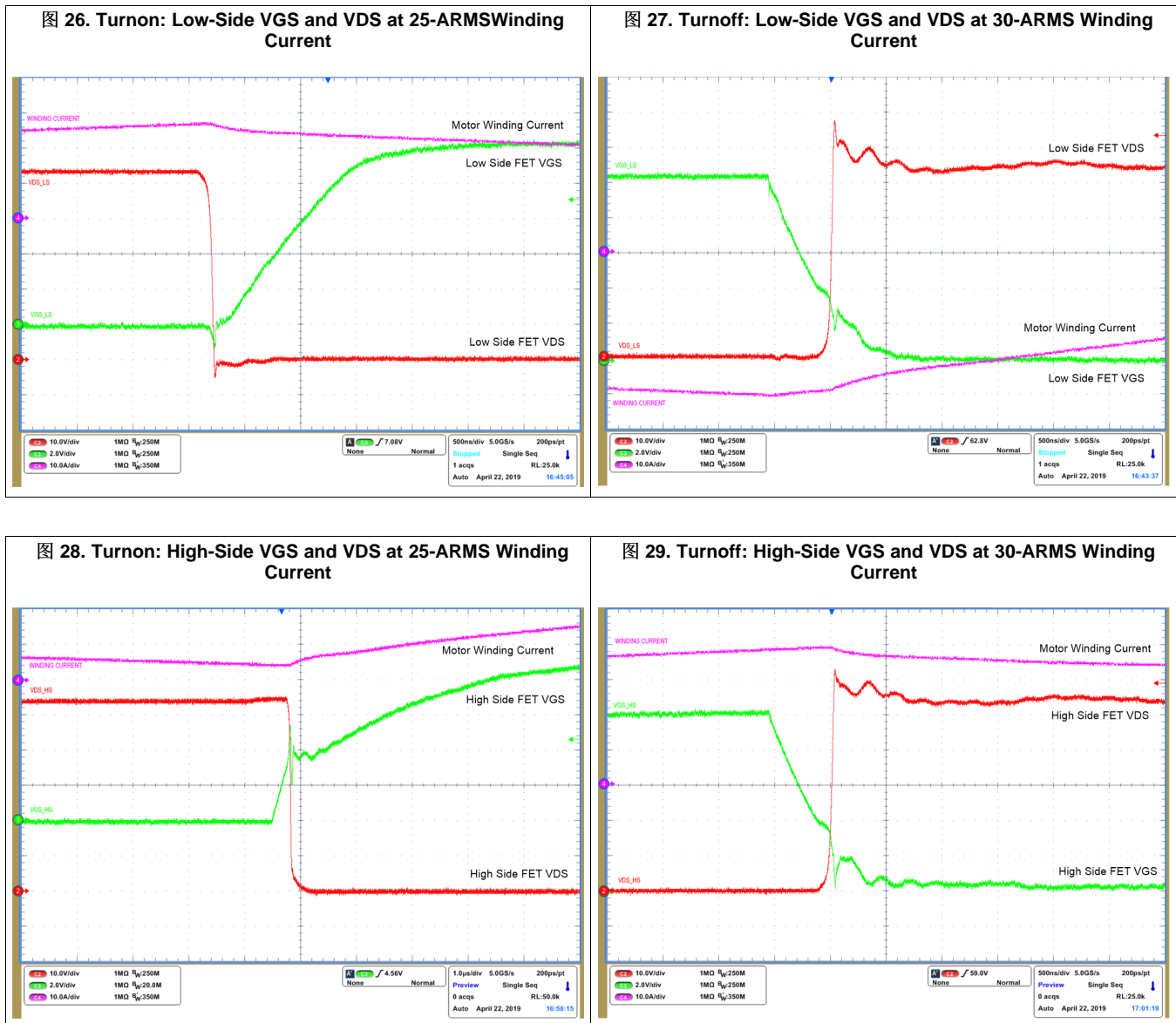


图 26, 图 27, 图 28, 和 图 29 显示低边和高边 MOSFET 的 VDS 和 VGS 波形, 栅极电流 (IDRIVE) 设置为 100-mA 源电流和 200-mA 沉电流。栅极驱动器的开关速度控制, 通过可调节栅极电流和强下拉来消除 MOSFET 在互补 MOSFET 导通期间栅极的 dv/dt 尖峰, 有助于优化开关波形。参考设计在低边 FET 上使用 RC 缓冲器 ( $C_{snub} = 3.9 \text{ nF}$ ,  $R_{snub} = 1.5 \Omega$ ) 来优化电压振铃, 这是由于 FET 二极管反向恢复引起的。在 63VDC, 20kHz PWM 梯形控制下, 一个缓冲器电阻器的损耗为  $(1/3) \times CV^2 \times f_{sw} \approx 0.1 \text{ W}$ 。参考设计使用额定功率为 0.25 W 的缓冲器电阻器。建议为缓冲器使用脉冲功率电阻器。开关波形干净, 几乎没有过电压振铃。



### 3.2.2.7 Load Test

该设计板使用外部 BLDC 电机和负载进行测试, 测试设置如图 12 所示。测试是在没有散热器和没有强制气流的情况下, 在不同占空比下进行的。关键结果总结在表 5 中。

图 30 显示了电机绕组电流和绕组电压波形，在 54-V DC 输入和 22.9-ARMS 绕组电流下。测试是在 100% 占空比下进行的。

表 5. Load Test Results at Different Duty Cycle Without Heat Sink and Without Forced Airflow

INPUT DC VOLTAGE (V)	INPUT DC CURRENT (A)	WINDING CURRENT (RMS) (A)	INPUT POWER (W)	INVERTER DUTY CYCLE (%)	MAXIMUM FET TEMPERATURE (°C)
54	25.95	22.9	1401	95	95
54	30.05	26.6	1623	100	91

图 30. Load Test Results at 54-V DC Input, 23-ARMS Winding Current, 95% Duty Cycle

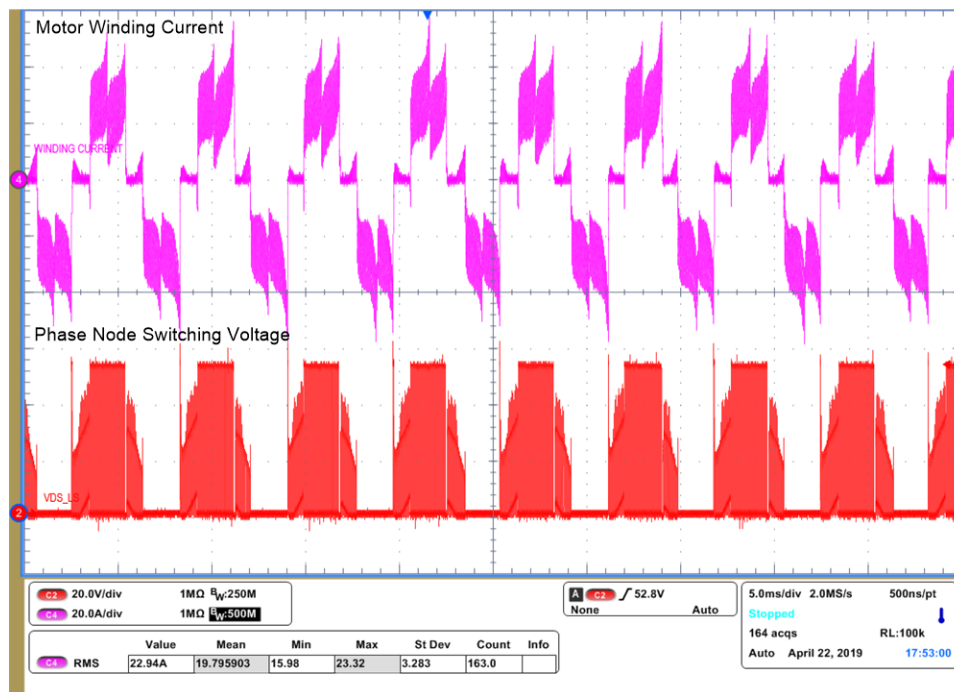


图 31 显示了在 54V DC 输入和 100% 占空比下，连续运行 10 分钟后，在 26-ARMS 负载下的板级稳态热成像图。观察到的最大 FET 温度为 89.7°C。图 31 显示了在 54V DC 输入和 95% 占空比下，连续运行 10 分钟后，在 22.8-ARMS 负载下的板级稳态热成像图。观察到的最大 FET 温度为 93.7°C。

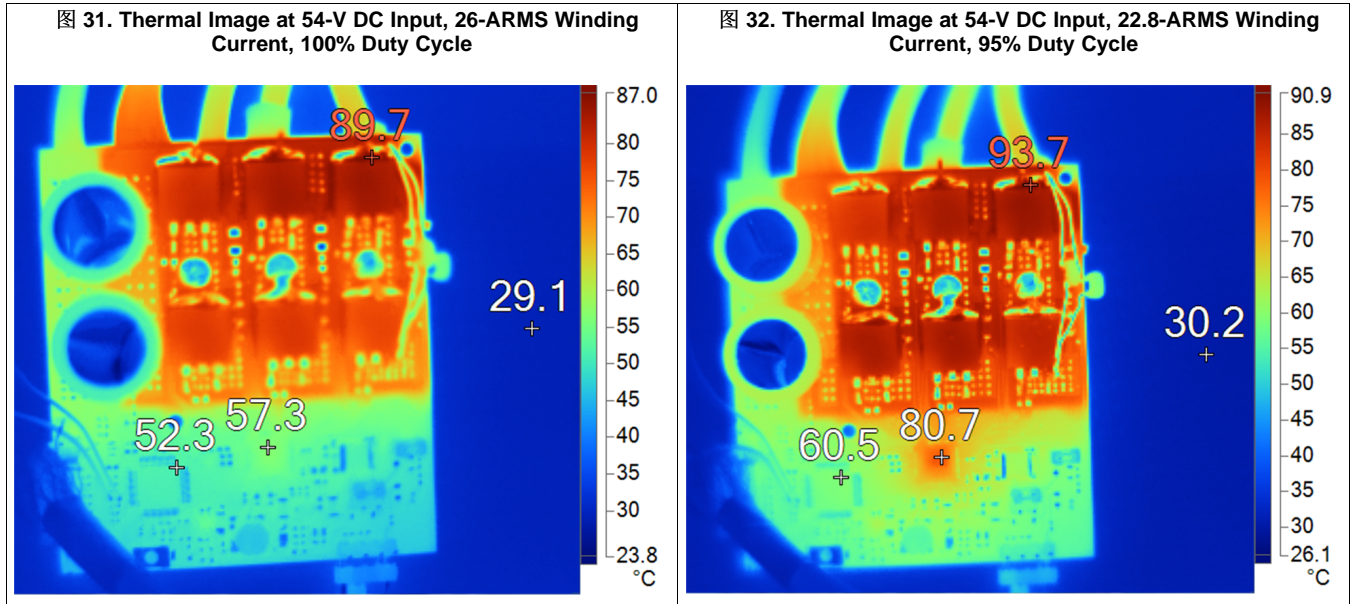


图 33 shows the maximum steady state temperature observed on the MOSFET at different winding current and duty cycle when tested without any heat sink and without forced airflow.

图 33. Maximum Steady State Temperature on MOSFET Across Winding Current

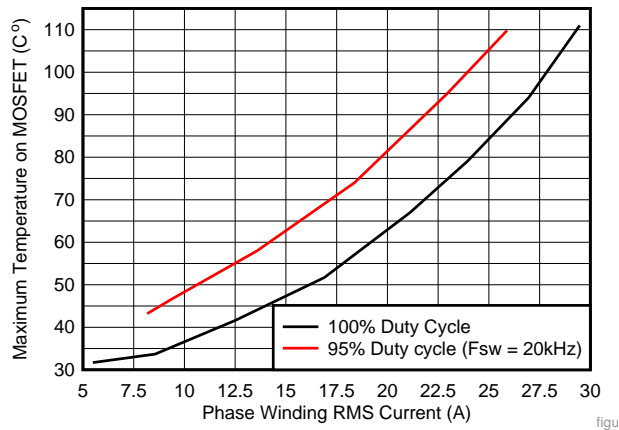
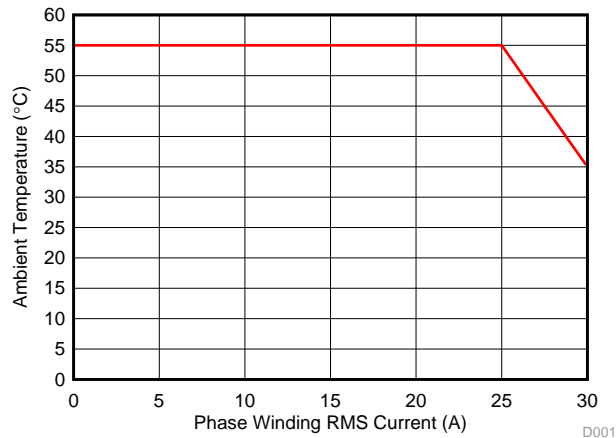


图 34 shows the safe operating area of the board TIDA-010056 with no heat sink and with natural convection.

图 34. TIDA-010056 Safe Operating Area With Natural Convection



3.2.2.8 Power Stage Efficiency Test

The inverter efficiency is experimentally tested with a load setup as shown in 图 12. The efficiency test is done without a heat sink and without forced airflow. The efficiency test results at 100% duty cycle are listed in 表 6 and the test results at 95% duty cycle are listed in 表 7. The efficiency across RMS output current of the inverter is plotted in 图 35. The power loss of the power stage across RMS winding current is shown in 图 36.

The design could achieve the high efficiency due to the following key factors:

- Low  $R_{DS\_ON}$  of the MOSFET reducing the conduction losses
- The smart gate driver DRV8350 enable clean FET switching reducing the switching losses and diode losses
- The VGS handshake feature of the gate driver allows minimum dead time, reducing the diode loss
- Optimum PCB design helping in much reduced PCB parasitic and hence low PCB losses
- High gain current sense amplifier using INA180A3 with very low gain error and offset voltage error helps to reduce the shunt resistor value

表 6. Inverter Efficiency Test Results at 100% Duty Cycle Without Heat Sink and Without Airflow

INPUT DC VOLTAGE (V)	INPUT DC CURRENT (A)	RMS WINDING CURRENT (A)	DC INPUT POWER (W)	INVERTER OUTPUT POWER (W)	INVERTER EFFICIENCY (%)	INVERTER LOSS (W)
54.05	8.64	7.34	467.06	464.50	99.45	2.566
53.93	13.38	11.37	721.33	717.91	99.53	3.423
53.98	18.27	15.48	986.06	981.15	99.50	4.912
53.95	24.02	20.47	1295.68	1288.87	99.47	6.806
54.14	29.85	25.51	1616.03	1606.61	99.42	9.421
53.63	32.37	27.72	1736.35	1725.62	99.38	10.725

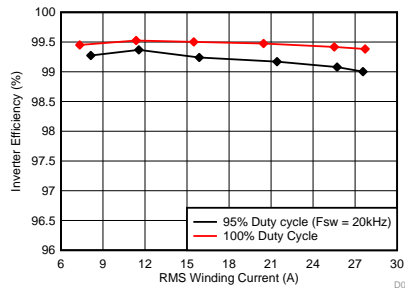
表 7. Inverter Efficiency Test Results at 95% Duty Cycle Without Heat Sink and Without Airflow

INPUT DC VOLTAGE (V)	INPUT DC CURRENT (A)	RMS WINDING CURRENT (A)	DC INPUT POWER (W)	INVERTER OUTPUT POWER (W)	INVERTER EFFICIENCY (%)	INVERTER LOSS (W)
53.85	9.21	8.13	495.98	492.38	99.27	3.604
54.13	13.09	11.56	708.60	704.13	99.37	4.475

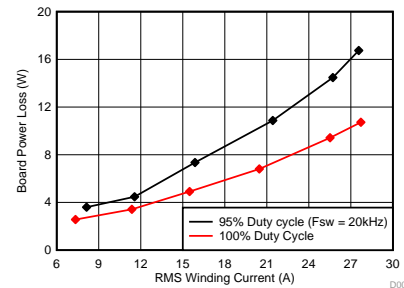
**表 7. Inverter Efficiency Test Results at 95% Duty Cycle Without Heat Sink and Without Airflow (continued)**

INPUT DC VOLTAGE (V)	INPUT DC CURRENT (A)	RMS WINDING CURRENT (A)	DC INPUT POWER (W)	INVERTER OUTPUT POWER (W)	INVERTER EFFICIENCY (%)	INVERTER LOSS (W)
53.95	17.92	15.87	966.55	959.20	99.24	7.348
54.05	24.24	21.43	1310.41	1299.54	99.17	10.872
54.04	29.08	25.72	1571.58	1557.11	99.08	14.475
53.99	31.08	27.57	1677.93	1661.19	99.00	16.740

**图 35. Inverter Efficiency versus Output Power**



**图 36. Board Losses Vs Output RMS Current at 54 V Input**



**3.2.2.9 Overcurrent and Short-Circuit Protection Test**

Over current and short circuit protection of the power stage is implemented using the VDS monitor feature of the gate driver DRV8350RH. The gate drivers implement adjustable VDS voltage monitors to detect overcurrent or short-circuit conditions on the external power MOSFETs. When the monitored voltage is greater than the VDS trip point ( $V_{VDS\_OCP}$ ) for longer than the deglitch time ( $t_{OCP}$ ), an overcurrent condition is detected and action is taken according to the device VDS fault mode.

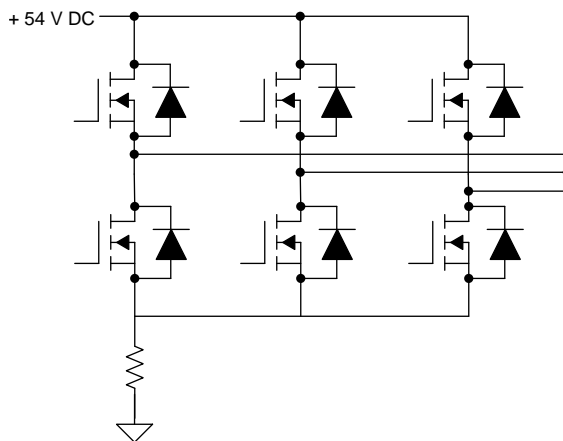
The test conditions as per 表 8 are used for all the test results in this section and Section 3.2.6.3.

**表 8. Test Conditions for Short-Circuit Protection by VDS Monitoring**

PARAMETER	VALUE
Test temperature (ambient)	25°C
MOSFET $R_{DS\_ON}$ at 25°C junction temperature	2 mΩ
Deglitch time	4 μs
Supply Voltage	54 VDC

图 37 shows the test setup to simulate a short circuit at the inverter output.

图 37. Test Setup to Simulate Inverter Short Circuit



Using a VDS threshold of 0.06 V, current limit threshold = VDS threshold / R<sub>DS\_ON</sub> = 30 A

This means once the MOSFET current reaches 30A, the VDS comparator in the gate driver trips and wait for a delay deglitch period of 4 μs, before turning off the MOSFET, to ensure that the overcurrent trip is caused by actual overcurrent event and not by any noise signal. But the circuit current increases from 30-A to a higher value within the deglitch time. The increase in current is determined by deglitch time, short circuit resistance, inductance, and applied DC bus voltage.

For example, assuming:

- Short circuit inductance, L<sub>SC</sub> = 3 μH
- Driving voltage during short circuit = 54 V (DC)
- Short circuit resistance, R<sub>SC</sub> = 0 Ω (for simplicity of analysis)

The increase in current in OCP\_DEG can be calculated as in 公式 16.

$$\Delta I = \frac{V_{SC}}{L_{SC}} \times \Delta t \tag{16}$$

Substituting the values, ΔI = 36 A

The inverter is shorted with a copper wire at the output of the three-phase inverter of this design. The expected peak current setting ≈ 30+ 36 = 66 A

图 38 shows the overcurrent protection acted at around 65 A. Once the current hits 65 A, the PWM shuts off immediately and the response time is less than 1 μs. 图 39 shows the automatic retry time of 8 ms with a persistent short circuit at the inverter output, tested with a 100% duty cycle.

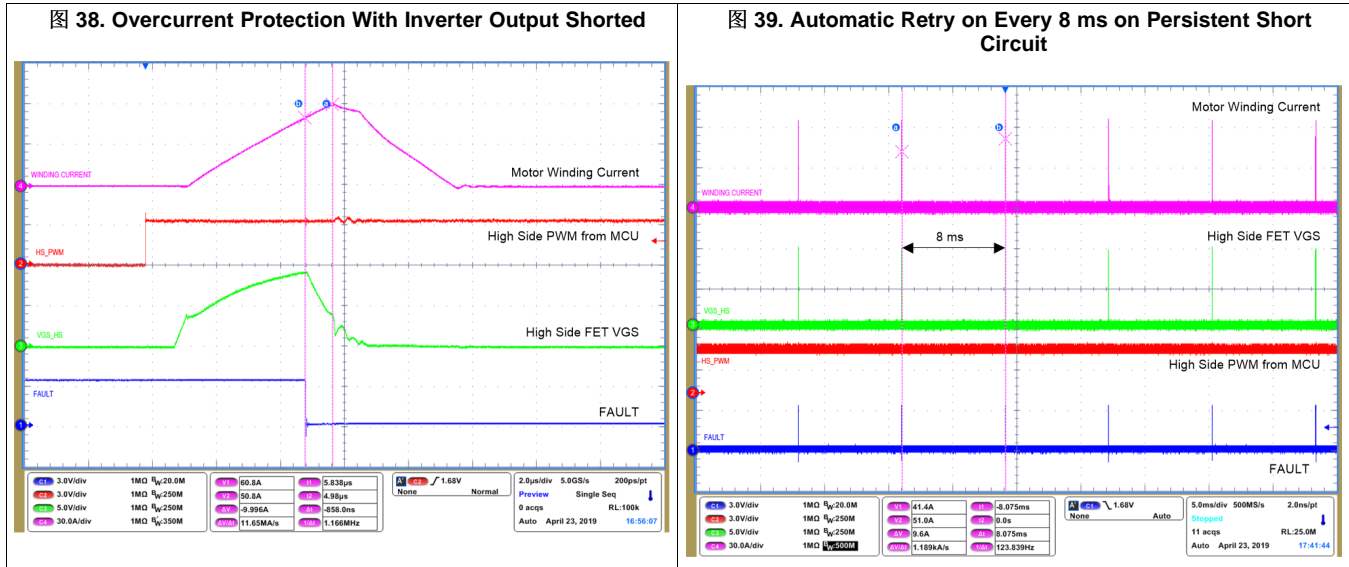
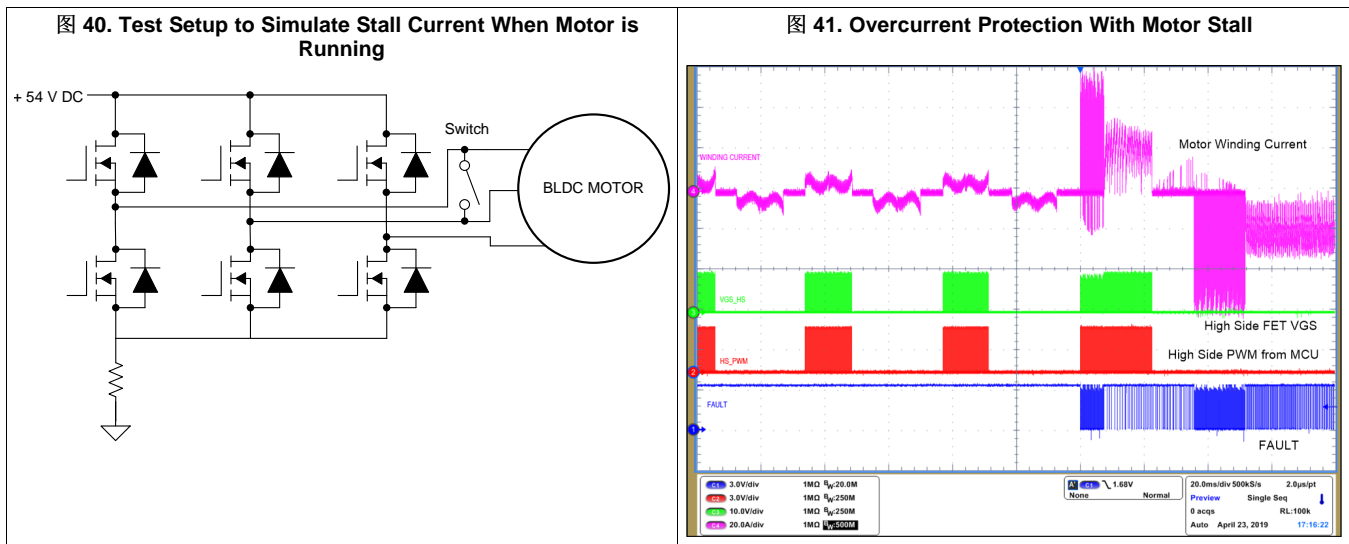


图 40 shows the test setup to simulate a stall current when the motor is rotating. A fault is created by closing the switch SW, that induce a short circuit between the inverter phase A and B output. Before SW is closed, the motor was rotating at a steady speed. 图 41 shows the waveforms obtained when the switch SW is closed. When SW is closed, SW carries the short-circuit current. During this condition the motor stops, which causes the Hall state to continue at the current commutation state or jerk to the next commutation state; therefore, the controller continues to generate the PWM corresponding to the commutation state. The overcurrent protection acted at around 70 A and the PWM shuts off immediately with response time less than 1  $\mu$ s. 图 41 shows the test results with motor stall condition.



### 3.2.2.10 MOSFET Gate Fault Protection

The Gate driver DRV8350 monitors the GHx and GLx pins such that if the voltage on the external MOSFET gate does not increase or decrease after the  $t_{DRIVE}$  time, a gate driver fault is detected. This fault may be encountered if the GHx or GLx pins are shorted to the PGND, SHx, or VM pins. Additionally, a gate driver fault may be encountered if the selected  $I_{DRIVE}$  setting is not sufficient to turn on the external MOSFET within the  $t_{DRIVE}$  period. After a gate drive fault is detected, all external MOSFETs are disabled and the nFAULT pin driven low.



Gate driver faults can indicate that the selected  $I_{DRIVE}$  or  $t_{DRIVE}$  settings are too low to slew the external MOSFET in the desired time. Increasing either the  $I_{DRIVE}$  or  $t_{DRIVE}$  setting can resolve gate driver faults in these cases. Alternatively, if a gate-to-source short occurs on the external MOSFET, a gate driver fault is reported because of the MOSFET gate not turning on.

图 42 shows test results when an open circuit is created between the GHx pin of DRV8350RH and the gate pin of the external high side MOSFET. The DRV8350RH (hardware version of DRV8350) has a fixed  $t_{DRIVE}$  period of 4  $\mu$ s. 图 42 shows that high side PWM (HS\_PWM) is set at around 50% duty cycle. However the gate driver detects the gate open condition and issue a fault after  $t_{DRIVE}$  time and turns off all the MOSFETs. The testing is done with an IDRIVE setting 300 mA source current and 600 mA sink current

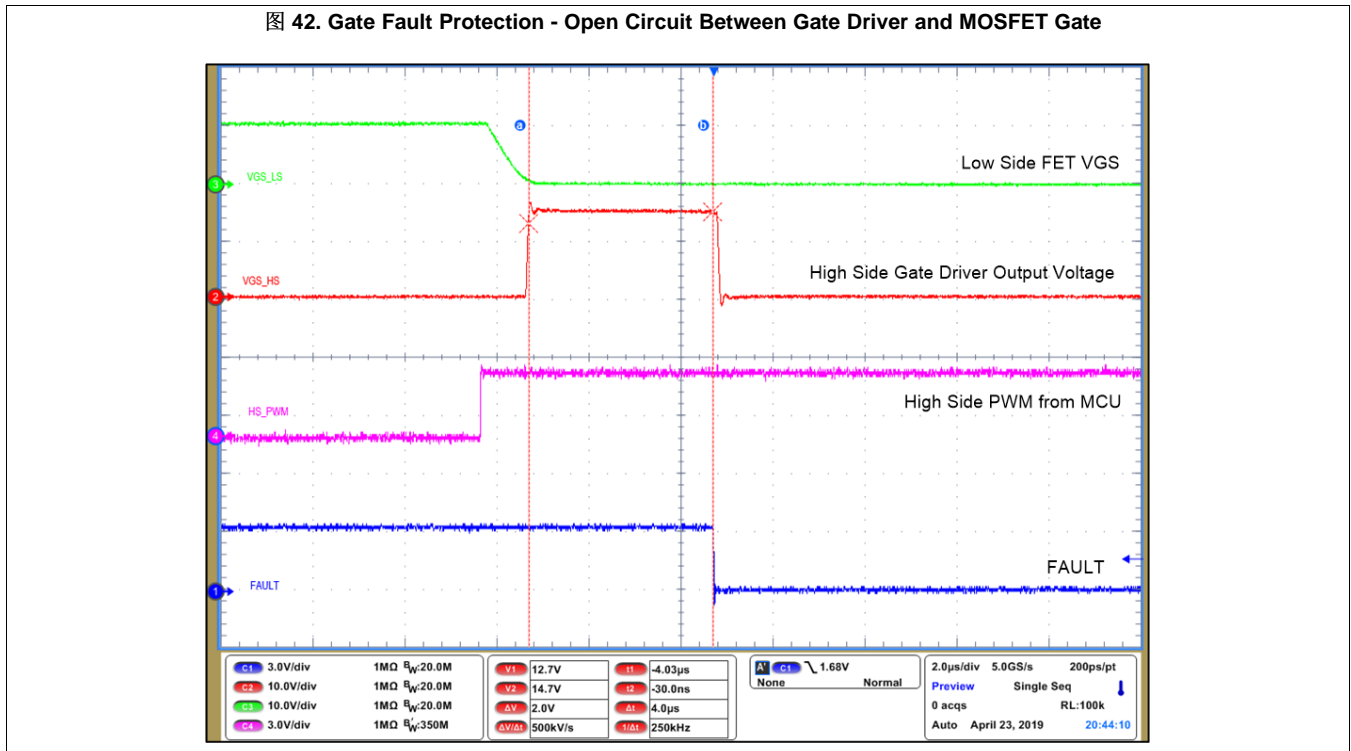
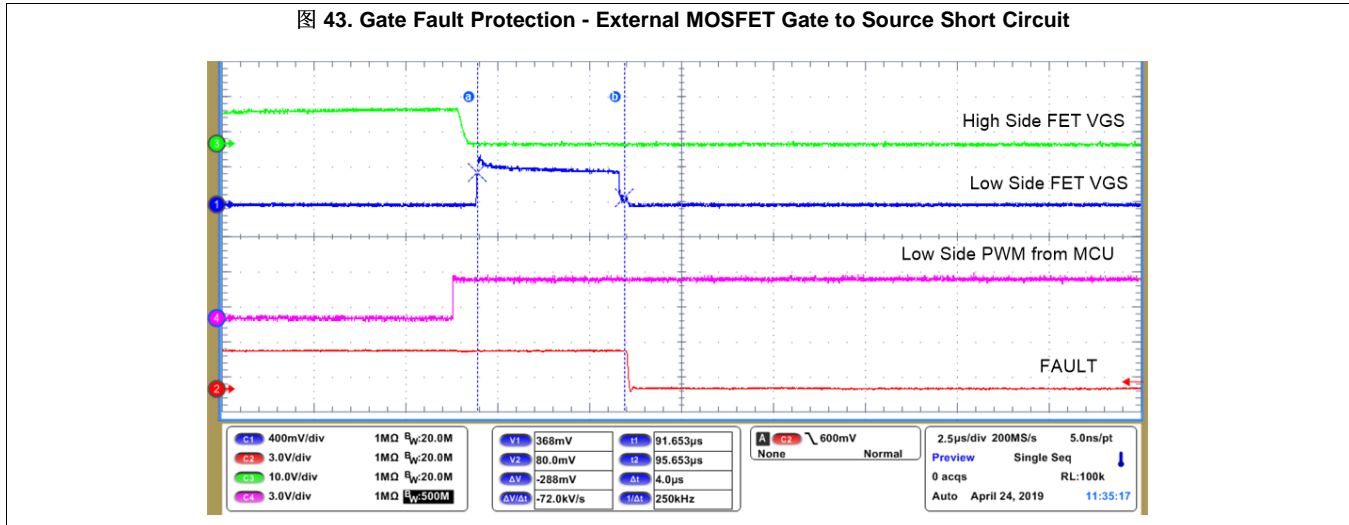


图 43 shows test results when a short circuit is created between the gate and source of external low side MOSFET. 图 43 shows that low side PWM (LS\_PWM) is set at around 50% duty cycle. However the gate driver detects the gate to source short circuit condition as the gate voltage did not reach the commanded gate drive voltage after  $t_{DRIVE}$  time and issue a fault after  $t_{DRIVE}$  time and turns off all the MOSFETs. The testing is done with an IDRIVE setting 300 mA source current and 600 mA sink current

图 43. Gate Fault Protection - External MOSFET Gate to Source Short Circuit



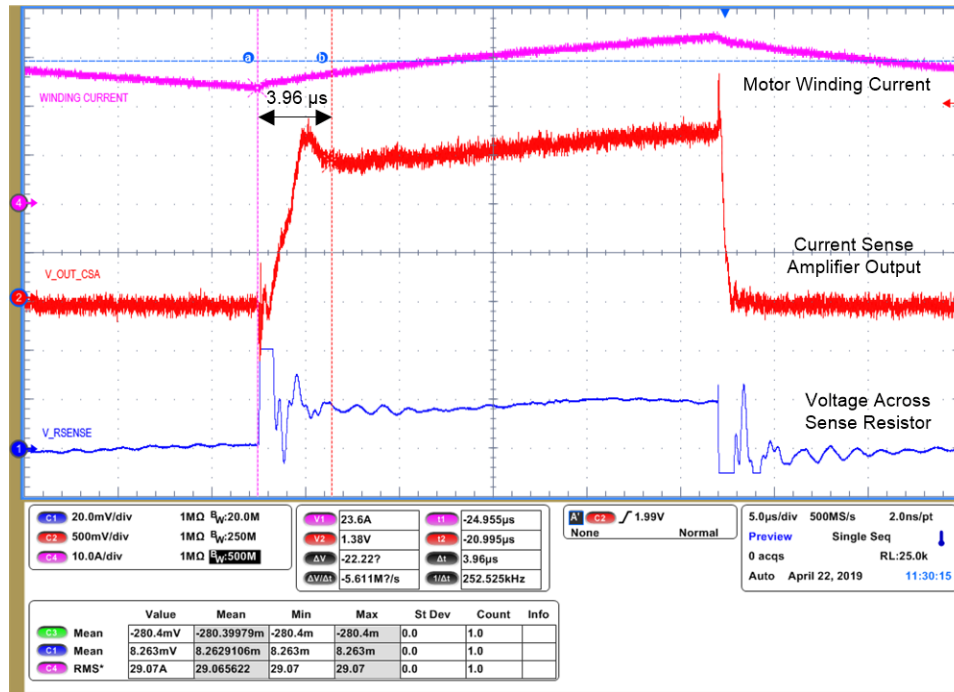
### 3.2.2.11 Current Sense Amplifier Testing

The step response of the current sense amplifier is evaluated under the test conditions:

- Two 1-mΩ resistors are connected in parallel to get an effective shunt resistance of 0.5 mΩ
- Amplifier gain of 100V/V by INA180A3 with a bandwidth of 150 kHz
- Winding current of approximately 25A RMS. The winding current rises from 24A to 34A in the PWM on period

图 44 shows the step response of the amplifier circuit. The settling time at the rated winding current is less than 4 μs. The testing is done with input filter component values of R22 = R27 = 10 Ω and C21 = 3300 pF, to suppress the voltage oscillations across the shunt resistor during switching and to attenuate high frequency noise pick up due to MOSFET switching. Current sense amplifier output filter values used are R23 = 100 Ω, and C23 = 1000 pF.

图 44. Transient Response of Current Sense Amplifier



### 3.2.2.12 Power stage Sleep Current Consumption

表 9 list the sleep current consumption of the power stage at different test conditions. All testing done at an input voltage of 54V.

表 9. Power Stage Sleep Current Consumption

TEST CONDITION (INVERTER OPEN CIRCUITED)	POWER STAGE CURRENT CONSUMPTION
DRV8350R: Fsw =20kHz, VDC = 54V, VM = 15V, DC/DC input = 54 V, VDRAIN = 54V	29.45 mA
DRV8350R: VDC = 54V, VM pin open, DC/DC input = 54 V, VDRAIN = 54V	< 20 mA
DRV8350R: VDC = 54V, VM pin open, DC/DC input = 0V, VDRAIN = 54V	< 60 μA

## 4 Design Files

### 4.1 Schematics

To download the schematics, see the design files at [TIDA-010056](#).

### 4.2 Bill of Materials

To download the bill of materials (BOM), see the design files at [TIDA-010056](#).

### 4.3 PCB Layout Recommendations

Use the following layout recommendations when designing the PCB

- Connect all the decoupling capacitor and charge pump capacitors of DRV8350R close to DRV8350R pins to minimize loop impedance for the bypass capacitor.
- Minimize the loop length for the high-side and low-side gate drivers. The high-side loop is from the DRV8350R GH\_X to the power MOSFET and returns through SH\_X. The low-side loop is from the DRV8350R GL\_X to the power MOSFET and returns through GND.
- In this design guide, the PCB is a four-layer layout with a 2-oz (70-micron) copper thickness in every layer. The power tracks are made wide to carry a high current. The tracks are repeated in different layers and are connected by arrays of stitching vias.
- A GND star point is defined in the PCB from where the GND path for the DRV8350R and other signal circuits in the board is tapped.
- For better thermal dissipation from the MOSFET to the PCB, increase the copper area around the MOSFET pad as much as possible. Use arrays of vias under the drain pad of the MOSFET, which will spread heat better to the bottom surface copper area.

#### 4.3.1 Layout Prints

To download the layer plots, see the design files at [TIDA-010056](#).

### 4.4 Altium Project

To download the Altium Designer® project files, see the design files at [TIDA-010056](#).

### 4.5 Gerber Files

To download the Gerber files, see the design files at [TIDA-010056](#).

### 4.6 Assembly Drawings

To download the assembly drawings, see the design files at [TIDA-010056](#).

## 5 Software Files

To download the software files, see the design files at [TIDA-010056](#).

## 6 Related Documentation

1. [Understanding Smart Gate Drivers, Application Report](#)
2. [36-V/1-kW, 99% Efficient, 18-cm<sup>2</sup> Power Stage Reference Design for Three-Phase BLDC Motors Design Guide](#)

3. [25.2-V, 30-A High-speed sensorless \(> 100 krpm\) brushless DC motor drive reference design Design Guide](#)

## 6.1 商标

E2E is a trademark of Texas Instruments.  
Altium Designer is a registered trademark of Altium LLC or its affiliated companies.  
All other trademarks are the property of their respective owners.

## 6.2 *Third-Party Products Disclaimer*

TI'S PUBLICATION OF INFORMATION REGARDING THIRD-PARTY PRODUCTS OR SERVICES DOES NOT CONSTITUTE AN ENDORSEMENT REGARDING THE SUITABILITY OF SUCH PRODUCTS OR SERVICES OR A WARRANTY, REPRESENTATION OR ENDORSEMENT OF SUCH PRODUCTS OR SERVICES, EITHER ALONE OR IN COMBINATION WITH ANY TI PRODUCT OR SERVICE.

## 7 Terminology

**PWM** Pulse width modulation

**BLDC** Brushless Direct Current

**MCU** Microcontroller unit

**FETs, MOSFETs** Metal-oxide-semiconductor field-effect transistor

**RPM** Rotation per minute

**RMS** Root mean square

## 8 About the Author

**MANU BALAKRISHNAN** is a systems engineer at Texas Instruments, where he is responsible for developing subsystem design solutions for the Industrial Motor Drive segment. Manu brings to this role his experience in power electronics and analog and mixed signal designs. He has experience in system-level product design of permanent magnet motor drives. Manu earned his bachelor of technology in electrical and electronics engineering from the University of Kerala and his master of technology in power electronics from National Institute of Technology, Calicut, India.

## 修订历史记录

注：之前版本的页码可能与当前版本有所不同。

<b>Changes from Original (June 2019) to A Revision</b>	<b>Page</b>
<ul style="list-style-type: none"> <li>已更改 将标题从适用于三相 BLDC 驱动器且效率低于 99% 的 54V、1.5kW、70x69mm<sup>2</sup> 功率级参考设计 更改为适用于三相 BLDC 驱动器且效率高于 99% 的 54V、1.5kW、70x69mm<sup>2</sup> 功率级参考设计 .....</li> </ul>	1

## 重要声明和免责声明

TI“按原样”提供技术和可靠性数据（包括数据表）、设计资源（包括参考设计）、应用或其他设计建议、网络工具、安全信息和其他资源，不保证没有瑕疵且不做任何明示或暗示的担保，包括但不限于对适销性、某特定用途方面的适用性或不侵犯任何第三方知识产权的暗示担保。

这些资源可供使用 TI 产品进行设计的熟练开发人员使用。您将自行承担以下全部责任：(1) 针对您的应用选择合适的 TI 产品，(2) 设计、验证并测试您的应用，(3) 确保您的应用满足相应标准以及任何其他功能安全、信息安全、监管或其他要求。

这些资源如有变更，恕不另行通知。TI 授权您仅可将这些资源用于研发本资源所述的 TI 产品的应用。严禁对这些资源进行其他复制或展示。您无权使用任何其他 TI 知识产权或任何第三方知识产权。您应全额赔偿因在这些资源的使用中对 TI 及其代表造成的任何索赔、损害、成本、损失和债务，TI 对此概不负责。

TI 提供的产品受 [TI 的销售条款](#) 或 [ti.com](#) 上其他适用条款/TI 产品随附的其他适用条款的约束。TI 提供这些资源并不会扩展或以其他方式更改 TI 针对 TI 产品发布的适用的担保或担保免责声明。

TI 反对并拒绝您可能提出的任何其他或不同的条款。

邮寄地址：Texas Instruments, Post Office Box 655303, Dallas, Texas 75265

Copyright © 2022，德州仪器 (TI) 公司