

设计指南: TIDA-00556 适用于可穿戴设备的运输模式



说明

运输模式是低功耗状态，能在产品的运输阶段延长电池寿命。本设计展示了一个节省空间的运输模式，具有简单的低成本负载开关解决方案。该解决方案专用于可穿戴设备和其他小型便携式电子产品。

资源

TIDA-00556 设计文件夹
TPS22916B 产品文件夹



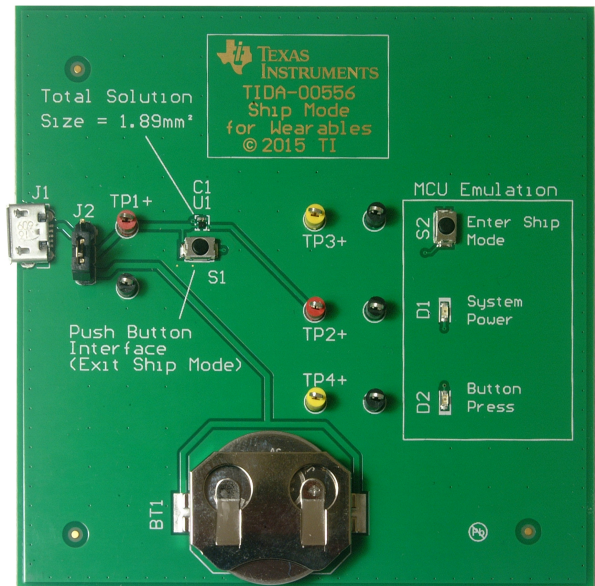
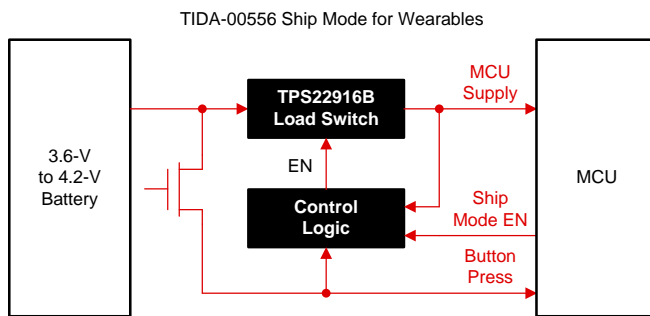
咨询我们的 E2E™ 专家

特性

- 1.89mm² 的小尺寸解决方案可以轻松纳入任何设计
- 低功耗状态的 10nA 关断电流延长了货架期，可实现无缝的开箱即用体验
- 4 个组件可实现低 BOM 成本并在多个平台中实现可扩展性

应用

- 可穿戴设备（非医用）
- 便携式电子产品



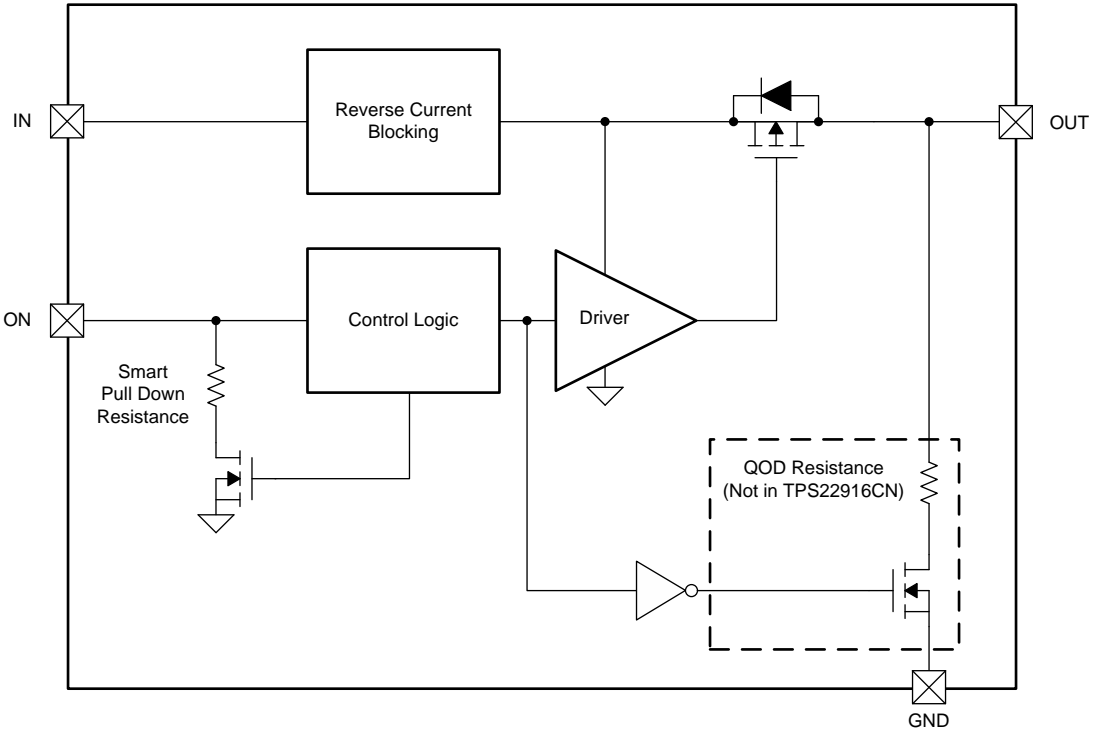
该 TI 参考设计末尾的重要声明表述了授权使用、知识产权问题和其他重要的免责声明和信息。

1 System Description

As the presence of global manufacturing and distribution increases, many original equipment manufacturers are looking for creative ways to extend battery life during shipping and while on-the-shelf at big-box warehouses. Keeping the battery sufficiently charged during shipment enables a consistent *out-of-box* experience for the end user. A solution that has gained popularity is the use of a *ship mode* feature that helps keep devices in a low-power state during shipment and while on-the-shelf.

The purpose of this design is to prolong battery life during shipment of wearable electronics and to provide customers with a consistent *out-of-box* experience. Load switches offer many advantages compared to a discrete solution using field-effect transistors (FETs). Load switches offer controlled turnon, limiting the damaging effects of inrush current. Load switches also have low leakage current when disabled and draw minimal power when enabled, improving battery life in portable applications. Load switches are cost- and size-optimized to replace discrete solutions where channel density and space is critical. Many load switches offer a Quick Output Discharge (QOD) feature that dissipates any residual energy on the output after the switch is disabled. Other load switches offer reverse current protection to protect upstream circuitry in the case that the supply potential dips. Learn more about load switches on TI.com.

1.1 TPS22916B

The TPS22916 device is a 5.5-V, 2-A load switch in a 4-pin CSP package. To reduce voltage drop for low-voltage and high-current rails, the device implements a 60-mΩ resistance P-channel MOSFET, reducing the dropout voltage through the device. The device has a fixed slew rate that may reduce or eliminate power supply droop due to large inrush currents. During shutdown, the TPS22916 has low leakage currents, that reduce unnecessary leakages for downstream modules during standby. Integrated control logic, driver, reverse current blocking, and output discharge FET eliminate the requirement for any external components, reducing solution size and bill of materials (BOM) count.  shows the TPS22916B block diagram.

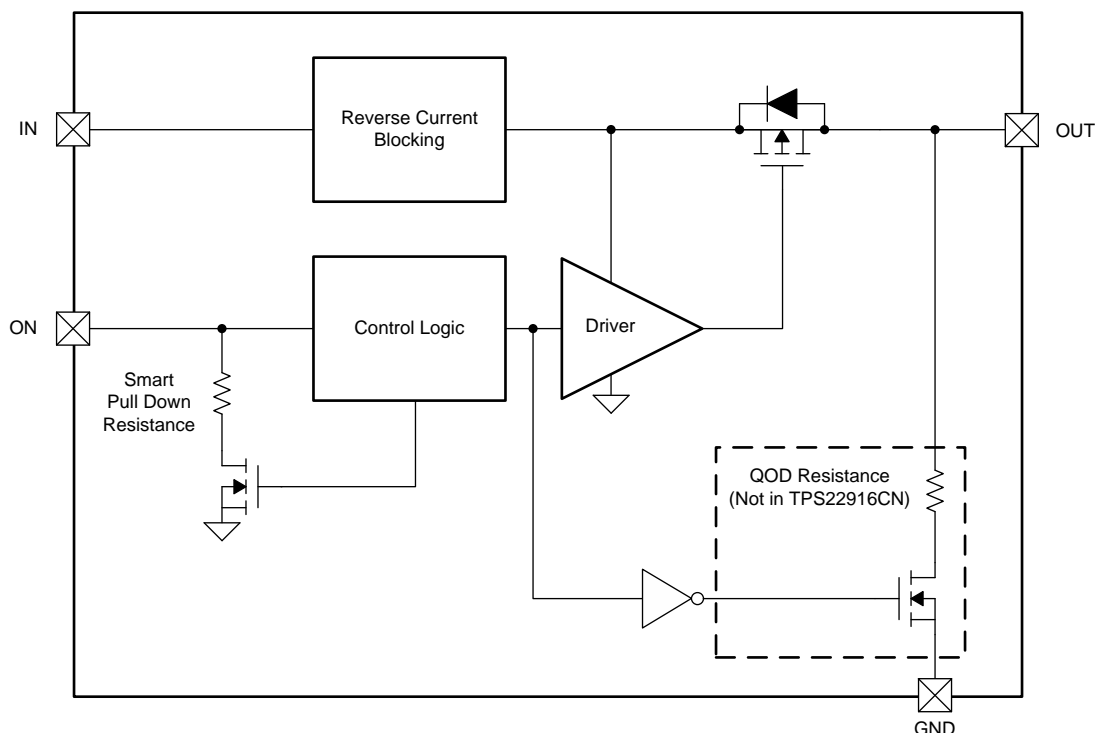


图 1. TPS22916B Block Diagram

2 Key System Specifications

表 1 lists the system electrical specifications.

表 1. System Electrical Specifications

PARAMETER	CONDITIONS	MIN	TYP	MAX	UNIT
V_{IN} Input voltage		1		5.5	V
I_{OUT} Output current				2	A
T_A Free air temperature range		-40		85	°C
I_{SD} System leakage current	$V_{ON} = 0\text{ V}$		10	100	nA
I_Q System quiescent current	$V_{IN} = 1 - 5.5\text{ V}$.5	1	μA
$t_{ON(90\%)}$ System turnon time (90% of V_{OUT})	$V_{IN} = 5.0\text{ V}$		115		μs
	$V_{IN} = 3.6\text{ V}$		140		

3 Block Diagram

The ship mode TI Design emulates the connection between the battery and system in a typical wearable application. The voltage from the battery passes through the TPS22916B load switch when the push-button is pressed. The load switch is latched on even after the button is released. Further button presses are registered by the rest of the system. The microcontroller block uses hardware to emulate GPIO signals, which come from a microcontroller. The microcontroller puts the TPS22916B into ship mode by emulating a GPIO signal to disable the control logic of the ship mode circuit. 图 2 shows the block diagram of the TPS22916B.

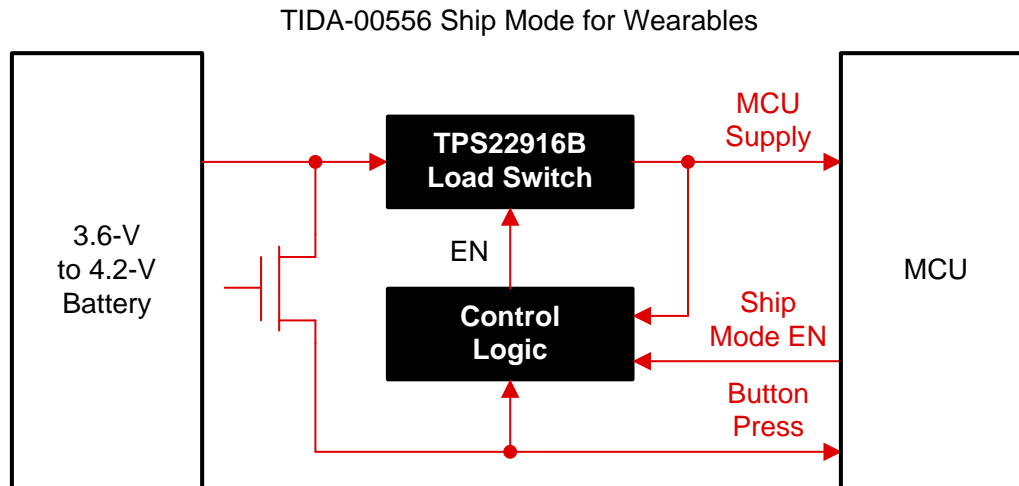


图 2. Block Diagram of the TPS22916B

4 System Design Theory

This TI Design focuses on the ship mode application used primarily by wearables customers. When considering their system, observe the following:

- Wearables are getting smaller and a minimal solution size is key. CSP devices are typically used for these space constrained products.
- To extend battery life, devices with low leakage current and active power consumption.
- A low BOM count keeps the wearable product at a low price.
- The system must withstand a battery voltage of at least 4.35 V and stay on even when the voltage discharges to a lower value.

图 3 shows the ship mode diagram.

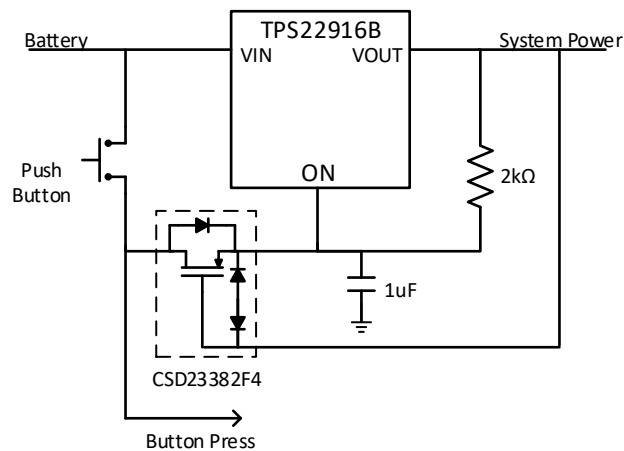


图 3. Ship Mode Diagram

TI chose the TPS22916B because it requires three additional discrete components, which keeps the BOM count low while still maintaining a small solution size. This load switch has a low shutdown current (10 nA typical) to prolong battery life during shipment. The TPS22916B can operate from battery voltages from 1 V and 5.5 V. The 0.74-mm × 0.74-mm CSP package requires a small footprint to implement. The CSD23382F4 transistor features a footprint of 0.6 mm × 1.00 mm, and helps to minimize the total solution size. The resistors and capacitors chosen are 0201 components, making the total solution size 1.89 mm².

4.1 Exit Ship Mode

Pressing the *Exit Ship Mode* button exits ship mode. The voltage from the battery is passed through the PMOS to the ON pin of the TPS22916B. The voltage enables the TPS22916B, brings V_{OUT} high, turns off the PMOS, and activates the *System Power LED*. The ON pin is pulled up to V_{OUT} , which keeps the load switch enabled even after the button is released. Further button presses may be registered by the rest of the system and cause the *Button Press LED* to illuminate. 图 4 shows the exit ship mode schematic.

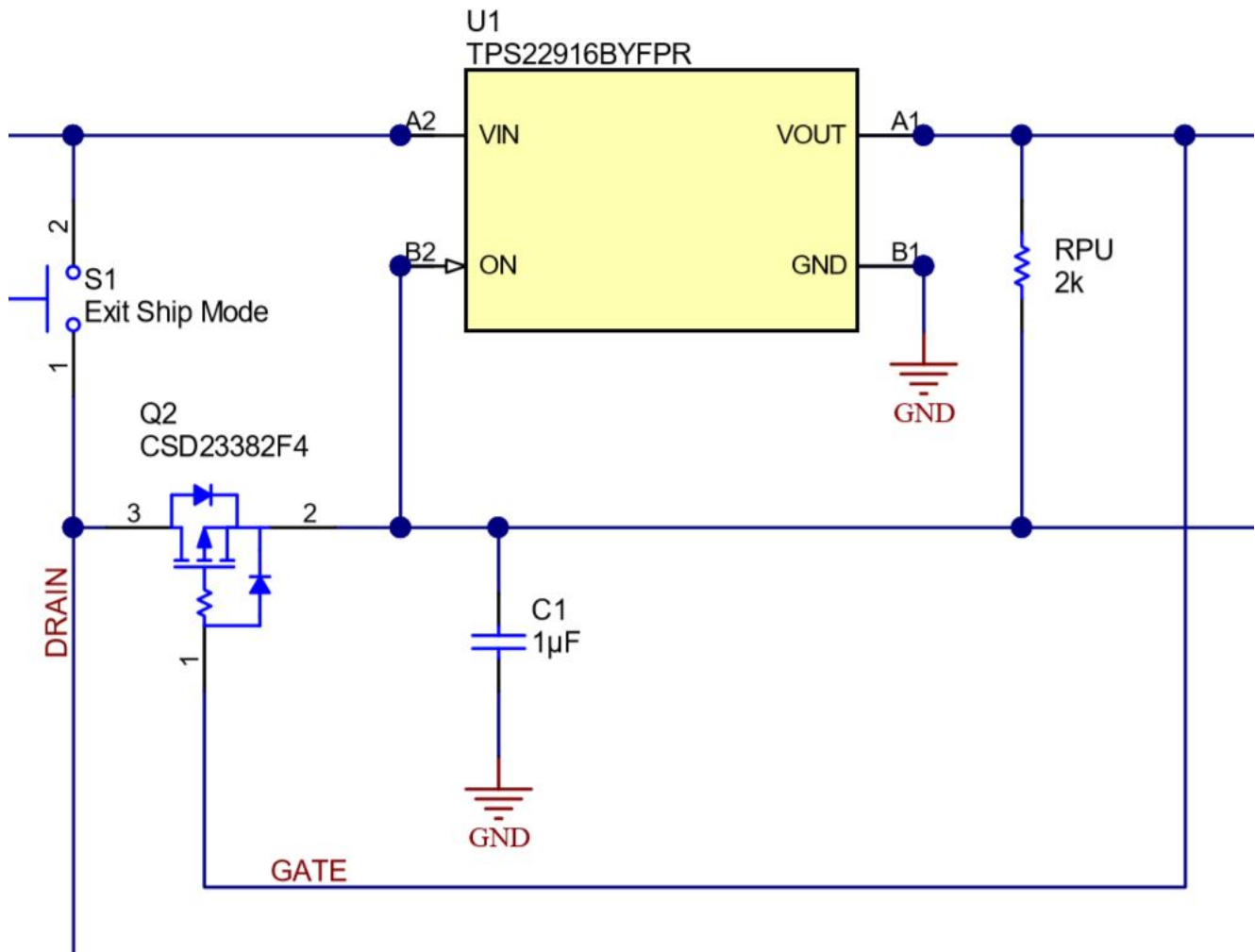


图 4. Exit Ship Mode Schematic

4.2 Enter Ship Mode

Pressing the *Enter Ship Mode* button enters ship mode and emulates a GPIO from the microcontroller, pulling the ON pin low. With the ON pin low, the TPS22916B shuts down and disables power to the rest of the system. 图 5 shows the enter ship mode schematic.

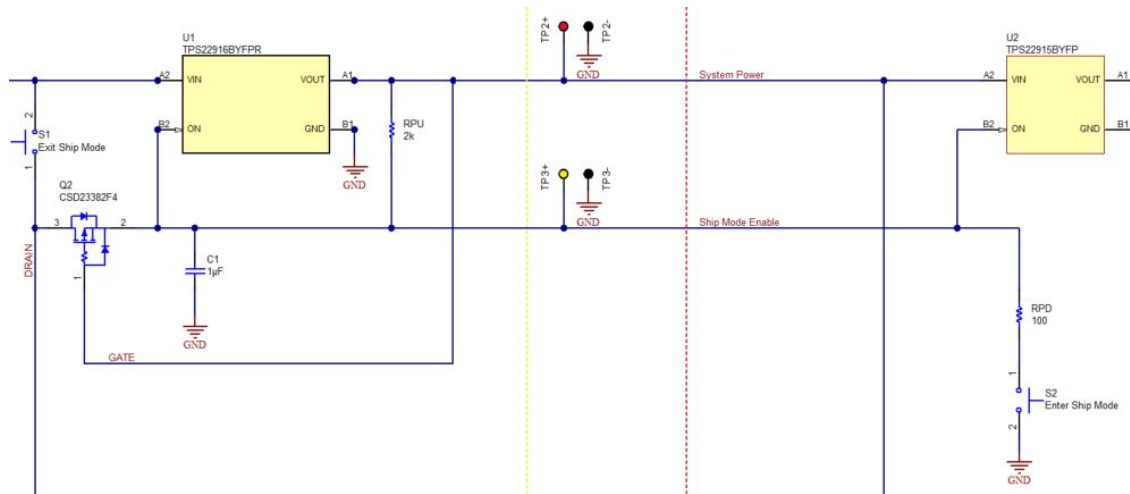


图 5. Enter Ship Mode Schematic

4.3 Button Press

The *Exit Ship Mode* button may be used as an input to the system after exiting ship mode. Pressing the button causes the *Button Press* light to activate, indicating that the system detects the button press.

For use as a microcontroller GPIO, the button press signal may be regulated to a lower voltage. This is the case if the battery voltage is higher than the GPIO voltage tolerance. 图 6 shows two potential solutions.

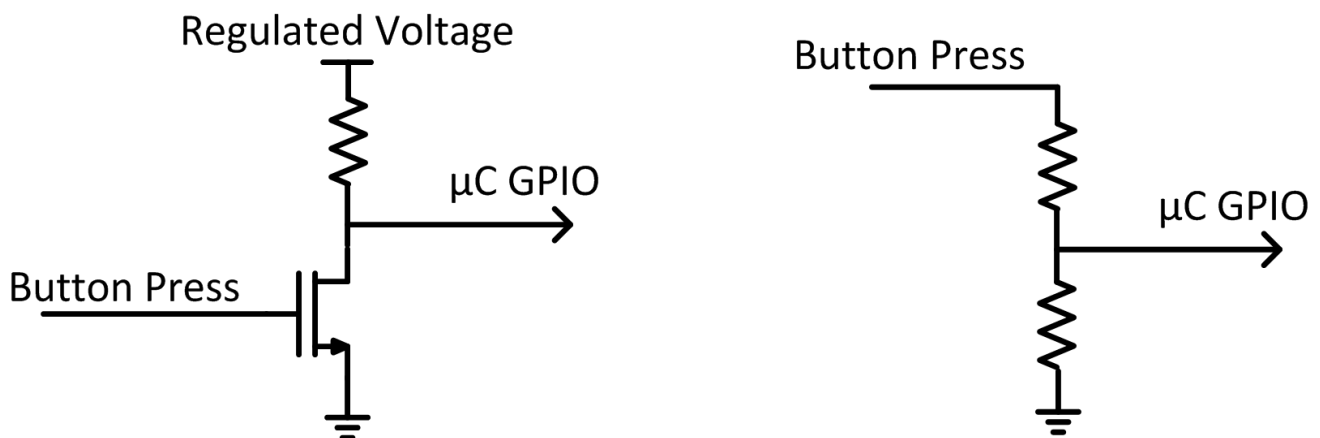


图 6. Regulating the Button Press Signal for a GPIO Input

The first solution pulls the GPIO to a regulated voltage in the system, whereas the second solution uses a resistor divider to lower the button press voltage. TI recommends including a series resistance to limit current into the GPIO pin before the microcontroller is powered.

4.4 Using a Rechargeable Battery

If using a rechargeable battery and battery charging IC, place the ship mode circuit between the battery and IC, as shown in 图 7.

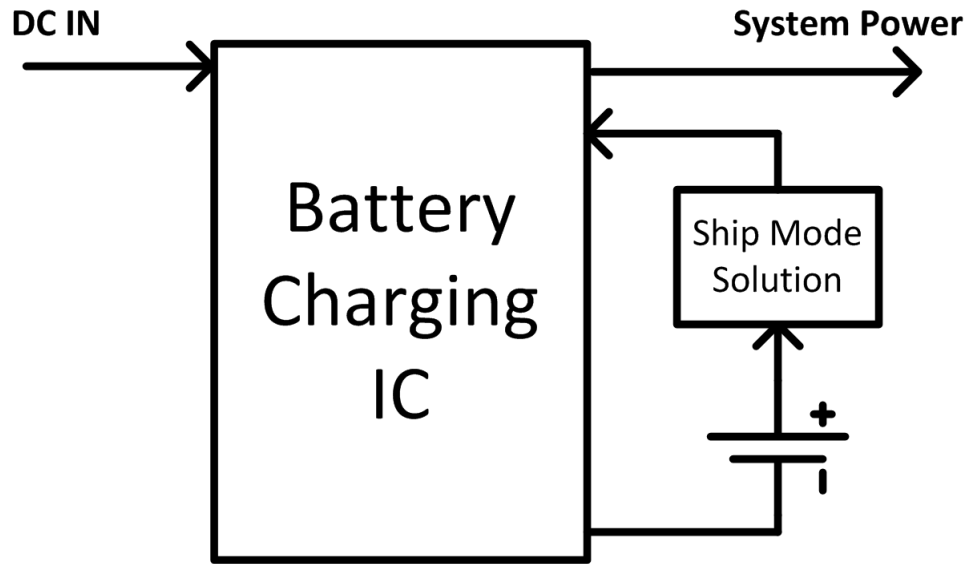


图 7. Ship Mode Implementation With a Rechargeable Battery IC

5 Getting Started Hardware

The following sections detail how to set up the system and the results of basic functional testing.

5.1 Operation from USB

- Step 1. Connect one end of the USB cable to a computer (or powered USB port).
- Step 2. Connect the other end of the USB cable to the micro USB connector on the board (J1).
- Step 3. Press the *Exit Ship Mode* button.
- Step 4. Verify the system power and button GPIO LEDs activate.
- Step 5. Press and release the *Exit Ship Mode* button.
- Step 6. Verify the Button GPIO LED activates and deactivates with each press.
- Step 7. Press the *Enter Ship Mode* button.
- Step 8. Verify the system power and button GPIO LEDs deactivate.

图 8 shows the ship mode circuit powered using a USB cable.

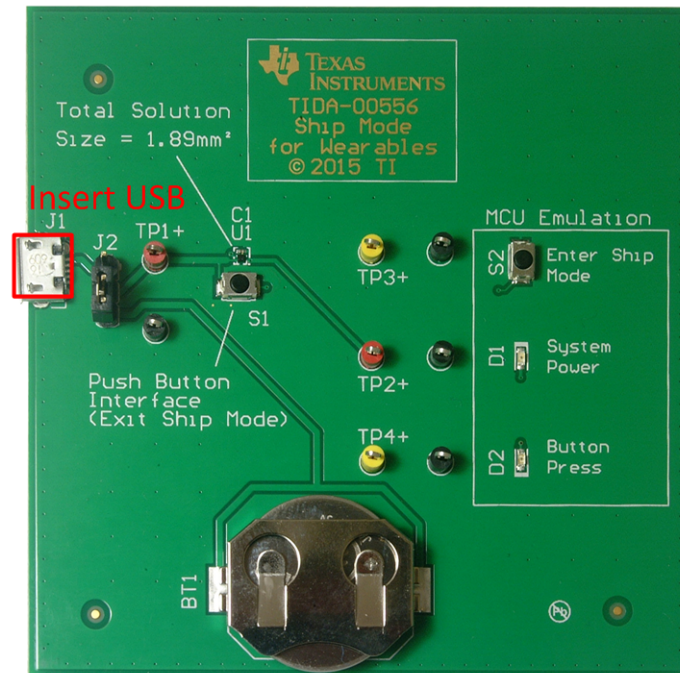


图 8. Ship Mode Circuit Powered Using a USB Cable

5.2 Operation from Battery

The system can be powered from a standard CR2025 or CR2032 lithium coin cell battery. Use the following as an alternative to Step 1, then follow Steps 2 through 4 from 5.1 节.

图 9 shows the ship mode circuit powered using a battery.

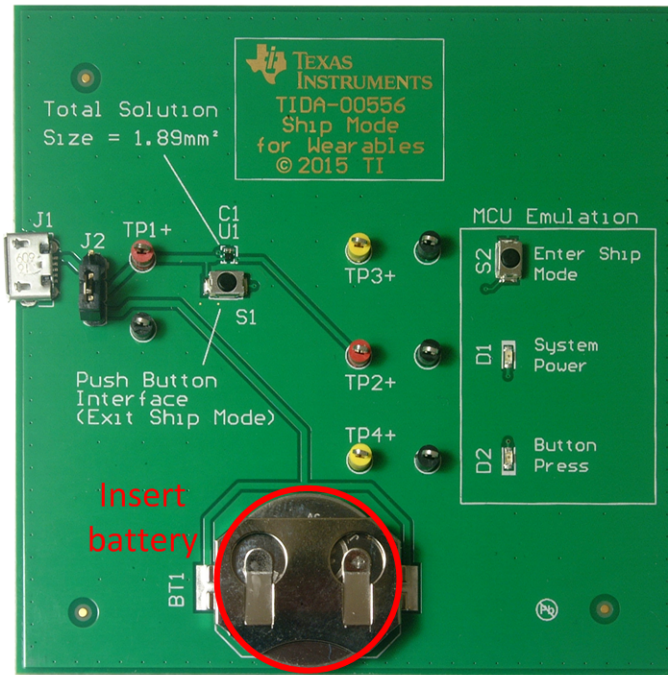


图 9. Ship Mode Circuit Powered Using a Battery

Make sure to place the coin cell in the battery holder BT1 with the positive (+) terminal facing away from the board.

6 Test Setup

6.1 Shutdown Current

To measure shutdown current, the system is connected as shown in [图 9](#).

The system is put into ship mode, the input voltage from the sourcemeter (SMU) is varied, and the shutdown current is logged at each voltage.

[图 10](#) shows the configuration for shutdown current measurements.

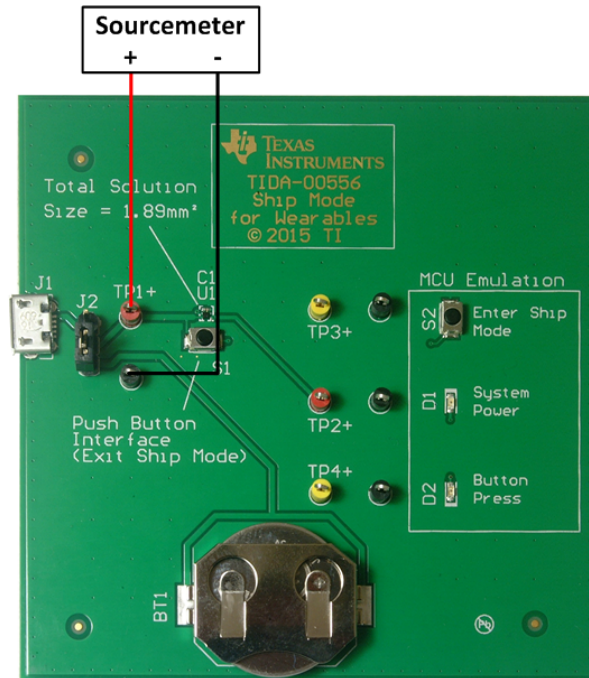


图 10. Configuration for Shutdown Current Measurements

6.2 Enter Ship Mode

图 15 显示了系统电源和控制信号 while 进入 ship mode。The device is operating normally, and the *Enter Ship Mode* button is pressed. 图 11 显示了配置 for 进入 ship mode。

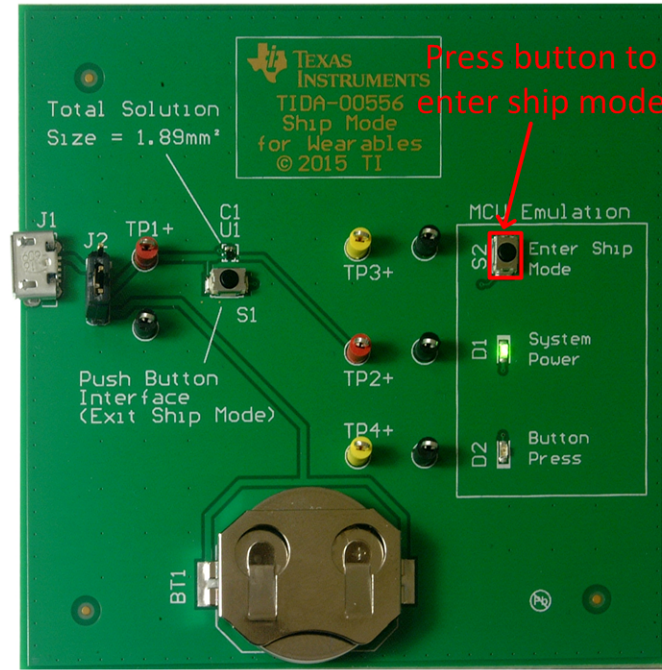


图 11. Configuration for Entering Ship Mode

6.3 Exit Ship Mode

图 12 shows the system connected in exit ship mode to observe the system power and control signals while exiting ship mode. The device is in ship mode, and the *Exit Ship Mode* button is pressed.

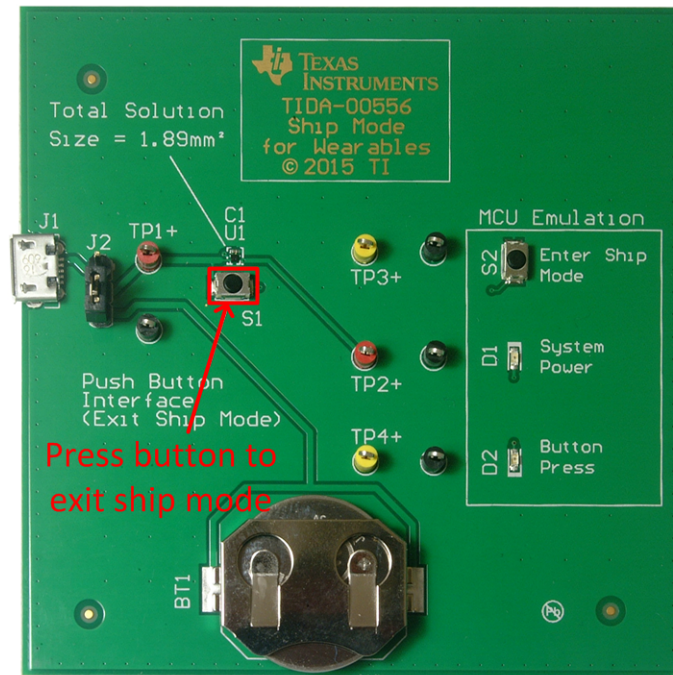


图 12. Configuration for Exiting Ship Mode

6.4 Quiescent Current Testing

To measure the quiescent current draw, a source meter was used to power the circuit and the system was kept in the exit ship mode state. Disconnect the load from the solution to get accurate measurements of the device itself. The source meter voltage was swept, and the current supplied was recorded for each voltage.

图 13 shows the configuration for quiescent current measurements.

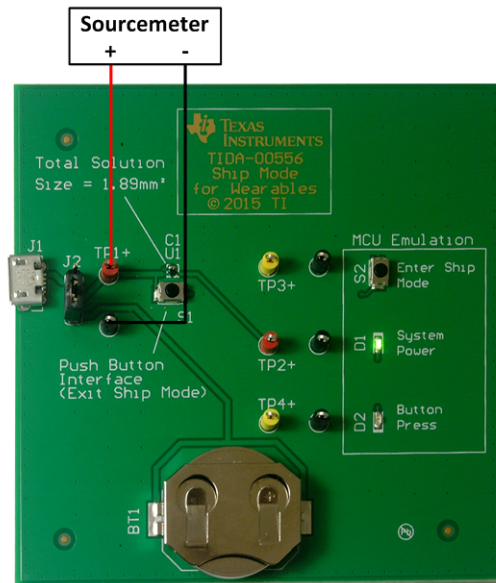


图 13. Configuration for Quiescent Current Measurements

7 Test Data

7.1 Shutdown Current

表 2 lists the ship mode shutdown current data acquired through testing. For typical and max shutdown current values refer to the data sheet.

表 2. Ship Mode Shutdown Current Data

INPUT VOLTAGE (V)	SHUTDOWN CURRENT (nA)
5.5	5.1
5	3.3
4.35	2.45
4.2	2.2
3.3	1.85
2.5	1.45
1.8	1.35
1.2	1.2
1	1.2

图 14 shows the shutdown current plot.

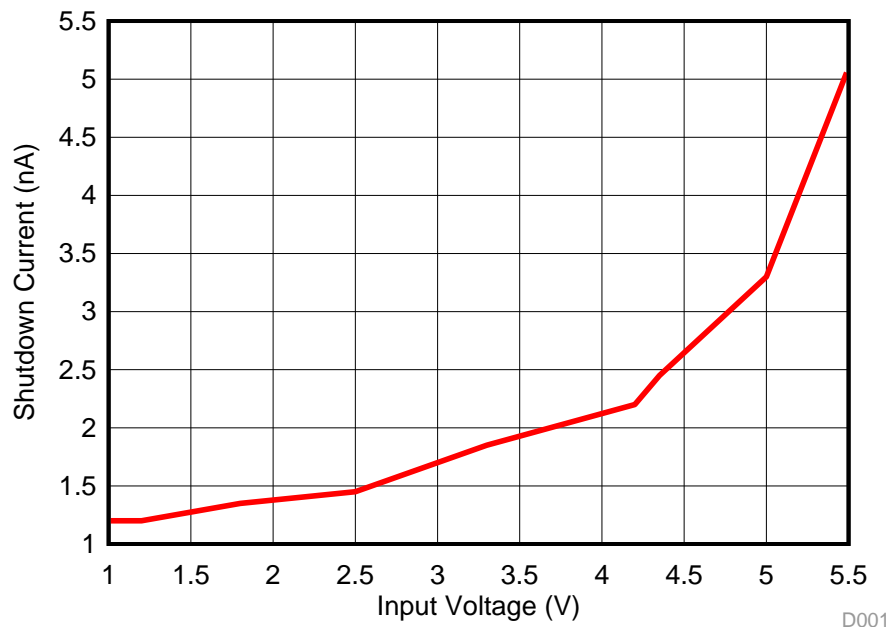


图 14. Shutdown Current Across Input Voltage

7.2 Enter Ship Mode

System Power, measured at test point 2, is the output signal of the load switch.

On, measured at test point 3, is the voltage at the ON pin of the load switch.

Button Press, measured at test point 4, toggles when the *Exit Ship Mode Button* is pressed.

图 15 shows the scope capture of the system entering ship mode as described in 4.2 节.

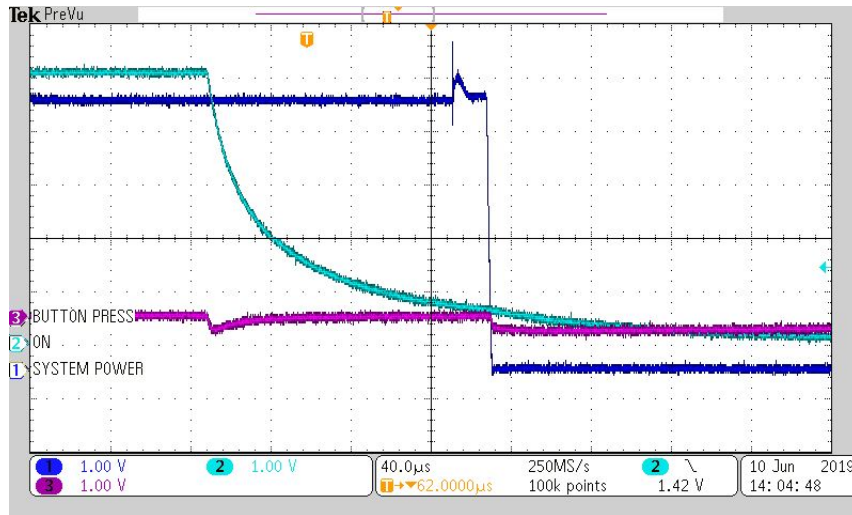


图 15. Scope Capture of the System Entering Ship Mode

7.3 Exit Ship Mode

To replicate the load switch functionality in a circuit the LED load was replaced with a resistive load.

图 16 shows the scope capture of the system exiting ship mode as described in 4.1 节.

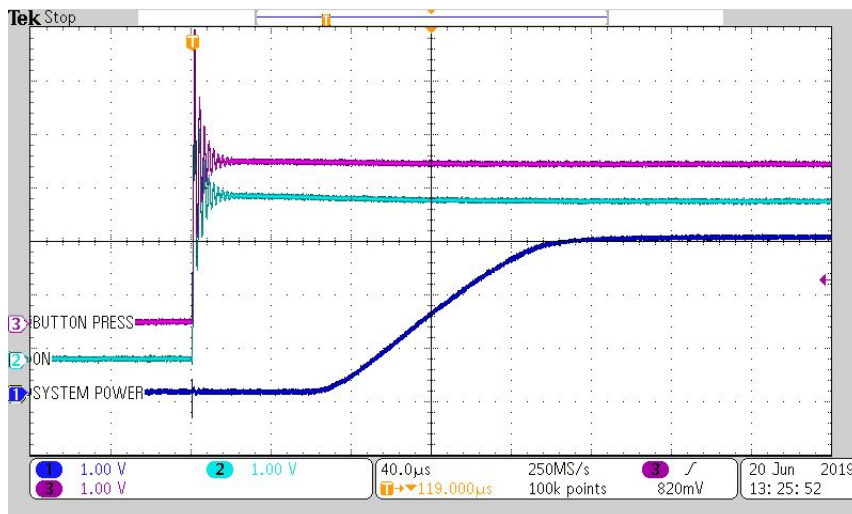


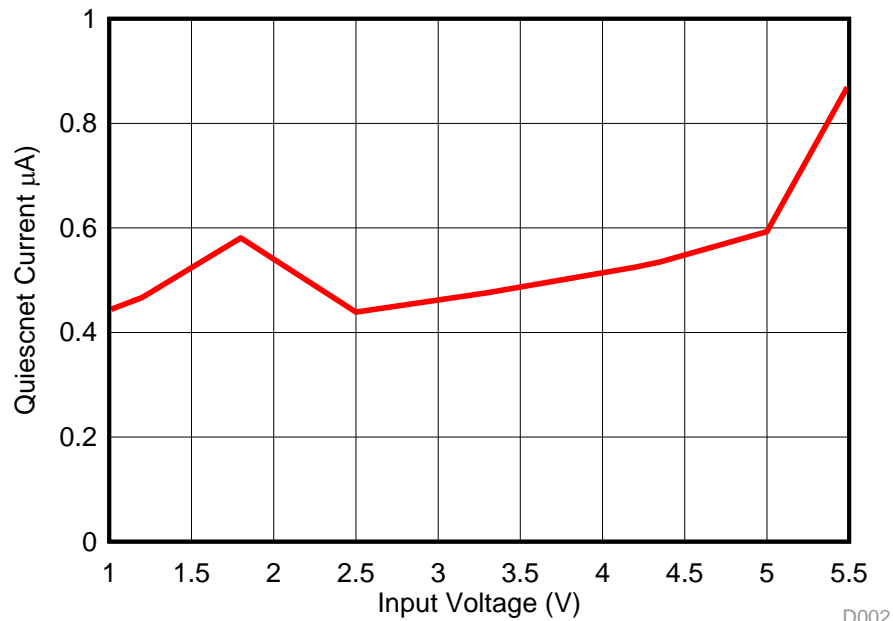
图 16. Scope Capture of the System Exiting Ship Mode

7.4 Quiescent Current Testing

表 3 列出了船模待机模式的静态电流数据，图 17 显示了静态电流随输入电压变化的曲线，其值不会超过 1 μA 。

表 3. Ship Mode Quiescent Current Data

INPUT VOLTAGE (V)	QUIESCENT CURRENT (μA)
5.5	.876
5	.593
4.35	.535
4.2	.525
3.3	.476
2.5	.439
1.8	.581
1.2	.467
1	.433



D002

图 17. Quiescent Current Across Input Voltage

8 Design Files

8.1 Schematics

To download the schematic, see the design files at [TIDA-00556](#). 图 18 shows the ship mode schematic.

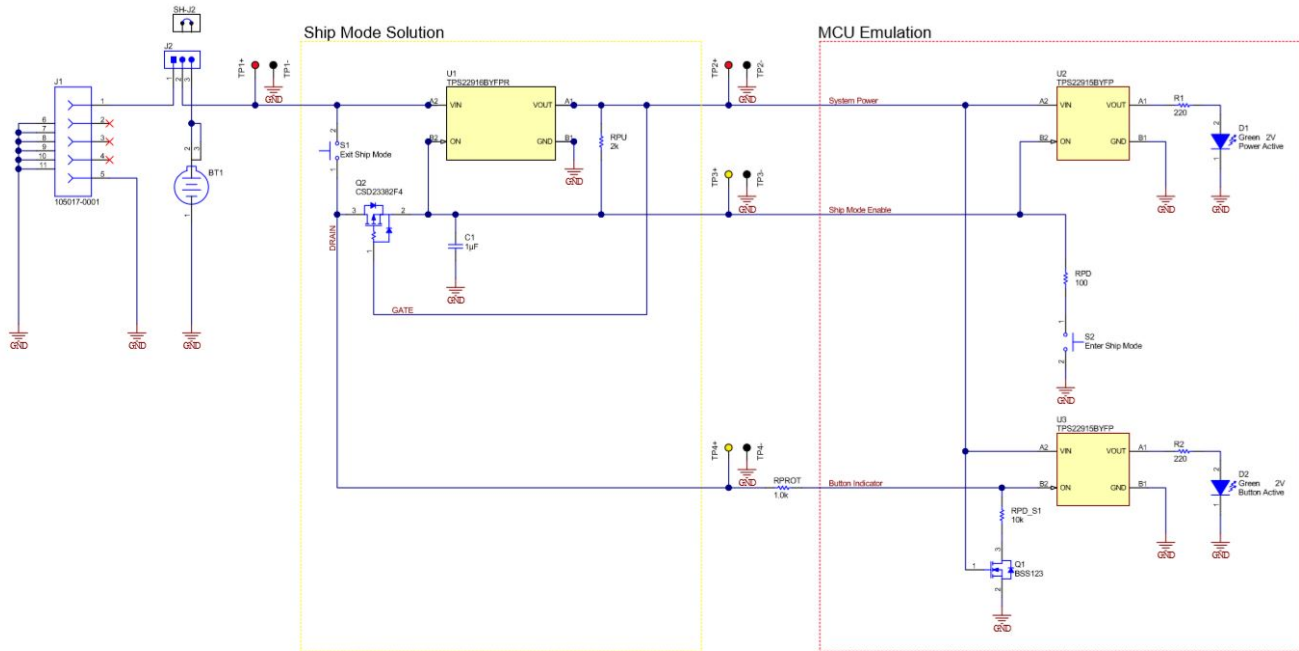


图 18. Ship Mode Schematic

8.2 Bill of Materials

To download the BOM, see the design files at [TIDA-00556](#).

8.3 PCB Layout Recommendations

- Ensure input and output voltage traces load switches are as wide as possible to minimize series resistance and inductance for high-current applications.
- Place bypass capacitors as close to the device pins as possible.

9 References

- Texas Instruments, [Basics of Load Switches](#)
- Texas Instruments, [TPS22916xx, 1-V - 5.5-V, 2-A, 60-mΩ Ultra-Low Leakage Load Switch](#)

9.1 商标

E2E is a trademark of Texas Instruments.
All other trademarks are the property of their respective owners.

10 Terminology

Ship Mode—A low-power state to prolong battery life during shipment.

11 About the Authors

ALEK KAKNEVICIUS is an applications engineer at TI, where he answers technical questions about load switches from the TPS229xx family. He received his Bachelor of Science in Electrical Engineering (BSEE) and Master of Science in Electrical Engineering (MSEE) at the University of Florida in Gainesville, FL.

BRIAN LACKEY is a validation engineer at TI, where he validates load switches from the TPS229xx family. Brian earned his Bachelor of Science in Electrical Engineering (BSEE) from Rose-Hulman Institute of Technology in Terre Haute, IN.

NICK MORIN is a validation engineer at TI, where he validates load switches from the TPS229xx family. Nick is working toward his Bachelor of Science in Electrical Engineering (BSEE) from the University of Texas at Austin in Austin, TX.

SAMANTHA WATKINS is a product marketing engineer at TI, where she promotes load switches from the TPS229xx family. Samantha received her Bachelor of Science in Computer Engineering (BSCpE) and her Master of Science in Computer Engineering (MSCpE) at Southern Methodist University in Dallas, TX.

修订历史记录

注：之前版本的页码可能与当前版本有所不同。

Changes from Original (November 2015) to A Revision	Page
• TPS22916B 器件代替了 TIDA-00556 参考设计中的 TPS22915B 器件。	1
• Replaced the TPS22915B device with the TPS22916B device in 1.1 节 , <i>TPS22916B</i>	2
• Updated entire <i>Test Data</i> section.	14

重要声明和免责声明

TI 均以“原样”提供技术性 & 可靠性数据（包括数据表）、设计资源（包括参考设计）、应用或其他设计建议、网络工具、安全信息和其他资源，不保证其中不含任何瑕疵，且不做任何明示或暗示的担保，包括但不限于对适销性、适合某特定用途或不侵犯任何第三方知识产权的暗示担保。

所述资源可供专业开发人员应用 TI 产品进行设计使用。您将对以下行为独自承担全部责任：(1) 针对您的应用选择合适的 TI 产品；(2) 设计、验证并测试您的应用；(3) 确保您的应用满足相应标准以及任何其他安全、安保或其他要求。所述资源如有变更，恕不另行通知。TI 对您使用所述资源的授权仅限于开发资源所涉及 TI 产品的相关应用。除此之外不得复制或展示所述资源，也不提供其它 TI 或任何第三方的知识产权授权许可。如因使用所述资源而产生任何索赔、赔偿、成本、损失及债务等，TI 对此概不负责，并且您须赔偿由此对 TI 及其代表造成的损害。

TI 所提供产品均受 TI 的销售条款 (<http://www.ti.com.cn/zh-cn/legal/termsofsale.html>) 以及 [ti.com.cn](http://www.ti.com.cn) 上或随附 TI 产品提供的其他可适用条款的约束。TI 提供所述资源并不扩展或以其他方式更改 TI 针对 TI 产品所发布的可适用的担保范围或担保免责声明。

邮寄地址：上海市浦东新区世纪大道 1568 号中建大厦 32 楼，邮政编码：200122
Copyright © 2019 德州仪器半导体技术（上海）有限公司

重要声明和免责声明

TI 均以“原样”提供技术性数据（包括数据表）、设计资源（包括参考设计）、应用或其他设计建议、网络工具、安全信息和其他资源，不保证其中不含任何瑕疵，且不做任何明示或暗示的担保，包括但不限于对适销性、适合某特定用途或不侵犯任何第三方知识产权的暗示担保。

所述资源可供专业开发人员应用TI 产品进行设计使用。您将对以下行为独自承担全部责任：(1) 针对您的应用选择合适的TI 产品；(2) 设计、验证并测试您的应用；(3) 确保您的应用满足相应标准以及任何其他安全、安保或其他要求。所述资源如有变更，恕不另行通知。TI 对您使用所述资源的授权仅限于开发资源所涉及TI 产品的相关应用。除此之外不得复制或展示所述资源，也不提供其它TI 或任何第三方的知识产权授权许可。如因使用所述资源而产生任何索赔、赔偿、成本、损失及债务等，TI 对此概不负责，并且您须赔偿由此对TI 及其代表造成的损害。

TI 所提供产品均受TI 的销售条款 (<http://www.ti.com.cn/zh-cn/legal/termsofsale.html>) 以及ti.com.cn上或随附TI产品提供的其他可适用条款的约束。TI提供所述资源并不扩展或以其他方式更改TI 针对TI 产品所发布的可适用的担保范围或担保免责声明。

邮寄地址：上海市浦东新区世纪大道 1568 号中建大厦 32 楼，邮政编码：200122
Copyright © 2019 德州仪器半导体技术（上海）有限公司