



**说明**

该参考设计提供了适用于汽车后灯应用且具有成本效益的解决方案，例如交互式尾灯仪表组，相应方案有助于实现未来的汽车安全并提高车辆设计个性化程度。此参考设计包括两个线性 LED 驱动器。通过使用控制器局域网 (CAN) 物理层（也可使用本地互连网络 (LIN)），LED 驱动器基于 UART 的 FlexWire 接口可轻松实现长距离的非板载通信，而不会影响 EMI 性能。

**资源**

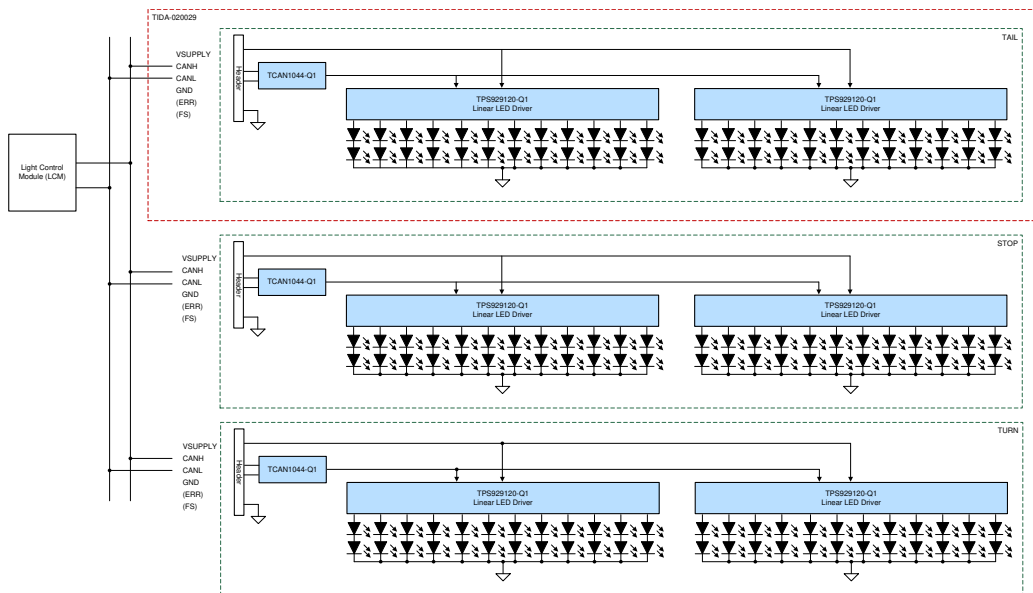
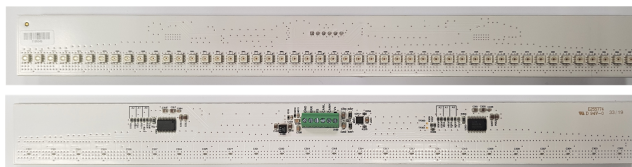
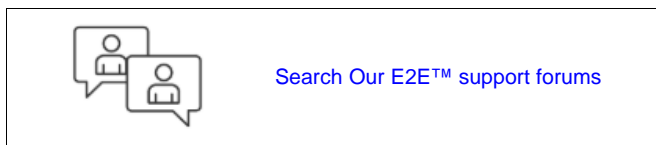
- |                              |       |
|------------------------------|-------|
| <a href="#">TIDA-020029</a>  | 设计文件夹 |
| <a href="#">TPS929120-Q1</a> | 产品文件夹 |
| <a href="#">TCAN1042-Q1</a>  | 产品文件夹 |
| <a href="#">TLIN1029-Q1</a>  | 产品文件夹 |

**特性**

- 高像素，该设计可驱动：
  - 48 个 LED（每通道两个）
- 为每个 LED 通道设置全功能：
  - 诊断和保护
  - 脉宽调制 (PWM) 调光
  - 精密电流设置
- 基于 UART 的 FlexWire 接口：
  - 每条 FlexWire 总线可支持多达 17 个器件

**应用**

- [尾灯 - 数字接口 LED 驱动模块](#)
- [车内灯 - 环境照明模块](#)



该 TI 参考设计末尾的重要声明表述了授权使用、知识产权问题和其他重要的免责声明和信息。

## 1 System Description

This reference design incorporates two linear LED drivers. By using a controller area network (CAN) physical layer (or a local interconnect network (LIN) optionally), the UART-based FlexWire interface of the LED drivers make it possible to avoid using a local microcontroller and still easily accomplish long-distance, off-board communication. The topology in this reference design offers a cost-effective solution for automotive rear-light applications such as interactive tail-light clusters.

### 1.1 Key System Specifications

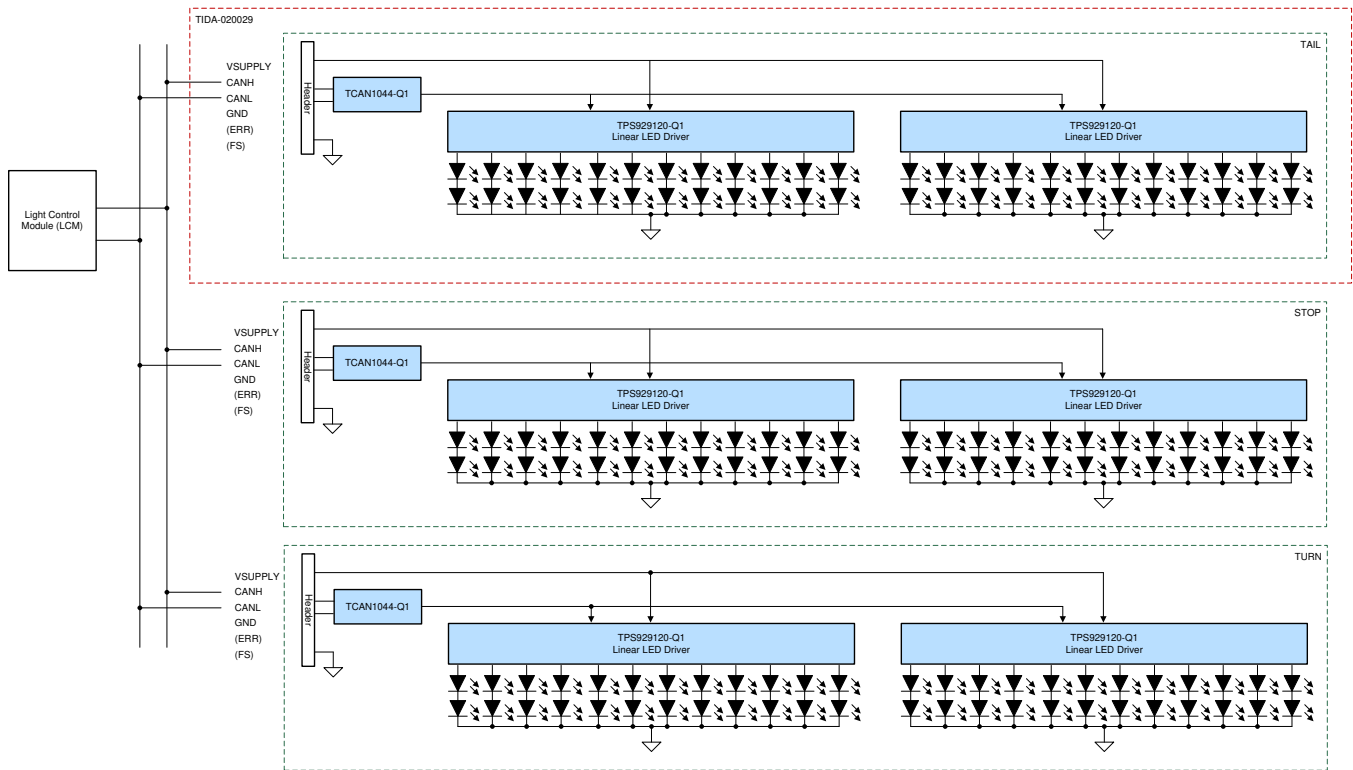
表 1. Key System Specifications

PARAMETER	SPECIFICATIONS
DC input voltage range	4.5 V - 40 V
LDO output voltage	5 V
LED current	6 mA - 50 mA
Operating ambient temperature	-40°C to 85°C
PCB form factor	26.75 mm x 133.75 mm (2 layers)

## 2 System Overview

### 2.1 Block Diagram

图 1. TIDA-020029 Block Diagram



### 2.2 Design Considerations

To simplify this reference design and to increase flexibility for use in a variety of applications, the board consists of two linear LED drivers that are connected to the same communication bus and use LIN or CAN transceiver for off-board communication. This board format has a simple connector interface, which allows this reference design to be evaluated with any selected MCU-Control board with a transceiver on it.

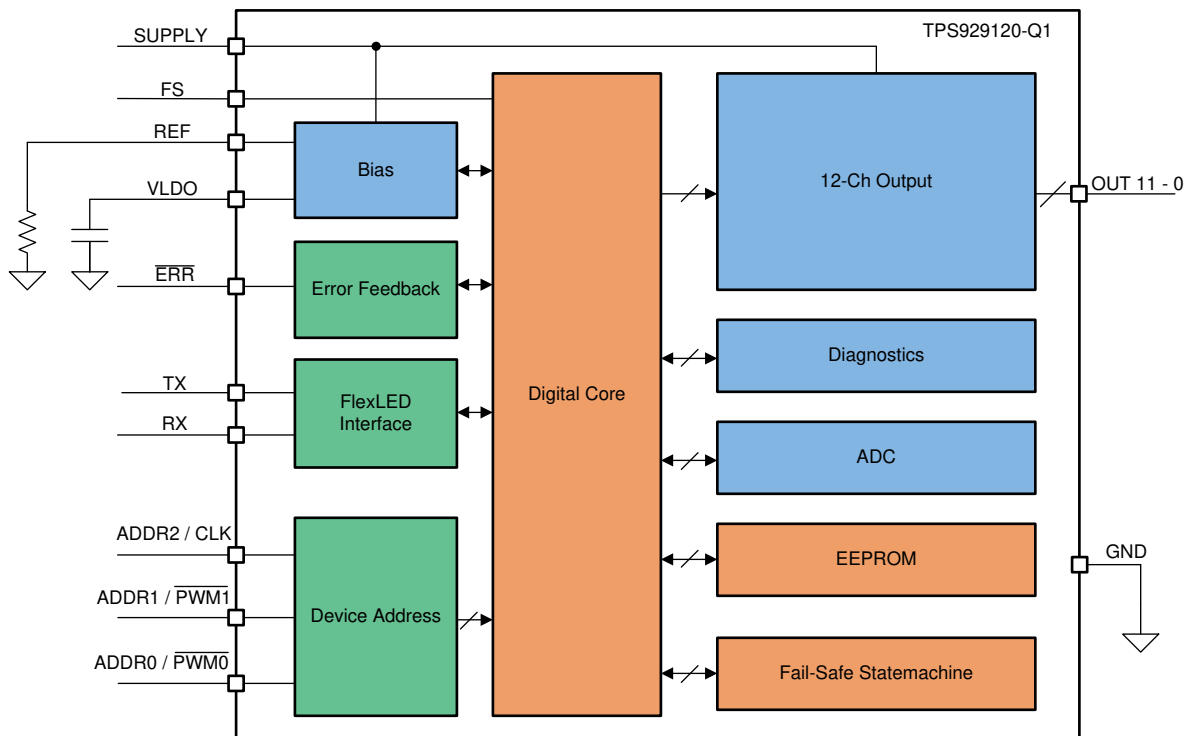
For ease of testing, the reference design board includes 48 LEDs with two on each output channel. Each channel can be controlled individually.

## 2.3 Highlighted Products

### 2.3.1 TPS929120-Q1 Linear LED Driver

The TPS929120-Q1 is a 12-channel, 40-V high-side LED driver that controls the 8-bit output current and 12-bit PWM duty cycles. The device meets multiple regulation requirements with LED open-circuit, short-to-ground, and single LED short-circuit diagnostics. A configurable watchdog also automatically sets failsafe states when the MCU connection is lost, and, with programmable EEPROM, TPS929120-Q1 can flexibly be set for different application scenarios.

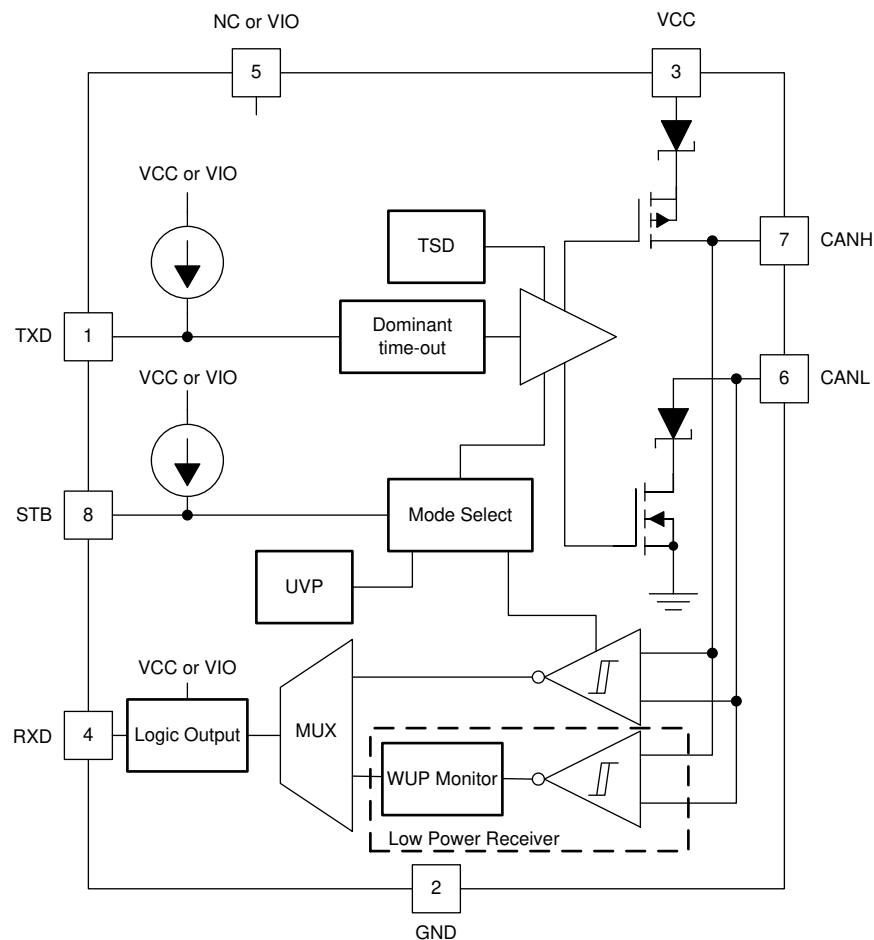
图 2. TPS929120-Q1 Block Diagram



### 2.3.2 TCAN104x-Q1 CAN Transceiver

This CAN transceiver family meets the ISO11898-2 high-speed CAN (Controller Area Network) physical layer standard. All devices are designed for use in CAN FD networks up to 2 Mbps (megabits per second). Devices with part numbers that include the *G* suffix are designed for data rates up to 5 Mbps, and versions with the *V* suffix have a secondary power supply input for I/O level shifting the input pin thresholds and RXD output level. This family has a low power standby mode with a remote wake request feature. Additionally, all devices include many protection features to enhance device and network robustness.

图 3. TCAN104x-Q1 Block Diagram

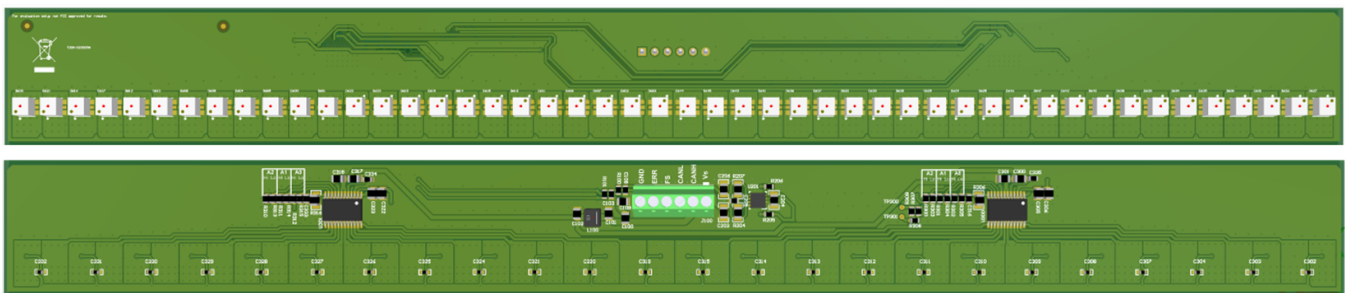


## 2.4 System Design Theory

This reference design uses a two-layer printed circuit board (PCB) where the LEDs are placed on the top layer and all of the other components are placed on the bottom layer. The PCB integrates 48 LEDs with two LEDs on each channel that can be controlled individually. The PCB is not intended to fit any particular form factor and has dimensions of 26.75 mm x 133.75 mm. The primary objective of the design with regards to the PCB is to make a solution that is compact while still providing a way to test the performance of the board. The size of the solution can be further reduced in this design. 图 4 shows a 3D rendering of the PCB.

Because each FlexWire bus can support 16 devices, it is possible to use them on one communication bus in up to 8 reference designs.

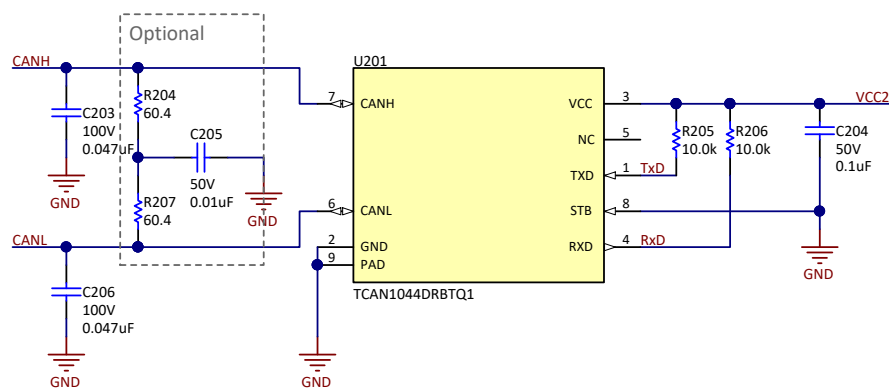
图 4. 3D Render of TIDA-020029



### 2.4.1 TCAN1044-Q1 Automotive High Speed CAN Transceiver

The TCAN1044x-Q1 devices are high-speed controller area network (CAN) transceivers that meet the physical layer requirements of the ISO 11898- 2:2016 high speed CAN specification providing an interface between the CAN bus and a CAN protocol controller.

图 5. TCAN1044-Q1 CAN Transceiver Schematic

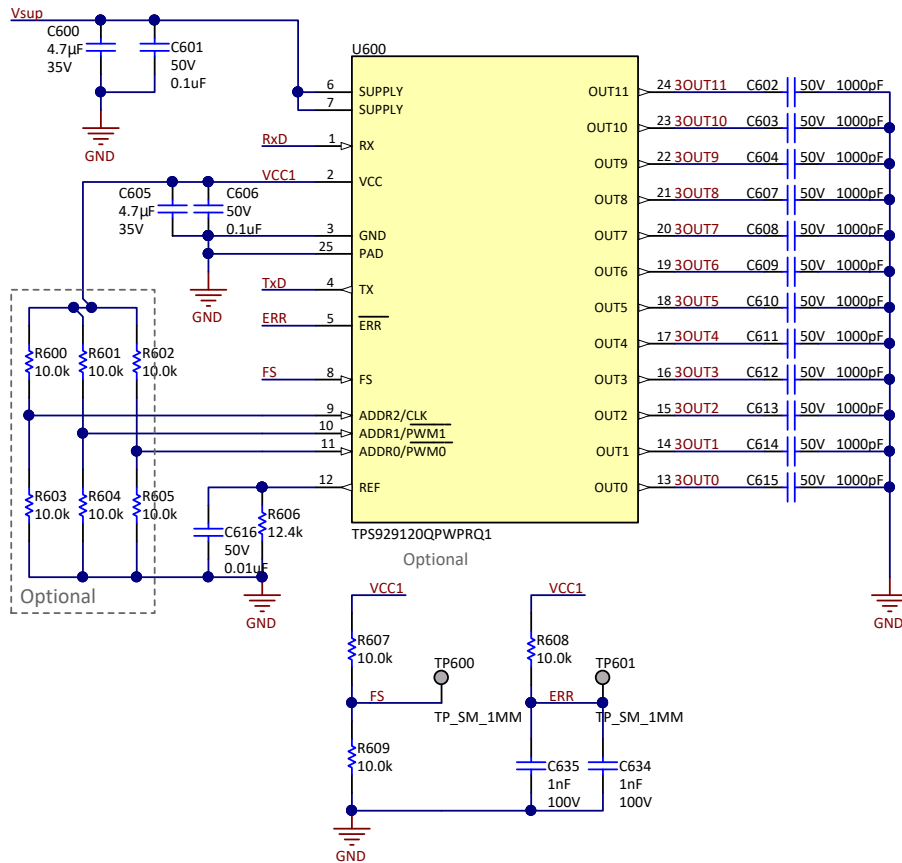


In this reference design, a CAN transceiver is supplied by 5 V on the VCC pin from the internal LDO of the TPS929120-Q1 device. The pull-up resistor R205 and R206 are required for the UART interface between the TCAN1044-Q1 and TPS929120-Q1. For the CAN transceiver in this design, the standard input filter is used.

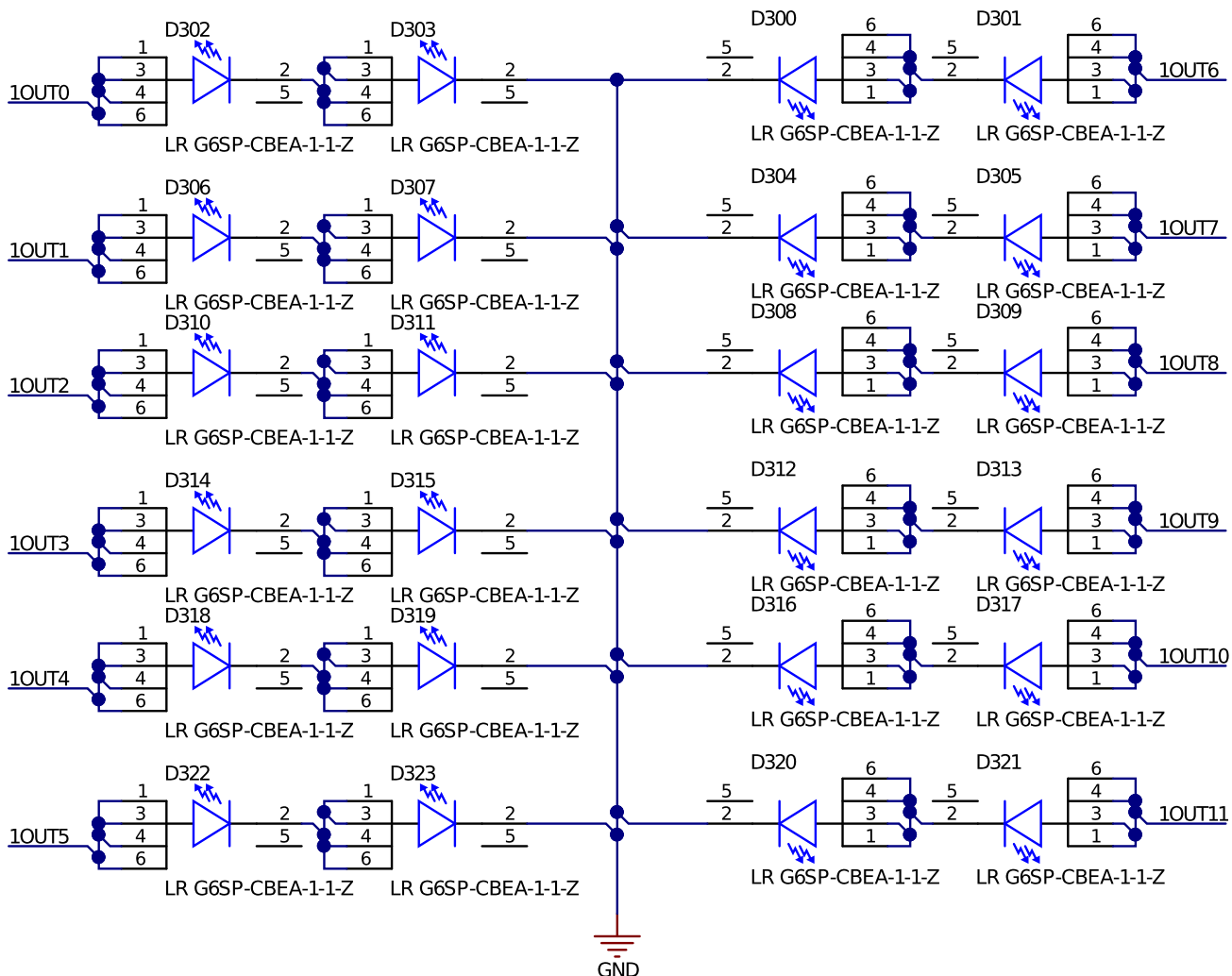
### 2.4.2 TPS929120-Q1 Linear LED Driver

This section describes how to design with the TPS929120-Q1 linear LED driver. 图 6 shows the schematic for one linear LED driver used in this reference design.

图 6. TPS929120-Q1 Linear LED Driver Schematic



Each channel of the TPS929120-Q1 is capable of sinking a maximum of 75 mA. In this reference design, two LEDs (OSRAM LR G6SP) are in series connected to each channel shown in 图 7, meaning that both LEDs apply the same current and the same dimming level (PWM value). The DC current can be programmed using an external resistor R616 connected between the REF pin and GND. In this design, the maximum LED current is set to 50 mA.

**图 7. Schematic of 24 LEDs**


Every TPS929120-Q1 has a unique address used for the communication on the FlexWire bus. Each FlexWire bus supports a maximum of 16 slave devices. The TPS929120-Q1 has 3 pinouts, including ADDR2, ADDR1, and ADDR0, for device address configuration. There are additional 4-bit EEPROM registers to program the slave address of the TPS929120-Q1. The EEPROM register EEP\_INTADDR sets the device slave address by either address pins setup or internal EEPROM register code. On this reference design board, external pull-up and pull-down resistors are available that are already connected to the ADDR<sub>x</sub> pins (R610, R611, R612, R613, R614, R615) to set the unique address for each individual device on the communication bus. Either a pull-up or a pull-down resistor should be removed from each address pin.

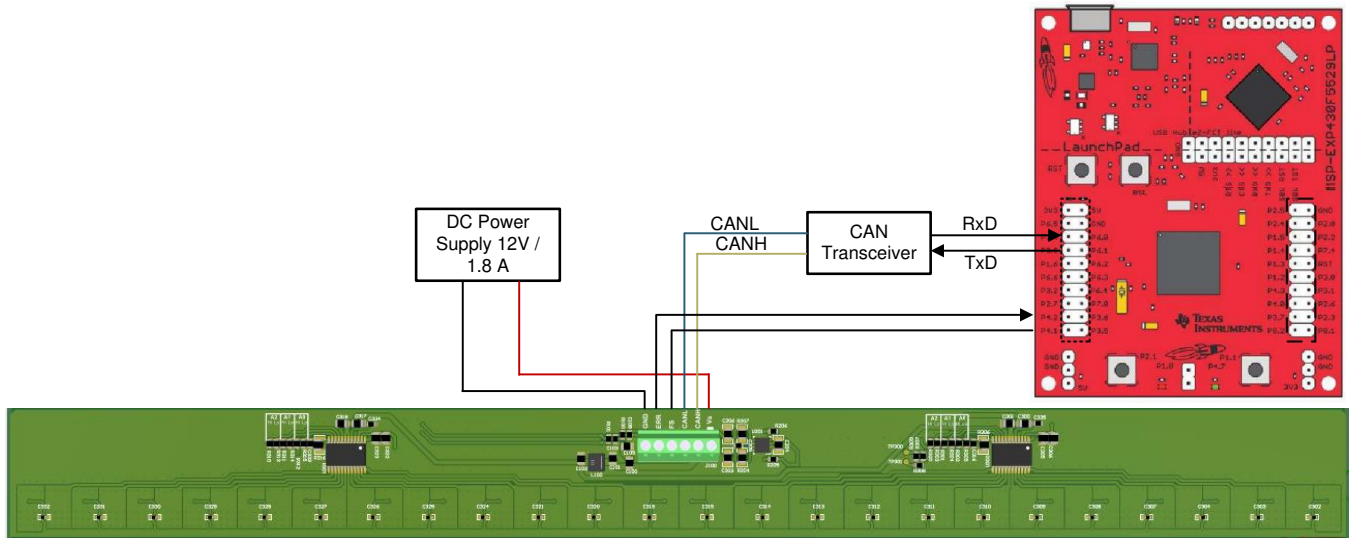


### 3 Hardware, Software, Testing Requirements, and Test Results

#### 3.1 Required Hardware and Software

This reference design must be connected to a 12-V power supply and to a communication bus. 图 8 shows the default test setup of this reference design. In this test setup, an MSP430 LaunchPad™ is used as a master device, which is also connected to the same communication bus through a TCAN1044-Q1 device.

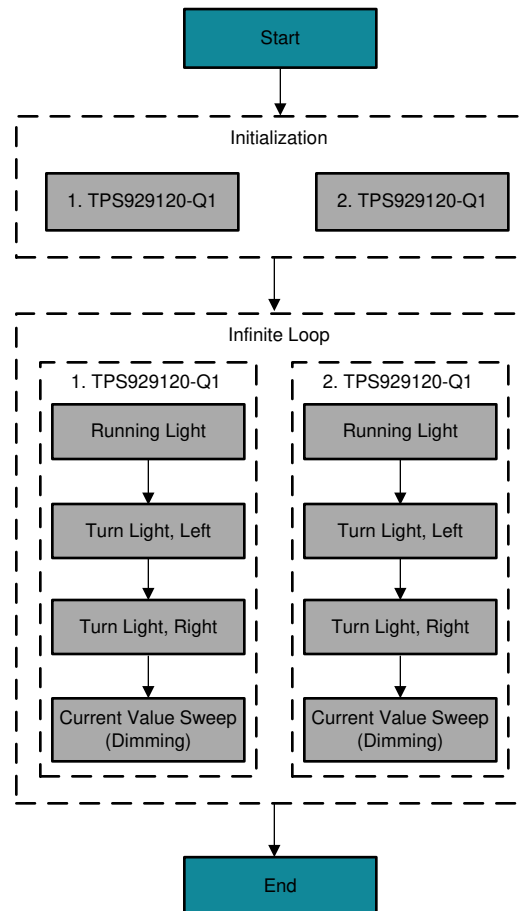
图 8. Hardware Test Setup



### 3.1.1 Software

Special testing software was created for this design that controls the LED drivers through the UART (FlexWire). The software is structured in such a way that the MCU first initializes both TPS929120-Q1 and then sets the values for the set of registers so that all 48 LEDs (24 channels, 2 LED-Drivers) can represent various patterns, such as sequential turn light, dimming light, and running light, where the output channels are switched on one after the other. The flow chart in 图 9 shows the simplified structure of the software.

图 9. Software Flow Chart



## 3.2 Testing and Results

### 3.2.1 Thermal Performance

图 10 和 图 11 显示 TPS929120-Q1 的热行为，当所有通道都输出由外部电阻器在 TPS929120-Q1 上设置的最大电流时。

图 10. TPS929120-Q1

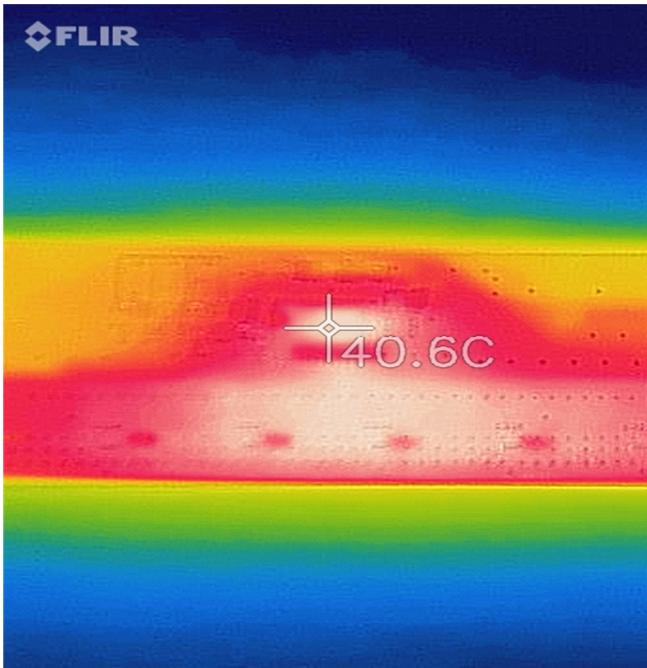
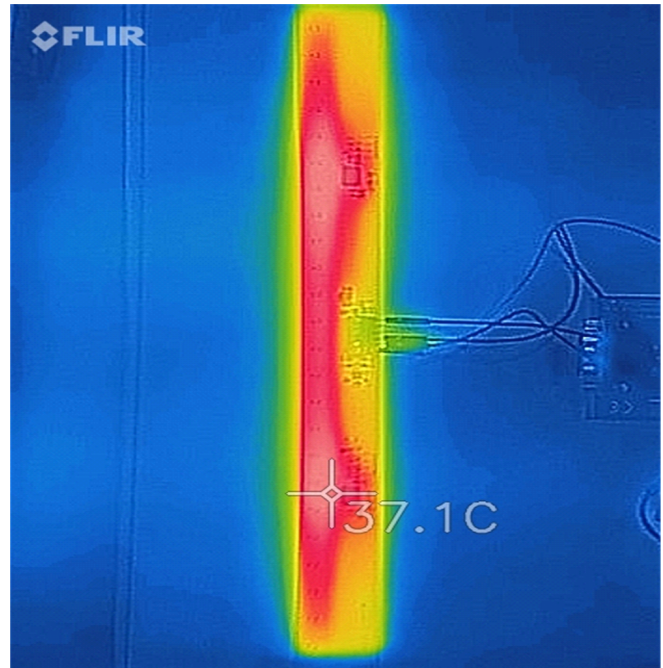


图 11. TIDA-020029 With Two TPS929120-Q1



## 4 Design Files

### 4.1 Schematics

To download the schematics, see the design files at [TIDA-020029](#).

### 4.2 Bill of Materials

To download the bill of materials (BOM), see the design files at [TIDA-020029](#).

### 4.3 PCB Layout Recommendations

#### 4.3.1 Layout Prints

To download the layer plots, see the design files at [TIDA-020029](#).

### 4.4 Altium Project

To download the Altium Designer® project files, see the design files at [TIDA-020029](#).

### 4.5 Gerber Files

To download the Gerber files, see the design files at [TIDA-020029](#).

### 4.6 Assembly Drawings

To download the assembly drawings, see the design files at [TIDA-020029](#).

## 5 Software Files

To download the software files, see the design files at [TIDA-020029](#).

## 6 Related Documentation

1. [TPS929120-Q1 12-Channel Automotive 40-V High-Side LED Driver Data Sheet](#)
2. [TCAN1042-Q1 Automotive Fault Protected CAN Transceiver With CAN FD Data Sheet](#)

### 6.1 商标

E2E, LaunchPad are trademarks of Texas Instruments.  
Altium Designer is a registered trademark of Altium LLC or its affiliated companies.

### 6.2 Third-Party Products Disclaimer

TI'S PUBLICATION OF INFORMATION REGARDING THIRD-PARTY PRODUCTS OR SERVICES DOES NOT CONSTITUTE AN ENDORSEMENT REGARDING THE SUITABILITY OF SUCH PRODUCTS OR SERVICES OR A WARRANTY, REPRESENTATION OR ENDORSEMENT OF SUCH PRODUCTS OR SERVICES, EITHER ALONE OR IN COMBINATION WITH ANY TI PRODUCT OR SERVICE.

## 重要声明和免责声明

TI“按原样”提供技术和可靠性数据（包括数据表）、设计资源（包括参考设计）、应用或其他设计建议、网络工具、安全信息和其他资源，不保证没有瑕疵且不做任何明示或暗示的担保，包括但不限于对适销性、某特定用途方面的适用性或不侵犯任何第三方知识产权的暗示担保。

这些资源可供使用 TI 产品进行设计的熟练开发人员使用。您将自行承担以下全部责任：(1) 针对您的应用选择合适的 TI 产品，(2) 设计、验证并测试您的应用，(3) 确保您的应用满足相应标准以及任何其他功能安全、信息安全、监管或其他要求。

这些资源如有变更，恕不另行通知。TI 授权您仅可将这些资源用于研发本资源所述的 TI 产品的应用。严禁对这些资源进行其他复制或展示。您无权使用任何其他 TI 知识产权或任何第三方知识产权。您应全额赔偿因在这些资源的使用中对 TI 及其代表造成的任何索赔、损害、成本、损失和债务，TI 对此概不负责。

TI 提供的产品受 [TI 的销售条款](#) 或 [ti.com](#) 上其他适用条款/TI 产品随附的其他适用条款的约束。TI 提供这些资源并不会扩展或以其他方式更改 TI 针对 TI 产品发布的适用的担保或担保免责声明。

TI 反对并拒绝您可能提出的任何其他或不同的条款。

邮寄地址：Texas Instruments, Post Office Box 655303, Dallas, Texas 75265

Copyright © 2022，德州仪器 (TI) 公司