

设计指南: TIDA-050039

适用于锂离子电池的单节电池太阳能电池板能量收集参考设计



说明

TIDA-050039 参考设计展示了如何通过结合使用完全集成的同步升压转换器 TPS61089 和单节电池太阳能电池板, 为高输出功率应用的锂离子电池充电。它还采用了最大功率点 (MPP) 采样网络来动态控制输入电压, 从而对太阳能电池板的电能传输进行优化。通过使用具有高电流能力的高效升压转换器 TPS61089, 锂离子电池的最大充电电流可高达 200mA。节省了总解决方案成本。此外还讨论了详细的设计原理、组件选择和测试结果。

资源

TIDA-050039	设计文件夹
TPS61089	产品文件夹
LPV321-N	产品文件夹
TLV7042	产品文件夹
REF3312	产品文件夹
CSD25480F3	产品文件夹

特性

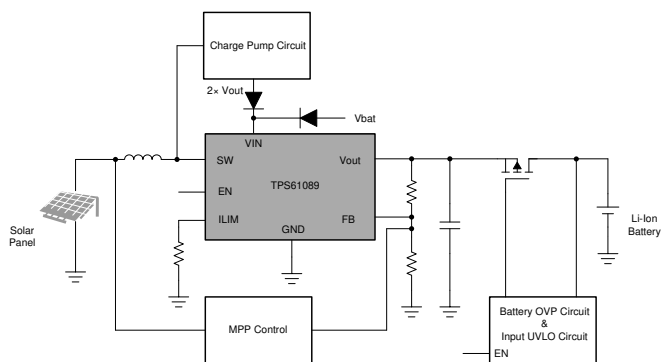
- 低工作输入电压范围: 0.4V 至 0.6V
- 固定最大功率点 (MPP)
- 最大充电电流高达 200mA
- 低成本
- 简单、灵活

应用

- [其他能量采集](#)



[Search Our E2E™ support forums](#)



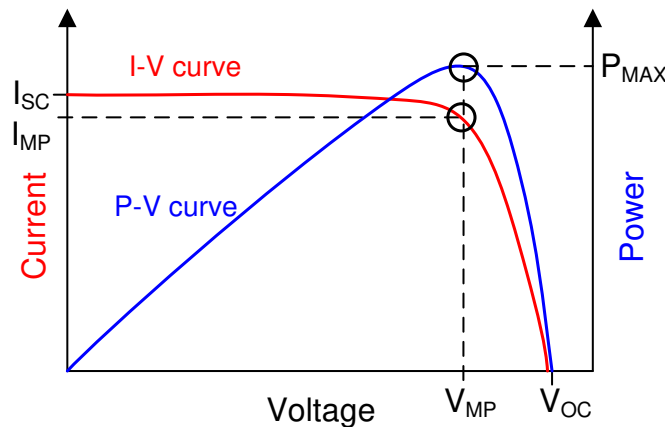
该 TI 参考设计末尾的重要声明表述了授权使用、知识产权问题和其他重要的免责声明和信息。

1 System Description

In general, the power that can be drawn from a single cell solar panel depends on the physical size, cell numbers in parallel and type of the cell – the smaller the solar size, the less power it can deliver. For some applications, it can be beneficial to use solar cells in series to increase the module output voltage instead of boosting from a single solar cell. However, power of the entire array solar panels in series would be significantly decreased if part of the solar array is shaded or broken. With the development of new, higher power intensity solar cell technology, there is a trend and requirement to extract more power from solar panels in parallel to charge Li-Ion battery.

The power output from a solar panel depends on a few parameters, such as the irradiation received by the panel voltage, panel temperature, and so forth. The power output also varies continuously throughout the day as the conditions affecting it change. 图 1 shows the I-V curve and the P-V curve of a solar panel. The I-V curve represents the relationship between the panel output current and its output voltage. The panel current is at the maximum when its terminals are shorted and is at its lowest when the terminals are open and unloaded. As 图 1 shows, when solar panel voltage times the panel output current is at the maximum, maximum power P_{max} could be obtained from the solar panel, which is known as maximum power point(MPP).

图 1. Solar Panel Characteristics I-V and P-V Curves



1.1 Key System Specifications

表 1 gives the performance specification of the TIDA-050039 reference design. The maximum battery charging current is up to 200 mA.

表 1. Key System Specifications

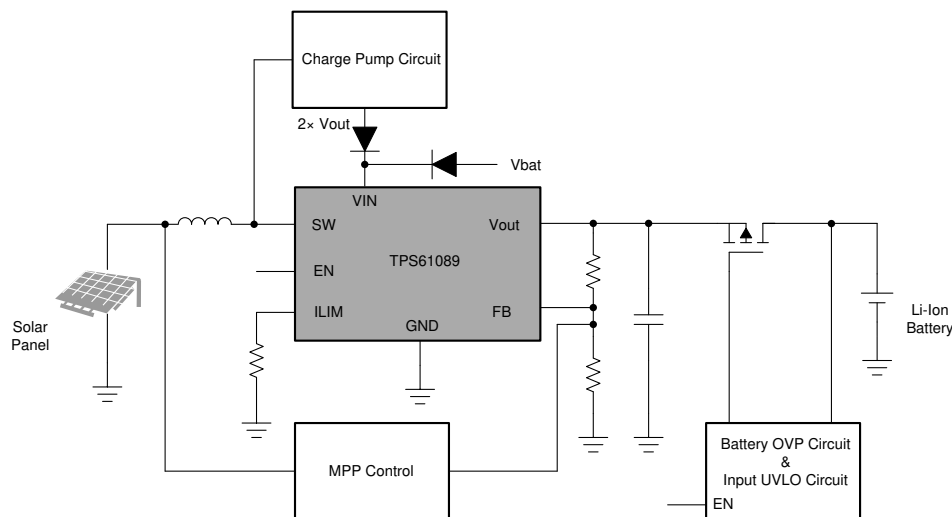
PARAMETER	DESCRIPTION
Solar panel voltage range	0.4 V - 0.55 V
Fixed MPP voltage	0.45 V
Li-Ion battery voltage range	3.0 V - 4.2 V
Li-Ion battery charging current	200 mA maximum

2 System Overview

2.1 Block Diagram

图 2 shows the block diagram of TIDA-050039. Since the boost converter TPS61089 input voltage undervoltage lockout (UVLO) rising threshold is 2.7 V, Li-Ion battery voltage could be used as input voltage of TPS61089 assumed Li-Ion battery minimum voltage is higher than 3.0 V. Once it starts up and keeps switching, the discrete charge pump circuit outputs a $2 \times V_{out}$ voltage to supply Vin pin in order to decrease TPS61089 R_{dson} , therefore efficiency is increased. Energy is obtained from solar panel and stepped up to charge a Li-Ion battery with MPP control.

图 2. TIDA-050039 Block Diagram



2.2 Design Considerations

The reference design features the TPS61089, LPV321-N, TLV7042, REF3312, and CSD25480F3. The following subsections briefly summarize the key performance of each device. To find more information about each device, see their respective data sheets at [TI.com](http://www.ti.com).

2.3 Highlighted Products

2.3.1 TPS61089

The TPS61089x is a fully-integrated synchronous boost converter with a 19-m Ω main power switch and a 27-m Ω rectifier switch. The device provides a high efficiency and small size power solution for portable equipment. The TPS61089x has 7-A continuous switch current capability and provides output voltage up to 12.6 V. The TPS61089x uses adaptive constant off-time peak current control topology to regulate the output voltage. In moderate to heavy load condition, the TPS61089 works in the pulse width modulation (PWM) mode. In light load condition, the TPS61089 works in the pulse frequency modulation (PFM) mode to improve the efficiency.

- Input Voltage Range: 2.7 V to 12 V
- Adjustable Switching Frequency: 200kHz to 2.2MHz
- 4-ms Built-in Soft Start Time
- PFM Operation Mode at Light Load

- Thermal Shutdown
- 2.00-mm × 2.50 mm VQFN Hotrod Package

2.3.2 LPV321-N

LPV321-N is a lower power op amps and is the most cost effective solutions for the applications where low voltage, low power application, space saving and low price are needed. It has rail-to-rail output swing capability and the input common-mode voltage range includes ground. They all exhibit excellent speed-power ratio, achieving 152kHz of bandwidth with a supply current of only 9uA.

- Space-Saving Package
- Gain-Bandwidth Product: 152kHz
- Low Supply Current

2.3.3 TLV7042

The TLV7042 is low-voltage, nanoPower comparators. It's offer an excellent combination of speed and power, with a propagation delay of 3 μ s and a quiescent supply current of 315 nA. The benefit of fast response time at nanoPower enables power-conscious systems to monitor and respond quickly to fault conditions. With an operating voltage range of 1.6 V to 6.5 V, these comparators are compatible with 3-V and 5-V systems.

- Wide supply voltage range of 1.6 V to 6.5 V
- Quiescent supply current of 315 nA
- Low propagation delay of 3 us
- Internal hysteresis

2.3.4 REF3312

The REF33xx is a low-power, precision, low-dropout voltage reference family available in tiny SC70-3 and SOT-23-3 packages, and in a 1.5-mm × 1.5-mm UQFN-8 package. Small size and low power consumption (5- μ A max) make the REF33xx ideal for a wide variety of portable and battery-powered applications.

The REF33xx can be operated at a supply voltage 180 mV above the specified output voltage under normal load conditions, with the exception of the REF3312, which has a minimum supply voltage of 1.7 V. All models are specified for the wide temperature range of -40°C to $+125^{\circ}\text{C}$.

- Low supply current
- Low temperature shift: 30 ppm/ $^{\circ}\text{C}$ (max)
- High initial accuracy: $\pm 0.15\%$ (max)
- 0.1-Hz to 10-Hz Noise: 35 μVpp

2.3.5 CSD25480F3

This -20-V , 110-m Ω , P-Channel FemtoFET™ MOSFET is designed and optimized to minimize the footprint in many handheld and mobile applications. This technology is capable of replacing standard small signal MOSFETs while providing a substantial reduction in footprint size.

- Low on-resistance
- Ultra-low Q_g and Q_{gd}

- Ultra-small footprint
- Low profile
- Integrated ESD protection diode

2.4 System Design Theory

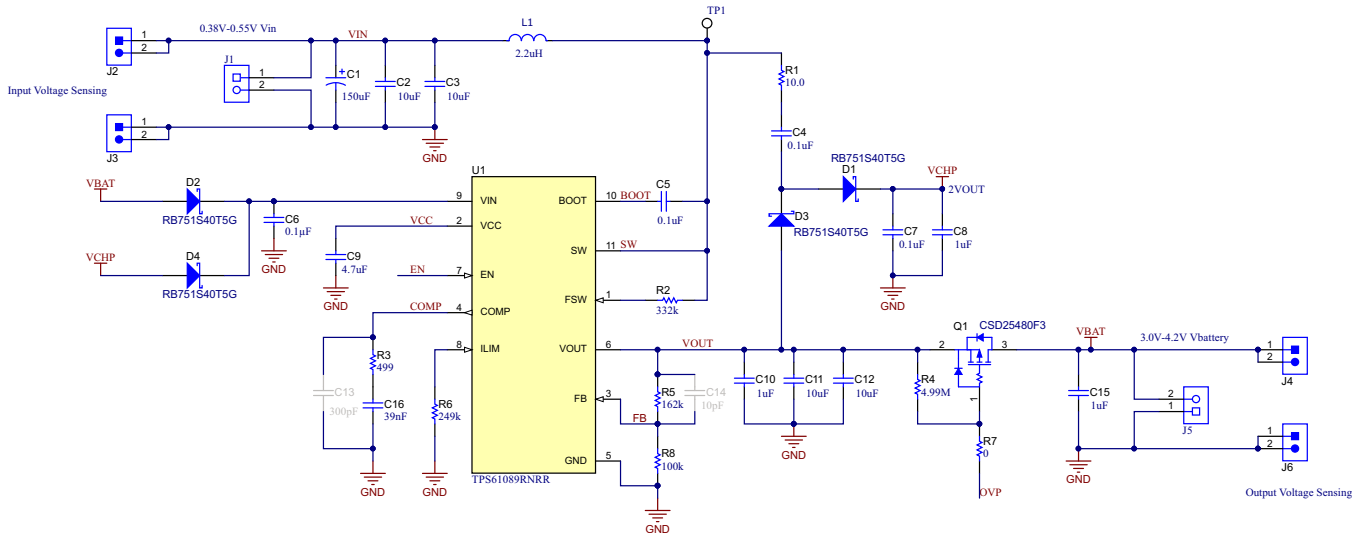
The entire schematic of TIDA-050039 can be found in the TIDA-050039 design folder. The following subsections explain the behavior of each sub circuit.

2.4.1 Boost Converter Solution

图 3 shows the TPS61089 boost converter, which is main circuit of TIDA-050039. Most of the external components are selected based on the suggestion in the data sheet. TPS61089 operates at a quasi-constant frequency pulse width modulation (PWM) in moderate to heavy load condition. Based on the V_{in} to V_{out} ratio, a circuit predicts the required off-time of the switching cycle. In light load condition, the TPS61089 implements PFM mode to improve the efficiency.

V_{BAT} supplies TPS61089 V_{in} pin through diode D2 at startup because TPS61089 input pin UVLO threshold is 2.7 V. After TPS61089 starts switching, V_{OUT} regulates equaling to Li-Ion battery voltage. The discrete charge pump circuit (composed of C4, D1, D3, C7, C8) output voltage V_{CHP} is twice of V_{out} . Once V_{CHP} is stable, diode D4 conducts so that V_{CHP} supplies TPS61089 V_{IN} pin. By doing so, TPS61089 high & low side MOSFET on-resistance would be decreased so that boost converter efficiency increases. With the external power supply for TPS61089 V_{IN} pin, the boost converter is able to keep working at power V_{in} down to 0.4 V.

The P-channel MOSFET Q1 is turned off when OVP signal is high to protect Li-Ion battery from over charging. Possible maximum output current depends on the input-to-output voltage ratio. This circuit provides output current up to 200 mA.

图 3. TPS61089 Boost Converter


2.4.2 Fixed MPP Circuit

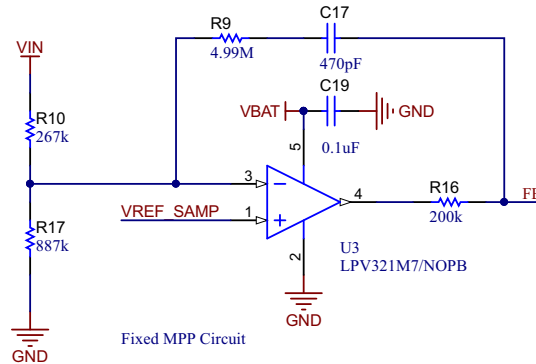
Due to the high conversion ratio which is necessary to boost from 0.4 V to 0.55 V to a suitable supply voltage for Li-ion battery up to 4.2 V, the input current is increasing as high as possible. Without additional control, the output voltage of the solar panel collapses. The DC-DC converter basically shorts the solar panel because it tries to draw enough current to maintain its output voltage. This current may be more than the solar panel can provide.

To dynamically control the input current, the additional MPP circuit is added shown in 图 4. The low-power-consuming operational amplifier is powered by the Li-Ion battery. The operational amplifier output is connected to the feedback pin of TPS61089 to control the output voltage of converter depending on the input voltage of solar panel. The reference voltage V_{REF_SAMP} is generated by REF3312 in 图 5.

During steady-state conditions, the input current is proportional to the output current by the conversion ratio set by the output voltage divider. With lower input current, the MPP circuit reduces the set output voltage to a much lower value by injecting current into the feedback node. As the converter output voltage is reduced, input current is also reduced. This decreases the current pulled from the solar panel and solar panel voltage will then increase according to its I-V curve.

To keep the circuit easy, TIDA-050039 implements a fixed MPP voltage 0.45 V, approximately 0.8 times solar panel voltage at no load. The fixed MPP point could be adjusted based on solar panel type.

图 4. Fixed MPP Circuit



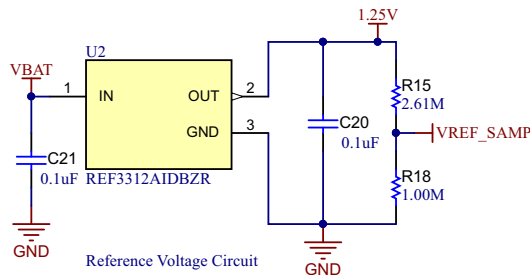
2.4.3 Reference Voltage Circuit

图 5 shows the TIDA-050039 reference voltage circuit. REF3312 is a low-power, precision, low-dropout voltage reference. It outputs 1.25 V at output. By configuring resistor dividers R15 and R18, the reference voltage V_{REF_SAMP} can be calculated using 公式 1.

$$V_{REF_SAMP} = 1.25V \times \frac{R_{18}}{R_{20} + R_{18}} \quad (1)$$

Here select R15 as 2.61 MΩ and R18 as 1.00 MΩ to establish a 0.346 V DC voltage as MPP circuit and input UVLO circuit reference voltage.

图 5. Reference Voltage Circuit

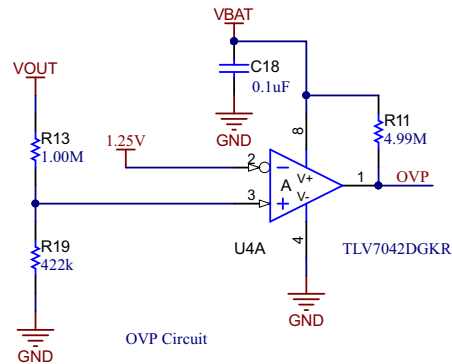


2.4.4 Battery OVP Circuit

图 6 shows the TIDA-050039 battery OVP circuit. TLV7042 is a dual-channel nanoPower comparator. By configuring resistors R13 and R19, the OVP threshold can be calculate using 公式 2.

$$V_{OVP} = 1.25V \times \frac{R_{13} + R_{19}}{R_{19}} \quad (2)$$

By selecting R13 as 1 MΩ and R19 as 422 kΩ, the OVP threshold is set to 4.212 V. Once TPS61089 output voltage is higher than 4.212 V, OVP signal will be high to turn off P-channel MOSFET Q1 to protect Li-Ion battery from over charging.

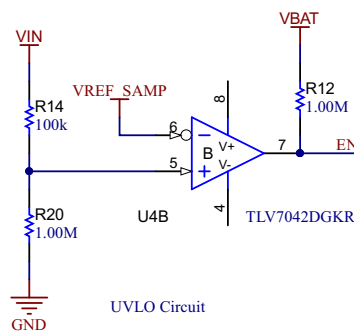
图 6. Battery OVP Circuit


2.4.5 Input Voltage UVLO Comparator Circuit

图 7 shows the TIDA-050039 input UVLO comparator circuit. When detecting input voltage of solar panel is less than a certain voltage or disconnected, TPS61089 boost converter will be disabled in order to save energy. The input voltage UVLO threshold can be calculated using 公式 3

$$V_{IN_UVLO} = 0.346V \times \frac{R_{14} + R_{20}}{R_{20}} \quad (3)$$

The input voltage UVLO threshold here is 0.381V by selecting 100 kΩ for R14 and 1.00 MΩ for R20.

图 7. Input Voltage UVLO Comparator Circuit


3 Hardware, Software, Testing Requirements, and Test Results

3.1 Required Hardware and Software

3.1.1 Hardware

This reference design uses the following hardware to do the measurement:

- Two-Source Meter
- Two DMM
- One digital oscilloscope

3.2 Testing and Results

3.2.1 Test Setup

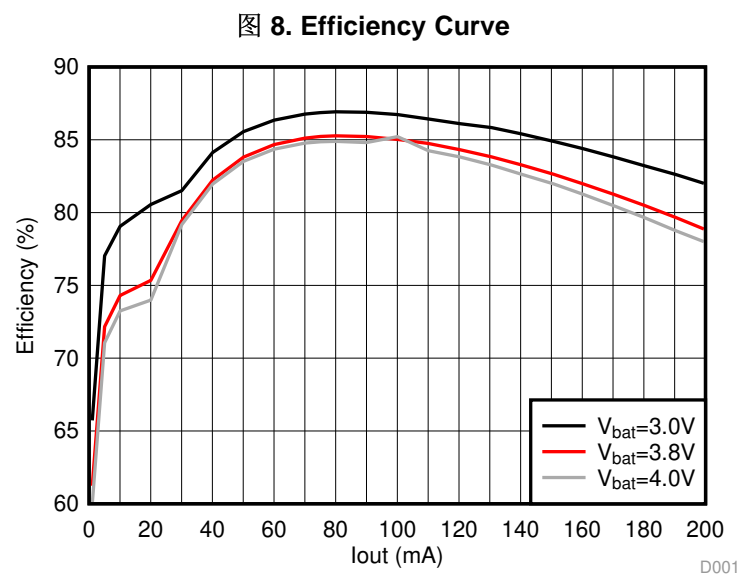
This section describes how to properly connect the setup of the TIDA-050039.

- V_{in} is connected to source meter SM1 configured as a current source with voltage compliance (clamp) set to the open circuit voltage 0.6V. The source meter SM1 simulates the solar panel behavior
- V_{out} is connected to source meter SM2 configured as a voltage source set to the battery voltage. The current sunk by the source meter was the output current of the charger. SM2 simulates the Li-Ion battery.
- Turn on the source meter SM2 to start up the boost converter.
- Turn on the source meter SM1.

3.2.2 Test Results

3.2.2.1 Efficiency Curve

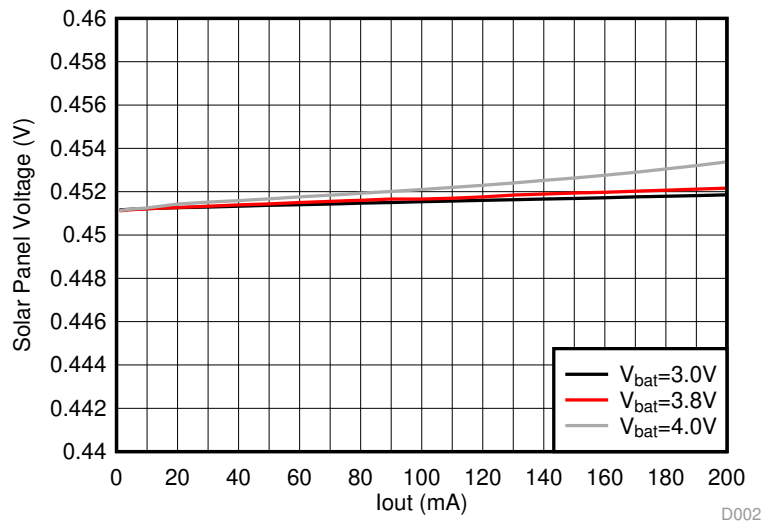
The efficiency curve is shown in 图 8 at different battery voltages.



3.2.2.2 Input Voltage VS Charging Current Curve

The solar panel input voltage VS charging current curve is shown in 图 9. Solar panel is regulated at a fixed 0.45V MPP point at different charging current conditions.

图 9. Input Voltage VS Charging Current Curve



3.2.2.3 Steady State Waveform

图 10 和 图 11 显示在 1 A 和 2 A 输入电流条件下分别的稳态波形。太阳能电池电压在 1 A 和 2 A 输入电流时调节到 0.45V。

图 10. Steady State at V_{bat} = 3.6 V, I_{in} = 1 A

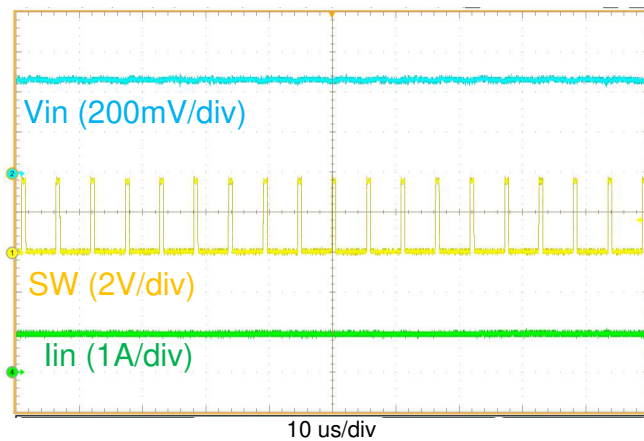
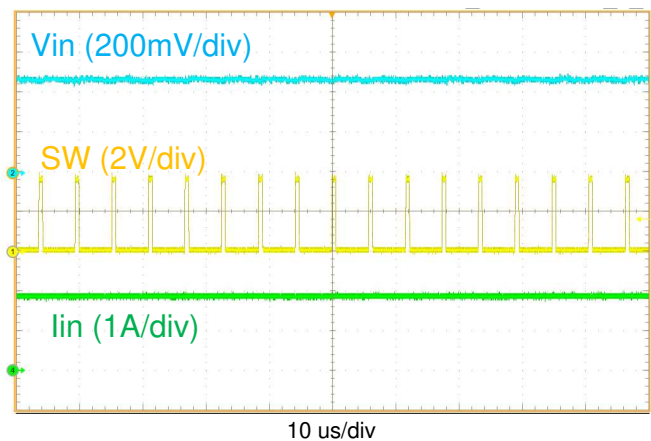
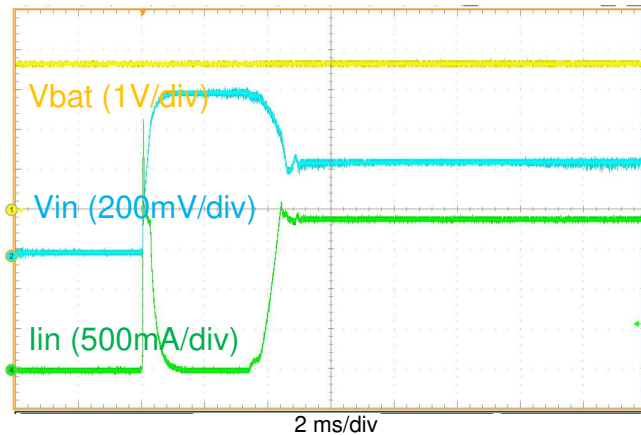
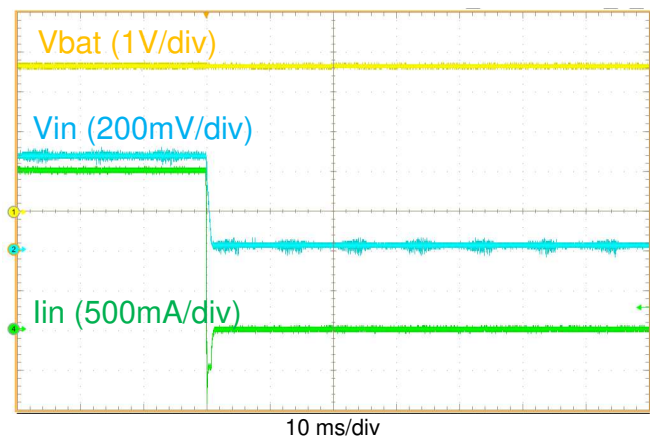


图 11. Steady State Waveform at V_{bat} = 3.6 V, I_{in} = 2 A



3.2.2.4 Startup and Shutdown Waveform

图 12 显示当电池电压为 3.6 V 且输入电流为 2 A 时的启动波形。图 13 显示当电池电压为 3.6 V 且输入电流为 2 A 时的关机波形。

图 12. Startup Waveform at $V_{bat} = 3.6\text{ V}$, $I_{in} = 2\text{ A}$

 图 13. Shutdown Waveform at $V_{bat} = 3.6\text{ V}$, $I_{in} = 2\text{ A}$


3.2.2.5 Input Current Transient Waveform

图 14 和 图 15 显示输入电流瞬态波形从 0.2 A 到 1.2 A 和从 1.2 A 到 0.2 A 分别。图 16 和 图 17 显示输入电流瞬态波形从 1.2 A 到 2.2 A 和从 2.2 A 到 1.2 A 分别。太阳能电池电压将在输入电流瞬态发生时调节到固定的 0.45 V。

图 14. Input Current Transient Waveform from 0.2 A to 1.2 A

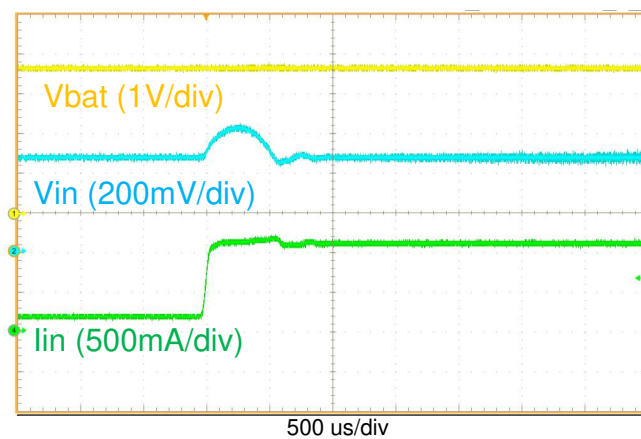


图 15. Input Current Transient Waveform from 1.2 A to 0.2 A

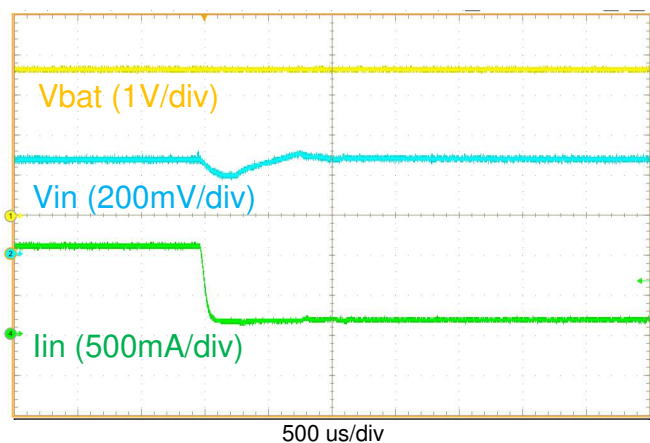


图 16. Input Current Transient from 1.2 A to 2.2 A

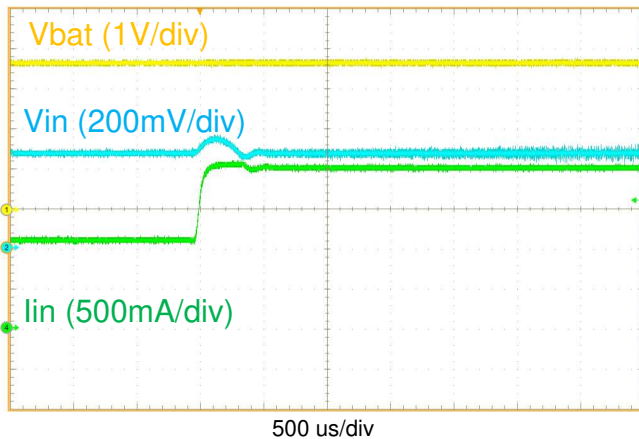
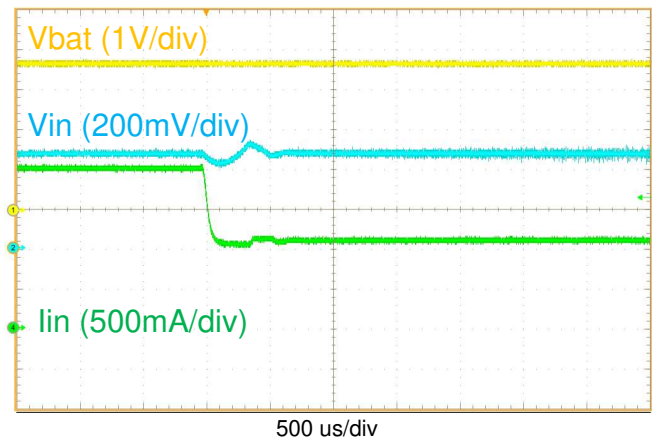


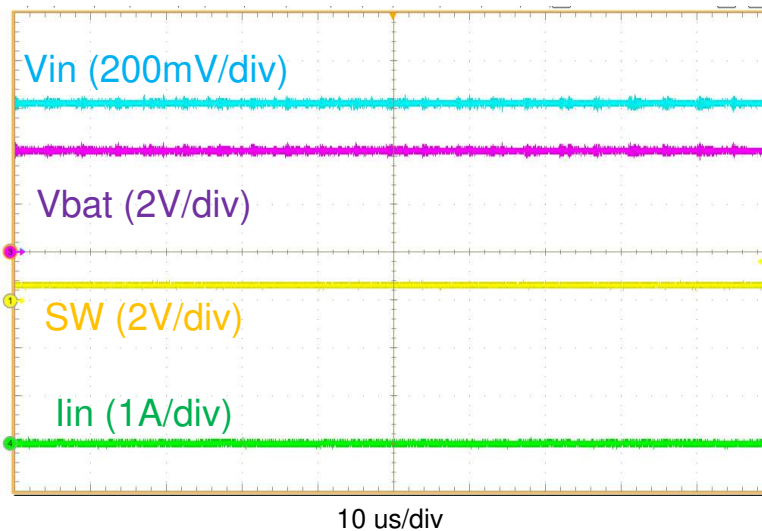
图 17. Input Current Transient from 2.2 A to 1.2 A



3.2.2.6 Battery OVP Waveform

图 18 显示了当电池电压为 4.25V 时的电池电压 OVP 波形。当电池过电压保护触发时，P-通道 MOSFET 被关闭，Boost 转换器停止开关。

图 18. OVP 波形在 $V_{bat} = 4.25\text{ V}$



3.2.2.7 Thermal Picture

图 19 显示了当 Li-Ion 电池电压为 3.0 V 且输入电流为 2 A 时的热条件。图 20 显示了当 Li-Ion 电池电压为 3.8 V 且输入电流为 2 A 时的热条件。图片是在没有气流的情况下拍摄的。

图 19. Thermal Picture at $V_{bat} = 3.0\text{ V}$, $I_{in} = 2\text{ A}$

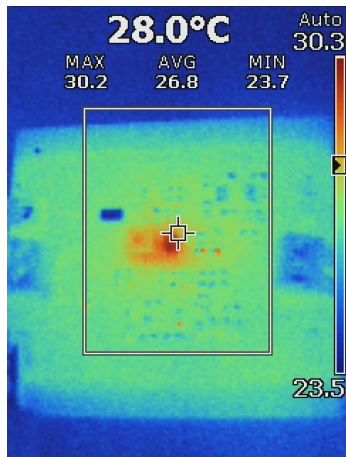
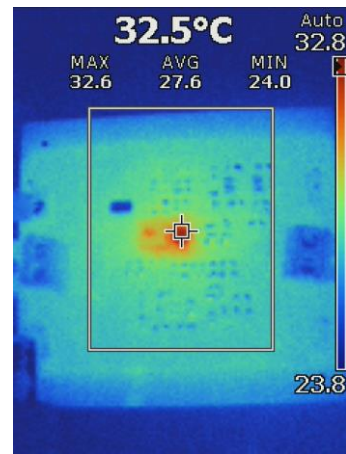


图 20. Thermal Picture at $V_{bat} = 3.8\text{ V}$, $I_{in} = 2\text{ A}$



4 Design Files

4.1 Schematics

To download the schematics, see the design files at [TIDA-050039](#).

4.2 Bill of Materials

To download the bill of materials (BOM), see the design files at [TIDA-050039](#).

4.3 PCB Layout Recommendations

4.3.1 Layout Prints

To download the layer plots, see the design files at [TIDA-050039](#).

4.4 Altium Project

To download the Altium Designer® project files, see the design files at [TIDA-050039](#).

4.5 Gerber Files

To download the Gerber files, see the design files at [TIDA-050039](#).

4.6 Assembly Drawings

To download the assembly drawings, see the design files at [TIDA-050039](#).

5 Software Files

To download the software files, see the design files at [TIDA-050039](#).

6 Related Documentation

1. [TPS61089x 12.6-V, 7-A Fully-Integrated Synchronous Boost Converters in 2.0-mm x 2.5-mm VQFN Package](#)

6.1 商标

E2E is a trademark of Texas Instruments.

Altium Designer is a registered trademark of Altium LLC or its affiliated companies.

All other trademarks are the property of their respective owners.

6.2 Third-Party Products Disclaimer

TI'S PUBLICATION OF INFORMATION REGARDING THIRD-PARTY PRODUCTS OR SERVICES DOES NOT CONSTITUTE AN ENDORSEMENT REGARDING THE SUITABILITY OF SUCH PRODUCTS OR SERVICES OR A WARRANTY, REPRESENTATION OR ENDORSEMENT OF SUCH PRODUCTS OR SERVICES, EITHER ALONE OR IN COMBINATION WITH ANY TI PRODUCT OR SERVICE.

重要声明和免责声明

TI“按原样”提供技术和可靠性数据（包括数据表）、设计资源（包括参考设计）、应用或其他设计建议、网络工具、安全信息和其他资源，不保证没有瑕疵且不做任何明示或暗示的担保，包括但不限于对适销性、某特定用途方面的适用性或不侵犯任何第三方知识产权的暗示担保。

这些资源可供使用 TI 产品进行设计的熟练开发人员使用。您将自行承担以下全部责任：(1) 针对您的应用选择合适的 TI 产品，(2) 设计、验证并测试您的应用，(3) 确保您的应用满足相应标准以及任何其他功能安全、信息安全、监管或其他要求。

这些资源如有变更，恕不另行通知。TI 授权您仅可将这些资源用于研发本资源所述的 TI 产品的应用。严禁对这些资源进行其他复制或展示。您无权使用任何其他 TI 知识产权或任何第三方知识产权。您应全额赔偿因在这些资源的使用中对 TI 及其代表造成的任何索赔、损害、成本、损失和债务，TI 对此概不负责。

TI 提供的产品受 [TI 的销售条款](#) 或 [ti.com](#) 上其他适用条款/TI 产品随附的其他适用条款的约束。TI 提供这些资源并不会扩展或以其他方式更改 TI 针对 TI 产品发布的适用的担保或担保免责声明。

TI 反对并拒绝您可能提出的任何其他或不同的条款。

邮寄地址：Texas Instruments, Post Office Box 655303, Dallas, Texas 75265

Copyright © 2022，德州仪器 (TI) 公司