



说明

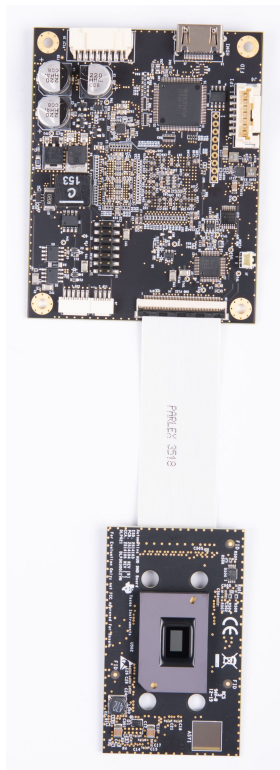
此 DLP3034-Q1 电子产品参考设计可驱动 DLP 投影仪, 该投影仪可以照亮嵌入在玻璃内的荧光膜, 创建透明的窗口显示。荧光膜在正常情况下是透明的, 但当接收到 DLP3034-Q1 投影仪发出的 405nm 光线时, 则会呈现生动绚丽的显示。

资源

- [TIDA-080006](#) 设计文件夹
- [DLP3034-Q1](#) 产品文件夹
- [DLPC120-Q1](#) 产品文件夹



咨询我们的 E2E™ 专家

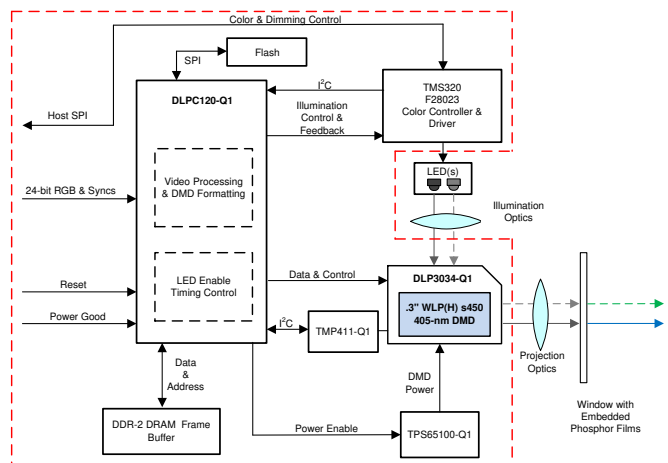


特性

- 通过汽车认证的 DLP3034-Q1 芯片组
- 支持 405nm LED 照明
- 宽视频图形阵列 (WVGA) (864 × 480) 分辨率
- 12V 输入
- 电流受控型 LED 驱动器
 - 支持 1 或 2 个 LED 颜色通道
 - 每通道支持高达 4A 和 9V
- 50:1 调光比
- 运行温度范围: -40°C 至 105°C
- 紧凑型 PCB 布局
- 降低了系统成本

应用

- 透明窗口显示支持以下功能:
 - 车辆对车辆的通信
 - 车辆对行人的通信
 - 自动驾驶出租车
 - 驾驶招停
 - 广播
 - 驾驶员问候语和汽车诊断





该 TI 参考设计末尾的重要声明表述了授权使用、知识产权问题和其他重要的免责声明和信息。

1 System Description

The fundamental components of this reference design include the DLP3034-Q1 0.3" WVGA 405-nm automotive digital micromirror device (DMD), the DLPC120-Q1 DMD controller, a current-controlled LED driver supporting either one or two channels, and the corresponding power supplies. These electronics are intended to be used to drive a projector that also encompasses a 405-nm LED, optical components to capture the LED light and to illuminate the DLPC3034-Q1 DMD, as well as a projection lens to direct the light to a window in a vehicle.

This projector should be paired with a transparent phosphor film which is embedded inside an automotive glass window. When the phosphor material is excited with 405-nm wavelengths from the projector, it emits visible light in all directions, thus enabling a transparent window to become a dynamic display. A full color display can be designed using multiple LEDs and films, with each LED emitting light at a specific wavelength that excites a corresponding phosphor film. There are several applications that can benefit from this projector and film technology.

There is a growing trend in the automotive industry towards autonomous vehicles, robo-taxis, and ride sharing. It is important for these vehicles to communicate with the outside world, while also supporting the original functions of the window and vehicle design. A transparent window display, enabled by this reference design and surrounding components, is one possible way to address these needs.

1.1 Key System Specifications

表 1. Key System Specifications

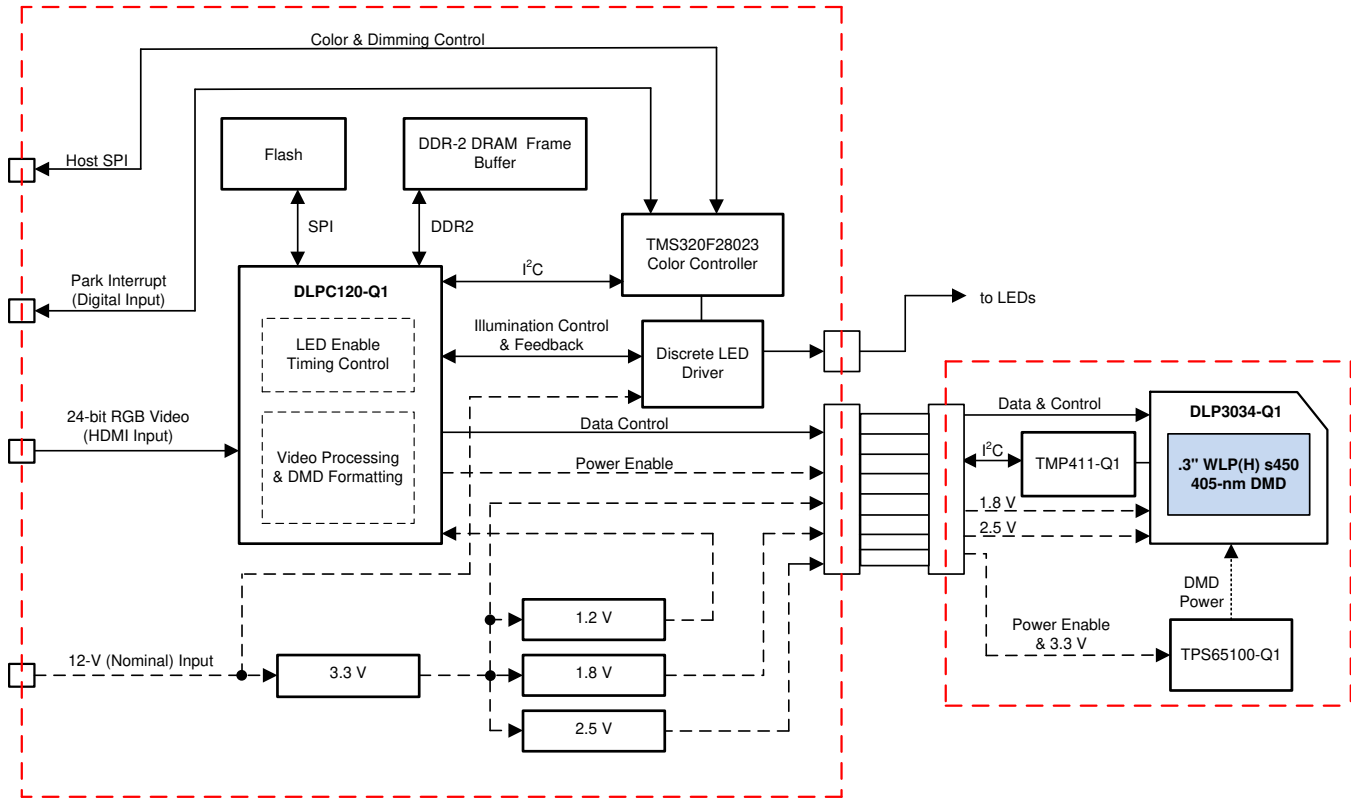
PARAMETER	SPECIFICATIONS
Input power source	12 V DC nominal, 8 V minimum to 18 V maximum
Power consumption	Power consumption depends on selected LED current. Depending on DMD sequence, duty cycle, number of LEDs, and other system parameters, power consumption for this chipset + LEDs is between 2 W and 36 W. For a single LED system driven at 95/5 duty cycle, 12-V input, and 4-A LED ⁽¹⁾ current, the power consumption is 33.6 W.
Output signals	Single- or dual-channel LED drive
Temperature rating	The DLP3034-Q1 has an automotive temperature rating of -40°C to 105°C
Video input format	HDMI input de-serialized into 24-bit parallel RGB
SPI interface format	100 kHz
Dimming ratio	50:1

⁽¹⁾ This data assumes the CBM-25 LED from Luminus™.

2 System Overview

2.1 Block Diagram

图 1. TIDA-080006 Block Diagram and Board Partition



2.2 Design Considerations

2.2.1 Support for Multiple LEDs

The DLP3034-Q1 automotive DMD has been optimized for illumination sources centered around 405-nm wavelengths. However, it is possible that the DMD can support other illumination wavelengths as well—see the [DLP3034-Q1 0.3 WVGA 405-nm DMD for Automotive Interior Display data sheet](#). This reference design is intended to drive either one or two LEDs. To switch from between the two, it simply requires the removal or installation of three different resistors, as 表 2 shows. Note that while the reference design can drive up to two channels, the DLP3034-Q1 and DLPC120-Q1 chipset is capable of driving up to three channels.

表 2. Configuration for Single- or Dual-channel LED Drive⁽¹⁾

NUMBER OF COLOR CHANNELS SUPPORTED	R8	R103	R104
One Color	Optional	Install	Remove
Two Color	Remove	Remove	Install

⁽¹⁾ Refer to the corresponding schematic design for component names R8, R103, and R104.

2.2.2 Input Voltage vs. RMS LED Current

In this reference design, there is simply a TI ideal diode circuit between the input voltage and the LED driver, without a regulator to fix the voltage to the driver. Tests have shown that variations to the input voltage level have an impact on the waveform of the LED current. Specifically, a higher input voltage results in a higher switching frequency and higher ripple of the LED current, which means the RMS value is higher. For LEDs which generally have a direct relationship between RMS current and optical power output, this means that a varying input voltage may also vary the brightness of the display in this application. This effect is most severe at lower LED currents. See the [Test Results](#) for the data of testing with this reference design.

If the customer-application deems that this variation is likely to occur and the performance is unacceptable, TI recommends adding a pre-regulator between the input voltage and the LED driver to stabilize the voltage seen by the LED driver.

2.2.3 Input Video Configuration

This reference design includes two boards: the *Controller board* and the *DMD board*. Connect these boards with a 50-pin flat flex connector, ensuring that the cable is correctly installed and the clamp is properly closed on the connectors of both boards.

Connect a power cable to the appropriate connector. Additionally, connect the LEDs. In a projector module, care should be taken to ensure that the DMD and LEDs are correctly mounted to the optical system. If the electronics are tested on their own, then TI recommends wearing eye protection to prevent direct exposure to the raw light from the LED. Also note that the LEDs may get hot, so an appropriate heatsink is recommended.

After the boards have been connected and all cables installed, 12 V can be applied. With the proper DLPC120 firmware installed, provided by the *TI Applications* team, the system will default to 4-A current for each LED.

2.3 Highlighted Products

2.3.1 DLP3034-Q1

The DLP3034-Q1 device is the automotive DMD component that is central to this system. It serves as the display panel inside the projector.

2.3.2 DLPC120-Q1

The DLPC120-Q1 device is the automotive DMD controller component that is responsible for driving the DLP3034-Q1 DMD.

3 Hardware and Test Results

3.1 Required Hardware

This reference design includes two boards: the *Controller board* and the *DMD board*. Connect these boards with a 50-pin flat flex connector, ensuring that the cable is correctly installed and the clamp is properly closed on the connectors of both boards.

Connect a power cable to the appropriate connector. Additionally, connect the LEDs. In a projector module, care should be taken to ensure that the DMD and LEDs are correctly mounted to the optical system. If the electronics are tested on their own, then TI recommends wearing eye protection to prevent direct exposure to the raw light from the LED. Also note that the LEDs may get hot, so an appropriate heatsink is recommended.

After the boards have been connected and all cables installed, 12 V can be applied. With the proper DLPC120 firmware installed, the system will default to 4-A current for each LED.

3.2 Testing and Results

3.2.1 Test Setup

The hardware was configured exactly as described in the [Required Hardware](#) section. The *Automotive Control Program* tool was used to modulate the LED current for each of the conditions shown in the [Test Results](#) section. An oscilloscope was used to measure two signals: LED forward voltage and LED current (with probe).

3.2.2 Test Results

Testing has shown that LED RMS current varies with input voltage at lower output current levels.

图 2. LED RMS Current vs. Input Voltage at Different Current Amplitude Levels

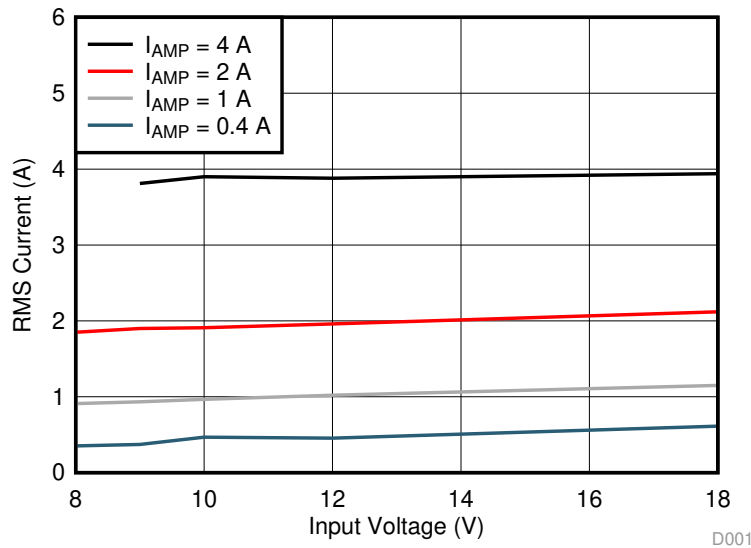


表 3. Percent Change in LED RMS Current With Varying Input Voltage

CURRENT AMPLITUDE (A)	PERCENT DROP FROM 18 V TO 10 V
4.0	1%
2.0	11%
1.0	19%
0.4	31%

The oscilloscope captures in 图 3 through 图 6 show the signals justifying the data in 图 2 and 表 3. 表 4 serves as a legend of the signals in the oscilloscope captures.

表 4. Oscilloscope Capture Signal Description

PROBE CHANNEL #	COLOR	SIGNAL
2	Cyan	LED V_F
4	Green	LED Current

图 3. 4-A LED Amplitude at 18-V Input Voltage

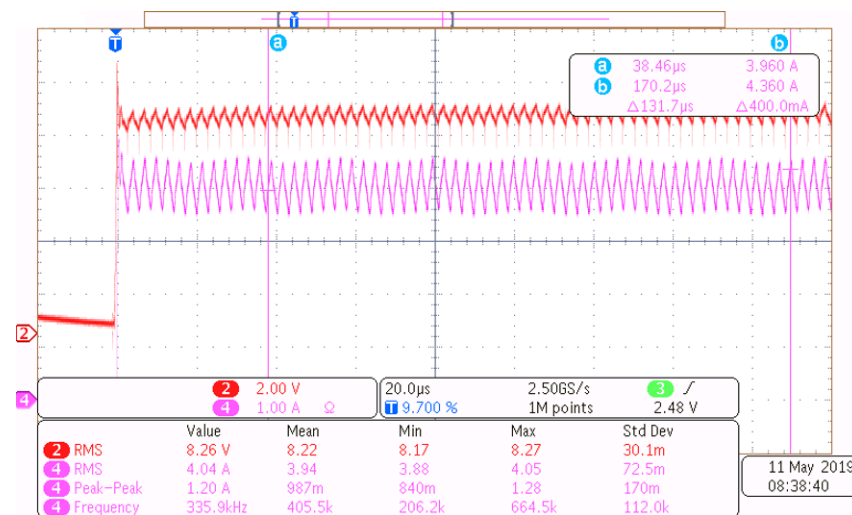


图 4. 4-A LED Amplitude at 10-V Input Voltage

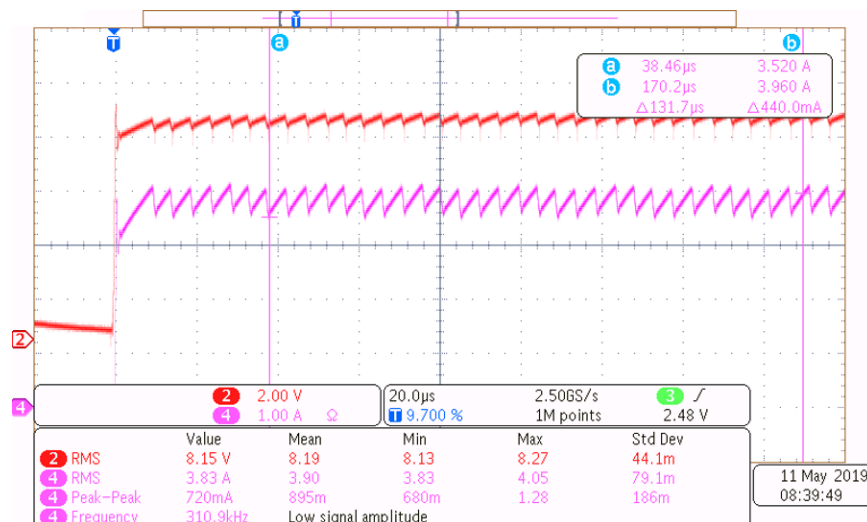


图 5. 0.4-A LED Amplitude at 18-V Input Voltage

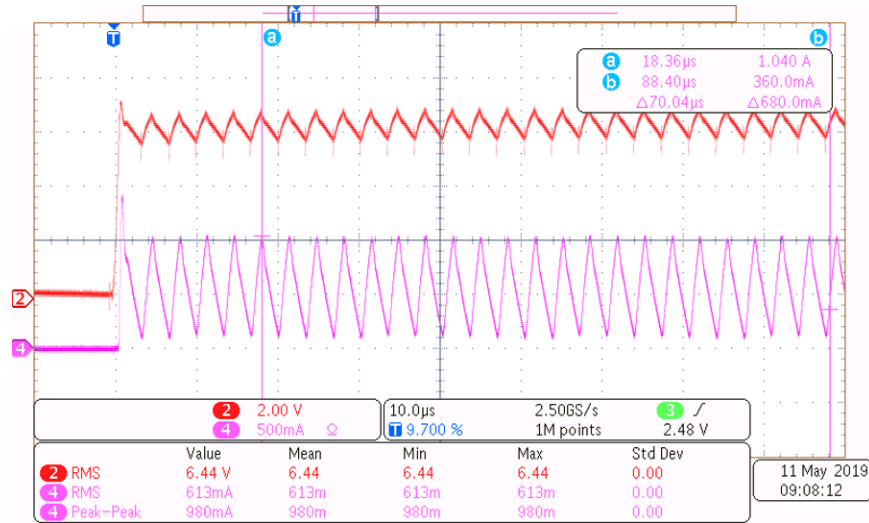
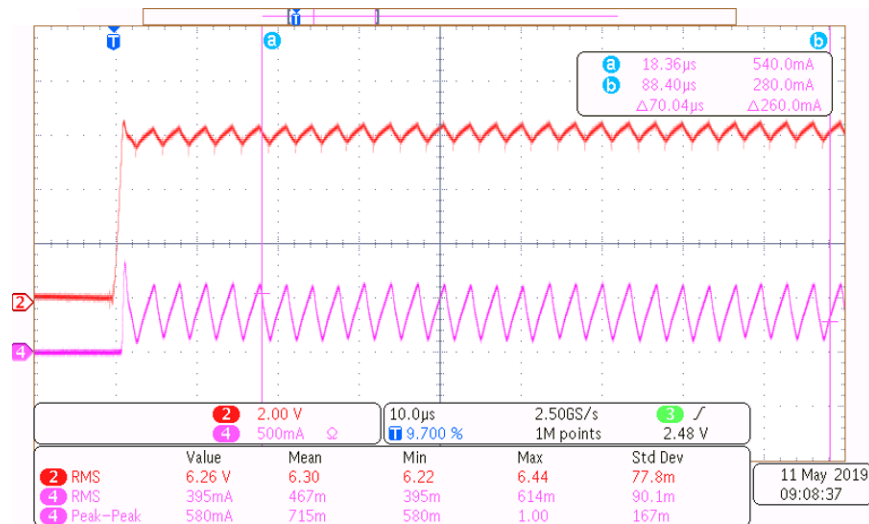


图 6. 0.4-A LED Amplitude at 10-V Input Voltage



4 Design Files

4.1 Schematics

To download the schematics, see the design files at [TIDA-080006](#).

4.2 Bill of Materials

To download the bill of materials (BOM), see the design files at [TIDA-080006](#).

4.3 PCB Layout Recommendations

4.3.1 Layout Prints

To download the layer plots, see the design files at [TIDA-080006](#).

4.4 Altium Project

To download the Altium Designer® project files, see the design files at [TIDA-080006](#).

4.5 Gerber Files

To download the Gerber files, see the design files at [TIDA-080006](#).

4.6 Assembly Drawings

To download the assembly drawings, see the design files at [TIDA-080006](#).

5 Software Files

To download the software files, see the design files at [TIDA-080006](#).

6 Related Documentation

1. Texas Instruments, [DLP3034-Q1 0.3 WVGA 405-nm DMD for Automotive Interior Display Data Sheet](#)
2. Texas Instruments, [DLPC120-Q1 Automotive DMD Controller Data Sheet](#)

6.1 商标

E2E is a trademark of Texas Instruments.

DLP is a registered trademark of Texas Instruments Incorporated.

Altium Designer is a registered trademark of Altium LLC or its affiliated companies.

Luminus is a trademark of Luminus, Incorporated.

All other trademarks are the property of their respective owners.

6.2 Third-Party Products Disclaimer

TI'S PUBLICATION OF INFORMATION REGARDING THIRD-PARTY PRODUCTS OR SERVICES DOES NOT CONSTITUTE AN ENDORSEMENT REGARDING THE SUITABILITY OF SUCH PRODUCTS OR SERVICES OR A WARRANTY, REPRESENTATION OR ENDORSEMENT OF SUCH PRODUCTS OR SERVICES, EITHER ALONE OR IN COMBINATION WITH ANY TI PRODUCT OR SERVICE.

重要声明和免责声明

TI 均以“原样”提供技术性 & 可靠性数据（包括数据表）、设计资源（包括参考设计）、应用或其他设计建议、网络工具、安全信息和其他资源，不保证其中不含任何瑕疵，且不做任何明示或暗示的担保，包括但不限于对适销性、适合某特定用途或不侵犯任何第三方知识产权的暗示担保。

所述资源可供专业开发人员应用 TI 产品进行设计使用。您将对以下行为独自承担全部责任：(1) 针对您的应用选择合适的 TI 产品；(2) 设计、验证并测试您的应用；(3) 确保您的应用满足相应标准以及任何其他安全、安保或其他要求。所述资源如有变更，恕不另行通知。TI 对您使用所述资源的授权仅限于开发资源所涉及 TI 产品的相关应用。除此之外不得复制或展示所述资源，也不提供其它 TI 或任何第三方的知识产权授权许可。如因使用所述资源而产生任何索赔、赔偿、成本、损失及债务等，TI 对此概不负责，并且您须赔偿由此对 TI 及其代表造成的损害。

TI 所提供产品均受 TI 的销售条款 (<http://www.ti.com.cn/zh-cn/legal/termsofsale.html>) 以及 [ti.com.cn](http://www.ti.com.cn) 上或随附 TI 产品提供的其他可适用条款的约束。TI 提供所述资源并不扩展或以其他方式更改 TI 针对 TI 产品所发布的可适用的担保范围或担保免责声明。

邮寄地址：上海市浦东新区世纪大道 1568 号中建大厦 32 楼，邮政编码：200122
Copyright © 2020 德州仪器半导体技术（上海）有限公司

重要声明和免责声明

TI 均以“原样”提供技术性 & 可靠性数据（包括数据表）、设计资源（包括参考设计）、应用或其他设计建议、网络工具、安全信息和其他资源，不保证其中不含任何瑕疵，且不做任何明示或暗示的担保，包括但不限于对适销性、适合某特定用途或不侵犯任何第三方知识产权的暗示担保。

所述资源可供专业开发人员应用 TI 产品进行设计使用。您将对以下行为独自承担全部责任：(1) 针对您的应用选择合适的 TI 产品；(2) 设计、验证并测试您的应用；(3) 确保您的应用满足相应标准以及任何其他安全、安保或其他要求。所述资源如有变更，恕不另行通知。TI 对您使用所述资源的授权仅限于开发资源所涉及 TI 产品的相关应用。除此之外不得复制或展示所述资源，也不提供其它 TI 或任何第三方的知识产权授权许可。如因使用所述资源而产生任何索赔、赔偿、成本、损失及债务等，TI 对此概不负责，并且您须赔偿由此对 TI 及其代表造成的损害。

TI 所提供产品均受 TI 的销售条款 (<http://www.ti.com.cn/zh-cn/legal/termsofsale.html>) 以及 [ti.com.cn](http://www.ti.com.cn) 上或随附 TI 产品提供的其他可适用条款的约束。TI 提供所述资源并不扩展或以其他方式更改 TI 针对 TI 产品所发布的可适用的担保范围或担保免责声明。

邮寄地址：上海市浦东新区世纪大道 1568 号中建大厦 32 楼，邮政编码：200122

Copyright © 2020 德州仪器半导体技术（上海）有限公司