

BQ27426 システム側 Impedance Track™ バッテリ残量計

1 特長

- シングルセル・リチウムイオン・バッテリー残量計
 - システム基板上に配置
 - 内蔵バッテリーまたは着脱式バッテリーをサポート
 - 内蔵 LDO により、バッテリーから直接電力を供給
 - 低い値の外付けセンス抵抗 (10mΩ) をサポート
- 負荷がスリープ電流スレッシュホールドで設定された 10mA 未満のとき、9μA の超低動作電流
- 特許取得済みの Impedance Track™ テクノロジーに基づくバッテリー残量計
 - 4.2V、4.35V、4.4V セル用に事前に設定された 3 つのプロファイルから選択可能
 - 平滑化フィルタ付きで残容量および充電状態 (SOC) を通知
 - バッテリーの経年変化、自己放電、温度、レートの変化に対して自動的に調整
 - バッテリーの健全性状態 (経年変化) を予測
- 以下をサポートするマイクロコントローラ・ペリフェラル・インターフェイス:
 - 400kHz I²C シリアル・インターフェイス
 - 設定可能な SOC 割り込み、またはバッテリー低下警告のデジタル出力
 - 内部温度センサ、ホストによる温度報告、外部サーミスタ

2 アプリケーション

- スマートフォン、携帯電話、タブレット
- ウェアラブル
- ビル・オートメーション
- 医療用 / 産業用携帯ハンドセット
- 携帯オーディオ
- ゲーム

3 概要

テキサス・インスツルメンツの BQ27426 バッテリ残量計は、ユーザー設定とシステム・マイクロコントローラのファームウェア開発を最小限に抑えることでシステムを短期間で開発できるシングルセル用残量計です。

3 種類のケミストリ・プロファイルが事前に設定されているため、ユーザー設定を最小限に抑え、各種バッテリー・ケミストリを使用したすべてのプロジェクトにわたる在庫を簡単に管理できます。BQ27426 バッテリ残量計はスリープ時の消費電力が非常に小さいため、バッテリー駆動時間を延長できます。設定可能な割り込みにより、システムの消費電力を節約し、連続したポーリングからホストを解放できます。外部サーミスタによる高精度温度検出もサポートしています。

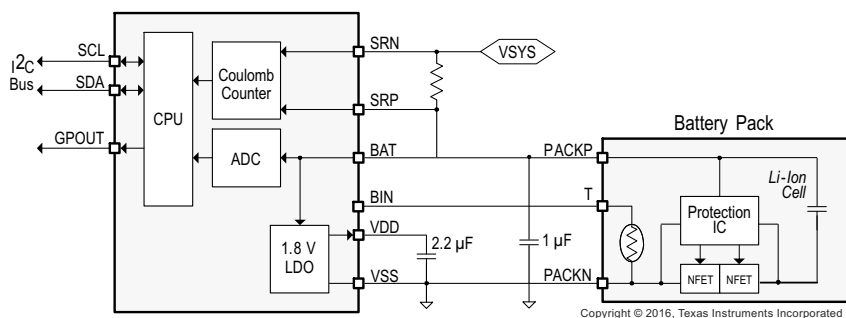
BQ27426 バッテリ残量計は、特許取得済みの Impedance Track™ 残量計測アルゴリズムを採用しており、バッテリー残容量 (mAh)、充電状態 (%)、バッテリー電圧 (mV) などの情報を提供します。

BQ27426 バッテリ残量計は、着脱式バッテリー・パックまたは内蔵バッテリー回路の PACK+ (P+) と PACK- (P-) に接続するだけで、バッテリー残量を計測できます。小型の 9 ボール、1.62mm × 1.58mm、0.5mm ピッチの NanoFree™ チップ・スケール・パッケージ (DSBGA) は、スペースに制約のあるアプリケーションに最適です。

製品情報

部品番号	パッケージ	本体サイズ (公称)
BQ27426	YZF (9) ⁽¹⁾	1.62mm × 1.58mm

(1) 利用可能なすべてのパッケージについては、データシートの末尾にある注文情報を参照してください。



簡略回路図



Table of Contents

1 特長	1	6.13 Typical Characteristics.....	9
2 アプリケーション	1	7 Detailed Description	10
3 概要	1	7.1 Overview.....	10
4 Revision History	2	7.2 Functional Block Diagram.....	10
5 Pin Configuration and Functions	3	7.3 Feature Description.....	10
6 Specifications	5	7.4 Device Functional Modes.....	12
6.1 Absolute Maximum Ratings.....	5	8 Application and Implementation	15
6.2 ESD Ratings.....	5	8.1 Application Information.....	15
6.3 Recommended Operating Conditions.....	5	8.2 Typical Applications.....	15
6.4 Thermal Information.....	5	9 Power Supply Recommendation	18
6.5 Supply Current.....	6	9.1 Power Supply Decoupling.....	18
6.6 Digital Input and Output DC Characteristics.....	6	10 Layout	19
6.7 LDO Regulator, Wake-up, and Auto-Shutdown DC Characteristics.....	6	10.1 Layout Guidelines.....	19
6.8 LDO Regulator, Wake-up, and Auto-Shutdown AC Characteristics.....	6	10.2 Layout Example.....	19
6.9 ADC (Temperature and Cell Measurement) Characteristics.....	7	11 Device and Documentation Support	20
6.10 Integrating ADC (Coulomb Counter) Characteristics.....	7	11.1 Documentation Support.....	20
6.11 I ² C-Compatible Interface Communication Timing Characteristics.....	7	11.2 ドキュメントの更新通知を受け取る方法.....	20
6.12 SHUTDOWN and WAKE-UP Timing.....	8	11.3 サポート・リソース.....	20
		11.4 Trademarks.....	20
		11.5 静電気放電に関する注意事項.....	20
		11.6 用語集.....	20
		12 Mechanical, Packaging, and Orderable Information	20

4 Revision History

資料番号末尾の英字は改訂を表しています。その改訂履歴は英語版に準じています。

Changes from Revision F (July 2019) to Revision G (April 2023) Page

• SLEEP モード電流を明記.....	1
• Clarified SLEEP mode current.....	6
• Added detailed descriptions of power modes.....	12

Changes from Revision E (May 2019) to Revision F (July 2019) Page

• Added セクション 7.3.1.2	11
• Changed 図 8-2	15

Changes from Revision D (May 2016) to Revision E (May 2019) Page

• Added the low-side current sense resistor.....	15
• Updated Typical Applications	15

5 Pin Configuration and Functions

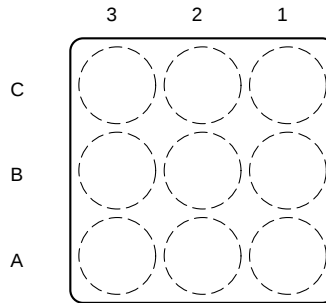


图 5-1. Top View

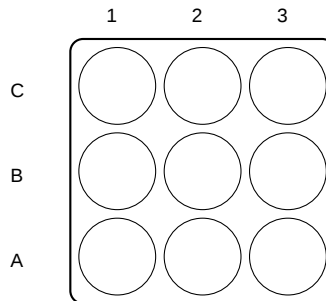


图 5-2. Bottom View

表 5-1. Pin Functions

PIN		TYPE ⁽¹⁾	DESCRIPTION
NAME	NUMBER		
BAT	C3	PI, AI	LDO regulator input and battery voltage measurement input. Kelvin sense connect to positive battery terminal (PACKP). Connect a capacitor (1 μ F) between BAT and V_{SS} . Place the capacitor close to the gauge.
BIN	B1	DI	Battery insertion detection input. If <i>OpConfig</i> [BI_PU_EN] = 1 (default), a logic low on the pin is detected as battery insertion. For a removable pack, the BIN pin can be connected to V_{SS} through a pulldown resistor on the pack, typically the 10-k Ω thermistor; the system board should use a 1.8-M Ω pullup resistor to V_{DD} to ensure the BIN pin is high when a battery is removed. If the battery is embedded in the system, it is recommended to leave [BI_PU_EN] = 1 and use a 10-k Ω pulldown resistor from BIN to V_{SS} . If [BI_PU_EN] = 0, then the host must inform the gauge of battery insertion and removal with the <i>BAT_INSERT</i> and <i>BAT_REMOVE</i> subcommands. A 10-k Ω pulldown resistor should be placed between BIN and V_{SS} , even if this pin is unused. NOTE: The BIN pin must not be shorted directly to V_{CC} or V_{SS} and any pullup resistor on the BIN pin must be connected only to V_{DD} and not an external voltage rail. If an external thermistor is used for temperature input, the thermistor should be connected between this pin and V_{SS} .

表 5-1. Pin Functions (continued)

PIN		TYPE ⁽¹⁾	DESCRIPTION
NAME	NUMBER		
GPOUT	A1	DO	This open-drain output can be configured to indicate BAT_LOW when the OpConfig [BATLOWEN] bit is set. By default [BATLOWEN] is cleared and this pin performs an interrupt function (SOC_INT) by pulsing for specific events, such as a change in state-of-charge. Signal polarity for these functions is controlled by the [GPIOPOL] configuration bit. This pin should not be left floating, even if unused; therefore, a 10-k Ω pullup resistor is recommended. If the device is in SHUTDOWN mode, toggling GPOUT causes the gauge exit SHUTDOWN. Connect GPOUT to a GPIO of the host MCU so that in case of any inadvertent shutdown condition, the gauge can be commanded to come out of SHUTDOWN.
SCL	A3	DIO	Slave I ² C serial bus for communication with system (Master). Open-drain pins. Use with external 10-k Ω pullup resistors (typical) for each pin. If the external pullup resistors will be disconnected from these pins during normal operation, use an external 1-M Ω pulldown resistors to V _{SS} at each pin to avoid floating inputs.
SDA	A2	DIO	
SRN	C2	AI	Coulomb counter differential inputs expecting an external 10 m Ω , 1% sense resistor in the high-side current path. Kelvin sense connect SRP to the positive battery terminal (PACKP) side of the external sense resistor. Kelvin sense connect SRN to the other side of the external sense resistor, the positive connection to the system (V _{SS}). No calibration is required. The fuel gauge is precalibrated for a standard 10 m Ω , 1% sense resistor. Low-side current sensing can be enabled. For more information, see Typical Applications .
SRP	C1	AI	
V _{DD}	B3	PO	1.8-V regulator output. Decouple with 2.2- μ F ceramic capacitor to V _{SS} . This pin is not intended to provide power for other devices in the system.
V _{SS}	B2	PI	Ground pin

(1) IO = Digital input-output, AI = Analog input, P = Power connection

6 Specifications

6.1 Absolute Maximum Ratings

Over operating free-air temperature range (unless otherwise noted)⁽¹⁾

		MIN	MAX	UNIT
V _{BAT}	BAT pin input voltage range	-0.3	6	V
V _{SR}	SRP and SRN pins input voltage range	-0.3	V _{BAT} + 0.3	V
	Differential voltage across SRP and SRN. ABS(SRP – SRN)		2	V
V _{DD}	V _{DD} pin supply voltage range (LDO output)	-0.3	2	V
V _{IOD}	Open-drain IO pins (SDA, SCL)	-0.3	6	V
V _{IOPP}	Push-pull IO pins (BIN)	-0.3	V _{DD} + 0.3	V
T _A	Operating free-air temperature range	-40	85	°C
Storage temperature, T _{stg}		-65	150	°C

- (1) Operation outside the Absolute Maximum Ratings may cause permanent device damage. Absolute Maximum Ratings do not imply functional operation of the device at these or any other conditions beyond those listed under Recommended Operating Conditions. If outside the Recommended Operating Conditions but within the Absolute Maximum Ratings, the device may not be fully functional, and this may affect device reliability, functionality, performance, and shorten the device lifetime.

6.2 ESD Ratings

			VALUE	UNIT
V _(ESD)	Electrostatic discharge	Human body model (HBM), per ANSI/ESDA/JEDEC JS-001 ⁽¹⁾	±1500	V
		Charged-device model (CDM), per JEDEC specification JESD22-C101 ⁽²⁾	±250	

- (1) JEDEC document JEP155 states that 500-V HBM allows safe manufacturing with a standard ESD control process.
(2) JEDEC document JEP157 states that 250-V CDM allows safe manufacturing with a standard ESD control process.

6.3 Recommended Operating Conditions

T_A = 30°C and V_{REGIN} = V_{BAT} = 3.6 V (unless otherwise noted)

			MIN	NOM	MAX	UNIT
C _{BAT} ⁽¹⁾	External input capacitor for internal LDO between BAT and V _{SS}	Nominal capacitor values specified. Recommend a 5% ceramic X5R-type capacitor located close to the device.		0.1		µF
C _{LDO18} ⁽¹⁾	External output capacitor for internal LDO between V _{DD} and V _{SS}				2.2	
V _{PU} ⁽¹⁾	External pullup voltage for open-drain pins (SDA, SCL, GPOUT)		1.62		3.6	V

- (1) Specified by design. Not production tested.

6.4 Thermal Information

THERMAL METRIC ⁽¹⁾		BQ27426		UNIT
		YZF (DSBGA)		
		9 PINS		
R _{θJA}	Junction-to-ambient thermal resistance	64.1		°C/W
R _{θJCTop}	Junction-to-case (top) thermal resistance	59.8		°C/W
R _{θJB}	Junction-to-board thermal resistance	52.7		°C/W
ψ _{JT}	Junction-to-top characterization parameter	0.3		°C/W
ψ _{JB}	Junction-to-board characterization parameter	28.3		°C/W
R _{θJCbott}	Junction-to-case (bottom) thermal resistance	2.4		°C/W

- (1) For more information about traditional and new thermal metrics, see the [IC Package Thermal Metrics Application Report, SPRA953](#).

6.5 Supply Current

$T_A = 30^\circ\text{C}$ and $V_{\text{REGIN}} = V_{\text{BAT}} = 3.6\text{ V}$ (unless otherwise noted)

PARAMETER		TEST CONDITIONS	MIN	TYP	MAX	UNIT
I_{CC} ⁽¹⁾	NORMAL mode current	$I_{\text{LOAD}} > \text{Sleep Current}$ ⁽²⁾ (10mA typical)		50		μA
I_{SLP} ⁽¹⁾	SLEEP mode current (data measurement every 20-sec)	$I_{\text{LOAD}} < \text{Sleep Current}$ ⁽²⁾ (10mA typical)		9		μA
I_{SD} ⁽¹⁾	SHUTDOWN mode current	Fuel gauge in host commanded SHUTDOWN mode. (LDO regulator output disabled)		0.6		μA

(1) Specified by design. Not production tested.

(2) Wake Comparator Disabled.

6.6 Digital Input and Output DC Characteristics

$T_A = -40^\circ\text{C}$ to 85°C , typical values at $T_A = 30^\circ\text{C}$ and $V_{\text{REGIN}} = 3.6\text{ V}$ (unless otherwise noted)

PARAMETER		TEST CONDITIONS	MIN	TYP	MAX	UNIT
$V_{\text{IH(OD)}}$	Input voltage, high ⁽²⁾	External pullup resistor to V_{PU}	$V_{\text{PU}} \times 0.7$			V
$V_{\text{IH(PP)}}$	Input voltage, high ⁽³⁾		1.4			V
V_{IL}	Input voltage, low ⁽²⁾ ⁽³⁾				0.6	V
V_{OL}	Output voltage, low ⁽²⁾				0.6	V
I_{OH}	Output source current, high ⁽²⁾				0.5	mA
$I_{\text{OL(OD)}}$	Output sink current, low ⁽²⁾				-3	mA
C_{IN} ⁽¹⁾	Input capacitance ⁽²⁾ ⁽³⁾				5	pF
I_{kg}	Input Leakage Current (SCL, SDA, BIN, GPOUT)				1	μA

(1) Specified by design. Not production tested.

(2) Open Drain pins: (SCL, SDA, GPOUT)

(3) Push-Pull pin: (BIN)

6.7 LDO Regulator, Wake-up, and Auto-Shutdown DC Characteristics

$T_A = -40^\circ\text{C}$ to 85°C , typical values at $T_A = 30^\circ\text{C}$ and $V_{\text{REGIN}} = 3.6\text{ V}$ (unless otherwise noted)

PARAMETER		TEST CONDITIONS	MIN	TYP	MAX	UNIT
V_{BAT}	BAT pin regulator input		2.45		4.5	V
V_{DD}	Regulator output voltage			1.85		V
$UVLO_{\text{IT+}}$	V_{BAT} undervoltage lock-out LDO wake-up rising threshold			2		V
$UVLO_{\text{IT-}}$	V_{BAT} undervoltage lock-out LDO auto-shutdown falling threshold			1.95		V
$V_{\text{WU+}}$ ⁽¹⁾	GPOUT (input) LDO Wake-up rising edge threshold ⁽²⁾	LDO Wake-up from SHUTDOWN mode	1.2			V

(1) Specified by design. Not production tested.

(2) If the device is commanded to SHUTDOWN via I²C with $V_{\text{BAT}} > UVLO_{\text{IT+}}$, a wake-up rising edge trigger is required on GPOUT.

6.8 LDO Regulator, Wake-up, and Auto-Shutdown AC Characteristics

$T_A = -40^\circ\text{C}$ to 85°C , typical values at $T_A = 30^\circ\text{C}$ and $V_{\text{REGIN}} = 3.6\text{ V}$ (unless otherwise noted)

PARAMETER		TEST CONDITIONS	MIN	TYP	MAX	UNIT
t_{SHDN} ⁽¹⁾	SHUTDOWN entry time	Time delay from SHUTDOWN command to LDO output disable.			250	ms
t_{SHUP} ⁽¹⁾	SHUTDOWN GPOUT low time	Minimum low time of GPOUT (input) in SHUTDOWN before WAKEUP	10			μs
t_{VDD} ⁽¹⁾	Initial V_{DD} output delay			13		ms

6.8 LDO Regulator, Wake-up, and Auto-Shutdown AC Characteristics (continued)

$T_A = -40^{\circ}\text{C}$ to 85°C , typical values at $T_A = 30^{\circ}\text{C}$ and $V_{\text{REGIN}} = 3.6\text{ V}$ (unless otherwise noted)

PARAMETER	TEST CONDITIONS	MIN	TYP	MAX	UNIT
$t_{\text{WUVDD}}^{(1)}$ Wake-up V_{DD} output delay	Time delay from rising edge of GPOUT (input) to nominal V_{DD} output		8		ms
t_{PUCD} Power-up communication delay	Time delay from rising edge of REGIN to the Active state. Includes firmware initialization time		250		ms

(1) Specified by design. Not production tested.

6.9 ADC (Temperature and Cell Measurement) Characteristics

$T_A = -40^{\circ}\text{C}$ to 85°C ; typical values at $T_A = 30^{\circ}\text{C}$ and $V_{\text{REGIN}} = 3.6\text{ V}$ (unless otherwise noted)⁽¹⁾

PARAMETER	TEST CONDITIONS	MIN	TYP	MAX	UNIT
$V_{\text{IN(BAT)}}$ BAT pin voltage measurement range	Voltage divider enabled	2.45		4.5	V
$t_{\text{ADC_CONV}}$ Conversion time			125		ms
Effective resolution			15		bits

(1) Specified by design. Not tested in production.

6.10 Integrating ADC (Coulomb Counter) Characteristics

$T_A = -40^{\circ}\text{C}$ to 85°C ; typical values at $T_A = 30^{\circ}\text{C}$ and $V_{\text{REGIN}} = 3.6\text{ V}$ (unless otherwise noted)⁽¹⁾

PARAMETER	TEST CONDITIONS	MIN	TYP	MAX	UNIT
V_{SR} Input voltage range from BAT to SRP/SRN pins			BAT \pm 25		mV
$t_{\text{SR_CONV}}$ Conversion time	Single conversion		1		s
Effective Resolution	Single conversion		16		bits

(1) Specified by design. Not tested in production.

6.11 I²C-Compatible Interface Communication Timing Characteristics

$T_A = -40^{\circ}\text{C}$ to 85°C ; typical values at $T_A = 30^{\circ}\text{C}$ and $V_{\text{REGIN}} = 3.6\text{ V}$ (unless otherwise noted)⁽¹⁾

		MIN	NOM	MAX	UNIT
Standard Mode (100 kHz)					
$t_{\text{d(STA)}}$	Start to first falling edge of SCL	4			μs
$t_{\text{w(L)}}$	SCL pulse duration (low)	4.7			μs
$t_{\text{w(H)}}$	SCL pulse duration (high)	4			μs
$t_{\text{su(STA)}}$	Setup for repeated start	4.7			μs
$t_{\text{su(DAT)}}$	Data setup time	Host drives SDA	250		ns
$t_{\text{h(DAT)}}$	Data hold time	Host drives SDA	0		ns
$t_{\text{su(STOP)}}$	Setup time for stop	4			μs
$t_{\text{(BUF)}}$	Bus free time between stop and start	Includes Command Waiting Time	66		μs
t_{f}	SCL or SDA fall time ⁽¹⁾			300	ns
t_{r}	SCL or SDA rise time ⁽¹⁾			300	ns
f_{SCL}	Clock frequency ⁽²⁾			100	kHz
Fast Mode (400 kHz)					
$t_{\text{d(STA)}}$	Start to first falling edge of SCL	600			ns
$t_{\text{w(L)}}$	SCL pulse duration (low)	1300			ns
$t_{\text{w(H)}}$	SCL pulse duration (high)	600			ns
$t_{\text{su(STA)}}$	Setup for repeated start	600			ns

6.11 I²C-Compatible Interface Communication Timing Characteristics (continued)

T_A = -40°C to 85°C; typical values at T_A = 30°C and V_{REGIN} = 3.6 V (unless otherwise noted)⁽¹⁾

			MIN	NOM	MAX	UNIT
t _{su(DAT)}	Data setup time	Host drives SDA	100			ns
t _{h(DAT)}	Data hold time	Host drives SDA	0			ns
t _{su(STOP)}	Setup time for stop		600			ns
t _(BUF)	Bus free time between stop and start	Includes Command Waiting Time	66			μs
t _f	SCL or SDA fall time ⁽¹⁾				300	ns
t _r	SCL or SDA rise time ⁽¹⁾				300	ns
f _{SCL}	Clock frequency ⁽²⁾				400	kHz

(1) Specified by design. Not production tested.

(2) If the clock frequency (f_{SCL}) is > 100 kHz, use 1-byte write commands for proper operation. All other transactions types are supported at 400 kHz. (See セクション 7.3.1.1 and セクション 7.3.1.3.)

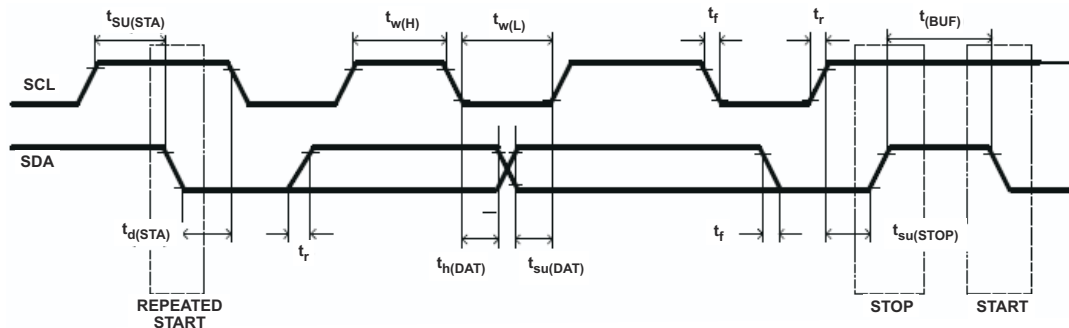
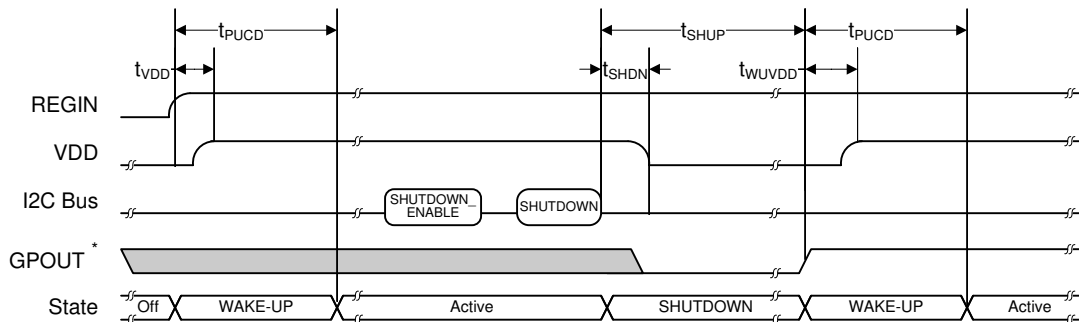


図 6-1. I²C-Compatible Interface Timing Diagrams

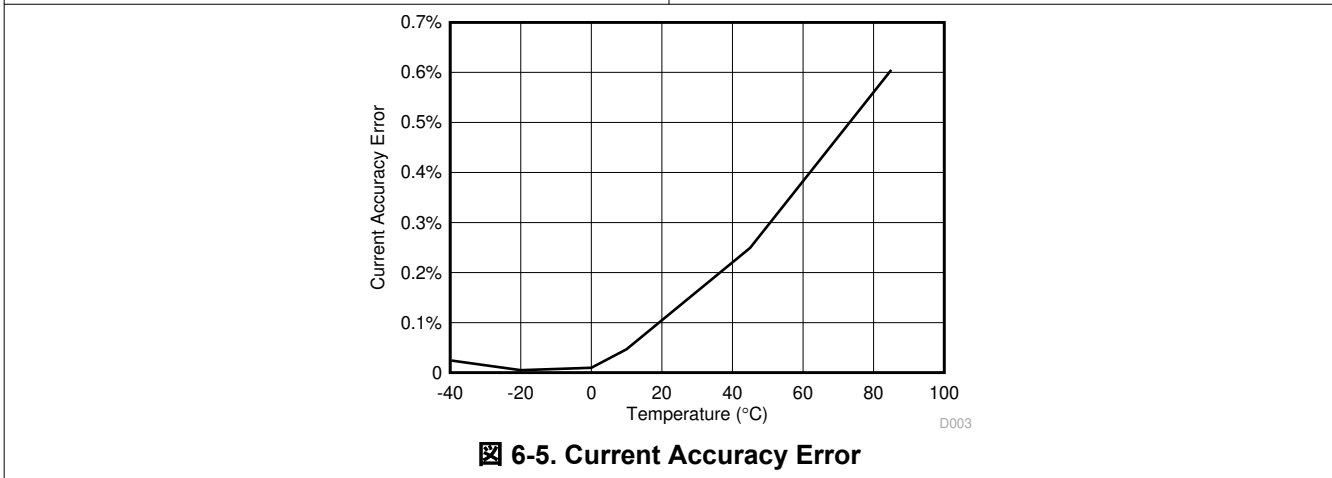
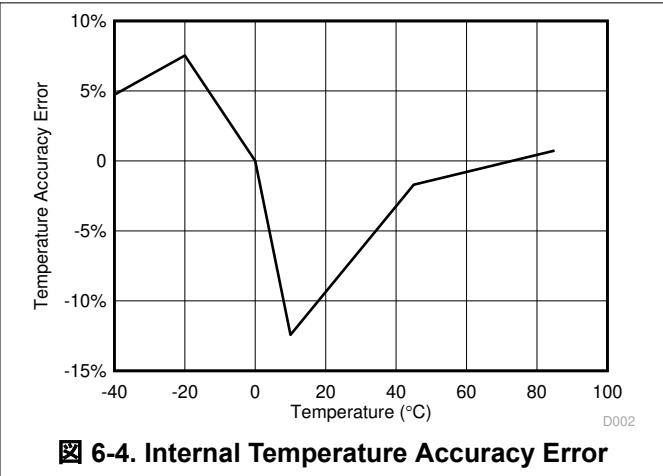
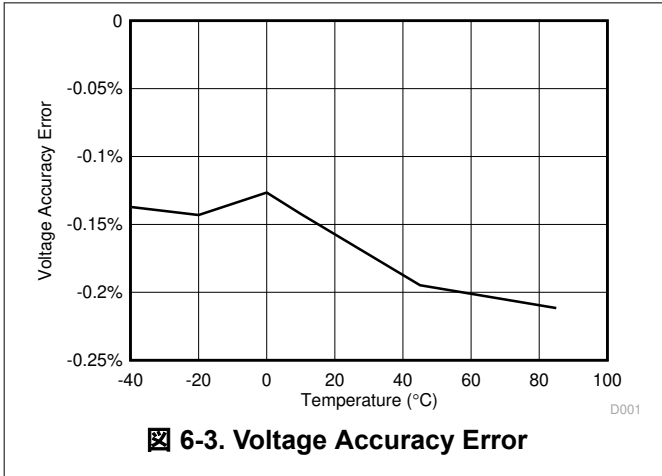
6.12 SHUTDOWN and WAKE-UP Timing



* GPOUT is configured as an input for wake-up signaling.

図 6-2. SHUTDOWN and WAKE-UP Timing Diagram

6.13 Typical Characteristics



7 Detailed Description

7.1 Overview

The BQ27426 fuel gauge accurately predicts the battery capacity and other operational characteristics of a single Li-based rechargeable cell. It can be interrogated by a system processor to provide cell information, such as state-of-charge (SOC).

注

The following formatting conventions are used in this document:

Commands: *italics* with parentheses() and no breaking spaces, for example, *Control()*.

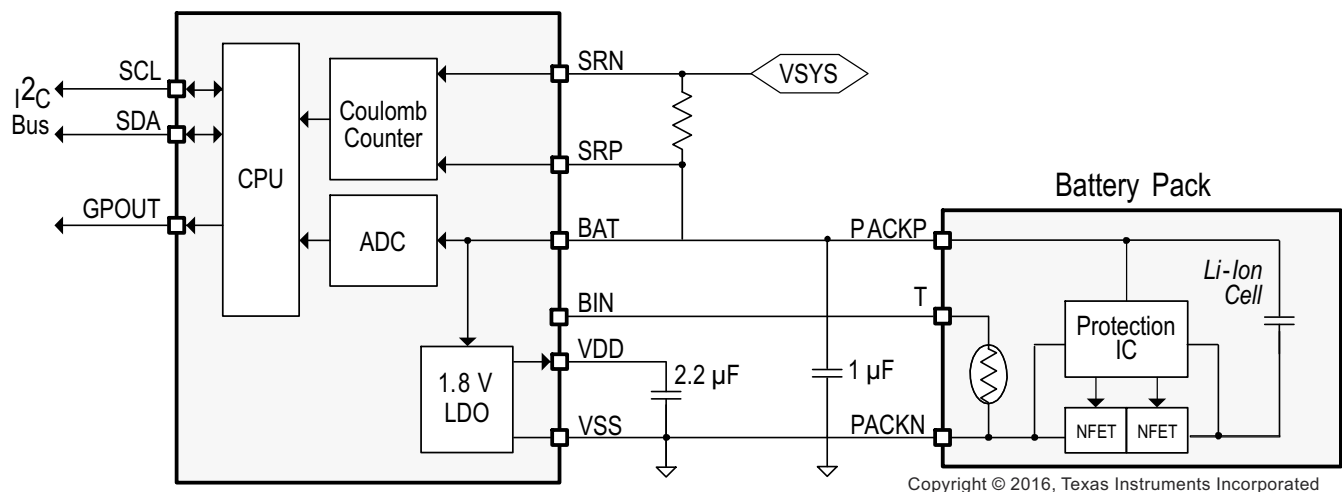
Data flash: *italics*, **bold**, and breaking spaces, for example, ***Design Capacity***.

Register bits and flags: *italics* with brackets [], for example, *[TDA]*

Data flash bits: *italics*, **bold**, and brackets [], for example, ***[LED1]***

Modes and states: ALL CAPITALS, for example, UNSEALED mode

7.2 Functional Block Diagram



7.3 Feature Description

Information is accessed through a series of commands, called *Standard Commands*. Further capabilities are provided by the additional *Extended Commands* set. Both sets of commands, indicated by the general format *Command*, are used to read and write information contained within the control and status registers, as well as its data locations. Commands are sent from system to gauge using the I²C serial communications engine, and can be executed during application development, system manufacture, or end-equipment operation.

The key to the high-accuracy gas gauging prediction is Texas Instruments proprietary Impedance Track™ algorithm. This algorithm uses cell measurements, characteristics, and properties to create state-of-charge predictions that can achieve high accuracy across a wide variety of operating conditions and over the lifetime of the battery.

The fuel gauge measures the charging and discharging of the battery by monitoring the voltage across a small-value sense resistor. When a cell is attached to the fuel gauge, cell impedance is computed based on cell current, cell open-circuit voltage (OCV), and cell voltage under loading conditions.

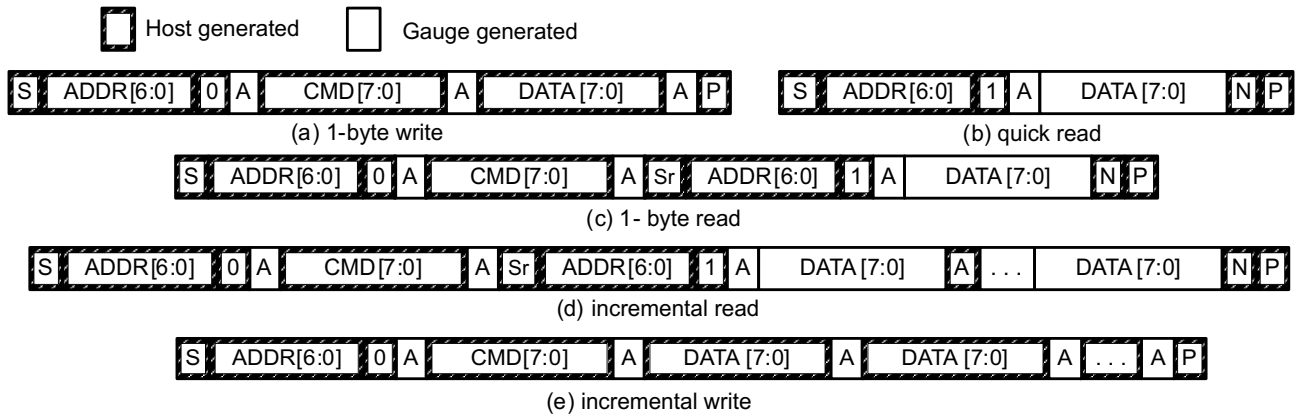
The fuel gauge uses an integrated temperature sensor for estimating cell temperature. Alternatively, the host processor can provide temperature data for the fuel gauge.

For more details, see the [BQ27426 Technical Reference Manual](#).

7.3.1 Communications

7.3.1.1 I²C Interface

The fuel gauge supports the standard I²C read, incremental read, quick read, one-byte write, and incremental write functions. The 7-bit device address (ADDR) is the most significant 7 bits of the hex address and is fixed as 1010101. The first 8 bits of the I²C protocol are, therefore, 0xAA or 0xAB for write or read, respectively.



(S = Start, Sr = Repeated Start, A = Acknowledge, N = No Acknowledge, and P = Stop).

图 7-1. I²C Interface

The quick read returns data at the address indicated by the address pointer. The address pointer, a register internal to the I²C communication engine, increments whenever data is acknowledged by the fuel gauge or the I²C master. “Quick writes” function in the same manner and are a convenient means of sending multiple bytes to consecutive command locations (such as two-byte commands that require two bytes of data).

The following command sequences are not supported:

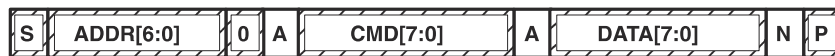


图 7-2. Attempt To Write a Read-only Address (NACK After Data Sent By Master)



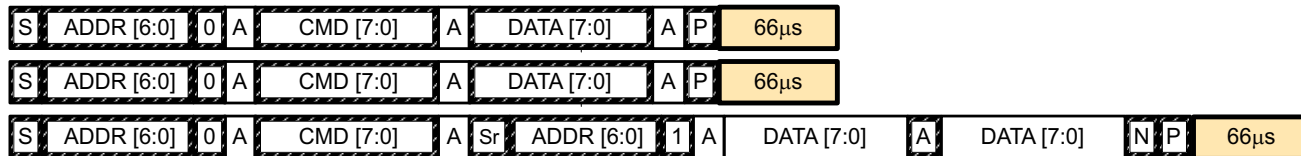
图 7-3. Attempt To Read an Address Above 0x6B (NACK Command)

7.3.1.2 I²C Time Out

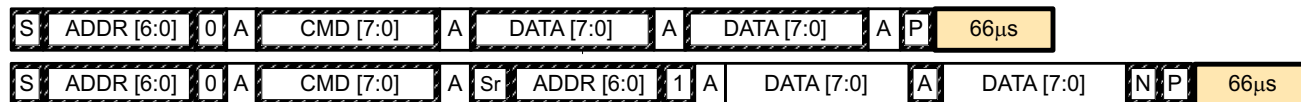
The I²C engine releases SDA and SCL if the I²C bus is held low for two seconds. If the fuel gauge is holding the lines, releasing them frees them for the master to drive the lines. If an external condition is holding either of the lines low, the I²C engine enters the low-power SLEEP mode.

7.3.1.3 I²C Command Waiting Time

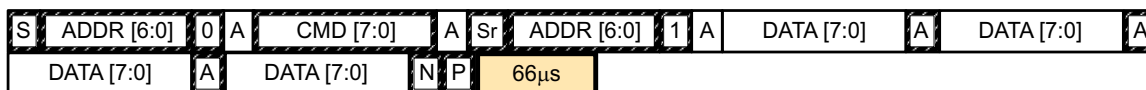
To ensure proper operation at 400 kHz, a $t_{(BUF)} \geq 66 \mu s$ bus-free waiting time must be inserted between all packets addressed to the fuel gauge. In addition, if the SCL clock frequency (f_{SCL}) is > 100 kHz, use individual 1-byte write commands for proper data flow control. The following diagram shows the standard waiting time required between issuing the control subcommand the reading the status result. For read-write standard command, a minimum of 2 seconds is required to get the result updated. For read-only standard commands, there is no waiting time required, but the host must not issue any standard command more than two times per second. Otherwise, the gauge could result in a reset issue due to the expiration of the watchdog timer.



Waiting time inserted between two 1-byte write packets for a subcommand and reading results
(required for $100 \text{ kHz} < f_{\text{scl}} \leq 400 \text{ kHz}$)



Waiting time inserted between incremental 2-byte write packet for a subcommand and reading results
(acceptable for $f_{\text{scl}} \leq 100 \text{ kHz}$)



Waiting time inserted after incremental read

7-4. I²C Command Waiting Time

7.3.1.4 I²C Clock Stretching

A clock stretch can occur during all modes of fuel gauge operation. In SLEEP mode, a short $\leq 100\text{-}\mu\text{s}$ clock stretch occurs on all I²C traffic as the device must wake-up to process the packet. In the other modes (INITIALIZATION, NORMAL), a $\leq 4\text{-ms}$ clock stretching period may occur within packets addressed for the fuel gauge as the I²C interface performs normal data flow control.

7.4 Device Functional Modes

The fuel gauge has different operating modes: POR, INITIALIZATION, NORMAL, CONFIG UPDATE, and SLEEP. Upon powering up from OFF or SHUTDOWN, a power-on reset (POR) occurs and the fuel gauge begins INITIALIZATION. In NORMAL mode, the fuel gauge is fully powered and can execute any allowable task. Configuration data in RAM can be updated by the host using the CONFIG UPDATE mode. In SLEEP mode, the fuel gauge turns off the high-frequency oscillator clock to enter a reduced-power state, periodically taking measurements and performing calculations.

The fuel gauge passes automatically between these modes, depending upon the occurrence of specific events, though a system processor can initiate some of these modes directly. For more details, see the [BQ27426 Technical Reference Manual](#).

7.4.1 SHUTDOWN Mode

In SHUTDOWN mode, the LDO output is disabled so internal power and all RAM-based volatile data are lost. The host can command the gauge to immediately enter SHUTDOWN mode by first unsealing the gauge and then enabling the mode with a *SHUTDOWN_ENABLE* subcommand (SHUTDOWN_ENABLE: 0x001B) followed by the *SHUTDOWN* subcommand (SHUTDOWN: 0x001C). To exit SHUTDOWN mode, the GPOUT pin must be raised from logic low to logic high for at least 200 μs .

7.4.2 POR and INITIALIZATION Modes

Upon a POR, the fuel gauge copies ROM-based configuration defaults to RAM and begins INITIALIZATION mode where essential data is initialized. The occurrence of a POR or a *Control()* *RESET* subcommand will set the *Flags()* [ITPOR] status bit to indicate that RAM has returned to ROM default data. When battery insertion is detected, a series of initialization activities begin including an OCV measurement. In addition, *CONTROL_STATUS* [QMAX_UP] and [RES_UP] bits are cleared to allow unfiltered learning of Qmax and impedance. Completion of INITIALIZATION mode is indicated by the *CONTROL_STATUS* [INITCOMP] bit.

7.4.3 CONFIG UPDATE Mode

If the application requires different configuration data for the fuel gauge, the system processor can update RAM-based data memory parameters using the *Control()* *SET_CFGUPDATE* subcommand to enter the CONFIG UPDATE mode. Operation in this mode is indicated by the *Flags()* [*CFGUPMODE*] status bit. In this mode, fuel gauging is suspended while the host uses the extended data commands to modify the configuration data blocks. To resume fuel gauging, the host must send a *Control()* *SOFT_RESET* subcommand to exit the CONFIG UPDATE mode which clears both *Flags()* [*ITPOR*] and [*CFGUPMODE*] bits. After a timeout of approximately 240 seconds (4 minutes), the gauge will automatically exit the CONFIG UPDATE mode if it has not received a *SOFT_RESET* subcommand from the host.

7.4.4 NORMAL Mode

The fuel gauge is in NORMAL mode when not in any other power mode. During this mode, *AverageCurrent()*, *Voltage()*, and *Temperature()* measurements are taken once per second, and the interface data set is updated. Decisions to change states are also made. This mode is exited by activating a different power mode.

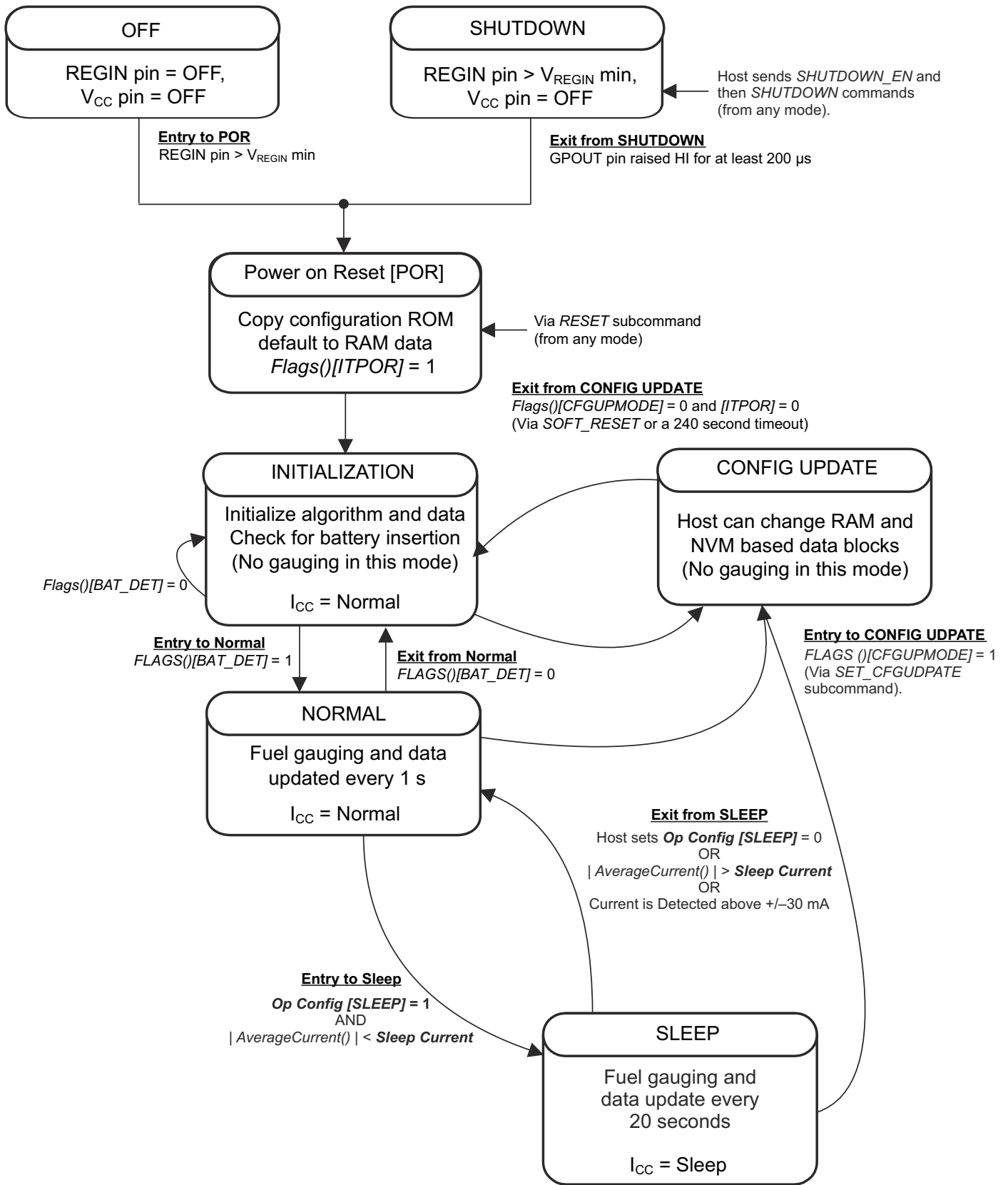
Because the gauge consumes the most power in NORMAL mode, the Impedance Track algorithm minimizes the time the fuel gauge remains in this mode.

7.4.5 SLEEP Mode

SLEEP mode is an ultra low power operating mode. It is entered automatically if the feature is enabled (*OpConfig* [*SLEEP*] = 1) and *AverageCurrent()* is below the programmable level **Sleep Current** (default = 10 mA). Once entry into SLEEP mode has been qualified, but prior to entering it, the fuel gauge may perform an ADC autocalibration to minimize the offset.

During SLEEP mode, the fuel gauge remains in a very-low-power state and automatically takes data measurements every 20 seconds.

After taking the measurements on the 20-second interval, the fuel gauge will exit SLEEP mode when *AverageCurrent()* rises above **Sleep Current** (default = 10 mA). Alternatively, an early data measurement before the 20-second interval is possible if the instantaneous current detected by an internal hardware comparator is above an approximate threshold of ± 30 mA.



7-5. Power Mode Diagram

8 Application and Implementation

注

以下のアプリケーション情報は、TI の製品仕様に含まれるものではなく、TI ではその正確性または完全性を保証いたしません。個々の目的に対する製品の適合性については、お客様の責任で判断していただくことになります。お客様は自身の設計実装を検証しテストすることで、システムの機能を確認する必要があります。

8.1 Application Information

The BQ27426 fuel gauge is a microcontroller peripheral that provides system-side fuel gauging for single-cell Li-Ion batteries. Battery fuel gauging with the fuel gauge requires connections only to PACK+ and PACK– for a removable battery pack or embedded battery circuit. To allow for optimal performance in the end application, special considerations must be taken to ensure minimization of measurement error through proper printed circuit board (PCB) board layout. Such requirements are detailed in [セクション 8.2.1](#).

8.2 Typical Applications

The BQ27426 device can be used with a high-side current sense resistor (as shown in [図 8-1](#)) or a low-side current sense resistor (as shown in [図 8-2](#)).

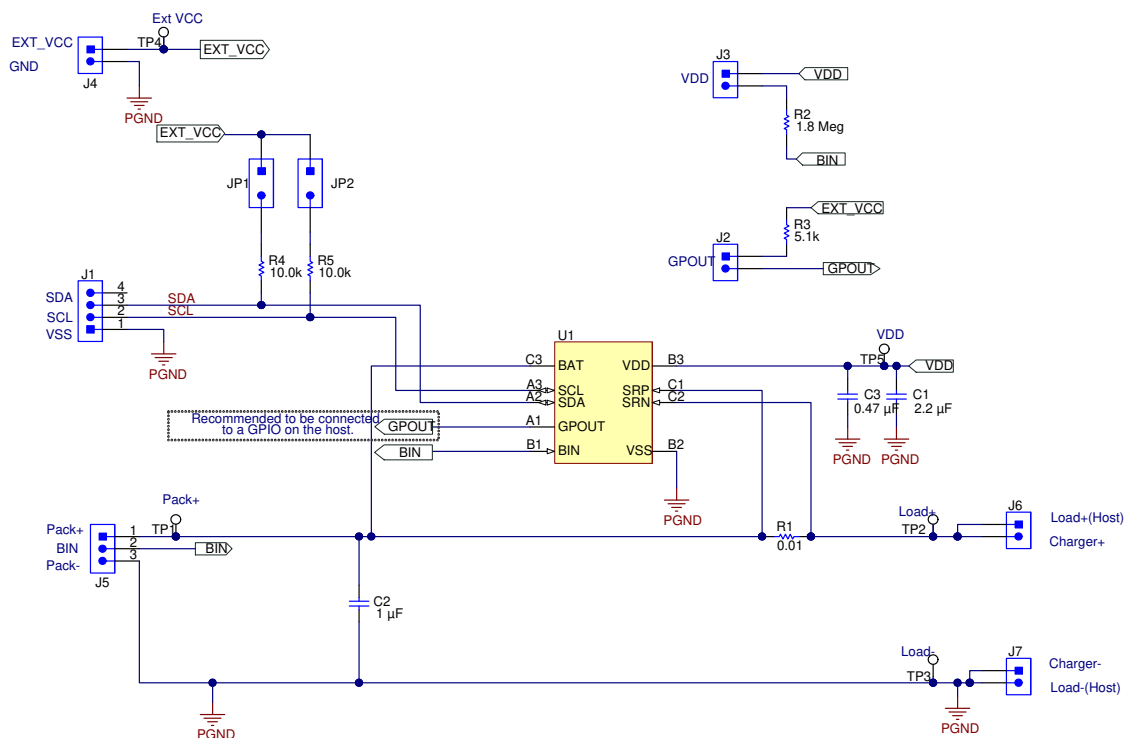
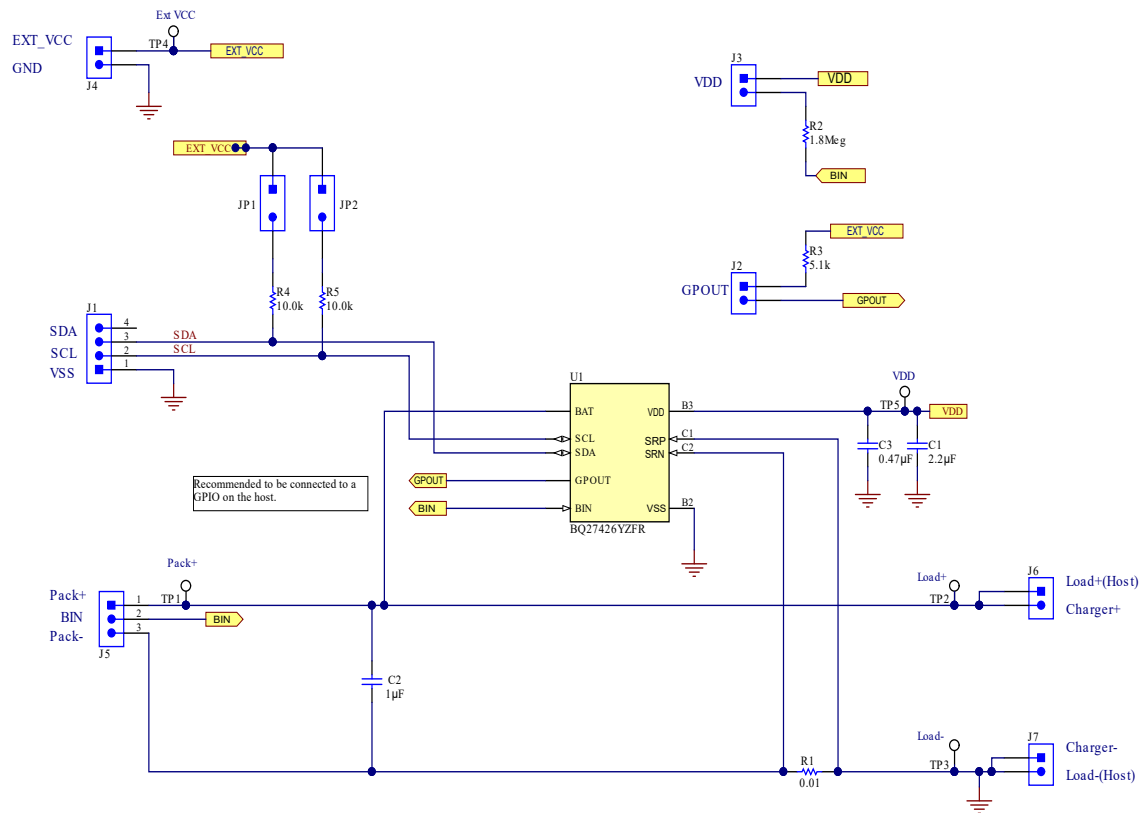


図 8-1. Typical Application with High-Side Current Sense Resistor



8-2. Typical Application with Low-Side Current Sense Resistor

8.2.1 Design Requirements

As shipped from the Texas Instruments factory, the BQ27426 fuel gauge comes with three preprogrammed chemistry profiles and gauging parameters in ROM. Upon device reset, the contents of ROM are copied to associated volatile RAM-based data memory blocks. For proper operation, all parameters in RAM-based data memory require initialization. This can be done by updating data memory parameters in a lab/evaluation situation or by downloading the parameters from a host. The [BQ27426 Technical Reference Manual](#) shows the default and typically expected values appropriate for most applications.

8.2.2 Detailed Design Procedure

8.2.2.1 BAT Voltage Sense Input

A ceramic capacitor at the input to the BAT pin is used to bypass AC voltage ripple to ground, greatly reducing its influence on battery voltage measurements. It proves most effective in applications with load profiles that exhibit high-frequency current pulses (that is, cell phones) but is recommended for use in all applications to reduce noise on this sensitive high-impedance measurement node.

8.2.2.2 Integrated LDO Capacitor

The fuel gauge has an integrated LDO with an output on the V_{DD} pin of approximately 1.8 V. A capacitor of value at least 2.2 µF should be connected between the V_{DD} pin and V_{SS}. The capacitor must be placed close to the gauge IC and have short traces to both the V_{DD} pin and V_{SS}. This regulator must not be used to provide power for other devices in the system.

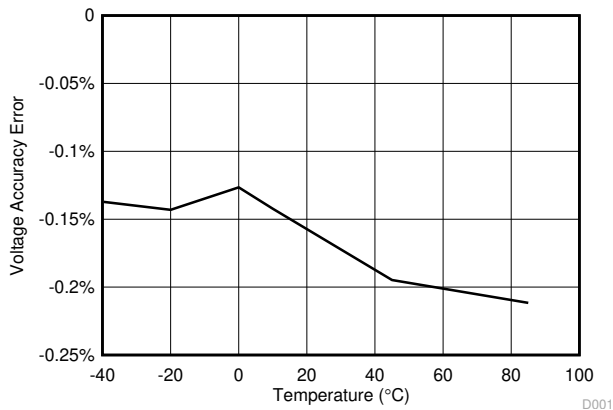
8.2.2.3 Sense Resistor Selection

Any variation encountered in the resistance present between the SRP and SRN pins of the fuel gauge will affect the resulting differential voltage, and derived current, it senses. As such, it is recommended to select a sense resistor with minimal tolerance and temperature coefficient of resistance (TCR) characteristics. The standard recommendation based on best compromise between performance and price is a 1% tolerance, 50 ppm drift sense resistor with a 1-W power rating.

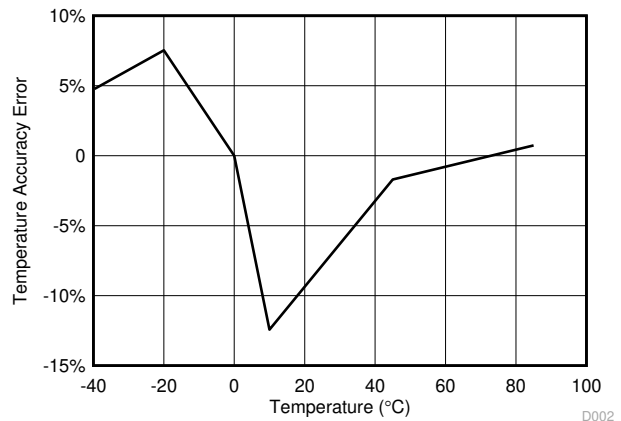
8.2.3 External Thermistor Support

The fuel gauge temperature sensing circuitry is designed to work with a negative temperature coefficient-type (NTC) thermistor with a characteristic 10-kΩ resistance at room temperature (25°C). The default curve-fitting coefficients configured in the fuel gauge specifically assume a Semitec 103AT type thermistor profile and so that is the default recommendation for thermistor selection purposes. Moving to a separate thermistor resistance profile (for example, JT-2 or others) requires an update to the default thermistor coefficients which can be modified in RAM to ensure highest accuracy temperature measurement performance.

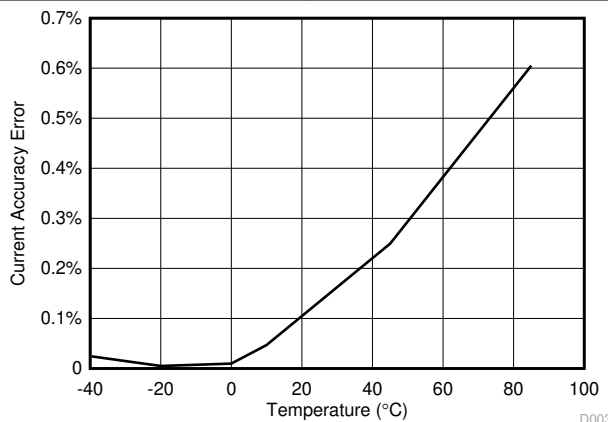
8.2.4 Application Curves



8-3. Voltage Accuracy Error



8-4. Internal Temperature Accuracy Error



8-5. Current Accuracy Error

9 Power Supply Recommendation

9.1 Power Supply Decoupling

The battery connection on the BAT pin is used for two purposes:

- To supply power to the fuel gauge
- To provide an input for voltage measurement of the battery.

A capacitor of value of at least 1 μF should be connected between BAT and V_{SS} . The capacitor should be placed close to the gauge IC and have short traces to both the BAT pin and V_{SS} .

The fuel gauge has an integrated LDO with an output on the V_{DD} pin of approximately 1.8 V. A capacitor of value at least 2.2 μF should be connected between the V_{DD} pin and V_{SS} . The capacitor should be placed close to the gauge IC and have short traces to both the V_{DD} pin and V_{SS} . This regulator must not be used to provide power for other devices in the system.

10 Layout

10.1 Layout Guidelines

- A capacitor of a value of at least 2.2 μF is connected between the V_{DD} pin and V_{SS} . The capacitor should be placed close to the gauge IC and have short traces to both the V_{DD} pin and V_{SS} . This regulator must not be used to provide power for other devices in the system.
- It is required to have a capacitor of at least 1.0 μF connect between the BAT pin and V_{SS} if the connection between the battery pack and the gauge BAT pin has the potential to pick up noise. The capacitor should be placed close to the gauge IC and have short traces to both the V_{DD} pin and V_{SS} .
- If the external pullup resistors on the SCL and SDA lines will be disconnected from the host during low-power operation, it is recommended to use external 1-M Ω pulldown resistors to V_{SS} to avoid floating inputs to the I²C engine.
- The value of the SCL and SDA pullup resistors should take into consideration the pullup voltage and the bus capacitance. Some recommended values, assuming a bus capacitance of 10 pF, can be seen in 表 10-1.

表 10-1. Recommended Values for SCL and SDA Pullup Resistors

VPU	1.8 V		3.3 V	
	Range	Typical	Range	Typical
R_{PU}	$400 \Omega \leq R_{\text{PU}} \leq 37.6 \text{ k}\Omega$	10 k Ω	$900 \Omega \leq R_{\text{PU}} \leq 29.2 \text{ k}\Omega$	5.1 k Ω

- If the host is not using the GPOUT functionality, then it is recommended that GPOUT be connected to a GPIO of the host so that in cases where the device is in SHUTDOWN, toggling GPOUT can wake the gauge up from the SHUTDOWN state.
- If the battery pack thermistor is not connected to the BIN pin, the BIN pin should be pulled down to V_{SS} with a 10-k Ω resistor.
- The BIN pin should not be shorted directly to V_{DD} or V_{SS} .
- The actual device ground is pin 3 (V_{SS}).
- The SRP and SRN pins should be Kelvin connected to the R_{SENSE} terminals. SRP to the battery pack side of R_{SENSE} and SRN to the system side of the R_{SENSE} .
- Kelvin connects the BAT pin to the battery PACKP terminal.

10.2 Layout Example

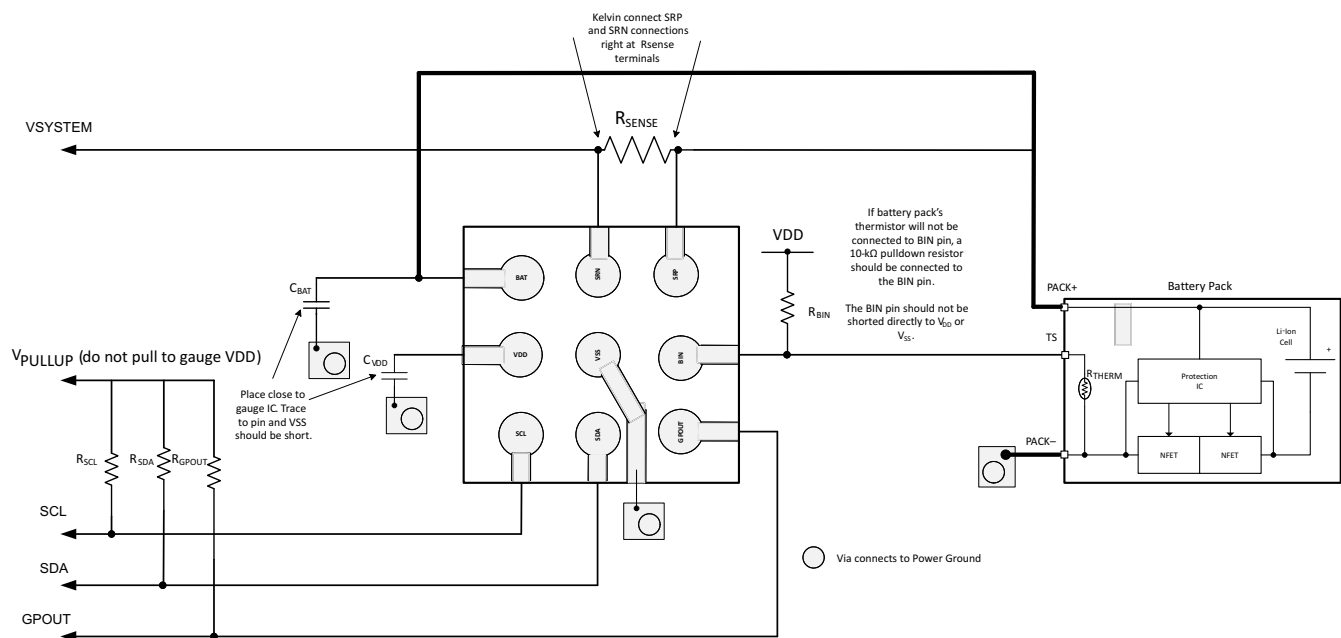


图 10-1. BQ27426 Board Layout

11 Device and Documentation Support

11.1 Documentation Support

11.1.1 サード・パーティ製品に関する免責事項

サード・パーティ製品またはサービスに関するテキサス・インスツルメンツの出版物は、単独またはテキサス・インスツルメンツの製品、サービスと一緒に提供される場合に関係なく、サード・パーティ製品またはサービスの適合性に関する是認、サード・パーティ製品またはサービスの是認の表明を意味するものではありません。

11.1.2 Related Documentation

- [BQ27426 Technical Reference Manual](#)
- [Single Cell Gas Gauge Circuit Design](#)
- [Single Cell Impedance Track Printed-Circuit Board Layout Guide](#)
- [ESD and RF Mitigation in Handheld Battery Electronics](#)

11.2 ドキュメントの更新通知を受け取る方法

ドキュメントの更新についての通知を受け取るには、[ti.com](#) のデバイス製品フォルダを開いてください。「更新の通知を受け取る」をクリックして登録すると、変更されたすべての製品情報に関するダイジェストを毎週受け取れます。変更の詳細については、修正されたドキュメントに含まれている改訂履歴をご覧ください。

11.3 サポート・リソース

[TI E2E™ サポート・フォーラム](#)は、エンジニアが検証済みの回答と設計に関するヒントをエキスパートから迅速かつ直接得ることができる場所です。既存の回答を検索したり、独自の質問をしたりすることで、設計に必要な支援を迅速に得ることができます。

リンクされているコンテンツは、該当する貢献者により、現状のまま提供されるものです。これらは TI の仕様を構成するものではなく、必ずしも TI の見解を反映したものではありません。TI の[使用条件](#)を参照してください。

11.4 Trademarks

Impedance Track™, NanoFree™, and TI E2E™ are trademarks of Texas Instruments.

すべての商標は、それぞれの所有者に帰属します。

11.5 静電気放電に関する注意事項



この IC は、ESD によって破損する可能性があります。テキサス・インスツルメンツは、IC を取り扱う際には常に適切な注意を払うことを推奨します。正しい取り扱いおよび設置手順に従わない場合、デバイスを破損するおそれがあります。

ESD による破損は、わずかな性能低下からデバイスの完全な故障まで多岐にわたります。精密な IC の場合、パラメータがわずかに変化するだけで公表されている仕様から外れる可能性があるため、破損が発生しやすくなっています。

11.6 用語集

[テキサス・インスツルメンツ用語集](#) この用語集には、用語や略語の一覧および定義が記載されています。

12 Mechanical, Packaging, and Orderable Information

The following pages include mechanical, packaging, and orderable information. This information is the most current data available for the designated devices. This data is subject to change without notice and revision of this document. For browser-based versions of this data sheet, refer to the left-hand navigation.

PACKAGING INFORMATION

Orderable Device	Status (1)	Package Type	Package Drawing	Pins	Package Qty	Eco Plan (2)	Lead finish/ Ball material (6)	MSL Peak Temp (3)	Op Temp (°C)	Device Marking (4/5)	Samples
BQ27426YZFR	ACTIVE	DSBGA	YZF	9	3000	RoHS & Green	SNAGCU	Level-1-260C-UNLIM	-40 to 85	BQ27426	Samples
BQ27426YZFT	ACTIVE	DSBGA	YZF	9	250	RoHS & Green	SNAGCU	Level-1-260C-UNLIM	-40 to 85	BQ27426	Samples

(1) The marketing status values are defined as follows:

ACTIVE: Product device recommended for new designs.

LIFEBUY: TI has announced that the device will be discontinued, and a lifetime-buy period is in effect.

NRND: Not recommended for new designs. Device is in production to support existing customers, but TI does not recommend using this part in a new design.

PREVIEW: Device has been announced but is not in production. Samples may or may not be available.

OBSOLETE: TI has discontinued the production of the device.

(2) **RoHS:** TI defines "RoHS" to mean semiconductor products that are compliant with the current EU RoHS requirements for all 10 RoHS substances, including the requirement that RoHS substance do not exceed 0.1% by weight in homogeneous materials. Where designed to be soldered at high temperatures, "RoHS" products are suitable for use in specified lead-free processes. TI may reference these types of products as "Pb-Free".

RoHS Exempt: TI defines "RoHS Exempt" to mean products that contain lead but are compliant with EU RoHS pursuant to a specific EU RoHS exemption.

Green: TI defines "Green" to mean the content of Chlorine (Cl) and Bromine (Br) based flame retardants meet JS709B low halogen requirements of <=1000ppm threshold. Antimony trioxide based flame retardants must also meet the <=1000ppm threshold requirement.

(3) MSL, Peak Temp. - The Moisture Sensitivity Level rating according to the JEDEC industry standard classifications, and peak solder temperature.

(4) There may be additional marking, which relates to the logo, the lot trace code information, or the environmental category on the device.

(5) Multiple Device Markings will be inside parentheses. Only one Device Marking contained in parentheses and separated by a "~" will appear on a device. If a line is indented then it is a continuation of the previous line and the two combined represent the entire Device Marking for that device.

(6) Lead finish/Ball material - Orderable Devices may have multiple material finish options. Finish options are separated by a vertical ruled line. Lead finish/Ball material values may wrap to two lines if the finish value exceeds the maximum column width.

Important Information and Disclaimer:The information provided on this page represents TI's knowledge and belief as of the date that it is provided. TI bases its knowledge and belief on information provided by third parties, and makes no representation or warranty as to the accuracy of such information. Efforts are underway to better integrate information from third parties. TI has taken and continues to take reasonable steps to provide representative and accurate information but may not have conducted destructive testing or chemical analysis on incoming materials and chemicals. TI and TI suppliers consider certain information to be proprietary, and thus CAS numbers and other limited information may not be available for release.

In no event shall TI's liability arising out of such information exceed the total purchase price of the TI part(s) at issue in this document sold by TI to Customer on an annual basis.

TAPE AND REEL INFORMATION

QUADRANT ASSIGNMENTS FOR PIN 1 ORIENTATION IN TAPE


*All dimensions are nominal

Device	Package Type	Package Drawing	Pins	SPQ	Reel Diameter (mm)	Reel Width W1 (mm)	A0 (mm)	B0 (mm)	K0 (mm)	P1 (mm)	W (mm)	Pin1 Quadrant
BQ27426YZFR	DSBGA	YZF	9	3000	180.0	8.4	1.78	1.78	0.69	4.0	8.0	Q1
BQ27426YZFT	DSBGA	YZF	9	250	180.0	8.4	1.78	1.78	0.69	4.0	8.0	Q1

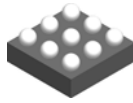
TAPE AND REEL BOX DIMENSIONS



*All dimensions are nominal

Device	Package Type	Package Drawing	Pins	SPQ	Length (mm)	Width (mm)	Height (mm)
BQ27426YZFR	DSBGA	YZF	9	3000	182.0	182.0	20.0
BQ27426YZFT	DSBGA	YZF	9	250	182.0	182.0	20.0

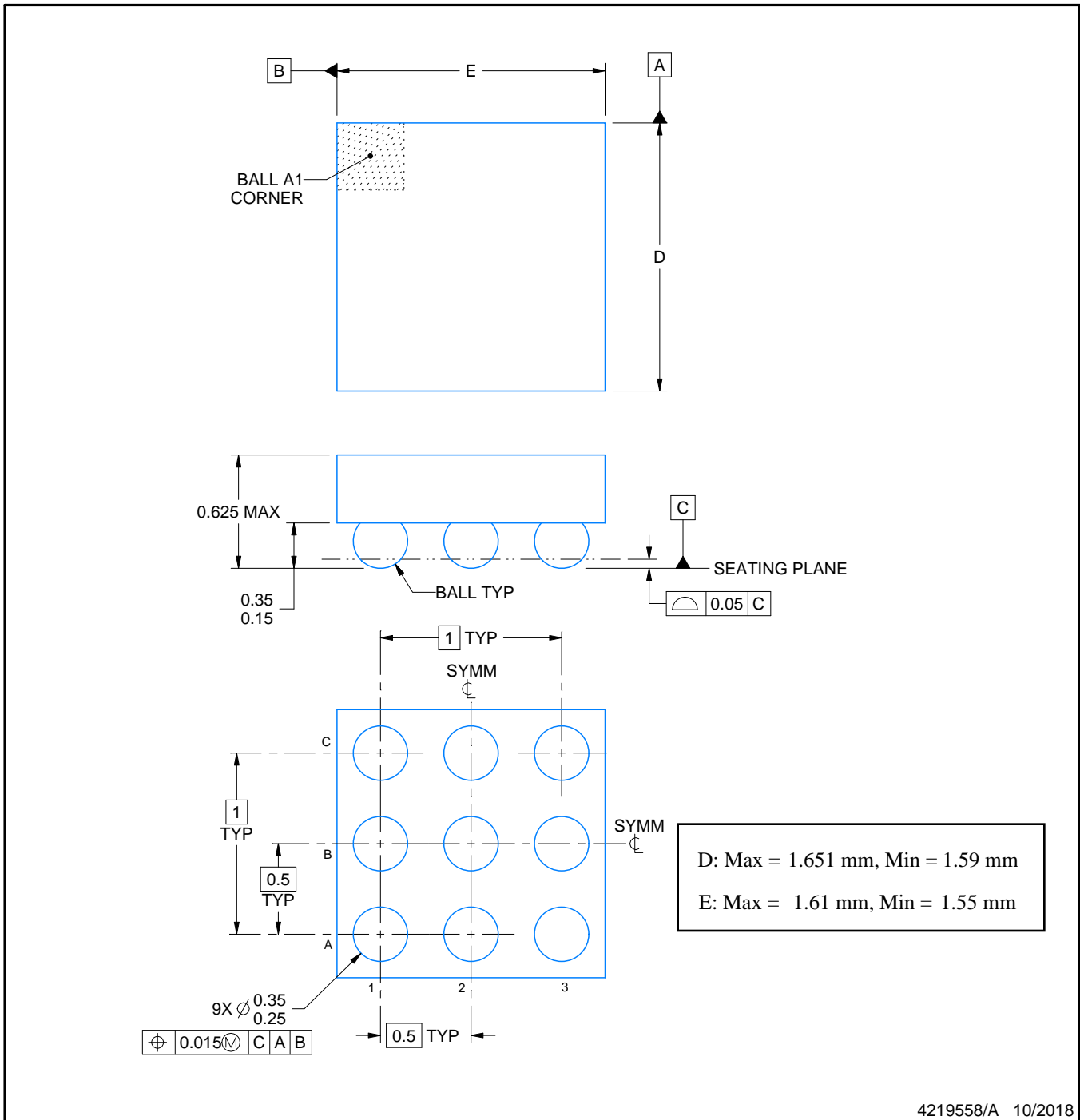
YZF0009



PACKAGE OUTLINE

DSBGA - 0.625 mm max height

DIE SIZE BALL GRID ARRAY



NOTES:

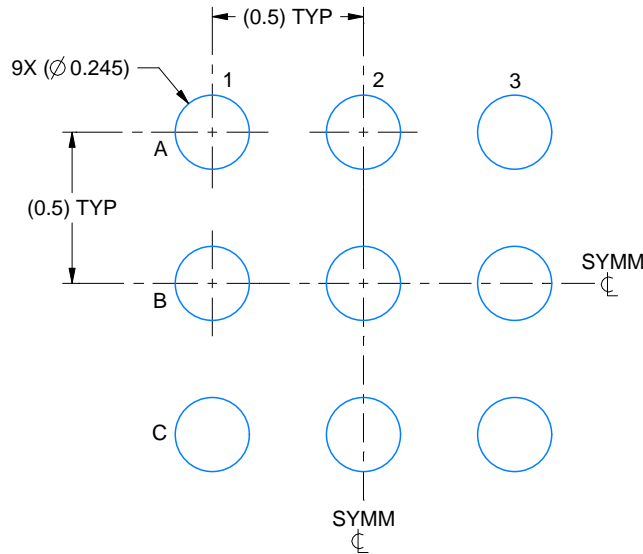
1. All linear dimensions are in millimeters. Any dimensions in parenthesis are for reference only. Dimensioning and tolerancing per ASME Y14.5M.
2. This drawing is subject to change without notice.

EXAMPLE BOARD LAYOUT

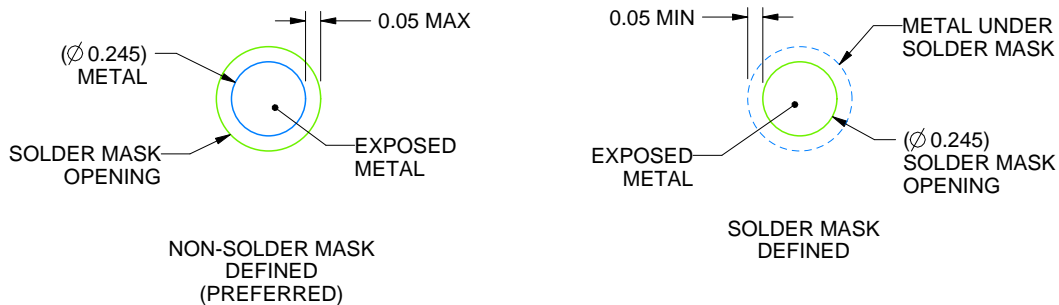
YZF0009

DSBGA - 0.625 mm max height

DIE SIZE BALL GRID ARRAY



LAND PATTERN EXAMPLE
EXPOSED METAL SHOWN
SCALE: 40X



SOLDER MASK DETAILS
NOT TO SCALE

4219558/A 10/2018

NOTES: (continued)

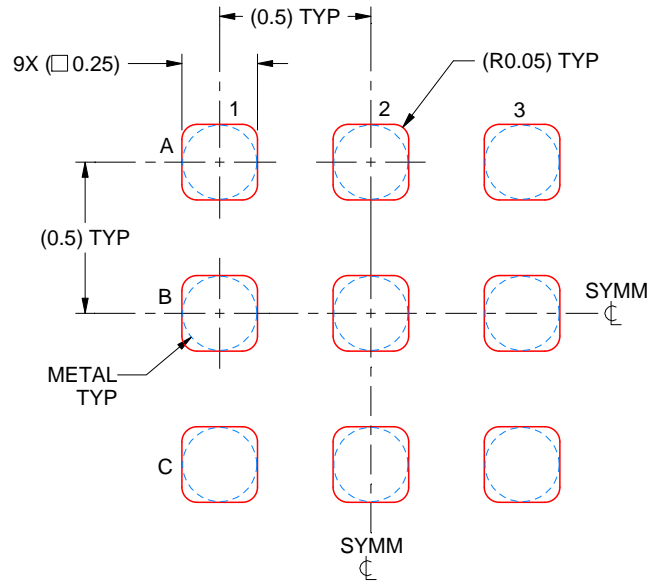
- 3. Final dimensions may vary due to manufacturing tolerance considerations and also routing constraints. See Texas Instruments Literature No. SNVA009 (www.ti.com/lit/snva009).

EXAMPLE STENCIL DESIGN

YZF0009

DSBGA - 0.625 mm max height

DIE SIZE BALL GRID ARRAY



SOLDER PASTE EXAMPLE
BASED ON 0.1 mm THICK STENCIL
SCALE: 40X

4219558/A 10/2018

NOTES: (continued)

4. Laser cutting apertures with trapezoidal walls and rounded corners may offer better paste release.

重要なお知らせと免責事項

TI は、技術データと信頼性データ (データシートを含みます)、設計リソース (リファレンス・デザインを含みます)、アプリケーションや設計に関する各種アドバイス、Web ツール、安全性情報、その他のリソースを、欠陥が存在する可能性のある「現状のまま」提供しており、商品性および特定目的に対する適合性の黙示保証、第三者の知的財産権の非侵害保証を含むいかなる保証も、明示的または黙示的にかかわらず拒否します。

これらのリソースは、TI 製品を使用する設計の経験を積んだ開発者への提供を意図したものです。(1) お客様のアプリケーションに適した TI 製品の選定、(2) お客様のアプリケーションの設計、検証、試験、(3) お客様のアプリケーションに該当する各種規格や、その他のあらゆる安全性、セキュリティ、規制、または他の要件への確実な適合に関する責任を、お客様のみが単独で負うものとし、

上記の各種リソースは、予告なく変更される可能性があります。これらのリソースは、リソースで説明されている TI 製品を使用するアプリケーションの開発の目的でのみ、TI はその使用をお客様に許諾します。これらのリソースに関して、他の目的で複製することや掲載することは禁止されています。TI や第三者の知的財産権のライセンスが付与されている訳ではありません。お客様は、これらのリソースを自身で使用した結果発生するあらゆる申し立て、損害、費用、損失、責任について、TI およびその代理人を完全に補償するものとし、TI は一切の責任を拒否します。

TI の製品は、[TI の販売条件](#)、または [ti.com](https://www.ti.com) やかかる TI 製品の関連資料などのいずれかを通じて提供する適用可能な条項の下で提供されています。TI がこれらのリソースを提供することは、適用される TI の保証または他の保証の放棄の拡大や変更を意味するものではありません。

お客様がいかなる追加条項または代替条項を提案した場合でも、TI はそれらに異議を唱え、拒否します。

郵送先住所 : Texas Instruments, Post Office Box 655303, Dallas, Texas 75265
Copyright © 2023, Texas Instruments Incorporated