

BQ2969 2/3/4 直列セル リチウムイオン バッテリ向け過電圧保護、安定化出力電源付き

1 特長

- 2/3/4 直列セル過電圧保護 (OVP)
- 出荷時にプログラムされた OVP スレッシュホールド (3.6V ~ 5.2V)、 $\pm 12\text{mV}$ の精度
- FET 駆動出力をトリガするための固定遅延タイム (0.25s ~ 6.5s を選択)
- 出力ピンのオプション:
 - アクティブ High
 - オープンドレイン、アクティブ プルダウン
 - オープンドレイン、非アクティブ プルダウン
- 3.8V、3.3V、3.15V、3.0V、2.5V、1.8V または 1.5V にプログラム可能な 3mA 安定化出力を内蔵
- 工場出荷時にプログラムされた低電圧 (UV) 検出スレッシュホールド (1V ~ 4.15V) によりレギュレータをディセーブル
- 低電圧状態でも OVP は動作を維持
- 複数の電力モード:
 - 通常モード - OV または UV なし: $I_{CC} \cong 1.23\mu\text{A}$
 - 低電圧モード - UV 検出時: $I_{CC} \cong 0.25\mu\text{A}$
 - 過電圧モード - OV 検出時: $I_{CC} \cong 19\mu\text{A}$
- セル入力あたりのリーク電流が小さい: 100nA 未満
- 小さいパッケージ占有面積
 - 8 ピン WSON (2mm × 2mm)

2 アプリケーション

- ノート PC
- ウルトラブック
- ポータブル医療用電子機器
- UPS バッテリ バックアップ システム

3 概要

BQ2969 ファミリーは、リチウムイオン および LiFePO_4 (LFP) バッテリ パック アプリケーション向け 3mA 安定化出力電源付き高精度低消費電力の過電圧保護素子です。

2~4 直列セル スタック内の各セルの過電圧状態を個別に監視します。いずれかのセルで過電圧状態が検出されると、内部固定遅延タイムが起動します。遅延タイムがタイムアウトすると、過電圧状態が発生したことを示すために出力ピンがアクティブ状態にトリガされます。

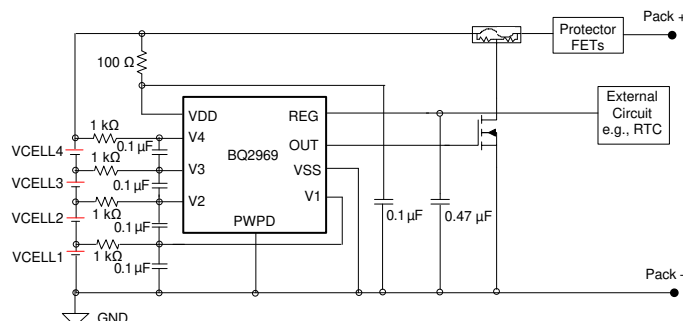
安定化出力電源は、リアルタイム クロック (RTC) 発振器などの常時オン回路を駆動するために最大 3mA の電流を出力します。BQ2969 ファミリーは、いずれかのセル電圧がプログラム可能な低電圧スレッシュホールドを下回ると安定化出力をオフにする自己ディセーブル機能を備えており、それによってバッテリの消耗を防止できます。

BQ2969 ファミリーは非常に小さい消費電力で動作し、通常動作時の消費電流はわずか $1.23\mu\text{A}$ (レギュレータの負荷電流を除く) であり、低電圧状態では $0.25\mu\text{A}$ まで低下します。低電圧状態であっても、本デバイスは他のいずれかのセルで過電圧状態を検出でき (不均衡なパックで発生する可能性があります)、出力ピンをアサートすることができます。

製品情報

部品番号 (1)	パッケージ	本体サイズ (公称)
BQ2969xy	DSG (8-WSON)	2.00 mm × 2.00 mm

- (1) 利用可能なすべてのパッケージについては、データシートの末尾にある注文情報を参照してください。



概略回路図



Table of Contents

1 特長	1	8 Application and Implementation	13
2 アプリケーション	1	8.1 Application Information.....	13
3 概要	1	8.2 Typical Application.....	13
4 Device Comparison Table	3	9 Power Supply Recommendations	18
5 Pin Configuration and Functions	3	10 Layout	18
6 Specifications	4	10.1 Layout Guidelines.....	18
6.1 Absolute Maximum Ratings.....	4	10.2 Layout Example.....	18
6.2 ESD Ratings.....	4	11 Device and Documentation Support	20
6.3 Recommended Operating Conditions.....	4	11.1 サード・パーティ製品に関する免責事項.....	20
6.4 Thermal Information.....	4	11.2 Receiving Notification of Documentation Updates..	20
6.5 Electrical Characteristics.....	5	11.3 サポート・リソース.....	20
6.6 Typical Characteristics.....	7	11.4 Trademarks.....	20
7 Detailed Description	8	11.5 静電気放電に関する注意事項.....	20
7.1 Overview.....	8	11.6 用語集.....	20
7.2 Functional Block Diagram.....	9	12 Revision History	20
7.3 Feature Description.....	9	13 Mechanical, Packaging, and Orderable Information	20
7.4 Device Functional Modes.....	11		

4 Device Comparison Table

表 4-1. BQ2969 Device Options

BQ2969 Device	OVP (V)	OVP DELAY (s)	OVP HYSTERESIS (mV)	UV (V)	LDO (V)	OUT PIN MODE	LATCH OUT
BQ296900	4.65	6.5	300	2.5	3.3	active high	No
BQ296907	4.65	6.5	300	2.5	1.5	active high	No
BQ2969xy ⁽¹⁾	3.6 – 5.2	0.25, 0.5, 1, 2, 3, 4, 5.5, 6.5	150, 300	1 – 4.15	1.5, 1.8, 2.5, 3.0, 3.15, 3.3, 3.8	active high, open-drain active pulldown, open-drain inactive pulldown	Yes, No

(1) PRODUCT PREVIEW. Contact TI for more information.

5 Pin Configuration and Functions

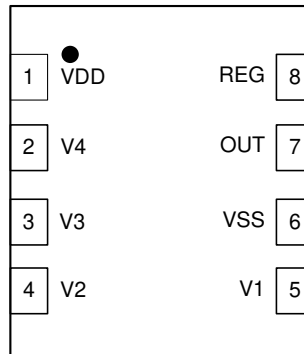


図 5-1. 2-Series to 4-Series BQ2969 (Top View)

表 5-1. Pin Functions

PIN		TYPE ⁽¹⁾	DESCRIPTION
NAME	BQ2962		
VDD	1	P	Power supply input
V4	2	IA	Sense input for positive voltage of the fourth cell from the bottom of the stack
V3	3	IA	Sense input for positive voltage of the third cell from the bottom of the stack
V2	4	IA	Sense input for positive voltage of the second cell from the bottom of the stack
V1	5	IA	Sense input for positive voltage of the lowest cell from the bottom of the stack
VSS	6	P	Electrically connected to integrated circuit ground and negative terminal of the lowest cell in the stack
OUT	7	OA	Analog output drive for an overvoltage fault signal; CMOS output high or open-drain active pulldown or open-drain inactive pulldown
REG	8	OA	Regulated supply output. Requires an external ceramic capacitor for stability
PWPD	-	P	TI recommends connecting the exposed pad to VSS on PCB.

(1) IA = Analog input, OA = Analog Output, P = Power connection

6 Specifications

6.1 Absolute Maximum Ratings

Over operating free-air temperature range of -40°C to 110°C (unless otherwise noted)⁽¹⁾

PARAMETER		MIN	MAX	UNIT
Supply voltage range	VDD – VSS	-0.3	30	V
	VDD – V4	-0.3	30	V
Input voltage range	V1 – VSS, V2 – VSS, V3 – VSS, V4 – VSS	-0.3	30	V
Output voltage range	REG – VSS	-0.3	5.0	V
Output voltage range	OUT – VSS	-0.3	30	V
Storage temperature, T_{stg}		-65	150	$^{\circ}\text{C}$

- (1) Stresses beyond those listed under *Absolute Maximum Ratings* may cause permanent damage to the device. These are stress ratings only, which do not imply functional operation of the device at these or any other conditions beyond those indicated under *Recommended Operating Conditions*. Exposure to absolute-maximum-rated conditions for extended periods may affect device reliability.

6.2 ESD Ratings

PARAMETER			VALUE	UNIT
$V_{\text{(ESD)}}$	Electrostatic discharge	Human body model (HBM), per ANSI/ESDA/JEDEC JS-001, all pins ⁽¹⁾	2000	V
$V_{\text{(ESD)}}$	Electrostatic discharge	Charged device model (CDM), per JEDEC specification JESD22-C101, all pins ⁽²⁾	500	V

- (1) JEDEC document JEP155 states that 500V HBM allows safe manufacturing with a standard ESD control process.
 (2) JEDEC document JEP157 states that 250V CDM allows safe manufacturing with a standard ESD control process.

6.3 Recommended Operating Conditions

Typical values stated where $T_A = 25^{\circ}\text{C}$ and $V_{\text{DD}} = 15.2\text{V}$, MIN/MAX values stated where $T_A = -40^{\circ}\text{C}$ to 110°C , and $V_{\text{DD}} = 3\text{V}$ to 22V (unless otherwise noted).

PARAMETER		MIN	TYP	MAX	UNIT
Supply voltage, V_{DD}	Supply voltage, V_{DD} (REG $\leq 2.5\text{V}$)	3		22	V
	Supply voltage, V_{DD} (REG $\leq 3.3\text{V}$)	4		22	V
	Supply voltage, V_{DD} (REG $\geq 3.8\text{V}$)	7.5		22	V
	Normal operation, $V_{\text{DD}} - V4$ ⁽¹⁾	-0.2		0.2	V
	Customer test mode, $V_{\text{DD}} - V4$		10		V
Input voltage range	V4 – V3, V3 – V2, V2 – V1, V1 – VSS	0		5.5	V
Operating ambient temperature range, T_A	Operating ambient temperature range, T_A	-40		110	$^{\circ}\text{C}$

- (1) Specified by design

6.4 Thermal Information

THERMAL	THERMAL	BQ2969	UNIT
		SON	UNIT
		(8 PINS)	UNIT
$R_{\theta\text{JA}}$	Junction-to-ambient thermal resistance	80.0	$^{\circ}\text{C}/\text{W}$
$R_{\theta\text{JC(top)}}$	Junction-to-case(top) thermal resistance	102.5	$^{\circ}\text{C}/\text{W}$
$R_{\theta\text{JB}}$	Junction-to-board thermal resistance	46.5	$^{\circ}\text{C}/\text{W}$
Ψ_{JT}	Junction-to-top characterization parameter	6.1	$^{\circ}\text{C}/\text{W}$
Ψ_{JB}	Junction-to-board characterization parameter	46.5	$^{\circ}\text{C}/\text{W}$
$R_{\theta\text{JC(bottom)}}$	Junction-to-case(bottom) thermal resistance	22.7	$^{\circ}\text{C}/\text{W}$

6.5 Electrical Characteristics

Typical values stated where $T_A = 25^\circ\text{C}$ and $V_{DD} = 15.2\text{V}$, MIN/MAX values stated where $T_A = -40^\circ\text{C}$ to 110°C , and $V_{DD} = 3\text{V}$ to 22V (unless otherwise noted).

PARAMETER	PARAMETER	TEST CONDITIONS	MIN	TYP	MAX	UNIT
Voltage Protection Thresholds						
V_{OV}	$V_{(PROTECT)}$ Overvoltage Detection	$R_{IN} = 1\text{k}\Omega$	Applicable Voltage: 3.6V to 5.2V			V
V_{OVHYST}	OV Detection Hysteresis	Nominal setting of 150mV	100	150	200	mV
		Nominal setting of 300mV	250	300	350	mV
V_{OA}	OV Detection Accuracy	$T_A = 25^\circ\text{C}$	-12		12	mV
$V_{OADRIFT}$	OV Detection Accuracy Across Temperature ⁽¹⁾	$T_A = -40^\circ\text{C}$	-40		40	mV
		$T_A = -10^\circ\text{C}$	-22		22	mV
		$T_A = 55^\circ\text{C}$	-24		24	mV
		$T_A = 85^\circ\text{C}$	-37		37	mV
		$T_A = 110^\circ\text{C}$	-50		50	mV
Supply and Leakage Current						
I_{DD}	Supply Current in NORMAL mode	$(V_n - V_{n-1}) = (V_1 - V_{SS}) = 3.8\text{V}$, $n = 2, 3, 4$, $V_{DD} = 15.2\text{V}$, $I_{REG} = 0\text{mA}$, $T_A = -10^\circ\text{C}$ to 60°C		1.23	2	μA
		$(V_n - V_{n-1}) = (V_1 - V_{SS}) = 3.8\text{V}$, $n = 2, 3, 4$, $V_{DD} = 15.2\text{V}$, $I_{REG} = 0\text{mA}$, $T_A = -40^\circ\text{C}$ to 110°C			2.5	μA
	Supply Current in UV	$(V_n - V_{n-1}) = 3.8\text{V}$, $n = 2, 3, 4$, and $V_{UVQUAL} < (V_1 - V_{SS}) < V_{UVREG}$, $V_{DD} = 11.4\text{V}$, $T_A = -10^\circ\text{C}$ to 60°C		0.25	0.5	μA
		$(V_n - V_{n-1}) = 3.8\text{V}$, $n = 2, 3, 4$, and $V_{UVQUAL} < (V_1 - V_{SS}) < V_{UVREG}$, $V_{DD} = 11.4\text{V}$, $T_A = -40^\circ\text{C}$ to 110°C			0.7	μA
	Supply Current in OV	$(V_n - V_{n-1}) = 3.8\text{V}$, $n = 2, 3, 4$, and $V_{OV} < (V_1 - V_{SS})$, $V_{DD} = 15.2\text{V}$, $T_A = -40^\circ\text{C}$ to 110°C		19	30	μA
I_{IN}	Input Current at V_n Pins	$(V_n - V_{n-1}) = (V_1 - V_{SS}) = 3.8\text{V}$, $n = 2, 3, 4$, $V_{DD} = 15.2\text{V}$, $T_A = 25^\circ\text{C}$	-0.1		0.1	μA
Input Voltage						
OUT Pin Driver						
V_{OUT}	Output Drive Voltage	OUT pin configured in active high mode, $(V_n - V_{n-1})$ or $(V_1 - V_{SS}) > V_{OV}$, $n = 2, 3, 4$, $I_{OH} = 100\mu\text{A}$, $V_{DD} \geq 7.5\text{V}$	5.5		8	V
		OUT pin configured in active high mode, $(V_n - V_{n-1})$ or $(V_1 - V_{SS}) > V_{OV}$, $n = 2, 3, 4$, $I_{OH} = 100\mu\text{A}$, $3\text{V} < V_{DD} < 7.5\text{V}$	$V_{DD} - 1.5$	$V_{DD} - 1.1$	V_{DD}	V
		OUT pin configured in active high mode, $(V_n - V_{n-1})$ and $(V_1 - V_{SS}) < V_{OV}$, $n = 2, 3, 4$, $I_{OL} = 100\mu\text{A}$ flowing into OUT pin.		190	400	mV
I_{OUTH}	OUT Source Current (during OV)	OUT pin configured in active high mode, $(V_n - V_{n-1})$ or $(V_1 - V_{SS}) > V_{OV}$, $n = 2, 3, 4$, $I_{OH} = 100\mu\text{A}$, $V_{DD} \geq 7.5\text{V}$, $I_{OUT} = 0\text{V}$, current measured sourced from OUT pin.	0.6		5.2	mA
I_{OUTL}	OUT Sink Current	OUT pin configured in active high, open-drain active pulldown, or open-drain inactive pulldown. Device output in pulldown state, OUT driven to 0.5V, current measured into OUT pin.	0.2		4	mA
OV Delay Timer						
t_{DELAY}	OV Delay Time ⁽²⁾	Internal fixed delay, 0.25 second delay option ⁽³⁾	0.14	0.25	0.38	s
		Internal fixed delay, 0.5 second delay option ⁽³⁾	0.34	0.5	0.68	s
		Internal fixed delay, 1 second delay option ⁽³⁾	0.74	1	1.28	s
		Internal fixed delay, 2 second delay option ⁽³⁾	1.54	2	2.48	s
		Internal fixed delay, 3 second delay option ⁽³⁾	2.4	3	3.6	s
		Internal fixed delay, 4 second delay option ⁽³⁾	3.2	4	4.8	s
		Internal fixed delay, 5.5 second delay option ⁽³⁾	4.4	5.5	6.6	s
		Internal fixed delay, 6.5 second delay option ⁽³⁾	5.2	6.5	7.8	s

Typical values stated where $T_A = 25^\circ\text{C}$ and $V_{DD} = 15.2\text{V}$, MIN/MAX values stated where $T_A = -40^\circ\text{C}$ to 110°C , and $V_{DD} = 3\text{V}$ to 22V (unless otherwise noted).

PARAMETER	PARAMETER	TEST CONDITIONS	MIN	TYP	MAX	UNIT
$t_{\text{DELAY_CTM}}$	OV Delay Time in Test Mode	Internal fixed delay		15		ms
$t_{\text{DELAY_RESET}}$	OV Delay Reset Time	With one cell voltage above V_{OV} , others cells below V_{OV} , minimum time the high cell voltage must fall below $V_{\text{OV}} - V_{\text{OVHYS}}$ to reset OV Delay Timer ⁽³⁾	0.1			ms
Regulated Supply Output, REG						
V_{REG}	REG Supply	$V_{\text{DD}} \geq 7.5\text{V}$, $I_{\text{REG}} = 10\mu\text{A}$, $C_{\text{REG}} = 0.47\mu\text{F}$, $V_{\text{REG}} = 3.8\text{V}$, $T_A = 25^\circ\text{C}$	3.724	3.8	3.876	V
		$V_{\text{DD}} \geq 4\text{V}$, $I_{\text{REG}} = 10\mu\text{A}$, $C_{\text{REG}} = 0.47\mu\text{F}$, $V_{\text{REG}} = 3.3\text{V}$, $T_A = 25^\circ\text{C}$	3.234	3.3	3.366	V
		$V_{\text{DD}} \geq 4\text{V}$, $I_{\text{REG}} = 10\mu\text{A}$, $C_{\text{REG}} = 0.47\mu\text{F}$, $V_{\text{REG}} = 3.15\text{V}$, $T_A = 25^\circ\text{C}$	3.087	3.15	3.213	V
		$V_{\text{DD}} \geq 4\text{V}$, $I_{\text{REG}} = 10\mu\text{A}$, $C_{\text{REG}} = 0.47\mu\text{F}$, $V_{\text{REG}} = 3.0\text{V}$, $T_A = 25^\circ\text{C}$	2.94	3.0	3.06	V
		$V_{\text{DD}} \geq 3\text{V}$, $I_{\text{REG}} = 10\mu\text{A}$, $C_{\text{REG}} = 0.47\mu\text{F}$, $V_{\text{REG}} = 2.5\text{V}$, $T_A = 25^\circ\text{C}$	2.45	2.5	2.55	V
		$V_{\text{DD}} \geq 3\text{V}$, $I_{\text{REG}} = 10\mu\text{A}$, $C_{\text{REG}} = 0.47\mu\text{F}$, $V_{\text{REG}} = 1.8\text{V}$, $T_A = 25^\circ\text{C}$	1.764	1.8	1.836	V
		$V_{\text{DD}} \geq 3\text{V}$, $I_{\text{REG}} = 10\mu\text{A}$, $C_{\text{REG}} = 0.47\mu\text{F}$, $V_{\text{REG}} = 1.5\text{V}$, $T_A = 25^\circ\text{C}$	1.470	1.5	1.530	V
V_{REG}	REG Supply	$V_{\text{DD}} \geq 7.5\text{V}$, $I_{\text{REG}} = 3\text{mA}$, $C_{\text{REG}} = 0.47\mu\text{F}$, $V_{\text{REG}} = 3.8\text{V}$	3.58	3.8	3.88	V
		$V_{\text{DD}} \geq 4\text{V}$, $I_{\text{REG}} = 3\text{mA}$, $C_{\text{REG}} = 0.47\mu\text{F}$, $V_{\text{REG}} = 3.3\text{V}$	3.12	3.3	3.39	V
		$V_{\text{DD}} \geq 4\text{V}$, $I_{\text{REG}} = 3\text{mA}$, $C_{\text{REG}} = 0.47\mu\text{F}$, $V_{\text{REG}} = 3.15\text{V}$	2.98	3.15	3.23	V
		$V_{\text{DD}} \geq 4\text{V}$, $I_{\text{REG}} = 3\text{mA}$, $C_{\text{REG}} = 0.47\mu\text{F}$, $V_{\text{REG}} = 3.0\text{V}$	2.84	3.0	3.08	V
		$V_{\text{DD}} \geq 3\text{V}$, $I_{\text{REG}} = 3\text{mA}$, $C_{\text{REG}} = 0.47\mu\text{F}$, $V_{\text{REG}} = 2.5\text{V}$	2.35	2.5	2.57	V
		$V_{\text{DD}} \geq 3\text{V}$, $I_{\text{REG}} = 3\text{mA}$, $C_{\text{REG}} = 0.47\mu\text{F}$, $V_{\text{REG}} = 1.8\text{V}$	1.70	1.8	1.85	V
		$V_{\text{DD}} \geq 3\text{V}$, $I_{\text{REG}} = 3\text{mA}$, $C_{\text{REG}} = 0.47\mu\text{F}$, $V_{\text{REG}} = 1.5\text{V}$	1.42	1.5	1.56	V
$I_{\text{REG_SC_Limit}}$	REG Output Short Circuit Current Limit	$\text{REG} = V_{\text{SS}}$, $C_{\text{REG}} = 0.47\mu\text{F}$	3.2		25	mA
$R_{\text{REG_PD}}$	REG pull-down resistor	Activated when REG is disabled	20	30	40	k Ω
Regulated Supply Undervoltage Self-disable						
V_{UVREG}	Undervoltage detection accuracy	Factory Configuration: 1.0V to 4.15V in 50mV steps, $T_A = 25^\circ\text{C}$	-50		50	mV
V_{UVHYS}	Undervoltage detection hysteresis		250	300	350	mV
t_{UVDELAY}	Undervoltage detection delay ⁽³⁾		5.2	6.5	7.8	s
V_{UVQUAL}	Cell voltage to qualify for UV detection		0.45	0.5	0.55	V

- (1) Specified by a combination of characterization and production test
- (2) Delay values specified when transitioning from NORMAL mode to OVERVOLTAGE mode. While device is in UNDERVOLTAGE mode, the delay can increase by a value between 0 and 1.2 seconds.
- (3) Specified by a combination of design and production test

6.6 Typical Characteristics

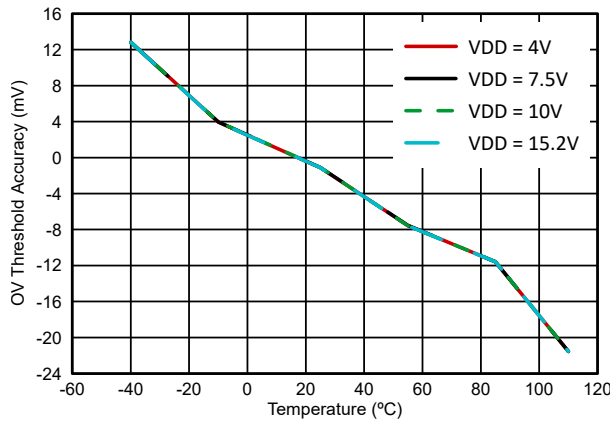


Figure 6-1. Overtolerance Threshold Accuracy vs. Temperature

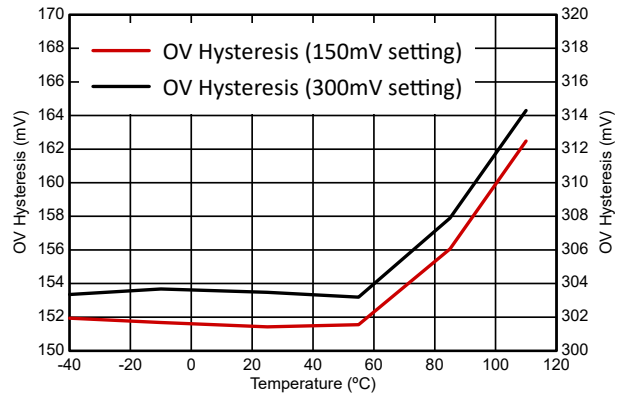


Figure 6-2. Overtolerance Hysteresis vs. Temperature

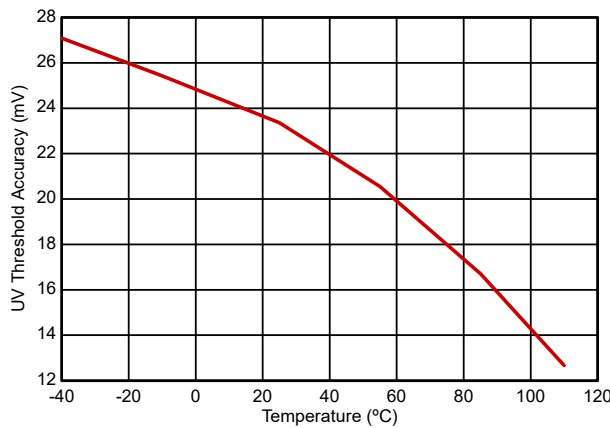


Figure 6-3. Undervoltage Threshold Accuracy vs. Temperature

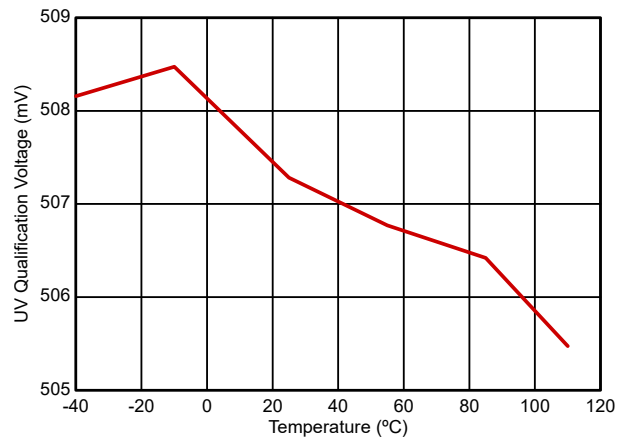


Figure 6-4. Undervoltage Qualification Voltage vs. Temperature

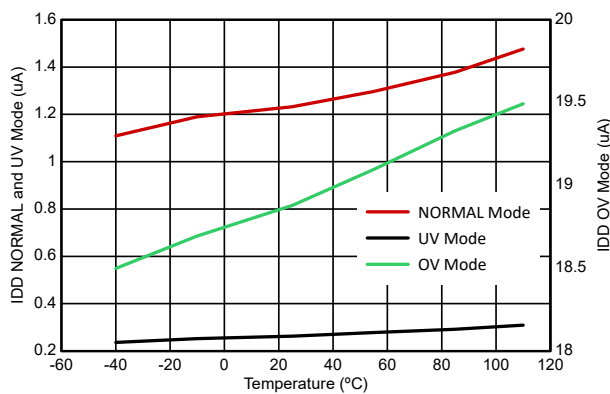


Figure 6-5. I_{DD} vs. Temperature

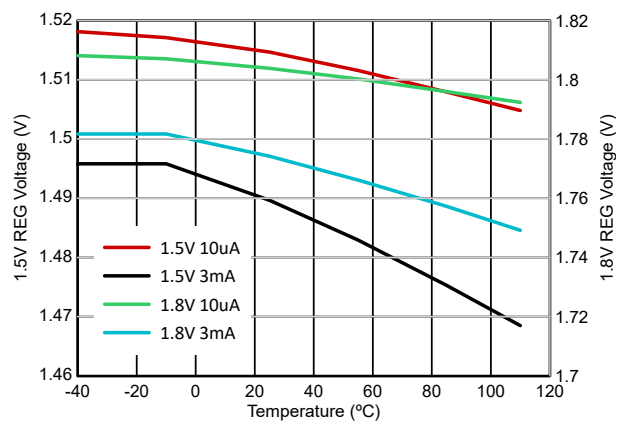
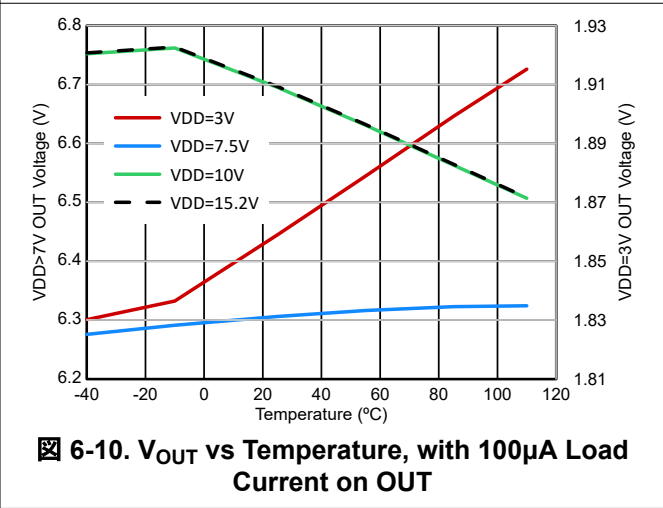
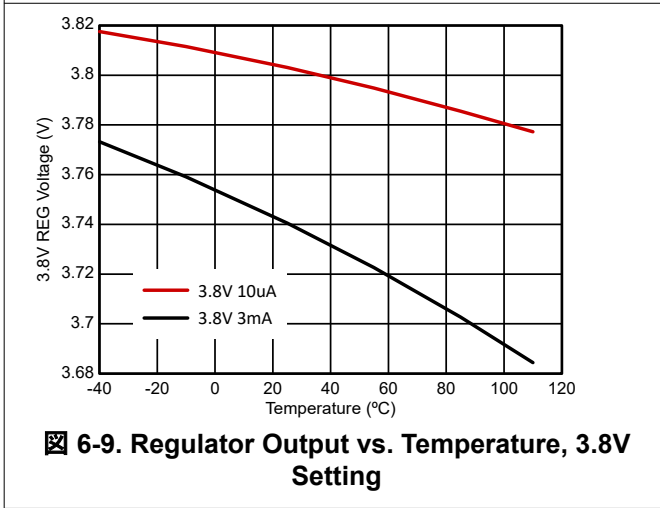
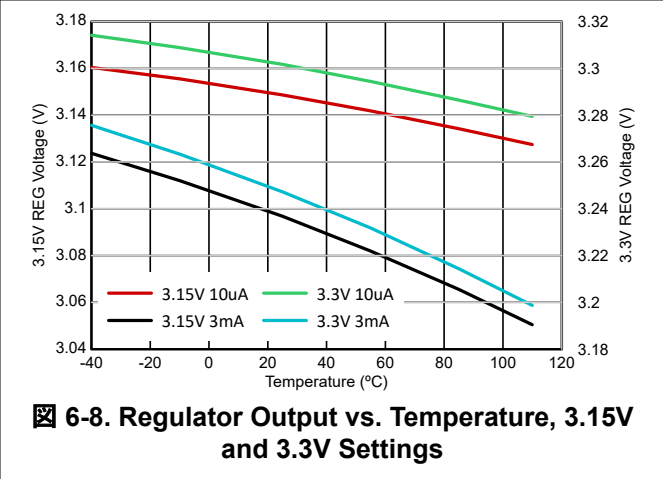
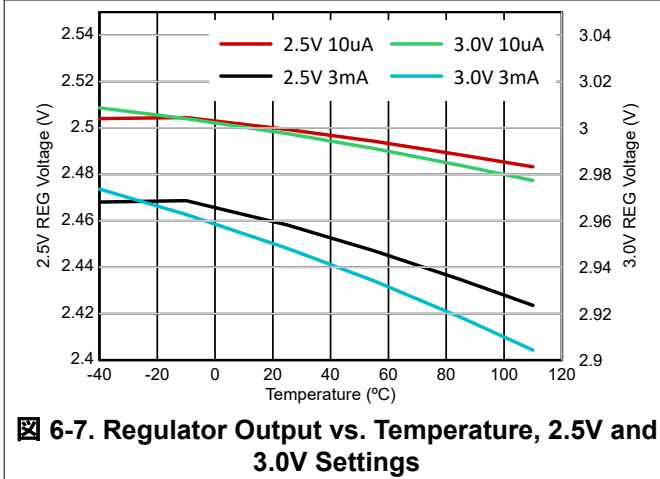


Figure 6-6. Regulator Output vs. Temperature, 1.5V and 1.8V Settings



7 Detailed Description

7.1 Overview

The BQ2969 family is a high-accuracy, low-power second-level overvoltage protector with a 3mA regulated output supply for Li-ion and LiFePO₄ (LFP) battery pack applications.

Each cell in a 2-series to 4-series cell stack is individually monitored for an overvoltage condition by comparing the actual cell voltage to an overvoltage threshold V_{OV} . The overvoltage threshold is preprogrammed at the factory with a range between 3.6V to 5.2V. The device initiates an internal fixed-delay timer when an overvoltage condition is detected on any cell. Upon expiration of the delay timer, the output pin is triggered into an active state to indicate that an overvoltage condition has occurred. The output pin can be configured to be active-high, open-drain active pulldown, or open-drain inactive pulldown. The device recovers from the overvoltage condition when all cell voltages are detected below the overvoltage threshold by a hysteresis level, which can be programmed to 150mV or 300mV. Alternatively, the output pin can be programmed to latch and not recover whenever it is activated.

The regulated output supply is programmable from 1.5V to 3.8V and delivers up to 3mA output current to drive always-on circuits, such as a real-time clock (RTC) oscillator. The BQ2969 family has a self-disable function to turn off the regulated output if any cell voltage falls below a programmable undervoltage threshold, thereby preventing drain on the battery. This undervoltage threshold can be programmed over a range from 1V to 4.15V.

The BQ2969 family provides extremely low power operation, drawing only 1.23 μ A during normal operation (excluding regulator load current), and dropping to 0.25 μ A when in an undervoltage condition. Even when in the

undervoltage state, the device still monitors cell voltages and can detect an overvoltage condition on any other cell (which can occur in an imbalanced pack) and assert the output pin.

表 7-1. Programmable Parameters

OVERVOLTAGE RANGE (V)	OVERVOLTAGE DELAY (s)	OVERVOLTAGE HYSTERESIS (mV)	UNDervOLTAGE RANGE (V)	OUT PIN MODE	LATCHED OUT	REGULATOR (V)
3.6 to 5.2 in 1mV steps	0.25, 0.5, 1, 2, 3, 4, 5.5, 6.5	150, 300	1.0 to 4.15 in 50mV steps	active high, open-drain active pull-down, open-drain inactive pull-down	yes, no	1.5, 1.8, 2.5, 3.0, 3.15, 3.3, 3.8

7.2 Functional Block Diagram

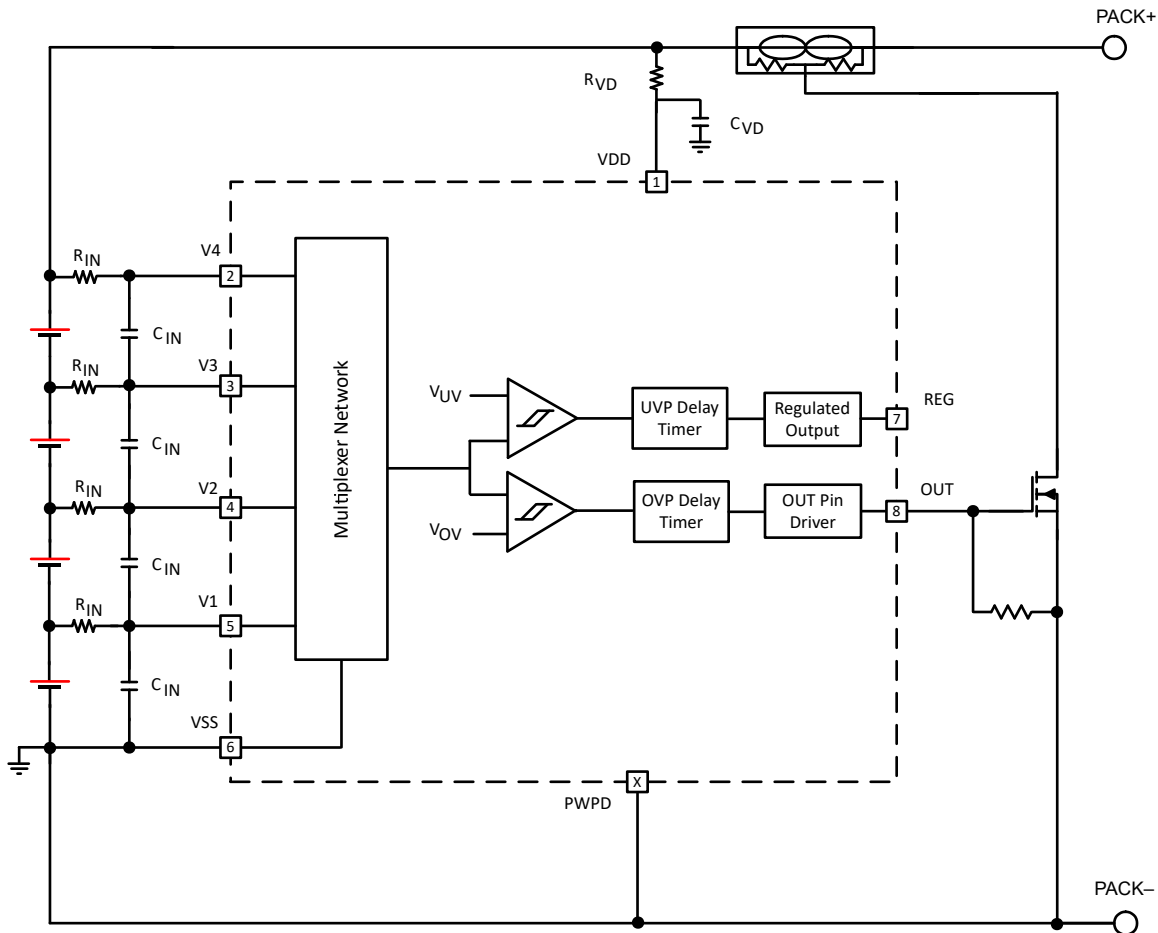


図 7-1. BQ2969 Block Diagram

7.3 Feature Description

7.3.1 Pin Details

7.3.1.1 Input Sense Voltage, Vx

These inputs sense each battery cell voltage. A series resistor and a capacitor across the cell for each input is required for noise filtering and stable voltage monitoring.

7.3.1.2 Output Drive, OUT

This terminal serves as the fault signal output whenever an overvoltage condition on any cell is detected. The pin can be configured as active high, open-drain active pulldown, or open-drain inactive pulldown. The pin can also be programmed to latch asserted when an overvoltage condition occurs, or to recover after the maximum cell voltage drops 150mV or 300mV below the overvoltage threshold.

7.3.1.3 Supply Input, VDD

This terminal is the unregulated input power source for the device. A series resistor is connected to limit the current, and a capacitor is connected to ground for noise filtering.

7.3.1.4 Regulated Supply Output, REG

The BQ2969 provides a regulated supply on the REG pin, which can be used to power external circuitry such as a real-time clock or other function. The REG output includes current limit protection circuit and also detects and protects for excessive power dissipation due to short circuit of the external load. This pin requires a ceramic 0.47µF capacitor connection to VSS for stability, noise immunity, and ESD performance of the supply output. This capacitor must be placed close to the REG and VSS pins for connection.

7.3.2 Overvoltage Sensing for OUT

Each cell in the BQ2969 device is monitored independently for an overvoltage condition. Overvoltage is detected by comparing the actual cell voltage to a protection voltage reference, V_{OV} . If any cell voltage exceeds the programmed V_{OV} value, an internal timer circuit is activated. After the timer completes a fixed, pre-programmed delay, the OUT pin transitions from an inactive state to the active state.

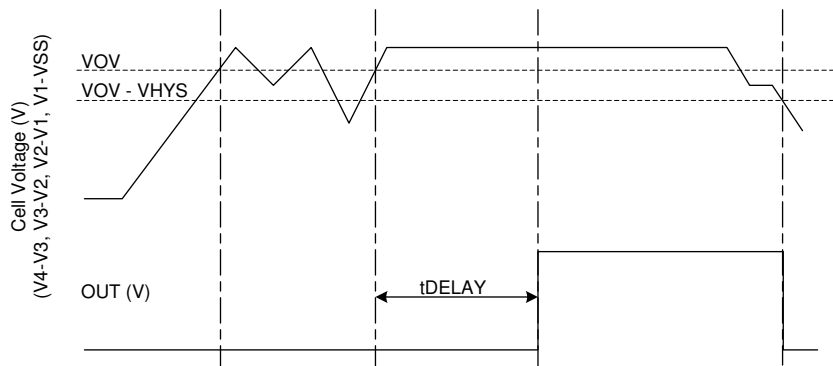


图 7-2. Timing for Overvoltage Sensing for OUT

7.3.3 Regulator Output Voltage

At power up, the regulator output in the BQ2969 is on by default. If any cell voltage is below V_{UVREG} at device power up, the regulator output remains on until the $t_{UVDELAY}$ time has passed, then the device disables the regulator output.

During discharge, if any cell voltage falls below the V_{UVREG} threshold for $t_{UVDELAY}$ time, the regulator output is self-disabled. The regulator output turns on again when all the cell voltages are above $V_{UVREG} + V_{UVHYS}$.

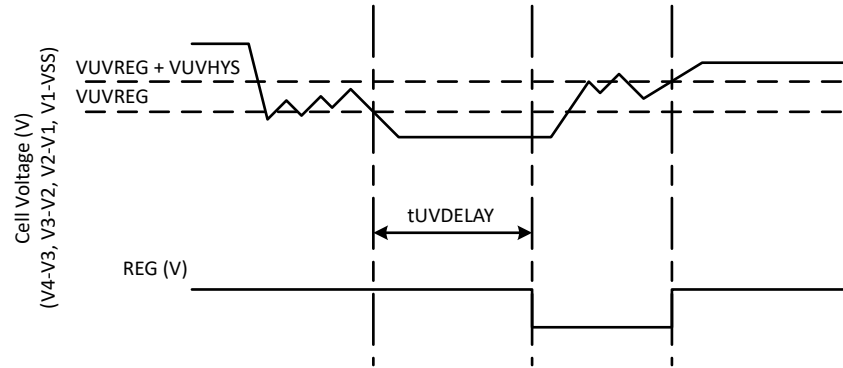


図 7-3. REG Output Timing

7.4 Device Functional Modes

7.4.1 NORMAL Mode

When all of the cell voltages are below the V_{OV} threshold AND above the V_{UVREG} threshold, the device operates in NORMAL mode. The device regularly monitors the differential cell voltages connected across (V1–VSS), (V2–V1), (V3–V2), and (V4–V3). The OUT pin is inactive in this mode, and the regulated output is enabled.

7.4.2 OVERVOLTAGE Mode

OVERVOLTAGE mode is detected if any of the cell voltages exceed the overvoltage threshold, V_{OV} , for a configured OV delay time. The OUT pin is activated after a delay time pre-programmed at the factory. This pin is typically used to then enable an external FET and blow a fuse to disable the pack. When all of the cell voltages fall below ($V_{OV} - V_{HYS}$) and remain above the V_{UVREG} threshold, the device returns to NORMAL mode if the output is not configured to latch when asserted. The regulated output remains enabled in this mode if all cell voltages are above V_{UVREG} .

7.4.3 UNDERVOLTAGE Mode

The UNDERVOLTAGE mode is detected if any of the cell voltage across (V1–VSS), (V2–V1), (V3–V2), or (V4–V3) is below the V_{UVREG} threshold for $t_{UVDELAY}$ time. In this mode, the regulated output is disabled. To return to NORMAL mode, all the cell voltages must be above ($V_{UVREG} + V_{UVHYS}$) and below V_{OV} .

If the device is used in a system with fewer than 4 cells, V_n pin can be shorted to the (V_{n-1}) pin. The device ignores any differential cell voltage below the V_{UVQUAL} threshold for undervoltage detection.

Even when in the UNDERVOLTAGE mode, the device continues to regularly monitor each cell voltage, checking if any cell voltage exceeds the V_{OV} threshold. If a condition occurs whereby a cell voltage is above V_{OV} and another cell voltage is below V_{UVREG} , such as can happen in a heavily imbalanced pack, then the OUT pin is activated and the regulator is disabled.

7.4.4 CUSTOMER TEST MODE

The Customer Test Mode (CTM) helps to reduce test time for checking the overvoltage delay-timer parameter once the circuit is implemented into the battery pack. To enter CTM, the VDD pin must be set at approximately 10V higher than V4 (see 図 7-4). In this mode, the overvoltage delay timer is reduced to approximately 20ms, considerably shorter than the timer delay in normal operation. To exit CTM, reduce the VDD voltage back to the voltage of V4, which causes the device to exit this mode.

注意

Avoid exceeding any Absolute Maximum Voltages on any pins when placing the device into CTM. Stressing the pins beyond the rated limits can cause permanent damage to the device.

図 7-4 shows the timing for the Customer Test Mode.

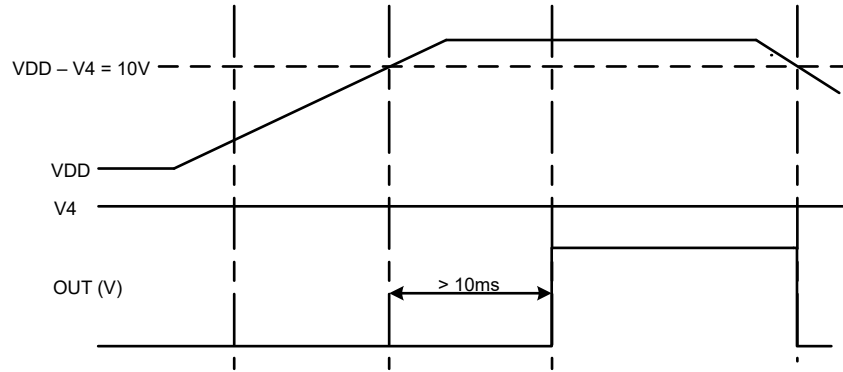


図 7-4. Timing for Customer Test Mode

図 7-5 shows the measurement for current consumption of the product for VDD and the cell input pins.

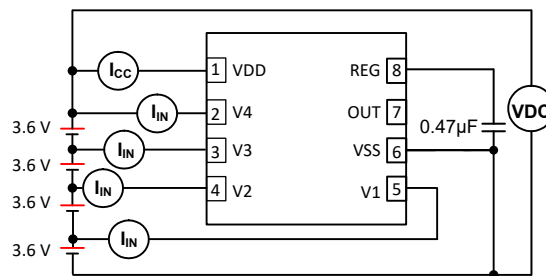


図 7-5. Configuration for Integrated Circuit Current Consumption Test

8 Application and Implementation

注

Information in the following applications sections is not part of the TI component specification, and TI does not warrant its accuracy or completeness. TI's customers are responsible for determining suitability of components for their purposes. Customers should validate and test their design implementation to confirm system functionality.

8.1 Application Information

The BQ2969 family of second-level protectors is used for overvoltage protection of the battery pack in the application. A regulated output is available to drive local external circuitry. The device OUT pin can be configured in one of 3 drive types and is asserted whenever the device enters the overvoltage mode. The pin is typically used to drive an NMOS FET that blows a fuse in the event of a fault condition, thereby disconnecting the pack power path.

8.2 Typical Application

Figure 8-1 shows a simplified application schematic using the BQ2969 together with the associated passive components and external NFET to flow a high-side fuse.

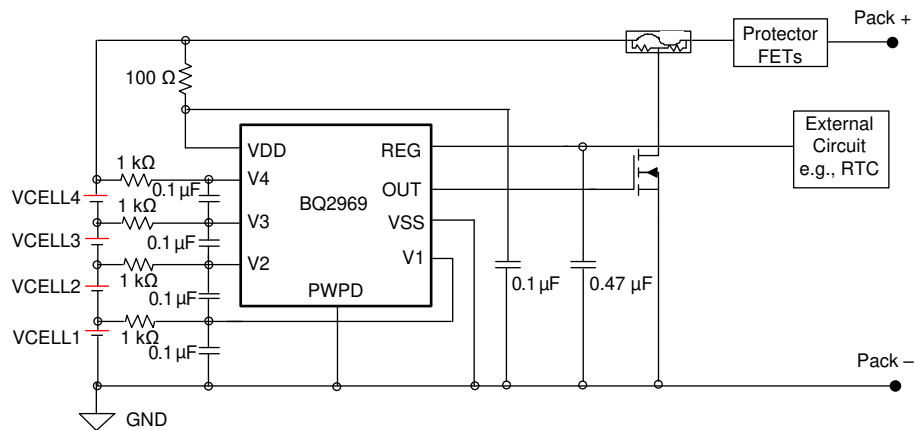


Figure 8-1. BQ2969 4-Series Cell Typical Implementation (Simplified Schematic)

A full schematic of a basic circuit based on the BQ2969 for a 4-series battery pack evaluation module is shown below. Figure 10-1 and Figure 10-2 show the board layout for this design.

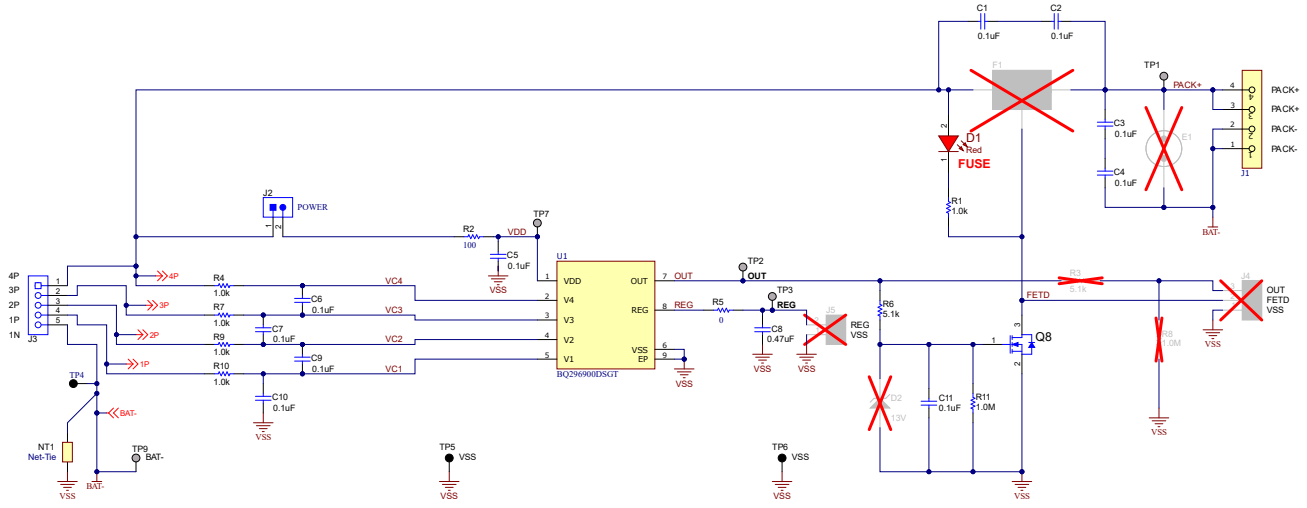


図 8-2. BQ2969 4-Series Cell Schematic Diagram - Protector and Fuse Blow Circuitry

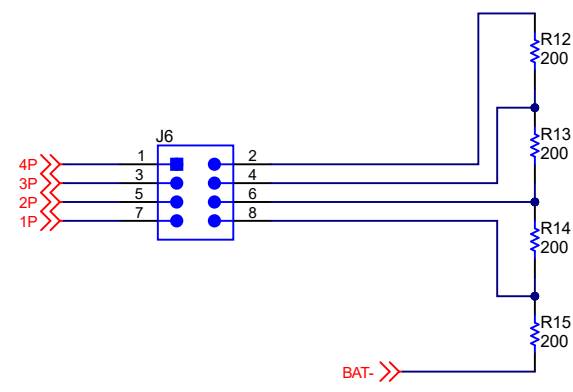


図 8-3. BQ2969 4-Series Cell Schematic Diagram - Cell Simulator Circuitry

8.2.1 Design Requirements

注

Changes to the ranges shown in 表 8-1 can impact the accuracy of the cell measurements.

表 8-1. Parameters

PARAMETER	EXTERNAL COMPONENT	MIN	NOM	MAX	UNIT
Voltage monitor filter resistance	R _{IN}	900	1000	4700	Ω
Voltage monitor filter capacitance	C _{IN}	0.01	0.1	1.0	μF
Supply voltage filter resistance	R _{VD}	100	—	1000	Ω
Supply voltage filter capacitance	C _{VD}	—	0.1	1.0	μF
REG output capacitance	C _{REG}	0.47	1	—	μF

注

The device is calibrated using an R_{IN} value = 1000Ω. Using a value other than the recommended value changes the accuracy of the cell voltage measurements and V_{OV} trigger level.

8.2.2 Detailed Design Procedure

1. The device allows a random cell connection to the VSS, V1, V2, V3, and V4 pins. The device does not require VSS to be connected first and does not require cells to be connected in a particular order.
2. If fewer than 4 cells are used, then an unused cell input pin V_n must be shorted to the next lower cell input pin (V_{n-1}).
3. The cell input capacitors, the supply pin capacitor, and the REG output capacitor are recommended to be placed close to the device, minimizing trace length on the PCB.

8.2.3 Application Curves

The scope plots below show the response of the device transitioning among the different states. [Figure 8-4](#) shows the device detecting an overvoltage event and asserting the OUT pin to blow an external fuse after the overvoltage delay period. [Figure 8-5](#) displays the device recovering from the overvoltage event when all cell voltages have fallen below the overvoltage threshold by the required hysteresis level, and the OUT pin deasserting. [Figure 8-6](#) shows the device detecting an undervoltage condition and disabling the REG LDO output after the undervoltage delay period. [Figure 8-7](#) then depicts the device recovering from the undervoltage condition and re-enabling the REG LDO when all cell voltages have risen above the undervoltage threshold by the required hysteresis level.

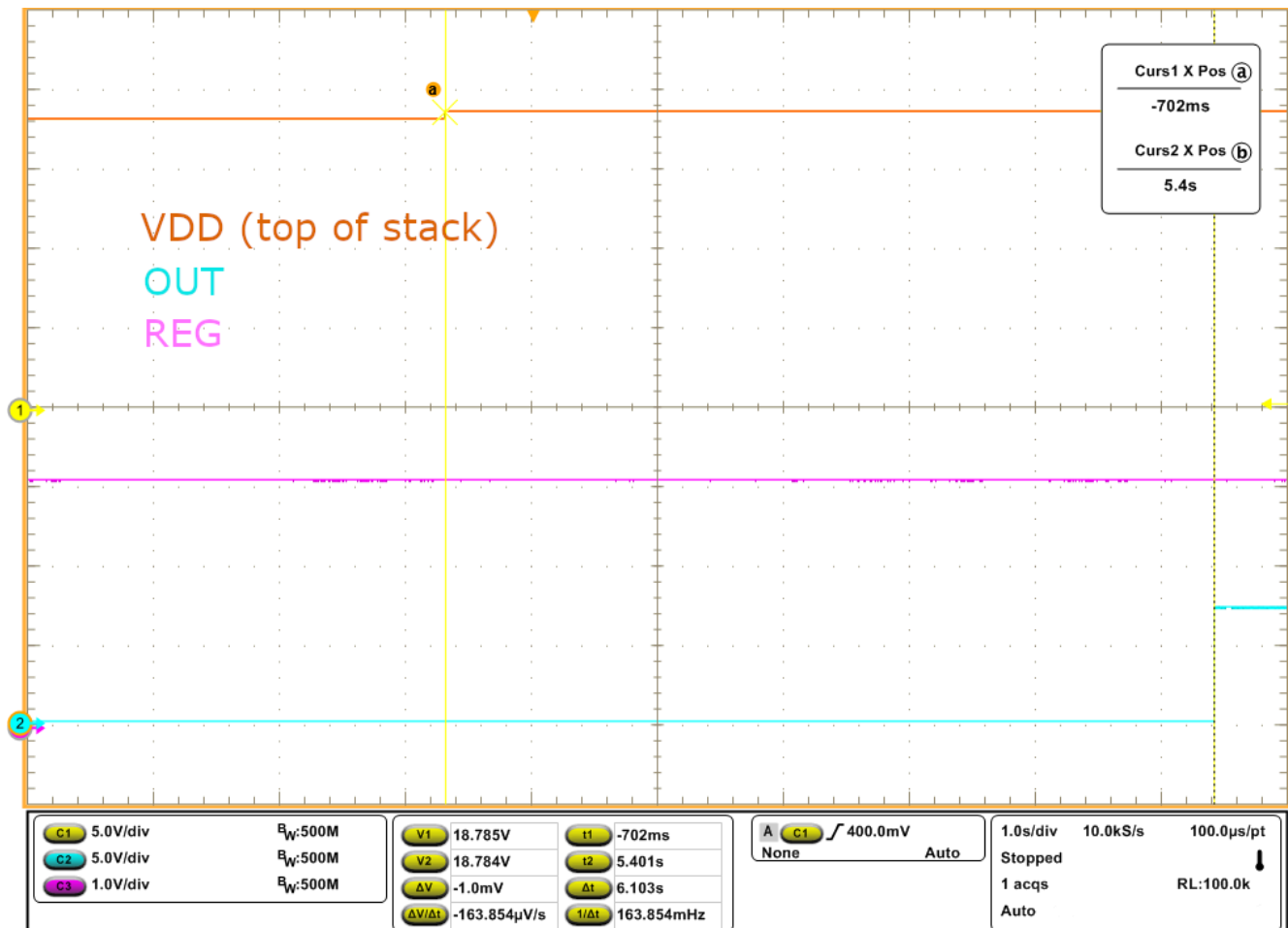


Figure 8-4. Overvoltage Protection Triggering

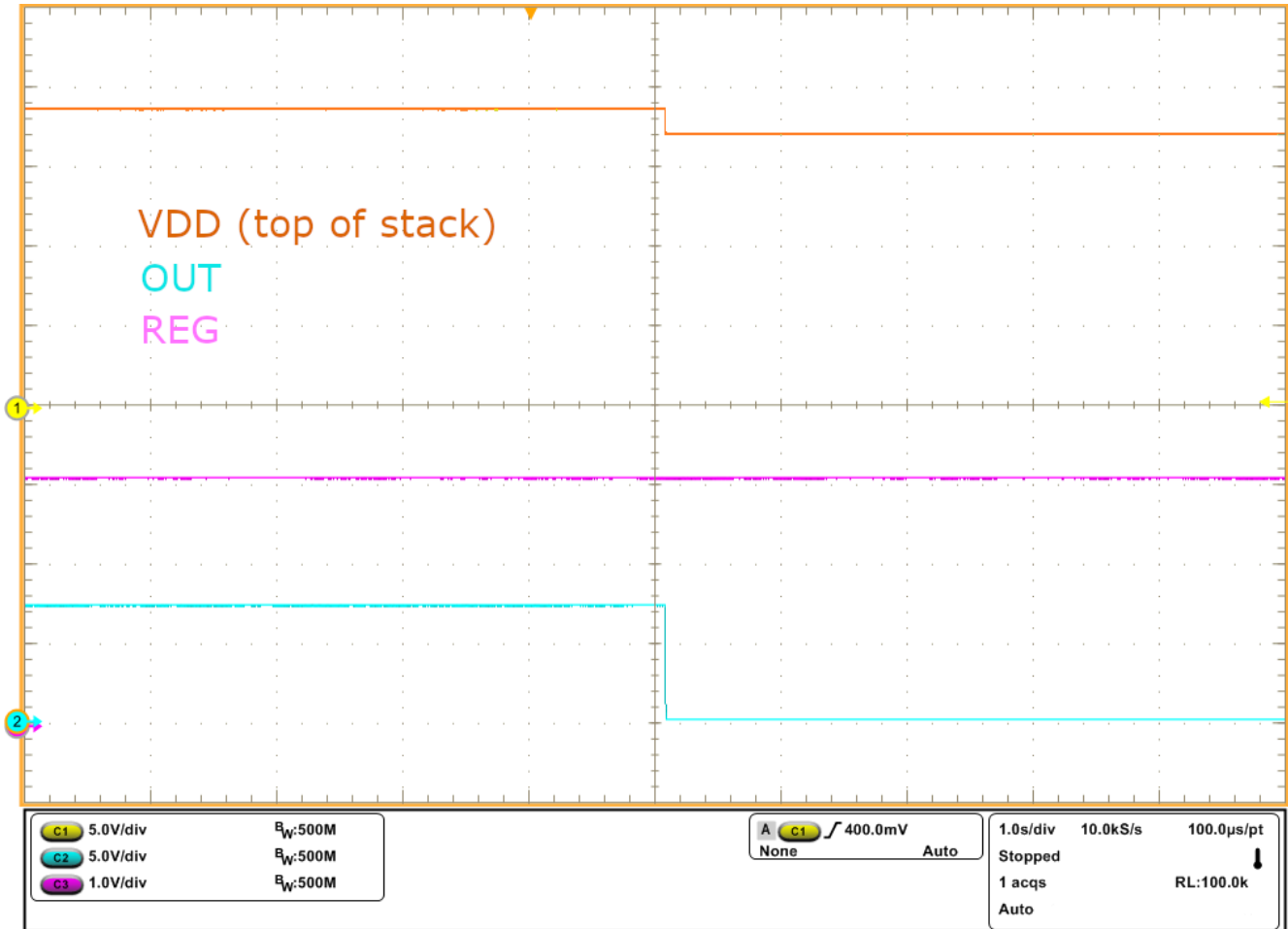


図 8-5. Overvoltage Protection Recovery

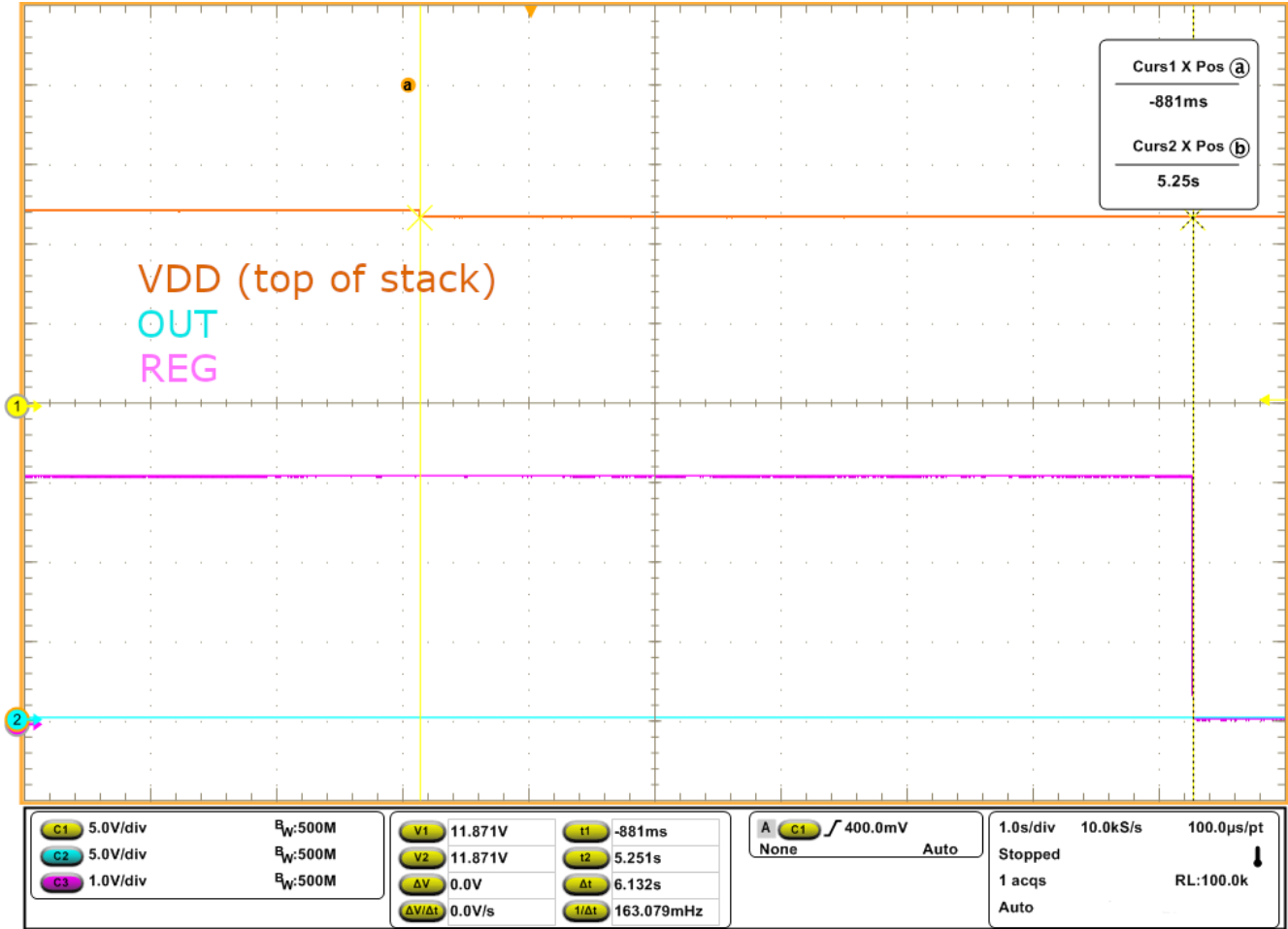


図 8-6. Undervoltage Detection to Disable the Regulator

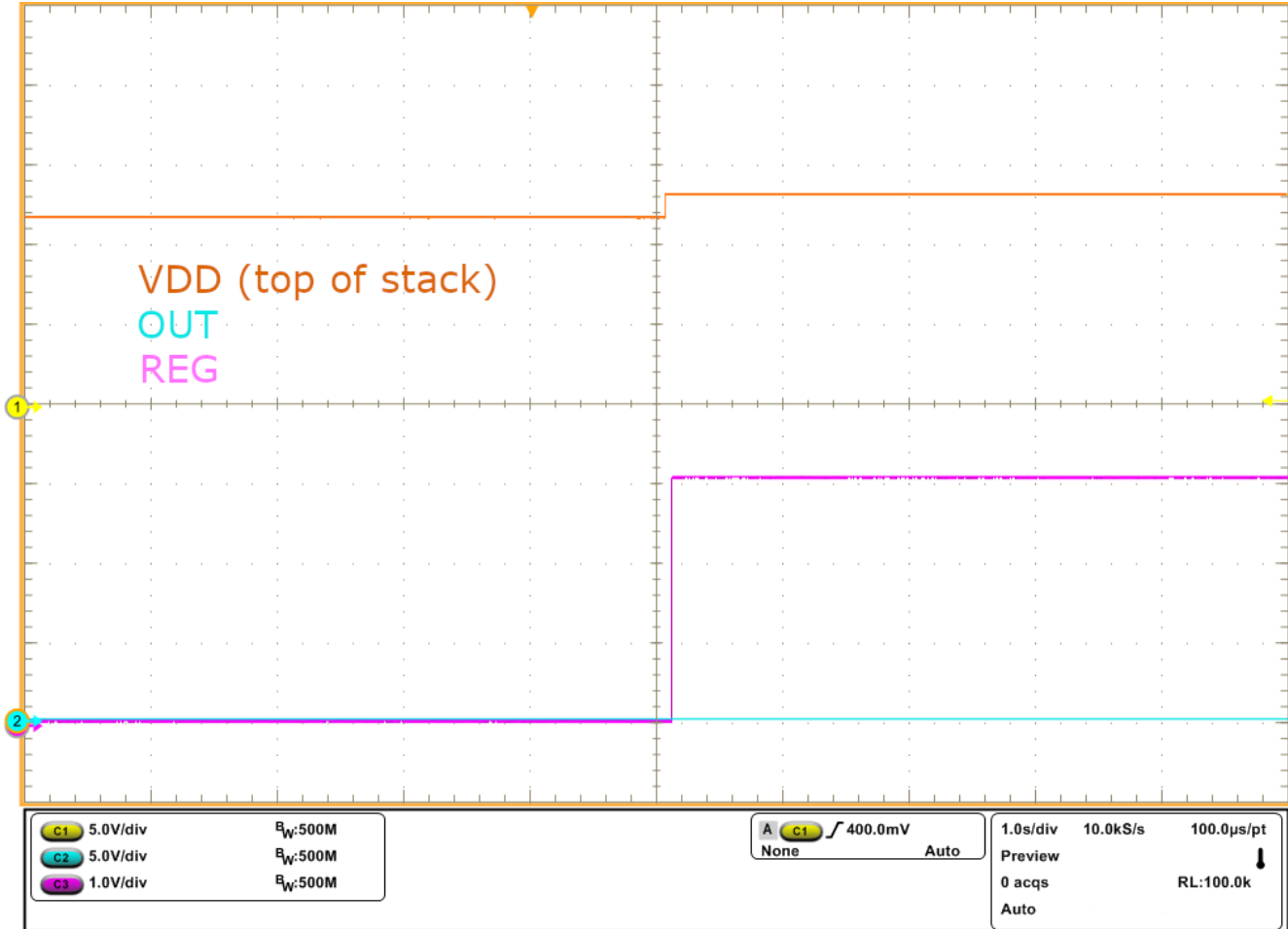


図 8-7. Undervoltage Recovery to Re-enable the Regulator

9 Power Supply Recommendations

Connect a series resistor between the top of the cell stack and the VDD pin on the BQ2969. Connect a capacitor between the VDD and VSS pins on the device, positioned close to the pins on the PCB. Connect the VSS pin to the bottom of the cell stack.

10 Layout

10.1 Layout Guidelines

Use the following layout guidelines:

1. Ensure the RC filters for the cell input pins (V4, V3, V2, V1, VSS) and VDD pin are placed as close as possible to the target pin, reducing the tracing loop area.
2. Place the regulator output capacitor between REG and VSS, keeping the capacitor close to the device pins.
3. Ensure the trace connecting the fuse through the NFET to the Pack– is sufficient to withstand the expected current during a fuse blow event.

10.2 Layout Example

An example circuit layout using the BQ2969 device in a 4-series cell design is described below in 図 10-1 and 図 10-2. The design implements the schematic shown in 図 8-2 and 図 8-3, and uses a 2-layer circuit card assembly with cell connections on the left edge and pack connections on the right edge of the board.

Care must be taken to place the RC filter components close to the VC pins of the device. Be sure to use a sufficiently wide trace for the NFET source and drain connections to support the maximum current that flows during a fuse blow event.

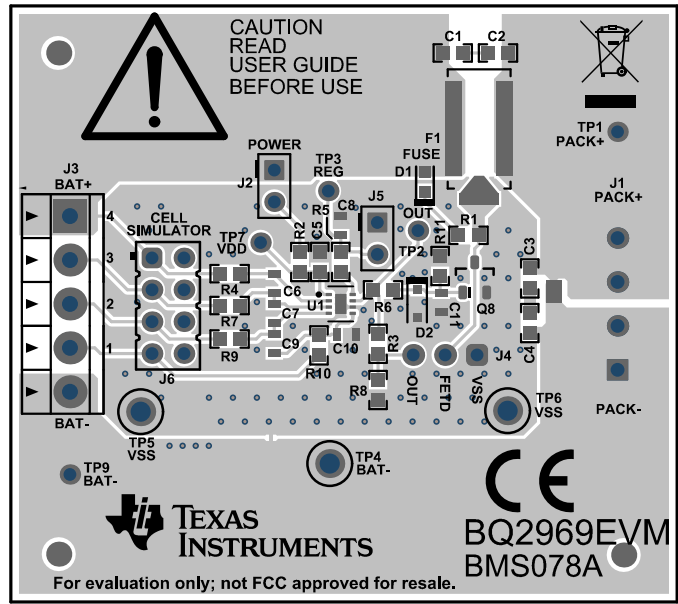


图 10-1. BQ2969 Two-Layer Board Layout - Top Layer

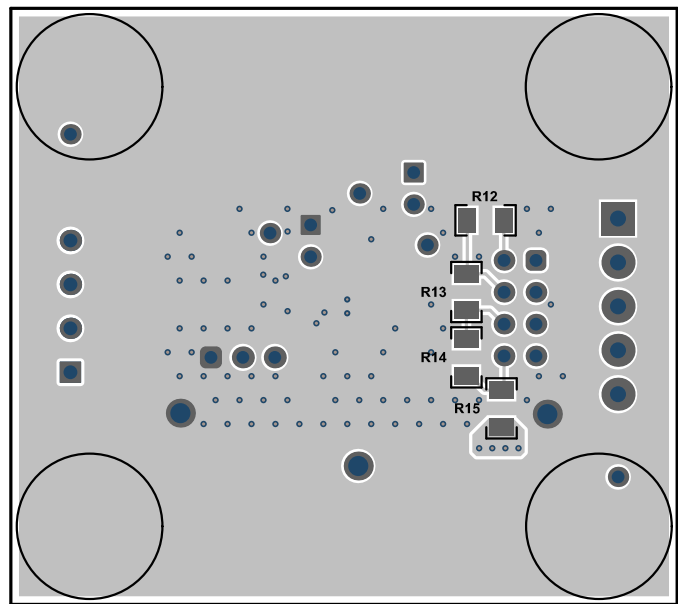


图 10-2. BQ2969 Two-Layer Board Layout - Bottom Layer

11 Device and Documentation Support

11.1 サード・パーティ製品に関する免責事項

サード・パーティ製品またはサービスに関するテキサス・インスツルメンツの出版物は、単独またはテキサス・インスツルメンツの製品、サービスと一緒に提供される場合に関係なく、サード・パーティ製品またはサービスの適合性に関する是認、サード・パーティ製品またはサービスの是認の表明を意味するものではありません。

11.2 Receiving Notification of Documentation Updates

To receive notification of documentation updates, navigate to the device product folder on ti.com. In the upper right corner, click on *Alert me* to register and receive a weekly digest of any product information that has changed. For change details, review the revision history included in any revised document.

11.3 サポート・リソース

テキサス・インスツルメンツ E2E™ サポート・フォーラムは、エンジニアが検証済みの回答と設計に関するヒントをエキスパートから迅速かつ直接得ることができる場所です。既存の回答を検索したり、独自の質問をしたりすることで、設計に必要な支援を迅速に得ることができます。

リンクされているコンテンツは、各寄稿者により「現状のまま」提供されるものです。これらはテキサス・インスツルメンツの仕様を構成するものではなく、必ずしもテキサス・インスツルメンツの見解を反映したものではありません。テキサス・インスツルメンツの [使用条件](#) を参照してください。

11.4 Trademarks

テキサス・インスツルメンツ E2E™ is a trademark of Texas Instruments.

すべての商標は、それぞれの所有者に帰属します。

11.5 静電気放電に関する注意事項



この IC は、ESD によって破損する可能性があります。テキサス・インスツルメンツは、IC を取り扱う際には常に適切な注意を払うことを推奨します。正しい取り扱いおよび設置手順に従わない場合、デバイスを破損するおそれがあります。

ESD による破損は、わずかな性能低下からデバイスの完全な故障まで多岐にわたります。精密な IC の場合、パラメータがわずかに変化するだけで公表されている仕様から外れる可能性があるため、破損が発生しやすくなっています。

11.6 用語集

[テキサス・インスツルメンツ用語集](#) この用語集には、用語や略語の一覧および定義が記載されています。

12 Revision History

資料番号末尾の英字は改訂を表しています。その改訂履歴は英語版に準じています。

DATE	REVISION	NOTES
August 2024	*	Initial Release

13 Mechanical, Packaging, and Orderable Information

The following pages include mechanical, packaging, and orderable information. This information is the most current data available for the designated devices. This data is subject to change without notice and revision of this document. For browser-based versions of this data sheet, refer to the left-hand navigation.

PACKAGING INFORMATION

Orderable Device	Status (1)	Package Type	Package Drawing	Pins	Package Qty	Eco Plan (2)	Lead finish/ Ball material (6)	MSL Peak Temp (3)	Op Temp (°C)	Device Marking (4/5)	Samples
BQ296900DSGR	ACTIVE	WSON	DSG	8	3000	RoHS & Green	NIPDAU	Level-1-260C-UNLIM	-40 to 105	6900	Samples
BQ296907DSGR	ACTIVE	WSON	DSG	8	3000	RoHS & Green	NIPDAU	Level-1-260C-UNLIM	-40 to 105	6907	Samples

(1) The marketing status values are defined as follows:

ACTIVE: Product device recommended for new designs.

LIFEBUY: TI has announced that the device will be discontinued, and a lifetime-buy period is in effect.

NRND: Not recommended for new designs. Device is in production to support existing customers, but TI does not recommend using this part in a new design.

PREVIEW: Device has been announced but is not in production. Samples may or may not be available.

OBSOLETE: TI has discontinued the production of the device.

(2) **RoHS:** TI defines "RoHS" to mean semiconductor products that are compliant with the current EU RoHS requirements for all 10 RoHS substances, including the requirement that RoHS substance do not exceed 0.1% by weight in homogeneous materials. Where designed to be soldered at high temperatures, "RoHS" products are suitable for use in specified lead-free processes. TI may reference these types of products as "Pb-Free".

RoHS Exempt: TI defines "RoHS Exempt" to mean products that contain lead but are compliant with EU RoHS pursuant to a specific EU RoHS exemption.

Green: TI defines "Green" to mean the content of Chlorine (Cl) and Bromine (Br) based flame retardants meet JS709B low halogen requirements of <=1000ppm threshold. Antimony trioxide based flame retardants must also meet the <=1000ppm threshold requirement.

(3) MSL, Peak Temp. - The Moisture Sensitivity Level rating according to the JEDEC industry standard classifications, and peak solder temperature.

(4) There may be additional marking, which relates to the logo, the lot trace code information, or the environmental category on the device.

(5) Multiple Device Markings will be inside parentheses. Only one Device Marking contained in parentheses and separated by a "~" will appear on a device. If a line is indented then it is a continuation of the previous line and the two combined represent the entire Device Marking for that device.

(6) Lead finish/Ball material - Orderable Devices may have multiple material finish options. Finish options are separated by a vertical ruled line. Lead finish/Ball material values may wrap to two lines if the finish value exceeds the maximum column width.

Important Information and Disclaimer:The information provided on this page represents TI's knowledge and belief as of the date that it is provided. TI bases its knowledge and belief on information provided by third parties, and makes no representation or warranty as to the accuracy of such information. Efforts are underway to better integrate information from third parties. TI has taken and continues to take reasonable steps to provide representative and accurate information but may not have conducted destructive testing or chemical analysis on incoming materials and chemicals. TI and TI suppliers consider certain information to be proprietary, and thus CAS numbers and other limited information may not be available for release.

In no event shall TI's liability arising out of such information exceed the total purchase price of the TI part(s) at issue in this document sold by TI to Customer on an annual basis.

TAPE AND REEL INFORMATION



QUADRANT ASSIGNMENTS FOR PIN 1 ORIENTATION IN TAPE



*All dimensions are nominal

Device	Package Type	Package Drawing	Pins	SPQ	Reel Diameter (mm)	Reel Width W1 (mm)	A0 (mm)	B0 (mm)	K0 (mm)	P1 (mm)	W (mm)	Pin1 Quadrant
BQ296900DSGR	WSON	DSG	8	3000	180.0	8.4	2.3	2.3	1.15	4.0	8.0	Q2
BQ296907DSGR	WSON	DSG	8	3000	180.0	8.4	2.3	2.3	1.15	4.0	8.0	Q2

TAPE AND REEL BOX DIMENSIONS


*All dimensions are nominal

Device	Package Type	Package Drawing	Pins	SPQ	Length (mm)	Width (mm)	Height (mm)
BQ296900DSGR	WSON	DSG	8	3000	210.0	185.0	35.0
BQ296907DSGR	WSON	DSG	8	3000	210.0	185.0	35.0

GENERIC PACKAGE VIEW

DSG 8

WSON - 0.8 mm max height

2 x 2, 0.5 mm pitch

PLASTIC SMALL OUTLINE - NO LEAD

This image is a representation of the package family, actual package may vary.
Refer to the product data sheet for package details.



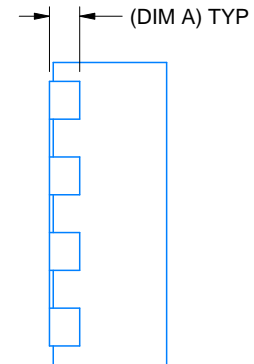
4224783/A



ALTERNATIVE TERMINAL SHAPE TYPICAL



SIDE WALL METAL THICKNESS DIM A	
OPTION 1	OPTION 2
0.1	0.2



4218900/E 08/2022

NOTES:

1. All linear dimensions are in millimeters. Any dimensions in parenthesis are for reference only. Dimensioning and tolerancing per ASME Y14.5M.
2. This drawing is subject to change without notice.
3. The package thermal pad must be soldered to the printed circuit board for thermal and mechanical performance.

EXAMPLE BOARD LAYOUT

DSG0008A

WSON - 0.8 mm max height

PLASTIC SMALL OUTLINE - NO LEAD



LAND PATTERN EXAMPLE
SCALE:20X



SOLDER MASK DETAILS

4218900/E 08/2022

NOTES: (continued)

4. This package is designed to be soldered to a thermal pad on the board. For more information, see Texas Instruments literature number SLUA271 (www.ti.com/lit/slua271).
5. Vias are optional depending on application, refer to device data sheet. If any vias are implemented, refer to their locations shown on this view. It is recommended that vias under paste be filled, plugged or tented.

重要なお知らせと免責事項

テキサス・インスツルメンツは、技術データと信頼性データ(データシートを含みます)、設計リソース(リファレンス デザインを含みます)、アプリケーションや設計に関する各種アドバイス、Web ツール、安全性情報、その他のリソースを、欠陥が存在する可能性のある「現状のまま」提供しており、商品性および特定目的に対する適合性の黙示保証、第三者の知的財産権の非侵害保証を含むいかなる保証も、明示的または黙示的にかかわらず拒否します。

これらのリソースは、テキサス・インスツルメンツ製品を使用する設計の経験を積んだ開発者への提供を意図したものです。(1) お客様のアプリケーションに適したテキサス・インスツルメンツ製品の選定、(2) お客様のアプリケーションの設計、検証、試験、(3) お客様のアプリケーションに該当する各種規格や、その他のあらゆる安全性、セキュリティ、規制、または他の要件への確実な適合に関する責任を、お客様のみが単独で負うものとし、ます。

上記の各種リソースは、予告なく変更される可能性があります。これらのリソースは、リソースで説明されているテキサス・インスツルメンツ製品を使用するアプリケーションの開発の目的でのみ、テキサス・インスツルメンツはその使用をお客様に許諾します。これらのリソースに関して、他の目的で複製することや掲載することは禁止されています。テキサス・インスツルメンツや第三者の知的財産権のライセンスが付与されている訳ではありません。お客様は、これらのリソースを自身で使用した結果発生するあらゆる申し立て、損害、費用、損失、責任について、テキサス・インスツルメンツおよびその代理人を完全に補償するものとし、テキサス・インスツルメンツは一切の責任を拒否します。

テキサス・インスツルメンツの製品は、[テキサス・インスツルメンツの販売条件](#)、または [ti.com](https://www.ti.com) やかかるテキサス・インスツルメンツ製品の関連資料などのいずれかを通じて提供する適用可能な条項の下で提供されています。テキサス・インスツルメンツがこれらのリソースを提供することは、適用されるテキサス・インスツルメンツの保証または他の保証の放棄の拡大や変更を意味するものではありません。

お客様がいかなる追加条項または代替条項を提案した場合でも、テキサス・インスツルメンツはそれらに異議を唱え、拒否します。

郵送先住所：Texas Instruments, Post Office Box 655303, Dallas, Texas 75265
Copyright © 2025, Texas Instruments Incorporated