

CC330x SimpleLink™ Wi-Fi 6 と Bluetooth® Low Energy のコンパニオン IC

1 特長

主な特長

- Wi-Fi 6 (802.11ax)
- CC33x1 デバイスで Bluetooth® Low Energy 5.4 を使用
- TCP/IP スタックを実行できる任意のプロセッサまたはマイコン ホストへのコンパニオン IC
- 内蔵 2.4GHz PA により、最大 +20.5dBm の出力電力で完全なワイヤレス ソリューションを実現。
- 動作温度: -40°C ~ +105°C
- 最大 50Mbps のアプリケーション スループット

拡張機能

- Wi-Fi 6
 - 2.4GHz、20MHz、単一の空間ストリーム
 - IEEE 802.11b/g/n/ax をサポートする MAC、ベースバンドおよび RF トランシーバ
 - ターゲット ウェイク時間 (TWT)、OFDMA、MU-MIMO (ダウンリンク)、基本サービス セット カラーリング、トリガ フレームにより効率を向上
 - WPA2 と WPA3 をサポートする、ハードウェア ベースの暗号化と復号化
 - 非常に優れた相互運用性
 - 4 ビット SDIO または SPI ホスト インターフェイスのサポート
- Bluetooth Low Energy 5.4
 - LE Coded PHY (長距離)、LE 2M PHY (高速)、アドバタイズ拡張機能
 - UART または共有 SDIO 用のオプション搭載ホスト コントローラ インターフェイス (HCI) トランスポート
- 強化されたセキュリティ
 - セキュアなホスト インターフェイス
 - ファームウェア認証
 - アンチ ロールバック保護
- マルチロール サポート (同時 STA と AP など) により、異なる RF チャネル (Wi-Fi ネットワーク) 上の Wi-Fi デバイスに接続
- オプションでアンテナのダイバーシティまたは選択も可能
- 追加の 2.4GHz 無線 (Thread や Zigbee など) との外部共存のための 3 線式または 1 線式 PTA
- パワー マネージメント
 - V_{MAIN} 、 V_{IO} 、 V_{pp} : 1.8V
 - V_{PA} : 3.3V
- クロック ソース

- 40MHz の XTAL 高速クロック
- 内部低速クロックまたは外部 32.768kHz 低速クロック
- 小型パッケージ サイズ
 - 40 ピン、5mm x 5mm のクワッド フラット ノーリード (QFN) パッケージ、0.4mm ピッチで、設計が容易

2 アプリケーション

- **グリッド インフラ**
 - 電気メーター
 - スtring インバータ
 - マイクロ インバータ
 - エネルギー ストレージ電力変換システム (PCS)
 - EV 充電インフラ
- **ビル / ホーム オートメーション**
 - HVAC コントローラ
 - HVAC ゲートウェイ
 - サーモスタット
 - ビルのセキュリティ ゲートウェイ
 - ガレージのドア システム
 - IP ネットワーク カメラ / ビデオドアベル
 - ワイヤレス セキュリティ カメラ
- **家電製品**
 - 冷蔵庫 / 冷凍庫
 - オープン
 - 洗濯機 / 乾燥機
 - 住宅用給湯 / 暖房システム
 - 空気清浄機と加湿器
 - コーヒー メーカー
 - エアコン室内機
 - ロボット掃除機
 - ロボット芝刈り機
- **医療用**
 - 点滴用ポンプ
 - 電子式病院用ベッド / ベッド制御
 - マルチパラメータ メディカル モニタ
 - 血圧計
 - CPAP 機器
 - 遠隔医療システム
 - 超音波スキャナ
 - 超音波スマートプローブ
 - 電動歯ブラシ
- **リテール オートメーションおよびペイメント**
- **プリンタ**



3 概要

SimpleLink™ Wi-Fi CC33xx デバイス ファミリーは、手頃な価格と信頼性を両立しており、エンジニアはより多くのアプリケーションを自信を持って接続できます。CC33xx は、シングルチップの Wi-Fi 6 および Bluetooth Low Energy 5.4 デバイスです。CC3300 および CC3301 は、このピン互換ファミリーの初のデバイスです。

- **CC3300**: 2.4GHz Wi-Fi 6 コンパニオン IC。
- **CC3301**: 2.4GHz Wi-Fi 6 および Bluetooth Low Energy 5.4 コンパニオン IC。

CC330x は、Wi-Fi 6 および BLE を提供すると同時に、Wi-Fi 4 (802.11 b/g/n) および Wi-Fi 5 (802.11ac) との互換性を維持します。これらの CC330x は、テキサス・インスツルメンツの第 10 世代コネクティビティコンボ チップです。そのため、CC330x は実績のあるテクノロジーをベースにしています。これらのデバイスは、TCP/IP を実行する Linux または RTOS ホストを使用する、コスト重視の組み込みアプリケーションでの使用に最適です。CC330x は、IoT (モノのインターネット) 向け組み込みデバイス アプリケーションで Wi-Fi 6 の効率性を実現し、PCB のフットプリントが小さく、部品表も極めて最適化されています。

製品情報

部品番号	Wi-Fi 2.4-GHz SISO	Bluetooth Low Energy
CC3300ENJARSBR	✓	
CC3301ENJARSBR	✓	✓

4 システム図

図 4-1 に、CC3301 の基本的なシステム図を示します。

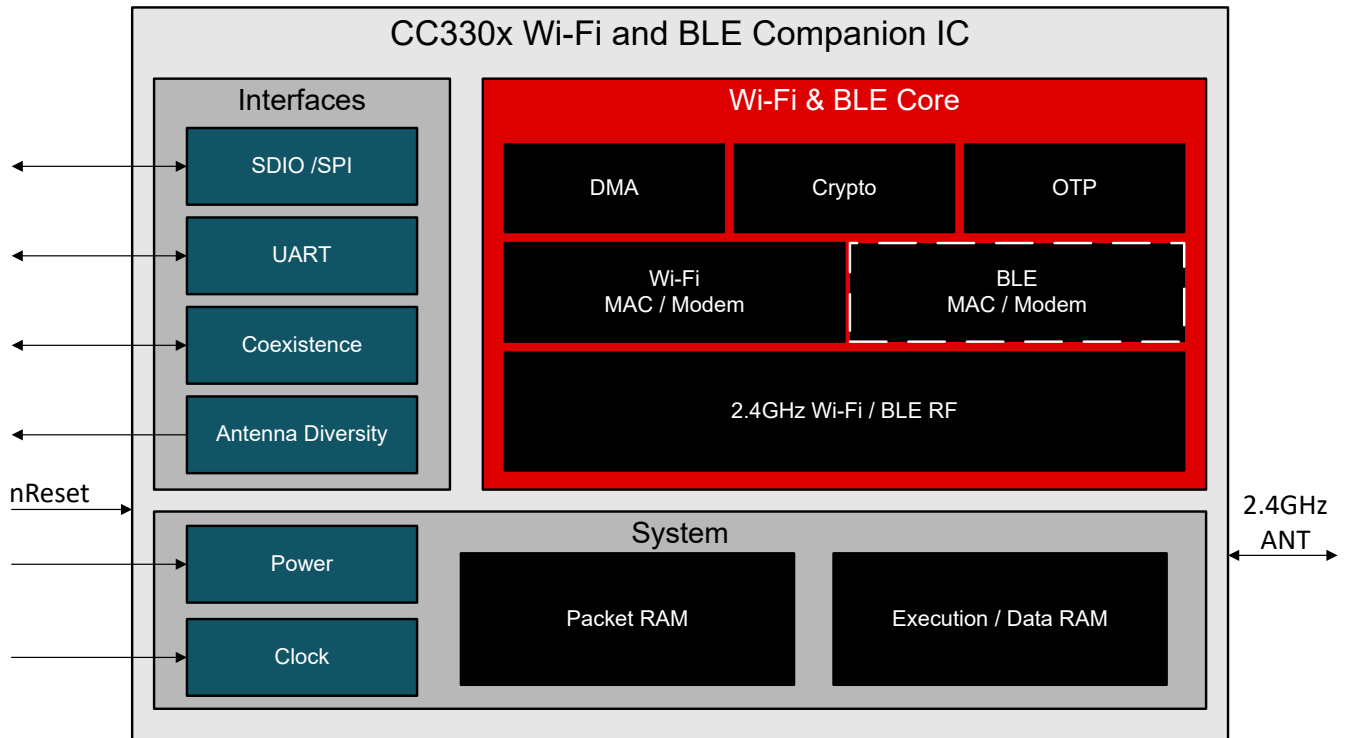



図 4-1. CC3301 のハイレベルなシステム図

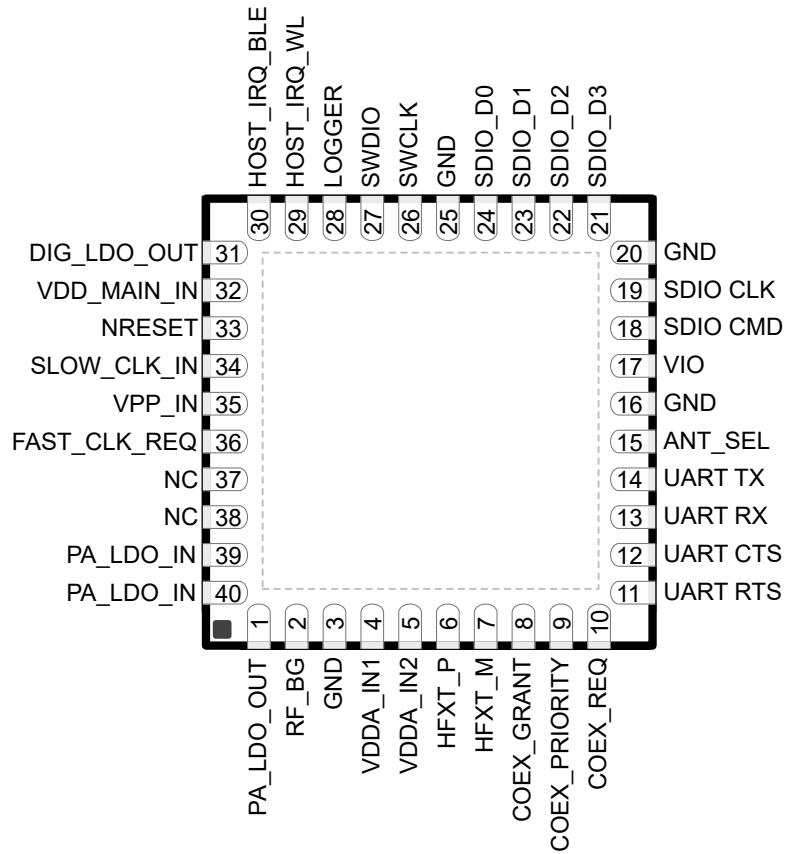
Table of Contents

1 特長	1	6.11 Current Consumption - WLAN Use Cases.....	12
2 アプリケーション	1	6.12 Current Consumption - BLE Static Modes.....	13
3 概要	2	6.13 Current Consumption - Device States.....	13
4 システム図	3	6.14 Timing and Switching Characteristics.....	13
5 Terminal Configuration and Functions	5	6.15 Interface Timing Characteristics.....	15
5.1 Pin Diagram.....	5	7 Applications, Implementation, and Layout	18
5.2 Pin Attributes.....	6	8 Device and Documentation Support	19
6 Specifications	8	8.1 サード・パーティ製品に関する免責事項.....	19
6.1 Absolute Maximum Ratings.....	8	8.2 製品の命名規則.....	19
6.2 ESD Ratings.....	8	8.3 Tools and Software.....	19
6.3 Recommended Operating Conditions.....	8	8.4 Documentation Support.....	20
6.4 Electrical Characteristics.....	9	8.5 サポート・リソース.....	20
6.5 Thermal Resistance Characteristics.....	9	8.6 Trademarks.....	21
6.6 WLAN Performance: 2.4-GHz Receiver Characteristics.....	9	8.7 静電気放電に関する注意事項.....	21
6.7 WLAN Performance: 2.4-GHz Transmitter Power....	10	8.8 用語集.....	21
6.8 BLE Performance: Receiver Characteristics.....	10	9 Revision History	21
6.9 BLE Performance - Transmitter Characteristics.....	11	10 Mechanical, Packaging, and Orderable Information	22
6.10 Current Consumption - WLAN Static Modes.....	12		

5 Terminal Configuration and Functions

5.1 Pin Diagram

 5-1 shows pin assignments for the 40-pin **WQFN package**.



 5-1. CC3301 Pin Diagram

5.2 Pin Attributes

表 5-1. Pin Attributes

PIN	SIGNAL NAME	TYPE	DIR (I/O)	VOLTAGE LEVEL	SHUTDOWN STATE	STATE AFTER POWER-UP	DESCRIPTION
1	PA_LDO_OUT	Analog					RF power amplifier LDO output
2	RF_BG	RF	I/O				Bluetooth Low Energy and WLAN 2.4-GHz RF port
3	GND	GND					GND
4	VDDA_IN1	POW					1.8 V supply for analog domain
5	VDDA_IN2	POW					1.8 V supply for analog domain
6	HFXT_P	Analog		Sine			XTAL_P
7	HFXT_M	Analog					XTAL_N
8	COEX_GRANT ²	Digital	O	V _{IO}	PD	PD	External coexistence interface - grant
9	COEX_PRIORITY ²	Digital	I	V _{IO}	PU	PU	External coexistence interface - priority
10	COEX_REQ ²	Digital	I	V _{IO}	PU	PU	External coexistence interface - request
11	UART RTS	Digital	O	V _{IO}	PU	PU	Device RTS signal - flow control for BLE HCI
12	UART CTS	Digital	I	V _{IO}	PU	PU	Device CTS signal - flow control for BLE HCI
13	UART RX	Digital	I	V _{IO}	PU	PU	UART RX for BLE HCI
14	UART TX	Digital	O	V _{IO}	PU	PU	UART TX for BLE HCI
15	ANT_SEL ²	Digital	O	V _{IO}	PD	PD	Antenna select control line
16	GND	GND					GND
17	VIO	POW					1.8 V IO supply
18	SDIO CMD	Digital	I/O	V _{IO}	HiZ	HiZ	SDIO command or SPI PICO
19	SDIO CLK	Digital	I	V _{IO}	HiZ	HiZ	SDIO clock or SPI clock
20	GND	GND					GND
21	SDIO D3	Digital	I/O	V _{IO}	HiZ	PU	SDIO data D3 or SPI CS
22	SDIO D2	Digital	I/O	V _{IO}	HiZ	HiZ	SDIO data D2
23	SDIO D1	Digital	I/O	V _{IO}	HiZ	HiZ	SDIO data D1
24	SDIO D0	Digital	I/O	V _{IO}	HiZ	HiZ	SDIO data D0 or SPI POCI
25	GND	GND					GND
26	SWCLK	Digital	I	V _{IO}	PD	PD	Serial wire debug clock
27	SWDIO	Digital	I/O	V _{IO}	PU	PU	Serial wire debug I/O
28	LOGGER ³	Digital	O	V _{IO}	PU	PU	Tracer (UART TX debug logger)
29	HOST_IRQ_WL ³	Digital	O	V _{IO}	PD	0	Interrupt request to host for WLAN

表 5-1. Pin Attributes (続き)

PIN	SIGNAL NAME	TYPE	DIR (I/O)	VOLTAGE LEVEL	SHUTDOWN STATE	STATE AFTER POWER-UP	DESCRIPTION
30	HOST_IRQ_BLE ³	Digital	O	V _{IO}	PD	PD	Interrupt request to host for BLE (in shared SDIO mode)
31	DIG_LDO_OUT	Analog	O				Digital LDO output to decoupling capacitor
32	VDD_MAIN_IN	POW					1.8 V supply input for SRAM and digital
33	nRESET	Digital	I	V _{IO}	PD	PD	Reset line for enabling or disabling device (active low)
34	SLOW_CLK_IN	Digital	I	V _{IO}	PD	PD	32.768-kHz RTC clock input
35	VPP_IN	POW					1.8 V OTP programming input supply
36	FAST_CLK_REQ	Digital	O	V _{IO}	PD	PD	Fast clock request from the device
37	NC	NC					Connect to GND
38	NC	NC					Connect to GND
39	PA_LDO_IN	POW					3.3 V supply for PA
40	PA_LDO_IN	POW					3.3 V supply for PA

1. All digital I/O's (with the exception of SDIO signals) are Hi-Z when the device is in shutdown mode with internal PU/PD according to the "shutdown state" column.
2. See software release notes for support level.
3. LOGGER and HOST_IRQ_WL pins are sensed by the device during boot, see [CC33xx Hardware Integration](#).

6 Specifications

All specifications are given at the CC3301 pins. Typical values are measured with nominal device at 25°C.

6.1 Absolute Maximum Ratings

Over operating free-air temperature range (unless otherwise noted)⁽¹⁾

PARAMETER		PINS	MIN	MAX	UNIT
V _{PA}	V _{DD} PA Voltage	39,40	-0.5	4.2	V
V _{MAIN}	Main supply voltage for analog and digital - VDD_MAIN_IN, VDDA_IN1, VDDA_IN2	32, 4, 5	-0.5	2.1	V
V _{IO}	VDD IO Voltage	17	-0.5	2.1	V
	Input Voltage to all digital pins		-0.5	V _{IO} + 0.5	V
	HFXT_P Input Voltage	6	-0.5	2.1	V
V _{PP}	VPP OTP Voltage	35	-0.5	2.1	V
T _A	Operating Ambient Temperature		-40	105	°C
T _{stg}	Storage temperature		-55	155	°C

- (1) Stresses beyond those listed under *Absolute Maximum Rating* may cause permanent damage to the device. These are stress ratings only, which do not imply functional operation of the device at these or any other conditions beyond those indicated under *Recommended Operating Condition*. Exposure to absolute-maximum-rated conditions for extended periods may affect device reliability.

6.2 ESD Ratings

				VALUE	UNIT
V _(ESD)	Electrostatic discharge	Human body model (HBM), per AEC Q100-002 ⁽¹⁾	RF pins	±1000	V
			Other pins	±2000	
		Charged device model (CDM), per AEC Q100-011	RF pins	±250	
			Other pins	±500	

- (1) AEC Q100-002 indicates that HBM stressing shall be in accordance with the ANSI/ESDA/JEDEC JS-001 specification.

6.3 Recommended Operating Conditions

Over operating free-air temperature range (unless otherwise noted)

PARAMETER		PINS	MIN	TYP	MAX	UNIT
V _{MAIN}	Main supply voltage digital and analog - VDD_MAIN_IN, VDDA_IN1, VDDA_IN2	32,4,5	1.62	1.8	1.98	V
V _{PA}	DC supply rail for PA	39,40	3	3.3	3.6	
V _{IO}	DC supply rail for input/output	17	1.62	1.8	1.98	
V _{PP}	DC supply rail for OTP memory	35	1.62	1.8	1.98	
T _A	Operating ambient temperature		-40		85/105 ⁽¹⁾	°C
	Maximum power dissipation				2	W

- (1) The CC3300 and CC3301 devices may operate at temperatures of up to 105°C. This allows the device to be used reliably in applications that may be exposed to higher ambient temperature over certain periods of the product's life. At temperatures higher than 85°C, the WLAN/BLE performance may degrade.

6.4 Electrical Characteristics

PARAMETER	DESCRIPTION	TEST CONDITION	MIN	TYP	MAX	UNIT
V _{IH}	High Level Input Voltage		0.65 x V _{IO}		V _{IO}	V
V _{IL}	Low Level Input Voltage		0		0.35 x V _{IO}	
V _{OH}	High Level Output Voltage	at 4mA	V _{IO} - 0.45		V _{IO}	
V _{OL}	Low Level Output Voltage	at 4mA	0		0.45	

6.5 Thermal Resistance Characteristics

THERMAL METRIC ⁽¹⁾	DESCRIPTION	MIN	TYP	MAX	UNIT
R _{θJA}	Junction-to-ambient thermal resistance (According to JEDEC EIA/JESD 51 document)	30.5			°C/W
R _{θJC(top)}	Junction-to-case (top) thermal resistance	16.7			
R _{θJB}	Junction-to-board thermal resistance	10			
Ψ _{JT}	Junction-to-top characterization parameter	0.1			
Ψ _{JB}	Junction-to-board characterization parameter	10			
R _{θJC(bot)}	Junction-to-case (bottom) thermal resistance	1.7			

(1) For more information about traditional and new thermal metrics, see the [Semiconductor and IC Package Thermal Metrics](#) application report.

6.6 WLAN Performance: 2.4-GHz Receiver Characteristics

PARAMETER	TEST CONDITIONS	MIN	TYP	MAX	UNIT
Operational Frequency Range		2412		2472	MHZ
Sensitivity: 8% PER for 11b rates, 10% PER for 11g/n/ax rates	1 Mbps DSSS		-98		dBm
	2 Mbps DSSS		-95.3		
	11 Mbps CCK		-90		
	6 Mbps OFDM		-93.2		
	54 Mbps OFDM		-75.5		
	HT MCS0 MM 4K		-93		
	HT MCS7 MM 4K		-72.9		
	HE MCS0 4K		-92.7		
Maximum input level: 8% PER for 11b rates, 10% PER for 11g/n/ax rates	1 DSSS		0		dBm
	OFDM6, HT MCS0, HE MCS0		0		
	OFDM54, HT MCS7, HE MCS7		-9		
Adjacent Channel Rejection	1 Mbps DSSS		45		dB
	11 Mbps CCK		39		
	6 Mbps OFDM		20		
	54 Mbps OFDM		3		
	HT MCS0		20		
	HT MCS7		3		
	HE MCS0		16		
HE MCS7		-1			
RSSI Accuracy	-90 dBm to -30dBm	-3		3	dB

6.7 WLAN Performance: 2.4-GHz Transmitter Power

PARAMETER	TEST CONDITIONS	MIN	TYP	MAX	UNIT
Operational Frequency Range		2412		2472	MHz
Maximum output power at $V_{PA} > 3.0$ V	1 Mbps DSSS		20.5		dBm
	6 Mbps OFDM		20.2		
	54 Mbps OFDM		17.4		
	HT MCS0 MM		20.2		
	HT MCS7 MM		17.4		
	HE MCS0		20.2		
	HE MCS7		17.3		

6.8 BLE Performance: Receiver Characteristics

PARAMETER	TEST CONDITION	MIN	TYP	MAX	UNIT
BLE 125Kbps (LE Coded) Receiver Characteristics					
Receiver sensitivity	PER <30.2%		-102.2		dBm
Receiver saturation	PER <30.2%		0		dBm
Co-channel rejection ⁽¹⁾	Wanted signal at -79 dBm, modulated interferer in channel		10		dB
Selectivity, ± 1 MHz ⁽¹⁾	Wanted signal at -79 dBm, modulated interferer at ± 1 MHz.		0 / 0		dB
Selectivity, ± 2 MHz ⁽¹⁾	Wanted signal at -79 dBm, modulated interferer at ± 2 MHz.		-37 / -30		dB
Selectivity, ± 3 MHz ⁽¹⁾	Wanted signal at -79 dBm, modulated interferer at ± 3 MHz.		-39 / -36		dB
Selectivity, ± 4 MHz ⁽¹⁾	Wanted signal at -79 dBm, modulated interferer at ± 4 MHz.		-45 / -41		dB
RSSI Accuracy	Dynamic range of -90 to -20dBm	-4		4	dB
BLE 500Kbps (LE Coded) Receiver Characteristics					
Receiver sensitivity	PER <30.2%		-99.8		dBm
Receiver saturation	PER <30.2%		0		dBm
Co-channel rejection ⁽¹⁾	Wanted signal at -72 dBm, modulated interferer in channel.		10		dB
Selectivity, ± 1 MHz ⁽¹⁾	Wanted signal at -72 dBm, modulated interferer at ± 1 MHz.		0 / 0		dB
Selectivity, ± 2 MHz ⁽¹⁾	Wanted signal at -72 dBm, modulated interferer at ± 2 MHz.		-35 / -25		dB
Selectivity, ± 3 MHz ⁽¹⁾	Wanted signal at -72 dBm, modulated interferer at ± 3 MHz.		-40 / -37		dB
Selectivity, ± 4 MHz ⁽¹⁾	Wanted signal at -72 dBm, modulated interferer at ± 4 MHz.		-45 / -40		dB
RSSI Accuracy	Dynamic range of -90 to -20dBm	-4		4	dB
BLE 1Mbps (LE 1M) Receiver Characteristics					
Receiver sensitivity ⁽²⁾	PER <30.2%, 37-byte packets		-99.4		dBm
Receiver sensitivity ⁽²⁾	PER <30.2%, 255 byte-packets		-98.1		dBm
Receiver saturation	PER <30.2%		0		dBm
Co-channel rejection ⁽¹⁾	Wanted signal at -67 dBm, modulated interferer in channel		10		dB

PARAMETER	TEST CONDITION	MIN	TYP	MAX	UNIT
Selectivity, ±1 MHz ⁽¹⁾	Wanted signal at -67 dBm, modulated interferer at ±1 MHz		0 / 0		dB
Selectivity, ±2 MHz ⁽¹⁾	Wanted signal at -67 dBm, modulated interferer at ±2 MHz.		-35 / -28		dB
Selectivity, ±3 MHz ⁽¹⁾	Wanted signal at -67 dBm, modulated interferer at ±3 MHz		-38 / -32		dB
Selectivity, ±4 MHz ⁽¹⁾	Wanted signal at -67 dBm, modulated interferer at ±4 MHz		-45 / -40		dB
Out-of-band blocking	30 MHz to 2000 MHz, Wanted signal at -67 dBm		-23		dBm
Out-of-band blocking	2003 MHz to 2399 MHz, Wanted signal at -67 dBm		-30		dBm
Out-of-band blocking	2484 MHz to 2997 MHz, Wanted signal at -67 dBm		-30		dBm
Out-of-band blocking	3000 MHz to 6 GHz, Wanted signal at -67 dBm		-21		dBm
Intermodulation	Wanted signal at 2402 MHz, -64 dBm. Two interferers at 2405 and 2408 MHz respectively, at the given power level		-40		dBm
RSSI accuracy	Dynamic range of -90 to -20dBm	-4		4	dB
BLE 2Mbps (LE 2M) Receiver Characteristics					
Receiver sensitivity ⁽³⁾	PER <30.2%		-95.2		dBm
Receiver saturation	PER <30.2%		0		dBm
Co-channel rejection ⁽¹⁾	Wanted signal at -67 dBm, modulated interferer in channel		10		dB
Selectivity, ±2 MHz ⁽¹⁾	Wanted signal at -67 dBm, modulated interferer at ±2 MHz.		0 / 0		dB
Selectivity, ±4 MHz ⁽¹⁾	Wanted signal at -67 dBm, modulated interferer at ±4 MHz		-35 / -28		dB
Selectivity, ±6 MHz ⁽¹⁾	Wanted signal at -67 dBm, modulated interferer at ±6 MHz		-35 / -28		dB
Alternate channel rejection, ±8 MHz ⁽¹⁾	Wanted signal at -67 dBm, modulated interferer at ±8 MHz		-37 / -32		dB
Out-of-band blocking	30 MHz to 2000 MHz, Wanted signal at -67 dBm		-23		dBm
Out-of-band blocking	2003 MHz to 2399 MHz, Wanted signal at -67 dBm		-30		dBm
Out-of-band blocking	2484 MHz to 2997 MHz, Wanted signal at -67 dBm		-30		dBm
Out-of-band blocking	3000 MHz to 6 GHz, Wanted signal at -67 dBm		-21		dBm
Intermodulation	Wanted signal at 2402 MHz, -64 dBm. Two interferers at 2405 and 2408 MHz respectively, at the given power level		-44		dBm
RSSI Accuracy	Dynamic range of -90 to -20dBm	-4		4	dB

- (1) Numbers given as C/I dB
(2) BLE 1M PHY sensitivity on channels 17 and 39 may degrade by up to 2.5 dB
(3) BLE 2M PHY sensitivity on channel 17 may degrade by up to 1.5 dB

6.9 BLE Performance - Transmitter Characteristics

The CC330X devices support BLE TX setting 0,5,10, or 20 dBm

PARAMETER	DESCRIPTION	MIN	TYP	MAX	UNIT
Output Power, highest setting			20		dBm

6.10 Current Consumption - WLAN Static Modes

All results are based on measurements taken using the [RadioTool](#) evaluation application (typ values are taken with nominal devices at room temp).

PARAMETER	TEST CONDITION		SUPPLY	TYP	MAX	UNIT
Continuous TX ⁽¹⁾	1 DSSS	TX power = 20.5 dBm	V _{Main}	92		mA
			V _{PA}	250	290	
	6 OFDM	TX power = 20.2 dBm	V _{Main}	105	170	
			V _{PA}	250	290	
	54 OFDM	TX power = 17.4 dBm	V _{Main}	110		
			V _{PA}	180		
	HT MCS0	TX power = 20.2 dBm	V _{Main}	105		
			V _{PA}	245		
	HT MCS7	TX power = 17.4 dBm	V _{Main}	110		
			V _{PA}	180		
	HE MCS0	TX power = 20.2 dBm	V _{Main}	105		
			V _{PA}	240		
	HE MCS7	TX power = 17.3 dBm	V _{Main}	110		
			V _{PA}	180		
Continuous RX			V _{Main}	62		
			V _{PA}	0		

- (1) Peak current V_{PA} can hit 340mA during device calibration.
Peak current V_{MAIN} of 185mA including peripherals and internal cortex

6.11 Current Consumption - WLAN Use Cases

Nominal device at room temp

MODE	DESCRIPTION	MIN	TYP	MAX	UNIT
DTIM=1	System with 3.3V to Ext. DC/DC at 85% efficiency WLAN beacon reception every DTIM=1 (~102ms)		637		µA
	System with 1.8V WLAN beacon reception every DTIM=1 (~102ms)		980		
DTIM=3	System with 3.3V to Ext. DC/DC at 85% efficiency WLAN beacon reception every DTIM=1 (~102ms)		371		
	System with 1.8V WLAN beacon reception every DTIM=1 (~102ms)		570		
DTM=5	System with 3.3V to Ext. DC/DC at 85% efficiency WLAN beacon reception every DTIM=1 (~102ms)		319		
	System with 1.8V WLAN beacon reception every DTIM=1 (~102ms)		490		

6.12 Current Consumption - BLE Static Modes

PARAMETER	TEST CONDITION	SUPPLY	TYP	MAX	UNIT
TX, Max Duty Cycle	TX power = 0 dBm	V _{Main}	102		mA
		V _{PA}	35		
	TX power = 10 dBm	V _{Main}	102		
		V _{PA}	100		
	TX power = 20 dBm	V _{Main}	105		
		V _{PA}	250		
RX		V _{Main}	62		
		V _{PA}	0		

6.13 Current Consumption - Device States

Nominal device at room temp

MODE	DESCRIPTION	SUPPLY	TYP	UNIT
Shutdown	External supplies are available, device held in reset (nReset is low)	V _{Main} + V _{PP}	10	uA
		V _{PA}	2	
Sleep	Low power mode - RAM in retention	V _{Main} + V _{PP}	330	
		V _{PA}	2	

6.14 Timing and Switching Characteristics

6.14.1 Power Supply Sequencing

For proper operation of the CC330x device, perform the recommended power-up sequencing as follows:

1. All supplies (VDD_MAIN_IN, VDDA, VIO, VPA) must be available before nReset is released.
2. For an external slow clock, ensure that the clock is stable before nReset is deasserted (high).
3. The nReset pin should be held low for at least 10 us after stabilization of the external power supplies.

6.14.2 Clocking Specifications

The CC330x device uses two clocks for operation:

- A fast clock running at 40 MHz for WLAN/BLE functions
- A slow clock running at 32.768 kHz for low power modes

The slow clock can be generated internally or externally. The fast clock must be generated externally.

6.14.2.1 Slow Clock Generated Internally

In order to minimize external components, the slow clock can be generated by an internal oscillator. However, this clock is less accurate and consumes more power than sourcing the slow clock externally. For this scenario the Slow_CLK_IN pin should be left not connected.

6.14.2.2 Slow Clock Using an External Oscillator

For optimal power consumption, the slow clock can be generated externally by an oscillator or sourced from elsewhere in the system. The external source must meet the requirements listed below. This clock should be fed into the CC330x pin Slow_CLK_IN and should be stable before nReset is deasserted and device is enabled.

6.14.2.2.1 External Slow Clock Requirements

PARAMETER	Description	MIN	TYP	MAX	UNIT
Input slow clock frequency	Square wave		32768		Hz
Frequency accuracy	Initial + temperature + aging			±250	ppm
Input Duty cycle		30	50	70	%
T_r/T_f	Rise and fall time			100	ns
V_{IL}	Input low level	0		$0.35 \times V_{IO}$	V
V_{IH}	Input high level	$0.65 \times V_{IO}$		1.95	V
	Input impedance	1			MΩ
	Input capacitance			5	pF

6.14.2.3 Fast Clock Using an External Crystal (XTAL)

The CC330x device supports a crystal-based fast clock (XTAL). The crystal is fed directly between HFXT_P and HFXT_M pins with suitable loading capacitors, and must meet the requirements below.

6.14.2.3.1 External Fast Clock XTAL Specifications

PARAMETER	TEST CONDITIONS	MIN	TYP	MAX	UNIT
Supported frequencies			40		MHz
Frequency accuracy	Initial + temperature + aging			+/- 25	ppm
Load Capacitance, C_L ⁽¹⁾		5		13	pF
Equivalent series resistance, ESR				30	Ω
Drive level			100		uW

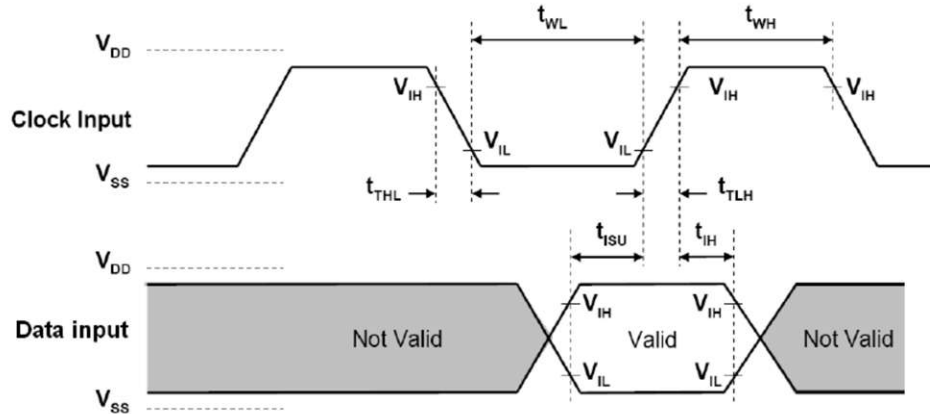
- (1) Load capacitance, $C_L = [C1 \cdot C2] / [C1 + C2] + C_p$, where C1, C2 are the capacitors connected on HFXT_P and HFXT_M, respectively, and C_p is the parasitic capacitance (typically 1 to 2 pF). For example, for C1 = C2 = 6.2pF and $C_p = 2$ pF, then $C_L = 5$ pF.

6.15 Interface Timing Characteristics

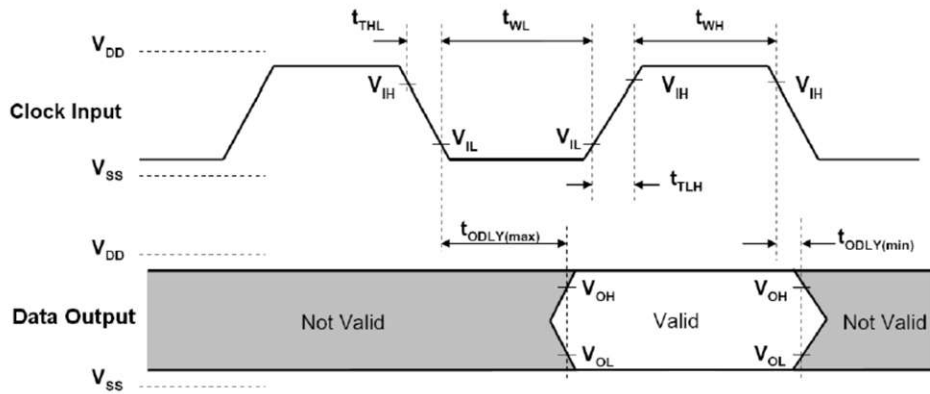
6.15.1 SDIO Timing Specifications

SDIO is the main host interface for WLAN, and it supports a maximum clock rate of 52 MHz. The CC330x device also supports shared SDIO interface for both BLE and WLAN.

6.15.1.1 SDIO Timing Diagram - Default Speed



6-1. SDIO Default Input Timing



6-2. SDIO Default Output Timing

6.15.1.2 SDIO Timing Parameters - Default Speed

PARAMETER	DESCRIPTION	MIN	MAX	UNIT
f_{clock}	Clock frequency, CLK		26	MHz
t_{High}	High Period	10		ns
t_{Low}	Low Period	10		
t_{TLH}	Rise time, CLK		10	
t_{THL}	Fall time, CLK		10	
t_{ISU}	Setup time, input valid before CLK ↑	5		
t_{IH}	Hold time, input valid after CLK ↑	5		
t_{ODLY}	Delay time, CLK ↓ to output valid	2	14	
C_L	Capacitive load on outputs	15	40	pF

6.15.1.3 SDIO Timing Diagram - High Speed

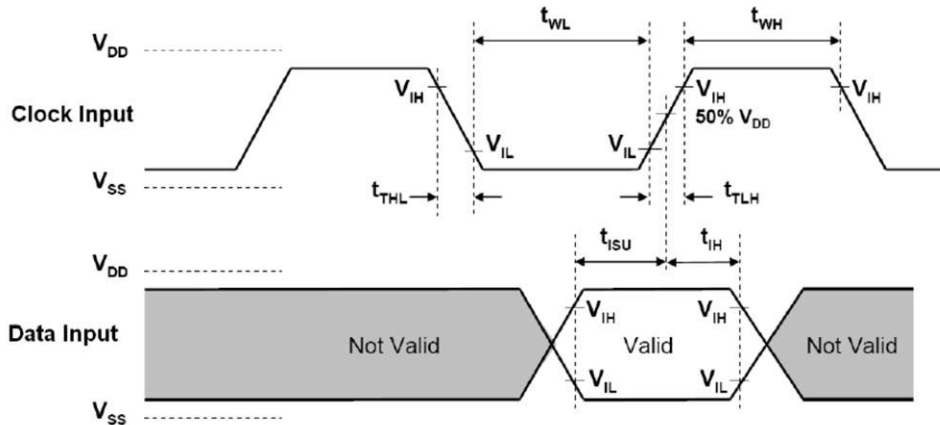


図 6-3. SDIO HS Input Timing

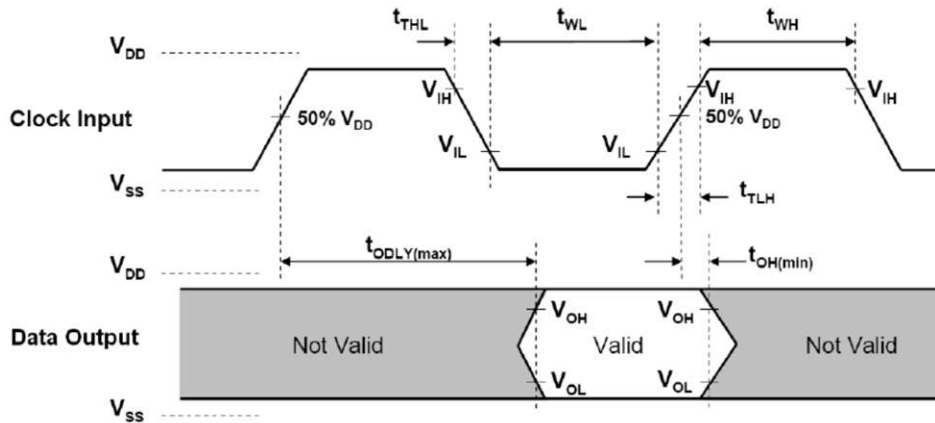


図 6-4. SDIO HS Output Timing

6.15.1.4 SDIO Timing Parameters - High Speed

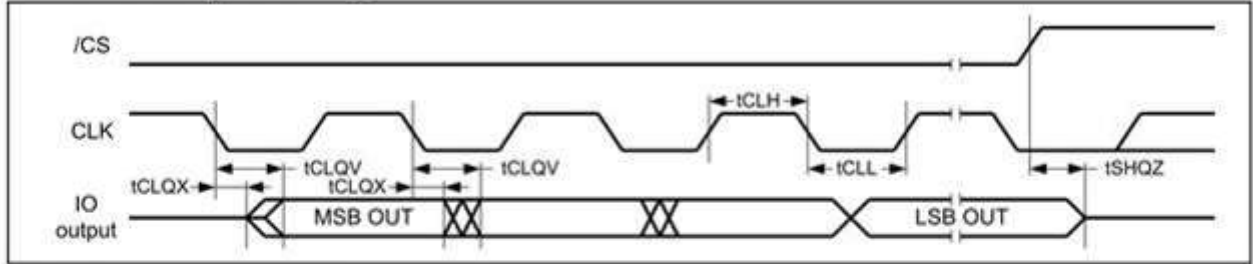
PARAMETER	DESCRIPTION	MIN	MAX	UNIT
f_{clock}	Clock frequency, CLK		52	MHz
t_{High}	High Period	7		ns
t_{Low}	Low Period	7		
t_{TLH}	Rise time, CLK		3	
t_{THL}	Fall time, CLK		3	
t_{ISU}	Setup time, input valid before CLK ↑	6		
t_{IH}	Hold time, input valid after CLK ↑	2		
t_{ODLY}	Delay time, CLK ↓ to output valid	2	14	
C_L	Capacitive load on outputs	15	40	pF

6.15.2 SPI Timing Specifications

SPI is another host interface for WLAN. The CC330x device also supports shared SPI interface for both BLE and WLAN.

6.15.2.1 SPI Timing Diagram

9.7 Serial Output Timing



9.8 Serial Input Timing

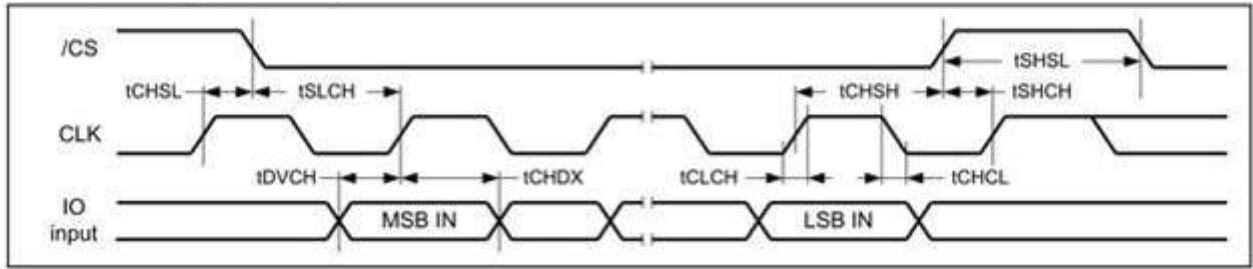


図 6-5. SPI Timing

6.15.2.2 SPI Timing Parameters

PARAMETER	DESCRIPTION	MIN	MAX	UNIT
f_{clock}	Clock frequency, CLK		26	MHz
t_{High}	High Period	10		ns
t_{Low}	Low Period	10		
t_{TLH}	Rise time, CLK		3	
t_{THL}	Fall time, CLK		3	
t_{CSsu}	CS Setup time, CS valid before CLK \uparrow	3		
t_{ISU}	PICO, input valid before CLK \uparrow	3		
t_{IH}	PICO Hold time, input valid after CLK \uparrow	3		
$t_{\text{Dr}}, t_{\text{Df}} - \text{Active}$	Delay time, CLK \uparrow/\downarrow to output valid	2	10	
$t_{\text{Dr}}, t_{\text{Df}} - \text{Sleep}$	Delay time, CLK \uparrow/\downarrow to output valid		12	
C_{L}	Capacitive load on outputs	15	40	

CC3301, CC3300

JAJSRA0D – MARCH 2023 – REVISED DECEMBER 2023

6.15.3 UART 4-Wire Interface

UART is the main host interface for BLE, which supports host controller interface (HCI) transport layer.

6.15.3.1 UART Timing Parameters

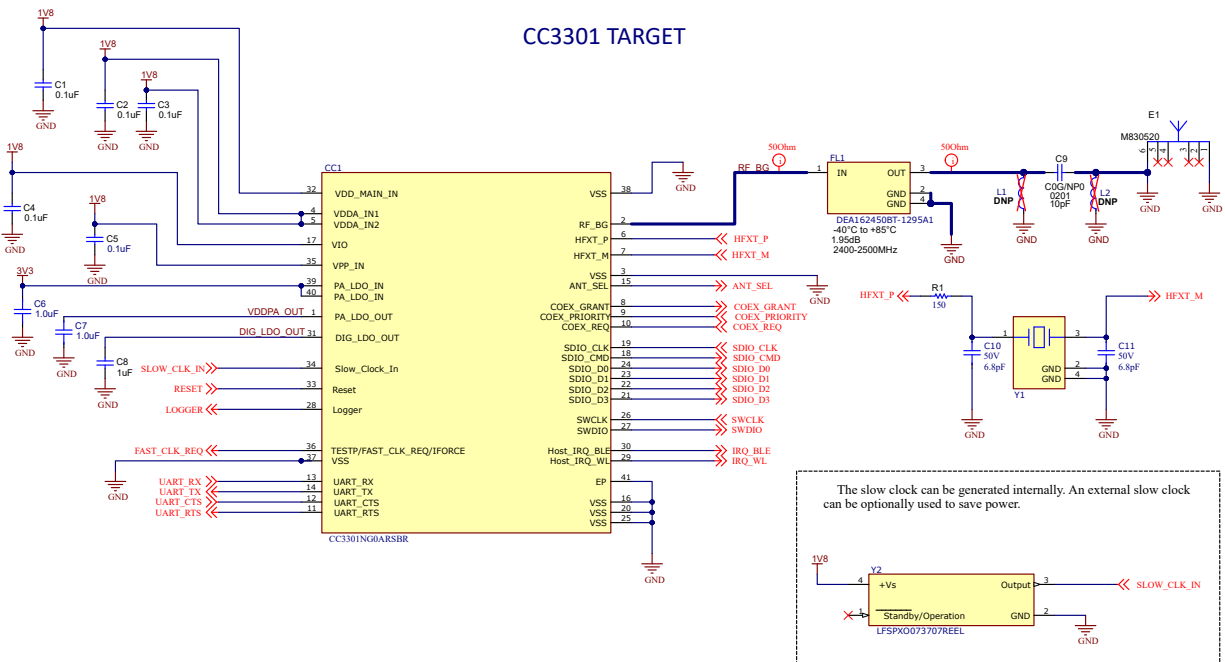
PARAMETER	CONDITION	MIN	TYP	MAX	UNIT
Baud rate		37.5		4364	kbps
Baud rate accuracy per byte	Receive/Transmit	-2.5		+1.5	%
Baud rate accuracy per bit	Receive/Transmit	-12.5		+12.5	%
CTS low to TX_DATA on		0	2		ms
CTS high to TX_DATA off	Hardware flow control			1	Byte
CTS high pulse width		1			bit
RTS low to RX_DATA on		0	2		ms
RTS high to RX_DATA off	Interrupt set to 1/4 FIFO			16	Byte

7 Applications, Implementation, and Layout

注

Information in the following applications sections is not part of the TI component specification, and TI does not warrant its accuracy or completeness. TI's customers are responsible for determining suitability of components for their purposes, as well as validating and testing their design implementation to confirm system functionality.

7-1 shows the reference schematic for the CC3301 using an optimized bill of materials.



7-1. CC3301 Reference Schematic

1. The slow clock can be generated internally. An external slow clock can be optionally used to save power.
2. For more information on antenna selection and matching, please see the [CC33xx Hardware Integration](#).

8 Device and Documentation Support

TI offers an extensive line of development tools. Tools and software to evaluate the performance of the device, generate code, and develop solutions are listed below.

8.1 サード・パーティ製品に関する免責事項

サード・パーティ製品またはサービスに関するテキサス・インスツルメンツの出版物は、単独またはテキサス・インスツルメンツの製品、サービスと一緒に提供される場合に関係なく、サード・パーティ製品またはサービスの適合性に関する是認、サード・パーティ製品またはサービスの是認の表明を意味するものではありません。

8.2 製品の命名規則

デバイスの開発進展フロー:

- X** 実験的デバイス。最終デバイスの電気的特性を必ずしも表さず、量産アセンブリ・フローを使用しない可能性があります。
- P** プロトタイプ・デバイス。最終的なシリコン・ダイとは限らず、最終的な電気的特性を満たさない可能性があります。
- 空白** 認定済みのシリコン・ダイの量産バージョン。

サポート・ツールの開発進展フロー:

- TMDX** 開発サポート製品。テキサス・インスツルメンツの社内認定試験はまだ完了していません。
- TMDS** 完全に認定済みの開発サポート製品です。

X および P デバイスと TMDX 開発サポート・ツールは、以下の免責事項の下で出荷されます。

デバイスの開発進展フロー:

- TMX** 実験的デバイス。最終デバイスの電気的特性を必ずしも表さず、量産アセンブリ・フローを使用しない可能性があります。
- TMP** プロトタイプ・デバイス。最終的なシリコン・ダイとは限らず、最終的な電気的特性を満たさない可能性があります。
- TMS** 認定済みのシリコン・ダイの量産バージョン。

サポート・ツールの開発進展フロー:

- TMDX** 開発サポート製品。テキサス・インスツルメンツの社内認定試験はまだ完了していません。
- TMDS** 完全に認定済みの開発サポート製品です。

TMX および TMP デバイスと TMDX 開発サポート・ツールは、以下の免責事項の下で出荷されます。

「開発中の製品は、社内での評価用です」。

量産デバイスおよび TMDS 開発サポート・ツールの特性は完全に明確化されており、デバイスの品質と信頼性が十分に示されています。テキサス・インスツルメンツの標準保証が適用されます。

プロトタイプ・デバイス (X または P) の方が標準的な量産デバイスに比べて故障率が高いと予測されます。これらのデバイスは予測される最終使用時の故障率が未定義であるため、テキサス・インスツルメンツでは、それらのデバイスを量産システムで使用しないよう推奨しています。認定済みの量産デバイスのみを使用する必要があります。

8.3 Tools and Software

Design Kits and Evaluation Modules

[CC330x Reference Design Files](#)

CC330x reference design CAD source files. TI recommends using this design as a reference when creating the layout in order to achieve the RF performance listed in this datasheet.

- CC3301 BoosterPack plug-in module** The CC3301 BoosterPack™ plug-in module (BP-CC3301) is a test and development board that can be easily connected to TI LaunchPad™ development kits or processor boards; thus enabling rapid software development.
- CC3301 M.2 card plug-in module** The CC3301 M.2 card plug-in module (M2-CC3301) is a test and development board that can be easily connected to TI processor boards or other processor boards with an M.2 Key E interface support; thus enabling rapid software development.

Software

- SimpleLink Wi-Fi Toolbox** SimpleLink Wi-Fi Toolbox is a collection of tools to help development and testing of the CC33xx. The Wi-Fi toolbox package provides all the capabilities required to debug and monitor WLAN/Bluetooth® Low Energy firmware with a host, perform RF validation tests, run pretest for regulatory certification testing, and debug hardware and software platform integration issues.
- CC33xx device drivers** The CC33XX are single-chip Wi-Fi 6 and Bluetooth Low Energy 5.4 companion devices suitable for both Linux and RTOS based systems. CC33XX-SOFTWARE is a collection of software development sources aimed to facilitate quick setup, out-of-box experience, and accelerate development in Linux or RTOS environments.

8.4 Documentation Support

ドキュメントの更新についての通知を受け取るには、www.tij.co.jp のデバイス製品フォルダを開いてください。[通知] をクリックして登録すると、変更されたすべての製品情報に関するダイジェストを毎週受け取ることができます。変更の詳細については、修正されたドキュメントに含まれている改訂履歴をご覧ください。

Application Reports

- CC33xx Production Line Guide** Texas Instruments™ provides many resources in order to assist users in quickly examining the functionality and performance of their devices. This document provides the necessary information to guide the user in production line testing for CC33xx. The device's functions can be checked using tools and software provided by Texas Instruments. Performance testing is more involved as external equipment is required for thorough examination.
- SimpleLink CC33xx Security Features** This document describes the CC33xx security related features, which are made available to vendors through an ecosystem that incorporates simple and concise APIs, tools, and documentation

User's Guides

- CC33xx WLAN Features User's Guide** This document provides information about CC33xx family of devices and Wi-Fi® features, as well as TI proprietary enhancements. The document does not provide the complete application programming interface (API) set, but a high-level overview of the features.
- CC33xx Hardware Integration** This document describes how to integrate the CC330x into any system and the hardware requirements for this device. Layout and schematic considerations are listed here as well, which TI highly recommends following in order to achieve the device performance listed in this datasheet.

8.5 サポート・リソース

テキサス・インスツルメンツ E2E™ サポート・フォーラムは、エンジニアが検証済みの回答と設計に関するヒントをエキスパートから迅速かつ直接得ることができる場所です。既存の回答を検索したり、独自の質問をしたりすることで、設計に必要な支援を迅速に得ることができます。

リンクされているコンテンツは、各寄稿者により「現状のまま」提供されるものです。これらはテキサス・インスツルメンツの仕様を構成するものではなく、必ずしもテキサス・インスツルメンツの見解を反映したものではありません。テキサス・インスツルメンツの[使用条件](#)を参照してください。

8.6 Trademarks

SimpleLink™ is a trademark of Ti.

テキサス・インスツルメンツ E2E™ is a trademark of Texas Instruments.

Bluetooth® is a registered trademark of Bluetooth SIG, Inc..

すべての商標は、それぞれの所有者に帰属します。

8.7 静電気放電に関する注意事項



この IC は、ESD によって破損する可能性があります。テキサス・インスツルメンツは、IC を取り扱う際には常に適切な注意を払うことを推奨します。正しい取り扱いおよび設置手順に従わない場合、デバイスを破損するおそれがあります。

ESD による破損は、わずかな性能低下からデバイスの完全な故障まで多岐にわたります。精密な IC の場合、パラメータがわずかに変化するだけで公表されている仕様から外れる可能性があるため、破損が発生しやすくなっています。

8.8 用語集

[テキサス・インスツルメンツ用語集](#)

この用語集には、用語や略語の一覧および定義が記載されています。

9 Revision History

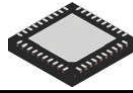
資料番号末尾の英字は改訂を表しています。その改訂履歴は英語版に準じています。

Changes from October 5, 2023 to December 19, 2023 (from Revision C (October 2023) to Revision D (December 2023))

	Page
• Updated specifications data and test conditions to production values.....	8
• Updated reference schematic.....	18

10 Mechanical, Packaging, and Orderable Information

The following pages include mechanical, packaging, and orderable information. This information is the most current data available for the designated devices. This data is subject to change without notice and revision of this document. For browser-based versions of this data sheet, refer to the left-hand navigation.

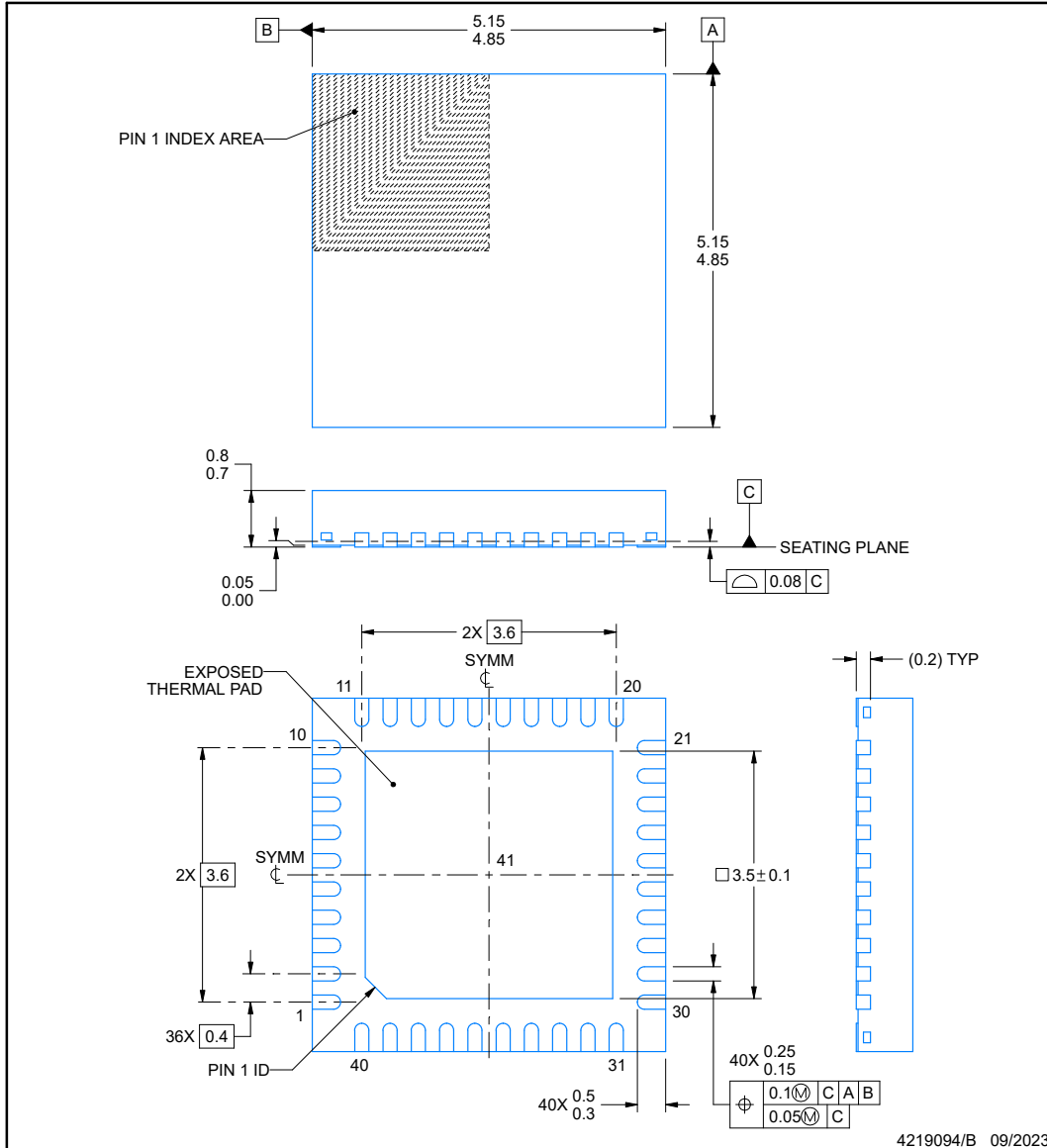


RSB0040B

PACKAGE OUTLINE

WQFN - 0.8 mm max height

PLASTIC QUAD FLATPACK - NO LEAD



NOTES:

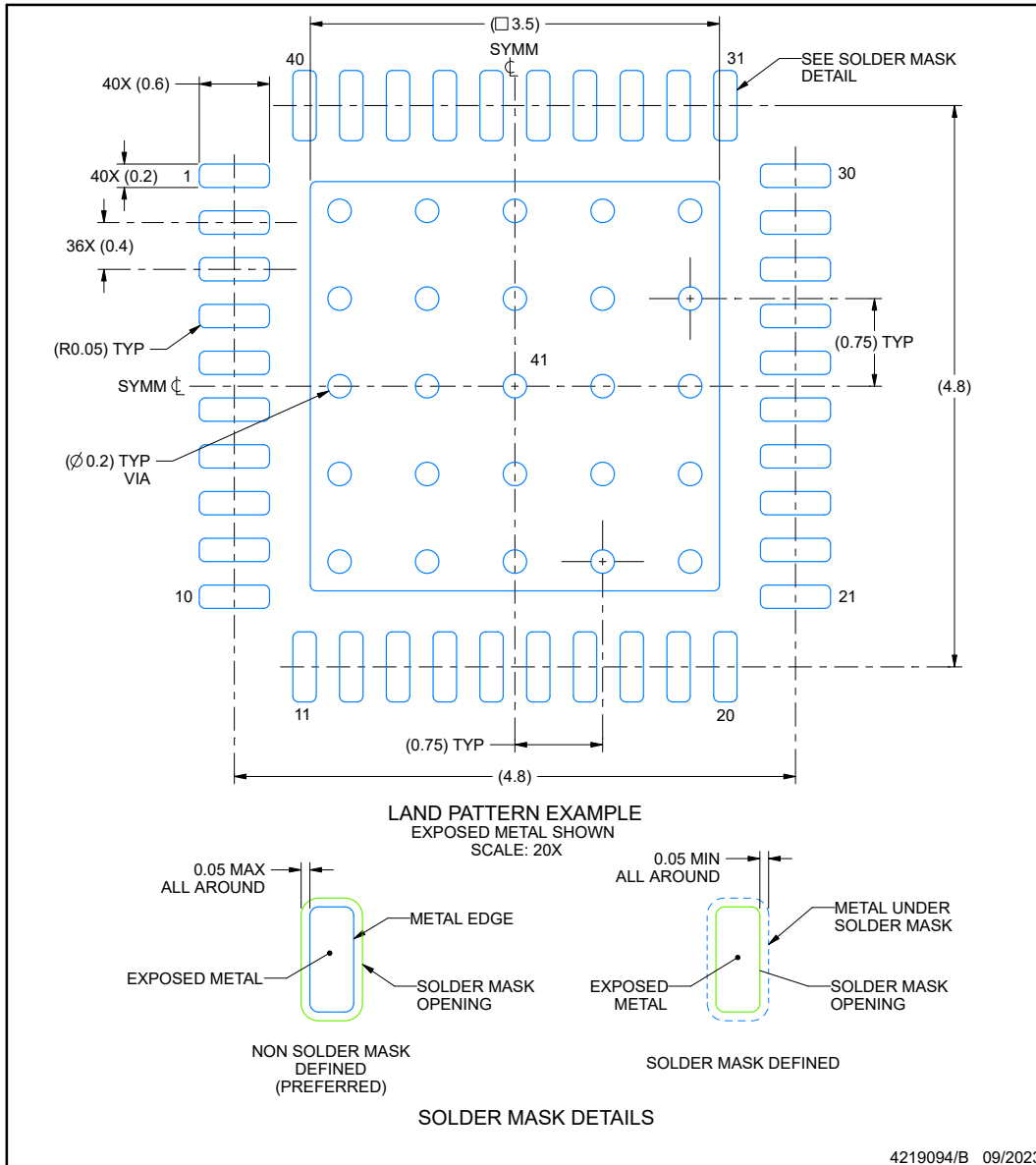
1. All linear dimensions are in millimeters. Any dimensions in parenthesis are for reference only. Dimensioning and tolerancing per ASME Y14.5M.
2. This drawing is subject to change without notice.
3. The package thermal pad must be soldered to the printed circuit board for thermal and mechanical performance.

EXAMPLE BOARD LAYOUT

RSB0040B

WQFN - 0.8 mm max height

PLASTIC QUAD FLATPACK - NO LEAD



NOTES: (continued)

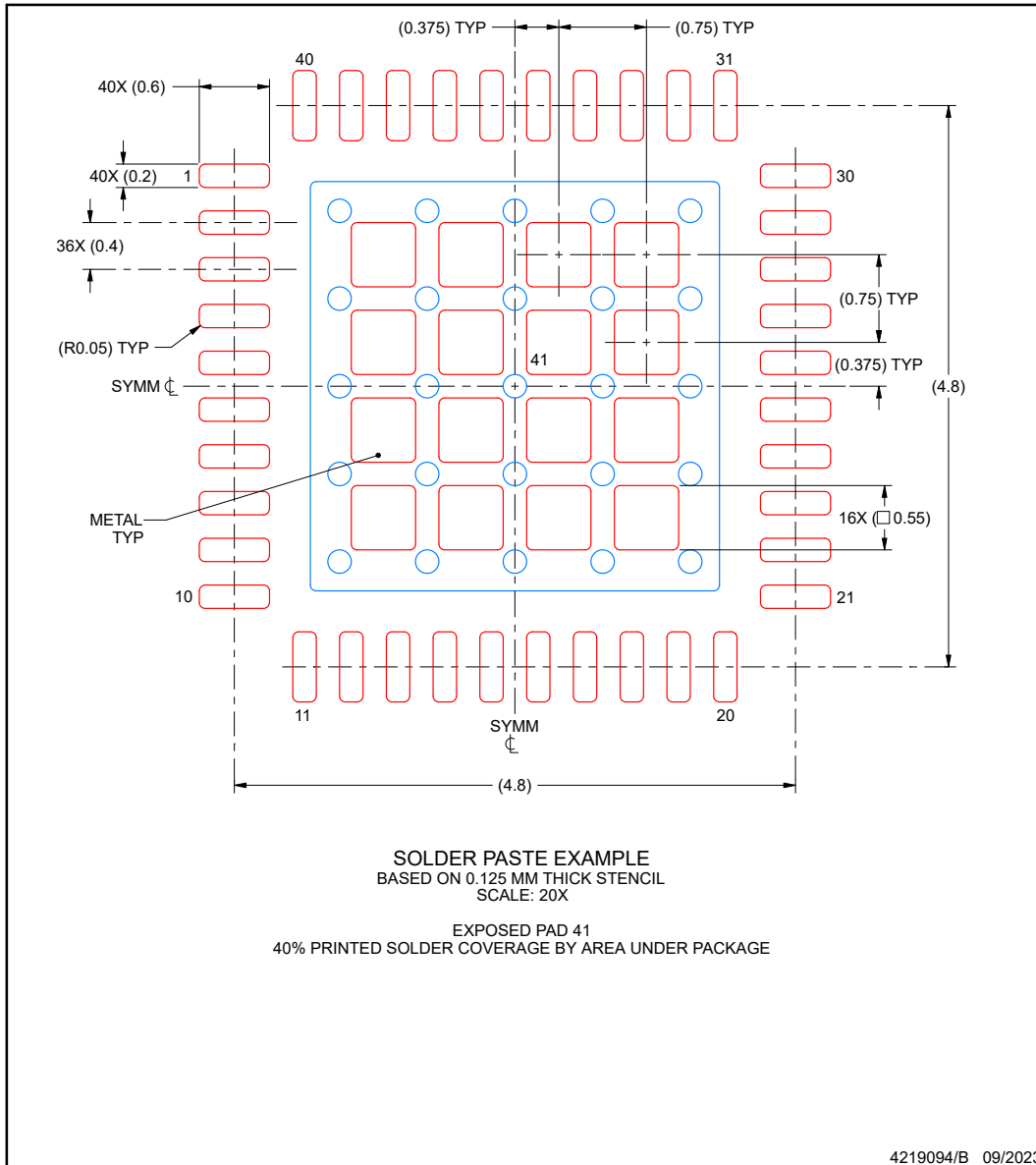
- This package is designed to be soldered to a thermal pad on the board. For more information, see Texas Instruments literature number SLUA271 (www.ti.com/lit/sluea271).
- Vias are optional depending on application, refer to device data sheet. If any vias are implemented, refer to their locations shown on this view. It is recommended that vias under paste be filled, plugged or tented.

EXAMPLE STENCIL DESIGN

RSB0040B

WQFN - 0.8 mm max height

PLASTIC QUAD FLATPACK - NO LEAD



NOTES: (continued)

6. Laser cutting apertures with trapezoidal walls and rounded corners may offer better paste release. IPC-7525 may have alternate design recommendations.

PACKAGING INFORMATION

Orderable Device	Status (1)	Package Type	Package Drawing	Pins	Package Qty	Eco Plan (2)	Lead finish/ Ball material (6)	MSL Peak Temp (3)	Op Temp (°C)	Device Marking (4/5)	Samples
CC3300ENJARSBR	ACTIVE	WQFN	RSB	40	3000	RoHS & Green	NIPDAU	Level-2-260C-1 YEAR	-40 to 105	CC3300 ENJA	Samples
CC3301ENJARSBR	ACTIVE	WQFN	RSB	40	3000	RoHS & Green	NIPDAU	Level-2-260C-1 YEAR	-40 to 105	CC3301 ENJA	Samples

(1) The marketing status values are defined as follows:

ACTIVE: Product device recommended for new designs.

LIFEBUY: TI has announced that the device will be discontinued, and a lifetime-buy period is in effect.

NRND: Not recommended for new designs. Device is in production to support existing customers, but TI does not recommend using this part in a new design.

PREVIEW: Device has been announced but is not in production. Samples may or may not be available.

OBsolete: TI has discontinued the production of the device.

(2) **RoHS:** TI defines "RoHS" to mean semiconductor products that are compliant with the current EU RoHS requirements for all 10 RoHS substances, including the requirement that RoHS substance do not exceed 0.1% by weight in homogeneous materials. Where designed to be soldered at high temperatures, "RoHS" products are suitable for use in specified lead-free processes. TI may reference these types of products as "Pb-Free".

RoHS Exempt: TI defines "RoHS Exempt" to mean products that contain lead but are compliant with EU RoHS pursuant to a specific EU RoHS exemption.

Green: TI defines "Green" to mean the content of Chlorine (Cl) and Bromine (Br) based flame retardants meet JS709B low halogen requirements of <=1000ppm threshold. Antimony trioxide based flame retardants must also meet the <=1000ppm threshold requirement.

(3) MSL, Peak Temp. - The Moisture Sensitivity Level rating according to the JEDEC industry standard classifications, and peak solder temperature.

(4) There may be additional marking, which relates to the logo, the lot trace code information, or the environmental category on the device.

(5) Multiple Device Markings will be inside parentheses. Only one Device Marking contained in parentheses and separated by a "~" will appear on a device. If a line is indented then it is a continuation of the previous line and the two combined represent the entire Device Marking for that device.

(6) Lead finish/Ball material - Orderable Devices may have multiple material finish options. Finish options are separated by a vertical ruled line. Lead finish/Ball material values may wrap to two lines if the finish value exceeds the maximum column width.

Important Information and Disclaimer:The information provided on this page represents TI's knowledge and belief as of the date that it is provided. TI bases its knowledge and belief on information provided by third parties, and makes no representation or warranty as to the accuracy of such information. Efforts are underway to better integrate information from third parties. TI has taken and continues to take reasonable steps to provide representative and accurate information but may not have conducted destructive testing or chemical analysis on incoming materials and chemicals. TI and TI suppliers consider certain information to be proprietary, and thus CAS numbers and other limited information may not be available for release.

In no event shall TI's liability arising out of such information exceed the total purchase price of the TI part(s) at issue in this document sold by TI to Customer on an annual basis.

TAPE AND REEL INFORMATION



QUADRANT ASSIGNMENTS FOR PIN 1 ORIENTATION IN TAPE



*All dimensions are nominal

Device	Package Type	Package Drawing	Pins	SPQ	Reel Diameter (mm)	Reel Width W1 (mm)	A0 (mm)	B0 (mm)	K0 (mm)	P1 (mm)	W (mm)	Pin1 Quadrant
CC3300ENJARSBR	WQFN	RSB	40	3000	330.0	12.4	5.3	5.3	1.1	8.0	12.0	Q2
CC3301ENJARSBR	WQFN	RSB	40	3000	330.0	12.4	5.3	5.3	1.1	8.0	12.0	Q2

TAPE AND REEL BOX DIMENSIONS


*All dimensions are nominal

Device	Package Type	Package Drawing	Pins	SPQ	Length (mm)	Width (mm)	Height (mm)
CC3300ENJARSBR	WQFN	RSB	40	3000	367.0	367.0	35.0
CC3301ENJARSBR	WQFN	RSB	40	3000	367.0	367.0	35.0

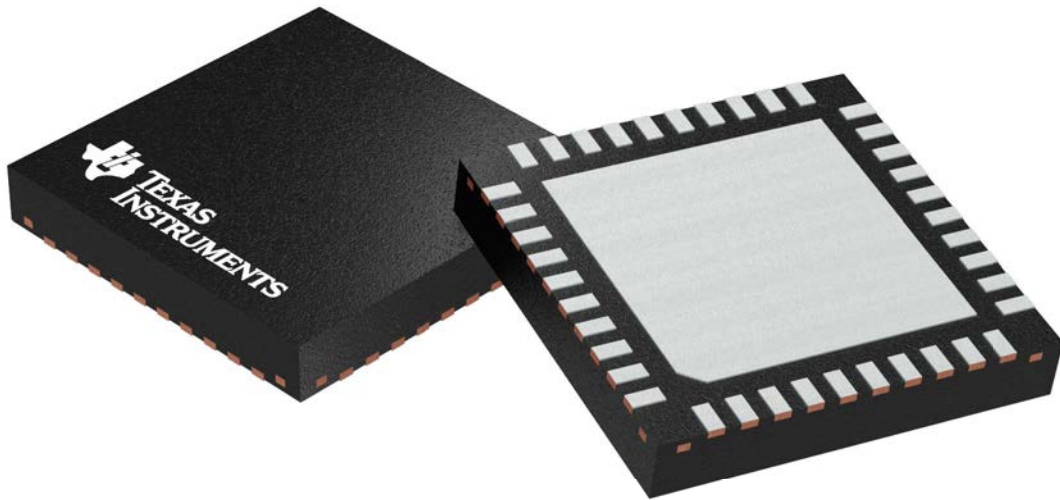
GENERIC PACKAGE VIEW

RSB 40

WQFN - 0.8 mm max height

5 x 5 mm, 0.4 mm pitch

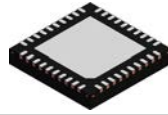
PLASTIC QUAD FLATPACK - NO LEAD



Images above are just a representation of the package family, actual package may vary.
Refer to the product data sheet for package details.

4207182/D

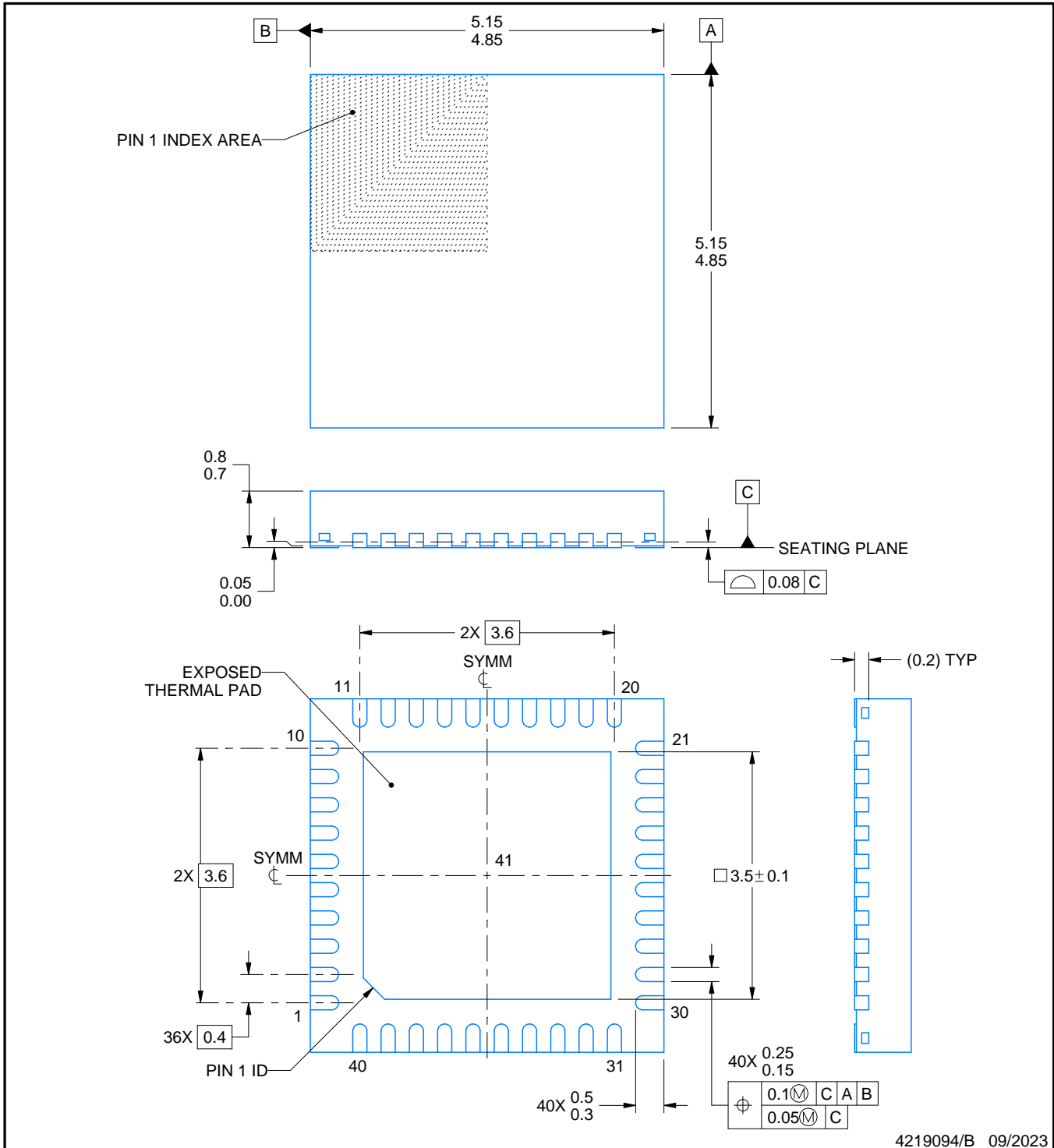
RSB0040B



PACKAGE OUTLINE

WQFN - 0.8 mm max height

PLASTIC QUAD FLATPACK - NO LEAD



NOTES:

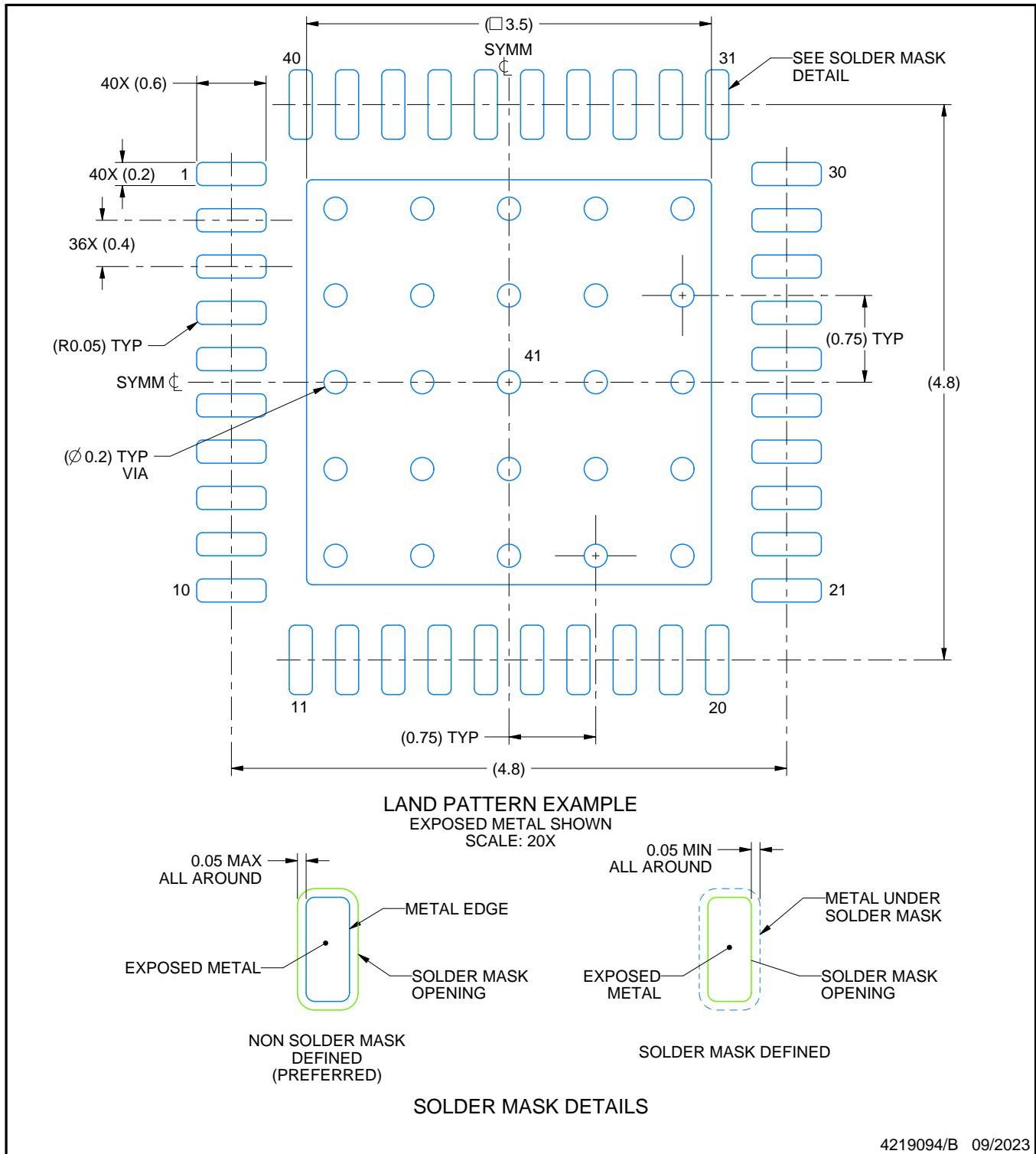
1. All linear dimensions are in millimeters. Any dimensions in parenthesis are for reference only. Dimensioning and tolerancing per ASME Y14.5M.
2. This drawing is subject to change without notice.
3. The package thermal pad must be soldered to the printed circuit board for thermal and mechanical performance.

EXAMPLE BOARD LAYOUT

RSB0040B

WQFN - 0.8 mm max height

PLASTIC QUAD FLATPACK - NO LEAD



4219094/B 09/2023

NOTES: (continued)

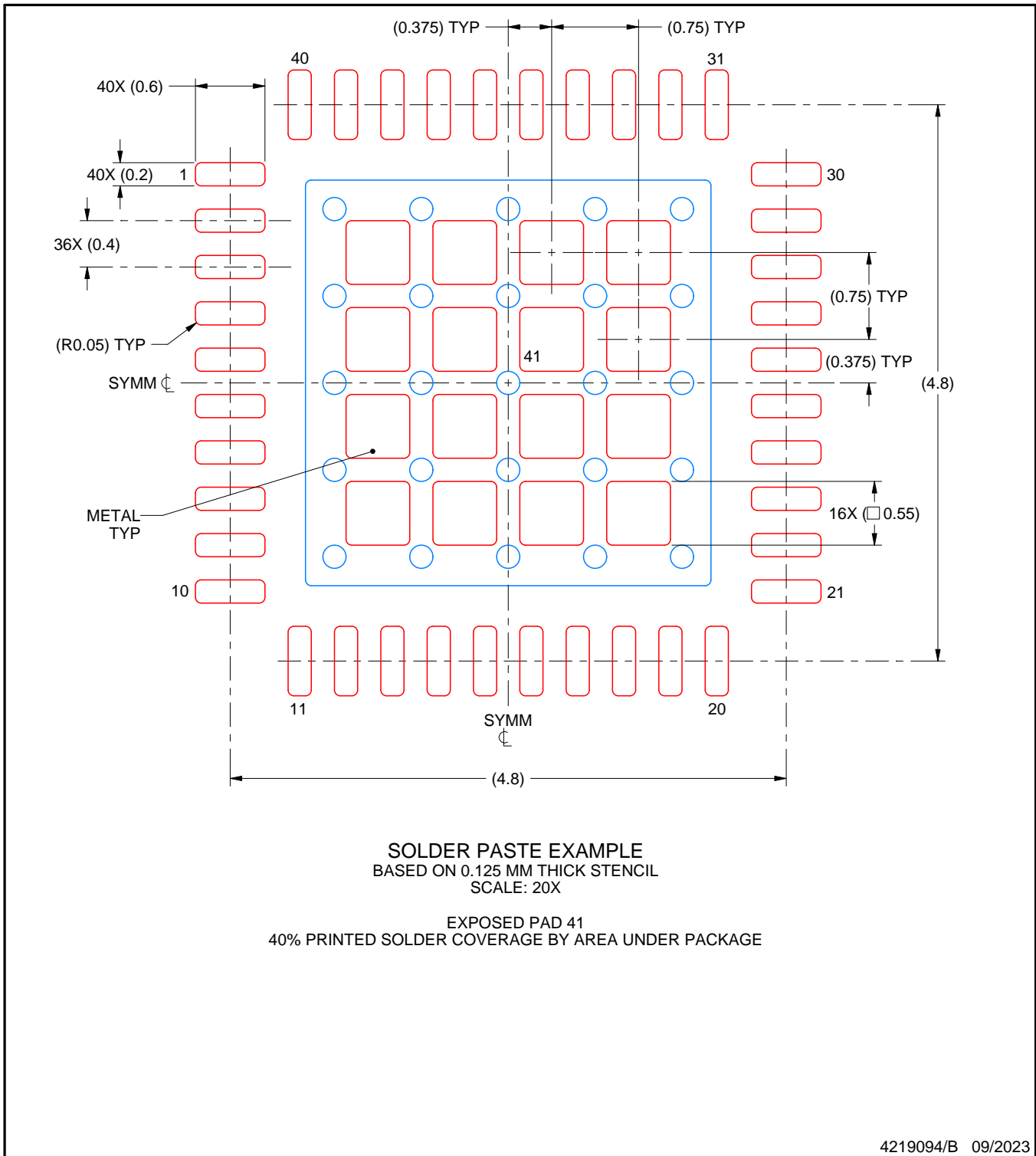
- This package is designed to be soldered to a thermal pad on the board. For more information, see Texas Instruments literature number SLUA271 (www.ti.com/lit/sluea271).
- Vias are optional depending on application, refer to device data sheet. If any vias are implemented, refer to their locations shown on this view. It is recommended that vias under paste be filled, plugged or tented.

EXAMPLE STENCIL DESIGN

RSB0040B

WQFN - 0.8 mm max height

PLASTIC QUAD FLATPACK - NO LEAD



NOTES: (continued)

6. Laser cutting apertures with trapezoidal walls and rounded corners may offer better paste release. IPC-7525 may have alternate design recommendations.

重要なお知らせと免責事項

TI は、技術データと信頼性データ(データシートを含みます)、設計リソース(リファレンス・デザインを含みます)、アプリケーションや設計に関する各種アドバイス、Web ツール、安全性情報、その他のリソースを、欠陥が存在する可能性のある「現状のまま」提供しており、商品性および特定目的に対する適合性の黙示保証、第三者の知的財産権の非侵害保証を含むいかなる保証も、明示的または黙示的にかかわらず拒否します。

これらのリソースは、TI 製品を使用する設計の経験を積んだ開発者への提供を意図したものです。(1) お客様のアプリケーションに適した TI 製品の選定、(2) お客様のアプリケーションの設計、検証、試験、(3) お客様のアプリケーションに該当する各種規格や、その他のあらゆる安全性、セキュリティ、規制、または他の要件への確実な適合に関する責任を、お客様のみが単独で負うものとし、

上記の各種リソースは、予告なく変更される可能性があります。これらのリソースは、リソースで説明されている TI 製品を使用するアプリケーションの開発の目的でのみ、TI はその使用をお客様に許諾します。これらのリソースに関して、他の目的で複製することや掲載することは禁止されています。TI や第三者の知的財産権のライセンスが付与されている訳ではありません。お客様は、これらのリソースを自身で使用した結果発生するあらゆる申し立て、損害、費用、損失、責任について、TI およびその代理人を完全に補償するものとし、TI は一切の責任を拒否します。

TI の製品は、[TI の販売条件](#)、または [ti.com](#) やかかる TI 製品の関連資料などのいずれかを通じて提供する適用可能な条項の下で提供されています。TI がこれらのリソースを提供することは、適用される TI の保証または他の保証の放棄の拡大や変更を意味するものではありません。

お客様がいかなる追加条項または代替条項を提案した場合でも、TI はそれらに異議を唱え、拒否します。

郵送先住所 : Texas Instruments, Post Office Box 655303, Dallas, Texas 75265
Copyright © 2024, Texas Instruments Incorporated