

# DCV01 シリーズ、1W、1500V<sub>RMS</sub> 絶縁型、非安定型 DC/DC コンバータ・モジュール

## 1 特長

- 1.5kV 絶縁 (機能絶縁): 1 秒間テスト
- 絶縁バリアの両側に連続的な電圧を印加: 60VDC / 42.5VAC
- UL1950 認定部品
- EN55022 Class B の EMC に準拠
- 7 ピン PDIP および 7 ピン SOP パッケージ
- 入力電圧: 5V、15V、24V
- 出力電圧: ±5V、±12V、±15V
- デバイス間の同期
- 過熱保護
- 短絡保護
- 高効率

## 2 アプリケーション

- 信号パス絶縁
- グランド・ループの除去
- データ・アクイジション
- 産業用制御および計測機器
- 試験用機器

## 3 概要

DCV01 シリーズは、1W、1500Vrms 絶縁型、非安定型の DC/DC コンバータ・モジュール・ファミリーです。必要な外付け部品を最小限にとどめ、オンチップのデバイス保護機能を内蔵した DCV01 シリーズは、出力ディセーブルや、スイッチング周波数の同期などの追加機能も提供します。

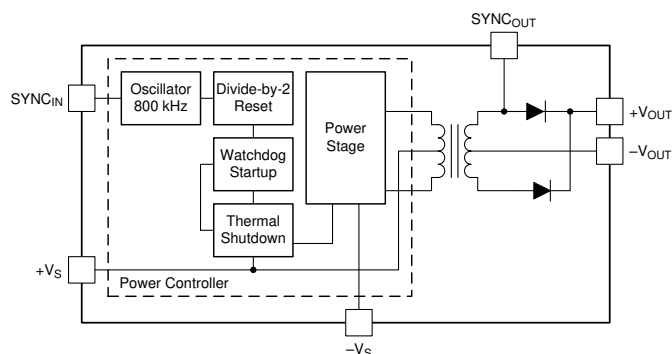
これらの機能を備え、小型である DCV01 シリーズは広範なアプリケーションに適しており、信号パスの絶縁が必要なアプリケーションで使いやすいソリューションです。

警告: この製品の機能絶縁は、信号の絶縁のみを意図したものです。強化絶縁を必要とする安全用の絶縁回路の一部として使用してはいけません。セクション 8.3 の定義を参照してください。

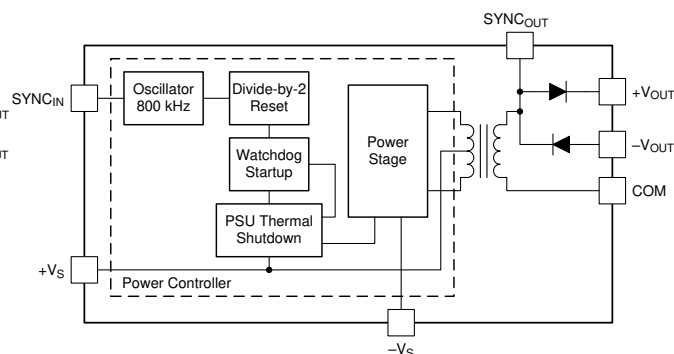
### 製品情報

部品番号	パッケージ <sup>(1)</sup>	本体サイズ (公称)
DCV01xxxx	PDIP (7)	19.18mm × 10.60mm
	SOP (7)	19.18mm × 10.60mm

- (1) 利用可能なすべてのパッケージについては、このデータシートの末尾にある注文情報を参照してください。



単一出力のブロック図



デュアル出力のブロック図



## Table of Contents

<b>1</b> 特長.....	1	8.4 Device Functional Modes.....	14
<b>2</b> アプリケーション.....	1	<b>9 Application and Implementation</b> .....	17
<b>3</b> 概要.....	1	9.1 Application Information.....	17
<b>4 Revision History</b> .....	2	9.2 Typical Application.....	17
<b>5 Device Comparison Table</b> .....	3	<b>10 Power Supply Recommendations</b> .....	20
<b>6 Pin Configuration and Functions</b> .....	3	<b>11 Layout</b> .....	21
<b>7 Specifications</b> .....	5	11.1 Layout Guidelines.....	21
7.1 Absolute Maximum Ratings.....	5	11.2 Layout Example.....	21
7.2 ESD Ratings.....	5	<b>12 Device and Documentation Support</b> .....	23
7.3 Recommended Operating Conditions.....	5	12.1 Device Support.....	23
7.4 Thermal Information.....	5	12.2 Documentation Support.....	23
7.5 Electrical Characteristics.....	6	12.3 ドキュメントの更新通知を受け取る方法.....	23
7.6 Switching Characteristics.....	6	12.4 サポート・リソース.....	23
7.7 Typical Characteristics.....	7	12.5 Trademarks.....	23
<b>8 Detailed Description</b> .....	11	12.6 静電気放電に関する注意事項.....	23
8.1 Overview.....	11	12.7 用語集.....	23
8.2 Functional Block Diagrams.....	11	<b>13 Mechanical, Packaging, and Orderable Information</b> .....	24
8.3 Feature Description.....	12		

## 4 Revision History

Changes from Revision B (September 2016) to Revision C (August 2021)	Page
• 文書全体にわたって表、図、相互参照の採番方法を更新.....	1
• <a href="#">セクション 1</a> を更新.....	1
• <a href="#">セクション 2</a> へのリンクを追加.....	1
• Added sentence in <a href="#">セクション 8.3.1.3</a> .....	12
• Added <a href="#">セクション 8.3.6</a> .....	13
• Added <a href="#">セクション 8.3.7</a> .....	13
• Added <a href="#">セクション 8.3.10</a> .....	14
Changes from Revision A (December 2013) to Revision B (September 2016)	Page
• 「特長」を変更.....	1
• 「アプリケーション」を変更.....	1
• 「製品情報」表、「製品比較」表、「ESD 定格」表、「機能説明」セクション、「デバイスの機能モード」セクション、「アプリケーションと実装」セクション、「電源に関する推奨事項」セクション、「レイアウト」セクション、「デバイスおよびドキュメントのサポート」セクション、「メカニカル、パッケージ、および注文情報」セクションを追加.....	1
• Deleted <i>Electrical Characteristics Per Device</i> table.....	6
• Added additional graphs to <i>Typical Characteristics</i> section.....	7
• Added <i>Isolation</i> subsection to <i>Feature Description</i> section.....	12
• Deleted <i>DCH, DCP, DCR, and DCV Series DC-DC Converters</i> subsection.....	12
• Deleted <i>Continuous Voltage</i> subsection.....	12
• Deleted references to DCP, DCR, DCR, and DCH series.....	12
• Added typical application design to <i>Application Information</i> section.....	17

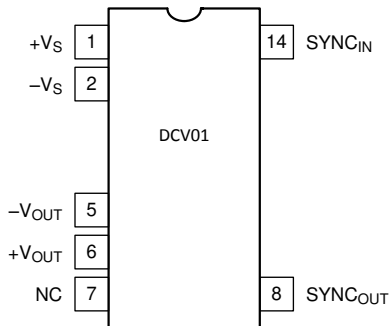
## 5 Device Comparison Table

at  $T_A = 25^\circ\text{C}$ ,  $+V_S = \text{nominal}$ ,  $C_{IN} = 2.2 \mu\text{F}$ , and  $C_{OUT} = 0.1 \mu\text{F}$  (unless otherwise noted)

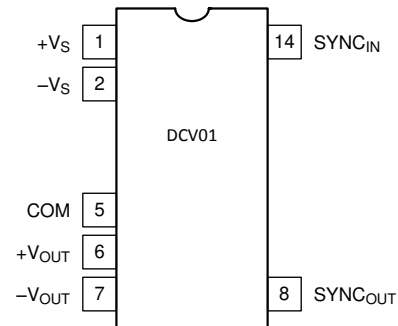
DEVICE NUMBER	INPUT VOLTAGE $V_S$ (V)			OUTPUT VOLTAGE $V_{NOM}$ at $V_S$ (TYP) (V) 75% LOAD			DEVICE OUTPUT CURRENT (mA) <sup>(3)</sup>	LOAD REGULATION 10% TO 100% LOAD <sup>(1)</sup>		NO LOAD CURRENT $I_Q$ (mA) 0% LOAD	EFFICIENCY (%) 100% LOAD	BARRIER CAPACITANCE $C_{ISO}$ (pF) $V_{ISO} = 750 V_{rms}$
	MIN	TYP	MAX	MIN	TYP	MAX	MAX	TYP	MAX	TYP	TYP	TYP
DCV010505P DCV010505P-U	4.5	5	5.5	4.75	5	5.25	200	19	31	20	80	3.6
DCV010505DP DCV010505DP-U	4.5	5	5.5	±4.25	±5	±5.75	200 <sup>(2)</sup>	18	32	22	81	3.8
DCV010512P DCV010512P-U	4.5	5	5.5	11.4	12	12.6	83	21	38	29	85	5.1
DCV010512DP DCV010512DP-U	4.5	5	5.5	±11.4	±12	±12.6	83 <sup>(2)</sup>	19	37	40	82	4
DCV010515P DCV010515P-U	4.5	5	5.5	14.25	15	15.75	66	26	42	34	82	3.8
DCV010515DP DCV010515DP-U	4.5	5	5.5	±14.25	±15	±15.75	66 <sup>(2)</sup>	19	41	42	85	4.7
DCV011512DP DCV011512DP-U	13.5	15	16.5	±11.4	±12	±12.6	83 <sup>(2)</sup>	11	39	19	78	2.5
DCV011515DP DCV011515DP-U	13.5	15	16.5	±14.25	±15	±15.75	66 <sup>(2)</sup>	12	39	20	80	2.5
DCV012405P DCV012405P-U	21.6	24	26.4	4.75	5	5.25	200	13	23	14	77	2.5
DCV012415DP DCV012415DP-U	21.6	24	26.4	±14.25	±15	±15.75	66 <sup>(2)</sup>	10	35	17	76	3.8

- (1) Load regulation =  $(V_{OUT}$  at 10% load –  $V_{OUT}$  at 100%) /  $V_{OUT}$  at 75% load  
(2)  $I_{OUT1} + I_{OUT2}$   
(3)  $P_{OUT(max)} = 1 \text{ W}$

## 6 Pin Configuration and Functions



6-1. NVA, DUA Package 7-Pin PDIP, SOP (Single-Output) (Top View)



6-2. NVA, DUA Package 7-Pin PDIP, SOP (Dual-Output) (Top View)

表 6-1. Pin Functions

NAME	PIN		I/O	DESCRIPTION
	SINGLE-OUTPUT	DUAL-OUTPUT		
COM	—	5	O	Output side common
NC	7	—	—	No connection
$SYNC_{IN}$	14	14	I	Synchronization. Synchronize multiple devices by connecting the SYNC pins of each. Pulling this pin low disables the internal oscillator.
$SYNC_{OUT}$	8	8	O	Synchronization output. Unrectified transformer output

**表 6-1. Pin Functions (continued)**

NAME	PIN		I/O	DESCRIPTION
	SINGLE-OUTPUT	DUAL-OUTPUT		
+V <sub>OUT</sub>	6	6	O	Positive output voltage
+V <sub>S</sub>	1	1	I	Input voltage
-V <sub>OUT</sub>	5	7	O	Negative output voltage
-V <sub>S</sub>	2	2	I	Input side common

## 7 Specifications

### 7.1 Absolute Maximum Ratings

over operating free-air temperature range (unless otherwise noted)<sup>(1)</sup>

		MIN	MAX	UNIT	
Input voltage	5-V input devices	7		V	
	15-V input devices	18			
	24-V input devices	29			
Lead temperature	PDIP package	Surface temperature of device body or pins (maximum 10 s)		270	°C
Reflow solder temperature	SOP package	Surface temperature of device body or pins		260	°C
Storage temperature, T <sub>stg</sub>		-60	125	°C	

- (1) Stresses beyond those listed under *Absolute Maximum Ratings* may cause permanent damage to the device. These are stress ratings only, which do not imply functional operation of the device at these or any other conditions beyond those indicated under *Recommended Operating Conditions*. Exposure to absolute-maximum-rated conditions for extended periods may affect device reliability.

### 7.2 ESD Ratings

		VALUE	UNIT
V <sub>(ESD)</sub> Electrostatic discharge	Human-body model (HBM), per ANSI/ESDA/JEDEC JS-001 <sup>(1)</sup>	±1000	V
	Charged-device model (CDM), per JEDEC specification JESD22-C101 <sup>(2)</sup>	±250	

- (1) JEDEC document JEP155 states that 500-V HBM allows safe manufacturing with a standard ESD control process.  
(2) JEDEC document JEP157 states that 250-V CDM allows safe manufacturing with a standard ESD control process.

### 7.3 Recommended Operating Conditions

over operating free-air temperature range (unless otherwise noted)

		MIN	NOM	MAX	UNIT
Input voltage	5-V input devices	4.5	5	5.5	V
	15-V input devices	13.5	15	16.5	
	24-V input devices	21.6	24	26.4	
Operating temperature		-40		85	°C

### 7.4 Thermal Information

THERMAL METRIC <sup>(1)</sup>		DCV01	DCV01	UNIT
		NVA (PDIP)	DVB (SOP)	
		7 PINS	12 PINS	
R <sub>θJA</sub>	Junction-to-ambient thermal resistance	61	61	°C/W
R <sub>θJC(top)</sub>	Junction-to-case (top) thermal resistance	26	26	°C/W
R <sub>θJB</sub>	Junction-to-board thermal resistance	24	24	°C/W
ψ <sub>JT</sub>	Junction-to-top characterization parameter	7	7	°C/W
ψ <sub>JB</sub>	Junction-to-board characterization parameter	24	24	°C/W
R <sub>θJC(bot)</sub>	Junction-to-case (bottom) thermal resistance	—	—	°C/W

- (1) For more information about traditional and new thermal metrics, see the [Semiconductor and IC Package Thermal Metrics](#) application report.

## 7.5 Electrical Characteristics

at  $T_A = 25^\circ\text{C}$ ,  $+V_S = \text{nominal}$ ,  $C_{IN} = 2.2\ \mu\text{F}$ ,  $C_{OUT} = 1\ \mu\text{F}$  (unless otherwise noted)

PARAMETER		TEST CONDITIONS	MIN	TYP	MAX	UNIT	
<b>OUTPUT</b>							
$P_{OUT}$	Output power	$I_{LOAD} = 100\%$ (full load)		0.97		W	
$V_{RIPPLE}$	Output voltage ripple	$C_{OUT} = 1\ \mu\text{F}$ , $I_{LOAD} = 50\%$		20		mV <sub>PP</sub>	
Voltage vs temperature		$-40^\circ\text{C} \leq T_A \leq 25^\circ\text{C}$		0.046%		$^\circ\text{C}$	
		$25^\circ\text{C} \leq T_A \leq 85^\circ\text{C}$		0.016%		$^\circ\text{C}$	
<b>INPUT</b>							
$V_S$	Input voltage		-10%		10%		
<b>ISOLATION</b>							
$V_{ISO}$	Isolation	1-second flash test	Voltage	1.5		kVrms	
			dV/dt			500	V/s
			Leakage current			30	nA
		Continuous working voltage across isolation barrier	DC			60	VDC
			AC			42.5	VAC
<b>LINE REGULATION</b>							
Output voltage		$I_{OUT} \geq 10\%$ load current and constant, $V_S$ (min) to $V_S$ (typ)		1%	15%		
		$I_{OUT} \geq 10\%$ load current and constant, $V_S$ (typ) to $V_S$ (max)		1%	15%		
<b>RELIABILITY</b>							
Demonstrated		$T_A = 55^\circ\text{C}$			75	FITS	
<b>THERMAL SHUTDOWN</b>							
$T_{SD}$	Die temperature at shutdown			150		$^\circ\text{C}$	
$I_{SD}$	Shutdown current			3		mA	

## 7.6 Switching Characteristics

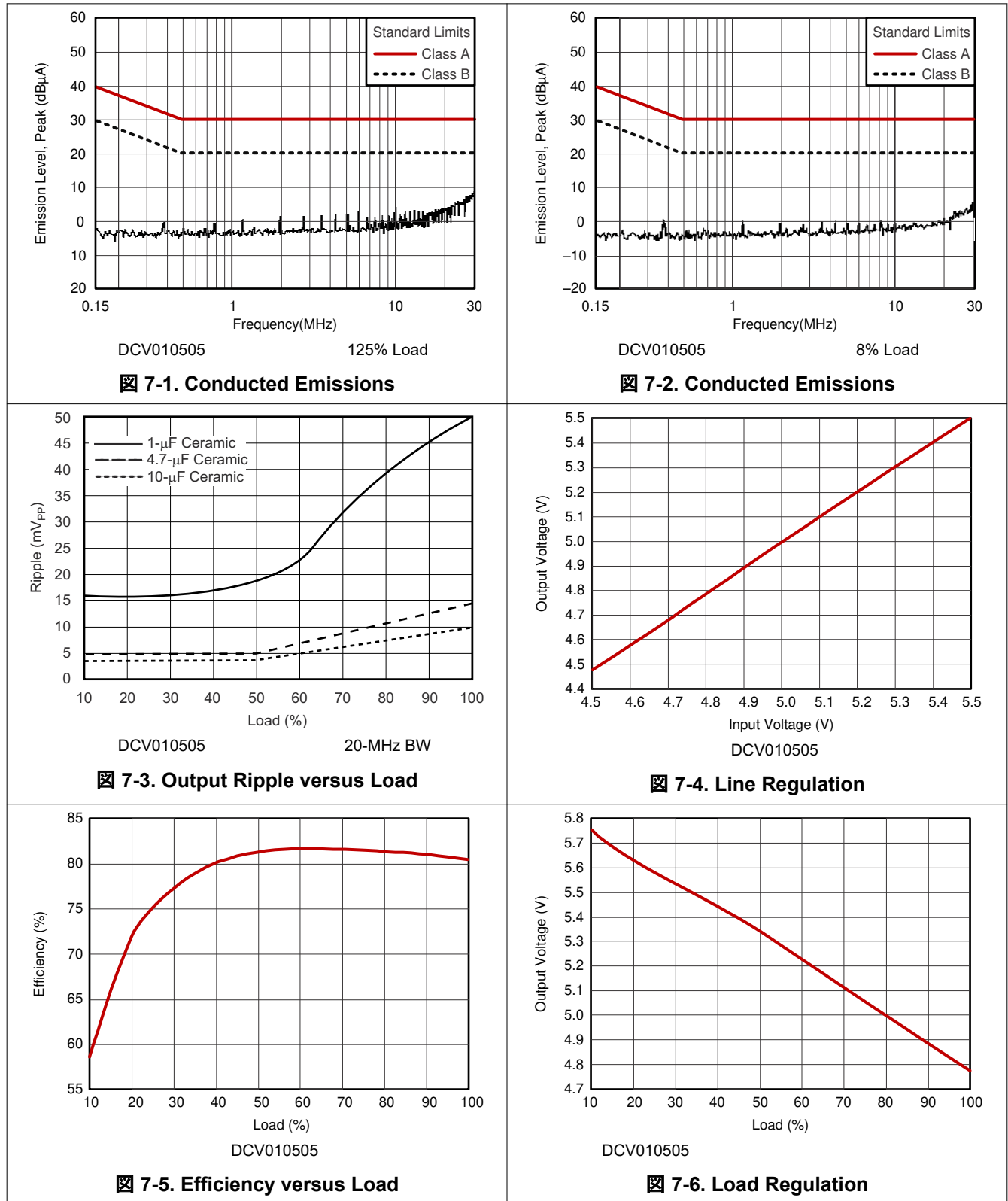
at  $T_A = 25^\circ\text{C}$ ,  $+V_S = \text{nominal}$ ,  $C_{IN} = 2.2\ \mu\text{F}$ ,  $C_{OUT} = 1\ \mu\text{F}$  (unless otherwise noted)

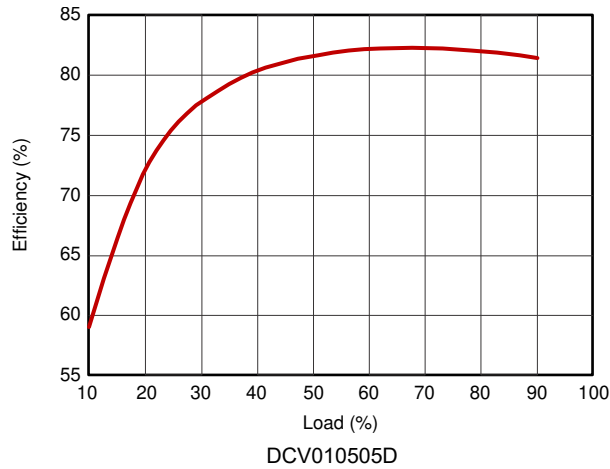
PARAMETER		TEST CONDITIONS	MIN	TYP	MAX	UNIT
$f_{OSC}$	Oscillator frequency	$f_{SW} = f_{OSC}/2$		800		kHz
$V_{IL}$	Low-level input voltage, SYNC		0		0.4	V
$I_{SYNC}$	Input current, SYNC	$V_{SYNC} = 2\ \text{V}$		75		$\mu\text{A}$
$t_{DISABLE}$	Disable time			2		$\mu\text{s}$
$C_{SYNC}$	Capacitance loading on SYNC pin <sup>(1)</sup>	External			3	pF

(1) [External Synchronization of the DCP01/02 Series of DC/DC Converters](#) describes this configuration.

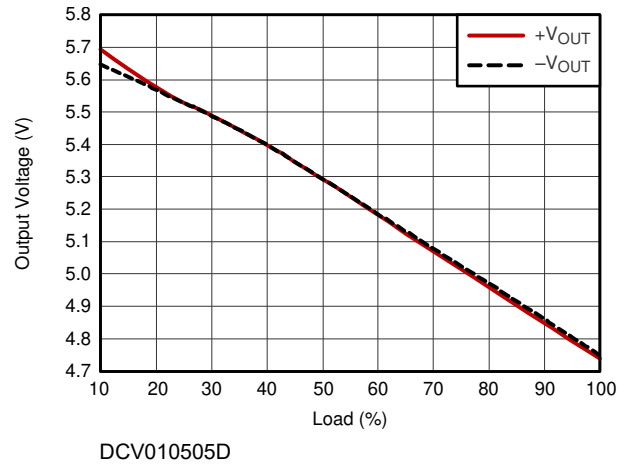
## 7.7 Typical Characteristics

at  $T_A = 25^\circ\text{C}$  (unless otherwise noted)

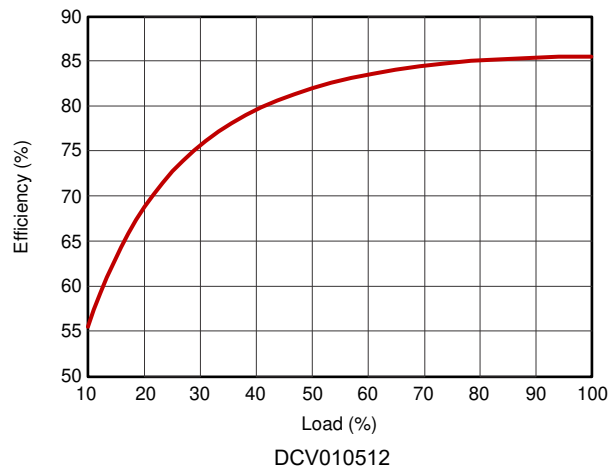




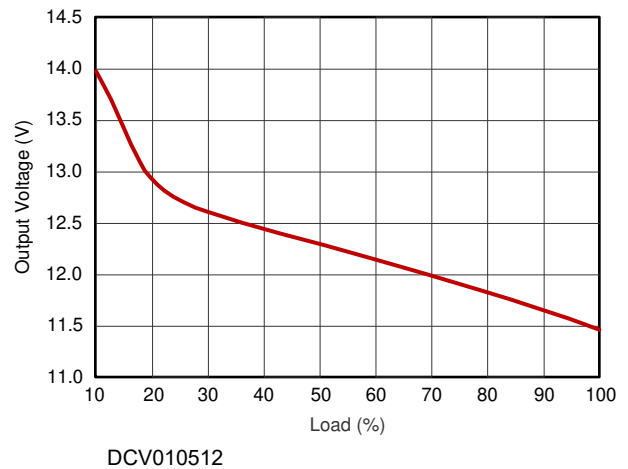
**7-7. Efficiency versus Load**



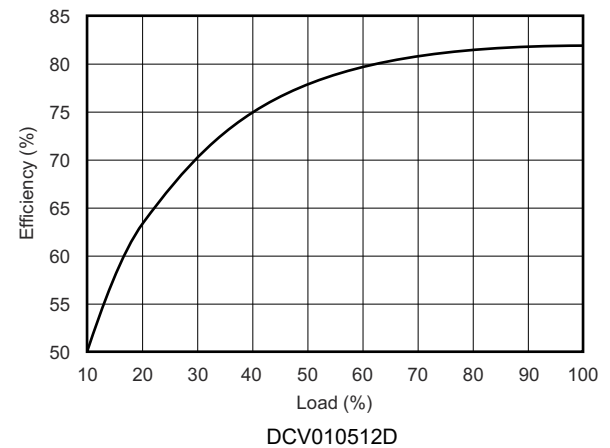
**7-8. Load Regulation**



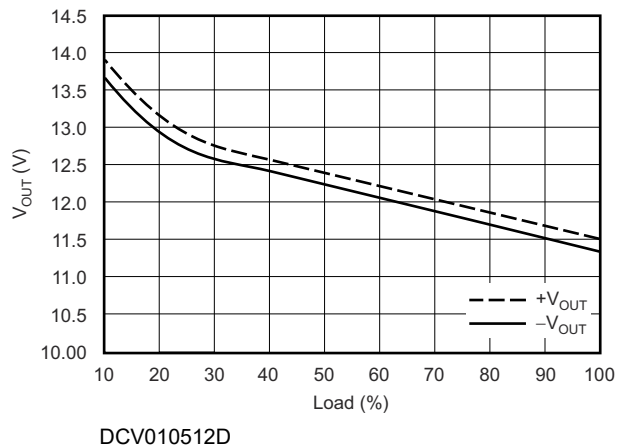
**7-9. Efficiency versus Load**



**7-10. Load Regulation**

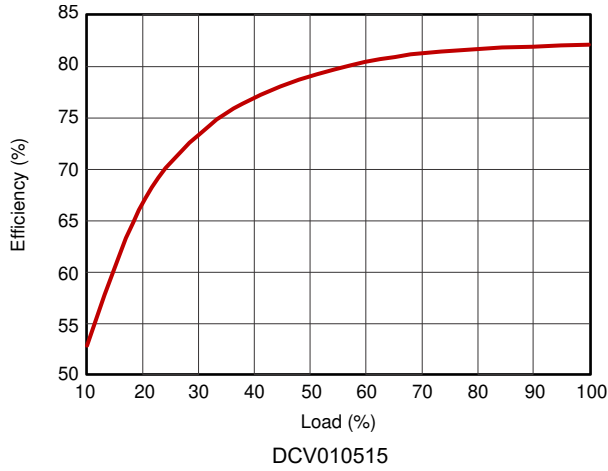


**7-11. Efficiency versus Load**

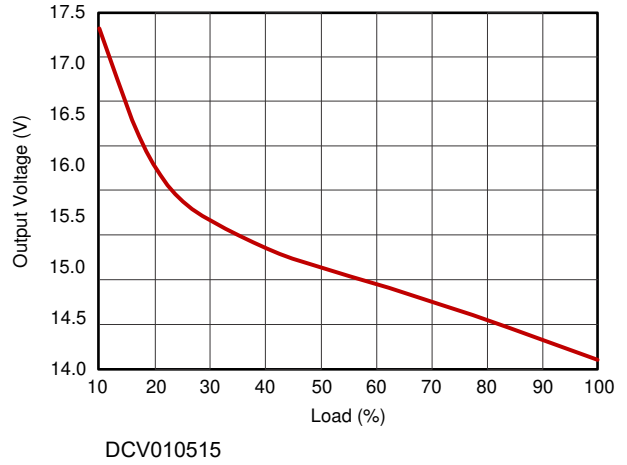


**7-12. Load Regulation**

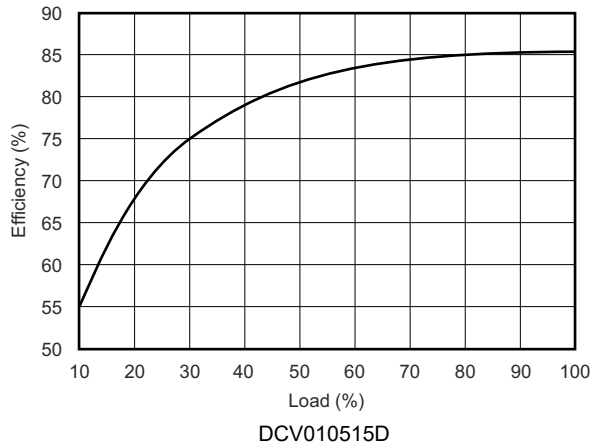




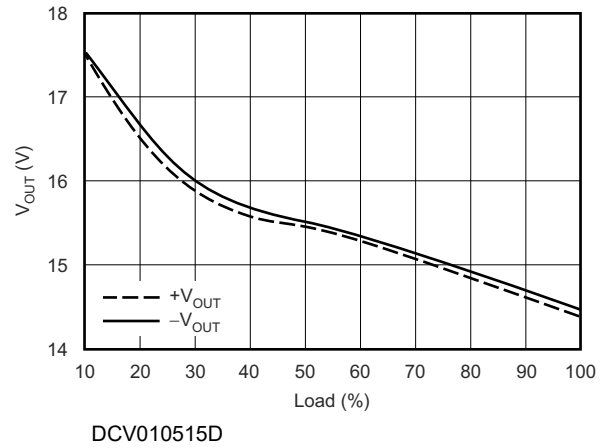
**7-13. Efficiency versus Load**



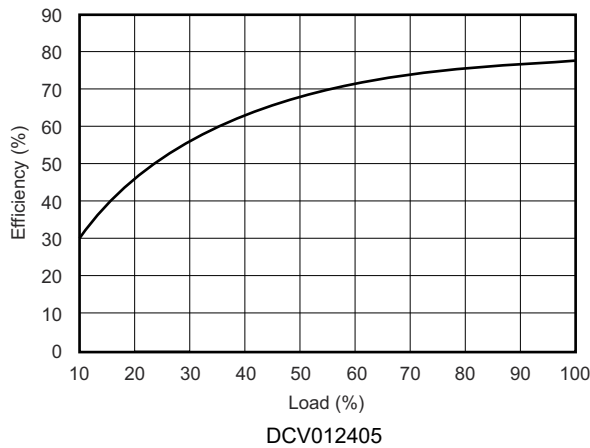
**7-14. Load Regulation**



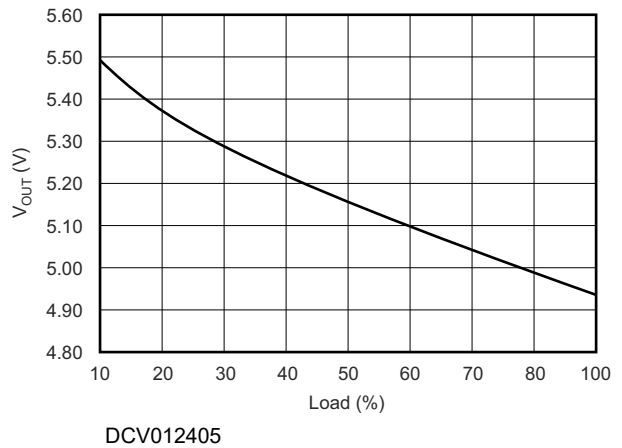
**7-15. Efficiency versus Load**



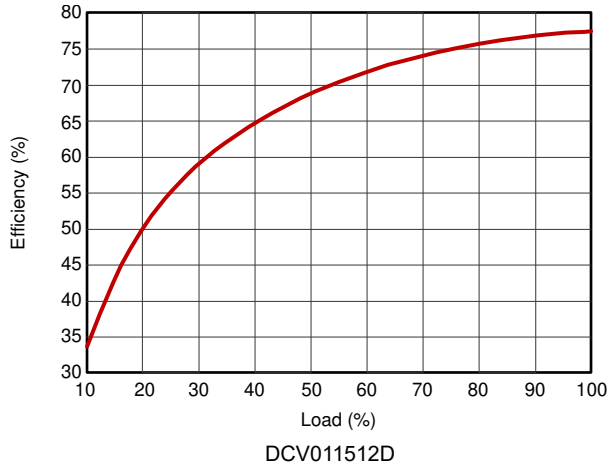
**7-16. Load Regulation**



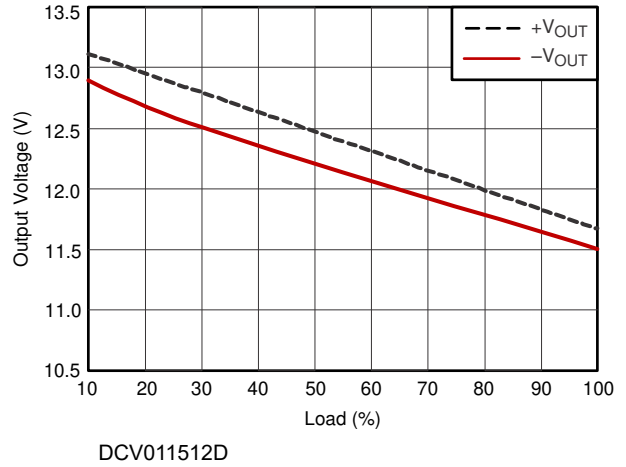
**7-17. Efficiency versus Load**



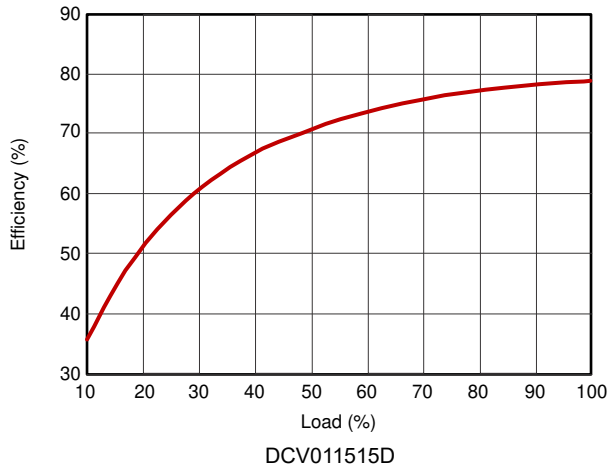
**7-18. Load Regulation**



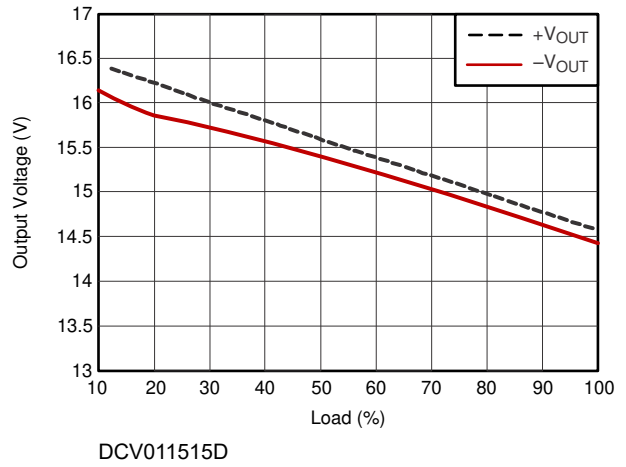
**7-19. Efficiency versus Load**



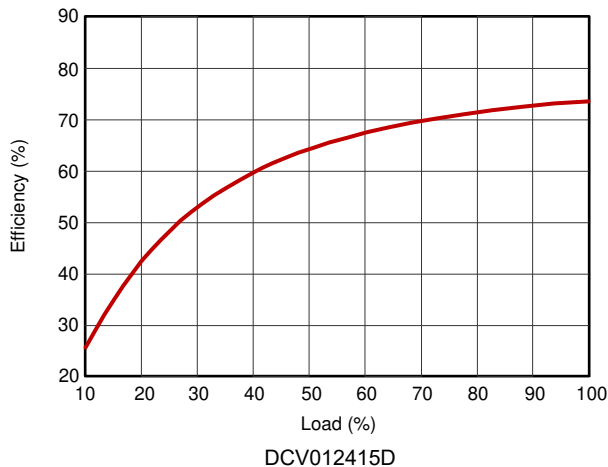
**7-20. Load Regulation**



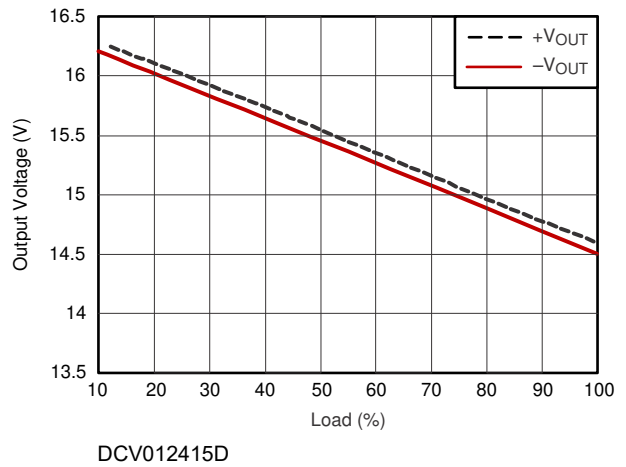
**7-21. Efficiency versus Load**



**7-22. Load Regulation**



**7-23. Efficiency versus Load**



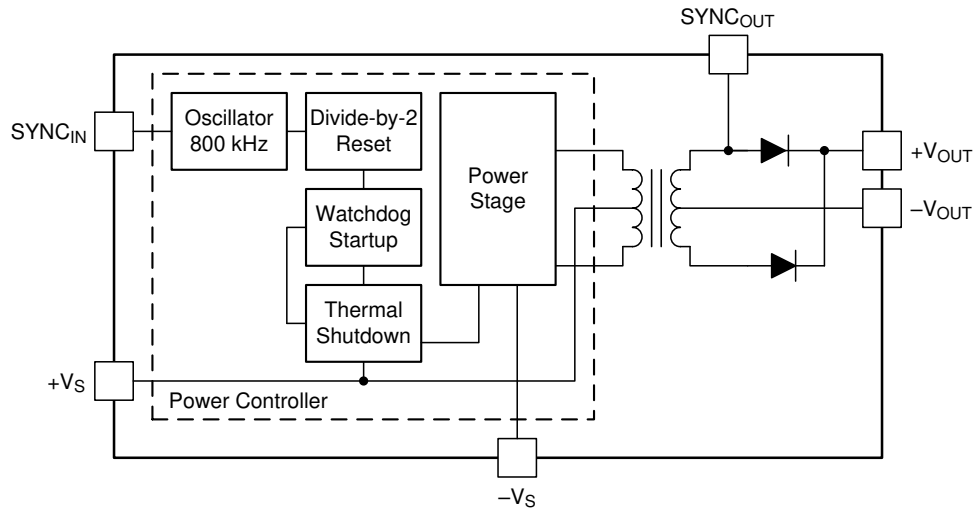
**7-24. Load Regulation**

## 8 Detailed Description

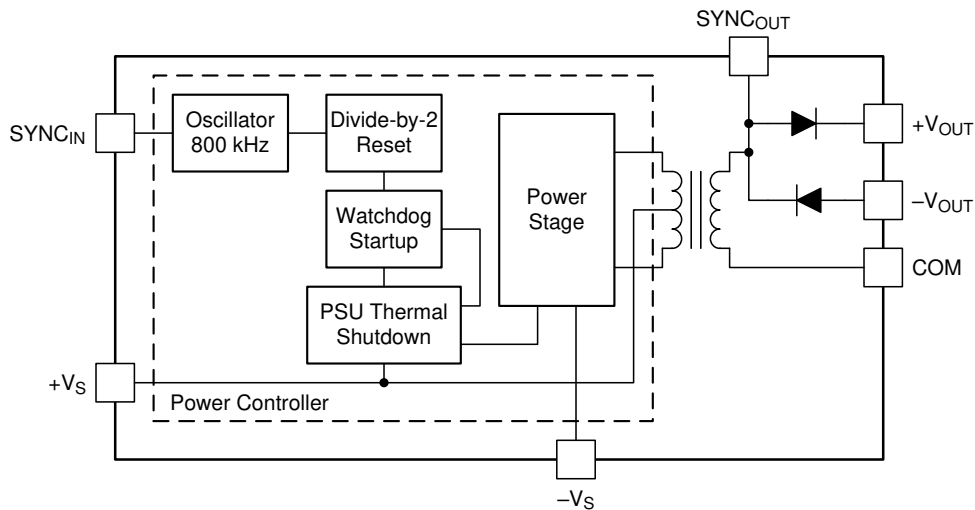
### 8.1 Overview

The DCV01 offers up to 1 W of isolated, unregulated output power from a 5-V, 15-V, or 24-V input source with a typical efficiency of up to 86%. This efficiency is achieved through highly integrated packaging technology and the implementation of a custom power stage and control device. The DCV01 devices are specified for operational isolation only. The circuit design uses an advanced BiCMOS and DMOS process.

### 8.2 Functional Block Diagrams



8-1. Single Output Device



8-2. Dual Output Device

## 8.3 Feature Description

### 8.3.1 Isolation

Underwriters Laboratories, UL™ defines several classes of isolation that are used in modern power supplies.

*Safety extra low voltage* (SELV) is defined by UL (UL1950 E199929) as a secondary circuit which is so designated and protected that under normal and single fault conditions the voltage between any two accessible parts, or between an accessible part and the equipment earthing terminal for operational isolation does not exceed steady state  $42.5 V_{RMS}$  or  $60 V_{DC}$  peak.

#### 8.3.1.1 Operation or Functional Isolation

The type of isolation used in the DCV01 products is referred to as operational or functional isolation. Insulated wire used in the construction of the transformer acts as the primary isolation barrier. A high-potential (hipot), one-second duration test (dielectric voltage, withstand test) is a production test used to verify that the isolation barrier is functioning. Products with operational isolation must never be used as an element in a safety-isolation system.

#### 8.3.1.2 Basic or Enhanced Isolation

Basic or enhanced isolation is defined by specified creepage and clearance limits between the primary and secondary circuits of the power supply. Basic isolation is the use of an isolation barrier in addition to the insulated wire in the construction of the transformer. Input and output circuits must also be physically separated by specified distances.

---

#### Note

The DCV01 products do not provide basic or enhanced isolation.

---

#### 8.3.1.3 Working Voltage

For a device with operational isolation, the continuous working voltage that can be applied across the device in normal operation must be less than  $42.5 V_{RMS}$  or  $60 V_{DC}$ . Ensure that both input and output voltages maintain normal SELV limits.

#### WARNING

Do not use the device as an element of a safety isolation system that exceeds the SELV limit.

If the device is expected to function correctly with more than  $42.5 V_{RMS}$  or  $60 V_{DC}$  applied continuously across the isolation barrier, then the circuitry on both sides of the barrier must be regarded as operating at an unsafe voltage, and further isolation or insulation systems must form a barrier between these circuits and any user-accessible circuitry according to safety standard requirements.

#### 8.3.1.4 Isolation Voltage Rating

The terms *Hipot test*, *flash-tested*, *withstand voltage*, *proof voltage*, *dielectric withstand voltage*, and *isolation test voltage* all relate to the same thing. These terms describe a test voltage that is applied across a component for a specified time, to verify the integrity of the isolation barrier of the component. TI's DCV01 series of DC/DC converters are all 100% production tested at  $1.5 kV_{rms}$  for one second.

#### 8.3.1.5 Repeated High-Voltage Isolation Testing

Repeated high-voltage isolation testing of a barrier component can degrade the isolation capability, depending on materials, construction, and environment. The DCV01 series of DC/DC converters have toroidal, enameled, wire isolation transformers with no additional insulation between the primary and secondary windings. While a device can be expected to withstand several times the stated test voltage, the isolation capability depends on the wire insulation. Any material, including this enamel (typically polyurethane), is susceptible to eventual chemical degradation when subject to very-high applied voltages. Therefore, strictly limit the number of high-voltage tests and repeated high-voltage isolation testing. However, if it is absolutely required, reduce the voltage by 20% from specified test voltage with a duration limit of one second per test.

### 8.3.2 Power Stage

The DCV01 series of devices use a push-pull, center-tapped topology. The DCV01 devices switch at 400 kHz (divide-by-2 from an 800-kHz oscillator).

### 8.3.3 Oscillator and Watchdog Circuit

The onboard, 800-kHz oscillator generates the switching frequency via a divide-by-2 circuit. The oscillator can be synchronized to other DCV01 device circuits or an external source, and is used to minimize system noise.

A watchdog circuit monitors the operation of the oscillator circuit. The oscillator can be disabled by pulling the SYNC pin low. When the SYNC pin goes low, the output pins transition into tri-state mode, which occurs within 2  $\mu$ s.

### 8.3.4 Thermal Shutdown

The DCV01 series of devices are protected by a thermal-shutdown circuit.

If the on-chip temperature rises above 150°C, the device shuts down. Normal operation resumes as soon as the temperature falls below 150°C. While the overtemperature condition continues, operation randomly cycles on and off. This cycling continues until the temperature is reduced.

### 8.3.5 Synchronization

When more than one DC/DC converter is needed onboard, beat frequencies and other electrical interference can be generated. This interference occurs because of the small variations in switching frequencies between the DC/DC converters.

The DCV01 series of devices overcome this interference by allowing devices to be synchronized to one another. Synchronize up to eight devices by connecting the SYNC pins of each device, taking care to minimize the capacitance of tracking. Stray capacitance (greater than 3 pF) reduces the switching frequency, or can sometimes stop the oscillator circuit. The maximum recommended voltage applied to the SYNC pin is 3 V.

For an application that uses more than eight synchronized devices use an external device to drive the SYNC pins. [External Synchronization of the DCP01/02 Series of DC/DC Converters](#) (SBAA035) describes this configuration.

---

#### Note

During the start-up period, all synchronized devices draw maximum current from the input simultaneously. If the input voltage falls below approximately 4 V, the devices may not start up. A ceramic capacitor must be connected close to the input pin of each device. Use a 2.2- $\mu$ F capacitor for 5-V and 15-V input devices, and a 0.47- $\mu$ F capacitor for the 24-V devices.

---

### 8.3.6 Light Load Operation (< 10%)

Operation below 10% load can cause the output voltage to increase up to double the typical output voltage. For applications that operate less than 10% of rated output current, it is recommended to add a minimum load to ensure the output voltage of the device is within the load regulation range. For example, connect a 250- $\Omega$  pre-load resistor to meet the 10% minimum load condition for the DCV010505P.

### 8.3.7 Load Regulation (10% to 100%)

The load regulation of the DCV01 series of devices are specified at 10% to 100% load. Placing a minimum of 10% load will ensure the output voltage is within the range specified in the [セクション 7.5](#). For more information regarding the operation below 10% load, see [セクション 8.3.6](#).

### 8.3.8 Construction

The basic construction of the DCV01 series of devices is the same as standard integrated circuits. The molded package contains no substrate. The DCV01 series of devices are constructed using an IC, rectifier diodes, and a wound magnetic toroid on a leadframe. Because the package contains no solder, the devices do not require any

special printed circuit board (PCB) assembly processing. This architecture results in an isolated DC/DC converter with inherently high reliability.

### 8.3.9 Thermal Management

Due to the high power density of this device, it is advisable to provide ground planes on the input and output rails.

### 8.3.10 Power-Up Characteristics

The DCV01 series of devices do not include a soft-start feature. Therefore, a high in-rush current during power-up is expected. To ensure a more stable start-up, allow the input voltage to be in regulation before enabling the device. Refer to the [セクション 8.4.1](#) section on how to disable/enable the device. [図 8-6](#) shows the typical start-up waveform for a DCV010505P when enabled after the input voltage is in regulation. [図 8-3](#) shows the typical start-up waveform for a DCV010505P, operating from a 5-V input with no load on the output. [図 8-4](#) shows the start-up waveform for a DCV010505P starting up into a 10% load. [図 8-5](#) shows the start-up waveform starting up into a full (100%) load.

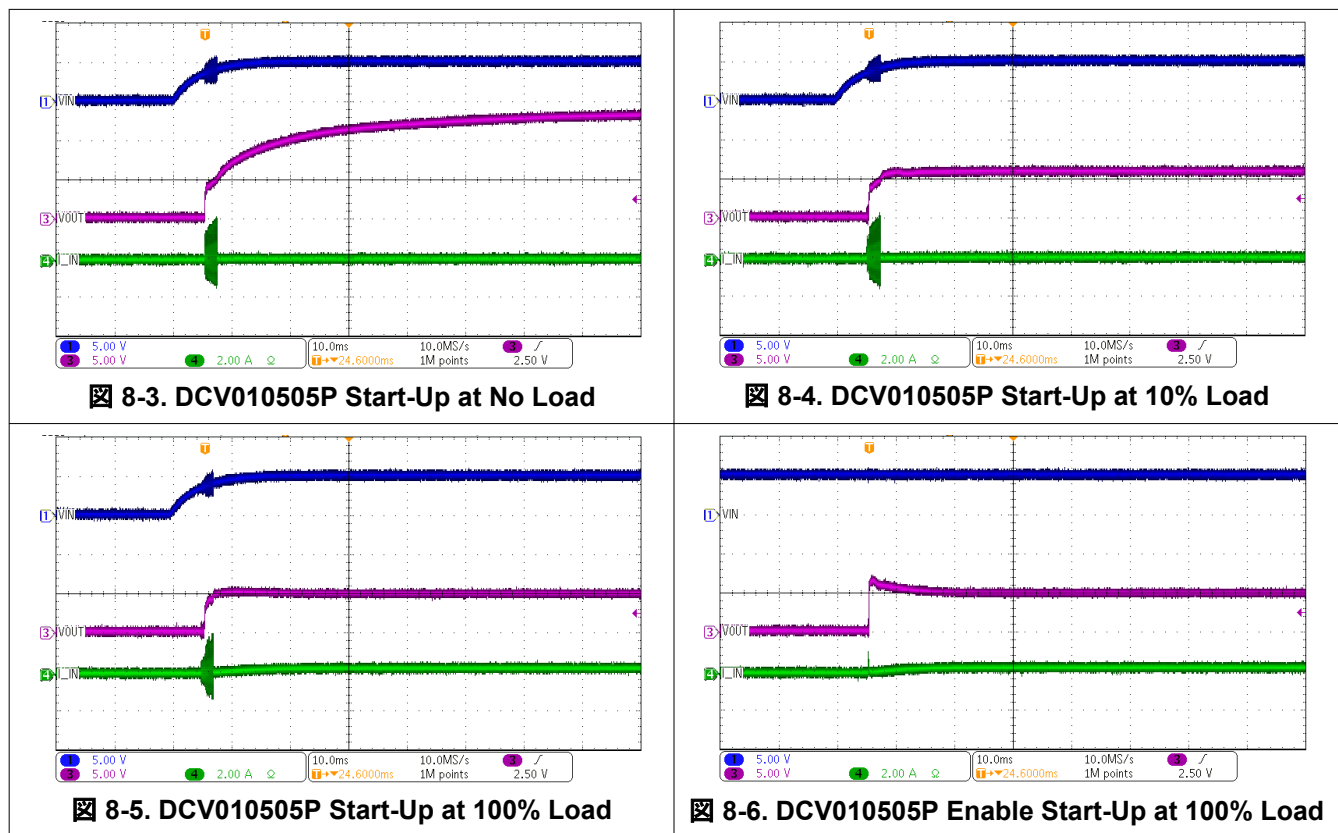


图 8-3. DCV010505P Start-Up at No Load

图 8-4. DCV010505P Start-Up at 10% Load

图 8-5. DCV010505P Start-Up at 100% Load

图 8-6. DCV010505P Enable Start-Up at 100% Load

## 8.4 Device Functional Modes

### 8.4.1 Disable and Enable (SYNC<sub>IN</sub> Pin)

Each of the DCV01 series devices can be disabled or enabled by driving the SYNC<sub>IN</sub> pin using an open-drain CMOS gate. If the SYNC<sub>IN</sub> pin is pulled low, the DCV01 becomes disabled. The disable time depends upon the external loading. The internal disable function is implemented in 2 μs. Removal of the pulldown causes the DCV01 to be enabled.

Capacitive loading on the SYNC<sub>IN</sub> pin must be minimized (≤ 3 pF) in order to prevent a reduction in the oscillator frequency. The [External Synchronization of the DCP01/02 Series of DC/DC Converters](#) application report (SBAA035) describes disable/enable control circuitry.

## 8.4.2 Decoupling

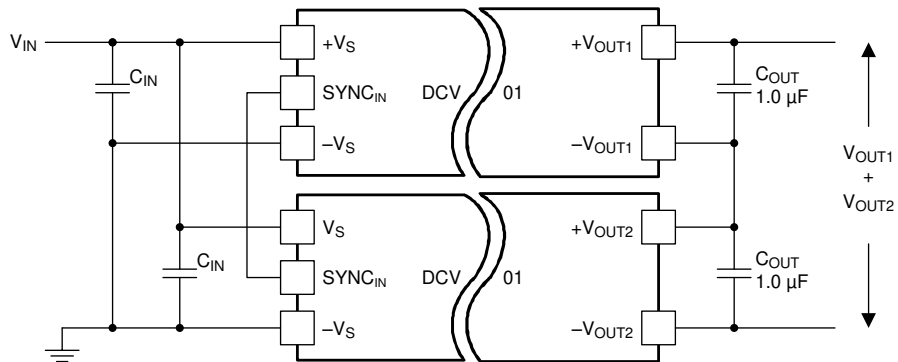
### 8.4.2.1 Ripple Reduction

The high switching frequency of 400 kHz allows simple filtering. To reduce ripple, TI recommends that a minimum of 1- $\mu$ F capacitor be used on the + $V_{OUT}$  pin. For dual output devices, decouple both of the outputs to the COM pin. The required 2.2- $\mu$ F, low ESR ceramic input capacitor also helps to reduce ripple and noise, (24-V input voltage versions require only 0.47  $\mu$ F of input capacitance). See the [DC-to-DC Converter Noise Reduction](#) application report (SBVA012).

### 8.4.2.2 Connecting the DCV01 in Series

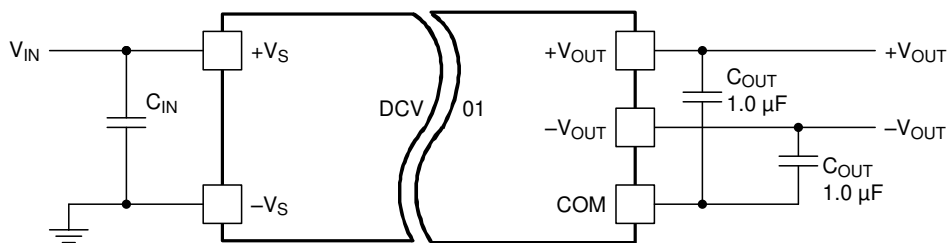
Multiple DCV01 devices can be connected in series to provide non-standard voltage rails. This configuration is possible by using the floating outputs provided by the galvanic isolation of the DCV01.

Connect the + $V_{OUT}$  from one DCV01 to the - $V_{OUT}$  of another (see [Figure 8-7](#)). If the SYNC<sub>IN</sub> pins are tied together, the self-synchronization feature of the DCV01 prevents beat frequencies on the voltage rails. The synchronization feature of the DCV01 allows easy series connection without external filtering, thus minimizing cost.



**Figure 8-7. Multiple DCV01 Devices Connected in Series**

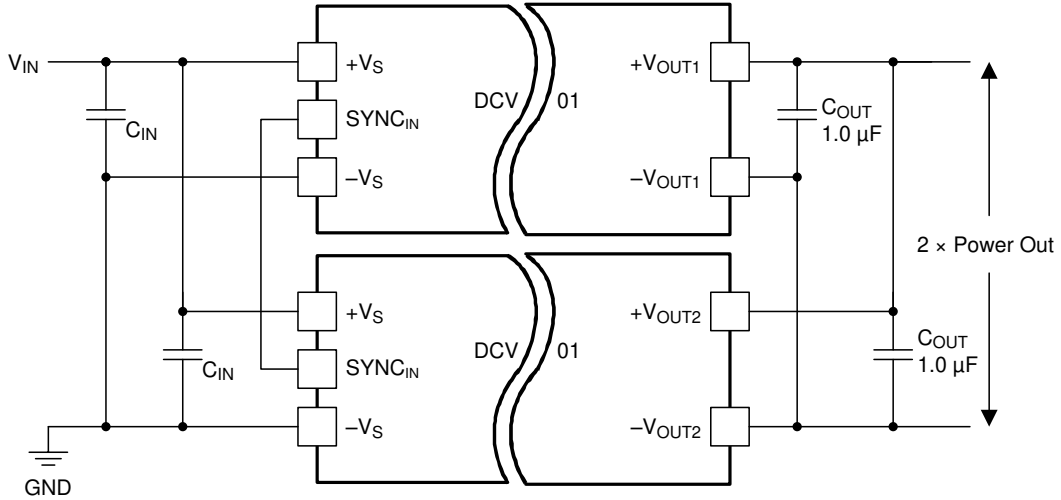
The outputs of a dual-output DCV01 can also be connected in series to provide two times the magnitude of + $V_{OUT}$ , as shown in [Figure 8-8](#). For example, connect a dual-output, 15-V, DCP012415D device to provide a 30-V rail.



**Figure 8-8. Dual Output Devices Connected in Series**

### 8.4.2.3 Connecting the DCV01 in Parallel

If the output power from one DCV01 is not sufficient, it is possible to parallel the outputs of multiple DCV01s, as shown in [Figure 8-9](#) (applies to single output devices only). The synchronization feature allows easy synchronization to prevent power-rail beat frequencies at no additional filtering cost.



**图 8-9. Multiple DCV01 Devices Connected in Parallel**



## 9 Application and Implementation

### Note

Information in the following applications sections is not part of the TI component specification, and TI does not warrant its accuracy or completeness. TI's customers are responsible for determining suitability of components for their purposes, as well as validating and testing their design implementation to confirm system functionality.

### 9.1 Application Information

The DCV01 devices offer up to 1 W of isolated, unregulated output power from a 5-V, 15-V, or 24-V input supply. Applications requiring up to 1.5-kVrms of operational isolation benefit from the small size and ease-of-use of the DCV01 family of devices.

### 9.2 Typical Application

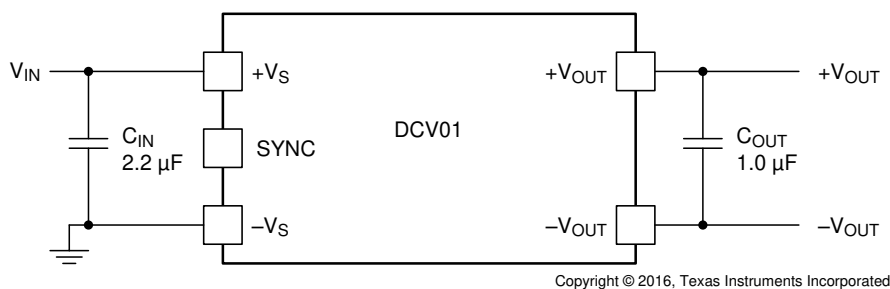


图 9-1. DCV010505 Typical Application Schematic

#### 9.2.1 Design Requirements

For this design example, use the parameters listed in 表 9-1 and follow the procedures in the セクション 9.2.2.

表 9-1. Design Example Parameters

PARAMETER	VALUE
$V_{(+V_S)}$ Input voltage	5 V
$V_{(+V_{OUT})}$ Output voltage	5 V
$I_{OUT}$ Output current rating	200 mA
$f_{SW}$ Operating frequency	400 kHz

#### 9.2.2 Detailed Design Procedure

##### 9.2.2.1 Input Capacitor

For all 5-V and 15-V input voltage designs, select a 2.2- $\mu F$  low-ESR ceramic input capacitor to ensure a good start-up performance. 24-V input applications require only 0.47  $\mu F$  of input capacitance.

##### 9.2.2.2 Output Capacitor

For any DCV01 design, select a 1- $\mu F$  low-ESR ceramic output capacitor to reduce output ripple.

##### 9.2.2.3 $SYNC_{IN}$ Pin

In a stand-alone application, leave the  $SYNC_{IN}$  pin floating.

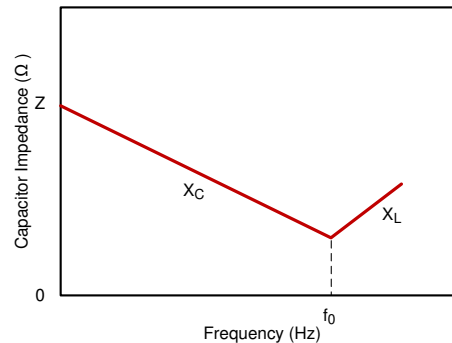
##### 9.2.2.4 PCB Design

The copper losses (resistance and inductance) can be minimized by using wide ground and power traces or planes. If several devices are being powered from a common power source, a star-connected layout must be used. Device inputs must not be connected in series, as this will cascade the resistive losses. The position of the

decoupling capacitors is important to reduce losses. Place the decoupling capacitors as close to the devices as possible. See the [PCB Layout](#) for more details.

### 9.2.2.5 Decoupling Ceramic Capacitors

All capacitors have losses because of internal equivalent series resistance (ESR), and to a lesser degree, equivalent series inductance (ESL). Values for ESL are not always easy to obtain. However, some manufacturers provide graphs of frequency versus capacitor impedance. These graphs typically show the capacitor impedance falling as frequency is increased (as shown in [Figure 9-2](#)). In [Figure 9-2](#),  $X_C$  is the reactance due to the capacitance,  $X_L$  is the reactance due to the ESL, and  $f_0$  is the resonant frequency. As the frequency increases, the impedance stops decreasing and begins to rise. The point of minimum impedance indicates the resonant frequency of the capacitor. This frequency is where the components of capacitance and inductance reactance are of equal magnitude. Beyond this point, the capacitor is not effective as a capacitor.



**Figure 9-2. Capacitor Impedance versus Frequency**

At  $f_0$ ,  $X_C = X_L$ ; however, there is a  $180^\circ$  phase difference resulting in cancellation of the imaginary component. The resulting effect is that the impedance at the resonant point is the real part of the complex impedance; namely, the value of the ESR. The resonant frequency must be well above the 800-kHz switching frequency of the device.

The effect of the ESR is to cause a voltage drop within the capacitor. The value of this voltage drop is simply the product of the ESR and the transient load current, as shown in [Equation 1](#).

$$V_{IN} = V_{PK} - (ESR \times I_{TR}) \quad (1)$$

where

- $V_{IN}$  is the voltage at the device input
- $V_{PK}$  is the maximum value of the voltage on the capacitor during charge
- $I_{TR}$  is the transient load current

The other factor that affects the performance is the value of the capacitance. However, for the input and the full wave outputs (single-output voltage devices), ESR is the dominant factor.

### 9.2.2.6 Input Capacitor and the Effects of ESR

If the input decoupling capacitor is not ceramic (and has an ESR greater than 20 mΩ), then at the instant the power transistors switch on, the voltage at the input pins falls momentarily. If the voltage falls below approximately 4 V, the DCV01 detects an undervoltage condition and switches the DCV01 drive circuits to a momentary off state. This detection is carried out as a precaution against a genuine low input voltage condition that could slow down or even stop the internal circuits from operating correctly. A slow-down or stoppage results in the drive transistors being turned on too long, causing saturation of the transformer and destruction of the device.

Following detection of a low input voltage condition, the device switches off the internal drive circuits until the input voltage returns to a safe value, at which time the device tries to restart. If the input capacitor is still unable

to maintain the input voltage, shutdown recurs. This process repeats until the input capacitor charges sufficiently to start the device correctly.

Normal start-up must occur in approximately 1 ms after power is applied to the device. If a considerably longer start-up duration time is encountered, it is likely that either (or both) the input supply or the capacitors are not performing adequately.

For 5-V to 15-V input devices, a 2.2- $\mu$ F, low-ESR ceramic capacitor ensures a good start-up performance. For 24-V input voltage devices, TI recommends 0.47- $\mu$ F ceramic capacitors. Tantalum capacitors are not recommended, because most do not have low-ESR values and will degrade performance. If tantalum capacitors must be used, designers must pay close attention to both the ESR and voltage as derated by the vendor.

#### Note

During the start-up period, these devices can draw maximum current from the input supply. If the input voltage falls below approximately 4 V, the devices may not start up. Connect a 2.2- $\mu$ F ceramic capacitor close to the input pins.

### 9.2.2.7 Ripple and Noise

A good quality, low-ESR ceramic capacitor placed as close as possible across the input reduces reflected ripple and ensures a smooth start-up.

A good quality, low-ESR ceramic capacitor placed as close as possible across the rectifier output terminal and output ground gives the best ripple and noise performance. See the [DC-to-DC Converter Noise Reduction](#) application report (SBVA012) for more information on noise rejection.

#### 9.2.2.7.1 Output Ripple Calculation Example

The following example shows that increasing the capacitance has a much smaller effect on the output ripple voltage than does reducing the value of the ESR for the filter capacitor.

To calculate the output ripple for a DCV010505 device:

- $V_{OUT} = 5\text{ V}$
- $I_{OUT} = 0.2\text{ A}$
- At full output power, the load resistor is 25  $\Omega$
- Output capacitor of 1  $\mu$ F, ESR of 0.1  $\Omega$
- Capacitor discharge time 1% of 800 kHz (ripple frequency)
- $t_{DIS} = 0.0125\ \mu\text{s}$
- $\tau = C \times R_{LOAD}$
- $\tau = 1 \times 10^{-6} \times 25 = 25\ \mu\text{s}$
- $V_{DIS} = V_O(1 - \text{EXP}(-t_{DIS} / \tau))$
- $V_{DIS} = 2.5\text{ mV}$

By contrast, the voltage dropped because of ESR:

- $V_{ESR} = I_{LOAD} \times \text{ESR}$
- $V_{ESR} = 0.2 \times 0.1 = 20\text{ mV}$
- Ripple voltage = 22.5 mV

#### 9.2.2.8 Dual DCV01 Output Voltage

The voltage output for dual DCV01 devices is half-wave rectified; therefore, the discharge time is 1.25  $\mu$ s. Repeating the previous calculations using the 100% load resistance of 50  $\Omega$  (0.1 A per output), the results are:

- $\tau = 50\ \mu\text{s}$
- $t_{DIS} = 1.25\ \mu\text{s}$
- $V_{DIS} = 123\text{ mV}$
- $V_{ESR} = 0.1 \times 0.1 = 10\text{ mV}$
- Ripple Voltage = 133 mV

In this example, it is the capacitor discharging that contributes to the largest component of ripple. Changing the output filter to 10  $\mu\text{F}$ , and repeating the calculations, the result is that the ripple voltage is 22.3 mV.

This value is composed of almost equal components.

The previous calculations are offered as a guideline only. Capacitor parameters usually have large tolerances and can be susceptible to environmental conditions.

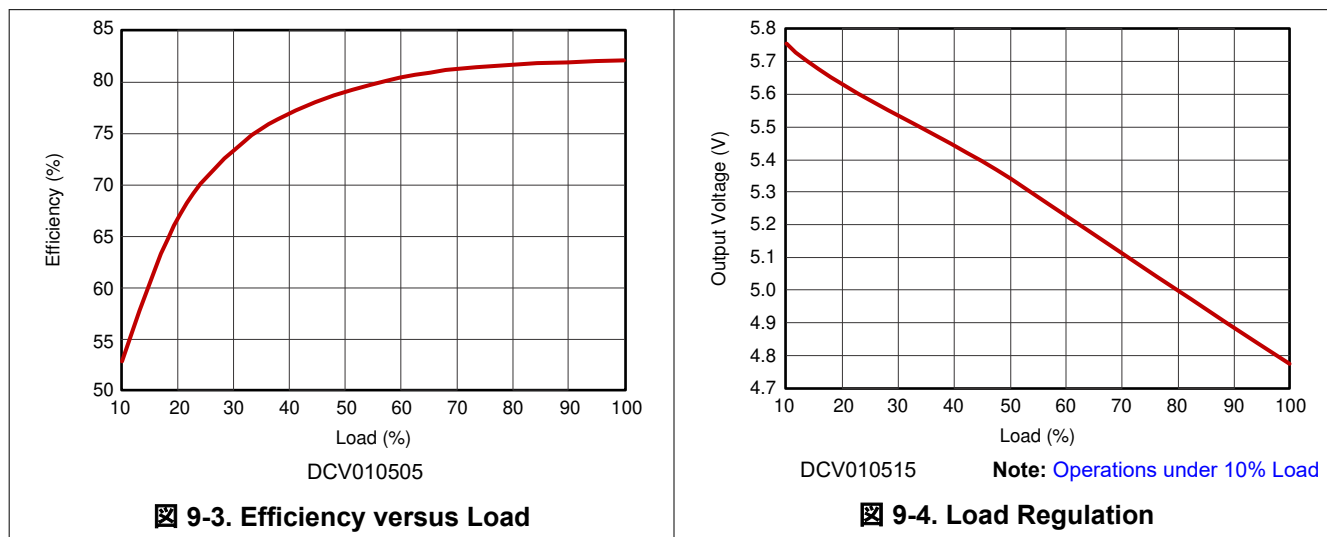
### 9.2.2.9 Optimizing Performance

Optimum performance can only be achieved if the device is correctly supported. The very nature of a switching converter requires power to be instantly available when it switches on. If the converter has DMOS switching transistors, the fast edges create a high current demand on the input supply. This transient load placed on the input is supplied by the external input decoupling capacitor, thus maintaining the input voltage. Therefore, the input supply does not experience this transient (this is analogous to high-speed digital circuits). The positioning of the capacitor is critical and must be placed as close as possible to the input pins and connected through a low-impedance path.

The optimum performance primarily depends on two factors:

- Connection of the input and output circuits for minimal loss.
- The ability of the decoupling capacitors to maintain the input and output voltages at a constant level.

### 9.2.3 Application Curves




## 10 Power Supply Recommendations

The DCV01 is a switching power supply, and as such can place high peak current demands on the input supply. To avoid the supply falling momentarily during the fast switching pulses, ground and power planes must be used to connect the power to the input of DCV01. If this connection is not possible, then the supplies must be connected in a star formation with the traces made as wide as possible.

## 11 Layout

### 11.1 Layout Guidelines

Due to the high power density of these devices, provide ground planes on the input and output.

 11-1 shows a schematic for two DCV01 devices.  11-2 and  11-3 show a typical layout for two through-hole PDIP devices.

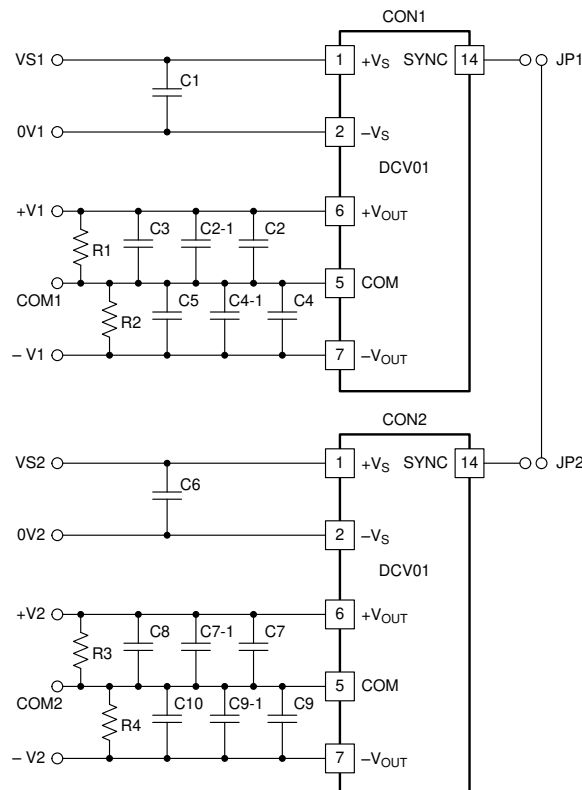
Input power and ground planes provide a low-impedance path for the input power. For the output, the COM signal connects through a ground plane, while the connections for the positive and negative voltage outputs conduct through wide traces to minimize losses.

The output must be taken from the device using ground and power planes, thereby ensuring minimum losses.

The location of the decoupling capacitors in close proximity to their respective pins ensures low losses due to the effects of stray inductance, thus improving the ripple performance. This location is of particular importance to the input decoupling capacitor, because this capacitor supplies the transient current associated with the fast switching waveforms of the power drive circuits.

Allow the unused SYNC pin, to remain configured as a floating pad. It is advisable to place a guard ring (connected to input ground) or annulus connected around this pin to avoid any noise pickup. When connecting a SYNC pin to one or more SYNC design the linking trace to be short and narrow to avoid stray capacitance. Ensure that no other trace is in close proximity to this trace SYNC trace to decrease the stray capacitance on this pin. The stray capacitance affects the performance of the oscillator.

### 11.2 Layout Example



 11-1. PCB Schematic, P and U Package

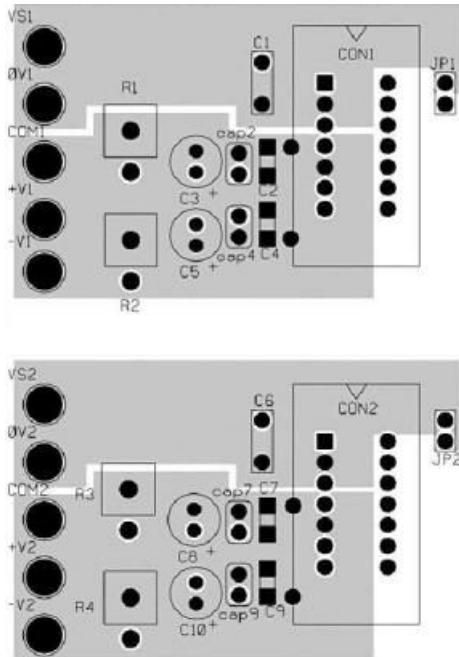


图 11-2. PCB Layout Example, Component-Side View

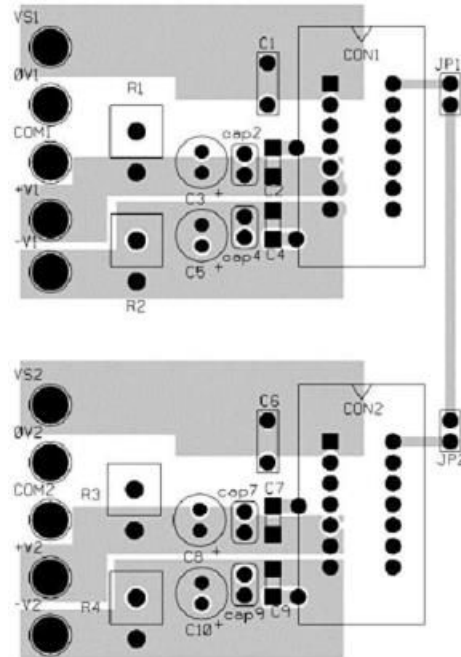


图 11-3. PCB Layout Example, Non-Component-Side View

## 12 Device and Documentation Support

### 12.1 Device Support

#### 12.1.1 Device Nomenclature

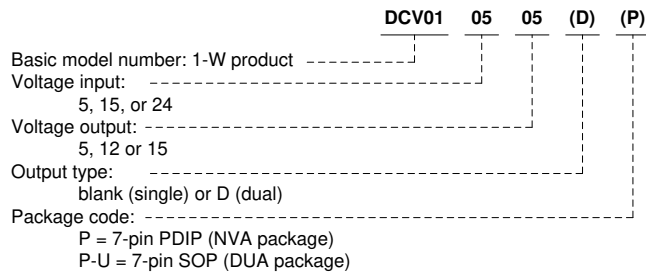


図 12-1. Supplemental Ordering Information

### 12.2 Documentation Support

#### 12.2.1 Related Documentation

For related documentation see the following:

- Texas Instruments, [External Synchronization of the DCP01/02 Series of DC/DC Converters](#) (SBAA035)
- Texas Instruments, [DC-to-DC Converter Noise Reduction](#) (SBVA012)
- Texas Instruments, [Optimizing Performance of the DCP01/02 Series of DC/DC Converters](#) (SBVA013)

### 12.3 ドキュメントの更新通知を受け取る方法

ドキュメントの更新についての通知を受け取るには、[ti.com](http://ti.com) のデバイス製品フォルダを開いてください。「更新の通知を受け取る」をクリックして登録すると、変更されたすべての製品情報に関するダイジェストを毎週受け取れます。変更の詳細については、修正されたドキュメントに含まれている改訂履歴をご覧ください。

### 12.4 サポート・リソース

TI E2E™ サポート・フォーラムは、エンジニアが検証済みの回答と設計に関するヒントをエキスパートから迅速かつ直接得ることができる場所です。既存の回答を検索したり、独自の質問をしたりすることで、設計に必要な支援を迅速に得ることができます。

リンクされているコンテンツは、該当する貢献者により、現状のまま提供されるものです。これらは TI の仕様を構成するものではなく、必ずしも TI の見解を反映したものではありません。TI の[使用条件](#)を参照してください。

### 12.5 Trademarks

Underwriters Laboratories, UL™ is a trademark of UL LLC.

TI E2E™ is a trademark of Texas Instruments.

すべての商標は、それぞれの所有者に帰属します。

### 12.6 静電気放電に関する注意事項



この IC は、ESD によって破損する可能性があります。テキサス・インスツルメンツは、IC を取り扱う際には常に適切な注意を払うことを推奨します。正しい ESD 対策をとらないと、デバイスを破損するおそれがあります。

ESD による破損は、わずかな性能低下からデバイスの完全な故障まで多岐にわたります。精密な IC の場合、パラメータがわずかに変化するだけで公表されている仕様から外れる可能性があるため、破損が発生しやすくなっています。

### 12.7 用語集

TI 用語集 この用語集には、用語や略語の一覧および定義が記載されています。

## 13 Mechanical, Packaging, and Orderable Information

The following pages include mechanical, packaging, and orderable information. This information is the most current data available for the designated devices. This data is subject to change without notice and revision of this document. For browser-based versions of this data sheet, refer to the left-hand navigation.



**PACKAGING INFORMATION**

Orderable part number	Status (1)	Material type (2)	Package   Pins	Package qty   Carrier	RoHS (3)	Lead finish/ Ball material (4)	MSL rating/ Peak reflow (5)	Op temp (°C)	Part marking (6)
<a href="#">DCV010505DP</a>	Active	Production	PDIP (NVA)   7	25   TUBE	Yes	NIPDAU	N/A for Pkg Type	-40 to 85	DCV010505DP
<a href="#">DCV010505DP-U</a>	Active	Production	SOP (DUA)   7	25   TUBE	Yes	NIPDAU	Level-3-260C-168 HR	-40 to 85	DCV010505DP-U
DCV010505DP-U.B	Active	Production	SOP (DUA)   7	25   TUBE	Yes	NIPDAU	Level-3-260C-168 HR	-40 to 85	DCV010505DP-U
DCV010505DP.B	Active	Production	PDIP (NVA)   7	25   TUBE	Yes	NIPDAU	N/A for Pkg Type	-40 to 85	DCV010505DP
<a href="#">DCV010505P</a>	Active	Production	PDIP (NVA)   7	25   TUBE	Yes	NIPDAU	N/A for Pkg Type	-40 to 85	DCV010505P
<a href="#">DCV010505P-U</a>	Active	Production	SOP (DUA)   7	25   TUBE	Yes	NIPDAU	Level-3-260C-168 HR	-40 to 85	DCV010505P-U
DCV010505P-U.B	Active	Production	SOP (DUA)   7	25   TUBE	Yes	NIPDAU	Level-3-260C-168 HR	-40 to 85	DCV010505P-U
<a href="#">DCV010505P-U/700</a>	Active	Production	SOP (DUA)   7	700   LARGE T&R	Yes	NIPDAU	Level-3-260C-168 HR	-40 to 85	DCV010505P-U
DCV010505P-U/700.B	Active	Production	SOP (DUA)   7	700   LARGE T&R	Yes	NIPDAU	Level-3-260C-168 HR	-40 to 85	DCV010505P-U
DCV010505P-UE4	Active	Production	SOP (DUA)   7	25   TUBE	Yes	NIPDAU	Level-3-260C-168 HR	-40 to 85	DCV010505P-U
DCV010505P-UE4.B	Active	Production	SOP (DUA)   7	25   TUBE	Yes	NIPDAU	Level-3-260C-168 HR	-40 to 85	DCV010505P-U
DCV010505P.B	Active	Production	PDIP (NVA)   7	25   TUBE	Yes	NIPDAU	N/A for Pkg Type	-40 to 85	DCV010505P
<a href="#">DCV010512DP</a>	Active	Production	PDIP (NVA)   7	25   TUBE	Yes	NIPDAU	N/A for Pkg Type	-40 to 85	DCV010512DP
<a href="#">DCV010512DP-U</a>	Active	Production	SOP (DUA)   7	25   TUBE	Yes	NIPDAU	Level-3-260C-168 HR	-40 to 85	DCV010512DP-U
DCV010512DP-U.B	Active	Production	SOP (DUA)   7	25   TUBE	Yes	NIPDAU	Level-3-260C-168 HR	-40 to 85	DCV010512DP-U
DCV010512DP-UE4	Active	Production	SOP (DUA)   7	25   TUBE	Yes	NIPDAU	Level-3-260C-168 HR	-40 to 85	DCV010512DP-U
DCV010512DP-UE4.B	Active	Production	SOP (DUA)   7	25   TUBE	Yes	NIPDAU	Level-3-260C-168 HR	-40 to 85	DCV010512DP-U
DCV010512DP.B	Active	Production	PDIP (NVA)   7	25   TUBE	Yes	NIPDAU	N/A for Pkg Type	-40 to 85	DCV010512DP
<a href="#">DCV010512P</a>	Active	Production	PDIP (NVA)   7	25   TUBE	Yes	NIPDAU	N/A for Pkg Type	-40 to 85	DCV010512P
<a href="#">DCV010512P-U</a>	Active	Production	SOP (DUA)   7	25   TUBE	Yes	NIPDAU	Level-3-260C-168 HR	-40 to 85	DCV010512P-U
DCV010512P-U.B	Active	Production	SOP (DUA)   7	25   TUBE	Yes	NIPDAU	Level-3-260C-168 HR	-40 to 85	DCV010512P-U
DCV010512P.B	Active	Production	PDIP (NVA)   7	25   TUBE	Yes	NIPDAU	N/A for Pkg Type	-40 to 85	DCV010512P
<a href="#">DCV010515DP</a>	Active	Production	PDIP (NVA)   7	25   TUBE	Yes	NIPDAU	N/A for Pkg Type	-40 to 85	DCV010515DP
<a href="#">DCV010515DP-U</a>	Active	Production	SOP (DUA)   7	25   TUBE	Yes	NIPDAU	Level-3-260C-168 HR	-40 to 85	DCV010515DP-U
DCV010515DP-U.B	Active	Production	SOP (DUA)   7	25   TUBE	Yes	NIPDAU	Level-3-260C-168 HR	-40 to 85	DCV010515DP-U
DCV010515DP-UE4	Active	Production	SOP (DUA)   7	25   TUBE	Yes	NIPDAU	Level-3-260C-168 HR	-40 to 85	DCV010515DP-U
DCV010515DP-UE4.B	Active	Production	SOP (DUA)   7	25   TUBE	Yes	NIPDAU	Level-3-260C-168 HR	-40 to 85	DCV010515DP-U
DCV010515DP.B	Active	Production	PDIP (NVA)   7	25   TUBE	Yes	NIPDAU	N/A for Pkg Type	-40 to 85	DCV010515DP
<a href="#">DCV010515P</a>	Active	Production	PDIP (NVA)   7	25   TUBE	Yes	NIPDAU	N/A for Pkg Type	-40 to 85	DCV010515P

Orderable part number	Status (1)	Material type (2)	Package   Pins	Package qty   Carrier	RoHS (3)	Lead finish/ Ball material (4)	MSL rating/ Peak reflow (5)	Op temp (°C)	Part marking (6)
<a href="#">DCV010515P-U</a>	Active	Production	SOP (DUA)   7	25   TUBE	Yes	NIPDAU	Level-3-260C-168 HR	-40 to 85	DCV010515P-U
DCV010515P-U.B	Active	Production	SOP (DUA)   7	25   TUBE	Yes	NIPDAU	Level-3-260C-168 HR	-40 to 85	DCV010515P-U
DCV010515P-UE4	Active	Production	SOP (DUA)   7	25   TUBE	Yes	NIPDAU	Level-3-260C-168 HR	-40 to 85	DCV010515P-U
DCV010515P-UE4.B	Active	Production	SOP (DUA)   7	25   TUBE	Yes	NIPDAU	Level-3-260C-168 HR	-40 to 85	DCV010515P-U
DCV010515P.B	Active	Production	PDIP (NVA)   7	25   TUBE	Yes	NIPDAU	N/A for Pkg Type	-40 to 85	DCV010515P
<a href="#">DCV011512DP</a>	Active	Production	PDIP (NVA)   7	25   TUBE	Yes	NIPDAU	N/A for Pkg Type	-40 to 85	DCV011512DP
<a href="#">DCV011512DP-U</a>	Active	Production	SOP (DUA)   7	25   TUBE	Yes	NIPDAU	Level-3-260C-168 HR	-40 to 85	DCV011512DP-U
DCV011512DP-U.B	Active	Production	SOP (DUA)   7	25   TUBE	Yes	NIPDAU	Level-3-260C-168 HR	-40 to 85	DCV011512DP-U
DCV011512DP-UE4	Active	Production	SOP (DUA)   7	25   TUBE	Yes	NIPDAU	Level-3-260C-168 HR	-40 to 85	DCV011512DP-U
DCV011512DP-UE4.B	Active	Production	SOP (DUA)   7	25   TUBE	Yes	NIPDAU	Level-3-260C-168 HR	-40 to 85	DCV011512DP-U
DCV011512DP.B	Active	Production	PDIP (NVA)   7	25   TUBE	Yes	NIPDAU	N/A for Pkg Type	-40 to 85	DCV011512DP
DCV011512DPE4	Active	Production	PDIP (NVA)   7	25   TUBE	Yes	NIPDAU	N/A for Pkg Type	-40 to 85	DCV011512DP
DCV011512DPE4.B	Active	Production	PDIP (NVA)   7	25   TUBE	Yes	NIPDAU	N/A for Pkg Type	-40 to 85	DCV011512DP
<a href="#">DCV011515DP</a>	Active	Production	PDIP (NVA)   7	25   TUBE	Yes	NIPDAU	N/A for Pkg Type	-40 to 85	DCV011515DP
<a href="#">DCV011515DP-U</a>	Active	Production	SOP (DUA)   7	25   TUBE	Yes	NIPDAU	Level-3-260C-168 HR	-40 to 85	DCV011515DP-U
DCV011515DP-U.B	Active	Production	SOP (DUA)   7	25   TUBE	Yes	NIPDAU	Level-3-260C-168 HR	-40 to 85	DCV011515DP-U
<a href="#">DCV011515DP-U/700</a>	Active	Production	SOP (DUA)   7	700   LARGE T&R	Yes	NIPDAU	Level-3-260C-168 HR	-40 to 85	DCV011515DP-U
DCV011515DP-U/700.B	Active	Production	SOP (DUA)   7	700   LARGE T&R	Yes	NIPDAU	Level-3-260C-168 HR	-40 to 85	DCV011515DP-U
DCV011515DP-UE4	Active	Production	SOP (DUA)   7	25   TUBE	Yes	NIPDAU	Level-3-260C-168 HR	-40 to 85	DCV011515DP-U
DCV011515DP-UE4.B	Active	Production	SOP (DUA)   7	25   TUBE	Yes	NIPDAU	Level-3-260C-168 HR	-40 to 85	DCV011515DP-U
DCV011515DP.B	Active	Production	PDIP (NVA)   7	25   TUBE	Yes	NIPDAU	N/A for Pkg Type	-40 to 85	DCV011515DP
DCV011515DPE4	Active	Production	PDIP (NVA)   7	25   TUBE	Yes	NIPDAU	N/A for Pkg Type	-40 to 85	DCV011515DP
DCV011515DPE4.B	Active	Production	PDIP (NVA)   7	25   TUBE	Yes	NIPDAU	N/A for Pkg Type	-40 to 85	DCV011515DP
<a href="#">DCV012405P</a>	Active	Production	PDIP (NVA)   7	25   TUBE	Yes	NIPDAU	N/A for Pkg Type	-40 to 85	DCV012405P
<a href="#">DCV012405P-U</a>	Active	Production	SOP (DUA)   7	25   TUBE	Yes	NIPDAU	Level-3-260C-168 HR	-40 to 85	DCV012405P-U
DCV012405P-U.B	Active	Production	SOP (DUA)   7	25   TUBE	Yes	NIPDAU	Level-3-260C-168 HR	-40 to 85	DCV012405P-U
DCV012405P.B	Active	Production	PDIP (NVA)   7	25   TUBE	Yes	NIPDAU	N/A for Pkg Type	-40 to 85	DCV012405P
<a href="#">DCV012415DP</a>	Active	Production	PDIP (NVA)   7	25   TUBE	Yes	NIPDAU	N/A for Pkg Type	-40 to 85	DCV012415DP
<a href="#">DCV012415DP-U</a>	Active	Production	SOP (DUA)   7	25   TUBE	Yes	NIPDAU	Level-3-260C-168 HR	-40 to 85	DCV012415DP-U
DCV012415DP-U.B	Active	Production	SOP (DUA)   7	25   TUBE	Yes	NIPDAU	Level-3-260C-168 HR	-40 to 85	DCV012415DP-U
<a href="#">DCV012415DP-U/700</a>	Active	Production	SOP (DUA)   7	700   LARGE T&R	Yes	NIPDAU	Level-3-260C-168 HR	-40 to 85	DCV012415DP-U

Orderable part number	Status (1)	Material type (2)	Package   Pins	Package qty   Carrier	RoHS (3)	Lead finish/ Ball material (4)	MSL rating/ Peak reflow (5)	Op temp (°C)	Part marking (6)
DCV012415DP-U/700.B	Active	Production	SOP (DUA)   7	700   LARGE T&R	Yes	NIPDAU	Level-3-260C-168 HR	-40 to 85	DCV012415DP-U
DCV012415DP-UE4	Active	Production	SOP (DUA)   7	25   TUBE	Yes	NIPDAU	Level-3-260C-168 HR	-40 to 85	DCV012415DP-U
DCV012415DP-UE4.B	Active	Production	SOP (DUA)   7	25   TUBE	Yes	NIPDAU	Level-3-260C-168 HR	-40 to 85	DCV012415DP-U
DCV012415DP.B	Active	Production	PDIP (NVA)   7	25   TUBE	Yes	NIPDAU	N/A for Pkg Type	-40 to 85	DCV012415DP

**(1) Status:** For more details on status, see our [product life cycle](#).

**(2) Material type:** When designated, preproduction parts are prototypes/experimental devices, and are not yet approved or released for full production. Testing and final process, including without limitation quality assurance, reliability performance testing, and/or process qualification, may not yet be complete, and this item is subject to further changes or possible discontinuation. If available for ordering, purchases will be subject to an additional waiver at checkout, and are intended for early internal evaluation purposes only. These items are sold without warranties of any kind.

**(3) RoHS values:** Yes, No, RoHS Exempt. See the [TI RoHS Statement](#) for additional information and value definition.

**(4) Lead finish/Ball material:** Parts may have multiple material finish options. Finish options are separated by a vertical ruled line. Lead finish/Ball material values may wrap to two lines if the finish value exceeds the maximum column width.

**(5) MSL rating/Peak reflow:** The moisture sensitivity level ratings and peak solder (reflow) temperatures. In the event that a part has multiple moisture sensitivity ratings, only the lowest level per JEDEC standards is shown. Refer to the shipping label for the actual reflow temperature that will be used to mount the part to the printed circuit board.

**(6) Part marking:** There may be an additional marking, which relates to the logo, the lot trace code information, or the environmental category of the part.

Multiple part markings will be inside parentheses. Only one part marking contained in parentheses and separated by a "-" will appear on a part. If a line is indented then it is a continuation of the previous line and the two combined represent the entire part marking for that device.

**Important Information and Disclaimer:** The information provided on this page represents TI's knowledge and belief as of the date that it is provided. TI bases its knowledge and belief on information provided by third parties, and makes no representation or warranty as to the accuracy of such information. Efforts are underway to better integrate information from third parties. TI has taken and continues to take reasonable steps to provide representative and accurate information but may not have conducted destructive testing or chemical analysis on incoming materials and chemicals. TI and TI suppliers consider certain information to be proprietary, and thus CAS numbers and other limited information may not be available for release.

In no event shall TI's liability arising out of such information exceed the total purchase price of the TI part(s) at issue in this document sold by TI to Customer on an annual basis.

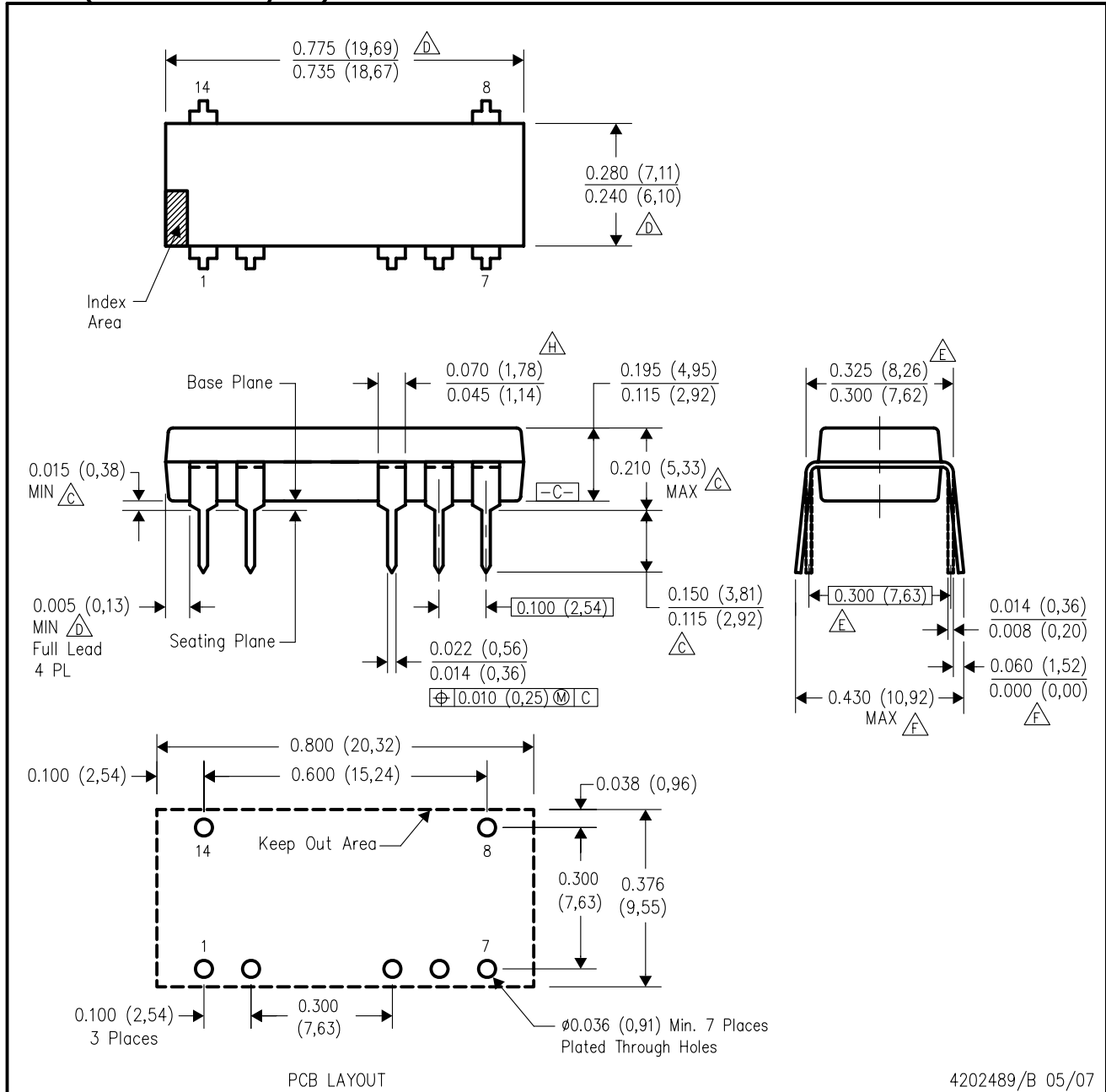
**TUBE**


\*All dimensions are nominal

Device	Package Name	Package Type	Pins	SPQ	L (mm)	W (mm)	T (μm)	B (mm)
DCV010505DP	NVA	PDIP	7	25	533.4	14.33	13.03	8.07
DCV010505DP.B	NVA	PDIP	7	25	533.4	14.33	13.03	8.07
DCV010505P	NVA	PDIP	7	25	533.4	14.33	13.03	8.07
DCV010505P.B	NVA	PDIP	7	25	533.4	14.33	13.03	8.07
DCV010512DP	NVA	PDIP	7	25	533.4	14.33	13.03	8.07
DCV010512DP.B	NVA	PDIP	7	25	533.4	14.33	13.03	8.07
DCV010512P	NVA	PDIP	7	25	533.4	14.33	13.03	8.07
DCV010512P-U	DUA	SOP	7	25	532.13	13.51	7.36	6.91
DCV010512P-U.B	DUA	SOP	7	25	532.13	13.51	7.36	6.91
DCV010512P.B	NVA	PDIP	7	25	533.4	14.33	13.03	8.07
DCV010515DP	NVA	PDIP	7	25	533.4	14.33	13.03	8.07
DCV010515DP.B	NVA	PDIP	7	25	533.4	14.33	13.03	8.07
DCV010515P	NVA	PDIP	7	25	533.4	14.33	13.03	8.07
DCV010515P.B	NVA	PDIP	7	25	533.4	14.33	13.03	8.07
DCV011512DP	NVA	PDIP	7	25	533.4	14.33	13.03	8.07
DCV011512DP.B	NVA	PDIP	7	25	533.4	14.33	13.03	8.07
DCV011512DPE4	NVA	PDIP	7	25	533.4	14.33	13.03	8.07
DCV011512DPE4.B	NVA	PDIP	7	25	533.4	14.33	13.03	8.07
DCV011515DP	NVA	PDIP	7	25	533.4	14.33	13.03	8.07
DCV011515DP.B	NVA	PDIP	7	25	533.4	14.33	13.03	8.07
DCV011515DPE4	NVA	PDIP	7	25	533.4	14.33	13.03	8.07
DCV011515DPE4.B	NVA	PDIP	7	25	533.4	14.33	13.03	8.07
DCV012405P	NVA	PDIP	7	25	533.4	14.33	13.03	8.07
DCV012405P.B	NVA	PDIP	7	25	533.4	14.33	13.03	8.07
DCV012415DP	NVA	PDIP	7	25	533.4	14.33	13.03	8.07
DCV012415DP.B	NVA	PDIP	7	25	533.4	14.33	13.03	8.07

NVA (R-PDIP-T7/14)

PLASTIC DUAL-IN-LINE

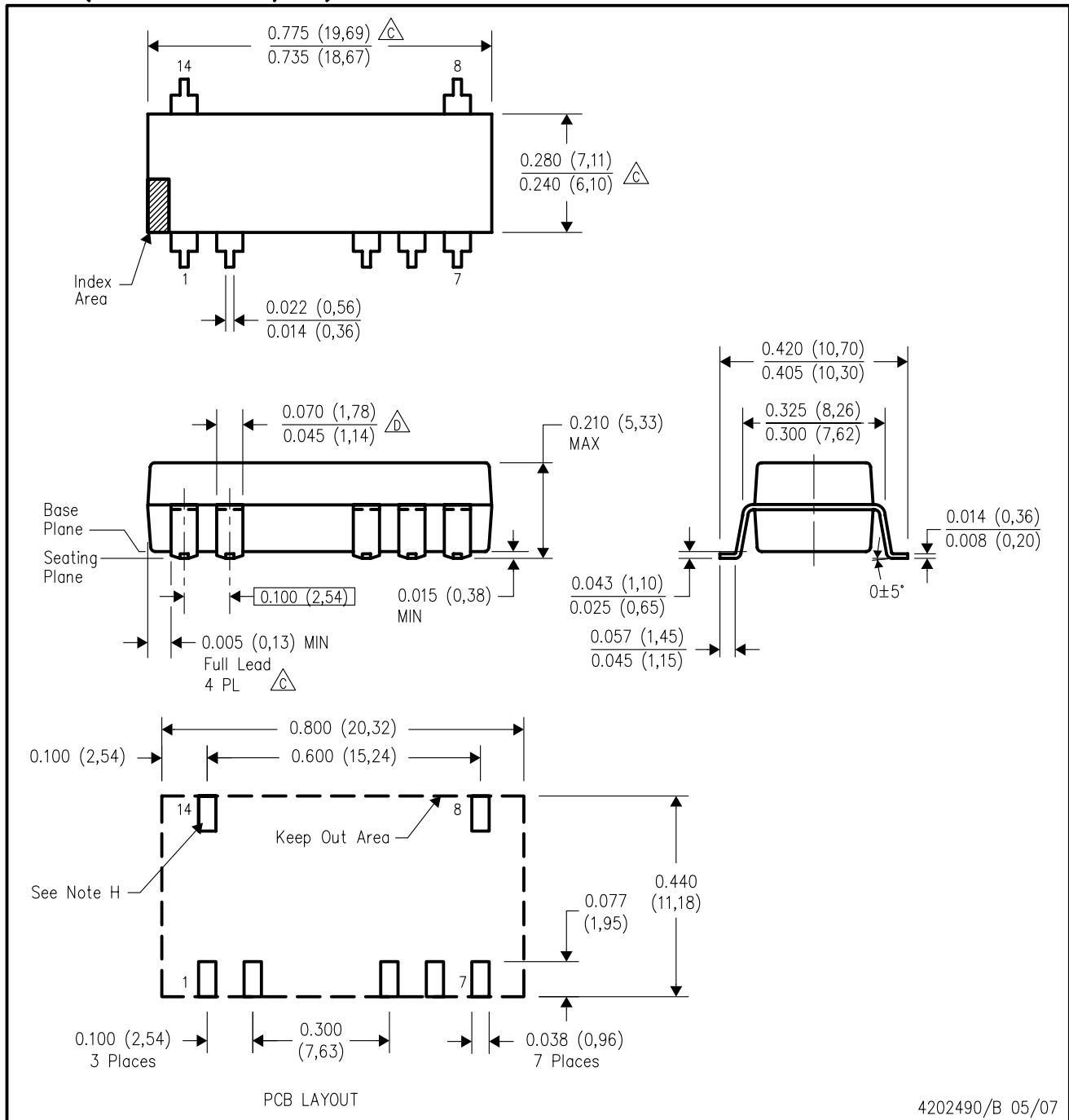


4202489/B 05/07

- NOTES:
- A. All linear dimensions are in inches (millimeters).
  - B. This drawing is subject to change without notice.
  - $\Delta$  Dimensions are measured with the package seated in JEDEC seating plane gauge GS-3.
  - $\Delta$  Dimensions do not include mold flash or protrusions. Mold flash or protrusions shall not exceed 0.010 (0,25).
  - $\Delta$  Dimensions measured with the leads constrained to be perpendicular to Datum C.
  - $\Delta$  Dimensions are measured at the lead tips with the leads unconstrained.
  - G. Pointed or rounded lead tips are preferred to ease insertion.
  - $\Delta$  Lead shoulder maximum dimension does not include dambar protrusions. Dambar protrusions shall not exceed 0.010 (0,25).
  - I. Distance between leads including dambar protrusions to be 0.005 (0,13) minimum.
  - J. A visual index feature must be located within the cross-hatched area.
  - K. For automatic insertion, any raised irregularity on the top surface (step, mesa, etc.) shall be symmetrical about the lateral and longitudinal package centerlines.
  - L. Falls within JEDEC MS-001-AA.

DUA (R-PDSO-G7/14)

PLASTIC SMALL-OUTLINE



4202490/B 05/07

- NOTES:
- A. All linear dimensions are in inches (millimeters).
  - B. This drawing is subject to change without notice.
  - C. Dimensions do not include mold flash or protrusions. Mold flash or protrusions shall not exceed 0.010 (0,25).
  - D. Lead shoulder maximum dimension does not include dambar protrusions. Dambar protrusions shall not exceed 0.010 (0,25).
  - E. Distance between leads including dambar protrusions to be 0.005 (0,13) minimum.
  - F. A visual index feature must be located within the cross-hatched area.
  - G. For automatic insertion, any raised irregularity on the top surface (step, mesa, etc.) shall be symmetrical about the lateral and longitudinal package centerlines.
  - H. Power pin connections should be two or more vias per input, ground and output pin.

## 重要なお知らせと免責事項

TI は、技術データと信頼性データ(データシートを含みます)、設計リソース(リファレンス デザインを含みます)、アプリケーションや設計に関する各種アドバイス、Web ツール、安全性情報、その他のリソースを、欠陥が存在する可能性のある「現状のまま」提供しており、商品性および特定目的に対する適合性の黙示保証、第三者の知的財産権の非侵害保証を含むいかなる保証も、明示的または黙示的にかかわらず拒否します。

これらのリソースは、TI 製品を使用する設計の経験を積んだ開発者への提供を意図したものです。(1) お客様のアプリケーションに適した TI 製品の選定、(2) お客様のアプリケーションの設計、検証、試験、(3) お客様のアプリケーションに該当する各種規格や、その他のあらゆる安全性、セキュリティ、規制、または他の要件への確実な適合に関する責任を、お客様のみが単独で負うものとし、

上記の各種リソースは、予告なく変更される可能性があります。これらのリソースは、リソースで説明されている TI 製品を使用するアプリケーションの開発の目的でのみ、TI はその使用をお客様に許諾します。これらのリソースに関して、他の目的で複製することや掲載することは禁止されています。TI や第三者の知的財産権のライセンスが付与されている訳ではありません。お客様は、これらのリソースを自身で使用した結果発生するあらゆる申し立て、損害、費用、損失、責任について、TI およびその代理人を完全に補償するものとし、TI は一切の責任を拒否します。

TI の製品は、[TI の販売条件](#)、[TI の総合的な品質ガイドライン](#)、[ti.com](#) または TI 製品などに関連して提供される他の適用条件に従い提供されます。TI がこれらのリソースを提供することは、適用される TI の保証または他の保証の放棄の拡大や変更を意味するものではありません。TI がカスタム、またはカスタマー仕様として明示的に指定していない限り、TI の製品は標準的なカタログに掲載される汎用機器です。

お客様がいかなる追加条項または代替条項を提案する場合も、TI はそれらに異議を唱え、拒否します。

Copyright © 2025, Texas Instruments Incorporated

最終更新日：2025 年 10 月