

DRV870xD-Q1 車載用ハーフ・ブリッジ・ゲート・ドライバ

1 特長

- 車載アプリケーション用にAEC-Q100認定済み
 - デバイス温度グレード 1: 動作時周囲温度
–40°C~+125°C
- 単一のハーフ・ブリッジ・ゲート・ドライバ
 - 2つの外部NチャンネルMOSFETを駆動
 - 100%のPWMデューティ・サイクルをサポート
- 5.5V ~ 45Vの電源電圧範囲で動作
- PWM制御インターフェイス
- 構成用のシリアル・インターフェイス (DRV8703D-Q1)
- スマート・ゲート・ドライブ・アーキテクチャ
 - スルー・レート制御を調整可能
- 1.8V、3.3V、および5Vのロジック入力電圧をサポート
- 電流シャント・アンプ
- PWM電流レギュレーション機能を内蔵
- 低消費電力のスリープ・モード
- 保護機能
 - 電源の低電圧誤動作防止(UVLO)
 - チャージ・ポンプの低電圧(CPUV)誤動作防止
 - 過電流保護(OCP)
 - ゲート・ドライバ・フォルト(GDF)
 - サーマル・シャットダウン(TSD)
 - ウォッチドッグ・タイマ(DRV8703D-Q1)
 - フォルト状態出力(nFAULT)

2 アプリケーション

- 燃料ポンプ
- 単方向ブラシ付きDCモータ
- リレーまたはソレノイド
- ユニポーラ負荷

3 概要

DRV870xD-Q1 デバイスは、2つの外部NチャンネルMOSFETを使用して単方向ブラシ付きDCモータ、またはソレノイド負荷を駆動できる、小型のハーフ・ブリッジ・ゲート・ドライバです。

PWMインターフェイスにより、コントローラ回路と簡単に接続できます。内蔵の検出アンプによって電流制御機能を調整できます。内蔵のチャージ・ポンプにより100%デューティ・サイクルがサポートされ、外部の逆極性バッテリー・スイッチの駆動に使用できます。独立のハーフ・ブリッジ・モードによりハーフ・ブリッジを共有し、複数のDCモータをシーケンシャルに、コスト効率の高い方法で制御できます。ゲート・ドライバには、オフ時間が固定されたPWM電流チョッピングにより巻線電流を調整するための回路が含まれています。

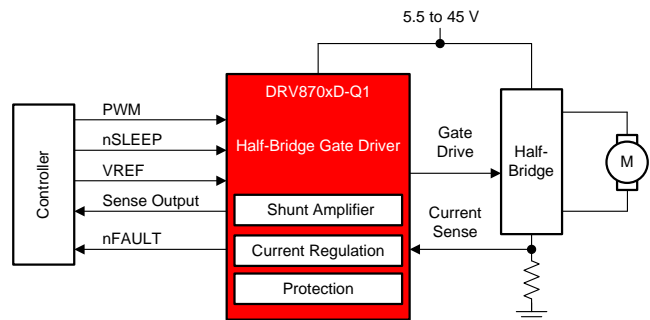
DRV870xD-Q1 デバイスにはスマート・ゲート・ドライブ・テクノロジーが含まれているため、外部のゲート部品 (抵抗やツェナー・ダイオード) を必要とせず、外部FETを保護できます。スマート・ゲート・ドライブ・アーキテクチャはデッドタイムを最適化することで貫通電流状況を回避し、プログラム可能なスルー・レート制御により電磁気干渉(EMI)を柔軟に低減し、いかなるゲート短絡状況からも保護を行えます。さらに、アクティブおよびパッシブ・プルダウンが組み込まれており、あらゆるdv/dtゲート・ターンオンを防止できます。

製品情報⁽¹⁾

型番	パッケージ	本体サイズ(公称)
DRV8702D-Q1	VQFN (32)	5.00mmx5.00mm
DRV8703D-Q1		

(1) 利用可能なすべてのパッケージについては、このデータシートの末尾にある注文情報を参照してください。

概略回路図



目次

1	特長	1	7.5	Programming	39
2	アプリケーション	1	7.6	Register Maps	41
3	概要	1	8	Application and Implementation	47
4	改訂履歴	2	8.1	Application Information	47
5	Pin Configuration and Functions	3	8.2	Typical Application	47
6	Specifications	5	9	Power Supply Recommendations	51
6.1	Absolute Maximum Ratings	5	9.1	Bulk Capacitance Sizing	51
6.2	ESD Ratings	5	10	Layout	52
6.3	Recommended Operating Conditions	6	10.1	Layout Guidelines	52
6.4	Thermal Information	6	10.2	Layout Example	52
6.5	Electrical Characteristics	6	11	デバイスおよびドキュメントのサポート	53
6.6	SPI Timing Requirements	11	11.1	ドキュメントのサポート	53
6.7	Switching Characteristics	11	11.2	関連リンク	53
6.8	Typical Characteristics	13	11.3	ドキュメントの更新通知を受け取る方法	53
7	Detailed Description	18	11.4	コミュニティ・リソース	53
7.1	Overview	18	11.5	商標	53
7.2	Functional Block Diagram	19	11.6	静電気放電に関する注意事項	53
7.3	Feature Description	21	11.7	Glossary	54
7.4	Device Functional Modes	39	12	メカニカル、パッケージ、および注文情報	54

4 改訂履歴

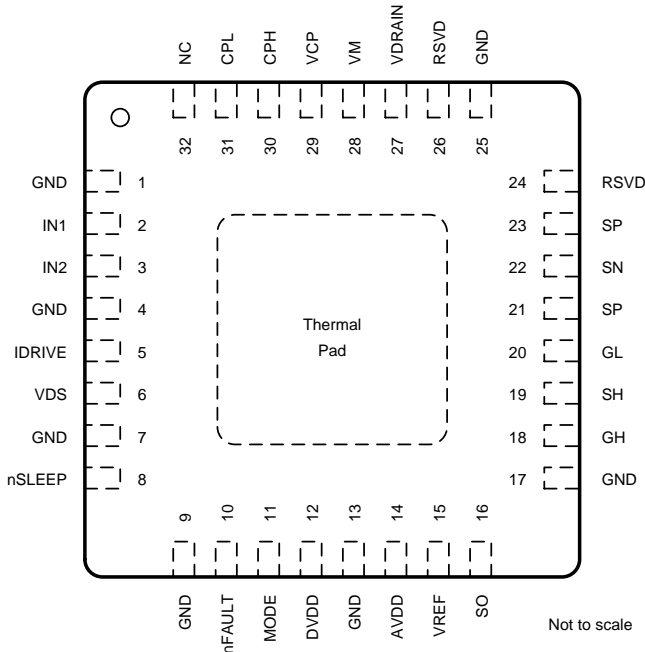
資料番号末尾の英字は改訂を表しています。その改訂履歴は英語版に準じています。

Revision A (August 2018) から Revision B に変更	Page
• 2 番目の概要を削除して表紙を変更	1
• ゲート・ドライブ電流の図 削除	1
• Deleted MODE pulldown resistance	7
• Added MODE typical pulldown resistance	7
• Added MODE typical pullup resistance	7
• 変更 Wording in <i>VDS Configuration</i> section	49

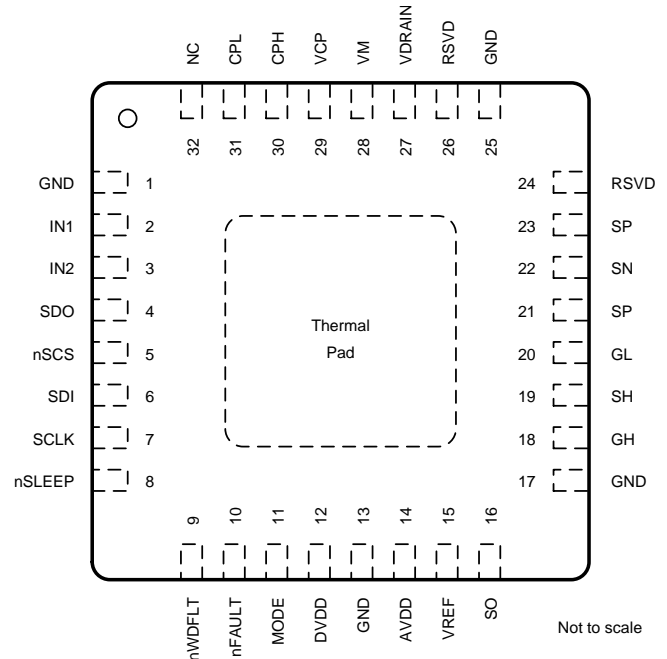
2017年3月発行のものから更新	Page
• 「特長」および「概要」セクション 変更	1
• 「概略回路図」のPWMラインからPH/ENを 削除	1
• Changed Vvref description update	6
• 変更 the $V_{DS(OC)}$ from 0.86 V to 0.96 V in the <i>OCP Threshold Voltage</i> graph	15
• 変更 the $I_{(CHOP)}$ equation in the <i>Current Regulation</i> and <i>Current Chopping Configuration</i> sections	24
• 変更 the current equation in the <i>Amplifier Output (SO)</i> section	24
• 変更 the description of the WD_EN bit in the <i>IDRIVE and WD Field Descriptions</i> table	44

5 Pin Configuration and Functions

DRV8702D-Q1 RHB Package With Wettable Flanks
32-Pin VQFN
Top View



DRV8703D-Q1 RHB Package With Wettable Flanks
32-Pin VQFN
Top View



Pin Functions

NAME	PIN		TYPE ⁽¹⁾	DESCRIPTION
	NO.			
	DRV8702D-Q1	DRV8703D-Q1		
AVDD	14	14	PWR	Analog regulator. This pin is the 5-V analog supply regulator. Bypass this pin to ground with a 6.3-V, 1- μ F ceramic capacitor.
CPH	30	30	PWR	Charge-pump switching node. Connect a 0.1- μ F X7R capacitor rated for the supply voltage (VM) between the CPH and CPL pins.
CPL	31	31	PWR	Charge-pump switching node. Connect a 0.1- μ F X7R capacitor rated for the supply voltage (VM) between the CPH and CPL pins.
DVDD	12	12	PWR	Logic regulator. This pin is the regulator for the 3.3-V logic supply. Bypass this pin to ground with a 6.3-V, 1- μ F ceramic capacitor.
GH	18	18	O	High-side gate. Connect this pin to the high-side FET gate.
GL	20	20	O	Low-side gate. Connect this pin to the low-side FET gate.
GND	1	1	PWR	Device ground. Connect this pin to the system ground.
GND	13	13	PWR	Device ground. Connect this pin to the system ground.
GND	17	17	PWR	Device ground. Connect this pin to the system ground.
GND	25	25	PWR	Device ground. Connect this pin to the system ground.
GND	4	—	PWR	Device ground. Connect this pin to the system ground.
GND	7	—	PWR	Device ground. Connect this pin to the system ground.
GND	9	—	PWR	Device ground. Connect this pin to the system ground.
IDRIVE	5	—	I	Current setting pin for the gate drive. The resistor value or voltage forced on this pin sets the gate-drive current. For more information see the IDRIVE Configuration section.
IN1	2	2	I	Input control pins. The logic of this pin is dependent on the MODE pin. This pin is connected to an internal pulldown resistor.

(1) I = input, O = output, PWR = power, NC = no connect, OD = open-drain output

Pin Functions (continued)

NAME	PIN		TYPE ⁽¹⁾	DESCRIPTION
	NO.			
	DRV8702D-Q1	DRV8703D-Q1		
IN2	3	3	I	Input control pins. The logic of this pin is dependent on the MODE pin. This pin is connected to an internal pulldown resistor.
MODE	11	11	I	Mode control pin. Pull this pin to logic high for half-bridge operation without internal current regulation. Leave this pin as no-connect for half-bridge operation with internal current regulation. Operation of this pin is latched on power up or when exiting sleep mode. This pin is connected to an internal pullup and pulldown resistor.
NC	32	32	NC	No connect. No internal connection
nFAULT	10	10	OD	Fault indication pin. This pin is pulled logic low when a fault condition occurs. This pin is an open-drain output that requires an external pullup resistor.
nSCS	—	5	I	SPI chip select. This pin is the select and enable for SPI. This pin is active low. This pin is connected to an internal pulldown resistor.
nSLEEP	8	8	I	Device sleep mode. Pull this pin to logic low to put device into a low-power sleep mode with the FETs in high impedance (Hi-Z). This pin is connected to an internal pulldown resistor.
nWDFLT	—	9	OD	Watchdog fault indication pin. This pin is pulled logic low when a watchdog fault condition occurs. This pin is an open-drain output that requires an external pullup resistor.
RSVD	26	26	RSVD	Reserved. Do not connect anything.
RSVD	24	24	RSVD	Reserved. Do not connect anything.
SCLK	—	7	I	SPI clock. This pin is for the SPI clock signal. This pin is connected to an internal pulldown resistor.
SDI	—	6	I	SPI input. This pin is for the SPI input signal. This pin is connected to an internal pulldown resistor.
SDO	—	4	OD	SPI output. This pin is for the SPI output signal. This pin is an open-drain output that requires an external pullup resistor.
SH	19	19	I	High-side source. Connect this pin to the high-side FET source.
SN	22	22	I	Shunt-amplifier negative input. Connect this pin to the current-sense resistor.
SO	16	16	O	Shunt-amplifier output. The voltage on this pin is equal to the SP voltage times A_V plus an offset. Place no more than 1 nF of capacitance on this pin.
SP	21	21	I	Shunt-amplifier positive input. Connect this pin to the current-sense resistor.
SP	23	23	I	Shunt-amplifier positive input. Connect this pin to the current-sense resistor.
VCP	29	29	PWR	Charge-pump output. Connect a 16-V, 1- μ F ceramic capacitor between this pin and the VM pin.
VDRAIN	27	27	I	High-side FET drain connection. This pin is common for the half-bridge.
VDS	6	—	I	VDS monitor setting pin. The resistor value or voltage forced on this pin sets the VDS monitor threshold. For more information see the VDS Configuration section.
VM	28	28	PWR	Power supply. Connect this pin to the motor supply voltage. Bypass this pin to ground with a 0.1- μ F ceramic plus a 10- μ F (minimum) capacitor.
VREF	15	15	I	Current set reference input. The voltage on this pin sets the driver chopping current.

6 Specifications

6.1 Absolute Maximum Ratings

over operating free-air temperature range (unless otherwise noted)⁽¹⁾

		MIN	MAX	UNIT
Power supply voltage	VM	-0.3	47	V
Charge pump voltage	VCP, CPH	-0.3	$V_{VM} + 12$	V
Charge pump negative switching pin	CPL	-0.3	V_{VM}	V
Internal logic regulator voltage	DVDD	-0.3	3.8	V
Internal analog regulator voltage	AVDD	-0.3	5.7	V
Drain pin voltage	VDRAIN	-0.3	47	V
Voltage difference between supply and VDRAIN	$VM - VDRAIN$	-10	10	V
Control pin voltage	VIN1, IN2, nSLEEP, nFAULT, VREF, IDRIVE, VDS, MODE, nSCS, SCLK, SDI, SDO, nWDFLT	-0.3	5.75	V
High-side gate pin voltage	GH	-0.3	$V_{VM} + 12$	V
Low-side gate pin voltage	GL	-0.3	12	V
Continuous phase-node pin voltage	SH	-1.2	$V_{VM} + 1.2$	V
Pulsed 10- μ s phase-node pin voltage	SH	-2	$V_{VM} + 2$	V
Continuous shunt amplifier input pin voltage	SP	-0.5	1.2	V
	SN	-0.3	0.3	V
Pulsed 10- μ s shunt amplifier input pin voltage	SP	-1	1.2	V
Shunt amplifier output pin voltage	SO	-0.3	5.75	V
Shunt amplifier output pin current	SO	0	5	mA
Maximum current, limit current with external series resistor	VDRAIN	-2	2	mA
Open-drain output current	nFAULT, SDO, nWDFLT	0	10	mA
Gate pin source current	GH, GL	0	250	mA
Gate pin sink current	GH, GL	0	500	mA
Operating junction temperature, T_J		-40	150	°C
Storage temperature, T_{stg}		-65	150	°C

(1) Stresses beyond those listed under *Absolute Maximum Ratings* may cause permanent damage to the device. These are stress ratings only, which do not imply functional operation of the device at these or any other conditions beyond those indicated under *Recommended Operating Conditions*. Exposure to absolute-maximum-rated conditions for extended periods may affect device reliability.

6.2 ESD Ratings

			VALUE	UNIT	
$V_{(ESD)}$	Electrostatic discharge	Human-body model (HBM), per AEC Q100-002 ⁽¹⁾ HBM ESD Classification Level 2	± 2000	V	
		Charged-device model (CDM), per AEC Q100-011 CDM ESD Classification Level C4B	All pins		± 500
			Corner pins (1, 8, 9, 16, 17, 24, 25, and 32)		± 750

(1) AEC Q100-002 indicates that HBM stressing shall be in accordance with the ANSI/ESDA/JEDEC JS-001 specification.

6.3 Recommended Operating Conditions

			MIN	MAX	UNIT
V_{VM}	Power supply voltage	VM	5.5	45	V
V_{CC}	Logic-level input voltage		0	5.25	V
V_{VREF}	Current Shunt Amplifier Reference Voltage	VREF	0.3 ⁽¹⁾	3.6	V
$f_{(PWM)}$	Applied PWM signal (IN1/IN2)	IN1, IN2		100	kHz
I_{AVDD}	AVDD external load current			30 ⁽²⁾	mA
I_{DVDD}	DVDD external load current			30 ⁽²⁾	mA
I_{SO}	Shunt-amplifier output-current loading	SO		5	mA
T_A	Operating ambient temperature		-40	125	°C

(1) Operational at $V_{VREF} = 0$ to approximately 0.3 V, but accuracy is degraded.

(2) Power dissipation and thermal limits must be observed.

6.4 Thermal Information

THERMAL METRIC ⁽¹⁾		DRV870xD-Q1	UNIT
		RHB (VQFN)	
		32 PINS	
$R_{\theta JA}$	Junction-to-ambient thermal resistance	32.9	°C/W
$R_{\theta JC(top)}$	Junction-to-case (top) thermal resistance	19.6	°C/W
$R_{\theta JB}$	Junction-to-board thermal resistance	6.8	°C/W
ψ_{JT}	Junction-to-top characterization parameter	0.3	°C/W
ψ_{JB}	Junction-to-board characterization parameter	6.8	°C/W
$R_{\theta JC(bot)}$	Junction-to-case (bottom) thermal resistance	1.8	°C/W

(1) For more information about traditional and new thermal metrics, see the [Semiconductor and IC Package Thermal Metrics](#) application report.

6.5 Electrical Characteristics

Over recommended operating conditions unless otherwise noted. Typical limits apply for $T_A = 25^\circ\text{C}$ and $V_{VM} = 13.5\text{ V}$

PARAMETER	TEST CONDITIONS	MIN	TYP	MAX	UNIT	
POWER SUPPLIES (VM, AVDD, DVDD)						
V_{VM}	VM operating voltage	Gate drivers functional	5.5	45	V	
		Logic functional	4.5	45		
I_{VM}	VM operating supply current	$V_{VM} = 13.5\text{ V}; n\text{SLEEP}=1$	5.5	7.5	12	mA
$I_{(SLEEP)}$	VM sleep mode supply current	$n\text{SLEEP} = 0, V_{VM} = 13.5\text{ V}, T_A = 25^\circ\text{C}$			14	μA
		$n\text{SLEEP} = 0, V_{VM} = 13.5\text{ V}, T_A = 125^\circ\text{C}^{(1)}$			25	
V_{DVDD}	Internal logic regulator voltage	2-mA load	3	3.3	3.5	V
		30-mA load, $V_{VM} = 13.5\text{ V}$	2.9	3.2	3.5	
V_{AVDD}	Internal logic regulator voltage	2-mA load	4.7	5	5.3	V
		30-mA load, $V_{VM} = 13.5\text{ V}$	4.6	5	5.3	
CHARGE PUMP (VCP, CPH, CPL)						
V_{VCP}	VCP operating voltage	$V_{VM} = 13.5\text{ V}; I_{VCP} = 0\text{ to }12\text{ mA}$	22.5	23.5	24.5	V
		$V_{VM} = 8\text{ V}; I_{VCP} = 0\text{ to }10\text{ mA}$	13.7	14	14.8	
		$V_{VM} = 5.5\text{ V}; I_{VCP} = 0\text{ to }8\text{ mA}$	8.9	9.1	9.5	
I_{VCP}	Charge-pump current capacity	$V_{VM} > 13.5\text{ V}$	12			mA
		$8\text{ V} < V_{VM} < 13.5\text{ V}$	10			
		$5.5\text{ V} < V_{VM} < 8\text{ V}$	8			
CONTROL INPUTS (IN1, IN2, nSLEEP, MODE, nSCS, SCLK, SDI)						
V_{IL}	Input logic-low voltage		0	0.8	V	
V_{IH}	Input logic-high voltage		1.5	5.25	V	

(1) Ensured by design and characterization data.

Electrical Characteristics (continued)

Over recommended operating conditions unless otherwise noted. Typical limits apply for $T_A = 25^\circ\text{C}$ and $V_{VM} = 13.5\text{ V}$

PARAMETER		TEST CONDITIONS	MIN	TYP	MAX	UNIT
V_{hys}	Input logic hysteresis		100			mV
I_{IL}	Input logic-low current	$V_{IN} = 0\text{ V}$	-5		5	μA
I_{IH}	Input logic-high current	$V_{IN} = 5\text{ V}$			70	μA
R_{PD}	Pulldown resistance	IN1, IN2, nSLEEP, nSCS, SCLK, SDI	64	100	173	$\text{k}\Omega$
R_{PD}	Pulldown resistance	MODE		65		$\text{k}\Omega$
R_{PU}	Pullup resistance	MODE		26		$\text{k}\Omega$
CONTROL OUTPUTS (nFAULT, WDFault, SDO)						
V_{OL}	Output logic-low voltage	$I_O = 2\text{ mA}$			0.1	V
I_{OZ}	Output high-impedance leakage	5V pullup voltage	-2		2	μA
FET GATE DRIVERS (GH1, GH2, SH1, SH2, GL1, GL2)						
V_{GSH}	High-side V_{GS} gate drive (gate-to-source)	$V_{VM} > 13.5\text{ V}$; V_{GSH} with respect to SH		10.5	11.5	V
		$V_{VM} = 8\text{ V}$; V_{GSH} with respect to SH		5.7	6.8	
		$V_{VM} = 5.5\text{ V}$; V_{GSH} with respect to SH		3.4	4	
V_{GSL}	Low-side V_{GS} gate drive (gate-to-source)	$V_{VM} > 10.5\text{ V}$		10.5		V
		$V_{VM} < 10.5\text{ V}$		$V_{VM} - 2$		
$I_{DRIVE(SRC_HS)}$	High-side peak source current ($V_{VM} = 5.5\text{V}$)	$R_{(IDRIVE)} < 1\text{ k}\Omega$ to GND (DRV8702D) or IDRIVE = 3'b000 (DRV8703D)		10		mA
		$R_{(IDRIVE)} = 33\text{ k}\Omega$ to GND (DRV8702D) or IDRIVE = 3'b001 (DRV8703D)		20		
		$R_{(IDRIVE)} = 200\text{ k}\Omega$ to GND (DRV8702D) or IDRIVE = 3'b010 (DRV8703D)		50		
		IDRIVE = 3'b011 (DRV8703D)		70		
		IDRIVE = 3'b100 (DRV8703D)		100		
		$R_{(IDRIVE)} > 2\text{ M}\Omega$ to GND (DRV8702D) or IDRIVE = 3'b101 (DRV8703D)		145		
		$R_{(IDRIVE)} = 68\text{ k}\Omega$ to AVDD (DRV8702D) or IDRIVE = 3'b110 (DRV8703D)		190		
$R_{(IDRIVE)} = 1\text{ k}\Omega$ to AVDD (DRV8702D) or IDRIVE = 3'b111 (DRV8703D)		240				
$I_{DRIVE(SNK_HS)}$	High-side peak sink current ($V_{VM} = 5.5\text{V}$)	$R_{(IDRIVE)} < 1\text{ k}\Omega$ to GND (DRV8702D) or IDRIVE = 3'b000 (DRV8703D)		20		mA
		$R_{(IDRIVE)} = 33\text{ k}\Omega$ to GND (DRV8702D) or IDRIVE = 3'b001 (DRV8703D)		40		
		$R_{(IDRIVE)} = 200\text{ k}\Omega$ to GND (DRV8702D) or IDRIVE = 3'b010 (DRV8703D)		90		
		IDRIVE = 3'b011 (DRV8703D)		120		
		IDRIVE = 3'b100 (DRV8703D)		170		
		$R_{(IDRIVE)} > 2\text{ M}\Omega$ to GND (DRV8702D) or IDRIVE = 3'b101 (DRV8703D)		250		
		$R_{(IDRIVE)} = 68\text{ k}\Omega$ to AVDD (DRV8702D) or IDRIVE = 3'b110 (DRV8703D)		330		
$R_{(IDRIVE)} = 1\text{ k}\Omega$ to AVDD (DRV8702D) or IDRIVE = 3'b111 (DRV8703D)		420				

Electrical Characteristics (continued)

 Over recommended operating conditions unless otherwise noted. Typical limits apply for $T_A = 25^\circ\text{C}$ and $V_{VM} = 13.5\text{ V}$

PARAMETER		TEST CONDITIONS	MIN	TYP	MAX	UNIT
$I_{\text{DRIVE(SRC_LS)}}$	Low-side peak source current ($V_{VM} = 5.5\text{V}$)	$R_{(\text{IDRIVE})} < 1\text{ k}\Omega$ to GND (DRV8702D) or $\text{IDRIVE} = 3'b000$ (DRV8703D)		10		mA
		$R_{(\text{IDRIVE})} = 33\text{ k}\Omega$ to GND (DRV8702D) or $\text{IDRIVE} = 3'b001$ (DRV8703D)		20		
		$R_{(\text{IDRIVE})} = 200\text{ k}\Omega$ to GND (DRV8702D) or $\text{IDRIVE} = 3'b010$ (DRV8703D)		40		
		$\text{IDRIVE} = 3'b011$ (DRV8703D)		55		
		$\text{IDRIVE} = 3'b100$ (DRV8703D)		75		
		$R_{(\text{IDRIVE})} > 2\text{ M}\Omega$ to GND (DRV8702D) or $\text{IDRIVE} = 3'b101$ (DRV8703D)		115		
		$R_{(\text{IDRIVE})} = 68\text{ k}\Omega$ to AVDD (DRV8702D) or $\text{IDRIVE} = 3'b110$ (DRV8703D)		145		
		$R_{(\text{IDRIVE})} = 1\text{ k}\Omega$ to AVDD (DRV8702D) or $\text{IDRIVE} = 3'b111$ (DRV8703D)		190		
$I_{\text{DRIVE(SNK_LS)}}$	Low-side peak sink current ($V_{VM} = 5.5\text{V}$)	$R_{(\text{IDRIVE})} < 1\text{ k}\Omega$ to GND (DRV8702D) or $\text{IDRIVE} = 3'b000$ (DRV8703D)		20		mA
		$R_{(\text{IDRIVE})} = 33\text{ k}\Omega$ to GND (DRV8702D) or $\text{IDRIVE} = 3'b001$ (DRV8703D)		40		
		$R_{(\text{IDRIVE})} = 200\text{ k}\Omega$ to GND (DRV8702D) or $\text{IDRIVE} = 3'b010$ (DRV8703D)		85		
		$\text{IDRIVE} = 3'b011$ (DRV8703D)		115		
		$\text{IDRIVE} = 3'b100$ (DRV8703D)		160		
		$R_{(\text{IDRIVE})} > 2\text{ M}\Omega$ to GND (DRV8702D) or $\text{IDRIVE} = 3'b101$ (DRV8703D)		235		
		$R_{(\text{IDRIVE})} = 68\text{ k}\Omega$ to AVDD (DRV8702D) or $\text{IDRIVE} = 3'b110$ (DRV8703D)		300		
		$R_{(\text{IDRIVE})} = 1\text{ k}\Omega$ to AVDD (DRV8702D) or $\text{IDRIVE} = 3'b111$ (DRV8703D)		360		
$I_{\text{DRIVE(SRC_HS)}}$	High-side peak source current ($V_{VM} = 13.5\text{V}$)	$R_{(\text{IDRIVE})} < 1\text{ k}\Omega$ to GND (DRV8702D) or $\text{IDRIVE} = 3'b000$ (DRV8703D)		10		mA
		$R_{(\text{IDRIVE})} = 33\text{ k}\Omega$ to GND (DRV8702D) or $\text{IDRIVE} = 3'b001$ (DRV8703D)		20		
		$R_{(\text{IDRIVE})} = 200\text{ k}\Omega$ to GND (DRV8702D) or $\text{IDRIVE} = 3'b010$ (DRV8703D)		50		
		$\text{IDRIVE} = 3'b011$ (DRV8703D)		70		
		$\text{IDRIVE} = 3'b100$ (DRV8703D)		105		
		$R_{(\text{IDRIVE})} > 2\text{ M}\Omega$ to GND (DRV8702D) or $\text{IDRIVE} = 3'b101$ (DRV8703D)		155		
		$R_{(\text{IDRIVE})} = 68\text{ k}\Omega$ to AVDD (DRV8702D) or $\text{IDRIVE} = 3'b110$ (DRV8703D)		210		
		$R_{(\text{IDRIVE})} = 1\text{ k}\Omega$ to AVDD (DRV8702D) or $\text{IDRIVE} = 3'b111$ (DRV8703D)		260		

Electrical Characteristics (continued)

Over recommended operating conditions unless otherwise noted. Typical limits apply for $T_A = 25^\circ\text{C}$ and $V_{VM} = 13.5\text{ V}$

PARAMETER		TEST CONDITIONS	MIN	TYP	MAX	UNIT
$I_{\text{DRIVE(SNK_HS)}}$	High-side peak sink current ($V_{VM} = 13.5\text{V}$)	$R_{(\text{IDRIVE})} < 1\text{ k}\Omega$ to GND (DRV8702D) or $\text{IDRIVE} = 3'b000$ (DRV8703D)		20		mA
		$R_{(\text{IDRIVE})} = 33\text{ k}\Omega$ to GND (DRV8702D) or $\text{IDRIVE} = 3'b001$ (DRV8703D)		40		
		$R_{(\text{IDRIVE})} = 200\text{ k}\Omega$ to GND (DRV8702D) or $\text{IDRIVE} = 3'b010$ (DRV8703D)		95		
		$\text{IDRIVE} = 3'b011$ (DRV8703D)		130		
		$\text{IDRIVE} = 3'b100$ (DRV8703D)		185		
		$R_{(\text{IDRIVE})} > 2\text{ M}\Omega$ to GND (DRV8702D) or $\text{IDRIVE} = 3'b101$ (DRV8703D)		265		
		$R_{(\text{IDRIVE})} = 68\text{ k}\Omega$ to AVDD (DRV8702D) or $\text{IDRIVE} = 3'b110$ (DRV8703D)		350		
		$R_{(\text{IDRIVE})} = 1\text{ k}\Omega$ to AVDD (DRV8702D) or $\text{IDRIVE} = 3'b111$ (DRV8703D)		440		
$I_{\text{DRIVE(SRC_LS)}}$	Low-side peak source current ($V_{VM} = 13.5\text{V}$)	$R_{(\text{IDRIVE})} < 1\text{ k}\Omega$ to GND (DRV8702D) or $\text{IDRIVE} = 3'b000$ (DRV8703D)		10		mA
		$R_{(\text{IDRIVE})} = 33\text{ k}\Omega$ to GND (DRV8702D) or $\text{IDRIVE} = 3'b001$ (DRV8703D)		20		
		$R_{(\text{IDRIVE})} = 200\text{ k}\Omega$ to GND (DRV8702D) or $\text{IDRIVE} = 3'b010$ (DRV8703D)		45		
		$\text{IDRIVE} = 3'b011$ (DRV8703D)		60		
		$\text{IDRIVE} = 3'b100$ (DRV8703D)		90		
		$R_{(\text{IDRIVE})} > 2\text{ M}\Omega$ to GND (DRV8702D) or $\text{IDRIVE} = 3'b101$ (DRV8703D)		130		
		$R_{(\text{IDRIVE})} = 68\text{ k}\Omega$ to AVDD (DRV8702D) or $\text{IDRIVE} = 3'b110$ (DRV8703D)		180		
		$R_{(\text{IDRIVE})} = 1\text{ k}\Omega$ to AVDD (DRV8702D) or $\text{IDRIVE} = 3'b111$ (DRV8703D)		225		
$I_{\text{DRIVE(SNK_LS)}}$	Low-side peak sink current ($V_{VM} = 13.5\text{V}$)	$R_{(\text{IDRIVE})} < 1\text{ k}\Omega$ to GND (DRV8702D) or $\text{IDRIVE} = 3'b000$ (DRV8703D)		20		mA
		$R_{(\text{IDRIVE})} = 33\text{ k}\Omega$ to GND (DRV8702D) or $\text{IDRIVE} = 3'b001$ (DRV8703D)		40		
		$R_{(\text{IDRIVE})} = 200\text{ k}\Omega$ to GND (DRV8702D) or $\text{IDRIVE} = 3'b010$ (DRV8703D)		95		
		$\text{IDRIVE} = 3'b011$ (DRV8703D)		125		
		$\text{IDRIVE} = 3'b100$ (DRV8703D)		180		
		$R_{(\text{IDRIVE})} > 2\text{ M}\Omega$ to GND (DRV8702D) or $\text{IDRIVE} = 3'b101$ (DRV8703D)		260		
		$R_{(\text{IDRIVE})} = 68\text{ k}\Omega$ to AVDD (DRV8702D) or $\text{IDRIVE} = 3'b110$ (DRV8703D)		350		
		$R_{(\text{IDRIVE})} = 1\text{ k}\Omega$ to AVDD (DRV8702D) or $\text{IDRIVE} = 3'b111$ (DRV8703D)		430		
I_{HOLD}	FET holding current	Source current after t_{DRIVE}		10		mA
		Sink current after t_{DRIVE}		40		
I_{STRONG}	FET holdoff strong pulldown	GH		750		mA
		GL		1000		
$R_{(\text{OFF})}$	FET gate holdoff resistor	Pulldown GH to SH		150		k Ω
		Pulldown GL to GND		150		
CURRENT SHUNT AMPLIFIER AND PWM CURRENT CONTROL (SP, SN, SO, VREF)						
V_{VREF}	VREF input rms voltage	For current internal chopping		0.3 ⁽²⁾	3.6	V

(2) Operational at $V_{\text{VREF}} = 0$ to approximately 0.3 V, but accuracy is degraded.

Electrical Characteristics (continued)

 Over recommended operating conditions unless otherwise noted. Typical limits apply for $T_A = 25^\circ\text{C}$ and $V_{VM} = 13.5\text{ V}$

PARAMETER		TEST CONDITIONS	MIN	TYP	MAX	UNIT
R_{VREF}	VREF input impedance	DRV8702D and DRV8703D VREF_SCL = 00 (100%)	1			M Ω
		DRV8703D VREF_SCL = 2'b01, 2'b10 or 2'b11		175		k Ω
A_V	Amplifier gain (DRV8702D-Q1)	$60 < V_{SP} < 225\text{ mV}$; $V_{SN} = \text{GND}$	19.3	19.8	20.3	V/V
A_V	Amplifier gain (DRV8703D-Q1)	GAIN_CS = 00; $10 < V_{SP} < 450\text{ mV}$; $V_{SN} = \text{GND}$	9.75	10	10.25	V/V
		GAIN_CS = 01; $60 < V_{SP} < 225\text{ mV}$; $V_{SN} = \text{GND}$	19.3	19.8	20.3	
		GAIN_CS = 10; $10 < V_{SP} < 112\text{ mV}$; $V_{SN} = \text{GND}$	38.4	39.4	40.4	
		GAIN_CS = 11; $10 < V_{SP} < 56\text{ mV}$; $V_{SN} = \text{GND}$	73	78	81	
V_{IO}	Input-referred offset	$V_{SP} = V_{SN} = \text{GND}$		5	10	mV
$V_{IO(DRIFT)}$	Drift offset ⁽²⁾	$V_{SP} = V_{SN} = \text{GND}$		10		$\mu\text{V}/^\circ\text{C}$
I_{SP}	SP input current	$V_{SP} = 100\text{ mV}$; $V_{SN} = \text{GND}$		-20		μA
V_{SO}	SO pin output voltage range		$A_V \times V_{IO}$		4.5	V
$C_{(SO)}$	Allowable SO pin capacitance				1	nF
PROTECTION CIRCUITS						
$V_{(UVLO2)}$	VM undervoltage lockout	VM falling; UVLO2 report		5.25	5.45	V
		VM rising; UVLO2 recovery		5.4	5.65	
$V_{(UVLO1)}$	Logic undervoltage lockout				4.5	V
$V_{hys(UVLO)}$	VM undervoltage hysteresis	Rising to falling threshold	100			mV
$V_{(CP_UV)}$	Charge pump undervoltage	VCP falling; CPUV report		$V_{VM} + 1.5$		V
		VCP rising; CPUV recovery		$V_{VM} + 1.55$		
$V_{hys(CP_UV)}$	CP undervoltage hysteresis	Rising to falling threshold		50		mV
$V_{DS(OCF)}$	Overcurrent protection trip level, V_{DS} of each external FET (DRV8702D-Q1) High side FETs: VDRAIN – SH Low side FETs: SH – SP	$R_{(VDS)} < 1\text{ k}\Omega$ to GND		0.06		V
		$R_{(VDS)} = 33\text{ k}\Omega$ to GND		0.12		
		$R_{(VDS)} = 200\text{ k}\Omega$ to GND		0.24		
		$R_{(VDS)} > 2\text{ M}\Omega$ to GND		0.48		
		$R_{(VDS)} = 68\text{ k}\Omega$ to AVDD		0.96		
		$R_{(VDS)} < 1\text{ k}\Omega$ to AVDD		Disabled		
$V_{DS(OCF)}$	Overcurrent protection trip level, V_{DS} of each external FET (DRV8703D-Q1) High-side FETs: VDRAIN – SH Low-side FETs: SH – SP	VDS_LEVEL = 3'b000		0.06		V
		VDS_LEVEL = 3'b001		0.145		
		VDS_LEVEL = 3'b010		0.17		
		VDS_LEVEL = 3'b011		0.2		
		VDS_LEVEL = 3'b100		0.12		
		VDS_LEVEL = 3'b101		0.24		
		VDS_LEVEL = 3'b110		0.48		
		VDS_LEVEL = 3'b111		0.96		
$V_{SP(OCF)}$	Overcurrent protection trip level, measured by sense amplifier	V_{SP} with respect to GND	0.8	1	1.2	V
$T_{(OTW)}$	Thermal warning temperature ⁽¹⁾	Die temperature T_J	120	135	145	$^\circ\text{C}$
T_{SD}	Thermal shutdown temperature ⁽¹⁾	Die temperature T_J	150			$^\circ\text{C}$
T_{hys}	Thermal shutdown hysteresis ⁽¹⁾	Die temperature T_J		20		$^\circ\text{C}$
$V_{C(GS)}$	Gate-drive clamping voltage	Positive clamping voltage	16.3	17	17.8	V
		Negative clamping voltage	-1	-0.7	-0.5	

6.6 SPI Timing Requirements

		MIN	NOM	MAX	UNIT
$t_{(CLK)}$	Minimum SPI clock period	100			ns
$t_{(CLKH)}$	Clock high time	50			ns
$t_{(CLKL)}$	Clock low time	50			ns
$t_{(SU_SDI)}$	SDI input data setup time	20			ns
$t_{(HD_SDI)}$	SDI input data hold time	30			ns
$t_{(HD_SDO)}$	SDO output hold time	40			ns
$t_{(SU_SCS)}$	SCS setup time	50			ns
$t_{(HD_SCS)}$	SCS hold time	50			ns
$t_{(HL_SCS)}$	SCS minimum high time before SCS active low	400			ns

6.7 Switching Characteristics

Over recommended operating conditions unless otherwise noted

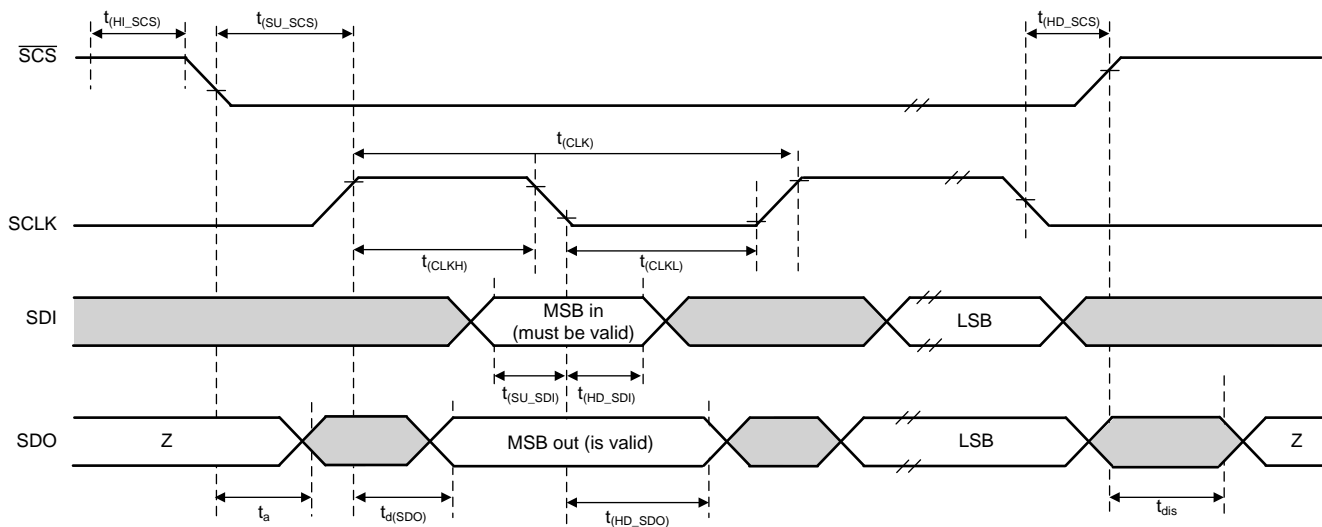
PARAMETER	TEST CONDITIONS	MIN	TYP	MAX	UNIT			
POWER SUPPLIES (VM, AVDD, DVDD)								
$t_{(SLEEP)}$	Sleep time	nSLEEP = low to sleep mode			100	μ s		
$t_{(wu)}$	Wake-up time	nSLEEP = high to output change			1	ms		
t_{on}	Turn on time	VM > UVLO2 to output transition			1	ms		
CHARGE PUMP (VCP, CPH, CPL)								
$f_{S(VCP)}$	Charge-pump switching frequency	VM > UVLO2			200	400	700	kHz
CONTROL INPUTS (IN1, IN2, nSLEEP, MODE, nSCS, SCLK, SDI, PH, EN)								
t_{pd}	Propagation delay	removed PH and EN pins IN1, IN2 to GH or GL			500		ns	
FET GATE DRIVERS (GH1, GH2, SH1, SH2, GL1, GL2)								
$t_{(DEAD)}$	Output dead time (DRV8702D-Q1)	Observed $t_{(DEAD)}$ depends on IDRIVE setting			240		ns	
$t_{(DEAD)}$	Output dead time (DRV8703D-Q1)	TDEAD = 2'b00; Observed $t_{(DEAD)}$ depends on IDRIVE setting			120	ns		
		TDEAD = 2'b01; Observed $t_{(DEAD)}$ depends on IDRIVE setting			240			
		TDEAD = 2'b10; Observed $t_{(DEAD)}$ depends on IDRIVE setting			480			
		TDEAD = 2'b11; Observed $t_{(DEAD)}$ depends on IDRIVE setting			960			
$t_{(DRIVE)}$	Gate drive time				2.5		μ s	
CURRENT SHUNT AMPLIFIER AND PWM CURRENT CONTROL (SP, SN, SO, VREF)								
t_S	Settling time to $\pm 1\%$ ⁽¹⁾	$V_{SP} = V_{SN} = GND$ to $V_{SP} = 240$ mV, $V_{SN} = GND$, $A_V = 10$; $C_{(SO)} = 200$ pF			0.5	μ s		
		$V_{SP} = V_{SN} = GND$ to $V_{SP} = 120$ mV, $V_{SN} = GND$, $A_V = 20$; $C_{(SO)} = 200$ pF			1			
		$V_{SP} = V_{SN} = GND$ to $V_{SP} = 60$ mV, $V_{SN} = GND$, $A_V = 40$; $C_{(SO)} = 200$ pF			2			
		$V_{SP} = V_{SN} = GND$ to $V_{SP} = 30$ mV, $V_{SN} = GND$, $A_V = 80$; $C_{(SO)} = 200$ pF			4			
t_{off}	PWM off-time (DRV8702D-Q1)				25		μ s	
t_{off}	PWM off-time (DRV8703D-Q1)	TOFF = 00			25	μ s		
		TOFF = 01			50			
		TOFF = 10			100			
		TOFF = 11			200			
$t_{(BLANK)}$	PWM blanking time				2		μ s	

(1) Ensured by design

Switching Characteristics (continued)

Over recommended operating conditions unless otherwise noted

PARAMETER	TEST CONDITIONS	MIN	TYP	MAX	UNIT
PROTECTION CIRCUITS					
$t_{(UVLO)}$	VM UVLO falling deglitch time		10		μs
$t_{(OCP)}$	Overcurrent deglitch time	3.7	4	4.3	μs
$t_{(RETRY)}$	Overcurrent retry time	2.8	3	3.2	ms
$t_{(WD)}$	Watchdog time out (DRV8703D-Q1)	WD_DLY = 2'b00	10		ms
		WD_DLY = 2'b01	20		
		WD_DLY = 2'b10	50		
		WD_DLY = 2'b11	100		
$t_{(RESET)}$	Watchdog timer reset period		64		μs
SPI					
$t_{(SPI_READY)}$	SPI read after power on	VM > VUVLO1	5	10	ms
$t_{d(SDO)}$	SDO output data delay time, CLK high to SDO valid	$C_L = 20 \text{ pF}$		30	ns
t_a	SCS access time, SCS low to SDO out of high impedance		10		ns
t_{dis}	SCS disable time, SCS high to SDO high impedance		10		ns



1. SPI Slave Mode Timing Definition

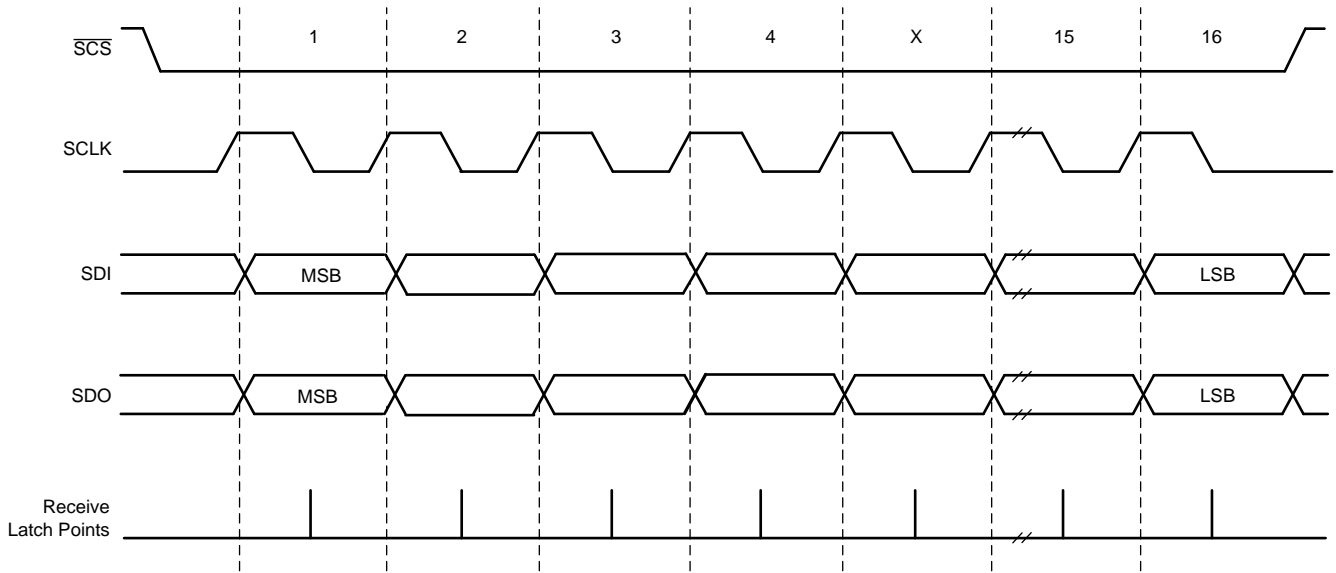


FIG 2. SPI Slave Mode Timing Diagram

6.8 Typical Characteristics

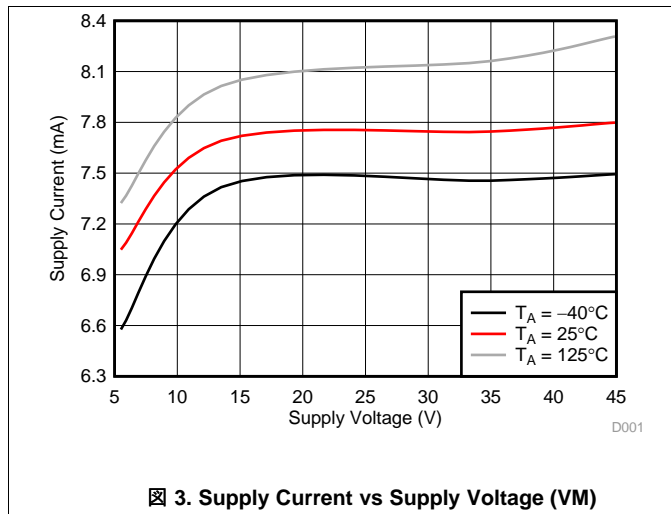


FIG 3. Supply Current vs Supply Voltage (VM)

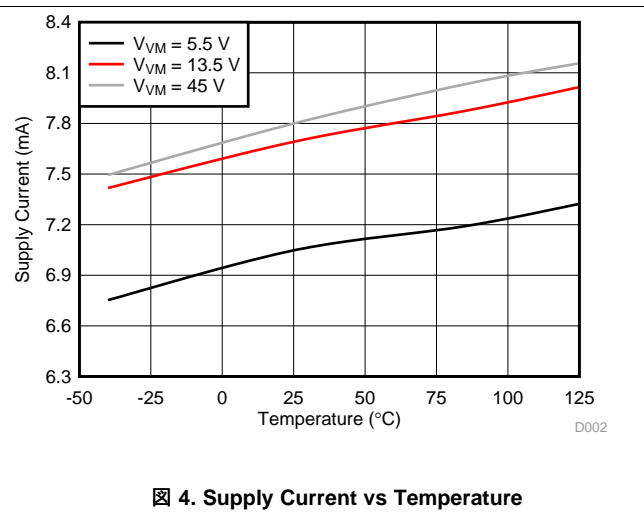


FIG 4. Supply Current vs Temperature

Typical Characteristics (continued)

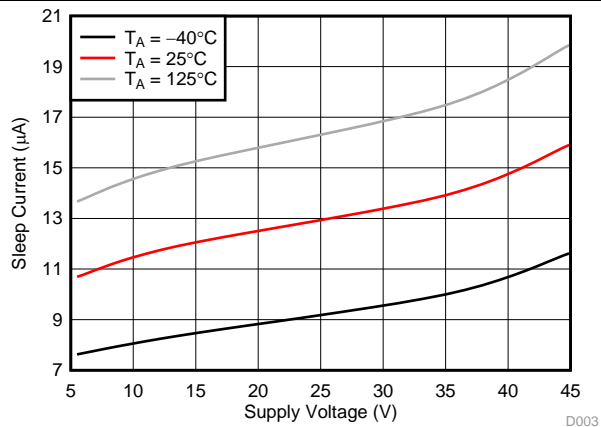


Figure 5. Sleep Current vs Supply Voltage (VM)

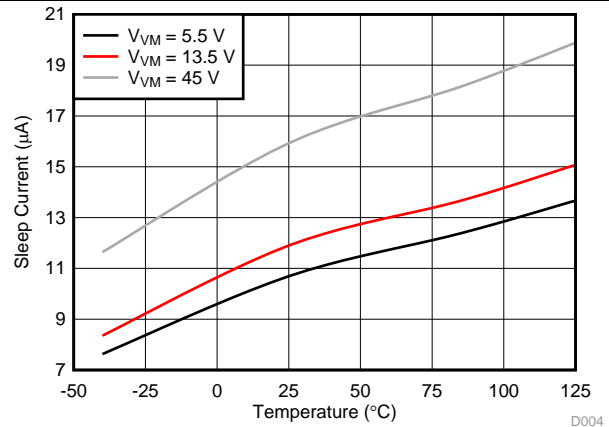


Figure 6. Sleep Current vs Temperature

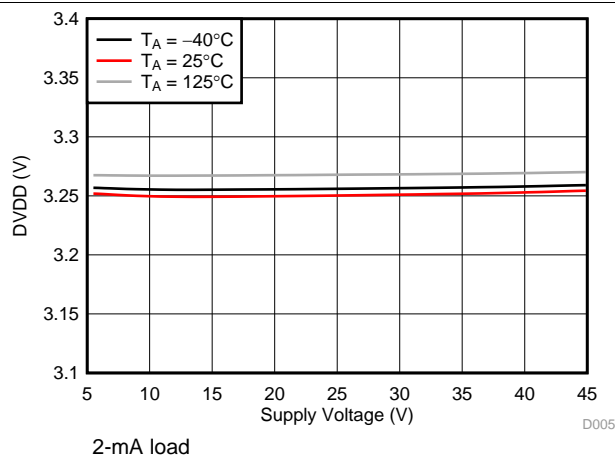


Figure 7. DVDD Regulator

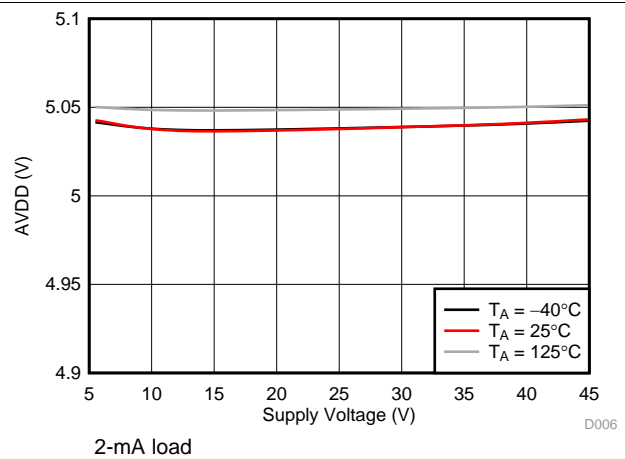


Figure 8. AVDD Regulator

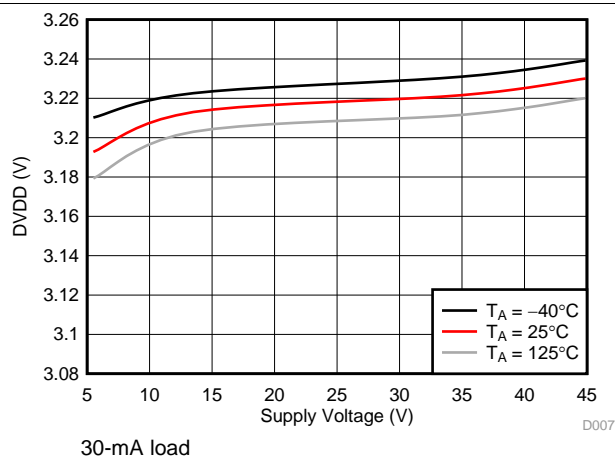


Figure 9. DVDD Regulator

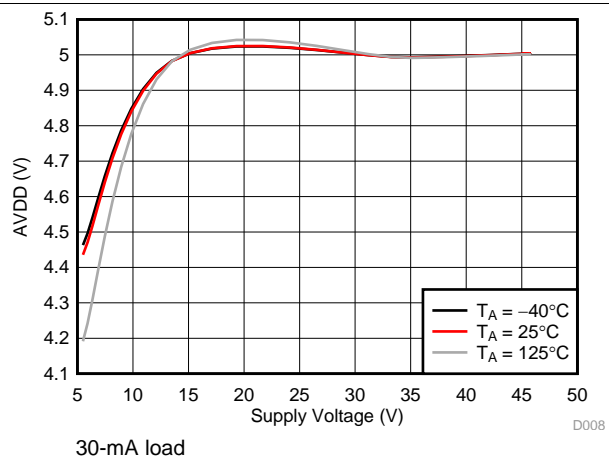
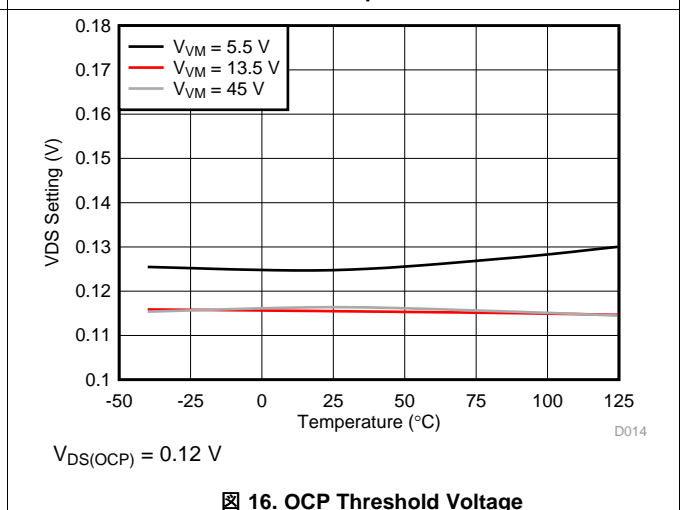
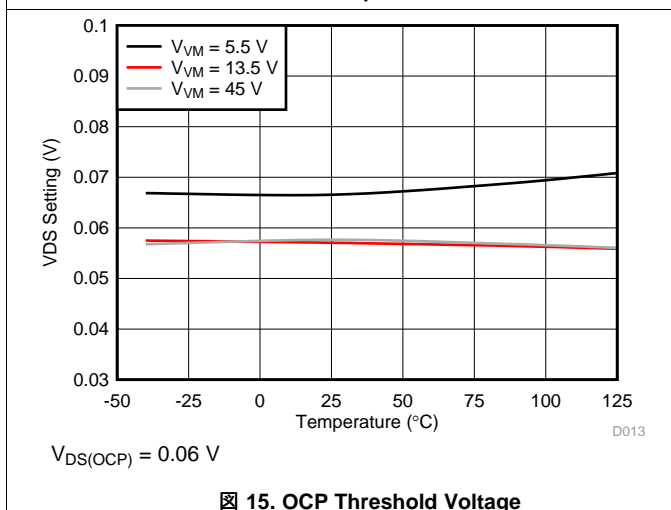
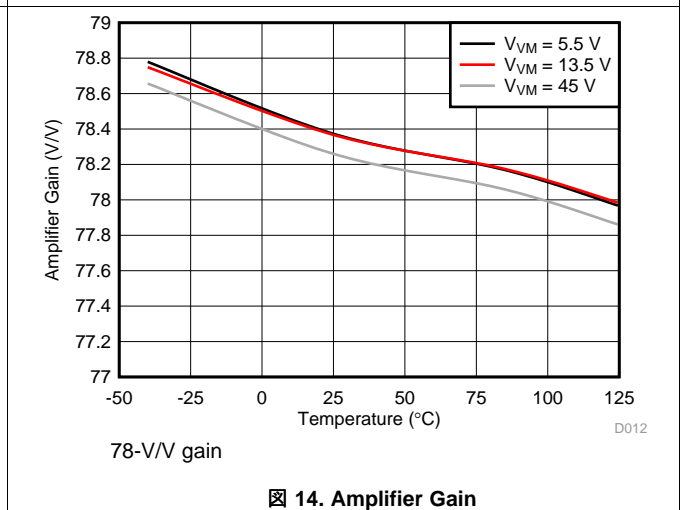
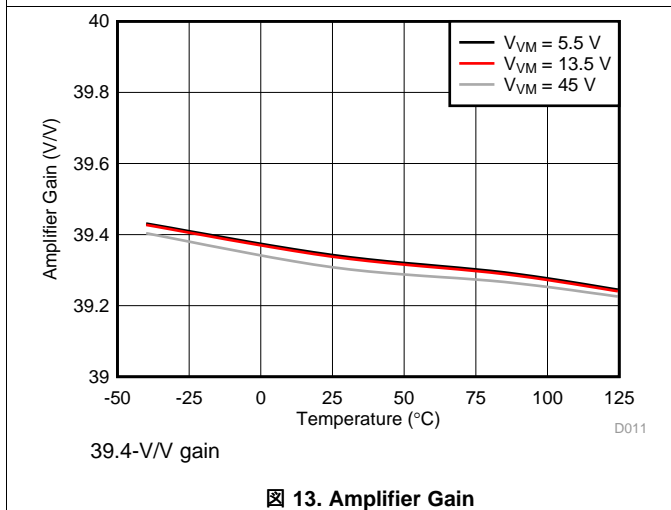
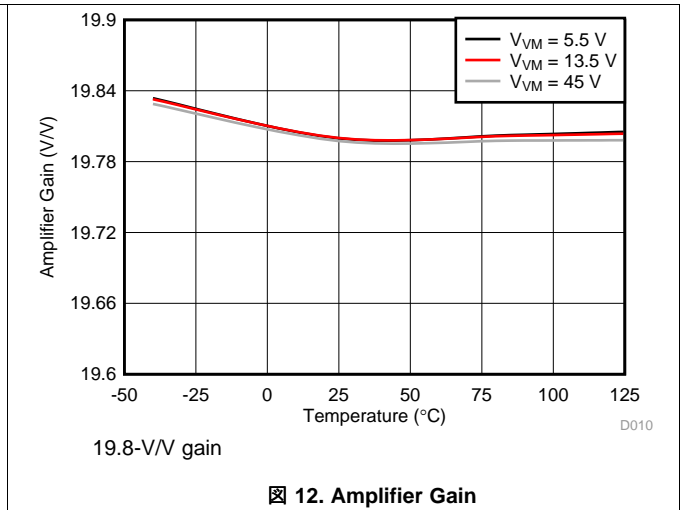
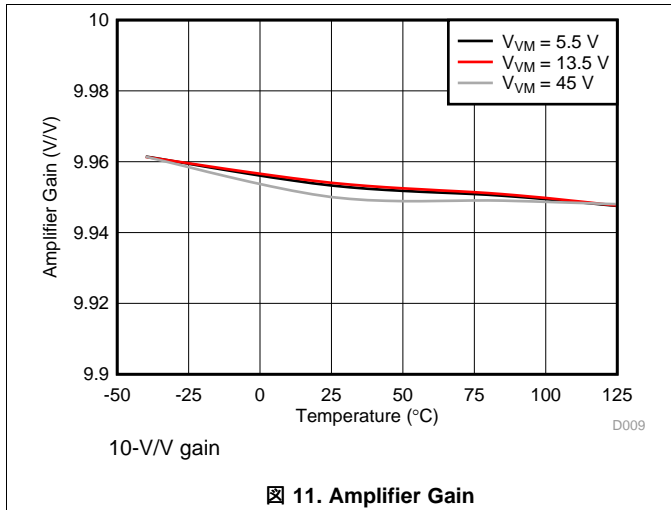
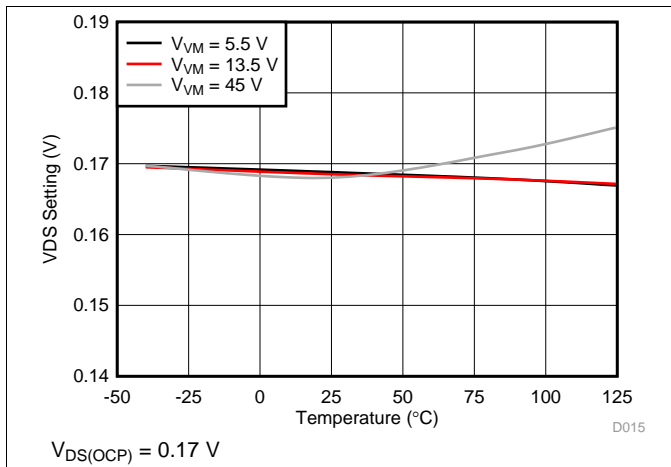


Figure 10. AVDD Regulator

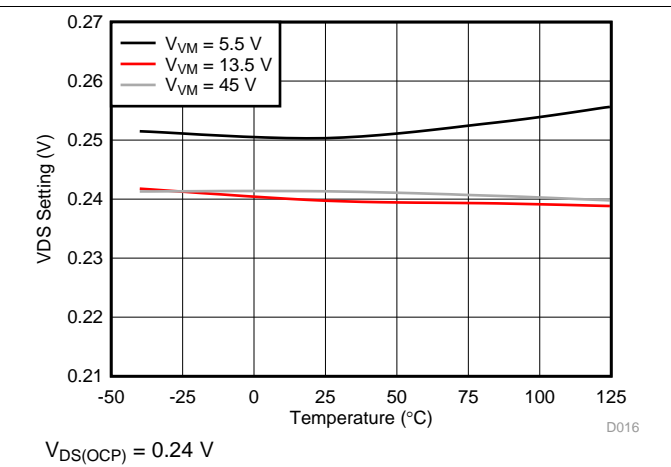
Typical Characteristics (continued)



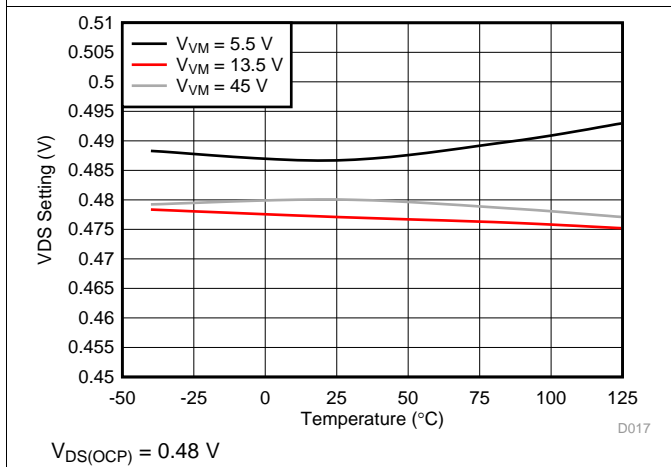
Typical Characteristics (continued)



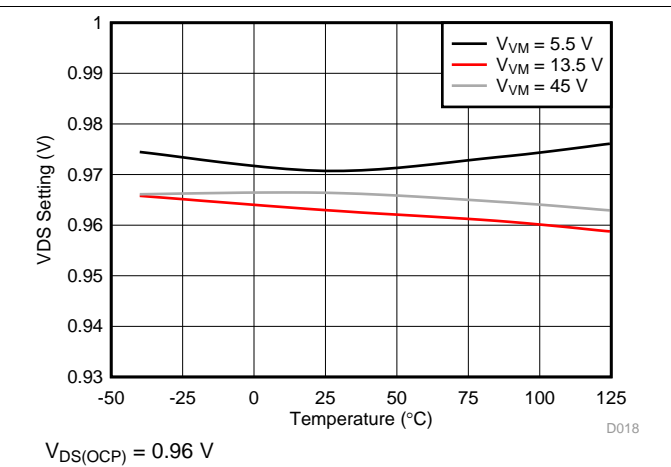
17. OCP Threshold Voltage



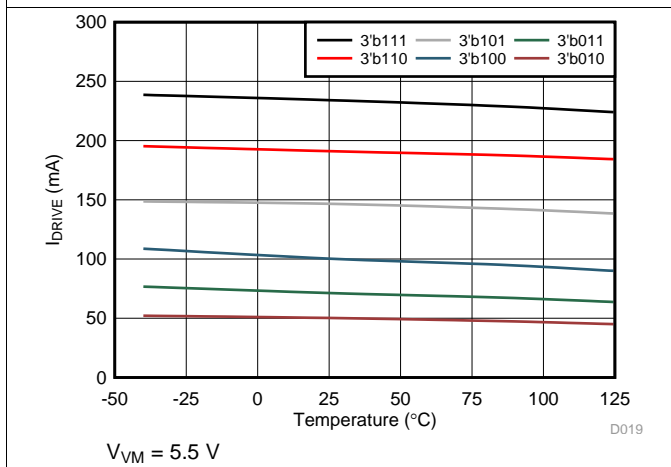
18. OCP Threshold Voltage



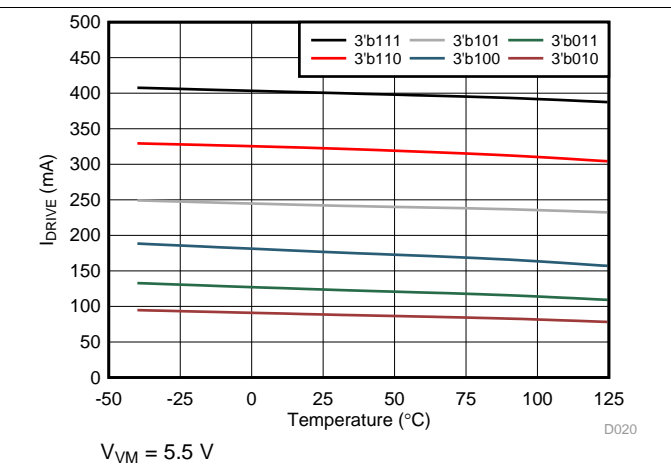
19. OCP Threshold Voltage



20. OCP Threshold Voltage

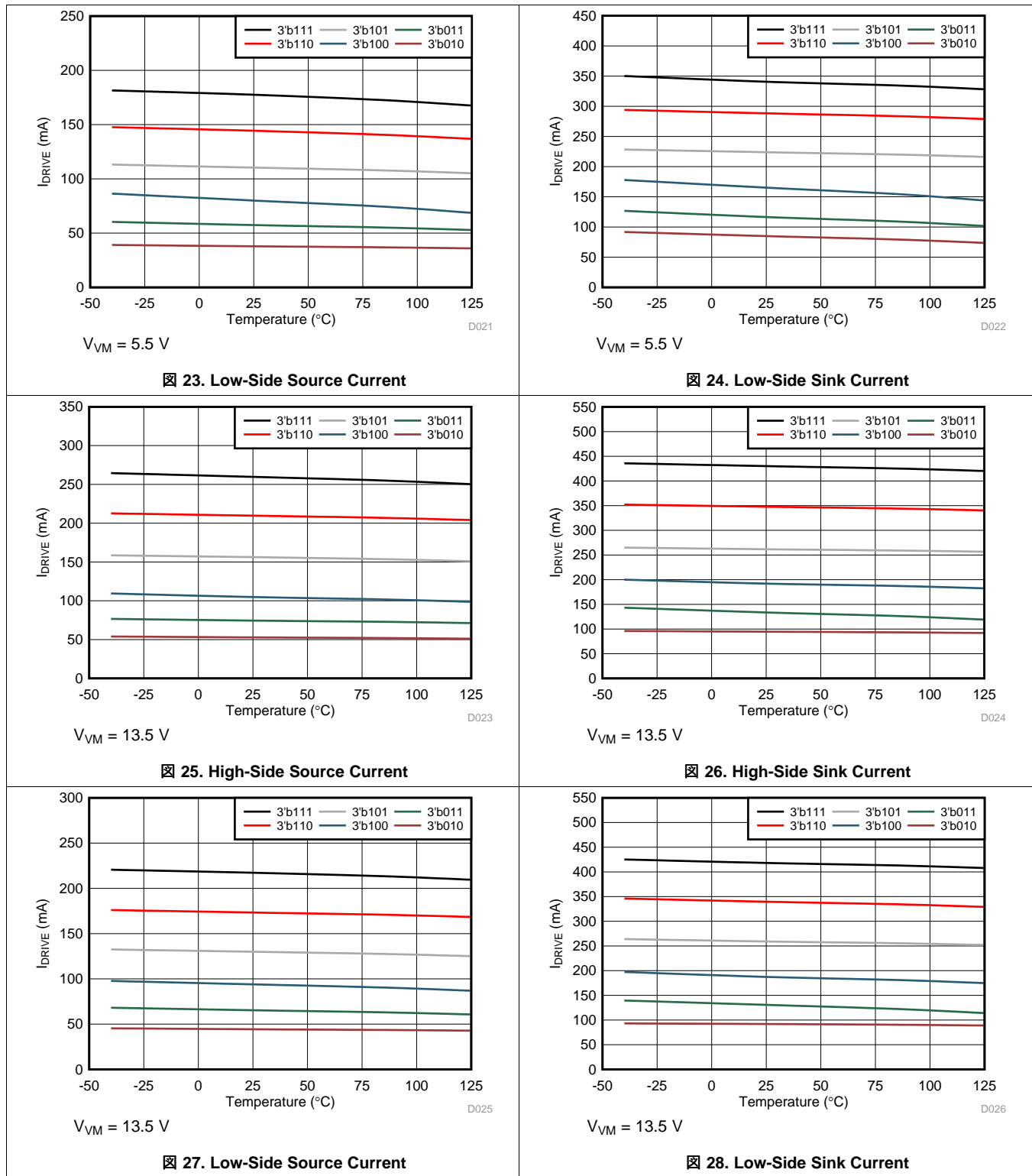


21. High-Side Source Current



22. High-Side Sink Current

Typical Characteristics (continued)



7 Detailed Description

7.1 Overview

DRV87002D-Q1 and DRV87003D-Q1 are single half-bridge drivers, also referred to as gate controllers. The drivers control two external NMOS FETs used to drive a bi-directional brushed-DC motors. The devices can also operate in independent half bridge mode to drive two single directional brushed-DC motors.

The devices can support supply voltages from 5.5 V to 45 V and have a low power sleep mode enabled through the nSLEEP pin. There are three options for the interface modes including a configurable PH/EN, independent half-bridge control, or PWM interface. This allows easy interfacing to the controller circuit.

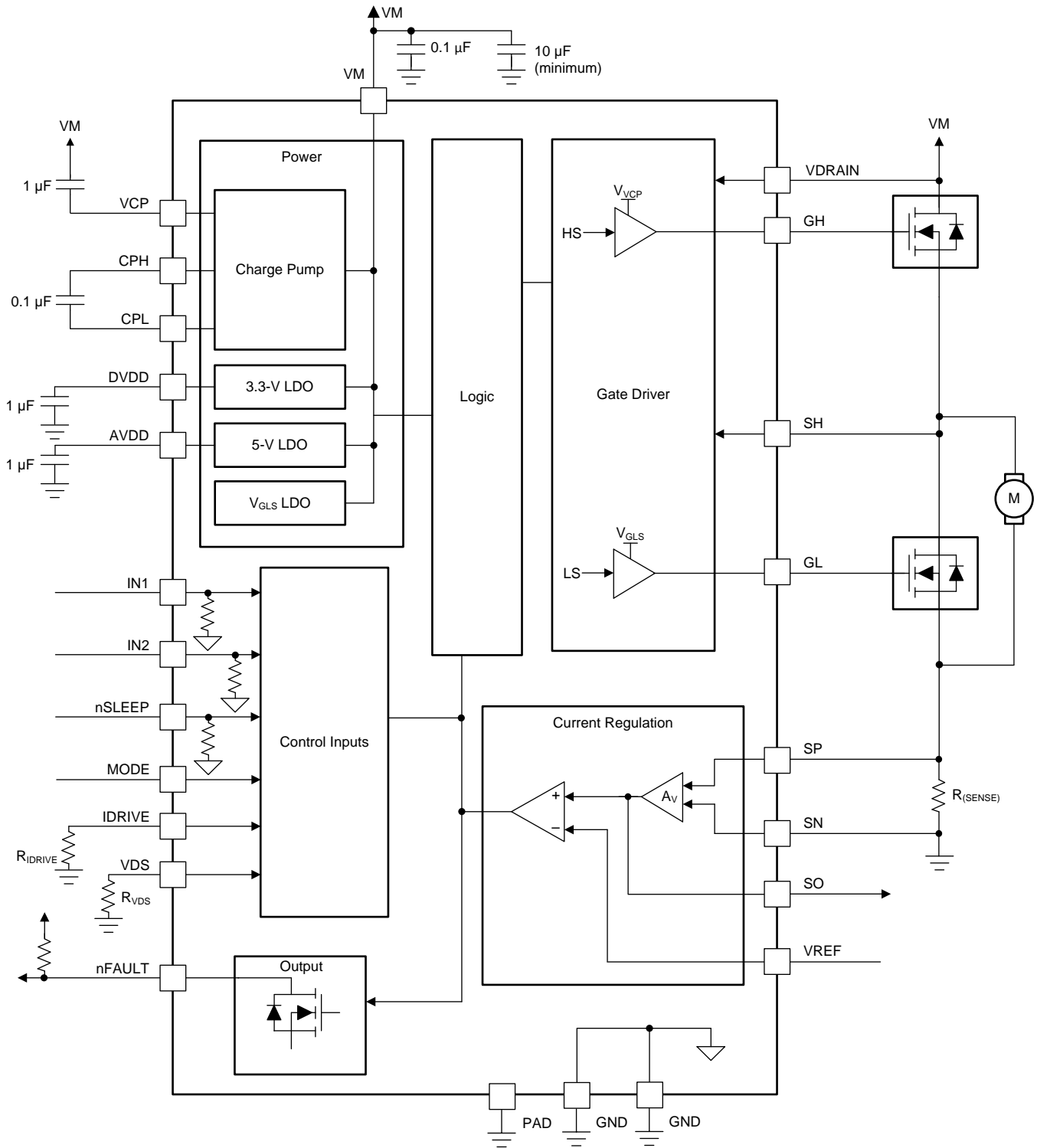
DRV87002D-Q1 and DRV87003D-Q1 include Smart Gate Drive technology which offers a combination of protection features and gate-drive configurability to improve design simplicity and bring a new level of intelligence to motor systems. The gate-drive strength, or gate-drive current can be adjusted through the driver itself to optimize for different FETs and applications without the need for external resistors. Smart Gate Drive significantly reduces the component count of discrete motor-driver systems by integrating the required FET drive circuitry into a single device. The peak current can be adjusted through the IDRIVE pin for DRV8702D-Q1 and through SPI for DRV8703D-Q1. Both the high-side and low-side FETs are driven with a gate source voltage (VGS) of 10.5 V (nominal) when the VM voltage is more than 13.5 V. At lower VM voltages, the VGS is reduced. The high-side gate drive voltage is generated using a doubler-architecture charge pump that regulates to the VM + 10.5 V.

The inrush or start up current and running current can be limited through a built in fixed time-off current chopping scheme. The chopping current level is set through the sense resistor by setting a voltage on the VREF pin. See the current regulation section for more information. A shunt-amplifier is also included in the devices to provide accurate current measurements to the system controller. The SO pin outputs a voltage that is approximately 20 times the voltage across the sense resistor on the DRV8702D-Q1 device. For the DRV8703D-Q1, this gain is configurable.

The DRV870xD-Q1 device also has protection features beyond traditional discrete implementations including: undervoltage lockout (UVLO), overcurrent protection (OCP), gate driver faults, and thermal shutdown (TSD).

The device integrates a spread spectrum clocking feature for both the internal digital oscillator and internal charge pump. This feature combined with output slew rate control minimizes the radiated emissions from the device.

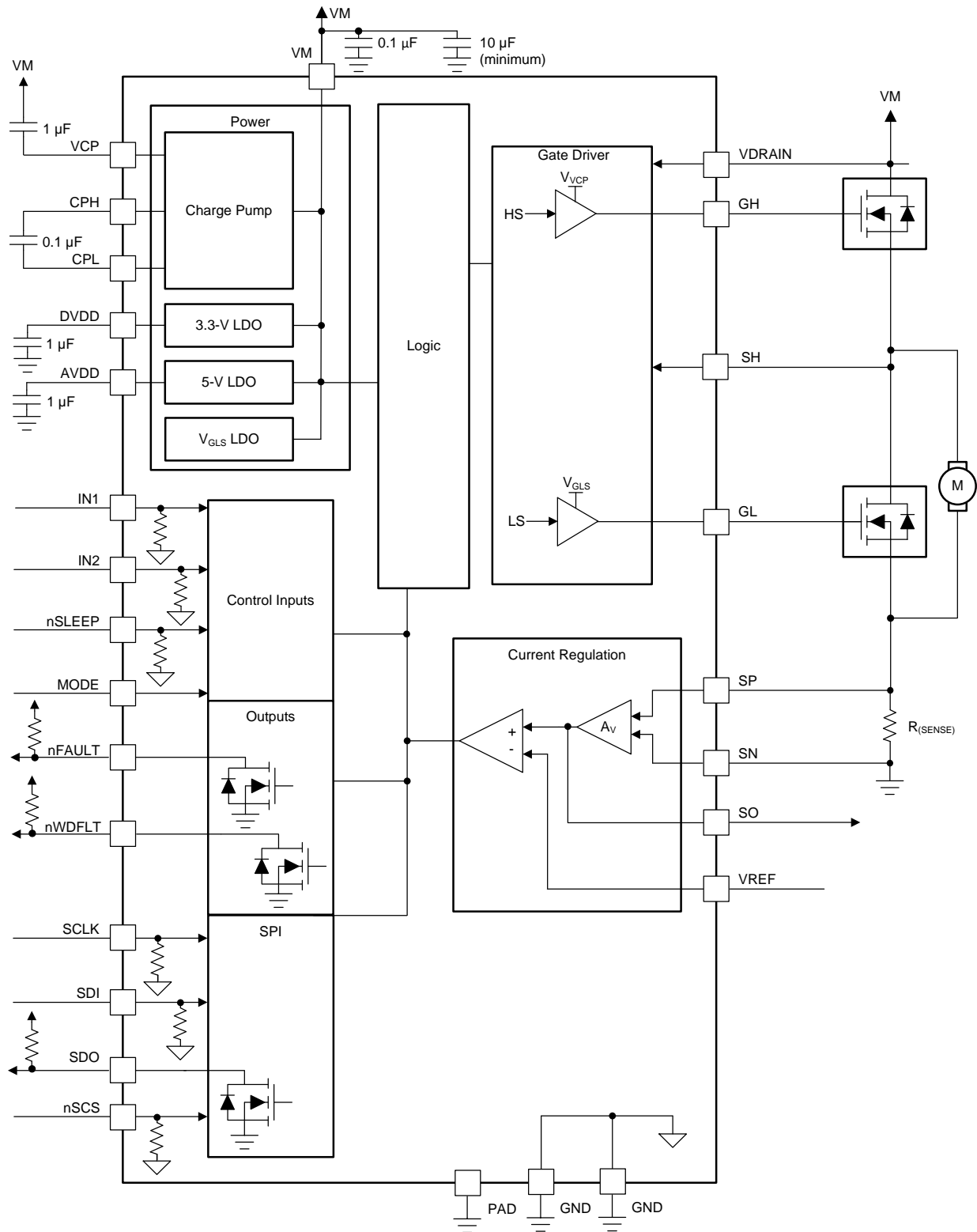
7.2 Functional Block Diagram



Copyright © 2017, Texas Instruments Incorporated

图 29. DRV8702D-Q1 Functional Block Diagram

Functional Block Diagram (continued)



Copyright © 2017, Texas Instruments Incorporated

30. DRV8703D-Q1 Functional Block Diagram

7.3 Feature Description

表 1 和 表 2 list the recommended external components for the device.

表 1. External Components

COMPONENT	PIN 1	PIN 2	RECOMMENDED
$C_{(VM1)}$	VM	GND	0.1- μ F ceramic capacitor rated for VM
$C_{(VM2)}$	VM	GND	≥ 10 - μ F electrolytic capacitor rated for VM
$C_{(VCP)}$	VCP	VM	16-V, 1- μ F ceramic capacitor
$C_{(SW)}$	CPH	CPL	0.1- μ F X7R capacitor rated for VM
$C_{(DVDD)}$	DVDD	GND	6.3-V, 1- μ F ceramic capacitor
$C_{(AVDD)}$	AVDD	GND	6.3-V, 1- μ F ceramic capacitor
$R_{(IDRIVE)}$	IDRIVE	GND	For resistor sizing, see the Typical Application section
$R_{(VDS)}$	VDS	GND	For resistor sizing, see the Typical Application section
$R_{(nFAULT)}$	$V_{CC}^{(1)}$	nFAULT	≥ 10 k Ω
$R_{(nWDFLT)}$	$V_{CC}^{(1)}$	nWDFLT	≥ 10 k Ω
$R_{(SENSE)}$	SP	SN or GND	Optional low-side sense resistor
$R_{(VDRAIN)}^{(2)}$	VDRAIN	VM	100- Ω series resistor

- (1) The V_{CC} pin is not a pin on the DRV870xD-Q1, but a V_{CC} supply voltage pullup is required for open-drain outputs nFAULT. These pins can be pulled up to either AVDD or DVDD.
- (2) The $R_{(VDRAIN)}$ resistor should be used between the VDRAIN and VM pins to minimize current to the VDRAIN pin if no external reverse battery protection is implemented on the VDRAIN pin.

表 2. External Gates

COMPONENT	GATE	DRAIN	SOURCE	RECOMMENDED
$Q_{(HS)}$	GH	VM	SH	Supports FETs up to 200 nC at 40 kHz PWM
$Q_{(LS)}$	GL	SH	SP or GND	For more information, see Application and Implementation

7.3.1 Bridge Control

The DRV870xD-Q1 device is controlled using a configurable input interface. The [Logic Tables](#) section provides the half-bridge operation states. These tables do not consider the current control built into the DRV870xD-Q1 device. The logic operation set by the MODE pin is latched on power-up or when exiting sleep mode. [Figure 31](#) shows the direction of the flow of current through the load when it is connected between the SH pin and GND, and between the SH pin and VM.

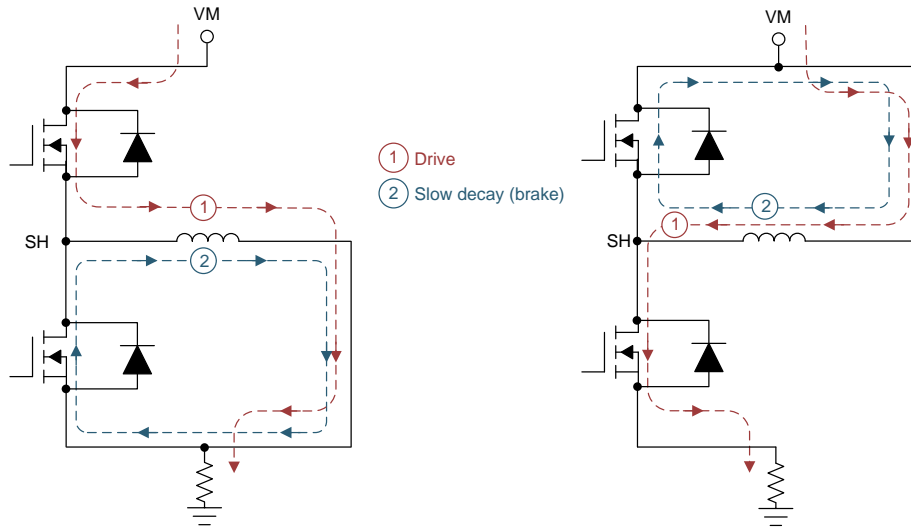


图 31. Bridge Control

7.3.1.1 Logic Tables

表 3, and 表 4 are the device logic tables. An X denotes a don't care input or output.

注

Any other input logic combinations, aside from the ones mentioned in 表 3 and 表 4, result in an error, and the device will trigger a fault.

表 3. DRV870xD-Q1 PWM Control Interface Without Current Regulation (MODE = 1)

nSLEEP	IN1	IN2	GH	GL	SH	AVDD/DVDD	Description
0	X	X	X	X	Hi-Z	Disabled	Sleep mode ½-bridge disabled
1	0	0	0	1	L	Enabled	½-bridge low side on
1	1	0	1	0	H	Enabled	½-bridge high side on

表 4. DRV870xD-Q1 PWM Control Interface With Current Regulation (MODE = Hi-Z)

nSLEEP	IN1	IN2	GH	GL	SH	AVDD/DVDD	Description
0	X	X	X	X	Hi-Z	Disabled	Sleep mode ½-bridge disabled
1	0	0	0	0	Hi-Z	Enabled	½-bridge is in tri-state
1	1	0	1	0	H	Enabled	½-bridge high-side on
1	1	1	0	1	L	Enabled	½-bridge low-side on

If MODE = Hi-Z is selected, the device performs current regulation (refer to the [Current Regulation](#) section). Having both the input (INx) pins high puts the motor in brake mode (low-side slow decay). If MODE = 1 is selected, current regulation is disabled and must be performed externally using a MCU. With MODE = 1, the load current recirculation occurs through the high-side FET as shown in [Figure 31](#).

7.3.2 MODE Pin

The MODE pin of the device determines the control interface and latches on power-up or when exiting sleep mode. Figure 32 shows an overview of the internal circuit of the MODE pin.

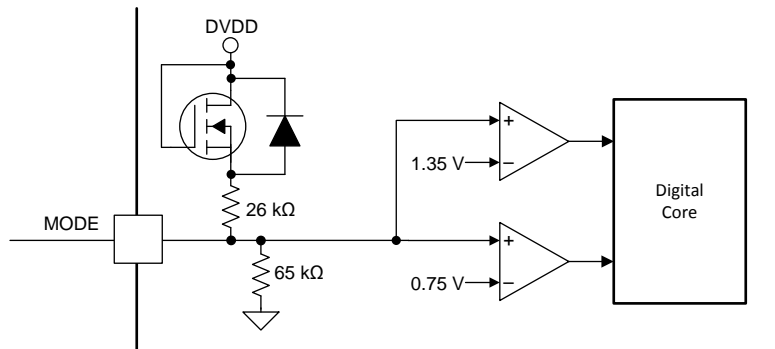


Figure 32. MODE Pin Block Diagram

Table 5 lists the different control interfaces that can be set via MODE pin at power-up or when exiting sleep mode.

Table 5. MODE Pin Configuration

MODE	CONTROL INTERFACE
1	PWM control interface without current regulation
Hi-Z	PWM control interface with current regulation

During the device power-up sequence, the DVDD pin is enabled first. Then the MODE pin latches. Finally the AVDD pin is enabled. For setting PWM control interface, TI does not recommend connecting the MODE pin to the AVDD pin. Instead the MODE pin should be connected to an external 5-V or 3.3-V supply or to the DVDD pin if not driven by an external microcontroller (MCU).

7.3.3 nFAULT Pin

The nFAULT pin has an open-drain output and should be pulled up to a 5-V or 3.3-V supply. When a fault is detected, the nFAULT line is logic low.

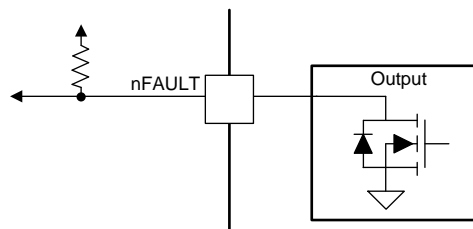


Figure 33. nFAULT Block Diagram

For a 3.3-V pullup the nFAULT pin can be tied to the DVDD pin with a resistor (refer to the [Application and Implementation](#) section). For a 5-V pullup an external 5-V supply should be used. TI does not recommend connecting the nFAULT pin to the AVDD pin.

7.3.4 Current Regulation

The maximum current through the motor winding is regulated by a fixed off-time PWM current regulation or current chopping. When an half-bridge is enabled, current rises through the winding at a rate dependent on the DC voltage and inductance of the winding. When the current hits the current chopping threshold, the bridge enters a brake (low-side slow decay) mode until the t_{off} time expires.

注

Immediately after the current is enabled, the voltage on the SP pin is ignored for a period (t_{BLANK}) before enabling the current-sense circuitry.

The PWM chopping current is set by a comparator that compares the voltage across a current-sense resistor connected to the SP pin, multiplied by a factor of A_V , with a reference voltage from the VREF pin. The factor A_V is the shunt-amplifier gain, which is 19.8 V/V for the DRV8702D-Q1 device or configurable to 10, 19.8, 39.4, or 78 V/V for the DRV8703D-Q1 device.

Use 式 1 to calculate the chopping current (I_{CHOP}).

$$I_{\text{(CHOP)}} = \frac{V_{\text{VREF}} - V_{\text{IO}} \times A_V}{A_V \times R_{\text{(SENSE)}}} \quad (1)$$

For example, if a 50-m Ω sense resistor and a VREF value of 3.3 V are selected, the full-scale chopping current is 3.28 A. The A_V is 19.8 V/V and V_{IO} is assumed to be 50 mV in this example.

注

If the load is connected between the SH pin and VM and current regulation is enabled (MODE pin is Hi-Z), the low-side FET is switched on when the current flowing through the load exceeds the ICHOP threshold. This result in an adverse effect by driving the load at 100% duty cycle because the maximum current flows through the load as the low-side FET remains switched on for the t_{OFF} duration. Texas Instruments recommends using the PWM control interface without current regulation (MODE pin is 1) for this configuration to drive the load.

For DC motors, current regulation is used to limit the start-up and stall current of the motor. If the current regulation feature is not needed, it can be disabled by tying the VREF pin directly to the AVDD pin. If the PWM control-interface mode without current regulation (MODE pin is 1) is selected for operation, the device does not perform PWM current regulation or current chopping.

7.3.5 Amplifier Output (SO)

The SO pin on the DRV870xD-Q1 device outputs an analog voltage equal to the voltage across the SP and SN pins multiplied by A_V . The SO voltage is only valid for when the load is connected in the way shown in 图 31. Use 式 2 to calculate the approximate current for the half-bridge.

$$I = \frac{V_{\text{SO}} - V_{\text{IO}} \times A_V}{A_V \times R_{\text{(SENSE)}}} \quad (2)$$

When the SP and SN voltages are 0 V, the SO pin outputs the amplifier offset voltage times the amplifier gain, $V_{\text{io}} \times A_V$. When SP minus SN is greater than 0 V, the SO pin outputs the sum of the amplifier offset voltage and the sense resist or voltage, times the amplifier gain, $(V_{\text{io}} + V_{\text{rsense}}) \times A_V$. No capacitor is required on the SO pin.

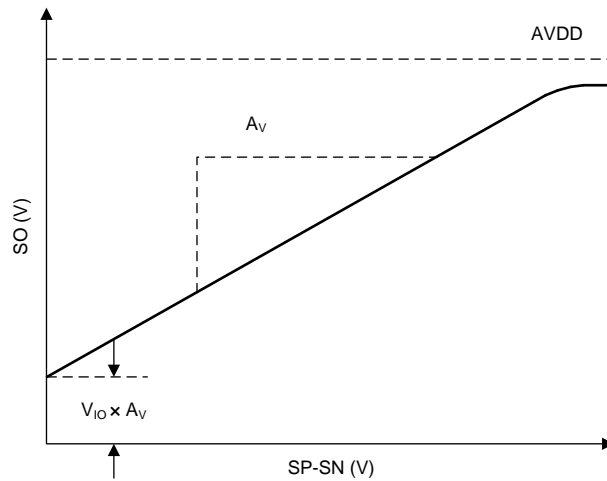


图 34. Current Sense Amplifier Output

If the voltage across the SP and SN pins exceeds 1 V, then the DRV870xD-Q1 device flags an overcurrent condition.

The SO pin can source up to 5 mA of current. If the pin is shorted to ground, or if this pin drives a higher current load, the output functions as a constant-current source. The output voltage is not representative of the half-bridge current in this state.

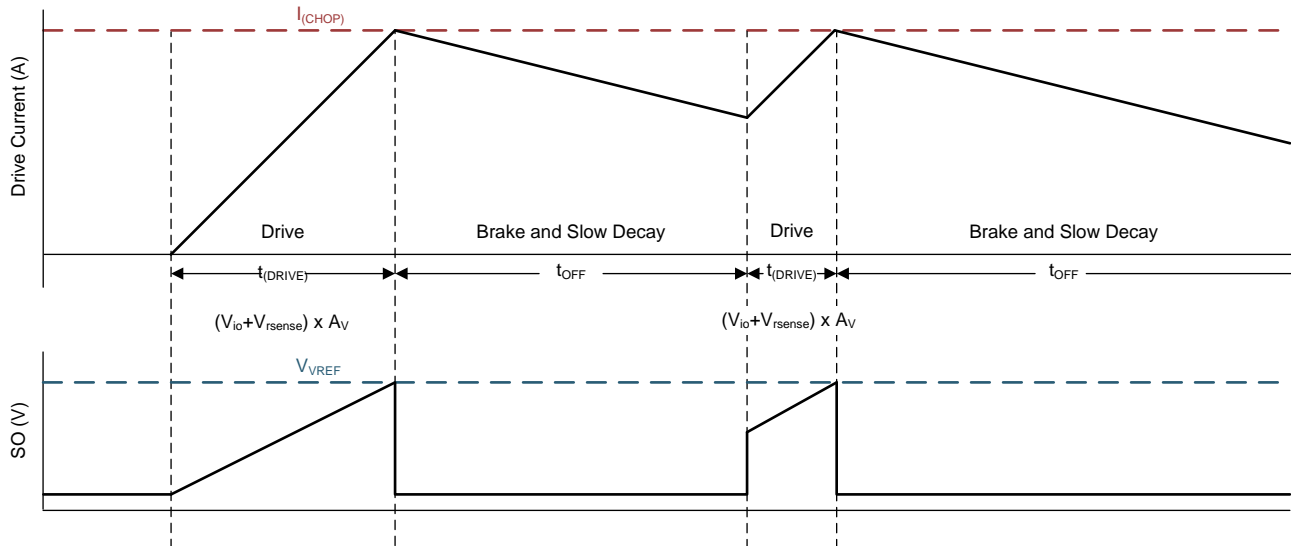
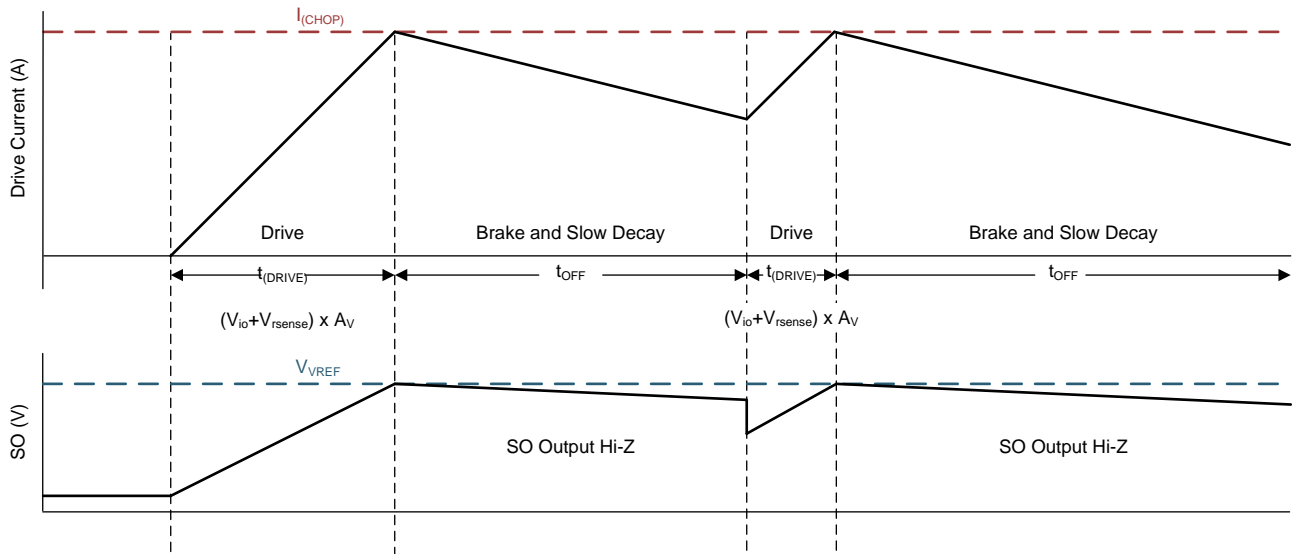


图 35. Current Sense Amplifier and Current Chopping Operation

During brake mode (slow decay), current is circulated through the low-side FET. Because current is not flowing through the sense resistor, the SO pin does not represent the motor current.

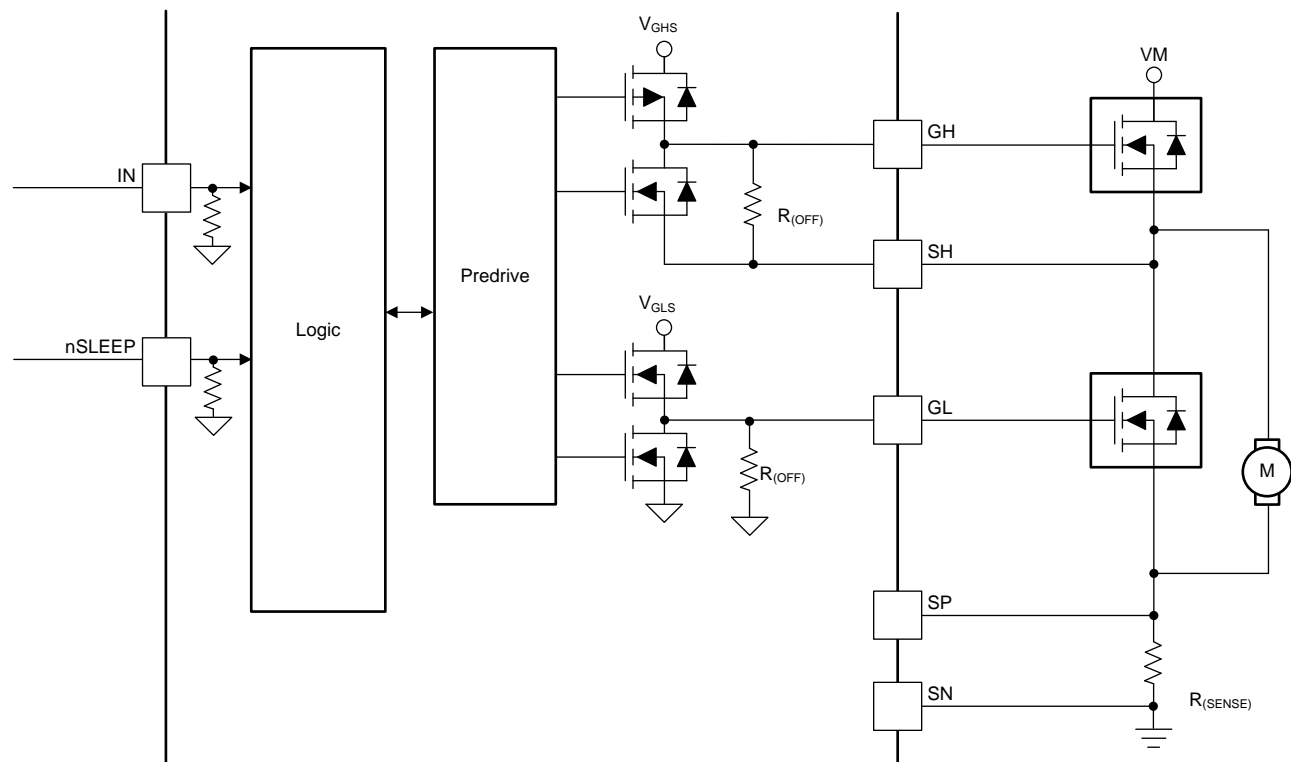
7.3.5.1 SO Sample and Hold Operation

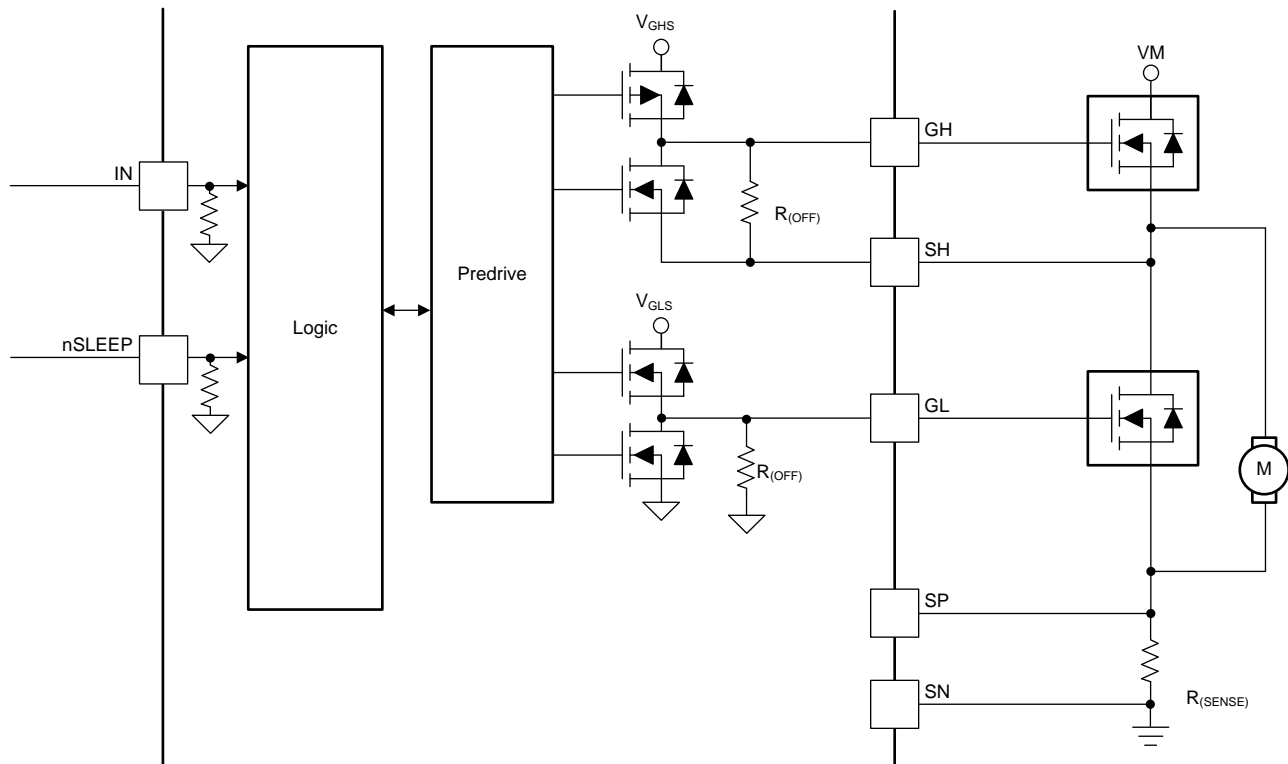
The DRV8703D-Q1 device allows the shunt amplifier to operate in a sample and hold configuration. To enable this mode, set the SH_EN bit high through the SPI. In this mode, the shunt amplifier output is disabled to the Hi-Z state whenever the driver is in a brake mode. Place an external capacitor on this pin.



36. Sample and Hold Operation

7.3.6 PWM Motor Gate Drivers

The DRV870xD-Q1 device has gate drivers for a single half-bridge with external NMOS FETs.  37 shows a block diagram of the predrive circuitry.



 37. Predrive Block Diagram

Gate drivers inside the DRV870xD-Q1 device directly drive N-Channel MOSFETs, which drive the motor current. The high-side gate drive is supplied by the charge pump, while an internal regulator generates the low-side gate drive.

The peak drive current of the gate drivers is adjustable through the IDRIVE pin for DRV8702D-Q1 device or the IDRIVE register for the DRV8703D-Q1 device. Peak source currents can be set to the values listed in the FET gate drivers section of the [Electrical Characteristics](#) table. The peak sink current is approximately two times the peak source current. Adjusting the peak current changes the output slew rate, which also depends on the FET input capacitance and gate charge.

Fast switching times can cause extra noise on the VM and GND pins. This additional noise can occur specifically because of a relatively slow reverse-recovery time of the low-side body diode, when the body diode conducts reverse-bias momentarily, similar to shoot-through. Slow switching times can cause excessive power dissipation because the external FETs have a longer turn on and turn off time.

When changing the state of the output, the peak current (I_{DRIVE}) is applied for a short period ($t_{(DRIVE)}$), to charge the gate capacitance. After this time, a weak current source (I_{HOLD}) is used to keep the gate at the desired state. When selecting the gate drive strength for a given external FET, the selected current must be high enough to charge fully and discharge the gate during $t_{(DRIVE)}$, or excessive power is dissipated in the FET.

During high-side turn on, the low-side gate is pulled low with a strong pulldown (I_{STRONG}). This pulldown prevents the low-side FET Q_{GS} from charging and keeps the FET off, even when fast switching occurs at the outputs.

The gate-driver circuits include enforcement of a dead time in analog circuitry, which prevents the high-side and low-side FETs from conducting at the same time. When the switching FETs are on, this handshaking prevents the high-side or low-side FET from turning on until the opposite FET turns off.

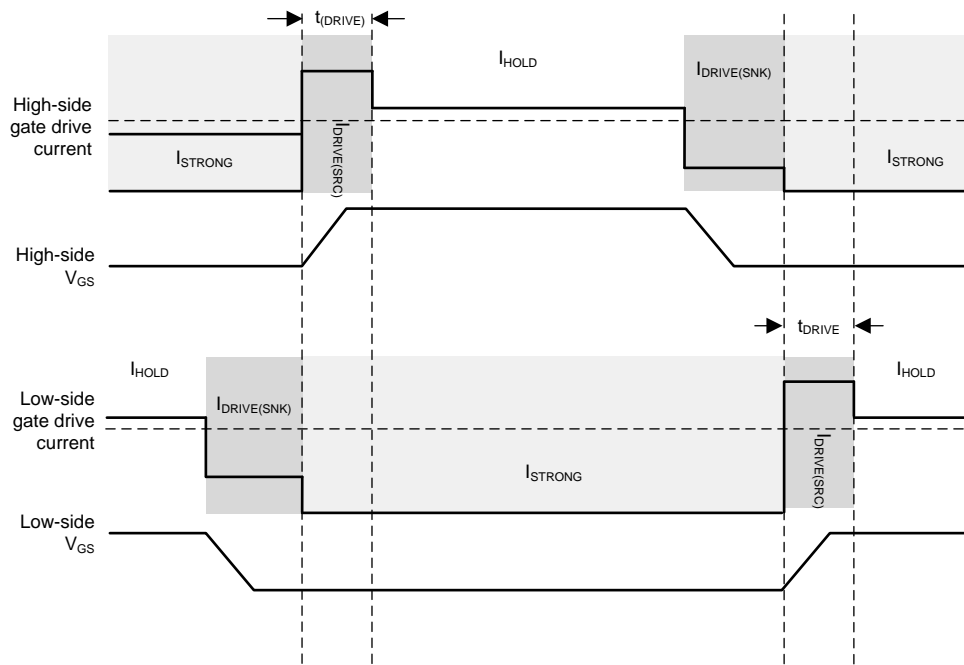


Figure 38. Gate Driver Output to Control External FETs

7.3.6.1 Miller Charge (Q_{GD})

When a FET gate turns on, the following capacitances must be charged:

- Gate-to-source charge, Q_{GS}
- Gate-to-drain charge, Q_{GD} (Miller charge)
- Remaining Q_G

The FET output is slewing primarily during the Q_{GD} charge.

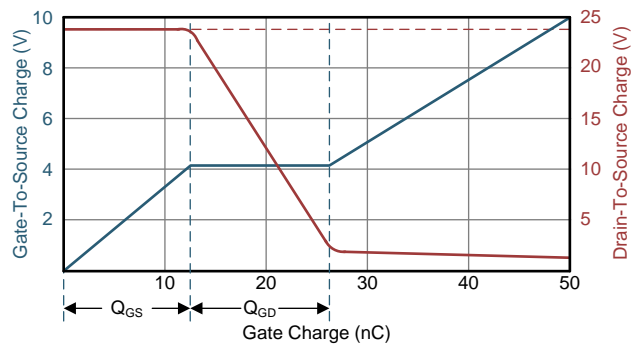
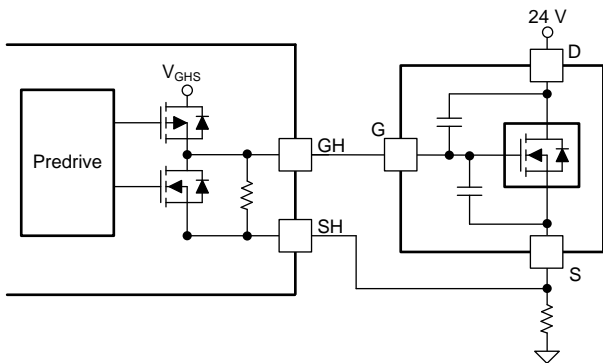


Figure 39. FET Gate Charging Profile

7.3.7 IDRIVE Pin (DRV8702D-Q1 Only)

The rise and fall times of the half-bridge output (SH pin) can be adjusted by setting the IDRIVE resistor value or forcing a voltage onto the IDRIVE pin. The FET gate voltage ramps faster if a higher IDRIVE setting is selected. The ramp of the FET gate directly affects the rise and fall times of the half-bridge output.

Tying the IDRIVE pin to ground selects the lowest drive setting of 10-mA source and 20-mA sink. Leaving this pin open selects the drive setting of 155-mA high side and 130-mA low side for source current, and 265-mA high side, 260-mA low side for sink current, at a VM voltage of 13.5 V. For a detailed list of IDRIVE configurations, see [表 6](#).

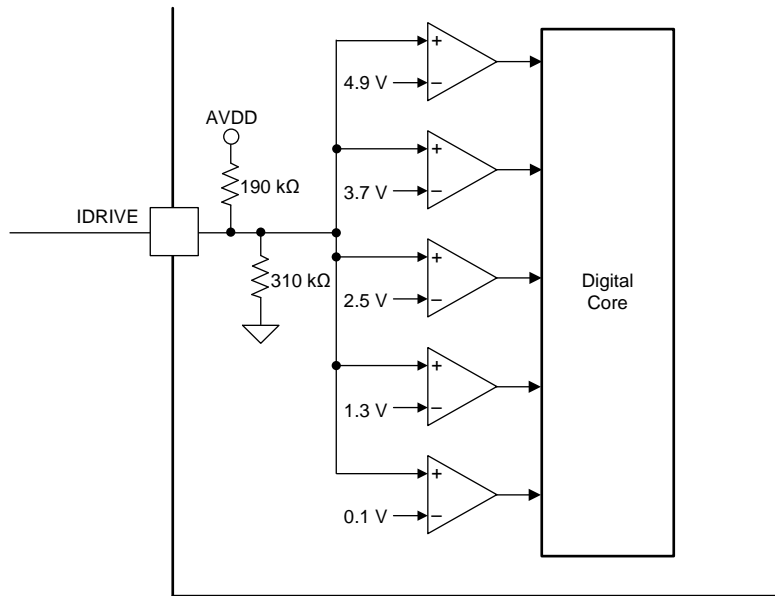
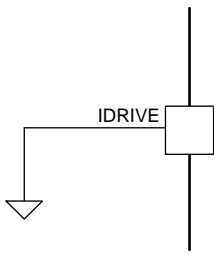
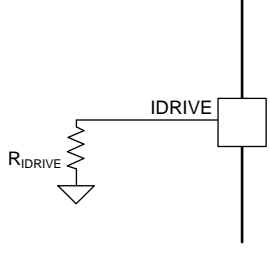
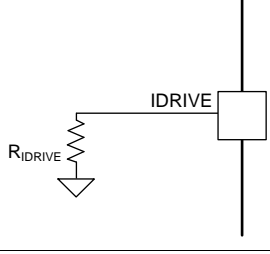
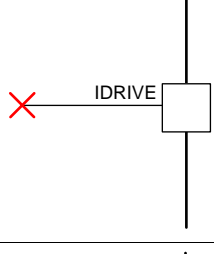
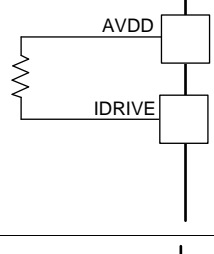
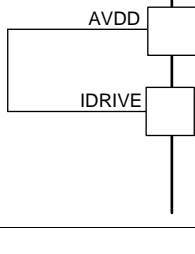


图 40. IDRIVE Pin Internal Circuitry

表 6. DRV8702D-Q1 IDRIVE Settings

IDRIVE RESISTANCE	IDRIVE VOLTAGE	SOURCE CURRENT		SINK CURRENT		CIRCUIT
		V _{VM} = 5.5 V	V _{VM} = 13.5 V	V _{VM} = 5.5 V	V _{VM} = 13.5 V	
< 1 kΩ to GND	GND	High-side: 10 mA Low-side: 10 mA	High-side: 10 mA Low-side: 10 mA	High-side: 20 mA Low-side: 20 mA	High-side: 20 mA Low-side: 20 mA	
33 kΩ ± 5% to GND	0.7 V ± 5%	High-side: 20 mA Low-side: 20 mA	High-side: 20 mA Low-side: 20 mA	High-side: 40 mA Low-side: 40 mA	High-side: 40 mA Low-side: 40 mA	
200 kΩ ± 5% to GND	2 V ± 5%	High-side: 50 mA Low-side: 40 mA	High-side: 50 mA Low-side: 45 mA	High-side: 90 mA Low-side: 85 mA	High-side: 95 mA Low-side: 95 mA	
> 2 MΩ to GND, Hi-Z	3 V ± 5%	High-side: 145 mA Low-side: 115 mA	High-side: 155 mA Low-side: 130 mA	High-side: 250 mA Low-side: 235 mA	High-side: 265 mA Low-side: 260 mA	
68 kΩ ± 5% to AVDD	4 V ± 5%	High-side: 190 mA Low-side: 145 mA	High-side: 210 mA Low-side: 180 mA	High-side: 330 mA Low-side: 300 mA	High-side: 350 mA Low-side: 350 mA	
< 1 kΩ to AVDD	AVDD	High-side: 240 mA Low-side: 190 mA	High-side: 260 mA Low-side: 225 mA	High-side: 420 mA Low-side: 360 mA	High-side: 440 mA Low-side: 430 mA	

7.3.8 Dead Time

The dead time (t_{DEAD}) is measured as the time when the SH pin is in the Hi-Z state between turning off one of the half-bridge FETs and turning on the other. For example, the output is Hi-Z between turning off the high-side FET and turning on the low-side FET.

The dead time consists of an inserted digital dead time and FET gate slewing. The DRV8702D-Q1 device has a digital dead time of approximately 240 ns. The DRV8703D-Q1 device has programmable dead-time options of 120, 240, 480, 960 ns. In addition to this digital dead time, the output is Hi-Z as long as the voltage across the GL pin to ground or GH pin to SH pin is less than the FET threshold voltage.

The total dead time is dependent on the IDRIVE resistor setting because a portion of the FET gate ramp (GH and GL pins) includes the observable dead time.

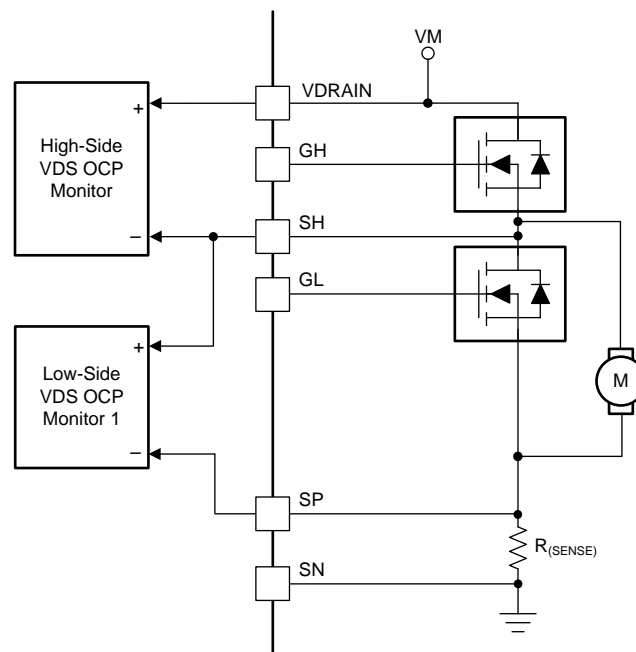
7.3.9 Propagation Delay

The propagation delay time (t_{PD}) is measured as the time between an input edge to an output change. This time is composed of two parts: an input deglitcher and output slewing delay. The input deglitcher prevents noise on the input pins from affecting the output state.

The gate drive slew rate also contributes to the delay time. For the output to change state during normal operation, one FET must first be turned off. The FET gate is ramped down according to the IDRIVE resistor selection, and the observed propagation delay ends when the FET gate falls below the threshold voltage.

7.3.10 Overcurrent VDS Monitor

The gate-driver circuit monitors the VDS voltage of each external FET when it is driving current. When the voltage monitored is greater than the OCP threshold voltage ($V_{DS(OCP)}$) after the OCP deglitch time has expired, an OCP condition is detected. The $V_{DS(OCP)}$ voltage can be adjusted by changing the resistor (R_{VDS}) on the VDS pin of the DRV8702D-Q1 device. The DRV8703D-Q1 device provides $V_{DS(OCP)}$ voltage levels by setting the VDS register.



41. $V_{DS(OCP)}$ Block Diagram

The VDS voltage on the high-side FET is measured across the VDRAIN to SH pin. The low-side VDS monitor measures the VDS voltage across the SH to SP pins. Ensure that the SP pin is always connected to the source of the low-side FET of half-bridge, even when the sense amplifier is not used.

7.3.11 VDS Pin (DRV8702D-Q1 Only)

The VDS pin on the DRV8702D-Q1 device is used to select the VDS threshold voltage for overcurrent detection.

Tying the VDS pin to ground selects the lowest setting of 0.06 V. Leaving this pin open selects the setting of 0.48 V. Tying the VDS pin to the AVDD the pin disables the VDS monitor. For a detailed list of VDS configurations, see [表 7](#).

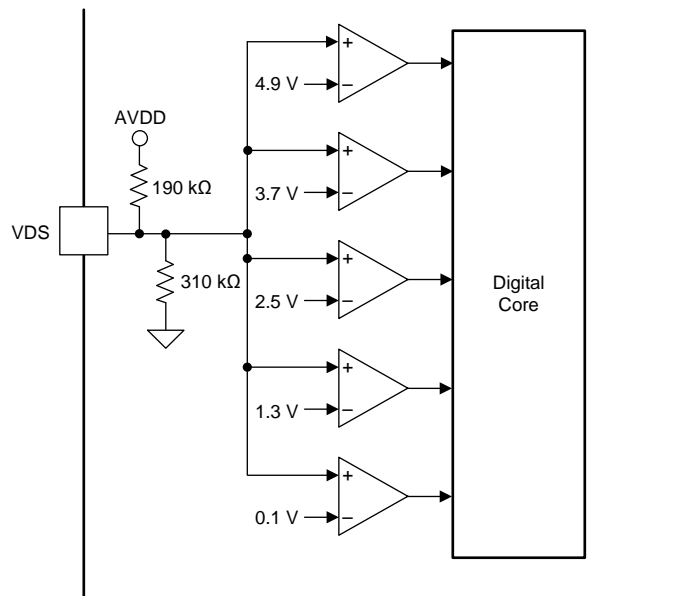
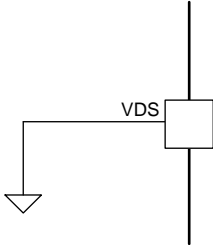
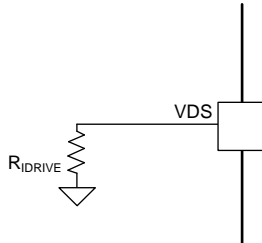
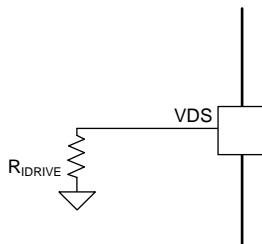
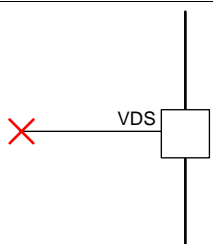
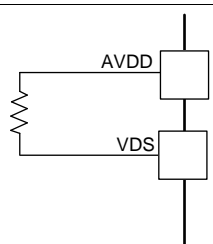
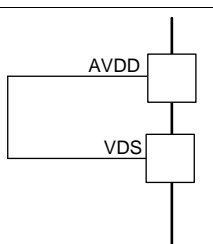


图 42. VDS Block Diagram

表 7. VDS Pin Resistor Setting

VDS RESISTANCE	VDS VOLTAGE	OVERCURRENT TRIP LEVEL ($V_{DS(OCF)}$)	CIRCUIT
< 1 k Ω to GND	GND	0.06 V	
33 k Ω \pm 5% to GND	0.7 V \pm 5%	0.12 V	
200 k Ω \pm 5% to GND	2 V \pm 5%	0.24 V	
> 2 M Ω to GND, Hi-Z	3 V \pm 5%	0.48 V	
68 k Ω \pm 5% to AVDD	4 V \pm 5%	0.96 V	
< 1 k Ω to AVDD	AVDD	Disabled	

7.3.14 Protection Circuits

The DRV870xD-Q1 device is protected against VM undervoltage, charge-pump undervoltage, overcurrent, gate-driver shorts, and overtemperature events.

7.3.14.1 VM Undervoltage Lockout (UVLO2)

If the voltage on the VM pin falls below the VM undervoltage lockout threshold voltage (V_{UVLO2}), both FETs in the half-bridge are disabled, the charge pump is disabled, and the nFAULT pin is driven low. The VM_UVFL bit of the DRV8703D-Q1 device is set. The operation resumes when the VM voltage rises above the UVLO2 threshold. The nFAULT pin is released after the operation resumes but the VM_UVFL bit on the DRV8703D-Q1 device remains set until cleared by writing to the CLR_FLT bit.

The SPI settings on the DRV8703D-Q1 device are not reset by this fault even though the output drivers are disabled. The settings are maintained and internal logic remains active until the VM voltage falls below the logic undervoltage threshold (V_{UVLO1}).

7.3.14.2 Logic Undervoltage (UVLO1)

If the voltage on the VM pin falls below the logic undervoltage threshold voltage (V_{UVLO1}), the internal logic is reset. The operation resumes when the VM voltage rises above the UVLO1 threshold. The nFAULT pin is logic low during this state because it is pulled low when the VM undervoltage condition occurs. Decreasing the VM voltage below this undervoltage threshold resets the SPI settings.

7.3.14.3 VCP Undervoltage Lockout (CPUV)

If the voltage on the VCP pin falls below the threshold voltage of the charge-pump undervoltage (CPUV) lockout, both FETs in the half-bridge are disabled and the nFAULT pin is driven low. The DRV8703D-Q1 the VCP_UVFL bit is set. The operation resumes when the VCP voltage rises above the CPUV threshold. The nFAULT pin is released after the operation resumes but the VCP_UVFL bit on the DRV8703D-Q1 device remains set until cleared by writing to the CLR_FLT bit.

7.3.14.4 Overcurrent Protection (OCP)

Overcurrent is sensed by monitoring the VDS voltage drop across the external FETs. If the voltage across a driven FET exceeds the $V_{DS(OCP)}$ level for longer than the OCP deglitch time, an OCP event is recognized. Both FETs in the half-bridge are disabled, and the nFAULT pin is driven low. The OCP bit of the DRV8703D-Q1 device is set. The drive re-enables after the $t_{(RETRY)}$ time has passed. The nFAULT pin becomes high again after the retry time.

If the fault condition is still present, the cycle repeats. If the fault is no longer present, normal operation resumes and the nFAULT pin goes high. The OCP bit on the DRV8703D-Q1 remains set until cleared by writing to the CLR_FLT bit. In addition to this FET VDS monitor, an overcurrent condition is detected if the voltage at the SP pin exceeds $V_{SP(OCP)}$ and the nFAULT pin is driven low. The OCP bit in the DRV8703-Q1 device is set.

7.3.14.5 Gate Driver Fault (GDF)

The GH and GL pins are monitored such that if the voltage on the external FET gate does not increase or decrease after the $t_{(DRIVE)}$ time, a gate driver fault is detected. This fault occurs if the GH or GL pins are shorted to the GND, SH, or VM pin. Additionally, a gate-driver fault occurs if the selected IDRIVE setting is not sufficient to turn on the external FET. Both FETs in the half-bridge are disabled, and the nFAULT pin is driven low. The GDF bit of the DRV8703D-Q1 device is set. The driver re-enables after the OCP retry period ($t_{(RETRY)}$) has passed. The nFAULT pin is released after the operation has resumed but the GDF bit on the DRV8703D-Q1 device remains set until cleared by writing to the CLR_FLT bit.

7.3.14.6 Thermal Shutdown (TSD)

If the die temperature exceeds the T_{SD} temperature, both FETs in the half-bridge are disabled, the charge pump shuts down, the AVDD regulator is disabled, and the nFAULT pin is driven low. The OTSD bit of the DRV8703D-Q1 device is set as well. After the die temperature falls below $T_{SD} - T_{hys}$ temperature, device operation automatically resumes. The nFAULT pin is released after the operation resumes, but the OTSD bit on the DRV8703D-Q1 device remains set until cleared by writing to the CLR_FLT bit.

7.3.14.7 Watchdog Fault (WDFLT, DRV8703D-Q1 Only)

An MCU watchdog function can be enabled to ensure that the external controller that is instructing the DRV8703D-Q1 device is active and in a known state. The SPI watchdog must be enabled by writing a 1 to the WD_EN bit through the SPI (disabled by default, bit is 0). When the watchdog is enabled, an internal timer starts to count down to an interval set by the WD_DLY bits. The register address 0x00 must be read by the MCU within the interval set by the WD_DLY bit to reset the watchdog. If the timer is allowed to expire, the nWDFLT pin is enabled. When the nWDFLT pin is enabled the following occurs:

- The nWDFLT pin goes low for 64 μ s.
- The nFAULT pin is asserted.
- The WD_EN bit is cleared.
- The drivers are disabled.

The WDFLT bit remains asserted, and operation is halted until the CLR_FLT bit has been written to 1.

表 8 lists the fault responses of the device under the fault conditions.

表 8. Fault Response

FAULT	CONDITION	HALF-BRIDGE	CHARGE PUMP	AVDD	DVDD	RECOVERY
VM undervoltage (UVLO)	$V_{VM} \leq V_{(UVLOx)}$ (5.45 V, max)	Disabled	Disabled	Disabled	Operating	$V_{VM} \geq V_{(UVLOx)}$ (5.65 V, max)
VCP undervoltage (CPUV)	$V_{VCP} \leq V_{(CP_UV)}$ ($V_{VM} + 1.5$, typ)	Disabled	Operating	Operating	Operating	$V_{VCP} \geq V_{(CP_UV)}$ ($V_{VM} + 1.5$, typ)
External FET overload (OCP)	$V_{DS} \geq V_{DS(OCP)}$ $V_{SP} - V_{SN} > 1$ V	Disabled	Operating	Operating	Operating	$t_{(RETRY)}$
Gate driver fault (GDF)	Gate voltage unchanged after $t_{(DRIVE)}$	Disabled	Operating	Operating	Operating	$t_{(RETRY)}$
Watchdog fault (WDFLT)	Watchdog timer expires	Disabled	Operating	Operating	Operating	CLR_FLT bit
Thermal shutdown (TSD)	$T_J \geq T_{SD}$ (150°C, min)	Disabled	Disabled	Disabled	Operating	$T_J \leq T_{SD} - T_{hys}$ (T_{hys} is typically 20°C)

7.3.14.8 Reverse Supply Protection

The circuit in [Figure 45](#) can be implemented to help protect the system from reverse supply conditions. This circuit requires the following additional components:

- NMOS FET
- NPN BJT
- Diode
- 10-k Ω resistor
- 43-k Ω resistor

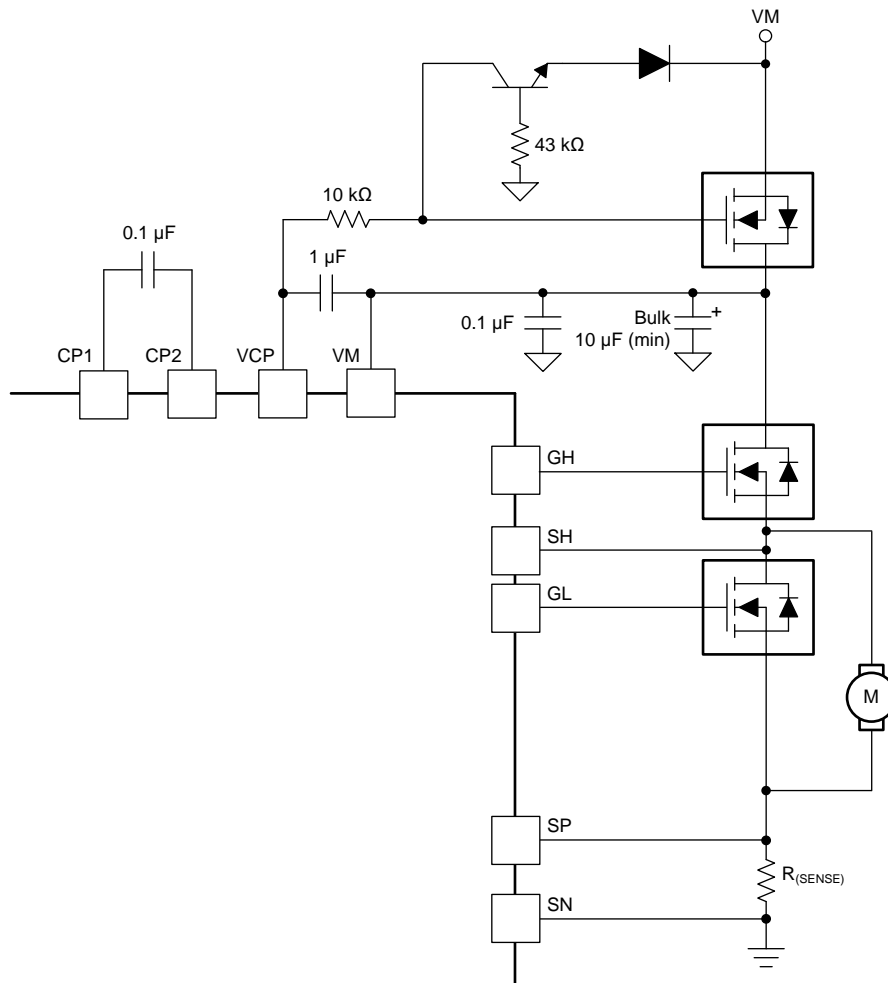


Figure 45. Reverse Supply Protection

7.3.15 Hardware Interface

The DRV8702D-Q1 hardware interface allows the device to be configured without a SPI, however not all of the functionality is configurable like the DRV8703D-Q1 device. The following configuration settings are fixed for the hardware-interface device option:

- The t_{off} value is set to 25 μ s.
- Current regulation is enabled
- The VREF pin voltage is not scaled internally (100%).
- The shunt amplifier has a fixed gain of 19.8 V/V.

7.3.15.1 IDRIVE (6-level input)

The voltage or resistance on the IDRIVE pin sets the peak source and peak sink IDRIVE setting as listed in [表 9](#).

表 9. DRV8702D-Q1 IDRIVE Settings

IDRIVE RESISTANCE	IDRIVE VOLTAGE	SOURCE CURRENT		SINK CURRENT	
		$V_{VM} = 5.5 V$	$V_{VM} = 13.5 V$	$V_{VM} = 5.5 V$	$V_{VM} = 13.5 V$
< 1 k Ω to GND	GND	High-side: 10 mA Low-side: 10 mA	High-side: 10 mA Low-side: 10 mA	High-side: 20 mA Low-side: 20 mA	High-side: 20 mA Low-side: 20 mA
33 k $\Omega \pm 5\%$ to GND	0.7 V $\pm 5\%$	High-side: 20 mA Low-side: 20 mA	High-side: 20 mA Low-side: 20 mA	High-side: 40 mA Low-side: 40 mA	High-side: 40 mA Low-side: 40 mA
200 k $\Omega \pm 5\%$ to GND	2 V $\pm 5\%$	High-side: 50 mA Low-side: 40 mA	High-side: 50 mA Low-side: 45 mA	High-side: 90 mA Low-side: 85 mA	High-side: 95 mA Low-side: 95 mA
> 2 M Ω to GND, Hi-Z	3 V $\pm 5\%$	High-side: 145 mA Low-side: 115 mA	High-side: 155 mA Low-side: 130 mA	High-side: 250 mA Low-side: 235 mA	High-side: 265 mA Low-side: 260 mA
68 k $\Omega \pm 5\%$ to AVDD	4 V $\pm 5\%$	High-side: 190 mA Low-side: 145 mA	High-side: 210 mA Low-side: 180 mA	High-side: 330 mA Low-side: 300 mA	High-side: 350 mA Low-side: 350 mA
< 1 k Ω to AVDD	AVDD	High-side: 240 mA Low-side: 190 mA	High-side: 260 mA Low-side: 225 mA	High-side: 420 mA Low-side: 360 mA	High-side: 440 mA Low-side: 430 mA

7.3.15.2 VDS (6-Level Input)

This input controls the VDS monitor trip voltage as listed in [表 10](#).

表 10. DRV8702D-Q1 VDS Settings

VDS RESISTANCE	VDS VOLTAGE	OVERCURRENT TRIP LEVEL ($V_{DS(OCF)}$)
< 1 k Ω to GND	GND	0.06 V
33 k $\Omega \pm 5\%$ to GND	0.7 V $\pm 5\%$	0.12 V
200 k $\Omega \pm 5\%$ to GND	2 V $\pm 5\%$	0.24 V
> 2 M Ω to GND, Hi-Z	3 V $\pm 5\%$	0.48 V
68 k $\Omega \pm 5\%$ to AVDD	4 V $\pm 5\%$	0.96 V
< 1 k Ω to AVDD	AVDD	Disabled

7.4 Device Functional Modes

The DRV870xD-Q1 device is active unless the nSLEEP pin is brought low. In sleep mode, the charge pump is disabled, the half-bridge FETs are disabled to the Hi-Z state, and the AVDD and DVDD regulators are disabled.

注

The $t_{(SLEEP)}$ time must elapse after a falling edge on the nSLEEP pin before the device is in sleep mode. The DRV870xD-Q1 device is brought out of sleep mode automatically if the nSLEEP pin is brought high.

The $t_{(WAKE)}$ time must elapse before the outputs change state after wakeup.

On the DRV8703D-Q1 device, the SPI settings are reset when coming out of UVLO or exiting sleep mode.

While the nSLEEP pin is brought low, both external half-bridge FETs are disabled. The high-side gate pin, GH, are pulled to the output node, SH, by an internal resistor and the low-side gate pin, GL, are pulled to ground.

When the VM voltage is not applied and during the power-on time (t_{on}) the outputs are disabled using weak pulldown resistors between the GH and SH pins and the GL and GND pins.

注

The MODE pin controls the device-logic operation for the PWM input mode. This operation is latched on power up or when exiting sleep mode.

7.5 Programming

7.5.1 SPI Communication

7.5.1.1 Serial Peripheral Interface (SPI)

The SPI (DRV8703D-Q1 only) is used to set device configurations, operating parameters, and read out diagnostic information. The DRV8703D-Q1 SPI operates in slave mode. The SPI input data (SDI) word consists of a 16-bit word, with a 5-bit command, 3 don't care bits, and 8 bits of data. The SPI output data (SDO) word consists of 8-bit register data and the first 8 bits are don't cares.

A valid frame has to meet following conditions:

- The clock polarity (CPOL) must be set to 0.
- The clock phase (CPHA) must be set to 0.
- The SCLK pin must be low when the nSCS pin goes low and when the nSCS pin goes high.
- No SCLK signal can occur when the nSCS signal is in transition.
- The SCLK pin must be low when the nSCS pin goes high.
- The nSCS pin should be taken high for at least 500 ns between frames.
- When the nSCS pin is asserted high, any signals at the SCLK and SDI pins are ignored, and the SDO pin is in the high impedance state.
- Full 16 SCLK cycles must occur.
- Data is captured on the falling edge of the clock and data is driven on the rising edge of the clock.
- The most-significant bit (MSB) is shifted in and out first
- For a write command, if the data word sent to the SDI pin is less than or more than 16 bits, a frame error occurs and the data word is ignored.
- For a write command, the existing data in the register being written to is shifted out on the SDO pin following the 5-bit command data

Programming (continued)

7.5.1.2 SPI Format

The SDI input-data word is 16 bits long and consists of the following format:

- 1 read or write bit, W (bit 15)
- 4 address bits, A (bits 14 through 11)
- 3 don't care bits, X (10 through 8)
- 8 data bits, D (7:0)

The SDO output-data word is 16 bits long and the first 8 bits are don't care bits. The data word is the content of the register being accessed.

For a write command ($W0 = 0$), the response word on the SDO pin is the data currently in the register being written to.

For a read command ($W0 = 1$), the response word is the data currently in the register being read.

表 11. SDI Input Data Word Format

R/W	ADDRESS				DON'T CARE			DATA							
B15	B14	B13	B12	B11	B10	B9	B8	B7	B6	B5	B4	B3	B2	B1	B0
W0	A3	A2	A1	A0	X	X	X	D7	D6	D5	D4	D3	D2	D1	D0

表 12. SDO Output Data Word Format

DON'T CARE								DATA							
B15	B14	B13	B12	B11	B10	B9	B8	B7	B6	B5	B4	B3	B2	B1	B0
X	X	X	X	X	X	X	X	D7	D6	D5	D4	D3	D2	D1	D0

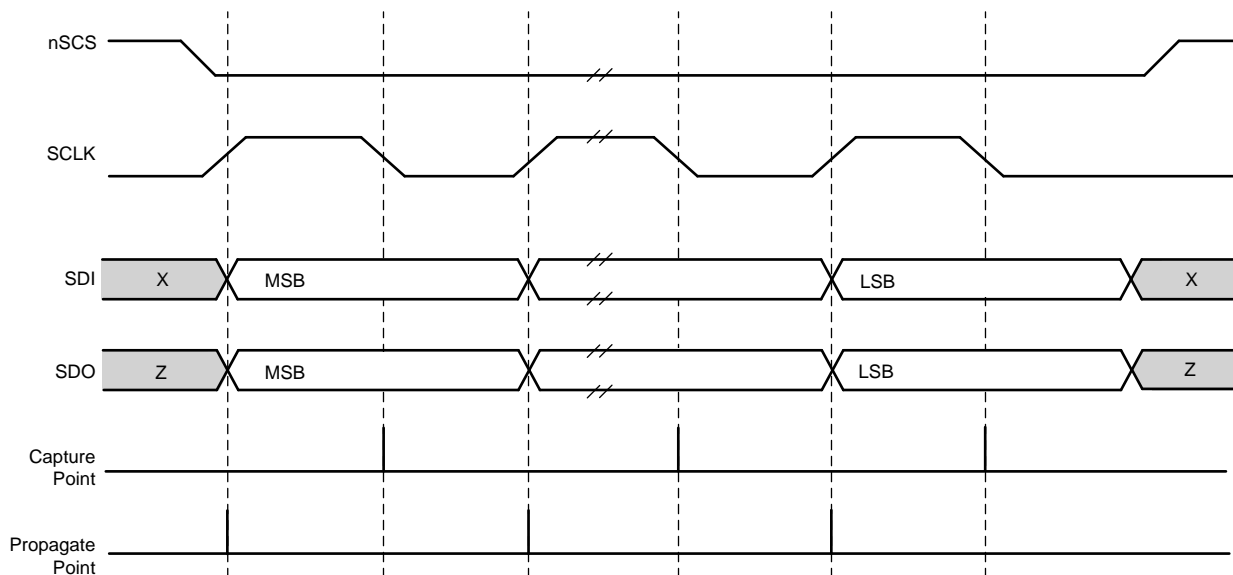


图 46. SPI Transaction

The SCLK pin should be low at power-up of the device for reliable SPI transaction. If the SCLK pin cannot be guaranteed to be low at power-up, TI recommends performing a dummy SPI-read transaction (of any register) after power-up to ensure reliable subsequent transactions. Data read from this dummy read transaction should be discarded.

7.6 Register Maps

DRV8703D-Q1 Memory Map

Register Name	7	6	5	4	3	2	1	0	Access Type	Address (Hex)
FAULT Status	FAULT	WDFLT	GDF	OCF	VM_UVFL	VCP_UVFL	OTSD	OTW	R	0
VDS and GDF	RESERVED		H_GDF	L_GDF	RESERVED		H_VDS	L_VDS	R	1
Main	RESERVED		LOCK			IN1	IN2	CLR_FLT	RW	2
IDRIVE and WD	TDEAD		WD_EN	WD_DLY		IDRIVE			RW	3
VDS	SO_LIM	VDS			RESERVED		DIS_H_VDS	DIS_L_VDS	RW	4
Config	TOFF		CHOP_IDS	VREF_SCL		SH_EN	GAIN_CS		RW	5

表 13. Access Type Codes

Access Type	Code	Description
Read Type		
R	R	Read
Write Type		
W	W	Write

7.6.1 Status Registers

The status registers are used to report warning and fault conditions. Status registers are read only registers.

表 14 lists the memory-mapped registers for the status registers. All register offset addresses not listed in 表 14 should be considered as reserved locations and the register contents should not be modified.

表 14. Status Registers Summary Table

Address	Register Name	Section
0x00h	FAULT status	Go
0x01h	VDS and GDF status	Go

7.6.1.1 FAULT Status Register (address = 0x00h)

FAULT status is shown in 图 47 and described in 表 15.

Return to [Summary Table](#).

Read only

图 47. FAULT Status Register

7	6	5	4	3	2	1	0
FAULT	WDFLT	GDF	OCF	VM_UVFL	VCP_UVFL	OTSD	OTW
R-0b	R-0b	R-0b	R-0b	R-0b	R-0b	R-0b	R-0b

表 15. FAULT Status Field Descriptions

Bit	Field	Type	Default	Description
7	FAULT	R	0b	Logic OR of the FAULT status register excluding the OTW bit
6	WDFLT	R	0b	Watchdog time-out fault
5	GDF	R	0b	Indicates gate drive fault condition
4	OCF	R	0b	Indicates VDS monitor overcurrent fault condition
3	VM_UVFL	R	0b	Indicates VM undervoltage lockout fault condition
2	VCP_UVFL	R	0b	Indicates charge-pump undervoltage fault condition
1	OTSD	R	0b	Indicates overtemperature shutdown
0	OTW	R	0b	Indicates overtemperature warning

7.6.1.2 VDS and GDF Status Register Name (address = 0x01h)

VDS and GDF status is shown in [图 48](#) and described in [表 16](#).

Return to [Summary Table](#).

Read only

图 48. VDS and GDF Status Register

7	6	5	4	3	2	1	0
RESERVED		H_GDF	L_GDF	RESERVED		H_VDS	L_VDS
R-00b		R-0b	R-0b	R-00b		R-0b	R-0b

表 16. VDS and GDF Status Field Descriptions

Bit	Field	Type	Default	Description
7-6	RESERVED	R	00b	Reserved
5	H_GDF	R	0b	Indicates gate drive fault on the high-side FET of half-bridge
4	L_GDF	R	0b	Indicates gate drive fault on the low-side FET of half-bridge
3-2	RESERVED	R	00b	Reserved
1	H_VDS	R	0b	Indicates VDS monitor overcurrent fault on the high-side FET of half-bridge
0	L_VDS	R	0b	Indicates VDS monitor overcurrent fault on the low-side FET of half-bridge

7.6.2 Control Registers

The control registers are used to configure the device. Control registers are read and write capable.

[表 17](#) lists the memory-mapped registers for the status registers. All register offset addresses not listed in [表 17](#) should be considered as reserved locations and the register contents should not be modified.

表 17. Status Registers Summary Table

Address	Register Name	Section
0x02h	Main control	Go
0x03h	IDRIVE and WD control	Go
0x04h	VDS control	Go
0x05h	Config control	Go

7.6.2.1 Main Control Register Name (address = 0x02h)

Main control is shown in [图 49](#) and described in [表 18](#).

Return to [Summary Table](#).

Read and write

图 49. Main Control Register

7	6	5	4	3	2	1	0
RESERVED		LOCK			IN1	IN2	CLR_FLT
R/W-00b		R/W-011b			R/W-0b	R/W-0b	R/W-0b

表 18. Main Control Field Descriptions

Bit	Field	Type	Default	Description
7-6	RESERVED	R/W	00b	Reserved
5-3	LOCK	R/W	011b	Write 110b to lock the settings by ignoring further register changes except to address 0x02h. Writing any sequence other than 110b has no effect when unlocked. Write 011b to this register to unlock all registers. Writing any sequence other than 011b has no effect when locked.
2	IN1	R/W	0b	This bit is ORed with the IN1 pin
1	IN2	R/W	0b	This bit is ORed with the IN2 pin
0	CLR_FLT	R/W	0b	Write a 1 to this bit to clear the fault bits

7.6.2.2 IDRIVE and WD Control Register Name (address = 0x03h)

IDRIVE and WD control is shown in [图 50](#) and described in [表 19](#).

Return to [Summary Table](#).

Read and write

图 50. IDRIVE and WD Register

7	6	5	4	3	2	1	0
TDEAD		WD_EN	WD_DLY		IDRIVE		
R/W-00b		R/W-0b	R/W-00b		R/W-111b		

表 19. IDRIVE and WD Field Descriptions

Bit	Field	Type	Default	Description
7-6	TDEAD	R/W	00b	Dead time 00b = 120 ns 01b = 240 ns 10b = 480 ns 11b = 960 ns
5	WD_EN	R/W	0b	Enables or disables the watchdog time (disabled by default)
4-3	WD_DLY	R/W	00b	Watchdog timeout delay (if WD_EN = 1) 00b = 10 ms 01b = 20 ms 10b = 50 ms 11b = 100 ms
2-0	IDRIVE	R/W	111b	Sets the peak source current and peak sink current of the gate drive. 表 20 lists the bit settings.

表 20. IDRIVE Bit Settings

Bit Value	Source Current		Sink Current	
	V _{VM} = 5.5 V	V _{VM} = 13.5 V	V _{VM} = 5.5 V	V _{VM} = 13.5 V
000b	High-side: 10 mA Low-side: 10 mA	High-side: 10 mA Low-side: 10 mA	High-side: 20 mA Low-side: 20 mA	High-side: 20 mA Low-side: 20 mA
001b	High-side: 20 mA Low-side: 20 mA	High-side: 20 mA Low-side: 20 mA	High-side: 40 mA Low-side: 40 mA	High-side: 40 mA Low-side: 40 mA
010b	High-side: 50 mA Low-side: 40 mA	High-side: 50 mA Low-side: 45 mA	High-side: 90 mA Low-side: 85 mA	High-side: 95 mA Low-side: 95 mA
011b	High-side: 70 mA Low-side: 55 mA	High-side: 70 mA Low-side: 60 mA	High-side: 120 mA Low-side: 115 mA	High-side: 130 mA Low-side: 125 mA
100b	High-side: 100 mA Low-side: 75 mA	High-side: 105 mA Low-side: 90 mA	High-side: 170 mA Low-side: 160 mA	High-side: 185 mA Low-side: 180 mA
101b	High-side: 145 mA Low-side: 115 mA	High-side: 155 mA Low-side: 130 mA	High-side: 250 mA Low-side: 235 mA	High-side: 265 mA Low-side: 260 mA
110b	High-side: 190 mA Low-side: 145 mA	High-side: 210 mA Low-side: 180 mA	High-side: 330 mA Low-side: 300 mA	High-side: 350 mA Low-side: 350 mA
111b	High-side: 240 mA Low-side: 190 mA	High-side: 260 mA Low-side: 225 mA	High-side: 420 mA Low-side: 360 mA	High-side: 440 mA Low-side: 430 mA

7.6.2.3 VDS Control Register Name (address = 0x04h)

VDS control is shown in [图 51](#) and described in [表 21](#).

Return to [Summary Table](#).

Read and write

图 51. VDS Control Register

7	6	5	4	3	2	1	0
SO_LIM	VDS		RESERVED		DIS_H_VDS	DIS_L_VDS	
R/W-0b	R/W-111b		R-00b		R/W-0b	R/W-0b	

表 21. VDS Control Field Descriptions

Bit	Field	Type	Default	Description
7	SO_LIM	R/W	0b	0b = Default operation 1b = SO output is voltage-limited to 3.6 V
6-4	VDS	R/W	111b	Sets the $V_{DS(OC)}$ monitor for each FET 000b = 0.06 V 001b = 0.145 V 010b = 0.17 V 011b = 0.2 V 100b = 0.12 V 101b = 0.24 V 110b = 0.48 V 111b = 0.96 V
3-2	RESERVED	R	00b	Reserved
1	DIS_H_VDS	R/W	0b	Disables the VDS monitor on the high-side FET of half-bridge (enabled by default)
0	DIS_L_VDS	R/W	0b	Disables the VDS monitor on the low-side FET of half-bridge (enabled by default)

7.6.2.4 Config Control Register Name (address = 0x05h)

Config control is shown in [图 52](#) and described in [表 22](#).

Return to [Summary Table](#).

Read and write

图 52. Config Control Register

7	6	5	4	3	2	1	0
TOFF		CHOP_IDS	VREF_SCL		SH_EN	GAIN_CS	
R/W-00b		R/W-0b	R/W-00b		R/W-0b	R/W-01b	

表 22. Config Control Field Descriptions

Bit	Field	Type	Default	Description
7-6	TOFF	R/W	00b	Off time for PWM current chopping 00b = 25 μ s 01b = 50 μ s 10b = 100 μ s 11b = 200 μ s
5	CHOP_IDS	R/W	0b	Disables current regulation (enabled by default)
4-3	VREF_SCL	R/W	00b	Scale factor for the VREF input 00b = 100% 01b = 75% 10b = 50% 11b = 25%
2	SH_EN	R/W	0b	Enables sample and hold operation of the shunt amplifier (disabled by default)
1-0	GAIN_CS	R/W	01b	Shunt amplifier gain setting 00b = 10 V/V 01b = 19.8 V/V 10b = 39.4 V/V 11b = 78 V/V

8 Application and Implementation

注

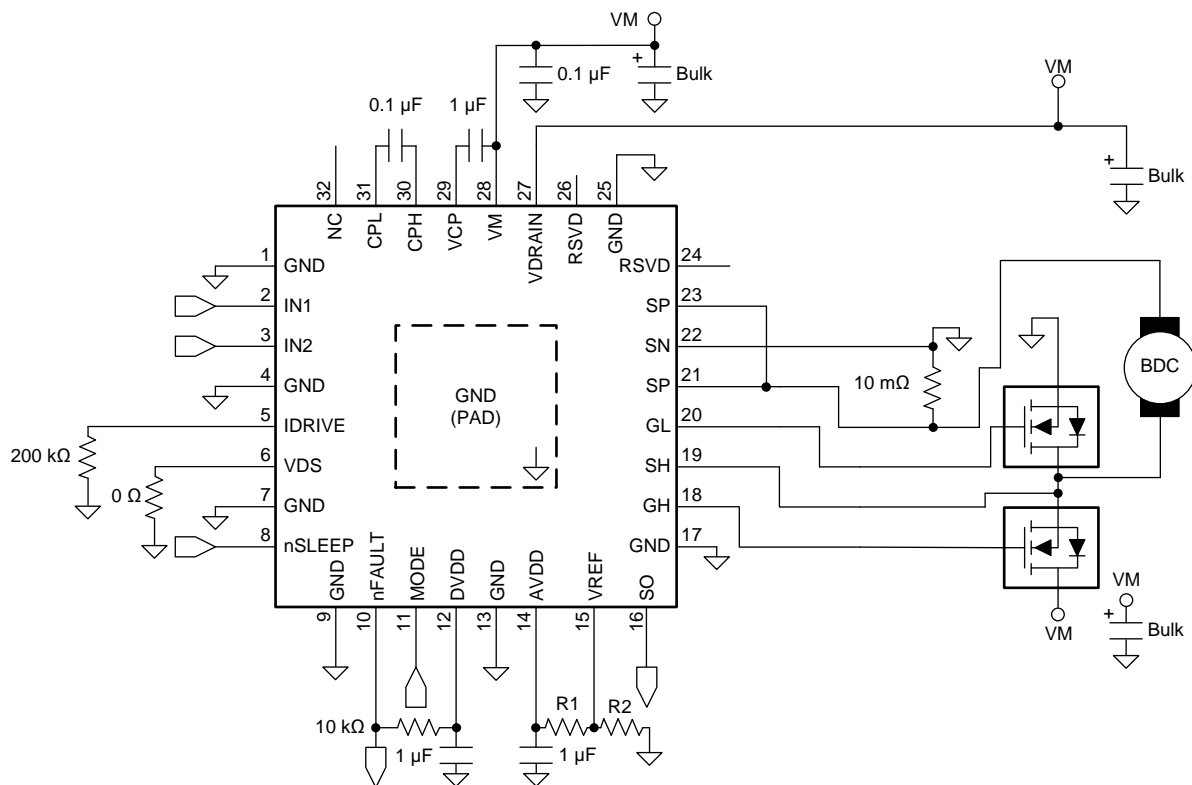
Information in the following applications sections is not part of the TI component specification, and TI does not warrant its accuracy or completeness. TI's customers are responsible for determining suitability of components for their purposes. Customers should validate and test their design implementation to confirm system functionality.

8.1 Application Information

The DRV870xD-Q1 device is used in brushed-DC, solenoid, or relay-control applications. The following typical application can be used to configure the DRV870xD-Q1 device.

8.2 Typical Application

This application features the DRV8702D-Q1 device.



Copyright © 2017, Texas Instruments Incorporated

53. DRV8702D-Q1 Typical Application Schematic

Typical Application (continued)

8.2.1 Design Requirements

For this design example, use the parameters listed in 表 23 as the input parameters.

表 23. Design Parameters

DESIGN PARAMETER	REFERENCE	EXAMPLE VALUE
Nominal supply voltage	VM	14 V
Supply voltage range		7 V to 35 V
FET part number		CSD18502Q5B
FET total gate charge	Q_g	52 nC (typical)
FET gate-to-drain charge	Q_{gd}	8.4 nC (typical)
Target FET gate rise time	t_r	100 to 300 ns
Motor current chopping level	$I_{(CHOP)}$	15 A

8.2.2 Detailed Design Procedure

8.2.2.1 External FET Selection

The DRV8702D-Q1 FET support is based on the charge-pump capacity and PWM-output frequency. For a quick calculation of FET driving capacity, use 式 3 when drive and brake (slow decay) are the primary modes of operation.

$$Q_g < \frac{I_{VCP}}{f_{(PWM)}}$$

where

- f_{PWM} is the maximum desired PWM frequency to be applied to the DRV8702D-Q1 inputs or the current chopping frequency, whichever is larger.
- I_{VCP} is the charge-pump capacity, which depends on the VM voltage. (3)

The internal current chopping frequency is at most equal to the PWM frequency as shown in 式 4.

$$f_{(PWM)} < \frac{1}{t_{off} + t_{(BLANK)}} \quad (4)$$

For example, if the VM voltage of a system is 7 V ($I_{VCP} = 8$ mA) and uses a maximum PWM frequency of 40 kHz, then the DRV8702D-Q1 device will support FETs with a Q_g up to 200 nC.

If the application requires a forced fast decay (or alternating between drive and reverse drive), use 式 5 to calculate the maximum FET driving capacity.

$$Q_g < \frac{I_{VCP}}{2 \times f_{(PWM)}} \quad (5)$$

8.2.2.2 IDRIVE Configuration

The IDRIVE current is selected based on the gate charge of the FETs. The IDRIVE pin must be configured so that the FET gates are charged entirely during the $t_{(DRIVE)}$ time. If the selected IDRIVE current is too low for a given FET, then the FET may not turn on completely. TI recommends adjusting these values in-system with the required external FETs and motor to determine the best possible setting for any application.

For FETs with a known gate-to-drain charge (Q_{gd}) and desired rise time (t_r), the IDRIVE current can be selected based on the 式 6.

$$I_{DRIVE} > \frac{Q_{gd}}{t_r} \quad (6)$$

If the gate-to-drain charge is 2.3 nC and the desired rise time is around 100 to 300 ns, use 式 7 to calculate the minimum IDRIVE (I_{DRIVE1}) and 式 8 to calculate the maximum IDRIVE (I_{DRIVE2}).

$$I_{DRIVE1} = 8.4 \text{ nC} / 100 \text{ ns} = 84 \text{ mA} \quad (7)$$

$$I_{DRIVE2} = 8.4 \text{ nC} / 300 \text{ ns} = 28 \text{ mA} \quad (8)$$

Select a value for IDRIVE between 28 and 84 mA. An IDRIVE value of approximately 50 mA for the source (approximately 100 mA sink) was selected for this application. This value requires a 200-k Ω resistor from the IDRIVE pin to ground.

8.2.2.3 VDS Configuration

The VDS monitor threshold voltage, $V_{DS(OCF)}$, is configured based on the maximum current, I_{VDS} , and $R_{DS(on)}$ of the FETs. The drain to source voltage, V_{DSFET} , is the maximum current, I_{VDS} , multiplied by the $R_{DS(on)}$ of the FET.

The VDS pin of the DRV8702D-Q1 selects the VDS monitor trip threshold, $V_{DS(OCF)}$. The VDS bits in the VDS register of the DRV8703D-Q1 selects the $V_{DS(OCF)}$ voltage. Use 式 9 to calculate the trip current.

$$I_{VDS} > \frac{V_{DSFET}}{R_{DS(on)}} \quad (9)$$

If the $R_{DS(on)}$ of the FET is 1.8 m Ω and the desired maximum current is less than 100 A, the V_{DSFET} voltage is equal to 180 mV as shown in 式 10.

For this example, select a value for the $V_{DS(OCF)}$ that is less than 180 mV. A $V_{DS(OCF)}$ value of 0.12 V was selected for this application.

To set the $V_{DS(OCF)}$ to 0.12 V, use the SPI (DRV8703D-Q1 Only) or place a 33k resistor at the VDS pin to ground (DRV8702D-Q1 Only).

The VDS pin can configured to select other $V_{DS(OCF)}$ threshold voltages. See the [VDS Pin \(DRV8702D-Q1 Only\)](#) section for more information on VDS operation.

$$V_{DSFET} = I_{VDS} \times R_{DS(on)} = 100 \text{ A} \times 1.8 \text{ m}\Omega = 180 \text{ mV} \quad (10)$$

8.2.2.4 Current Chopping Configuration

The chopping current is set based on the sense resistor value and the analog voltage at the VREF pin. Use 式 11 to calculate the current ($I_{(CHOP)}$). The amplifier gain, A_V , is 19.8 V/V for the DRV8702D-Q1 and V_{IO} is typically 5 mV (input referred).

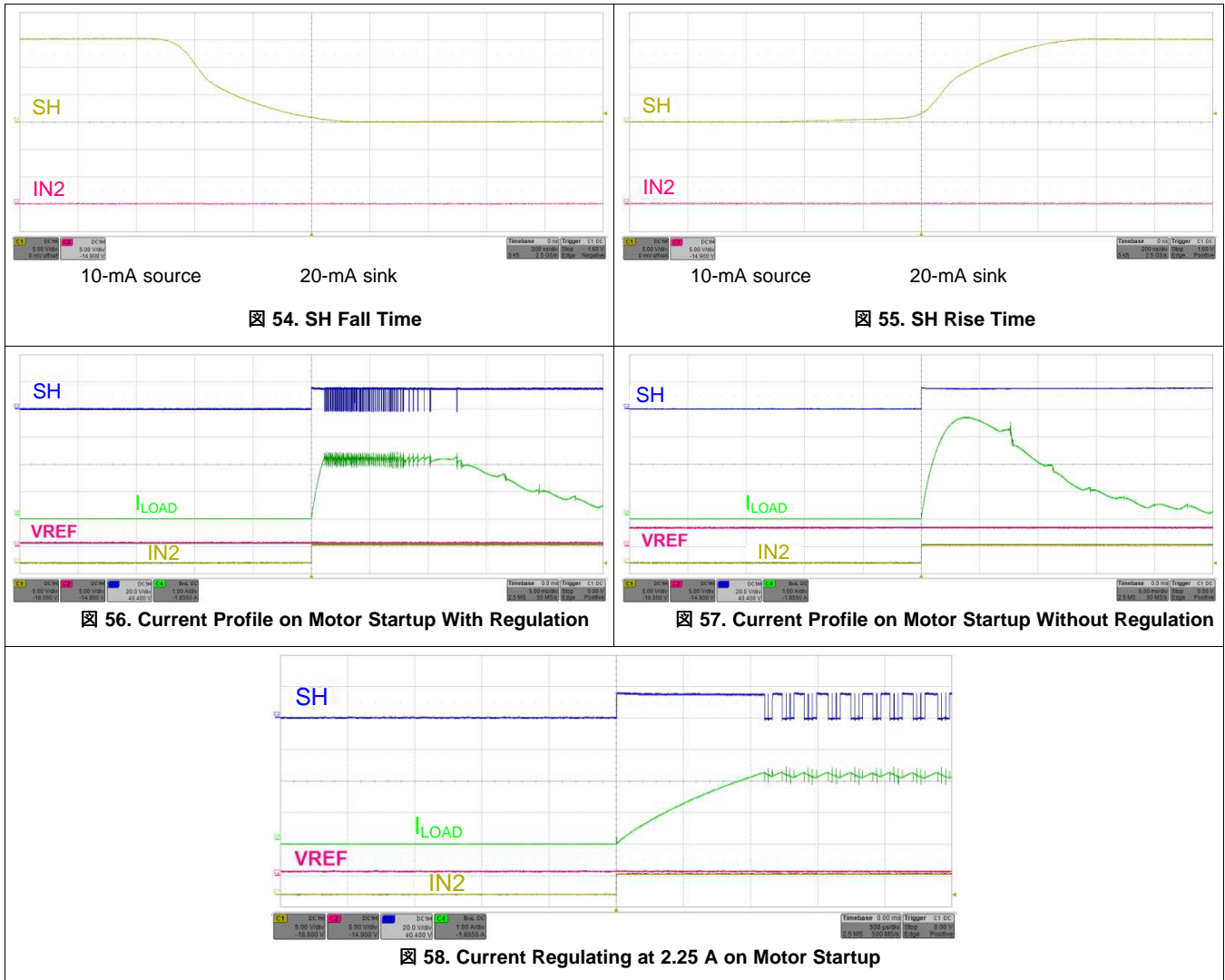
$$I_{(CHOP)} = \frac{V_{VREF} - V_{IO} \times A_V}{A_V \times R_{(SENSE)}} \quad (11)$$

For example, if the desired chopping current is 15 A, select a value of 10 m Ω for $R_{(SENSE)}$. The value of V_{VREF} must therefore be 2.975 V. Add a resistor divider from the AVDD (5 V) pin to set the V_{VREF} at approximately 2.975 V. Select a value of 13 k Ω for R2 and 19.1 k Ω for R1 (the VREF resistor).

If current chopping is not required, the sense resistor can be removed and the source of the low side FET can be connected to ground.

SN and SP should be connected to the source of the low side FET and VREF should be connected to AVDD

8.2.3 Application Curves



9 Power Supply Recommendations

The DRV8702D-Q1 device is designed to operate with an input voltage supply (VM) range from 5.5 V to 45 V. A 0.1- μ F ceramic capacitor rated for VM must be placed as close to the DRV8702D-Q1 device as possible. Also, a bulk capacitor valued at least 10 μ F must be placed on the VM pin.

Additional bulk capacitance is required to bypass the external half-bridge FETs.

9.1 Bulk Capacitance Sizing

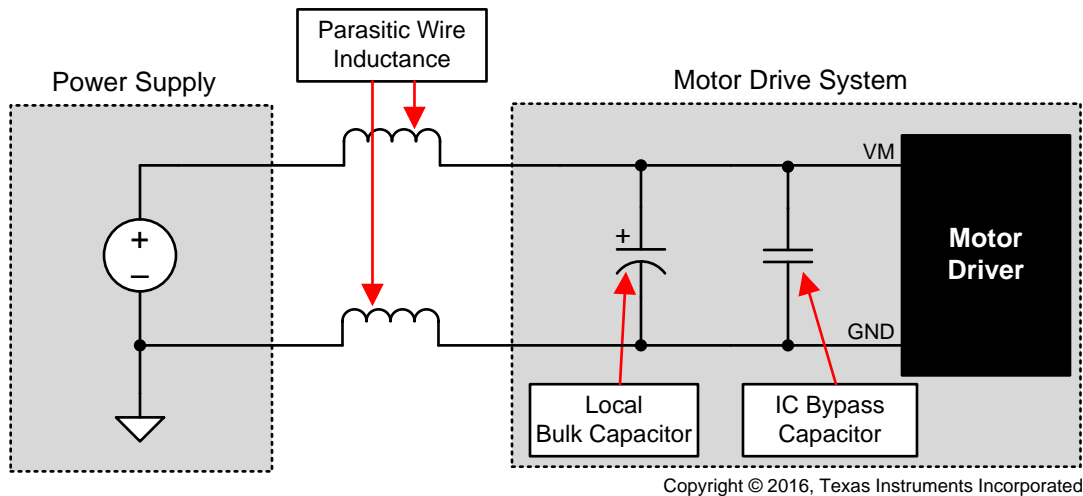
Bulk capacitance sizing is an important factor in motor drive system design. It is beneficial to have more bulk capacitance, while the disadvantages are increased cost and physical size.

The amount of local capacitance needed depends on a variety of factors including:

- The highest current required by the motor system.
- The capacitance of the power supply and the ability of the power supply to source current.
- The amount of parasitic inductance between the power supply and motor system.
- The acceptable voltage ripple.
- The type of motor used (brushed DC, brushless DC, and stepper).
- The motor braking method.

The inductance between the power supply and motor drive system limits the rate that current can change from the power supply. If the local bulk capacitance is too small, the system responds to excessive current demands or dumps from the motor with a change in voltage. When sufficient bulk capacitance is used, the motor voltage remains stable, and high current can be quickly supplied.

The data sheet provides a recommended value, but system-level testing is required to determine the appropriate sized bulk capacitor.



☒ 59. Example Setup of Motor Drive System With External Power Supply

The voltage rating for bulk capacitors should be higher than the operating voltage to provide a margin for cases when the motor transfers energy to the supply.

10 Layout

10.1 Layout Guidelines

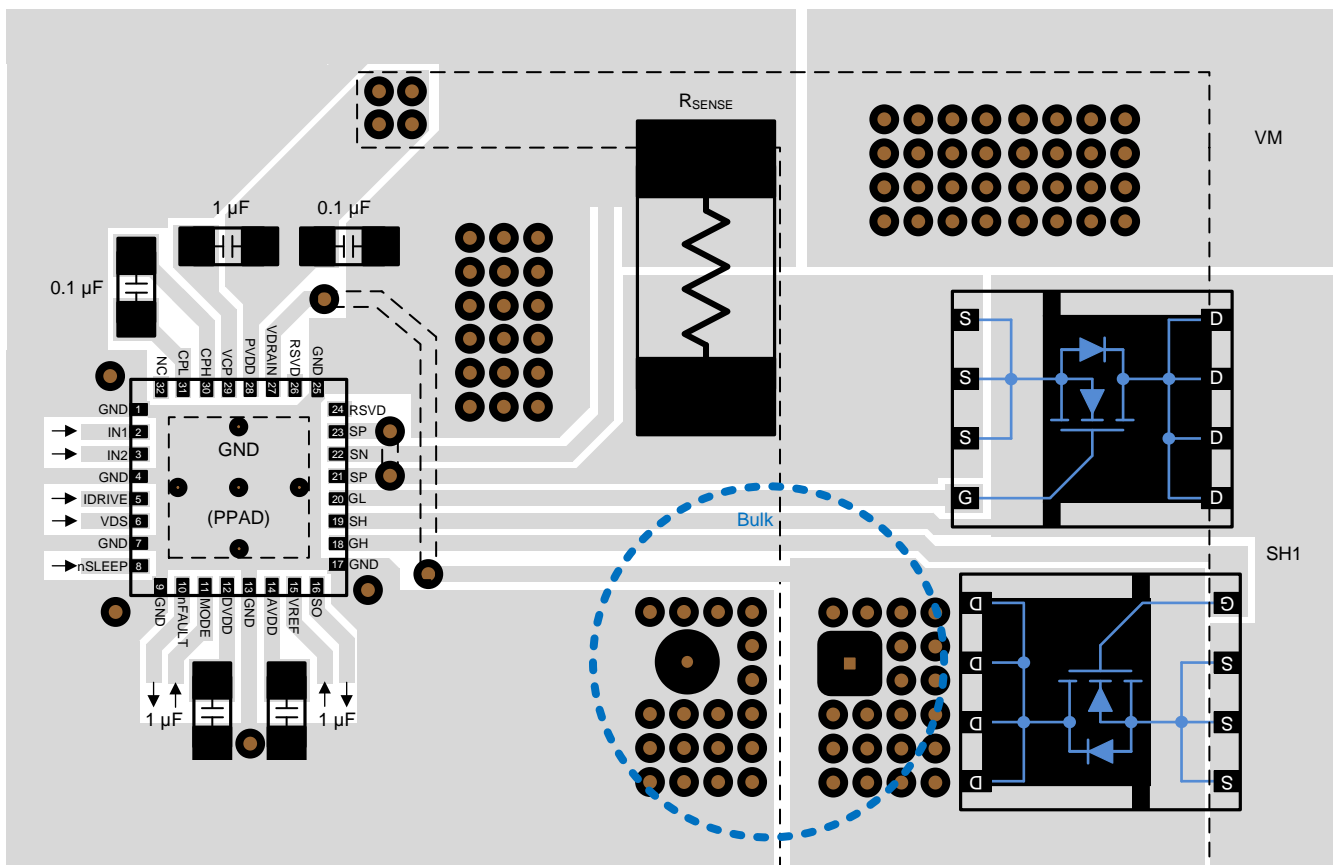
The VM pin should be bypassed to ground using a low-ESR ceramic bypass capacitor with a recommended value of 0.1 μF rated for VM. This capacitor should be placed as close to the VM pin as possible with a thick trace or ground-plane connection to the GND pin of the device. The VM pin must also be bypassed to ground using a bulk capacitor rated for VM. This capacitor can be electrolytic and must be at least 10 μF .

A low-ESR ceramic capacitor must be placed between the CPL and CPH pins. A value of 0.1 μF rated for VM is recommended. Place this capacitor as close to the pins as possible. A low-ESR ceramic capacitor must be placed in between the VM and VCP pins. A value of 1 μF rated for 16 V is recommended. Place this component as close to the pins as possible.

Bypass the AVDD and DVDD pins to ground with ceramic capacitors rated for 6.3 V. Place these bypassing capacitors as close to the pins as possible.

Use separate traces to connect the SP and SN pins to the $R_{(\text{SENSE})}$ resistor.

10.2 Layout Example



☒ 60. DRV8702D-Q1 Layout Example

11 デバイスおよびドキュメントのサポート

11.1 ドキュメントのサポート

11.1.1 関連資料

関連資料については、以下を参照してください。

- テキサス・インスツルメンツ、『[DRV8702-Q1 EVMユーザー・ガイド](#)』
- テキサス・インスツルメンツ、『[DRV8703-Q1 EVMユーザー・ガイド](#)』
- テキサス・インスツルメンツ、『[占有面積の小さいモータ・ドライブのサンルーフ・モジュール設計ガイド](#)』
- テキサス・インスツルメンツ、『[TIスマート・ゲート・ドライブによるモータ・ドライブの保護](#)』TI TechNote
- テキサス・インスツルメンツ、『[TIスマート・ゲート・ドライブによるモータ・ドライブのBOMとPCB面積の削減](#)』TI TechNote
- テキサス・インスツルメンツ、『[TIスマート・ゲート・ドライブによる放射電磁雑音\(EMI\)の低減](#)』TI TechNote
- テキサス・インスツルメンツ、『[車載用アプリケーションにおけるブラシ付きDCモータ・ドライブのリレーの置換](#)』アプリケーション・レポート
- テキサス・インスツルメンツ、『[TI製スマート・ゲート・ドライブでのIDRIVEおよびTDRIVEについて](#)』

11.2 関連リンク

次の表に、クイック・アクセス・リンクを示します。カテゴリには、技術資料、サポートおよびコミュニティ・リソース、ツールとソフトウェア、およびサンプル注文またはご購入へのクイック・アクセスが含まれます。

表 24. 関連リンク

製品	プロダクト・フォルダ	ご注文はこちら	技術資料	ツールとソフトウェア	サポートとコミュニティ
DRV8702D-Q1	ここをクリック	ここをクリック	ここをクリック	ここをクリック	ここをクリック
DRV8703D-Q1	ここをクリック	ここをクリック	ここをクリック	ここをクリック	ここをクリック

11.3 ドキュメントの更新通知を受け取る方法

ドキュメントの更新についての通知を受け取るには、ti.comのデバイス製品フォルダを開いてください。右上の「アラートを受け取る」をクリックして登録すると、変更されたすべての製品情報に関するダイジェストを毎週受け取れます。変更の詳細については、修正されたドキュメントに含まれている改訂履歴をご覧ください。

11.4 コミュニティ・リソース

The following links connect to TI community resources. Linked contents are provided "AS IS" by the respective contributors. They do not constitute TI specifications and do not necessarily reflect TI's views; see TI's [Terms of Use](#).

TI E2E™オンライン・コミュニティ *TIのE2E (Engineer-to-Engineer)* コミュニティ。エンジニア間の共同作業を促進するために開設されたものです。e2e.ti.comでは、他のエンジニアに質問し、知識を共有し、アイデアを検討して、問題解決に役立てることができます。

設計サポート *TIの設計サポート* 役に立つE2Eフォーラムや、設計サポート・ツールをすばやく見つけることができます。技術サポート用の連絡先情報も参照できます。

11.5 商標

E2E is a trademark of Texas Instruments.

All other trademarks are the property of their respective owners.

11.6 静電気放電に関する注意事項



すべての集積回路は、適切なESD保護方法を用いて、取扱いと保存を行うようにして下さい。

静電気放電はわずかな性能の低下から完全なデバイスの故障に至るまで、様々な損傷を与えます。高精度の集積回路は、損傷に対して敏感であり、極めてわずかなパラメータの変化により、デバイスに規定された仕様に適合しなくなる場合があります。

11.7 Glossary

[SLYZ022](#) — *TI Glossary*.

This glossary lists and explains terms, acronyms, and definitions.

12 メカニカル、パッケージ、および注文情報

以降のページには、メカニカル、パッケージ、および注文に関する情報が記載されています。この情報は、そのデバイスについて利用可能な最新のデータです。このデータは予告なく変更されることがあり、ドキュメントが改訂される場合もあります。本データシートのブラウザ版を使用されている場合は、画面左側の説明をご覧ください。

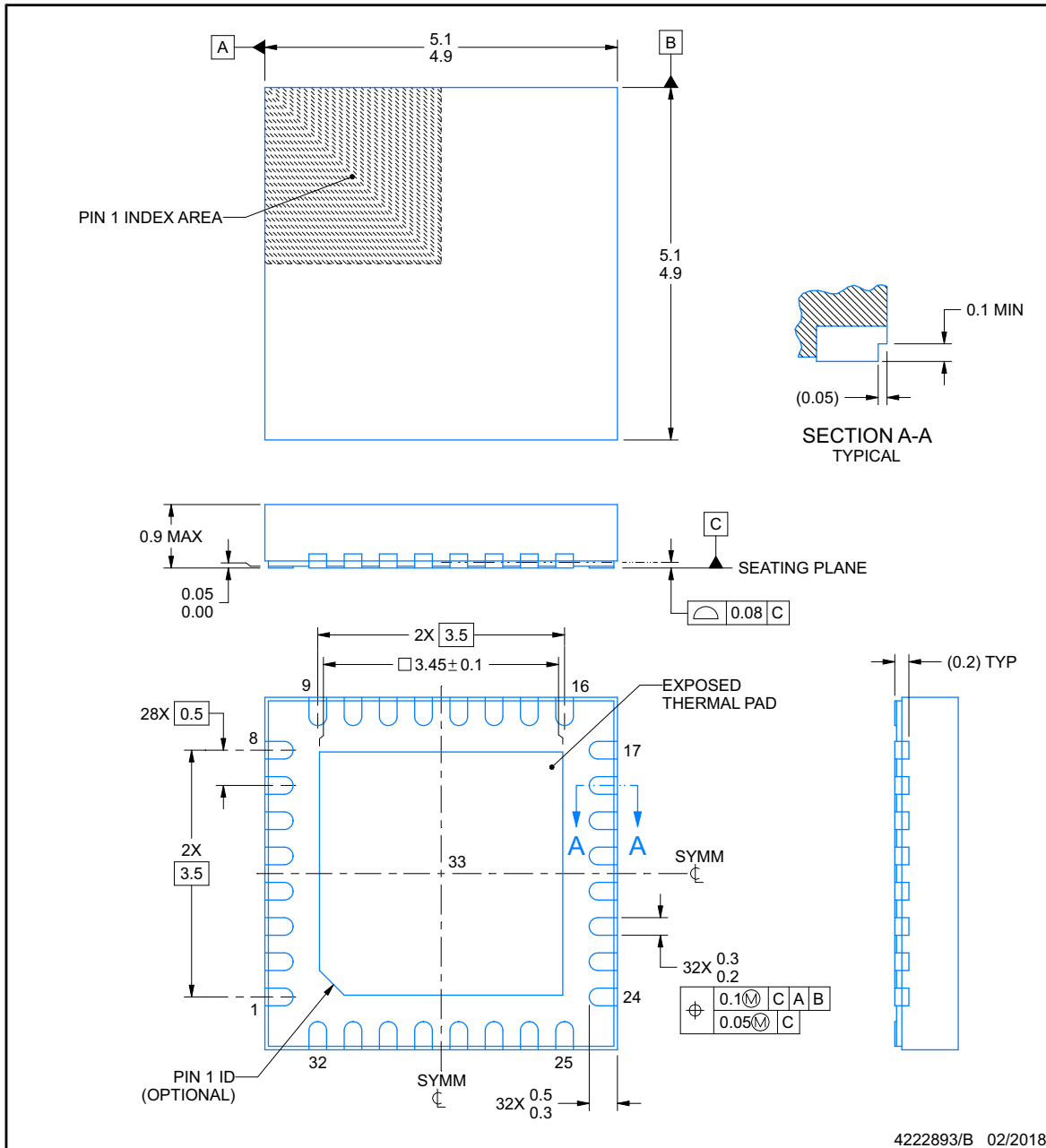


RHB0032N

PACKAGE OUTLINE

VQFN - 0.9 mm max height

PLASTIC QUAD FLATPACK - NO LEAD



NOTES:

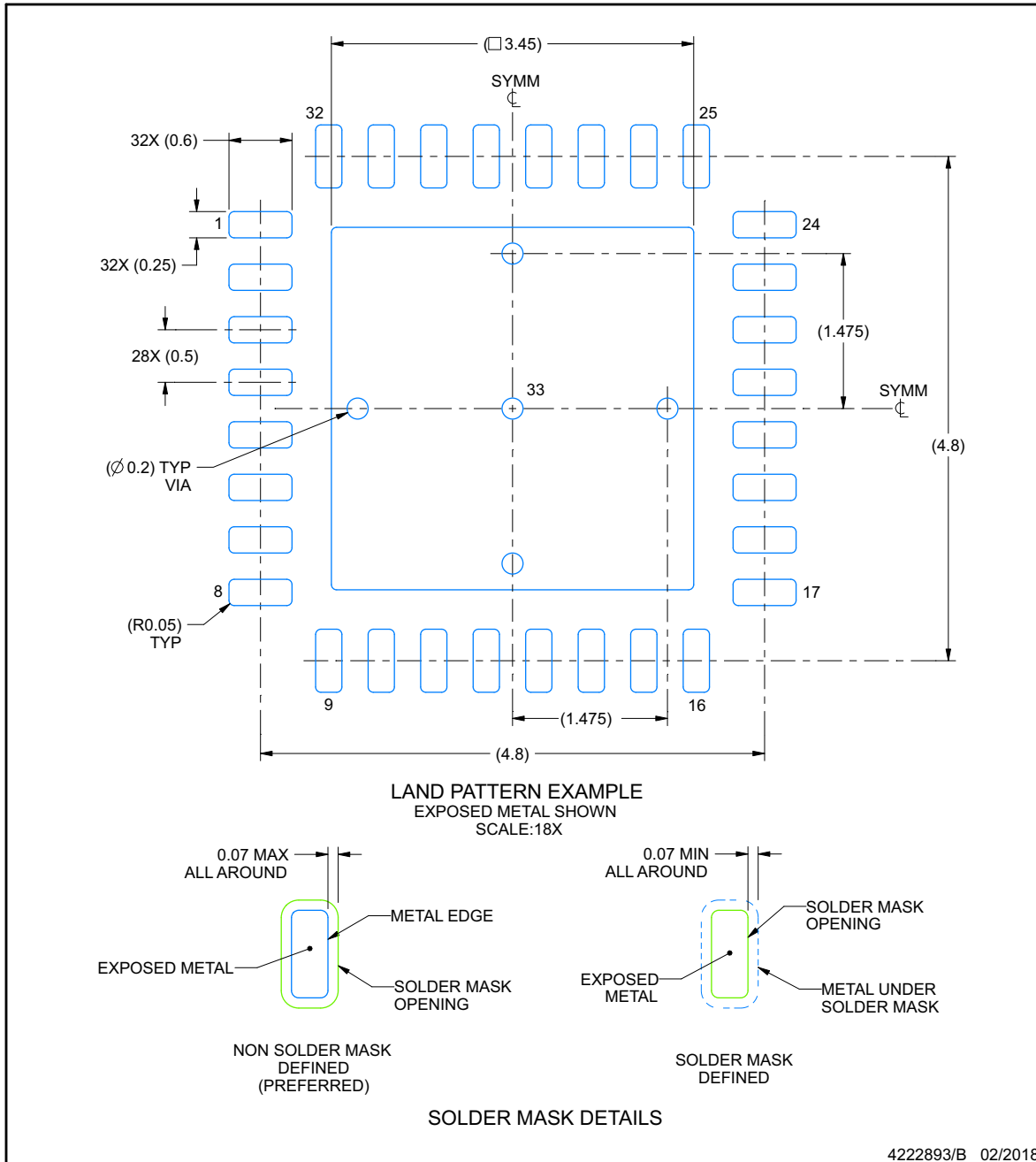
1. All linear dimensions are in millimeters. Any dimensions in parenthesis are for reference only. Dimensioning and tolerancing per ASME Y14.5M.
2. This drawing is subject to change without notice.
3. The package thermal pad must be soldered to the printed circuit board for thermal and mechanical performance.

EXAMPLE BOARD LAYOUT

RHB0032N

VQFN - 0.9 mm max height

PLASTIC QUAD FLATPACK - NO LEAD



NOTES: (continued)

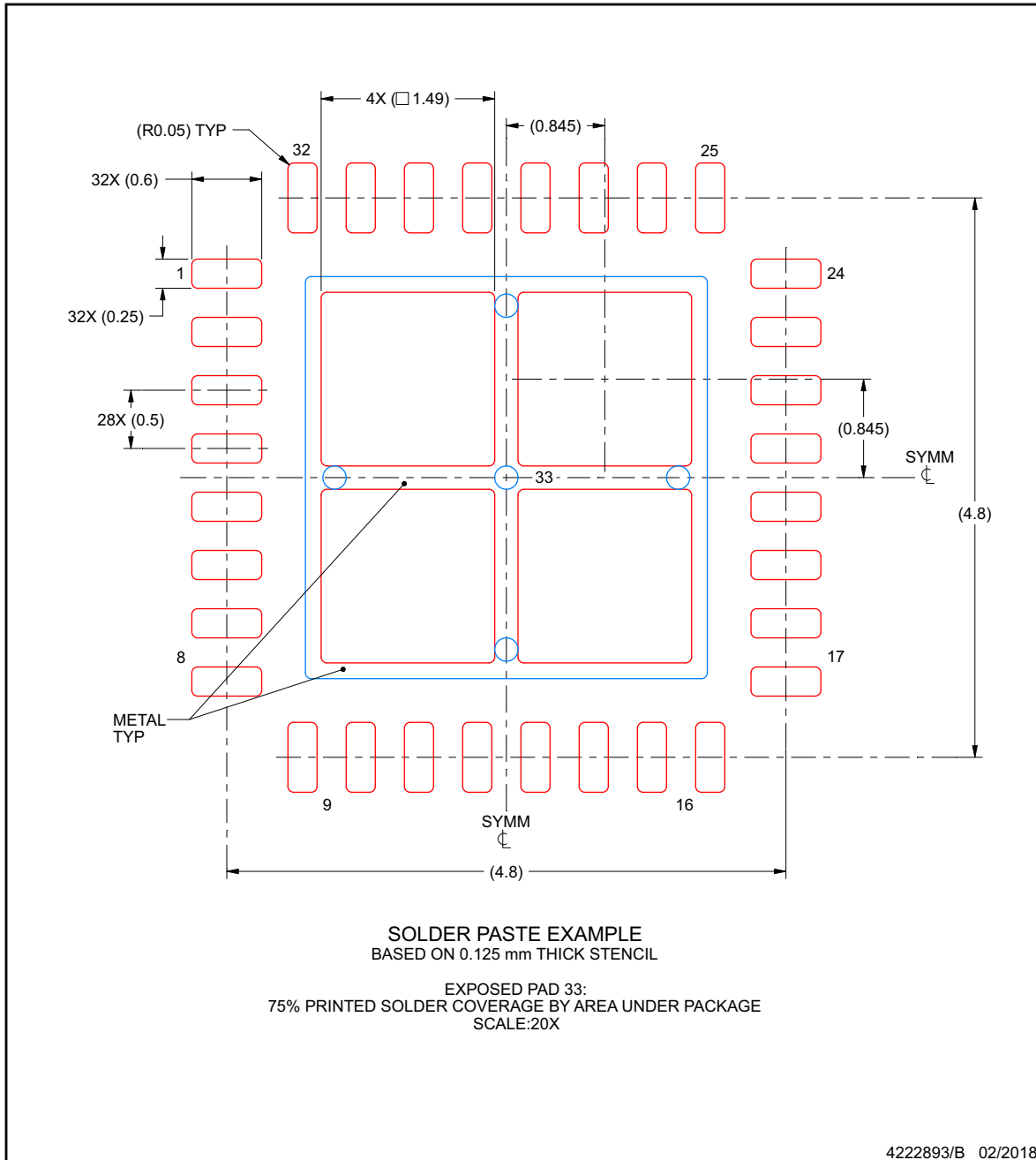
4. This package is designed to be soldered to a thermal pad on the board. For more information, see Texas Instruments literature number SLUA271 (www.ti.com/lit/slua271).
5. Vias are optional depending on application, refer to device data sheet. If any vias are implemented, refer to their locations shown on this view. It is recommended that vias under paste be filled, plugged or tented.

EXAMPLE STENCIL DESIGN

RHB0032N

VQFN - 0.9 mm max height

PLASTIC QUAD FLATPACK - NO LEAD



NOTES: (continued)

6. Laser cutting apertures with trapezoidal walls and rounded corners may offer better paste release. IPC-7525 may have alternate design recommendations.

PACKAGING INFORMATION

Orderable part number	Status (1)	Material type (2)	Package Pins	Package qty Carrier	RoHS (3)	Lead finish/ Ball material (4)	MSL rating/ Peak reflow (5)	Op temp (°C)	Part marking (6)
DRV8702DQRHBRQ1	Active	Production	VQFN (RHB) 32	3000 LARGE T&R	Yes	NIPDAU SN	Level-3-260C-168 HR	-40 to 125	8702D
DRV8702DQRHBRQ1.A	Active	Production	VQFN (RHB) 32	3000 LARGE T&R	Yes	SN	Level-3-260C-168 HR	-40 to 125	8702D
DRV8702DQRHBTQ1	Obsolete	Production	VQFN (RHB) 32	-	-	Call TI	Call TI	-40 to 125	8702D
DRV8703DQRHBRQ1	Active	Production	VQFN (RHB) 32	3000 LARGE T&R	Yes	NIPDAU SN	Level-3-260C-168 HR	-40 to 125	8703D
DRV8703DQRHBRQ1.A	Active	Production	VQFN (RHB) 32	3000 LARGE T&R	Yes	SN	Level-3-260C-168 HR	-40 to 125	8703D
DRV8703DQRHBTQ1	Obsolete	Production	VQFN (RHB) 32	-	-	Call TI	Call TI	-40 to 125	8703D

(1) Status: For more details on status, see our [product life cycle](#).

(2) Material type: When designated, preproduction parts are prototypes/experimental devices, and are not yet approved or released for full production. Testing and final process, including without limitation quality assurance, reliability performance testing, and/or process qualification, may not yet be complete, and this item is subject to further changes or possible discontinuation. If available for ordering, purchases will be subject to an additional waiver at checkout, and are intended for early internal evaluation purposes only. These items are sold without warranties of any kind.

(3) RoHS values: Yes, No, RoHS Exempt. See the [TI RoHS Statement](#) for additional information and value definition.

(4) Lead finish/Ball material: Parts may have multiple material finish options. Finish options are separated by a vertical ruled line. Lead finish/Ball material values may wrap to two lines if the finish value exceeds the maximum column width.

(5) MSL rating/Peak reflow: The moisture sensitivity level ratings and peak solder (reflow) temperatures. In the event that a part has multiple moisture sensitivity ratings, only the lowest level per JEDEC standards is shown. Refer to the shipping label for the actual reflow temperature that will be used to mount the part to the printed circuit board.

(6) Part marking: There may be an additional marking, which relates to the logo, the lot trace code information, or the environmental category of the part.

Multiple part markings will be inside parentheses. Only one part marking contained in parentheses and separated by a "~" will appear on a part. If a line is indented then it is a continuation of the previous line and the two combined represent the entire part marking for that device.

Important Information and Disclaimer: The information provided on this page represents TI's knowledge and belief as of the date that it is provided. TI bases its knowledge and belief on information provided by third parties, and makes no representation or warranty as to the accuracy of such information. Efforts are underway to better integrate information from third parties. TI has taken and continues to take reasonable steps to provide representative and accurate information but may not have conducted destructive testing or chemical analysis on incoming materials and chemicals. TI and TI suppliers consider certain information to be proprietary, and thus CAS numbers and other limited information may not be available for release.

In no event shall TI's liability arising out of such information exceed the total purchase price of the TI part(s) at issue in this document sold by TI to Customer on an annual basis.

TAPE AND REEL INFORMATION

QUADRANT ASSIGNMENTS FOR PIN 1 ORIENTATION IN TAPE


*All dimensions are nominal

Device	Package Type	Package Drawing	Pins	SPQ	Reel Diameter (mm)	Reel Width W1 (mm)	A0 (mm)	B0 (mm)	K0 (mm)	P1 (mm)	W (mm)	Pin1 Quadrant
DRV8702DQRHBRQ1	VQFN	RHB	32	3000	330.0	12.4	5.3	5.3	1.1	8.0	12.0	Q2
DRV8703DQRHBRQ1	VQFN	RHB	32	3000	330.0	12.4	5.3	5.3	1.1	8.0	12.0	Q2

TAPE AND REEL BOX DIMENSIONS


*All dimensions are nominal

Device	Package Type	Package Drawing	Pins	SPQ	Length (mm)	Width (mm)	Height (mm)
DRV8702DQRHBRQ1	VQFN	RHB	32	3000	367.0	367.0	35.0
DRV8703DQRHBRQ1	VQFN	RHB	32	3000	367.0	367.0	35.0

重要なお知らせと免責事項

TI は、技術データと信頼性データ(データシートを含みます)、設計リソース(リファレンス デザインを含みます)、アプリケーションや設計に関する各種アドバイス、Web ツール、安全性情報、その他のリソースを、欠陥が存在する可能性のある「現状のまま」提供しており、商品性および特定目的に対する適合性の黙示保証、第三者の知的財産権の非侵害保証を含むいかなる保証も、明示的または黙示的にかかわらず拒否します。

これらのリソースは、TI 製品を使用する設計の経験を積んだ開発者への提供を意図したものです。(1) お客様のアプリケーションに適した TI 製品の選定、(2) お客様のアプリケーションの設計、検証、試験、(3) お客様のアプリケーションに該当する各種規格や、その他のあらゆる安全性、セキュリティ、規制、または他の要件への確実な適合に関する責任を、お客様のみが単独で負うものとし、

上記の各種リソースは、予告なく変更される可能性があります。これらのリソースは、リソースで説明されている TI 製品を使用するアプリケーションの開発の目的でのみ、TI はその使用をお客様に許諾します。これらのリソースに関して、他の目的で複製することや掲載することは禁止されています。TI や第三者の知的財産権のライセンスが付与されている訳ではありません。お客様は、これらのリソースを自身で使用した結果発生するあらゆる申し立て、損害、費用、損失、責任について、TI およびその代理人を完全に補償するものとし、TI は一切の責任を拒否します。

TI の製品は、[TI の販売条件](#)、[TI の総合的な品質ガイドライン](#)、[ti.com](#) または TI 製品などに関連して提供される他の適用条件に従い提供されます。TI がこれらのリソースを提供することは、適用される TI の保証または他の保証の放棄の拡大や変更を意味するものではありません。TI がカスタム、またはカスタマー仕様として明示的に指定していない限り、TI の製品は標準的なカタログに掲載される汎用機器です。

お客様がいかなる追加条項または代替条項を提案する場合も、TI はそれらに異議を唱え、拒否します。

Copyright © 2025, Texas Instruments Incorporated

最終更新日：2025 年 10 月