

DS32EL0421 , DS32ELX0421 125 - 312.5 MHz FPGA-Link Serializer with DDR LVDS Parallel Interface

Check for Samples: [DS32EL0421](#), [DS32ELX0421](#)

FEATURES

- 5-bit DDR LVDS Parallel Data Interface
- Programmable Transmit De-emphasis
- Configurable Output Levels (V_{OD})
- Selectable DC-balanced Encoder
- Selectable Data Scrambler
- Remote Sense for Automatic Detection and Negotiation of Link Status
- On Chip LC VCOs
- Redundant Serial Output (ELX device only)
- Data Valid Signaling to Assist with Synchronization of Multiple Receivers
- Supports AC- and DC-coupled Signaling
- Integrated CML and LVDS Terminations
- Configurable PLL Loop Bandwidth
- Programmable Output Termination (50Ω or 75Ω).
- Built-in Test Pattern Generator
- Loss of Lock and Error Reporting
- Configurable via SMBus
- 48-pin WQFN Package with Exposed DAP

TARGET APPLICATIONS

- Imaging: Industrial, Medical Security, Printers
- Displays: LED Walls, Commercial
- Video Transport
- Communication Systems
- Test and Measurement
- Industrial Bus

KEY SPECIFICATIONS

- 1.25 to 3.125 Gbps Serial Data Rate
- 125 to 312.5 MHz DDR Parallel Clock
- -40° to $+85^{\circ}\text{C}$ Temperature Range
- >8 kV ESD (HBM) Protection
- Low Intrinsic Jitter — 35ps at 3.125 Gbps

DESCRIPTION

The DS32EL0421/DS32ELX0421 is a 125 MHz to 312.5 MHz (DDR) serializer for high-speed serial transmission over FR-4 printed circuit board backplanes, balanced cables, and optical fiber. This easy-to-use chipset integrates advanced signal and clock conditioning functions, with an FPGA friendly interface.

The DS32EL0421/DS32ELX0421 serializes up to 5 parallel input LVDS channels to create a maximum data payload of 3.125 Gbps. If the integrated DC-balance encoding is enabled, the maximum data payload achievable is 2.5 Gbps.

The DS32EL0421/DS32ELX0421 serializers feature remote sense capability to automatically detect and negotiate link status with its companion DS32EL0124/DS32ELX0124 deserializers without requiring an additional feedback path.

The parallel LVDS interface reduces FPGA I/O pins, board trace count and alleviates EMI issues, when compared to traditional single-ended wide bus interfaces.

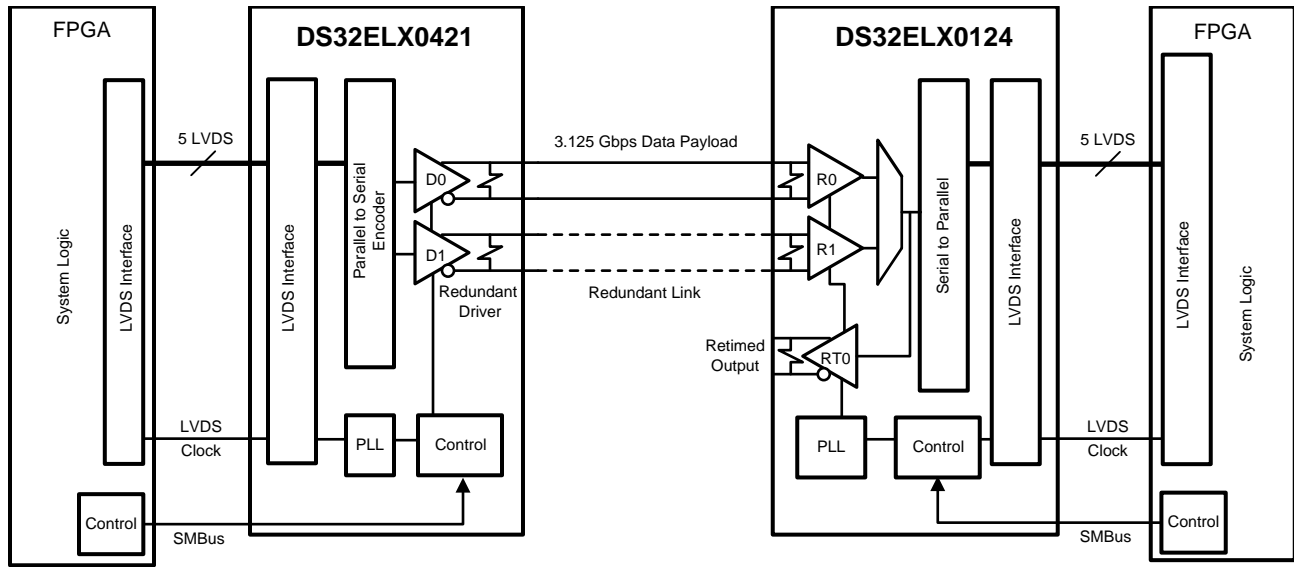
The DS32EL0421/DS32ELX0421 is programmable through a SMBus interface as well as through control pins.



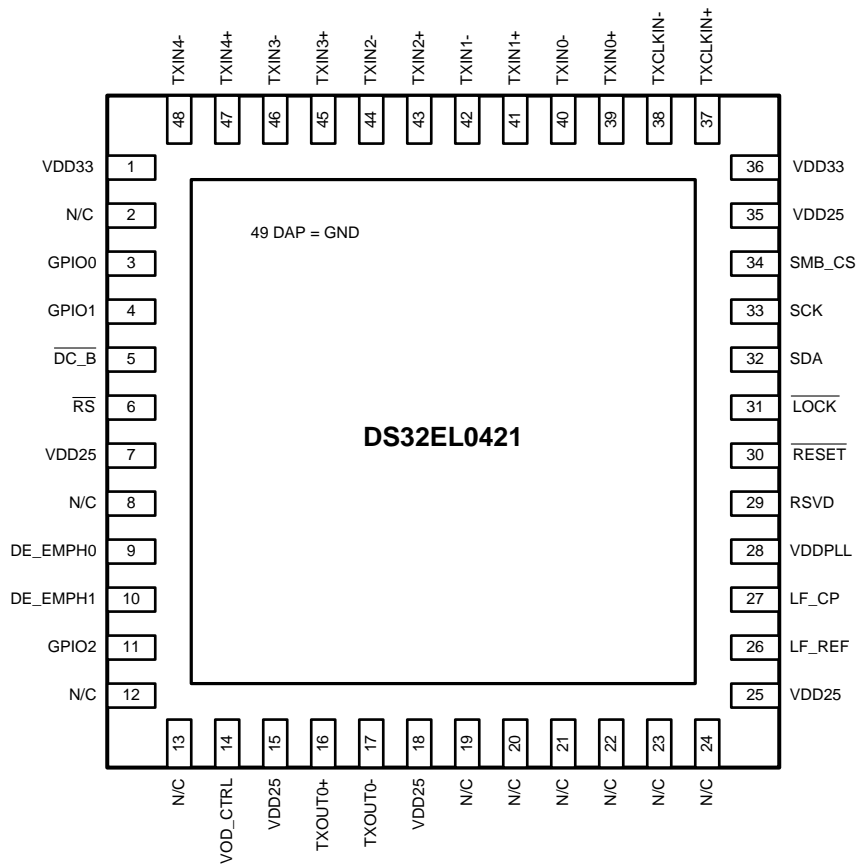
Please be aware that an important notice concerning availability, standard warranty, and use in critical applications of Texas Instruments semiconductor products and disclaimers thereto appears at the end of this data sheet.

All trademarks are the property of their respective owners.

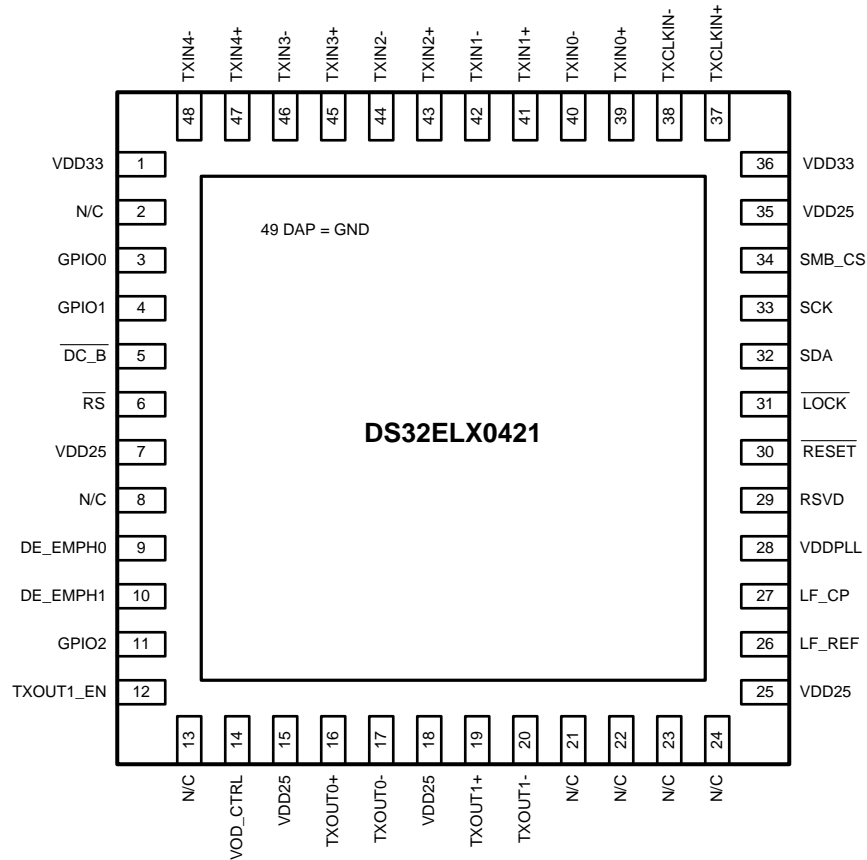
Typical Application



Connection Diagram



See Package Number RHS0048A
TOP VIEW



**See Package Number RHS0048A
TOP VIEW**

PIN DESCRIPTIONS

| Pin Name | Pin Number | I/O, Type | Description |
|---|-------------------|-----------|---|
| Power, Ground and Analog Reference | | | |
| VDD33 | 1, 36 | I, VDD | 3.3V supply |
| VDD25 | 7, 15, 18, 25, 35 | I, VDD | 2.5V supply |
| VDDPLL | 28 | I, VDD | 3.3V supply |
| VOD_CTRL | 14 | Analog | V _{OD} control. The serializer output amplitude can be adjusted by connecting this pin to a pull-down resistor. The value of the resistor determines the VOD. See CML LAUNCH AMPLITUDE for more details. |
| LF_CP | 27 | Analog | Loop filter connection for PLL |
| LF_REF | 26 | Analog | Loop filter ground reference |
| Exposed Pad | 49 | GND | Exposed Pad must be connected to GND by 9 vias |
| CML I/O | | | |
| TxOUT0+ TxOUT0- | 16 17 | O, CML | Inverting and non-inverting high speed CML differential outputs of the serializer. These outputs are internally terminated. |
| TxOUT1+ TxOUT1- | 19 20 | O, CML | DS32ELX0421 ONLY. Redundancy output. Inverting and non-inverting high speed CML differential outputs of the serializer. These outputs are internally terminated |

PIN DESCRIPTIONS (continued)

| Pin Name | Pin Number | I/O, Type | Description |
|---------------------------------------|--|-----------------|---|
| LVDS Parallel Data Bus | | | |
| TxCLKIN+ TxCLKIN- | 37 38 | I, LVDS | Serializer input clock. TxCLKIN+/- are the inverting and non-inverting LVDS transmit clock input pins. |
| TxIN[4:0]+/- | 39, 40, 41, 42, 43, 44, 45, 46, 47, 48 | I, LVDS | Serializer input data. TxIN[4:0]+/- are the inverting and non-inverting LVDS serializer input data pins. |
| LVC MOS Control Pins | | | |
| $\overline{DC_B}$ \overline{RS} | 5 6 | I, LVC MOS | DC-balance and Remote Sense pins. See Device Configuration section DEVICE CONFIGURATION for device behavior. |
| DE_EMPH0 DE_EMPH1 | 9 10 | I, LVC MOS | DE_EMPH0, DE_EMPH1 select the output de-emphasis level. These pins are internally pull-down. 00: Off 01: Low 10: Medium 11: Maximum |
| TXOUT1_EN | 12 | I, LVC MOS | DS32ELX0421 ONLY. When held high, redundant output TxOUT1+/- is enabled. This pin must be tied high when using TxOUT1+/-. |
| \overline{RESET} | 30 | I, LVC MOS | When held low, reset the device. 0 = Device Reset 1 = Normal operation |
| \overline{LOCK} | 31 | O, LVC MOS | Lock indication output. The input data on TxIN[0:4]+/- pins is ignored when LOCK pin is high. |
| SMBus Interface | | | |
| SCK | 33 | I/O, SMBus | SMBus compatible clock. |
| SDA | 32 | I/O, SMBus | SMBus compatible data line. |
| SMB_CS | 34 | I, SMBus | SMBus chip select. When held high, SMBus management control is enabled. |
| Other | | | |
| GPIO0 | 3 | I/O, LVC MOS | Software configurable I/O pin. |
| GPIO1 | 4 | I/O, LVC MOS | Software configurable I/O pin. |
| GPIO2 | 11 | I/O, LVC MOS | Software configurable I/O pin. |
| NC | 2, 8, 12, 13, 19, 20, 21, 22, 23, 24, 29 | Misc. | No Connect, for DS32EL0421 |
| | 2, 8, 13, 21, 22, 23, 24, 29 | Misc. | No Connect, for DS32ELX0421 |



These devices have limited built-in ESD protection. The leads should be shorted together or the device placed in conductive foam during storage or handling to prevent electrostatic damage to the MOS gates.

Absolute Maximum Ratings ⁽¹⁾⁽²⁾

| | |
|-----------------------------------|------------------------------|
| Supply Voltage (3.3V V_{DD33}) | -0.3V to +4V |
| Supply Voltage (2.5V V_{DD25}) | -0.3V to +3V |
| LVC MOS Input Voltage | -0.3V to ($V_{DD} + 0.3V$) |
| LVC MOS Output Voltage | -0.3V to ($V_{DD} + 0.3V$) |
| LVDS Input Voltage (IN+, IN-) | -0.3V to +3.6V |
| CML Output Voltage | -0.3V to +3.6V |
| Junction Temperature | +125°C |
| Storage Temperature Range | -65°C to +150°C |
| Lead Temperature Range | |
| Soldering (4 sec.) | +260°C |
| Thermal Resistance, θ_{JA} | 25°C/W |
| ESD Susceptibility | |
| HBM ⁽³⁾ | >8 kV |

- (1) "Absolute Maximum Ratings" indicate limits beyond which damage to the device may occur, including inoperability and degradation of device reliability and/or performance. Functional operation of the device and/or non-degradation at the Absolute Maximum Ratings or other conditions beyond those indicated in the Recommended Operating Conditions is not implied. The Recommended Operating Conditions indicate conditions at which the device is functional and the device should not be operated beyond such conditions.
- (2) If Military/Aerospace specified devices are required, please contact the TI Sales Office/Distributors for availability and specifications.
- (3) Human Body Model, applicable std. JESD22-A114C

Recommended Operating Conditions

| | Min | Typ | Max | Units |
|---|-------|-----|-------|-------------------|
| Supply Voltage ($V_{DD33} - GND$) | 3.135 | 3.3 | 3.465 | V |
| Supply Voltage ($V_{DD25} - GND$) | 2.375 | 2.5 | 2.625 | V |
| Supply Noise Amplitude from 10 Hz to 50 MHz | | | 100 | mV _{P-P} |
| Ambient Temperature (T_A) | -40 | +25 | +85 | °C |

Power Supply Specifications

Over recommended operating supply and temperature ranges unless otherwise specified. ^{(1) (2)}

| Symbol | Parameter | Condition | Min | Typ | Max | Unit |
|------------|--|------------|-----|-----|-----|------|
| I_{DD25} | 2.5V supply current 1 Output Enabled | 1.25 Gbps | | 87 | 94 | mA |
| | | 2.5 Gbps | | 95 | 105 | |
| | | 3.125 Gbps | | 101 | 112 | |
| | 2.5V supply current 2 Outputs Enabled | 1.25 Gbps | | 126 | 135 | |
| | | 2.5 Gbps | | 136 | 145 | |
| | | 3.125 Gbps | | 142 | 152 | |
| I_{DD33} | 3.3V supply current 1 Output Enabled | 1.25 Gbps | | 74 | 85 | mA |
| | | 2.5 Gbps | | 74 | 85 | |
| | | 3.125 Gbps | | 74 | 85 | |
| | 3.3V supply current 2 Outputs Enabled | 1.25 Gbps | | 80 | 92 | |
| | | 2.5 Gbps | | 80 | 92 | |
| | | 3.125 Gbps | | 80 | 92 | |

- (1) The Electrical Characteristics tables list ensured specifications under the listed Recommended Operating Conditions except as otherwise modified or specified by the Electrical Characteristics Conditions and/or Notes. Typical specifications are estimations only and are not ensured.
- (2) Typical values represent most likely parametric norms for $V_{CC} = +3.3V$ and $T_A = +25°C$, and at the Recommended Operation Conditions at the time of product characterization and are not ensured.

Power Supply Specifications (continued)

Over recommended operating supply and temperature ranges unless otherwise specified. ^{(1) (2)}

| Symbol | Parameter | Condition | Min | Typ | Max | Unit |
|----------------|---------------------------------------|------------|-----|-----|-----|------|
| P _D | Power Consumption 1 Output Enabled | 1.25 Gbps | | 460 | 540 | mW |
| | | 2.5 Gbps | | 485 | 560 | |
| | | 3.125 Gbps | | 500 | 575 | |
| | Power Consumption 2 Output Enabled | 1.25 Gbps | | 580 | 670 | |
| | | 2.5 Gbps | | 605 | 695 | |
| | | 3.125 Gbps | | 620 | 710 | |

LVC MOS Electrical Specifications

Over recommended operating supply and temperature ranges unless otherwise specified. Applies to GPIO0, GPIO1, GPIO2, RESET, LOCK, RS, and DC_BAL. ^{(1) (2) (3)}

| Symbol | Parameter | Conditions | Min | Typ | Max | Units |
|-----------------|------------------------------|--|-----|-------|-----------------|-------|
| V _{IH} | High Level Input Voltage | | 2.0 | | V _{DD} | V |
| V _{IL} | Low Level Input Voltage | | 0 | | 0.8 | V |
| V _{OH} | High Level Output Voltage | I _{OH} = -2mA | 2.7 | 3.3 | | V |
| V _{OL} | Low Level Output Voltage | I _{OL} = 2mA | | | 0.3 | V |
| V _{CL} | Input Clamp Voltage | I _{CL} = -18mA | | -0.79 | -1.5 | V |
| I _{IN} | Input Current | V _{IN} = 0.4V, 2.5V, or V _{DD} | -35 | | 35 | μA |
| I _{OS} | Output Short Circuit Current | V _{OUT} = 0V ⁽⁴⁾ | | 42 | | mA |

- (1) The Electrical Characteristics tables list ensured specifications under the listed Recommended Operating Conditions except as otherwise modified or specified by the Electrical Characteristics Conditions and/or Notes. Typical specifications are estimations only and are not ensured.
- (2) Current into device pins is defined as positive. Current out of device pins is defined as negative. All voltages are referenced to ground except V_{OD} and ΔV_{OD}.
- (3) Typical values represent most likely parametric norms for V_{CC} = +3.3V and T_A = +25°C, and at the Recommended Operation Conditions at the time of product characterization and are not ensured.
- (4) Output short circuit current (I_{OS}) is specified as magnitude only, minus sign indicates direction only.

SMBus Electrical Specifications

Over recommended operating supply and temperature ranges unless otherwise specified. ^{(1) (2) (3)}

| Symbol | Parameter | Conditions | Min | Typ | Max | Units |
|---------------------|--------------------------------|-------------------------|-------|------|------------------|-------|
| V _{SIL} | Data, Clock Input Low Voltage | | | | 0.8 | V |
| V _{SIH} | Data, Clock Input High Voltage | | 2 | | V _{SDD} | V |
| V _{SDD} | Nominal Bus Voltage | | 2.375 | | 3.6 | V |
| i _{SLEAKB} | Input Leakage Per Bus Segment | | | ±200 | | μA |
| C _{SI} | Capacitance for SDA and SCLK | See ^{(4), (5)} | | 10 | | pF |

- (1) The Electrical Characteristics tables list ensured specifications under the listed Recommended Operating Conditions except as otherwise modified or specified by the Electrical Characteristics Conditions and/or Notes. Typical specifications are estimations only and are not ensured.
- (2) Current into device pins is defined as positive. Current out of device pins is defined as negative. All voltages are referenced to ground except V_{OD} and ΔV_{OD}.
- (3) Typical values represent most likely parametric norms for V_{CC} = +3.3V and T_A = +25°C, and at the Recommended Operation Conditions at the time of product characterization and are not ensured.
- (4) Recommended value, parameter is not tested.
- (5) Recommended maximum capacitance load per bus segment is 400 pF.

SMBus Timing Specifications

Over recommended operating supply and temperature ranges unless otherwise specified. ⁽¹⁾ ⁽²⁾

| Symbol | Parameter | Conditions | Min | Typ | Max | Units |
|--------------|--|--------------------|-----|-----|------|---------|
| t_{SMB} | Bus Operating Frequency | | 10 | | 100 | kHz |
| t_{BUF} | Bus Free Time between Stop and Start Condition | | 4.7 | | | μ s |
| $t_{HD:STA}$ | Hold time after (repeated) start condition. After this period, the first clock is generated. | | 4.0 | | | μ s |
| $t_{SU:STA}$ | Repeated Start Condition Setup Time | | 4.7 | | | μ s |
| $t_{SU:STO}$ | Stop Condition Setup Time | | 4.0 | | | μ s |
| $t_{HD:DAT}$ | Data Hold Time | | 300 | | | ns |
| $t_{SU:DAT}$ | Data Setup Time | | 250 | | | ns |
| t_{LOW} | Clock Low Time | | 4.7 | | | μ s |
| t_{HIGH} | Clock High Time | | 4.0 | | 50 | μ s |
| t_F | Clock/Data Fall Time | 20% to 80% | | | 300 | ns |
| t_R | Clock/Data Rise Time | | | | 1000 | ns |
| $t_{SU:CS}$ | SMB_CS Setup Time | | | 30 | | ns |
| t_{POR} | Time in which the device must be operation after power on | See ⁽³⁾ | | | 500 | ms |

- (1) The Electrical Characteristics tables list ensured specifications under the listed Recommended Operating Conditions except as otherwise modified or specified by the Electrical Characteristics Conditions and/or Notes. Typical specifications are estimations only and are not ensured.
- (2) Typical values represent most likely parametric norms for $V_{CC} = +3.3V$ and $T_A = +25^\circ C$, and at the Recommended Operation Conditions at the time of product characterization and are not ensured.
- (3) Parameter is ensured by characterization and is not tested at production.

LVDS Electrical Specifications

Over recommended operating supply and temperature ranges unless otherwise specified. ⁽¹⁾ ⁽²⁾ ⁽³⁾

| Symbol | Parameter | Conditions | Min | Typ | Max | Units |
|------------|-----------------------------------|---|------|-----|-------------------|-------------------|
| V_{TH} | Differential Input High Threshold | $0.05V < V_{LVCM} < V_{DD25} - 0.05V$ | | | +100 | mV |
| V_{TL} | Differential Input Low Threshold | | -100 | | | mV |
| V_{LVCM} | LVDS Input Common Mode Voltage | | 0.05 | | $V_{DD25} - 0.05$ | V |
| V_{LVOS} | LVDS Input Loss of Signal | LVDS input loss of signal level. See ⁽⁴⁾ | | 20 | | mV _{P-P} |
| R_{LVIN} | Input Impedance | Internal LVDS input termination between differential pairs. | 85 | 100 | 115 | Ω |

- (1) The Electrical Characteristics tables list ensured specifications under the listed Recommended Operating Conditions except as otherwise modified or specified by the Electrical Characteristics Conditions and/or Notes. Typical specifications are estimations only and are not ensured.
- (2) Current into device pins is defined as positive. Current out of device pins is defined as negative. All voltages are referenced to ground except V_{OD} and ΔV_{OD} .
- (3) Typical values represent most likely parametric norms for $V_{CC} = +3.3V$ and $T_A = +25^\circ C$, and at the Recommended Operation Conditions at the time of product characterization and are not ensured.
- (4) If input LVDS signal is below 20mV_{P-P}, loss of signal (LOS) is detected. The device will flag a valid input signal if the signal level is above 100mV_{P-P}.

LVDS Timing Specifications

Over recommended operating supply and temperature ranges unless otherwise specified. ⁽¹⁾ ⁽²⁾

| Symbol | Parameter | Conditions | Min | Typ | Max | Units |
|-----------|---|------------------------------|-----|-----|-------|-------|
| f | Input DDR Clock (TxCLKIN) Frequency Range | | 125 | | 312.5 | MHz |
| t_{CIP} | TxCLKIN Period | See Figure 3 | 3.2 | 2T | 8 | ns |

- (1) The Electrical Characteristics tables list ensured specifications under the listed Recommended Operating Conditions except as otherwise modified or specified by the Electrical Characteristics Conditions and/or Notes. Typical specifications are estimations only and are not ensured.
- (2) Typical values represent most likely parametric norms for $V_{CC} = +3.3V$ and $T_A = +25^\circ C$, and at the Recommended Operation Conditions at the time of product characterization and are not ensured.

LVDS Timing Specifications (continued)

Over recommended operating supply and temperature ranges unless otherwise specified. ⁽¹⁾ ⁽²⁾

| Symbol | Parameter | Conditions | Min | Typ | Max | Units |
|-------------------|----------------------------------|--|------|-----|------|-------|
| t _{CIT} | TxCLKIN Transition Time | See Figure 2 | 0.5 | 1.0 | 3.0 | ns |
| t _{XIT} | TxIN Transition Time | See ⁽³⁾ | 0.15 | | 3 | ns |
| t _{CIH} | TxCLKIN High Time | See Figure 3 | 0.7T | T | 1.3T | ns |
| t _{CIL} | TxCLKIN Low Time | | 0.7T | T | 1.3T | ns |
| t _{STC} | TxIN Setup to TxCLKIN | | -550 | | | ps |
| t _{HTC} | TxIN Hold to TxCLKIN | | 900 | | | ps |
| t _{LVDS} | LVDS Input Clock Delay Step Size | Programmable through the SMBus, register 30'h Default setting = 011'b [7:5] | | 100 | | ps |

⁽³⁾ Parameter is ensured by characterization and is not tested at production.

CML Electrical Specifications

Over recommended operating supply and temperature ranges unless otherwise specified. ⁽¹⁾ ⁽²⁾ ⁽³⁾

| Symbol | Parameter | Conditions | Min | Typ | Max | Units |
|------------------|--|---|------|------|------|-------------------|
| R _{OT} | Output Terminations | On chip termination from TxOUT0/1 + and TxOUT0/1 - to V _{DD25} 50Ω mode | 40 | 50 | 60 | Ω |
| | | 75Ω mode | 60 | 75 | 90 | Ω |
| ΔR _{OT} | Mismatch in Output Termination Resistors | | | | 5 | % |
| V _{OD} | Output Differential Voltage Swing | Based on VOD_CTRL = 9.1 kΩ | 1175 | 1350 | 1450 | mV _{P-P} |

- The Electrical Characteristics tables list ensured specifications under the listed Recommended Operating Conditions except as otherwise modified or specified by the Electrical Characteristics Conditions and/or Notes. Typical specifications are estimations only and are not ensured.
- Current into device pins is defined as positive. Current out of device pins is defined as negative. All voltages are referenced to ground except V_{OD} and ΔV_{OD}.
- Typical values represent most likely parametric norms for V_{CC} = +3.3V and T_A = +25°C, and at the Recommended Operation Conditions at the time of product characterization and are not ensured.

CML Timing Specifications

Over recommended operating supply and temperature ranges unless otherwise specified. ⁽¹⁾ ⁽²⁾

| Symbol | Parameter | Conditions | Min | Typ | Max | Units |
|-------------------|--|---|------|------------------------|-------|-------|
| LR | Line Rate | Tested with alternating 1-0 pattern. | 1.25 | | 3.125 | Gbps |
| t _{OS} | Output Overshoot | See ⁽³⁾ | | | 10 | % |
| t _R | Differential Low to High Transition Time | See ⁽³⁾ | | 60 | 90 | ps |
| t _F | Differential High to Low Transition Time | | | 60 | 90 | ps |
| t _{RFMM} | Mismatch in Rise/Fall Time | See ⁽³⁾ | | | 15 | ps |
| t _{DE} | De-emphasis width | Measured from zero-crossing at rising edge to 80% of VOD from zero-crossing at falling edge. TDE is measured at the High setting during test. | | 1 | | UI |
| t _{BIT} | Serializer Bit Width | | | 0.2 x t _{CIP} | | ns |
| t _{SD} | Serializer Propagation Delay – Latency | Depends on mode — see Table 3 | | (10 – 14) T+ 5.5 | | ns |

- The Electrical Characteristics tables list ensured specifications under the listed Recommended Operating Conditions except as otherwise modified or specified by the Electrical Characteristics Conditions and/or Notes. Typical specifications are estimations only and are not ensured.
- Typical values represent most likely parametric norms for V_{CC} = +3.3V and T_A = +25°C, and at the Recommended Operation Conditions at the time of product characterization and are not ensured.
- Parameter is ensured by characterization and is not tested at production.

CML Timing Specifications (continued)

Over recommended operating supply and temperature ranges unless otherwise specified. ⁽¹⁾ ⁽²⁾

| Symbol | Parameter | Conditions | Min | Typ | Max | Units |
|------------------|---|---|-----|------|-----|-------------------|
| t_{JIND} | Serializer Output Deterministic Jitter | Serializer output intrinsic deterministic jitter. Measure with PRBS-7 test pattern De-emphasis disabled. See ⁽³⁾ 1.25 Gbps | | 10 | | ps |
| | | 2.5 Gbps | | 24 | | ps |
| | | 3.125 Gbps | | 21 | | ps |
| t_{JINR} | Serializer Output Random Jitter | Serializer output intrinsic random jitter. Bit error rate $\geq 10^{-15}$. Alternating-10 pattern. De-emphasis disabled. See ⁽³⁾ 1.25 Gbps | | 1.3 | | ps _{RMS} |
| | | 2.5 Gbps | | 1.15 | | ps _{RMS} |
| | | 3.125 Gbps | | 1.14 | | ps _{RMS} |
| t_{JINT} | Peak-to-peak Serializer Output Jitter | Serializer output peak-to-peak jitter includes deterministic jitter, random jitter, and jitter transfer from serializer input. Measure with PRBS-7 test pattern. Bit error rate $\geq 10^{-15}$. De-emphasis disabled. See ⁽³⁾ 1.25 Gbps | | 28 | | ps |
| | | 2.5 Gbps | | 38 | | ps |
| | | 3.125 Gbps | | 35 | | ps |
| λ_{TXBW} | Jitter Transfer Function -3 dB Bandwidth ⁽⁴⁾ | 1.25 Gbps | | 100 | | kHz |
| | | 3.125 Gbps | | 300 | | kHz |
| δ_{TX} | Jitter Transfer Function Peaking ⁽⁴⁾ | | | 0.5 | | dB |

(4) Parameter is ensured by characterization and is not tested at production.

Timing Diagrams

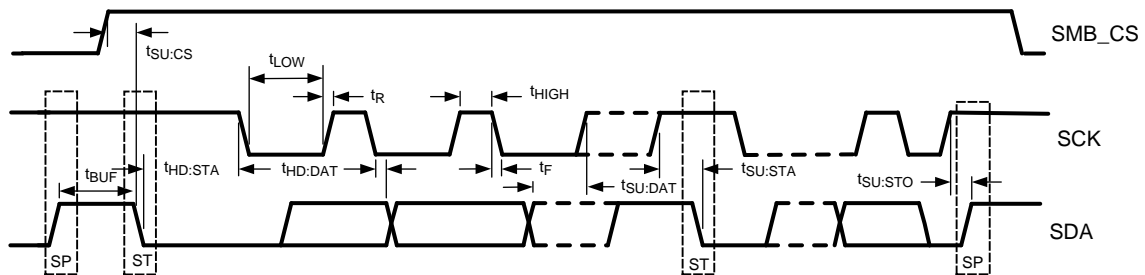


Figure 1. SMBus timing parameters

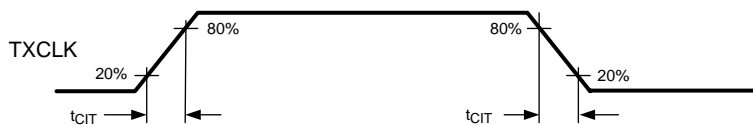


Figure 2. Serializer Input Clock Transition Time

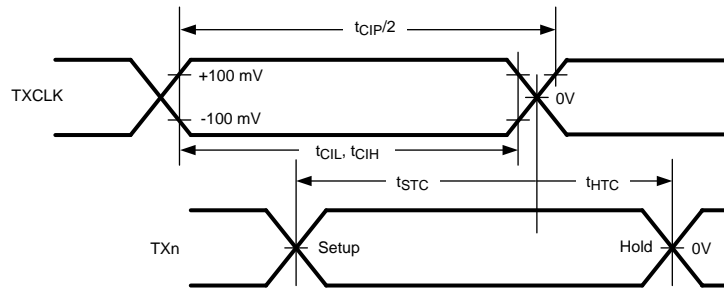


Figure 3. Serializer (LVDS Interface) Setup/Hold and High/Low Times

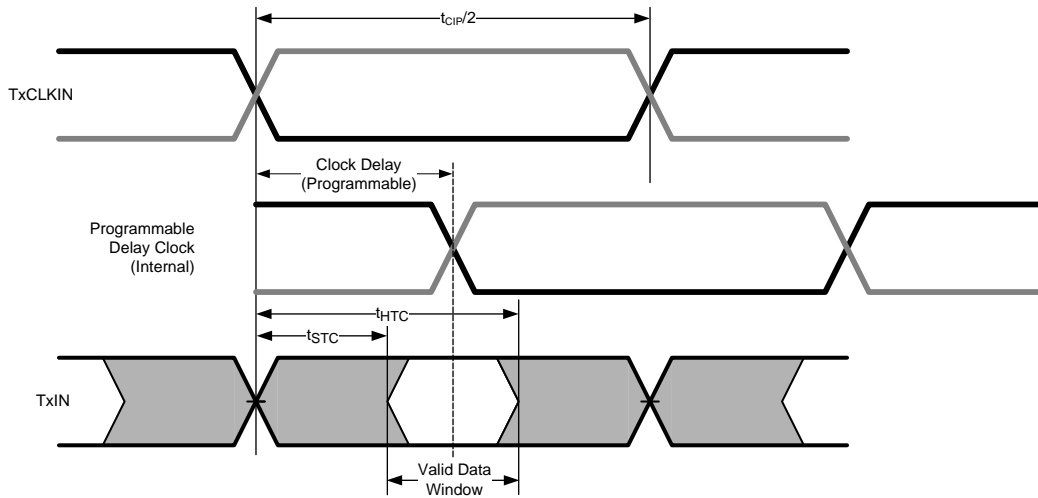


Figure 4. LVDS Input Clock Delay

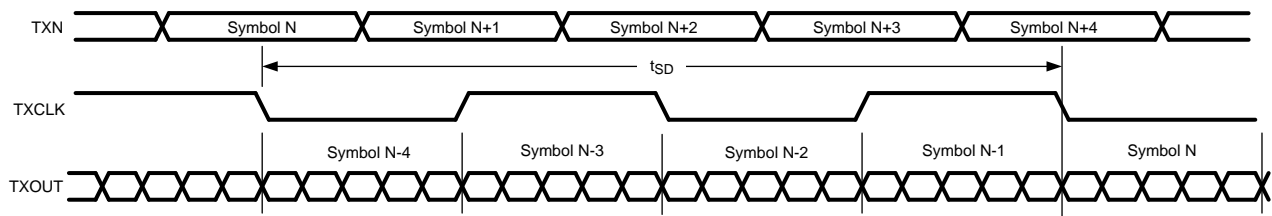


Figure 5. Propagation Delay Timing Diagram

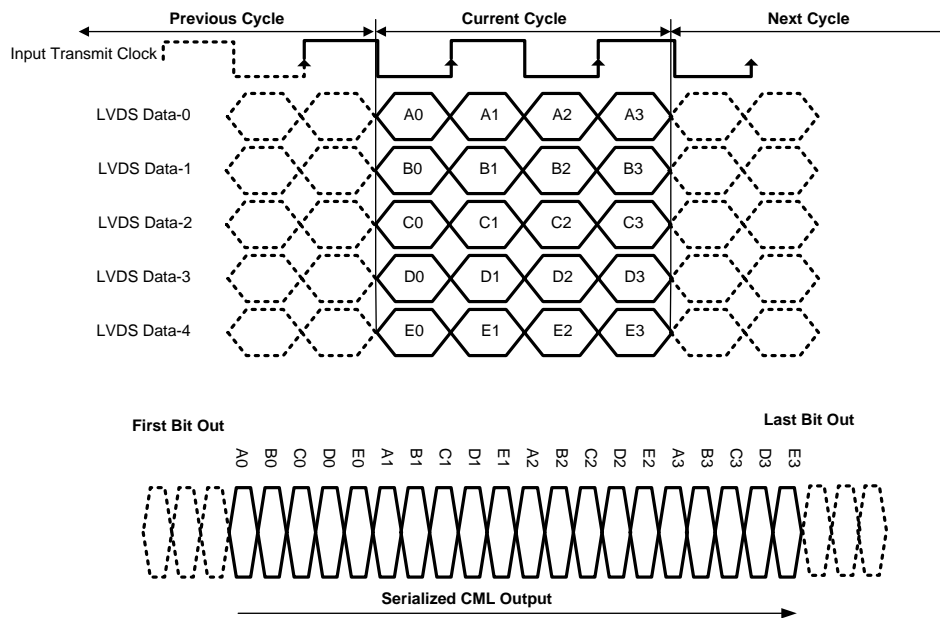


Figure 6. 5-Bit Parallel LVDS Inputs Mapped to CML Output

FUNCTIONAL DESCRIPTION

POWER SUPPLIES

The DS32EL0421 and DS32ELX0421 have several power supply pins, at 2.5V as well as 3.3V. It is important that these pins all be connected and properly bypassed. Bypassing should consist of parallel 4.7 μ F and 0.1 μ F capacitors as a minimum, with a 0.1 μ F capacitor on each power pin. A 22 μ F capacitor is required on the VDDPLL pin which is connected to the 3.3V rail.

These devices have a large contact in the center on the bottom of the package. This contact must be connected to the system GND as it is the major ground connection for the device.

POWER UP

It is recommended, although not necessary, to bring up the 3.3V power supply before the 2.5V supply. If the 2.5V supply is powered up first, an initial current draw of approximately 600mA from the 2.5V rail may occur before settling to its final value. Regardless of the sequence, both power rails should monotonically ramp up to their final values.

POWER MANAGEMENT

These devices have two methods to reduce power consumption. To enter the first power save mode, the on board host FPGA or controlling device can cease to output the DDR transmit clock. To further reduce power consumption, write 40'h to register 26'h and 10'h to register 01'h. This will put the device in its lowest power consumption mode.

RESET

There are three ways to reset these devices. A reset occurs automatically during power-up. The device can also be reset by pulling the **RESET** pin low, with normal operation resuming when the pin is driven high again. The device can also be reset by writing to the reset register. This reset will put all of the register values back to their default values, except it will not affect the address register value if the SMBus default address has been changed.

LVDS INPUTS

The DS32EL0421 and DS32ELX0421 have standard 2.5V LVDS inputs which are compliant with ANSI/TIA/EIA-644. These inputs have internal 100Ω termination resistors. It is recommended that the PCB trace between the FPGA and the serializer be less than 40-inches. Longer PCB traces may degrade the quality of the input signal. The connection between the host and the DS32EL0421 or DS32ELX0421 should be over a controlled impedance transmission line with impedance that matches the termination resistor – usually 100Ω. Setup and hold times are specified in the [LVDS Timing Specifications](#), however the clock delay can be adjusted by writing to register 30'h.

LOOP FILTER

The DS32EL0421 and DS32ELX0421 have an internal PLL which is used to generate the serialization clock from the parallel clock input. The loop filter for this PLL is external; and for optimum results, a 100nF capacitor and a 1.5 kΩ resistor in series should be connected between pins 26 and 27. See typical interface circuit ([Figure 11](#)).

CML LAUNCH AMPLITUDE

The launch amplitude of the CML output(s) is controlled by placing a single resistor from the VOD_CTRL pin to ground. Use the following equation to obtain the desired V_{OD} by selecting the corresponding resistor value.

$$R = (1400 \text{ mV} / V_{OD}) \times 9.1 \text{ k}\Omega \quad (1)$$

The CML output launch amplitude can also be adjusted by writing to SMBus register 69'h, bits 2:0. This register is meant to assist system designers during the initial prototype design phase. For final production, it is recommended that the appropriate resistor value be selected for the desired V_{OD} and that register 69'h be left to its default value.

REMOTE SENSE

The remote sense feature can be used when a DS32EL0421 or DS32ELX0421 serializer is directly connected to a DS32EL0124 or DS32ELX0124 deserializer. Active components in the signal path between the serializer and the deserializer may interfere with the back channel signaling of the devices.

When remote sense is enabled, the serializer will cycle through four states to successfully establish a link and align the data. The state diagram for the serializer is shown in [Figure 7](#). The serializer will remain in the low power IDLE state until it receives an input clock. Once the PLL of the serializer has locked to the input clock, the device will enter the LINK DETECT state. While in this state, the serializer will monitor the line to see if the deserializer is present. If a deserializer is detected, the serializer will enter the LINK ACQUISITION state. The serializer will transmit the entire training pattern and then enter the NORMAL state. If the deserializer is unable to successfully lock or maintain lock it will break the link, sending the serializer back to the IDLE or LINK DETECT states.

With the Remote Sense feature active, the serializer can be forced out of lock due to events on the high speed serial line in two ways, a serial channel reset signal is sent upstream from the deserializer or the near end termination detect circuit signals and open termination was detected. The upstream signal sent from the deserializer that resets the serializer is called the link detect signal. Since the serializer and deserializer may power up at different times, the deserializer will transmit this link detect signal periodically, once it detects that a serializer is active on the other side of the high speed line. When a serializer receives the link detect signal, it will return to the LINK DETECT state. The near end open termination detection circuit will trigger only for near end open termination events, such as unplugging the cable on the serializer end of the line.

DC-BALANCE ENCODER

The DS32EL0421 and DS32ELX0421 have a built-in DC-balance encoder to support AC-coupled applications. When enabled, the input signal on TXIN4+/- is treated as a data valid bit. If TXIN4+/- is low, then the four bit nibbles from TXIN0-TXIN3 are taken to form a 16 bit word. This 16 bit word is processed as two 8 bit words and converted to two 10 bit words by using the standard 8b/10b data coding scheme. The two 10 bit words are then combined to create a 20 bit code. This 20 bit word is serialized and driven on the output. The nibble taken in on the rising edge of the clock is the most significant nibble and the nibble taken in on the falling edge is the least significant nibble. If TXIN4+/- is high, then the inputs TXIN0 -TXIN3 are ignored and a programmable DC-balanced SYNC character is inserted in the output stream. The default character is a K28.5 code. In order to send other K codes, they must first be programmed into the serializer via the SMBus. The SMBus registers allows for only a single programmable character.

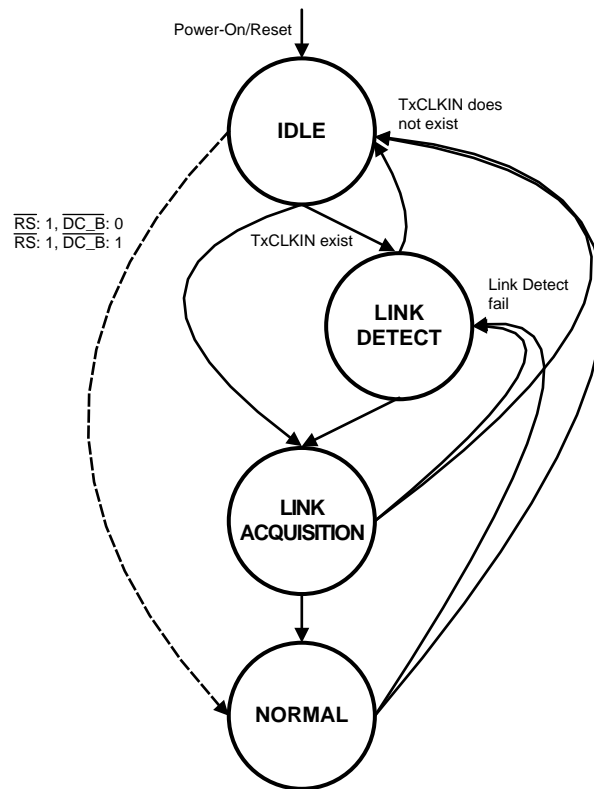


Figure 7. Serializer State Diagram

SCRAMBLER and NRZI Encoder

The CDR of the DS32EL0124 and the DS32ELX0124 expect a transition density of 20% for a period of 200 μ s. If the scrambler and NRZI encoder are enabled, the raw or DC-balanced serialized data is scrambled to improve transition density. The scrambler accepts 20 bits of data and encodes it using the polynomial $X^9 + X^4 + 1$. The data can then be sent to the NRZ-to-NRZI converter before being output.

Enabling the scrambler can help to lower EMI emissions by spreading the spectrum of the data. Scrambling also creates transitions for the deserializer's CDR to properly lock onto.

The scrambler and NRZI encoder are enabled or disabled by default depending on how the $\overline{DC_B}$ and \overline{RS} pins are configured. To override the default scrambler setting two register writes must be performed. First, write to register 22'h and set bit 3 to unlock the scrambler register. Next write to register 21'h and change bit 4 to the desired value. The NRZI encoder can be enabled or disabled independently of the scrambler by controlling bit 7 of register 21'h and bit 4 of register 22'h.

CML OUTPUT DATA INTERFACING

The serial outputs provide low-skew differential signals. Internal resistors connected from TxOUTn+ and TxOUTn- to VDD25 terminate the outputs. The output level can be programmed by adjusting the pull-down resistor to the VOD_CTRL pin. The output terminations can also be programmed to be either 50 Ω or 75 Ω .

The output buffer consists of a current mode logic (CML) driver with user configurable de-emphasis control, which can be used to optimize performance over a wide range of transmission line lengths and attenuation distortions resulting from low cost CAT(-5, -6, -7) cable or FR-4 backplane. Output de-emphasis is user programmable through either device pins DE_EMPH0 and DE_EMPH1 or SMBus interface. Users can control the strength of the de-emphasis to optimize for a specific system environment. Please see Table 1 for details.

Table 1. De-Emphasis Control Table

| DE_EMPH[1:0] | Output De-Emphasis Level |
|--------------|--------------------------|
| 00'b | Off |
| 01'b | Low |
| 10'b | Medium |
| 11'b | High |

The DS32ELX0421 provides a secondary serial output, supporting redundancy applications. The redundant output driver can be enabled by setting TXOUT1_EN pin to HIGH or by activating it through the SMBus registers.

DEVICE CONFIGURATION

There are four ways to configure the DS32EL0421 and DS32ELX0421 serializers, these combinations are shown in [Table 2](#). Refer to [Figure 7](#) to see how the combinations of the \overline{RS} and $\overline{DC_B}$ pins change the link startup behavior of the serializers. When connecting to a deserializer other than the DS32EL0124 or DS32ELX0124, Remote Sense should be disabled. The scrambler and NRZI encoder shown in [Table 2](#) can be enabled or disabled through register programming.

When Remote Sense is enabled, with \overline{RS} pin tied low, the serializer must be connected directly to a DS32EL0124 or DS32ELX0124 deserializer without any active components between them. The Remote Sense module features an upstream communication method for the serializer and deserializer to communicate. This feature is used to pass link status information between the 2 devices. When Remote Sense is enabled the serializer will send a training pattern to the deserializer to establish lock and lane alignment.

If DC-Balance is enabled, a maximum of 4 parallel LVDS lanes can be used to receive data. The fifth lane (TXIN4±) is used for Data Valid signaling. Each time a serializer establishes a link to a deserializer with DC-Balance enabled and Remote Sense disabled, the Data Valid input to the serializer must be held high for 110 LVDS clock periods. If the Data Valid input to the serializer is logic HIGH, then SYNC characters are transmitted. If the deserializer receives a SYNC character, then the LVDS data outputs will all be logic low and the Data Valid output will be logic high. If the deserializer detects a DC-Balance code error, the output data pins will be set to logic high with the Data Valid output also set to logic high.

In the case where DC-Balance is enabled and Remote Sense is disabled, with \overline{RS} set to high and $\overline{DC_B}$ set to low, it is recommended that the host device periodically toggle the Data Valid input to the serializer, to transmit SYNC symbols on the line, to ensure that the deserializer is and remains locked. In this configuration the deserializer or receiving device does not have a way to directly notify the serializer if it has lost lock. Periodically sending SYNC symbols will allow the receiving system to reacquire lock if a problem has occurred. With these pin settings the DS32EL0421/DS32ELX0421 and DS32EL0124/DS32ELX0124 devices can interface with other active component in the high speed signal path, such as fiber modules.

When both Remote Sense and DC-Balance are disabled, \overline{RS} and $\overline{DC_B}$ pins set to high, the LVDS lane alignment is not maintained. In this configuration, data formatting is handled by an FPGA or external source. This pin setting combination also allows for the DS32EL0421/DS32ELX0421 devices to interface with active components other than the DS32EL0124/DS32ELX0124 in the high speed signal path. In this configuration the host device is responsible for DC balancing the data in an AC coupled application.

Table 2. Device Configuration Table

| Remote Sense Pin (RS) | DC-Balance Pin ($\overline{DC_B}$) | Configuration |
|-----------------------|---------------------------------------|---|
| 0 | 0 | Remote Sense enabled DC-Balance enabled Data Alignment Scrambler and NRZI encoder disabled by default |
| 0 | 1 | Remote Sense enabled DC-Balance disabled Data Alignment Scrambler and NRZI encoder enabled by default |
| 1 | 0 | Remote Sense disabled DC-Balance enabled Data Alignment Scrambler and NRZI encoder enabled by default |
| 1 | 1 | Remote Sense disabled DC-Balance disabled No Data Alignment Scrambler and NRZI encoder disabled by default |

SMBus INTERFACE

The System Management Bus interface is compatible to SMBus 2.0 physical layer specification. The use of the Chip Select signal is **required**. Holding the SMB_CS pin HIGH enables the SMBus port, allowing access to the configuration registers. Holding the SMB_CS pin LOW disables the device's SMBus, allowing communication from the host to other slave devices on the bus. In the STANDBY state, the System Management Bus remains active. When communication to other devices on the SMBus is active, the SMB_CS signal for the serializer must be driven LOW.

The address byte for all DS32EL0421 and DS32ELX0421 devices is AE'h. Based on the SMBus 2.0 specification, these devices have a 7-bit slave address of 1010111'b. The LSB is set to 0'b (for a WRITE), thus the 8-bit value is 1010 1110 'b or AE'h.

The SCK and SDA pins are 3.3V LVCMOS signaling and include high-Z internal pull up resistors. External low impedance pull up resistors maybe required depending upon SMBus loading and speed. Note, these pins are not 5V tolerant.

Transfer of Data via the SMBus

During normal operation the data on SDA must be stable during the time when SCK is HIGH.

There are three unique states for the SMBus:

- START** A HIGH to LOW transition on SDA while SCK is HIGH indicates a message START condition
- STOP** A LOW to HIGH transition on SDA while SCK is HIGH indicates a message STOP condition.
- IDLE** If SCK and SDA are both high for a time exceeding t_{BUF} from the last detected STOP condition or if they are HIGH for a total exceeding the maximum specification for t_{HIGH} then the bus will transfer to the IDLE state.

SMBus Transactions

The devices support WRITE and READ transactions. See Register Description Table for register address, type (Read/ Write, Read Only), default value and function information.

Writing to a Register

To write a register, the following protocol is used (see SMBus 2.0 specification).

1. The Host (Master) selects the device by driving its SMBus Chip Select (SMB_CS) signal HIGH.
2. The Host drives a START condition, the 7-bit SMBus address, and a "0" indicating a WRITE.
3. The Device (Slave) drives the ACK bit ("0").
4. The Host drives the 8-bit Register Address.
5. The Device drives an ACK bit ("0").

6. The Host drive the 8-bit data byte.
7. The Device drives an ACK bit (“0”).
8. The Host drives a STOP condition.
9. The Host de-selects the device by driving its SMBus CS signal Low.

The WRITE transaction is completed, the bus goes IDLE and communication with other SMBus devices may now occur.

Reading a Register

To read a register, the following protocol is used (see SMBus 2.0 specification).

1. The Host (Master) selects the device by driving its SMBus Chip Select (SMB_CS) signal HIGH.
2. The Host drives a START condition, the 7-bit SMBus address, and a “0” indicating a WRITE.
3. The Device (Slave) drives the ACK bit (“0”).
4. The Host drives the 8-bit Register Address.
5. The Device drives an ACK bit (“0”).
6. The Host drives a START condition.
7. The Host drives the 7-bit SMBus Address, and a “1” indicating a READ.
8. The Device drives an ACK bit “0”.
9. The Device drives the 8-bit data value (register contents).
10. The Host drives a NACK bit “1” indicating end of the READ transfer.
11. The Host drives a STOP condition.
12. The Host de-selects the device by driving its SMBus CS signal Low.

The READ transaction is completed, the bus goes IDLE and communication with other SMBus devices may now occur.

SMBus Configurations

Many different configurations of the SMBus are possible and depend upon the specific requirements of the applications. Several possible applications are described.

Configuration 1

The deserializer SMB_CS may be tied High (always enabled) since it is the only device on the SMBus. See [Figure 8](#).

Configuration 2

Since the multiple SER devices have the same address, the use of the individual SMB_CS signals is required. To communicate with a specific device, its SMB_CS is driven High to select the device. After the transaction is complete, its SMB_CS is driven Low to disable its SMB interface. Other devices on the bus may now be selected with their respective chip select signals and communicated with. See [Figure 9](#).

Configuration 3

The addressing field is limited to 7-bits by the SMBus protocol. Thus it is possible that multiple devices may share the same 7-bit address. An optional feature in the SMBus 2.0 specification supports an Address Resolution Protocol (ARP). This optional feature is not supported by the DS32EL0421/DS32ELX0421 devices. Solutions for this include: the use of the independent SMB_CS signals, independent SMBus segments, or other means.

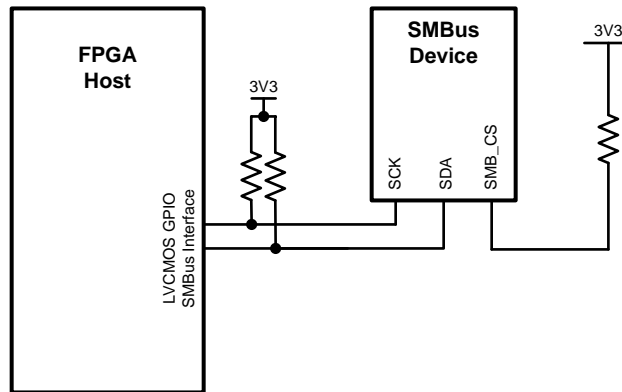


Figure 8. SMBus Configuration 1

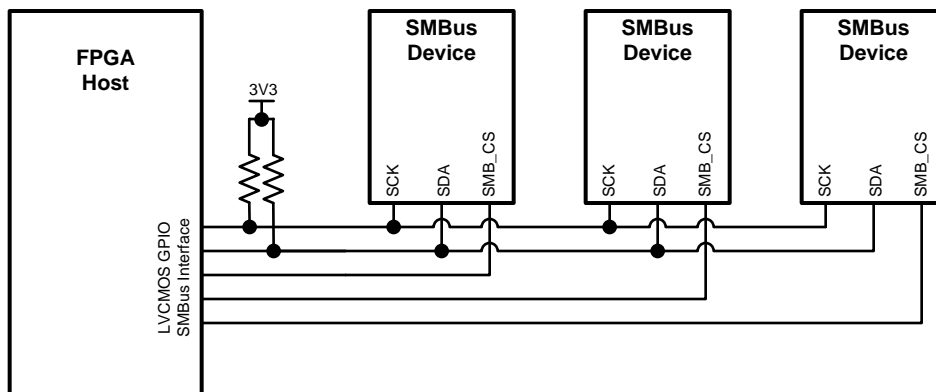


Figure 9. SMBus Configuration 2

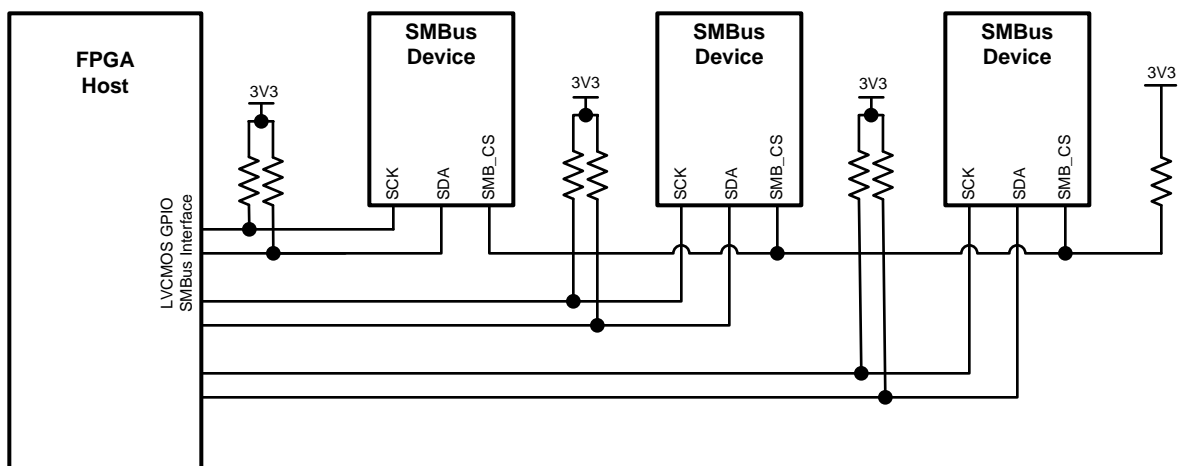


Figure 10. SMBus Daisy Chained CS Configuration

PROPAGATION DELAY

Once the serializer is locked, the amount of time it takes for a bit to travel into the device through the DDR LVDS inputs and out through the CML serial output is defined to be the propagation delay. The propagation delay through the DS32EL0421/DS32ELX0421 due to the analog circuitry is considered negligible compared to the time delay caused by the digital components. The information presented in this section allows system designers to predict the propagation delay through the device in terms of clock cycles which are proportional to the high speed serial line rate.

Each clock cycle shown in [Table 3](#) is defined to be 1/2 t_{CIP} . Note at 3.125Gbps, t_{CIP} is 312.5MHz, T is 1/2 t_{CIP} or 156.25MHz which is 6.40ns per clock..

Table 3. Serializer Propagation Delay

| Config. Pins (DC_B, RS) | LVDS Interface | DC Balance Encoder | Scrambler | NRZ Encoder | CML interface | Analog Delay | Total Propagation Delay |
|----------------------------|-------------------|-----------------------|-----------|----------------|------------------|----------------------|-------------------------------|
| Data Flow (left to right) | | | | | | | |
| 0, 0 | 3 clocks | 1 clock | – | – | 5 – 6 clocks | 2 clocks + ~5.5ns | 11 – 12 clocks + ~5.5ns |
| 0, 1 | 3 clocks | 1 clock | 1 clock | 1 clock | 5 – 6 clocks | 2 clocks + ~5.5ns | 13 – 14 clocks + ~5.5ns |
| 1, 0 | 3 clocks | – | 1 clock | 1 clock | 5 – 6 clocks | 2 clocks + ~5.5ns | 12 – 13 clocks + ~5.5ns |
| 1, 1 | 3 clocks | – | – | – | 5 – 6 clocks | 2 clocks + ~5.5ns | 10 – 11 clocks + ~5.5ns |

Application Information

GPIO PINS

The GPIO pins can be useful tools when debugging or evaluating the system. For specific GPIO configurations and functions refer to registers 2, 3, 4, 5 and 6 in the device register map.

GPIO pins are commonly used when there are multiple serializers on the same SMBus. In order to program individual settings into each serializer, they will each need to have a unique SMBus address. To reprogram multiple serializers on a single SMBus, configure the first serializer such that the SMBus lines are connected to the FPGA or host controller. The CS pin of the second serializer should be tied to GPIO0 of the first serializer, with the CS pin of the next serializer tied to GPIO0 of its preceding serializer. By holding all of the GPIO0 pins low, the first serializer's address may now be reprogrammed by writing to register 0. The first serializer's GPIO pin can now be asserted and the second serializer's address may now be reprogrammed.

HIGH SPEED COMMUNICATION MEDIA

Using the serializer's integrated de-emphasis blocks in combination with the DS32EL0124 or DS32ELX0124's integrated equalization blocks allows data to be transmitted across a variety of media at high speeds. Factors that can limit device performance include excessive input clock jitter, noisy power rails, EMI from nearby noisy components and poor layout techniques. Although many cables contain wires of similar gauge and shielding, performance can vary greatly depending on the quality of the connector.

REDUNDANCY APPLICATIONS

The DS32ELX0421 has two high speed CML serial outputs. SMBus register control allows the device to use a single output exclusively, or both outputs simultaneously. This allows a single serializer to transmit data to two independent receiving systems, a primary and secondary endpoint. Some applications require a redundancy measure in case the primary signal path is compromised. The secondary output can be activated "on-the-go", if a problem is detected on the primary link. See the [Redundancy / Fail Over Configuration](#) section located under [Register Recipes](#).

LINK AGGREGATION

Multiple DS32EL0421/DS32ELX0421 serializers and D32EL0124/DS32ELX0124 deserializers can be aggregated together if an application requires a data throughput of more than 3.125 Gbps. By utilizing the data valid signal of each device, the system can be properly deskewed to allow for a single cable, such as CAT-6, DVI-D, or HDMI, to carry data payloads beyond 3.125 Gbps.

Link aggregation configurations can also be implemented in applications which require longer cable lengths. In these type of applications the data rate of each serializer and deserializer chipset can be reduced, such that the applications' net data throughput is still the same. Since each high speed channel is now operating at a fraction of the original data rate, the loss over the cable is reduced, allowing for greater lengths of cable to be used in the system.

For more information regarding link aggregation please see [SNLA109](#), Expanding the Payload with TI's FPGA-Link DS32ELX0421 and DS32ELX0124 Serializer and Deserializer.

LAYOUT GUIDELINES

It is important to follow good layout practices for high speed devices. The length of LVDS input traces should not exceed 40 inches. In noisy environment the LVDS traces may need to be shorter to prevent data corruption due to EMI. Noisy components should not be placed next to the LVDS or CML traces. The LVDS and CML traces must have a controlled differential impedance of 100 Ω. Do not place termination resistor at the LVDS inputs or CML outputs, the DS32EL0421 and DS32ELX0421 have internal termination resistors. It is recommended to avoid using vias. Vias create an impedance mismatch in the transmission line and result in reflections, which can greatly lower the maximum distance of the high speed data link. If vias are required, they should be placed symmetrically on each side of the differential pair. For more tips and detailed suggestions regarding high speed board layout principles, please consult the LVDS Owner's Manual.

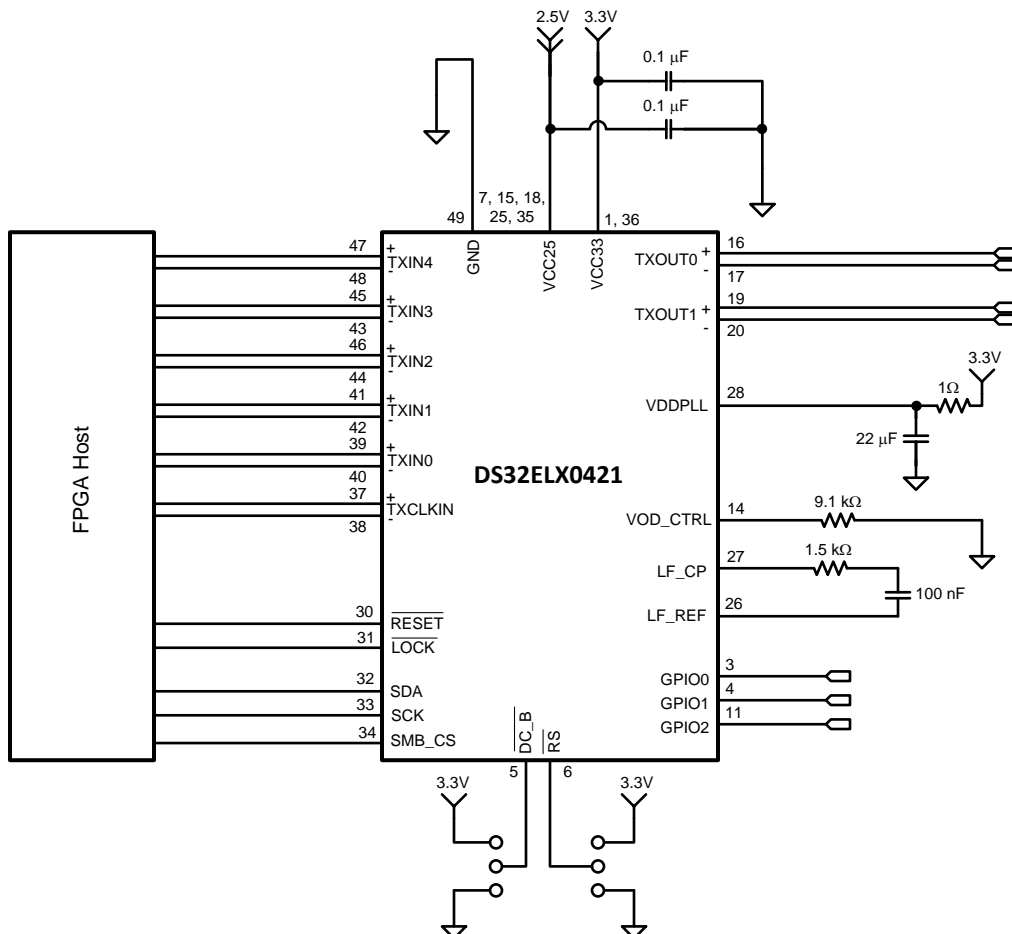


Figure 11. Typical Interface Circuit

Typical Performance Characteristics

The eye diagrams shown below illustrate the typical performance of the DS32ELX0421/DS32EL0421 configured with $\overline{RS} = 0, \overline{DC_B} = 0$, for the conditions listed below each figure. The PRBS-15 data was generated by a low cost FPGA, which used an LMK03000C to generate the various clock frequencies.

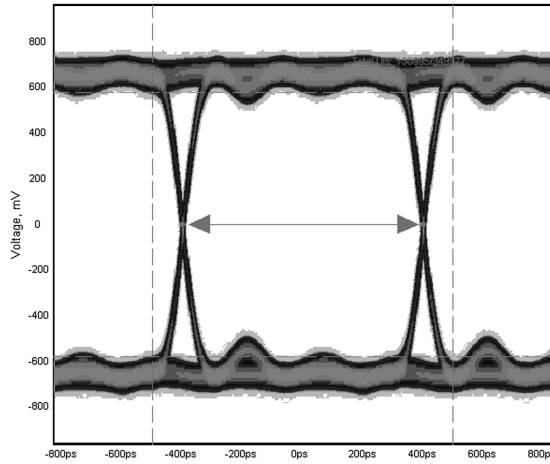


Figure 12. CML Serial Differential Output 1.25 Gbps

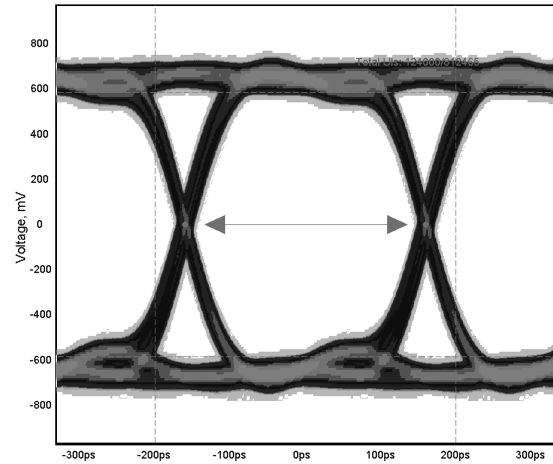


Figure 13. CML Serial Differential Output 3.125 Gbps

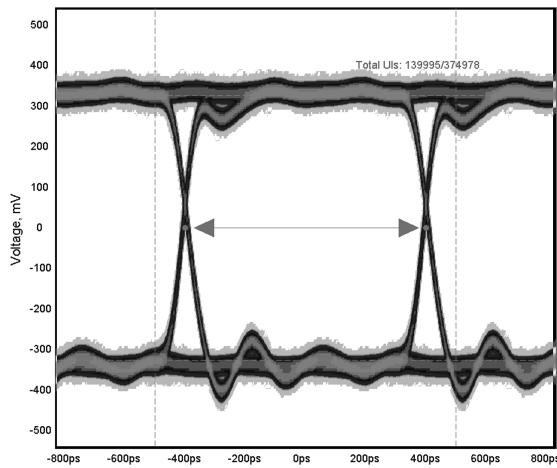


Figure 14. CML Serial Singled Ended Output (+) 1.25 Gbps

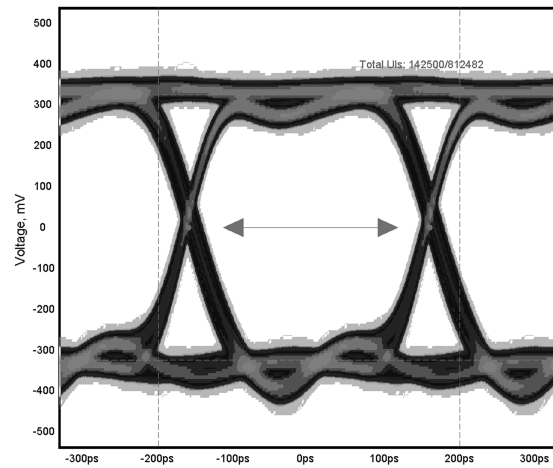


Figure 15. CML Serial Single Ended Output (+) 3.125 Gbps

Register Map

The register information for the serializer is shown in the table below. Some registers have been omitted or marked as reserved; these are for internal testing and should not be written to. Some register bits require an override bit to be set before they can be written to.

| Addr (Hex) | Name | Bits | Field | R/W | Default | Description |
|------------|--------------|------|----------------|-----|---------|--|
| 00 | Device ID | 7:1 | SMBus Address | R/W | 57'h | Some systems will use all 8 bits as the device ID. This will shift the value from 57'h to AE'h |
| | | 0 | Reserved | | 0 | |
| 01 | Reset | 7:5 | Reserved | | 0 | |
| | | 4 | Analog Disable | R/W | 0 | 1: Disables analog blocks. Power save feature |
| | | 3:1 | Reserved | | 0 | |
| | | 0 | Software Reset | | 0 | 1: Reset the device. Does not affect device ID. |
| 02 | GPIO0 Config | 7:4 | GPIO0 Mode | R/W | 0 | 0000: GP out register 0001: Link loss indicator 0011: TxCLKIN loss of signal 0100: TxCLKIN detect All others: Reserved |
| | | 3:2 | GPIO0 R Enable | R/W | 01'b | 00: Pullup/down disabled 01: Pulldown enabled 10: Pullup enabled 11: Reserved |
| | | 1 | Input Enable | R/W | 0 | 0: Input buffer disabled 1: Input buffer enabled |
| | | 0 | Output Enable | R/W | 1'b | 0: Output Tri-State™ 1: Output enabled |
| 03 | GPIO1 Config | 7:4 | GPIO1 Mode | R/W | 0 | 0000: Power on reset 0001: GP out register 0010: PLL lock indicator 0011: TxIN0 loss of signal 0100: TxIN1 loss of signal 0101: TxIN2 loss of signal 0110: TxIN3 loss of signal 0111: TxIN4 loss of signal All others: Reserved |
| | | 3:2 | GPIO1 R Enable | R/W | 01'b | 00: Pullup/down disabled 01: Pulldown enabled 10: Pullup enabled 11: Reserved |
| | | 1 | Input Enable | R/W | 0 | 0: Input buffer disabled 1: Input buffer enabled |
| | | 0 | Output Enable | R/W | 1'b | 0: Output Tri-State™ 1: Output enabled |
| 04 | GPIO2 Config | 7:4 | GPIO2 Mode | R/W | 0 | 0000: GP out register 0001: Always on clock out 0010: Parallel-to-serial clock out 0100: Digital clock out All others: Reserved |
| | | 3:2 | GPIO2 R Enable | R/W | 01'b | 00: Pullup/down disabled 01: Pulldown enabled 10: Pullup enabled 11: Reserved |
| | | 1 | Input Enable | R/W | 0 | 0: Input buffer disabled 1: Input buffer enabled |
| | | 0 | Output Enable | R/W | 1'b | 0: Output Tri-State™ 1: Output enabled |

| Addr (Hex) | Name | Bits | Field | R/W | Default | Description |
|----------------|-------------------------|------|-----------------------------------|-----|---------|--|
| 05 | GP In | 7:3 | Reserved | | 0 | |
| | | 2 | GP In 2 | R | 0 | Input value on GPIO2 |
| | | 1 | GP In 1 | R | 0 | Input value on GPIO1 |
| | | 0 | GP In 0 | R | 0 | Input value on GPIO0 |
| 06 | GP Out | 7:3 | Reserved | | 0 | |
| | | 2 | GP Out 2 | R/W | 0 | Output value on GPIO2 |
| | | 1 | GP Out 1 | R/W | 0 | Output value on GPIO1 |
| | | 0 | GP Out 0 | R/W | 0 | Output value on GPIO0 |
| 07–1F Reserved | | | | | | |
| 20 | De-Emphasis | 7:3 | Reserved | | 0 | |
| | | 2 | Pin Override | R/W | 0 | 0: Pin values determine setting 1: Register overrides pin values |
| | | 1:0 | De-emphasis level | R/W | 0 | 00: No de-emphasis 01: Low 10: Medium 11: High |
| 21 | Device Config | 7 | NRZI enable | R/W | 0 | 1: Enable NRZI, if override bit is set |
| | | 6 | DV disable | R/W | 0 | 1: Disable Data Valid |
| | | 5 | Reserved | R/W | 0 | |
| | | 4 | Scrambler Enable | R/W | 0 | 1: Scrambler enable, requires override bit to change setting |
| | | 3 | DC Bal encoder bypass | R/W | 0 | 1: Bypass encoder, requires override bit to change setting |
| | | 2 | Training Sequence Enable | R/W | 0 | 1: Enable training sequence, requires override bit to change setting |
| | | 1:0 | Device Configuration | R/W | 0 | MSB: Remote Sense enable, active low LSB: DC balance encoder enable, active low Requires override bit to change settings through registers. Normally controlled by pins. See Table 2 for more information. |
| 22 | Device Config Override | 7:5 | Reserved | | 0 | |
| | | 4 | NRZ bypass override | R/W | 0 | 1: Unlock reg 21'h bit 7 |
| | | 3 | Scrambler bypass override | R/W | 0 | 1: Unlock reg 21'h bit 4 |
| | | 2 | DC Bal encoder bypass override | R/W | 0 | 1: Unlock reg 21'h bit 3 |
| | | 1 | Training sequence enable override | R/W | 0 | 1: Unlock reg 21'h bit 2 |
| | | 0 | Config pin override | R/W | 0 | 1: Unlock reg 21'h bits 1 and 0 |
| 23 Reserved | | | | | | |
| 24 | LVDS Clock Delay Enable | 7 | TxCLKIN Delay Bypass | R/W | 0 | 0: TxCLKIN delay enable 1: Bypass TxCLKIN delay |
| | | 6:0 | Reserved | | 0 | |
| 25 Reserved | | | | | | |

| Addr (Hex) | Name | Bits | Field | R/W | Default | Description |
|------------|-----------------------|------|-------------------------------|-----|---------|--|
| 26 | Power Down | 7 | Channel Reset | R/W | 0 | 1: Reset high speed channel. Self-clearing bit. |
| | | 6 | Clock Powerdown | R/W | 0 | 1: Power down parallel, parallel-to-serial, and always on clock |
| | | 5 | LVDS Clock enable | R/W | 1'b | 0: Disable TxCLKIN 1: Enable TxCLKIN |
| | | 4 | TxIN4 Enable | R/W | 1'b | 0: Disable TxIN4 1: Enable TxIN4 |
| | | 3 | TxIN3 Enable | R/W | 1'b | 0: Disable TxIN3 1: Enable TxIN3 |
| | | 2 | TxIN2 Enable | R/W | 1'b | 0: Disable TxIN2 1: Enable TxIN2 |
| | | 1 | TxIN1 Enable | R/W | 1'b | 0: Disable TxIN1 1: Enable TxIN1 |
| | | 0 | TxIN0 Enable | R/W | 1'b | 0: Disable TxIN0 1: Enable TxIN0 |
| 27 | Event Disable | 7:5 | Reserved | R/W | 0 | |
| | | 4 | PLL Lock Disable | R/W | 0 | 0: Count clock errors 1: Clock error count disabled |
| | | 3 | FIFO Error Disable | R/W | 0 | 0: Count FIFO errors 1: FIFO error count disabled |
| | | 2 | Parallel Clock Detect Disable | R/W | 0 | 0: Count clock detect errors 1: Clock detect count disabled |
| | | 1 | Clock Loss of Signal Disable | R/W | 0 | 0: Count clock loss of signal errors 1: Clock loss of signal count disabled |
| | | 0 | Data Loss of Signal Disable | R/W | 0 | 0: Count data loss of signal errors 1: Clock data of signal count disabled |
| 28 | LVDS Operation | 7:2 | Reserved | | 0 | |
| | | 1 | LVDS Loss of Signal Preset | R/W | 0 | 1: Preset signal for LVDS loss of signal register |
| | | 0 | LVDS Loss of Signal Reset | R/W | 0 | 1: Clear signal for LVDS loss of signal register |
| 29 | Loss of Signal Status | 7:6 | Reserved | | 0 | |
| | | 5 | Clock Loss of Signal | R | 0 | 0: Clock present 1: No clock present on TxCLKIN |
| | | 4:0 | Data Loss of Signal | R | 0 | 0: Data present 1: No data present on TxIN4:0 |
| 2A | Event Status | 7:4 | Reserved | | 0 | |
| | | 3 | TxCLKIN Detect | R/W | 0 | 0: TxCLKIN not detected 1: TxCLKIN detected |
| | | 2 | Reserved | | 0 | |
| | | 1:0 | Link Detect 1:0 | R/W | 0 | 0: Link not detected 1: Link detected |

| Addr (Hex) | Name | Bits | Field | R/W | Default | Description |
|----------------|-------------------------|------|------------------------|-----|---------|---|
| 2B | Event Config | 7 | Reserved | | 0 | |
| | | 6 | PLL Lock Event | R/W | 0 | 0: Count PLL lock events 1: Do not count PLL lock events |
| | | 5 | Link Event | R/W | 0 | 0: Count link events 1: Do not count link events |
| | | 4 | Loss of Signal Event | R/W | 0 | 0: Count loss of signal events 1: Do not count loss of signal events |
| | | 3 | Event Count Select | R/W | 0 | 0: Select PLL event count for reading 1: Select link event count for reading |
| | | 2 | Clear PLL Error Count | R/W | 0 | 1: Reset PLL error count. Self clearing bit. |
| | | 1 | Clear Link Error Count | R/W | 0 | 1: Reset link error count. Self clearing bit. |
| | | 0 | Enable Count | R/W | 0 | 0: Disable event counters 1: Enable event counters |
| 2C | Event Count | 7:0 | Event Counter | R | 0 | |
| 2D Reserved | | | | | | |
| 2E | Analog Driver | 7 | Reserved | | 0 | |
| | | 6 | Reverse Data Order | R/W | 0 | 0: Normal 1: Reverse output data order |
| | | 5:2 | Reserved | R/W | 0 | |
| | | 1 | Link Detect 1 | R/W | 0 | Link detect value for channel 1 |
| | | 0 | Link Detect 0 | R/W | 0 | Link detect value for channel 0 |
| 2F | Tx Config | 7:6 | Reserved | | 0 | |
| | | 5 | Output Termination | R/W | 1'b | 0: 75 Ω terminations 1: 50 Ω terminations |
| | | 4 | Link Start | R/W | 1'b | 0: Start when TxOUT0 or TxOUT1 link 1: Start when TxOUT0 and TxOUT1 linke |
| | | 3 | Link Stop | R/W | 1'b | 0: Stop when TxOUT0 and TxOUT1 both links invalid 1: Stop when TxOUT0 or TxOUT1 break link, either link is invalid |
| | | 2 | TxOUT Override | R/W | 0 | 0: TxOUT0 enabled by default, TxOUT1_en pin controls channel1 1: Override enable of TxOUT0 and TxOUT1 |
| | | 1 | TxOUT1 Enable | R/W | 0 | 0: TxOUT1 disabled 1: TxOUT1 enabled For proper operation of TxOUT1, the TxOUT1_EN pin must be held high. |
| | | 0 | TxOOUT0 Enable | R/W | 0 | 0: TxOUT0 disabled 1: TxOUT0 enabled |
| 30 | Clock Delay | 7:5 | TxCLKIN Delay | R/W | 011'b | 000: Min clock delay, 350 ps 011: 725 ps 111: Max clock delay, 1225 ps |
| | | 4:0 | Reserved | | 00010'b | |
| 31–68 Reserved | | | | | | |
| 69 | Output Amplitude Adjust | 7:3 | Reserved | | 0 | |
| | | 2:0 | Amplitude Adjust | R/W | 011'b | 000: Level 7 001: Level 8 (Highest output) 010: Level 5 011: Level 6 (Normal output) 100: Level 4 101: Level 3 110: Level 2 111: Level 1 (Lowest output) |

Register Recipes

Many features of the serializer contained within the SMBus registers require multiple writes to configure and enable. This methodology was implemented to prevent accidental register writes from causing undesired device behavior. Several recipes for common features are listed below. When experimenting with other SMBus register features, be sure to read through the register map for override and enable bits.

SCRAMBLER OVERRIDE CONTROL

The scrambler's default settings are described in the [DEVICE CONFIGURATION](#) section. However, the scrambler's setting can be overridden if desired.

Reg 22'h, write 08'h

Reg 21'h, write to bit 3 to enable/disable

75Ω MODE

The serializer can be programmed to interface with 75Ω media by using the recipe shown below. The inverting serial output should be terminated when interfacing with single ended media.

Reg 2F'h, write 0 to bit 5

OUTPUT CHANNEL MUX CONTROL

DS32ELX0421 only. TxOUT0 is the output channel enabled by default. By using the external pin TxOUT1_EN, TxOUT1 will be activated along with TxOUT0. If an application requires that only one channel be active at a time, the following recipe allows for each channel to be enabled or disabled independent of the other.

Reg 2F'h, write 1'b to bit 2

Reg 2F'h, write to bits 1 or 0 to control the output channels

OUTPUT THE SERIAL CLOCK ON GPIO2

It is very helpful to be able to monitor high speed communication systems and observe their signal integrity. Generally, this is done with a high speed real time oscilloscope or a sampling oscilloscope. Sampling oscilloscopes require a reference clock to trigger on. The following recipe can be used to bring out the serial clock on GPIO2 to provide a trigger for sampling oscilloscopes.

Reg 04'h, write 21'h

Power Save Mode

When a system does not need to transmit high speed data from the DS32EL0421 or DS32ELX0421, the power consumption of the device can be managed as described in the [POWER MANAGEMENT](#) section on the Functional Description page. The following recipe powers down many of the analog and digital blocks in the serializer, but leaves the SMBus module operational. Please note that in order to resume normal operation the recipe below will have to be unwritten.

Reg 01'h, write 10'h

Reg 26'h, write 40'h

Redundancy / Fail Over Configuration

DS32ELX0421 only. Implementing a redundancy system with the DS32ELX0421 can be done in several ways. One method would be to program the redundancy or fail over logic into the host device or FPGA. The recipe below will describe a different method, for which a DS32ELX0421 will communicate to two different DS32EL0124 deserializers. The recipe below will configure the DS32ELX0421 serializer to automatically switch to the alternate output when the current high speed link fails.

Configure all device with Remote Sense enabled either by pin or register control. Pull TxOUT1_EN pin high

reg 2F'h, write 2D'h

Reg 2F'h, write 28'h

REVISION HISTORY

| Changes from Revision E (April 2013) to Revision F | Page |
|--|--------------------|
| • Changed layout of National Data Sheet to TI format | 25 |

PACKAGING INFORMATION

| Orderable Device | Status (1) | Package Type | Package Drawing | Pins | Package Qty | Eco Plan (2) | Lead finish/ Ball material (6) | MSL Peak Temp (3) | Op Temp (°C) | Device Marking (4/5) | Samples |
|---------------------|---------------|--------------|-----------------|------|-------------|-----------------|--------------------------------------|----------------------|--------------|-------------------------|-------------------------|
| DS32EL0421SQ/NOPB | ACTIVE | WQFN | RHS | 48 | 1000 | RoHS & Green | SN | Level-3-260C-168 HR | -40 to 85 | 32EL0421 | Samples |
| DS32EL0421SQE/NOPB | ACTIVE | WQFN | RHS | 48 | 250 | RoHS & Green | SN | Level-3-260C-168 HR | -40 to 85 | 32EL0421 | Samples |
| DS32EL0421SQX/NOPB | ACTIVE | WQFN | RHS | 48 | 2500 | RoHS & Green | SN | Level-3-260C-168 HR | -40 to 85 | 32EL0421 | Samples |
| DS32ELX0421SQE/NOPB | ACTIVE | WQFN | RHS | 48 | 250 | RoHS & Green | SN | Level-3-260C-168 HR | -40 to 85 | 32ELX0421 | Samples |

(1) The marketing status values are defined as follows:

ACTIVE: Product device recommended for new designs.

LIFEBUY: TI has announced that the device will be discontinued, and a lifetime-buy period is in effect.

NRND: Not recommended for new designs. Device is in production to support existing customers, but TI does not recommend using this part in a new design.

PREVIEW: Device has been announced but is not in production. Samples may or may not be available.

OBSOLETE: TI has discontinued the production of the device.

(2) **RoHS:** TI defines "RoHS" to mean semiconductor products that are compliant with the current EU RoHS requirements for all 10 RoHS substances, including the requirement that RoHS substance do not exceed 0.1% by weight in homogeneous materials. Where designed to be soldered at high temperatures, "RoHS" products are suitable for use in specified lead-free processes. TI may reference these types of products as "Pb-Free".

RoHS Exempt: TI defines "RoHS Exempt" to mean products that contain lead but are compliant with EU RoHS pursuant to a specific EU RoHS exemption.

Green: TI defines "Green" to mean the content of Chlorine (Cl) and Bromine (Br) based flame retardants meet JS709B low halogen requirements of <=1000ppm threshold. Antimony trioxide based flame retardants must also meet the <=1000ppm threshold requirement.

(3) MSL, Peak Temp. - The Moisture Sensitivity Level rating according to the JEDEC industry standard classifications, and peak solder temperature.

(4) There may be additional marking, which relates to the logo, the lot trace code information, or the environmental category on the device.

(5) Multiple Device Markings will be inside parentheses. Only one Device Marking contained in parentheses and separated by a "-" will appear on a device. If a line is indented then it is a continuation of the previous line and the two combined represent the entire Device Marking for that device.

(6) Lead finish/Ball material - Orderable Devices may have multiple material finish options. Finish options are separated by a vertical ruled line. Lead finish/Ball material values may wrap to two lines if the finish value exceeds the maximum column width.

Important Information and Disclaimer:The information provided on this page represents TI's knowledge and belief as of the date that it is provided. TI bases its knowledge and belief on information provided by third parties, and makes no representation or warranty as to the accuracy of such information. Efforts are underway to better integrate information from third parties. TI has taken and

continues to take reasonable steps to provide representative and accurate information but may not have conducted destructive testing or chemical analysis on incoming materials and chemicals. TI and TI suppliers consider certain information to be proprietary, and thus CAS numbers and other limited information may not be available for release.

In no event shall TI's liability arising out of such information exceed the total purchase price of the TI part(s) at issue in this document sold by TI to Customer on an annual basis.

TAPE AND REEL INFORMATION

QUADRANT ASSIGNMENTS FOR PIN 1 ORIENTATION IN TAPE

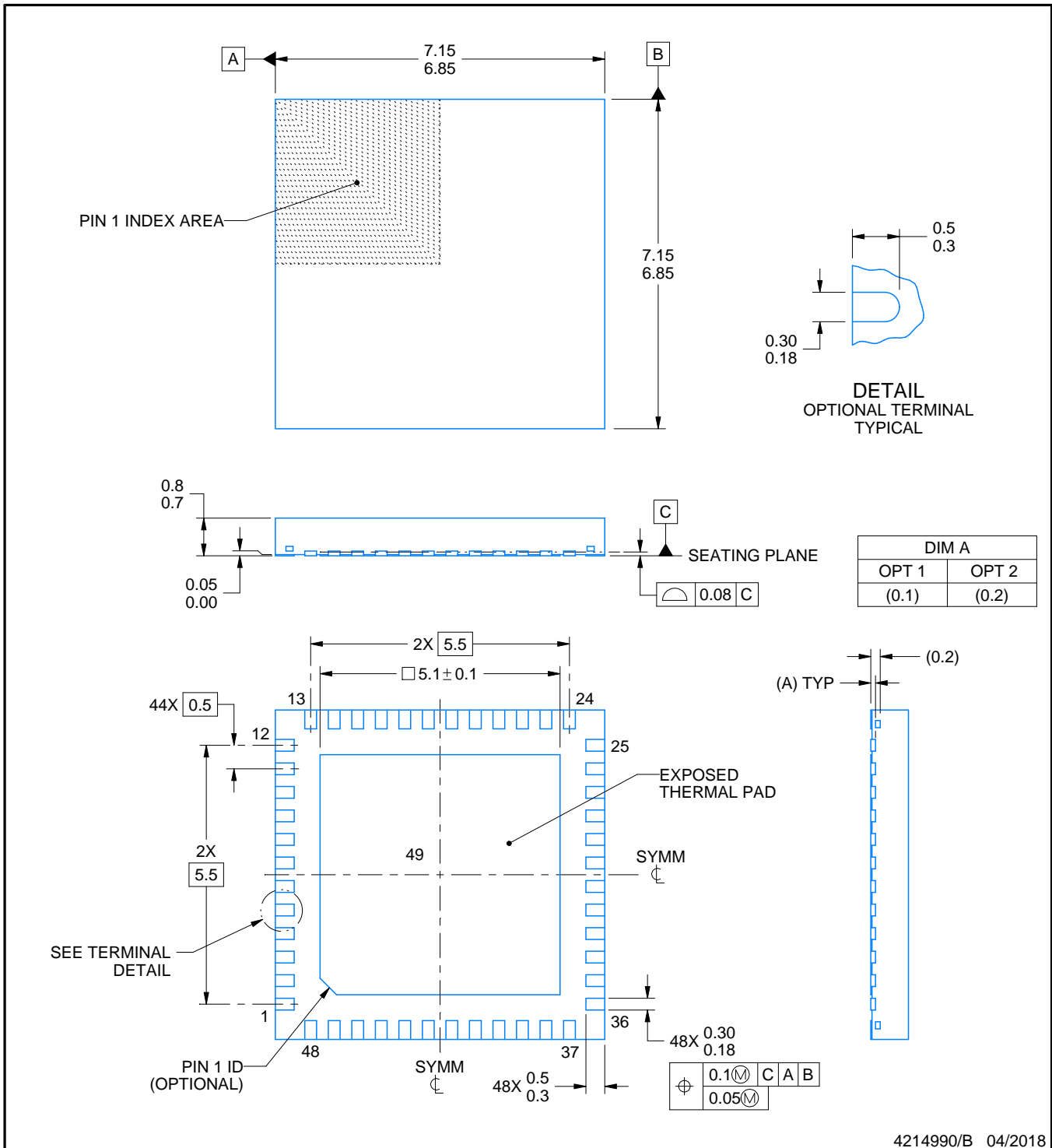

*All dimensions are nominal

| Device | Package Type | Package Drawing | Pins | SPQ | Reel Diameter (mm) | Reel Width W1 (mm) | A0 (mm) | B0 (mm) | K0 (mm) | P1 (mm) | W (mm) | Pin1 Quadrant |
|---------------------|--------------|-----------------|------|------|--------------------|--------------------|---------|---------|---------|---------|--------|---------------|
| DS32EL0421SQ/NOPB | WQFN | RHS | 48 | 1000 | 330.0 | 16.4 | 7.3 | 7.3 | 1.3 | 12.0 | 16.0 | Q1 |
| DS32EL0421SQE/NOPB | WQFN | RHS | 48 | 250 | 178.0 | 16.4 | 7.3 | 7.3 | 1.3 | 12.0 | 16.0 | Q1 |
| DS32EL0421SQX/NOPB | WQFN | RHS | 48 | 2500 | 330.0 | 16.4 | 7.3 | 7.3 | 1.3 | 12.0 | 16.0 | Q1 |
| DS32ELX0421SQE/NOPB | WQFN | RHS | 48 | 250 | 178.0 | 16.4 | 7.3 | 7.3 | 1.3 | 12.0 | 16.0 | Q1 |

TAPE AND REEL BOX DIMENSIONS


*All dimensions are nominal

| Device | Package Type | Package Drawing | Pins | SPQ | Length (mm) | Width (mm) | Height (mm) |
|---------------------|--------------|-----------------|------|------|-------------|------------|-------------|
| DS32EL0421SQ/NOPB | WQFN | RHS | 48 | 1000 | 356.0 | 356.0 | 36.0 |
| DS32EL0421SQE/NOPB | WQFN | RHS | 48 | 250 | 208.0 | 191.0 | 35.0 |
| DS32EL0421SQX/NOPB | WQFN | RHS | 48 | 2500 | 356.0 | 356.0 | 36.0 |
| DS32ELX0421SQE/NOPB | WQFN | RHS | 48 | 250 | 208.0 | 191.0 | 35.0 |



NOTES:

1. All linear dimensions are in millimeters. Any dimensions in parenthesis are for reference only. Dimensioning and tolerancing per ASME Y14.5M.
2. This drawing is subject to change without notice.
3. The package thermal pad must be soldered to the printed circuit board for thermal and mechanical performance.

EXAMPLE BOARD LAYOUT

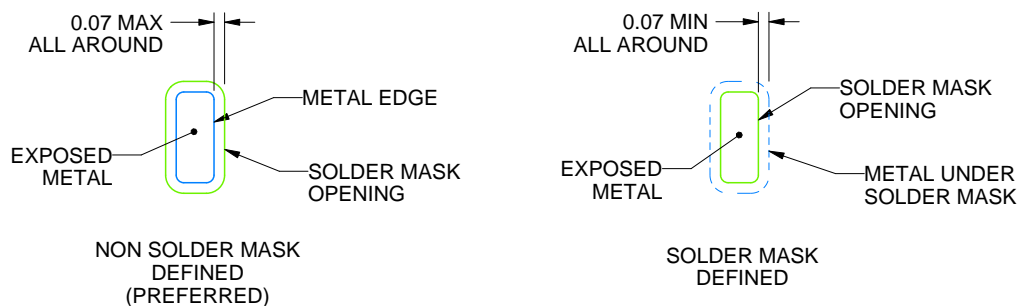
RHS0048A

WQFN - 0.8 mm max height

PLASTIC QUAD FLATPACK - NO LEAD



LAND PATTERN EXAMPLE
EXPOSED METAL SHOWN
SCALE:12X



SOLDER MASK DETAILS

4214990/B 04/2018

NOTES: (continued)

4. This package is designed to be soldered to a thermal pad on the board. For more information, see Texas Instruments literature number SLUA271 (www.ti.com/lit/slua271).
5. Vias are optional depending on application, refer to device data sheet. If any vias are implemented, refer to their locations shown on this view. It is recommended that vias under paste be filled, plugged or tented.

EXAMPLE STENCIL DESIGN

RHS0048A

WQFN - 0.8 mm max height

PLASTIC QUAD FLATPACK - NO LEAD



SOLDER PASTE EXAMPLE
BASED ON 0.125 mm THICK STENCIL

EXPOSED PAD 49
68% PRINTED SOLDER COVERAGE BY AREA UNDER PACKAGE
SCALE:15X

4214990/B 04/2018

NOTES: (continued)

6. Laser cutting apertures with trapezoidal walls and rounded corners may offer better paste release. IPC-7525 may have alternate design recommendations.

IMPORTANT NOTICE AND DISCLAIMER

TI PROVIDES TECHNICAL AND RELIABILITY DATA (INCLUDING DATA SHEETS), DESIGN RESOURCES (INCLUDING REFERENCE DESIGNS), APPLICATION OR OTHER DESIGN ADVICE, WEB TOOLS, SAFETY INFORMATION, AND OTHER RESOURCES "AS IS" AND WITH ALL FAULTS, AND DISCLAIMS ALL WARRANTIES, EXPRESS AND IMPLIED, INCLUDING WITHOUT LIMITATION ANY IMPLIED WARRANTIES OF MERCHANTABILITY, FITNESS FOR A PARTICULAR PURPOSE OR NON-INFRINGEMENT OF THIRD PARTY INTELLECTUAL PROPERTY RIGHTS.

These resources are intended for skilled developers designing with TI products. You are solely responsible for (1) selecting the appropriate TI products for your application, (2) designing, validating and testing your application, and (3) ensuring your application meets applicable standards, and any other safety, security, regulatory or other requirements.

These resources are subject to change without notice. TI grants you permission to use these resources only for development of an application that uses the TI products described in the resource. Other reproduction and display of these resources is prohibited. No license is granted to any other TI intellectual property right or to any third party intellectual property right. TI disclaims responsibility for, and you will fully indemnify TI and its representatives against, any claims, damages, costs, losses, and liabilities arising out of your use of these resources.

TI's products are provided subject to [TI's Terms of Sale](#) or other applicable terms available either on [ti.com](https://www.ti.com) or provided in conjunction with such TI products. TI's provision of these resources does not expand or otherwise alter TI's applicable warranties or warranty disclaimers for TI products.

TI objects to and rejects any additional or different terms you may have proposed.

Mailing Address: Texas Instruments, Post Office Box 655303, Dallas, Texas 75265
Copyright © 2024, Texas Instruments Incorporated