

# ISO776x 高速で堅牢な EMC 強化型 6 チャンネル・デジタル・アイソレータ

## 1 特長

- 100Mbps のデータレート
- 堅牢な絶縁バリア:
  - 推定寿命: 30 年超
  - 最高 5000V<sub>RMS</sub> の絶縁定格
  - 最高 12.8kV のサージ耐量
  - CMTI: ±100kV/μs (標準値)
- 広い電源電圧範囲: 2.25V ~ 5.5V
- 2.25V から 5.5V への電圧変換
- デフォルト出力が HIGH (ISO776x) と LOW (ISO776xF) のオプション
- 広い温度範囲: -55°C ~ +125°C
- 低消費電力: 1Mbps でチャンネルごとに標準値 1.4mA
- 小さい伝搬遅延時間: 11ns (標準値、5V 時)
- 堅牢な電磁環境適合性 (EMC):
  - システムレベルでの ESD、EFT、サージ耐性
  - 絶縁バリアの両側で ±8kV の IEC 61000-4-2 接触放電保護
  - 低い放射
- Wide-SOIC (DW-16) および SSOP (DBQ-16) パッケージ オプション
- 車載用バージョンを利用可能: ISO776x-Q1
- 安全関連認証:
  - DIN EN IEC 60747-17 (VDE 0884-17) に準拠した強化絶縁
  - UL 1577 部品認定プログラム
  - IEC 62368-1 および IEC 60601-1 準拠の CSA 認定
  - GB4943.1 準拠の CQC 認定
  - EN 62368-1 および EN 61010-1 による TUV 認証

## 2 アプリケーション

- 産業用オートメーション
- モータ制御
- 電源
- 太陽光インバータ
- 医療用機器

## 3 概要

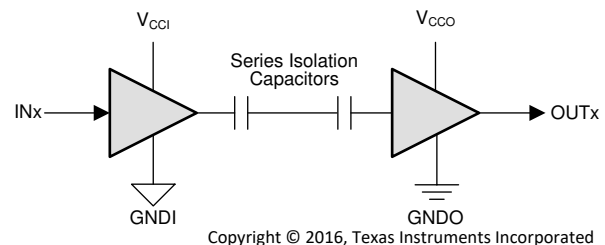
ISO776x デバイスは、高性能の 6 チャンネル・デジタル・アイソレータであり、UL 1577 準拠で 5000V<sub>RMS</sub> (DW パッケージ) および 3000V<sub>RMS</sub> (DBQ パッケージ) の絶縁定格を備えています。このファミリのデバイスは、VDE、CSA、TUV、CQC についても認定済みです。

ISO776x ファミリのデバイスは電磁気耐性が高く、放射が低く、低消費電力を実現し、CMOS または LVCMOS デジタル I/O が絶縁されています。それぞれの絶縁チャンネルにはロジック入力およびロジック出力バッファがあり、二重の容量性二酸化ケイ素 (SiO<sub>2</sub>) の絶縁バリアによって分離されています。ISO776x ファミリのデバイスは、6 つのチャンネルすべてが同じ方向、または 1、2、3 チャンネルが逆方向で他のチャンネルが順方向など、可能なすべてのピン構成で利用可能です。入力電力または入力信号が失われた場合のデフォルト出力は、接尾辞 F のないデバイスでは HIGH、接尾辞 F のあるデバイスでは LOW になります。詳細は「デバイスの機能モード」のセクションを参照してください。

絶縁電源と組み合わせて使用することで、このデバイスファミリは、データ・バス (たとえば RS-485、RS-232、CAN など) または他の回路からのノイズ電流がローカル・グランドに入り込み、敏感な回路に干渉や損傷を引き起こすことを防ぐのに役立ちます。革新的なチップ設計およびレイアウト技法により、ISO776x ファミリのデバイスは電磁環境適合性が大幅に強化されているため、システムレベルの ESD、EFT、サージ、および放射に関するコンプライアンスを容易に達成できます。ISO776x ファミリのデバイスは、16 ピンの SOIC および SSOP パッケージで供給されます。

### 製品情報

部品番号	パッケージ	本体サイズ (公称)
ISO7760 ISO7761	SOIC (16)	10.30mm × 7.50mm
ISO7762 ISO7763	SSOP (16)	4.90mm × 3.90mm



V<sub>CCI</sub> = 入力 V<sub>CC</sub>、V<sub>CCO</sub> = 出力 V<sub>CC</sub>

GNDI = 入力グランド、GNDO = 出力グランド

### 概略回路図



## Table of Contents

<b>1 特長</b> .....	1	5.19 Typical Characteristics.....	23
<b>2 アプリケーション</b> .....	1	<b>6 Parameter Measurement Information</b> .....	26
<b>3 概要</b> .....	1	<b>7 Detailed Description</b> .....	27
<b>4 Pin Configuration and Functions</b> .....	3	7.1 Overview.....	27
<b>5 Specifications</b> .....	6	7.2 Functional Block Diagram.....	27
5.1 Absolute Maximum Ratings.....	6	7.3 Feature Description.....	28
5.2 ESD Ratings.....	6	7.4 Device Functional Modes.....	29
5.3 Recommended Operating Conditions.....	7	<b>8 Application and Implementation</b> .....	30
5.4 Thermal Information.....	8	8.1 Application Information.....	30
5.5 Power Ratings.....	8	8.2 Typical Application.....	30
5.6 Insulation Specifications.....	9	<b>9 Power Supply Recommendations</b> .....	34
5.7 Safety-Related Certifications.....	11	<b>10 Layout</b> .....	35
5.8 Safety Limiting Values.....	11	10.1 Layout Guidelines.....	35
5.9 Electrical Characteristics—5-V Supply.....	13	10.2 Layout Example.....	35
5.10 Supply Current Characteristics—5-V Supply.....	13	<b>11 Device and Documentation Support</b> .....	36
5.11 Electrical Characteristics—3.3-V Supply.....	15	11.1 Documentation Support.....	36
5.12 Supply Current Characteristics—3.3-V Supply.....	15	11.2 Receiving Notification of Documentation Updates..	36
5.13 Electrical Characteristics—2.5-V Supply .....	17	11.3 Community Resources.....	36
5.14 Supply Current Characteristics—2.5-V Supply.....	17	11.4 Trademarks.....	36
5.15 Switching Characteristics—5-V Supply.....	19	<b>12 Revision History</b> .....	36
5.16 Switching Characteristics—3.3-V Supply.....	20	<b>13 Mechanical, Packaging, and Orderable          Information</b> .....	38
5.17 Switching Characteristics—2.5-V Supply.....	21		
5.18 Insulation Characteristics Curves.....	22		

## 4 Pin Configuration and Functions

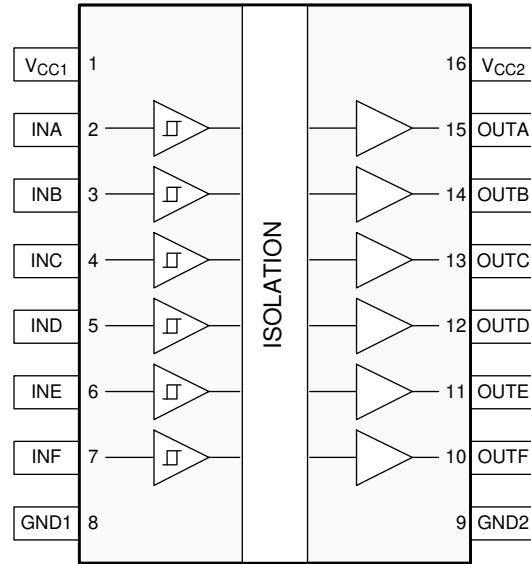


図 4-1. ISO7760 DW and DBQ Packages 16-Pin SOIC and SSOP Top View

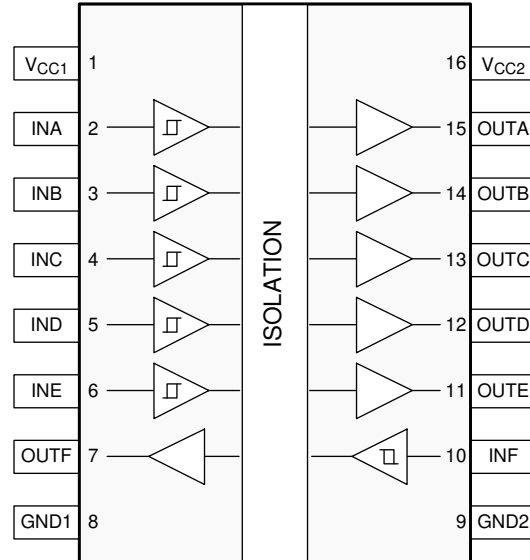


図 4-2. ISO7761 DW and DBQ Packages 16-Pin SOIC and SSOP Top View

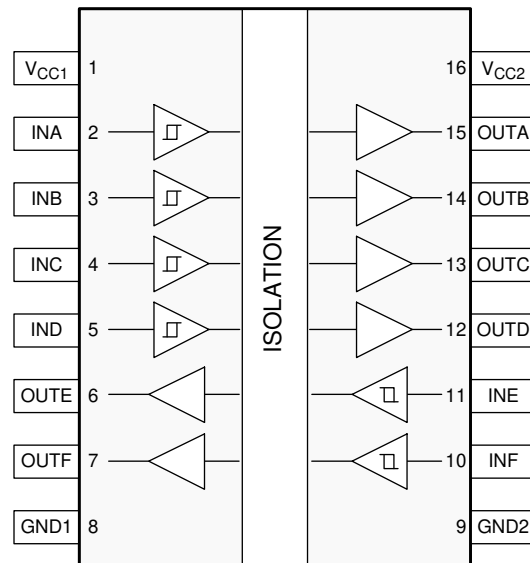


図 4-3. ISO7762 DW and DBQ Packages 16-Pin SOIC and SSOP Top View

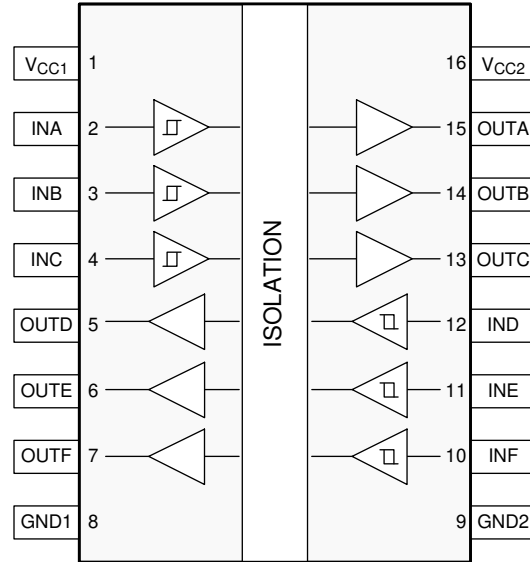


図 4-4. ISO7763 DW and DBQ Packages 16-Pin SOIC and SSOP Top View

表 4-1. Pin Functions

NAME	PIN NO.				I/O	DESCRIPTION
	ISO7760	ISO7761	ISO7762	ISO7763		
GND1	8	8	8	8	—	Ground connection for $V_{CC1}$
GND2	9	9	9	9	—	Ground connection for $V_{CC2}$
INA	2	2	2	2	I	Input, channel A
INB	3	3	3	3	I	Input, channel B
INC	4	4	4	4	I	Input, channel C
IND	5	5	5	12	I	Input, channel D
INE	6	6	11	11	I	Input, channel E
INF	7	10	10	10	I	Input, channel F
OUTA	15	15	15	15	O	Output, channel A
OUTB	14	14	14	14	O	Output, channel B
OUTC	13	13	13	13	O	Output, channel C
OUTD	12	12	12	5	O	Output, channel D
OUTE	11	11	6	6	O	Output, channel E
OUTF	10	7	7	7	O	Output, channel F
$V_{CC1}$	1	1	1	1	—	Power supply, side 1
$V_{CC2}$	16	16	16	16	—	Power supply, side 2

## 5 Specifications

### 5.1 Absolute Maximum Ratings

See<sup>(1)</sup>

		MIN	MAX	UNIT
$V_{CC1}, V_{CC2}$	Supply voltage <sup>(2)</sup>	-0.5	6	V
V	Voltage at INx, OUTx	-0.5	$V_{CCX} + 0.5$ <sup>(3)</sup>	V
$I_o$	Output current	-15	15	mA
$T_J$	Junction temperature		150	°C
$T_{stg}$	Storage temperature	-65	150	°C

- (1) Stresses beyond those listed under Absolute Maximum Ratings may cause permanent damage to the device. These are stress ratings only, which do not imply functional operation of the device at these or any other conditions beyond those indicated under Recommended Operating Conditions. Exposure to absolute-maximum-rated conditions for extended periods may affect device reliability.
- (2) All voltage values except differential I/O bus voltages are with respect to the local ground terminal (GND1 or GND2) and are peak voltage values
- (3) Maximum voltage must not exceed 6 V.

### 5.2 ESD Ratings

(1) (2)

		VALUE	UNIT
$V_{(ESD)}$	Electrostatic discharge	Human body model (HBM), per ANSI/ESDA/JEDEC JS-001, all pins <sup>(1)</sup>	±6000
		Charged device model (CDM), per JEDEC specification JESD22-C101, all pins <sup>(2)</sup>	±1500
		Contact discharge per IEC 61000-4-2; Isolation barrier withstand test <sup>(3) (4)</sup>	±8000

- (1) JEDEC document JEP155 states that 500-V HBM allows safe manufacturing with a standard ESD control process.
- (2) JEDEC document JEP157 states that 250-V CDM allows safe manufacturing with a standard ESD control process.
- (3) IEC ESD strike is applied across the barrier with all pins on each side tied together creating a two-terminal device.
- (4) Testing is carried out in air or oil to determine the intrinsic contact discharge capability of the device.

### 5.3 Recommended Operating Conditions

		MIN	NOM	MAX	UNIT
$V_{CC1}, V_{CC2}$	Supply Voltage	2.25		5.5	V
$V_{CC} (UVLO+)$	UVLO threshold when supply voltage is rising		2	2.25	V
$V_{CC} (UVLO-)$	UVLO threshold when supply voltage is falling	1.7	1.8		V
$V_{HYS} (UVLO)$	Supply voltage UVLO hysteresis	100	200		mV
$I_{OH}$	High level output current	$V_{CCO}^{(1)} = 5\text{ V}$		-4	mA
		$V_{CCO} = 3.3\text{ V}$		-2	
		$V_{CCO} = 2.5\text{ V}$		-1	
$I_{OL}$	Low level output current	$V_{CCO} = 5\text{ V}$		4	mA
		$V_{CCO} = 3.3\text{ V}$		2	
		$V_{CCO} = 2.5\text{ V}$		1	
$V_{IH}$	High level Input voltage	$0.7 \times V_{CCI}^{(1)}$		$V_{CCI}$	V
$V_{IL}$	Low level Input voltage	0		$0.3 \times V_{CCI}$	V
$DR^{(2)}$	Data Rate	0		100	Mbps
$T_A$	Ambient temperature	-55	25	125	°C

(1)  $V_{CCI}$  = Input-side  $V_{CC}$ ;  $V_{CCO}$  = Output-side  $V_{CC}$

(2) 100 Mbps is the maximum specified data rate, although higher data rates are possible.

## 5.4 Thermal Information

THERMAL METRIC <sup>(1)</sup>		ISO776x		UNIT
		DW (SOIC)	DBQ (SSOP)	
		16 PINS	16 PINS	
$R_{\theta JA}$	Junction-to-ambient thermal resistance	60.3	86.5	°C/W
$R_{\theta JC(top)}$	Junction-to-case (top) thermal resistance	24.0	26.9	°C/W
$R_{\theta JB}$	Junction-to-board thermal resistance	29.3	36.6	°C/W
$\psi_{JT}$	Junction-to-top characterization parameter	3.3	1.7	°C/W
$\psi_{JB}$	Junction-to-board characterization parameter	28.7	36.1	°C/W
$R_{\theta JC(bot)}$	Junction-to-case (bottom) thermal resistance	n/a	n/a	°C/W

(1) For more information about traditional and new thermal metrics, see the [Semiconductor and IC Package Thermal Metrics application report](#).

## 5.5 Power Ratings

PARAMETER		TEST CONDITIONS	MIN	TYP	MAX	UNIT
<b>ISO7760</b>						
$P_D$	Maximum power dissipation (both sides)	$V_{CC1} = V_{CC2} = 5.5\text{ V}$ , $T_J = 150^\circ\text{C}$ , $C_L = 15\text{ pF}$ , Input a 50-MHz 50% duty cycle square wave			314	mW
$P_{D1}$	Maximum power dissipation (side-1)				55	mW
$P_{D2}$	Maximum power dissipation (side-2)				259	mW
<b>ISO7761</b>						
$P_D$	Maximum power dissipation (both sides)	$V_{CC1} = V_{CC2} = 5.5\text{ V}$ , $T_J = 150^\circ\text{C}$ , $C_L = 15\text{ pF}$ , Input a 50-MHz 50% duty cycle square wave			314	mW
$P_{D1}$	Maximum power dissipation (side-1)				88	mW
$P_{D2}$	Maximum power dissipation (side-2)				226	mW
<b>ISO7762</b>						
$P_D$	Maximum power dissipation (both sides)	$V_{CC1} = V_{CC2} = 5.5\text{ V}$ , $T_J = 150^\circ\text{C}$ , $C_L = 15\text{ pF}$ , Input a 50-MHz 50% duty cycle square wave			314	mW
$P_{D1}$	Maximum power dissipation (side-1)				122	mW
$P_{D2}$	Maximum power dissipation (side-2)				192	mW
<b>ISO7763</b>						
$P_D$	Maximum power dissipation (both sides)	$V_{CC1} = V_{CC2} = 5.5\text{ V}$ , $T_J = 150^\circ\text{C}$ , $C_L = 15\text{ pF}$ , Input a 50-MHz 50% duty cycle square wave			314	mW
$P_{D1}$	Maximum power dissipation (side-1)				157	mW
$P_{D2}$	Maximum power dissipation (side-2)				157	mW



## 5.6 Insulation Specifications

PARAMETER		TEST CONDITIONS	VALUE		UNIT	
			DW-16	DBQ-16		
CLR	External clearance <sup>(1)</sup>	Shortest terminal-to-terminal distance through air	>8	>3.7	mm	
CPG	External creepage <sup>(1)</sup>	Shortest terminal-to-terminal distance across the package surface	>8	>3.7	mm	
DTI	Distance through the insulation	Minimum internal gap (internal clearance)	>17	>17	μm	
CTI	Comparative tracking index	DIN EN 60112 (VDE 0303-11); IEC 60112; UL 746A	>600	>600	V	
	Material group	According to IEC 60664-1	I	I		
	Overvoltage category per IEC 60664-1	Rated mains voltage ≤ 150 V <sub>RMS</sub>	I-IV	I-IV		
		Rated mains voltage ≤ 300 V <sub>RMS</sub>	I-IV	I-III		
		Rated mains voltage ≤ 600 V <sub>RMS</sub>	I-IV	n/a		
		Rated mains voltage ≤ 1000 V <sub>RMS</sub>	I-III	n/a		
<b>DIN EN IEC 60747-17 (VDE 0884-17)<sup>(2)</sup></b>						
V <sub>IORM</sub>	Maximum repetitive peak isolation voltage	AC voltage (bipolar)	2121	566	V <sub>PK</sub>	
V <sub>IOWM</sub>	Maximum working isolation voltage	AC voltage; Time dependent dielectric breakdown (TDDB) test; See <a href="#">8-7</a>	1500	400	V <sub>RMS</sub>	
		DC voltage	2121	566	V <sub>DC</sub>	
V <sub>IOTM</sub>	Maximum transient isolation voltage	V <sub>TEST</sub> = V <sub>IOTM</sub> , t = 60 s (qualification); V <sub>TEST</sub> = 1.2 x V <sub>IOTM</sub> , t = 1 s (100% production)	ISO7760	8000	4242	V <sub>PK</sub>
			ISO7761, ISO7762, ISO7763	7071		
V <sub>IMP</sub>	Maximum impulse voltage <sup>(3)</sup>	Tested in air, 1.2/50-μs waveform per IEC 62368-1	8000	4000	V <sub>PK</sub>	
V <sub>IOSM</sub>	Maximum surge isolation voltage <sup>(4)</sup>	V <sub>IOSM</sub> ≥ 1.3 x V <sub>IMP</sub> ; Tested in oil (qualification test), 1.2/50-μs waveform per IEC 62368-1	12800	10000	V <sub>PK</sub>	
q <sub>pd</sub>	Apparent charge <sup>(5)</sup>	Method a, After Input-output safety test subgroup 2/3, V <sub>ini</sub> = V <sub>IOTM</sub> , t <sub>ini</sub> = 60 s; V <sub>pd(m)</sub> = 1.2 x V <sub>IORM</sub> , t <sub>m</sub> = 10 s	≤5	≤5	pC	
		Method a, After environmental tests subgroup 1, V <sub>ini</sub> = V <sub>IOTM</sub> , t <sub>ini</sub> = 60 s; V <sub>pd(m)</sub> = 1.6 x V <sub>IORM</sub> , t <sub>m</sub> = 10 s	≤5	≤5		
		Method b: At routine test (100% production) and preconditioning (type test); V <sub>ini</sub> = 1.2 x V <sub>IOTM</sub> , t <sub>ini</sub> = 1 s; V <sub>pd(m)</sub> = 1.875 x V <sub>IORM</sub> , t <sub>m</sub> = 1 s (method b1) or V <sub>pd(m)</sub> = V <sub>ini</sub> , t <sub>m</sub> = t <sub>ini</sub> (method b2)	≤5	≤5		
C <sub>IO</sub>	Barrier capacitance, input to output <sup>(6)</sup>	V <sub>IO</sub> = 0.4 x sin (2πft), f = 1 MHz	~1.1	~0.9	pF	
R <sub>IO</sub>	Isolation resistance <sup>(6)</sup>	V <sub>IO</sub> = 500 V, T <sub>A</sub> = 25°C	>10 <sup>12</sup>	>10 <sup>12</sup>	Ω	
		V <sub>IO</sub> = 500 V, 100°C ≤ T <sub>A</sub> ≤ 125°C	>10 <sup>11</sup>	>10 <sup>11</sup>		
		V <sub>IO</sub> = 500 V, T <sub>S</sub> = 150°C	>10 <sup>9</sup>	>10 <sup>9</sup>		
	Pollution degree		2	2		
	Climatic category		55/125/ 21	55/125/ 21		
<b>UL 1577</b>						
V <sub>ISO</sub>	Maximum withstanding isolation voltage	V <sub>TEST</sub> = V <sub>ISO</sub> , t = 60 s (qualification), V <sub>TEST</sub> = 1.2 x V <sub>ISO</sub> , t = 1 s (100% production)	5000	3000	V <sub>RMS</sub>	

- (1) Creepage and clearance requirements should be applied according to the specific equipment isolation standards of an application. Care should be taken to maintain the creepage and clearance distance of a board design to ensure that the mounting pads of the isolator on the printed-circuit board do not reduce this distance. Creepage and clearance on a printed-circuit board become equal in certain cases. Techniques such as inserting grooves and/or ribs on a printed-circuit board are used to help increase these specifications.

**ISO7760, ISO7761, ISO7762, ISO7763**JAJSDM1H – AUGUST 2017 – REVISED JANUARY 2024

---

- (2) This coupler is suitable for *safe electrical insulation* only within the safety ratings. Compliance with the safety ratings shall be ensured by means of suitable protective circuits.
- (3) Testing is carried out in air to determine the surge immunity of the package
- (4) Testing is carried out in oil to determine the intrinsic surge immunity of the isolation barrier.
- (5) Apparent charge is electrical discharge caused by a partial discharge (pd).
- (6) All pins on each side of the barrier tied together creating a two-terminal device.

## 5.7 Safety-Related Certifications

VDE	CSA	UL	CQC	TUV
Certified according to DIN EN IEC 60747-17 (VDE 0884-17)	Certified according to IEC 62368-1 and IEC 60601-1	Recognized under UL 1577 Component Recognition Program	Certified according to GB 4943.1	Certified according to EN 61010-1 and EN 62368-1
Reinforced Insulation; Maximum transient isolation voltage, 8000 V <sub>PK</sub> (ISO7760 in DW-16), 7071 V <sub>PK</sub> (ISO7761, ISO7762, ISO7763 in DW-16) and 4242 V <sub>PK</sub> (DBQ-16); Maximum repetitive peak isolation voltage, 2121 V <sub>PK</sub> (DW-16) and 566 V <sub>PK</sub> (DBQ-16); Maximum surge isolation voltage, 12800 V <sub>PK</sub> (DW-16) and 10000 V <sub>PK</sub> (DBQ-16)	Reinforced insulation per CSA 62368-1 and IEC 62368-1 800 V <sub>RMS</sub> (DW-16) and 370 V <sub>RMS</sub> (DBQ-16) maximum working voltage (pollution degree 2, material group I); DW-16: 2 MOPP (Means of Patient Protection) per CSA 60601-1 and IEC 60601-1, 250 V <sub>RMS</sub> maximum working voltage	DW-16: Single protection, 5000 V <sub>RMS</sub> ; DBQ-16: Single protection, 3000 V <sub>RMS</sub>	DW-16: Reinforced Insulation, Altitude ≤ 5000 m, Tropical Climate, 700 V <sub>RMS</sub> maximum working voltage; DBQ-16: Basic Insulation, Altitude ≤ 5000 m, Tropical Climate, 400 V <sub>RMS</sub> maximum working voltage	5000 V <sub>RMS</sub> Reinforced insulation per EN 61010-1 up to working voltage of 600 V <sub>RMS</sub> (DW-16) and 300 V <sub>RMS</sub> (DBQ-16) 5000 V <sub>RMS</sub> Reinforced insulation per EN 62368-1 up to working voltage of 600 V <sub>RMS</sub> (DW-16) and 370 V <sub>RMS</sub> (DBQ-16)
Certificate number: 40040142	Master contract number: 220991	File number: E181974	Certificate numbers: CQC15001121716 (DW) CQC18001199097 (DBQ)	Client ID number: 77311

## 5.8 Safety Limiting Values

Safety limiting<sup>(1)</sup> intends to minimize potential damage to the isolation barrier upon failure of input or output circuitry.

PARAMETER		TEST CONDITIONS	MIN	TYP	MAX	UNIT
<b>DW-16 PACKAGE</b>						
I <sub>S</sub>	Safety input, output, or supply current <sup>(1)</sup>	R <sub>θJA</sub> = 60.3°C/W, V <sub>I</sub> = 5.5 V, T <sub>J</sub> = 150°C, T <sub>A</sub> = 25°C, see <a href="#">5-1</a>			377	mA
		R <sub>θJA</sub> = 60.3°C/W, V <sub>I</sub> = 3.6 V, T <sub>J</sub> = 150°C, T <sub>A</sub> = 25°C, see <a href="#">5-1</a>			576	
		R <sub>θJA</sub> = 60.3°C/W, V <sub>I</sub> = 2.75 V, T <sub>J</sub> = 150°C, T <sub>A</sub> = 25°C, see <a href="#">5-1</a>			754	
P <sub>S</sub>	Safety input, output, or total power <sup>(1)</sup>	R <sub>θJA</sub> = 60.3°C/W, T <sub>J</sub> = 150°C, T <sub>A</sub> = 25°C, see <a href="#">5-3</a>			2073	mW
T <sub>S</sub>	Maximum safety temperature <sup>(1)</sup>				150	°C
<b>DBQ-16 PACKAGE</b>						
I <sub>S</sub>	Safety input, output, or supply current <sup>(1)</sup>	R <sub>θJA</sub> = 86.5°C/W, V <sub>I</sub> = 5.5 V, T <sub>J</sub> = 150°C, T <sub>A</sub> = 25°C, see <a href="#">5-2</a>			263	mA
		R <sub>θJA</sub> = 86.5°C/W, V <sub>I</sub> = 3.6 V, T <sub>J</sub> = 150°C, T <sub>A</sub> = 25°C, see <a href="#">5-2</a>			401	
		R <sub>θJA</sub> = 86.5°C/W, V <sub>I</sub> = 2.75 V, T <sub>J</sub> = 150°C, T <sub>A</sub> = 25°C, see <a href="#">5-2</a>			525	
P <sub>S</sub>	Safety input, output, or total power <sup>(1)</sup>	R <sub>θJA</sub> = 86.5°C/W, T <sub>J</sub> = 150°C, T <sub>A</sub> = 25°C, see <a href="#">5-4</a>			1445	mW
T <sub>S</sub>	Maximum safety temperature <sup>(1)</sup>				150	°C

(1) The maximum safety temperature, T<sub>S</sub>, has the same value as the maximum junction temperature, T<sub>J</sub>, specified for the device. The I<sub>S</sub> and P<sub>S</sub> parameters represent the safety current and safety power respectively. The maximum limits of I<sub>S</sub> and P<sub>S</sub> should not be exceeded. These limits vary with the ambient temperature, T<sub>A</sub>.

The junction-to-air thermal resistance, R<sub>θJA</sub>, in the table is that of a device installed on a high-K test board for leaded surface-mount packages. Use these equations to calculate the value for each parameter:

T<sub>J</sub> = T<sub>A</sub> + R<sub>θJA</sub> × P, where P is the power dissipated in the device.

T<sub>J(max)</sub> = T<sub>S</sub> = T<sub>A</sub> + R<sub>θJA</sub> × P<sub>S</sub>, where T<sub>J(max)</sub> is the maximum allowed junction temperature.

$P_S = I_S \times V_I$ , where  $V_I$  is the maximum input voltage.

### 5.9 Electrical Characteristics—5-V Supply

VCC1 = VCC2 = 5 V ± 10% (over recommended operating conditions unless otherwise noted)

PARAMETER		TEST CONDITIONS	MIN	TYP	MAX	UNIT
V <sub>OH</sub>	High-level output voltage	I <sub>OH</sub> = -4 mA; See <a href="#">Figure 6-1</a>	V <sub>CCO</sub> <sup>(1)</sup> - 0.4	4.8		V
V <sub>OL</sub>	Low-level output voltage	I <sub>OL</sub> = 4 mA; See <a href="#">Figure 6-1</a>		0.2	0.4	V
V <sub>IT+(IN)</sub>	Rising input switching threshold			0.6 x V <sub>CCI</sub>	0.7 x V <sub>CCI</sub>	V
V <sub>IT-(IN)</sub>	Falling input switching threshold		0.3 x V <sub>CCI</sub>	0.4 x V <sub>CCI</sub>		V
V <sub>I(HYS)</sub>	Input threshold voltage hysteresis		0.1 x V <sub>CCI</sub>	0.2 x V <sub>CCI</sub>		V
I <sub>IH</sub>	High-level input current	V <sub>IH</sub> = V <sub>CCI</sub> <sup>(1)</sup> at INx			10	μA
I <sub>IL</sub>	Low-level input current	V <sub>IL</sub> = 0 V at INx	-10			μA
CMTI	Common mode transient immunity	V <sub>I</sub> = V <sub>CCI</sub> or 0 V, V <sub>CM</sub> = 1200 V; See <a href="#">Figure 6-3</a>	85	100		kV/μs
C <sub>I</sub>	Input Capacitance <sup>(2)</sup>	V <sub>I</sub> = V <sub>CC</sub> / 2 + 0.4 × sin(2πft), f = 1 MHz, V <sub>CC</sub> = 5 V		2		pF

(1) V<sub>CCI</sub> = Input-side V<sub>CC</sub>; V<sub>CCO</sub> = Output-side V<sub>CC</sub>

(2) Measured from input pin to same side ground.

### 5.10 Supply Current Characteristics—5-V Supply

VCC1 = VCC2 = 5 V ± 10% (over recommended operating conditions unless otherwise noted).

PARAMETER	TEST CONDITIONS	SUPPLY CURRENT	MIN	TYP	MAX	UNIT	
<b>ISO7760</b>							
Supply current - DC signal	V <sub>I</sub> = V <sub>CCI</sub> (ISO7760); V <sub>I</sub> = 0 V (ISO7760 with F suffix)	I <sub>CC1</sub>		1.6	2.9	mA	
		I <sub>CC2</sub>		3	5.3		
	V <sub>I</sub> = 0 V (ISO7760); V <sub>I</sub> = V <sub>CCI</sub> (ISO7760 with F suffix)	I <sub>CC1</sub>		8	11.3		
		I <sub>CC2</sub>		3.3	5.7		
Supply current - AC signal	All channels switching with square wave clock input; C <sub>L</sub> = 15 pF	1 Mbps	I <sub>CC1</sub>		5		6.5
			I <sub>CC2</sub>		3.5		5.9
		10 Mbps	I <sub>CC1</sub>		5.2		6.7
			I <sub>CC2</sub>		6.4		9.7
		100 Mbps	I <sub>CC1</sub>		7	9.2	
			I <sub>CC2</sub>		35	47	
<b>ISO7761</b>							
Supply current - DC signal	V <sub>I</sub> = V <sub>CCI</sub> <sup>(1)</sup> (ISO7761); V <sub>I</sub> = 0 V (ISO7761 with F suffix)	I <sub>CC1</sub>		1.9	3.5	mA	
		I <sub>CC2</sub>		2.9	5.4		
	V <sub>I</sub> = 0 V (ISO7761); V <sub>I</sub> = V <sub>CCI</sub> (ISO7761 with F suffix)	I <sub>CC1</sub>		7.3	10.6		
		I <sub>CC2</sub>		4.2	6.9		
Supply current - AC signal	All channels switching with square wave clock input; C <sub>L</sub> = 15 pF	1 Mbps	I <sub>CC1</sub>		4.7		6.6
			I <sub>CC2</sub>		3.8		6.5
		10 Mbps	I <sub>CC1</sub>		5.3		8
			I <sub>CC2</sub>		6.3		9.6
		100 Mbps	I <sub>CC1</sub>		11.5	15.6	
			I <sub>CC2</sub>		30.5	40.3	
<b>ISO7762</b>							

**ISO7760, ISO7761, ISO7762, ISO7763**

JAJSDM1H – AUGUST 2017 – REVISED JANUARY 2024

 $V_{CC1} = V_{CC2} = 5\text{ V} \pm 10\%$  (over recommended operating conditions unless otherwise noted).

PARAMETER	TEST CONDITIONS	SUPPLY CURRENT	MIN	TYP	MAX	UNIT
Supply current - DC signal	$V_I = V_{CCI}$ (ISO7762); $V_I = 0\text{ V}$ (ISO7762 with F suffix)	$I_{CC1}$		2.1	4.1	mA
		$I_{CC2}$		2.6	4.9	
	$V_I = 0\text{ V}$ (ISO7762); $V_I = V_{CCI}$ (ISO7762 with F suffix)	$I_{CC1}$		6.5	9.3	
		$I_{CC2}$		5	7.6	
Supply current - AC signal	All channels switching with square wave clock input; $C_L = 15\text{ pF}$	1 Mbps	$I_{CC1}$		4.5	6.7
			$I_{CC2}$		4	6.5
		10 Mbps	$I_{CC1}$		5.6	8
			$I_{CC2}$		6	8.9
		100 Mbps	$I_{CC1}$		16.5	21.3
			$I_{CC2}$		25.7	34
<b>ISO7763</b>						
Supply current - DC signal	$V_I = V_{CCI}$ (ISO7763); $V_I = 0\text{ V}$ (ISO7763 with F suffix)	$I_{CC1}, I_{CC2}$		2.4	4.7	mA
		$I_{CC1}, I_{CC2}$		5.7	8.6	
Supply current - AC signal	All channels switching with square wave clock input; $C_L = 15\text{ pF}$	1 Mbps	$I_{CC1}, I_{CC2}$		4.2	6.8
		10 Mbps	$I_{CC1}, I_{CC2}$		5.8	8.7
		100 Mbps	$I_{CC1}, I_{CC2}$		21	28.4

 (1)  $V_{CCI} = \text{Input-side } V_{CC}$

### 5.11 Electrical Characteristics—3.3-V Supply

$V_{CC1} = V_{CC2} = 3.3\text{ V} \pm 10\%$  (over recommended operating conditions unless otherwise noted).

PARAMETER		TEST CONDITIONS	MIN	TYP	MAX	UNIT
$V_{OH}$	High-level output voltage	$I_{OH} = -2\text{mA}$ ; See <a href="#">6-1</a>	$V_{CCO}^{(1)} - 0.3$	3.2		V
$V_{OL}$	Low-level output voltage	$I_{OL} = 2\text{mA}$ ; See <a href="#">6-1</a>		0.1	0.3	V
$V_{IT+(IN)}$	Rising input switching threshold			$0.6 \times V_{CCI}$	$0.7 \times V_{CCI}^{(1)}$	V
$V_{IT-(IN)}$	Falling input switching threshold		$0.3 \times V_{CCI}$	$0.4 \times V_{CCI}$		V
$V_{I(HYS)}$	Input threshold voltage hysteresis		$0.1 \times V_{CCI}$	$0.2 \times V_{CCI}$		V
$I_{IH}$	High-level input current	$V_{IH} = V_{CCI}^{(1)}$ at INx			10	$\mu\text{A}$
$I_{IL}$	Low-level input current	$V_{IL} = 0\text{ V}$ at INx	-10			$\mu\text{A}$
CMTI	Common mode transient immunity	$V_I = V_{CC}$ or $0\text{ V}$ , $V_{CM} = 1200\text{ V}$ ; See <a href="#">6-3</a>	85	100		kV/us

(1)  $V_{CCI}$  = Input-side  $V_{CC}$ ;  $V_{CCO}$  = Output-side  $V_{CC}$

### 5.12 Supply Current Characteristics—3.3-V Supply

$V_{CC1} = V_{CC2} = 3.3\text{ V} \pm 10\%$  (over recommended operating conditions unless otherwise noted).

PARAMETER	TEST CONDITIONS	SUPPLY CURRENT	MIN	TYP	MAX	UNIT
<b>ISO7760</b>						
Supply current - DC signal	$V_I = V_{CC1}$ (ISO7760); $V_I = 0\text{ V}$ (ISO7760 with F suffix)	$I_{CC1}$		1.6	2.9	mA
		$I_{CC2}$		3	5.3	
	$V_I = 0\text{ V}$ (ISO7760); $V_I = V_{CC1}$ (ISO7760 with F suffix)	$I_{CC1}$		8	11.4	
		$I_{CC2}$		3.3	5.7	
Supply current - AC signal	All channels switching with square wave clock input; $C_L = 15\text{ pF}$	1 Mbps	$I_{CC1}$		4.9	6.4
			$I_{CC2}$		3.4	5.7
		10 Mbps	$I_{CC1}$		5	6.6
			$I_{CC2}$		5.5	8.5
		100 Mbps	$I_{CC1}$		6.3	8.1
			$I_{CC2}$		26	35
<b>ISO7761</b>						
Supply current - DC signal	$V_I = V_{CCI}^{(1)}$ (ISO7761); $V_I = 0\text{ V}$ (ISO7761 with F suffix)	$I_{CC1}$		1.8	3.5	mA
		$I_{CC2}$		2.9	5.3	
	$V_I = 0\text{ V}$ (ISO7761); $V_I = V_{CCI}$ (ISO7761 with F suffix)	$I_{CC1}$		7.2	10.3	
		$I_{CC2}$		4.2	6.9	
Supply current - AC signal	All channels switching with square wave clock input; $C_L = 15\text{ pF}$	1 Mbps	$I_{CC1}$		4.6	6.5
			$I_{CC2}$		3.7	6.3
		10 Mbps	$I_{CC1}$		5.1	7.5
			$I_{CC2}$		5.5	8.6
		100 Mbps	$I_{CC1}$		9.4	12.7
			$I_{CC2}$		22.8	30.5
<b>ISO7762</b>						

$V_{CC1} = V_{CC2} = 3.3\text{ V} \pm 10\%$  (over recommended operating conditions unless otherwise noted).

PARAMETER	TEST CONDITIONS		SUPPLY CURRENT	MIN	TYP	MAX	UNIT
Supply current - DC signal	$V_I = V_{CCI}$ (ISO7762); $V_I = 0\text{ V}$ (ISO7762 with F suffix)		$I_{CC1}$		2.1	4	mA
			$I_{CC2}$		2.5	4.8	
	$V_I = 0\text{ V}$ (ISO7762); $V_I = V_{CCI}$ (ISO7762 with F suffix)		$I_{CC1}$		6.5	9.4	
			$I_{CC2}$		5	7.5	
Supply current - AC signal	All channels switching with square wave clock input; $C_L = 15\text{ pF}$	1 Mbps	$I_{CC1}$		4.4	6.6	
			$I_{CC2}$		3.9	6.3	
		10 Mbps	$I_{CC1}$		5.2	7.5	
			$I_{CC2}$		5.4	8.1	
		100 Mbps	$I_{CC1}$		12.9	16.9	
			$I_{CC2}$		19.5	26	
<b>ISO7763</b>							
Supply current - DC signal	$V_I = V_{CCI}$ (ISO7763); $V_I = 0\text{ V}$ (ISO7763 with F suffix)		$I_{CC1}, I_{CC2}$		2.4	4.6	mA
			$I_{CC1}, I_{CC2}$		5.7	8.4	
Supply current - AC signal	All channels switching with square wave clock input; $C_L = 15\text{ pF}$	1 Mbps	$I_{CC1}, I_{CC2}$		4.2	6.6	
		10 Mbps	$I_{CC1}, I_{CC2}$		5.2	8.1	
		100 Mbps	$I_{CC1}, I_{CC2}$		16	21.9	

(1)  $V_{CCI} = \text{Input-side } V_{CC}$



### 5.13 Electrical Characteristics—2.5-V Supply

$V_{CC1} = V_{CC2} = 2.5\text{ V} \pm 10\%$  (over recommended operating conditions unless otherwise noted).

PARAMETER		TEST CONDITIONS	MIN	TYP	MAX	UNIT
$V_{OH}$	High-level output voltage	$I_{OH} = -1\text{ mA}$ ; See <a href="#">6-1</a>	$V_{CCO}^{(1)} - 0.2$	2.45		V
$V_{OL}$	Low-level output voltage	$I_{OL} = 1\text{ mA}$ ; See <a href="#">6-1</a>		0.05	0.2	V
$V_{IT+(IN)}$	Rising input switching threshold			$0.6 \times V_{CCI}$	$0.7 \times V_{CCI}^{(1)}$	V
$V_{IT-(IN)}$	Falling input switching threshold		$0.3 \times V_{CCI}$	$0.4 \times V_{CCI}$		V
$V_{I(HYS)}$	Input threshold voltage hysteresis		$0.1 \times V_{CCI}$	$0.2 \times V_{CCI}$		V
$I_{IH}$	High-level input current	$V_{IH} = V_{CCI}^{(1)}$ at INx			10	$\mu\text{A}$
$I_{IL}$	Low-level input current	$V_{IL} = 0\text{ V}$ at INx	-10			$\mu\text{A}$
CMTI	Common mode transient immunity	$V_I = V_{CC}$ or $0\text{ V}$ , $V_{CM} = 1200\text{ V}$ ; See <a href="#">6-3</a>	85	100		kV/us

(1)  $V_{CCI}$  = Input-side  $V_{CC}$ ;  $V_{CCO}$  = Output-side  $V_{CC}$

### 5.14 Supply Current Characteristics—2.5-V Supply

$V_{CC1} = V_{CC2} = 2.5\text{ V} \pm 10\%$  (over recommended operating conditions unless otherwise noted).

PARAMETER	TEST CONDITIONS	SUPPLY CURRENT	MIN	TYP	MAX	UNIT
<b>ISO7760</b>						
Supply current - DC signal	$V_I = V_{CC1}$ (ISO7760); $V_I = 0\text{ V}$ (ISO7760 with F suffix)	$I_{CC1}$		1.6	2.9	mA
		$I_{CC2}$		3	5.2	
	$V_I = 0\text{ V}$ (ISO7760); $V_I = V_{CC1}$ (ISO7760 with F suffix)	$I_{CC1}$		8	11.6	
		$I_{CC2}$		3.3	5.7	
Supply current - AC signal	All channels switching with square wave clock input; $C_L = 15\text{ pF}$	1 Mbps	$I_{CC1}$		4.9	6.4
			$I_{CC2}$		3.4	5.7
		10 Mbps	$I_{CC1}$		5	6.5
			$I_{CC2}$		4.9	7.7
		100 Mbps	$I_{CC1}$		6	7.7
			$I_{CC2}$		20.3	27.9
<b>ISO7761</b>						
Supply current - DC signal	$V_I = V_{CCI}^{(1)}$ (ISO7761); $V_I = 0\text{ V}$ (ISO7761 with F suffix)	$I_{CC1}$		1.8	3.4	mA
		$I_{CC2}$		2.9	5.3	
	$V_I = 0\text{ V}$ (ISO7761); $V_I = V_{CCI}$ (ISO7761 with F suffix)	$I_{CC1}$		7.2	10.3	
		$I_{CC2}$		4.2	6.8	
Supply current - AC signal	All channels switching with square wave clock input; $C_L = 15\text{ pF}$	1 Mbps	$I_{CC1}$		4.6	6.5
			$I_{CC2}$		3.7	6.3
		10 Mbps	$I_{CC1}$		4.9	7.2
			$I_{CC2}$		5	7.9
		100 Mbps	$I_{CC1}$		8.3	11.2
			$I_{CC2}$		18.1	24.6
<b>ISO7762</b>						

**ISO7760, ISO7761, ISO7762, ISO7763**

JAJSDM1H – AUGUST 2017 – REVISED JANUARY 2024

 $V_{CC1} = V_{CC2} = 2.5\text{ V} \pm 10\%$  (over recommended operating conditions unless otherwise noted).

PARAMETER	TEST CONDITIONS	SUPPLY CURRENT	MIN	TYP	MAX	UNIT
Supply current - DC signal	$V_I = V_{CC1}$ (ISO7762); $V_I = 0\text{ V}$ (ISO7762 with F suffix)	$I_{CC1}$		2.1	4	mA
		$I_{CC2}$		2.6	4.8	
	$V_I = 0\text{ V}$ (ISO7762); $V_I = V_{CC1}$ (ISO7762 with F suffix)	$I_{CC1}$		6.5	9.6	
		$I_{CC2}$		4.9	7.4	
Supply current - AC signal	All channels switching with square wave clock input; $C_L = 15\text{ pF}$	1 Mbps	$I_{CC1}$		4.4	6.5
			$I_{CC2}$		3.9	6.3
		10 Mbps	$I_{CC1}$		5	7.2
			$I_{CC2}$		5	7.6
		100 Mbps	$I_{CC1}$		10.9	14.4
			$I_{CC2}$		15.6	21.3
<b>ISO7763</b>						
Supply current - DC signal	$V_I = V_{CC1}$ (ISO7763); $V_I = 0\text{ V}$ (ISO7763 with F suffix)	$I_{CC1}, I_{CC2}$		2.3	4.6	mA
		$I_{CC1}, I_{CC2}$		5.7	8.4	
Supply current - AC signal	All channels switching with square wave clock input; $C_L = 15\text{ pF}$	1 Mbps	$I_{CC1}, I_{CC2}$		4.1	6.6
		10 Mbps	$I_{CC1}, I_{CC2}$		4.9	7.6
		100 Mbps	$I_{CC1}, I_{CC2}$		13	18.1

 (1)  $V_{CCI} = \text{Input-side } V_{CC}$

## 5.15 Switching Characteristics—5-V Supply

$V_{CC1} = V_{CC2} = 5\text{ V} \pm 10\%$  (over recommended operating conditions unless otherwise noted)

PARAMETER		TEST CONDITIONS	MIN	TYP	MAX	UNIT
<b>ISO776x</b>						
$t_{PLH}, t_{PHL}$	Propagation delay time	See <a href="#">6-1</a>	6	11	17	ns
PWD	Pulse width distortion <sup>(1)</sup> $ t_{PHL} - t_{PLH} $		0.4	5.9	ns	
$t_{sk(o)}$	Channel-to-channel output skew time <sup>(2)</sup>	Same-direction channels			4	ns
$t_{sk(pp)}$	Part-to-part skew time <sup>(3)</sup>				4.5	ns
$t_r$	Output signal rise time	See <a href="#">6-1</a>		1.1	3.9	ns
$t_f$	Output signal fall time		1.4	3.9	ns	
$t_{DO}$	Default output delay time from input power loss	Measured from the time $V_{CC}$ goes below 1.7V. See <a href="#">6-2</a>		0.2	0.3	$\mu\text{s}$
$t_{ie}$	Time interval error	$2^{16} - 1$ PRBS data at 100 Mbps		1.3		ns

- (1) Also known as pulse skew.
- (2)  $t_{sk(o)}$  is the skew between outputs of a single device with all driving inputs connected together and the outputs switching in the same direction while driving identical loads.
- (3)  $t_{sk(pp)}$  is the magnitude of the difference in propagation delay times between any terminals of different devices switching in the same direction while operating at identical supply voltages, temperature, input signals and loads.

## 5.16 Switching Characteristics—3.3-V Supply

$V_{CC1} = V_{CC2} = 3.3\text{ V} \pm 10\%$  (over recommended operating conditions unless otherwise noted)

PARAMETER		TEST CONDITIONS	MIN	TYP	MAX	UNIT
<b>ISO776x</b>						
$t_{PLH}, t_{PHL}$	Propagation delay time	See <a href="#">6-1</a>	6	12	18.5	ns
PWD	Pulse width distortion <sup>(1)</sup> $ t_{PHL} - t_{PLH} $			0.5	5.9	ns
$t_{sk(o)}$	Channel-to-channel output skew time <sup>(2)</sup>	Same-direction channels			4.4	ns
$t_{sk(pp)}$	Part-to-part skew time <sup>(3)</sup>				5	ns
$t_r$	Output signal rise time	See <a href="#">6-1</a>		1	3	ns
$t_f$	Output signal fall time			1	3	ns
$t_{DO}$	Default output delay time from input power loss	Measured from the time $V_{CC}$ goes below 1.7V. See <a href="#">6-2</a>		0.2	0.3	$\mu\text{s}$
$t_{ie}$	Time interval error	$2^{16} - 1$ PRBS data at 100 Mbps		1.3		ns

- (1) Also known as pulse skew.
- (2)  $t_{sk(o)}$  is the skew between outputs of a single device with all driving inputs connected together and the outputs switching in the same direction while driving identical loads.
- (3)  $t_{sk(pp)}$  is the magnitude of the difference in propagation delay times between any terminals of different devices switching in the same direction while operating at identical supply voltages, temperature, input signals and loads.

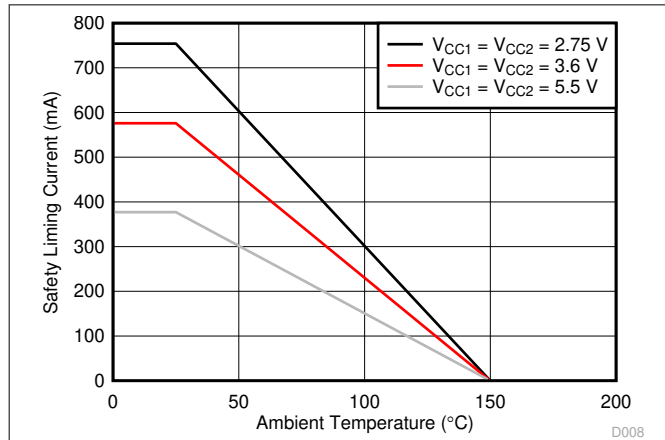
## 5.17 Switching Characteristics—2.5-V Supply

$V_{CC1} = V_{CC2} = 2.5\text{ V} \pm 10\%$  (over recommended operating conditions unless otherwise noted)

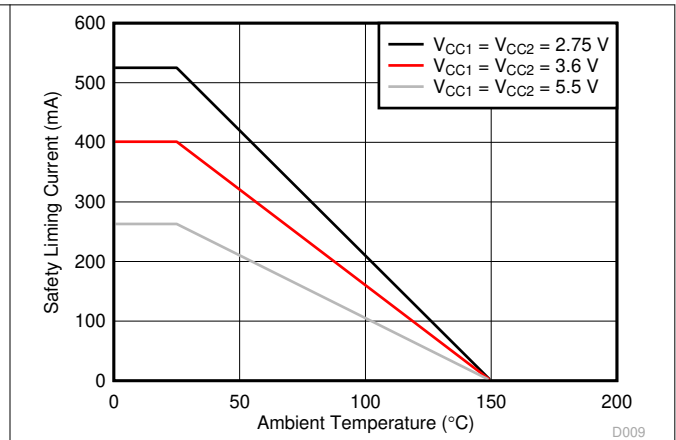
PARAMETER		TEST CONDITIONS	MIN	TYP	MAX	UNIT
<b>ISO776x</b>						
$t_{PLH}, t_{PHL}$	Propagation delay time	See <a href="#">6-1</a>	7.5	13	21	ns
PWD	Pulse width distortion <sup>(1)</sup> $ t_{PHL} - t_{PLH} $		0.6	5.9	ns	
$t_{sk(o)}$	Channel-to-channel output skew time <sup>(2)</sup>	Same-direction channels			4.4	ns
$t_{sk(pp)}$	Part-to-part skew time <sup>(3)</sup>				5.3	ns
$t_r$	Output signal rise time	See <a href="#">6-1</a>		1	3.5	ns
$t_f$	Output signal fall time		1	3.5	ns	
$t_{DO}$	Default output delay time from input power loss	Measured from the time $V_{CC}$ goes below 1.7V. See <a href="#">6-2</a>		0.1	0.3	$\mu\text{s}$
$t_{ie}$	Time interval error	$2^{16} - 1$ PRBS data at 100 Mbps		1.3		ns

- (1) Also known as pulse skew.
- (2)  $t_{sk(o)}$  is the skew between outputs of a single device with all driving inputs connected together and the outputs switching in the same direction while driving identical loads.
- (3)  $t_{sk(pp)}$  is the magnitude of the difference in propagation delay times between any terminals of different devices switching in the same direction while operating at identical supply voltages, temperature, input signals and loads.

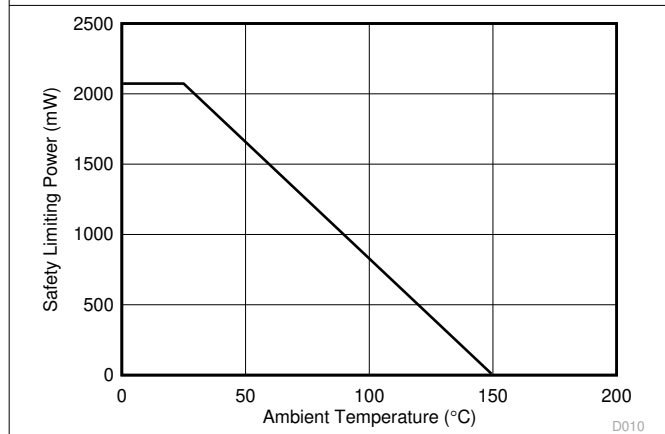
## 5.18 Insulation Characteristics Curves



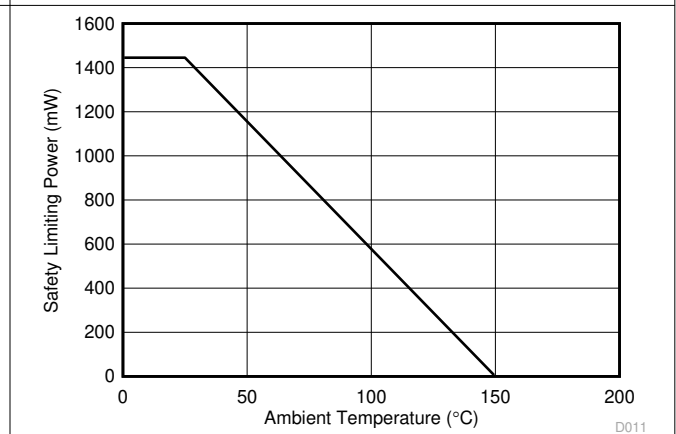
5-1. Thermal Derating Curve for Limiting Current per VDE for DW-16 Package



5-2. Thermal Derating Curve for Limiting Current per VDE for DBQ-16 Package

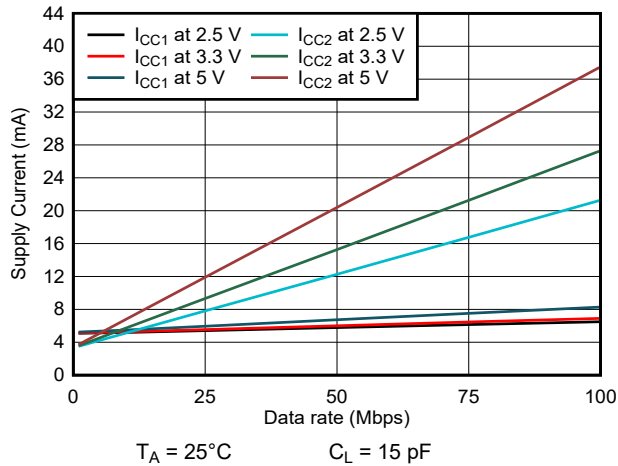


5-3. Thermal Derating Curve for Limiting Power per VDE for DW-16 Package

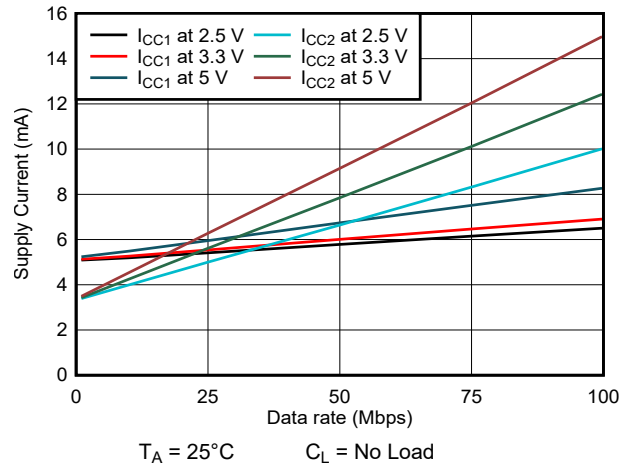


5-4. Thermal Derating Curve for Limiting Power per VDE for DBQ-16 Package

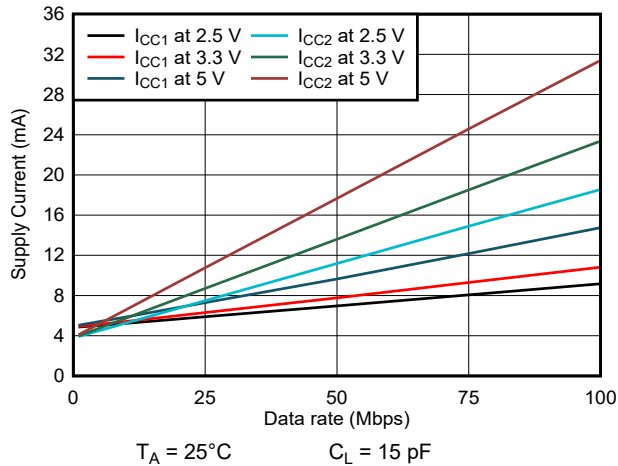
### 5.19 Typical Characteristics



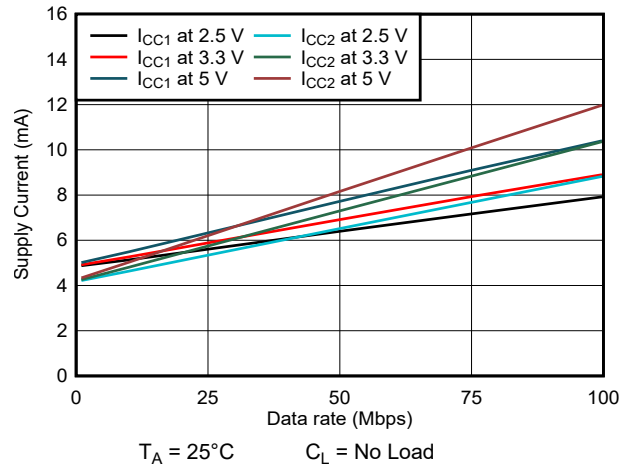
5-5. ISO7760 Supply Current vs Data Rate (With 15-pF Load)



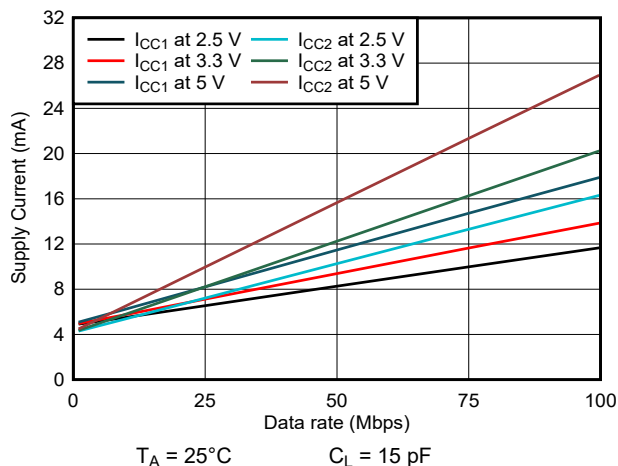
5-6. ISO7760 Supply Current vs Data Rate (With No Load)



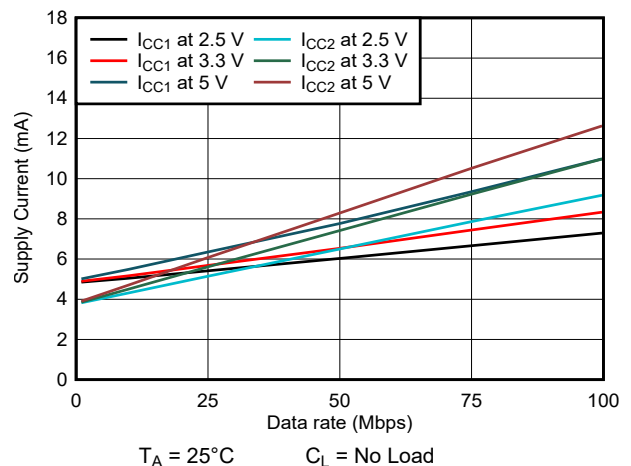
5-7. ISO7761 Supply Current vs Data Rate (With 15-pF Load)



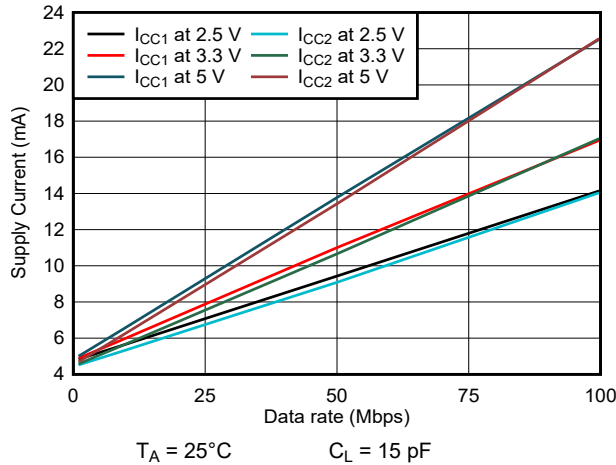
5-8. ISO7761 Supply Current vs Data Rate (With No Load)



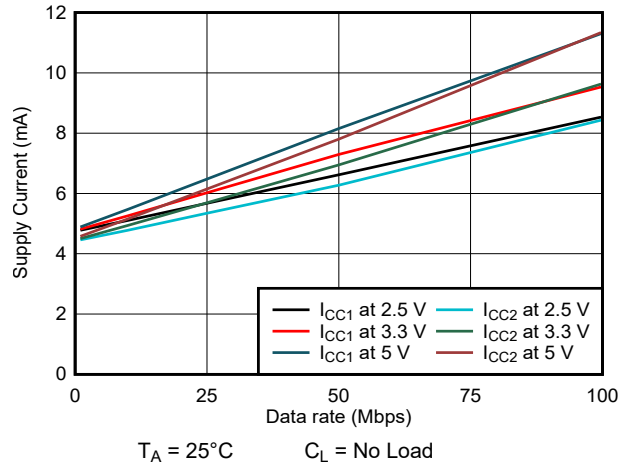
5-9. ISO7762 Supply Current vs Data Rate (With 15-pF Load)



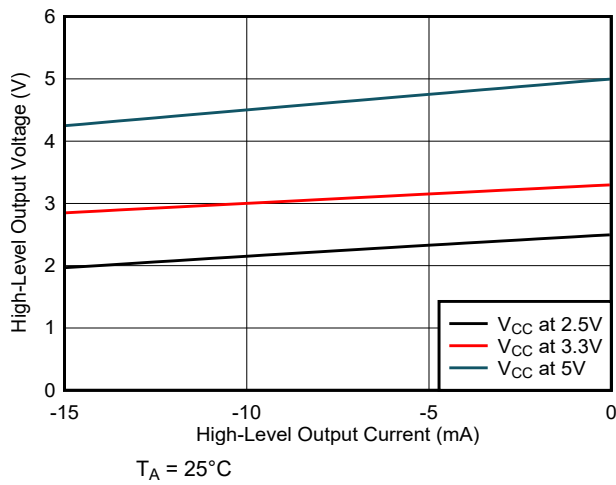
5-10. ISO7762 Supply Current vs Data Rate (With No Load)



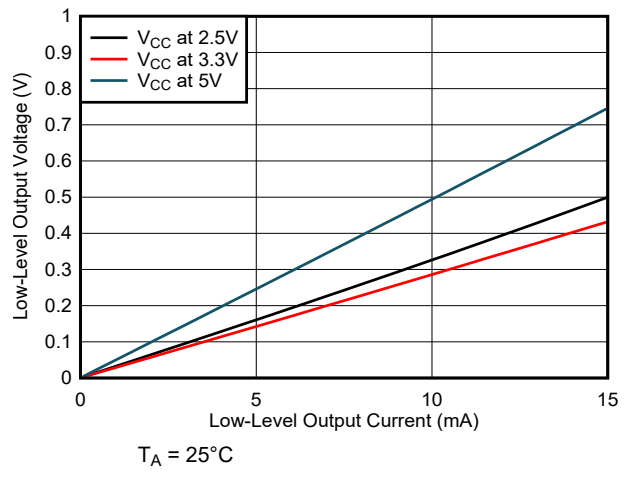
5-11. ISO7763 Supply Current vs Data Rate (With 15-pF Load)



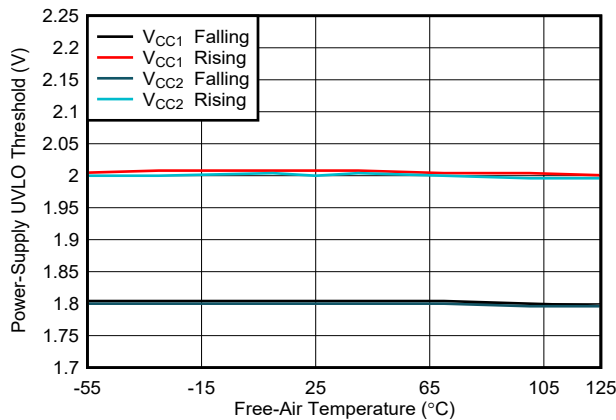
5-12. ISO7763 Supply Current vs Data Rate (With No Load)



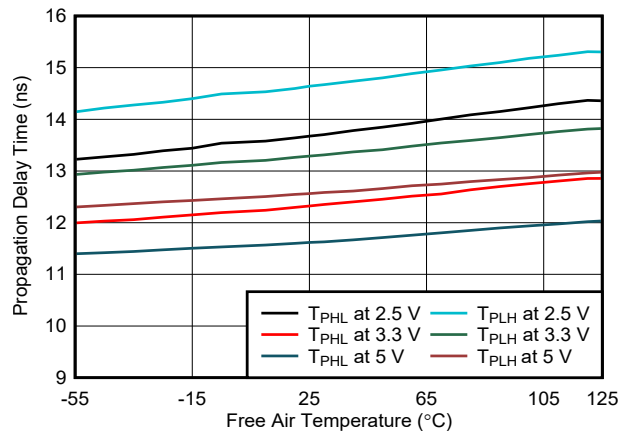
5-13. High-Level Output Voltage vs High-Level Output Current



5-14. Low-Level Output Voltage vs Low-Level Output Current

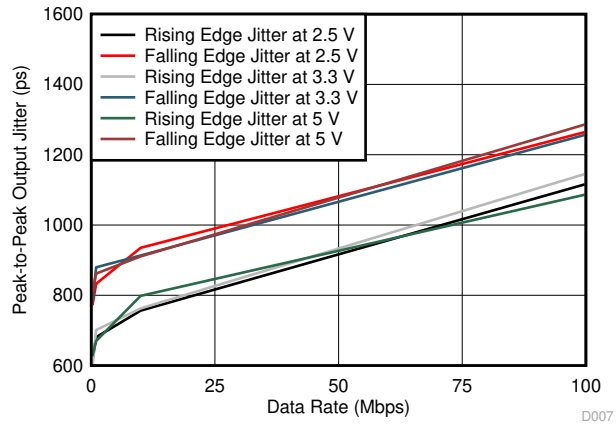


5-15. Power Supply Undervoltage Threshold vs Free-Air Temperature



5-16. Propagation Delay Time vs Free-Air Temperature

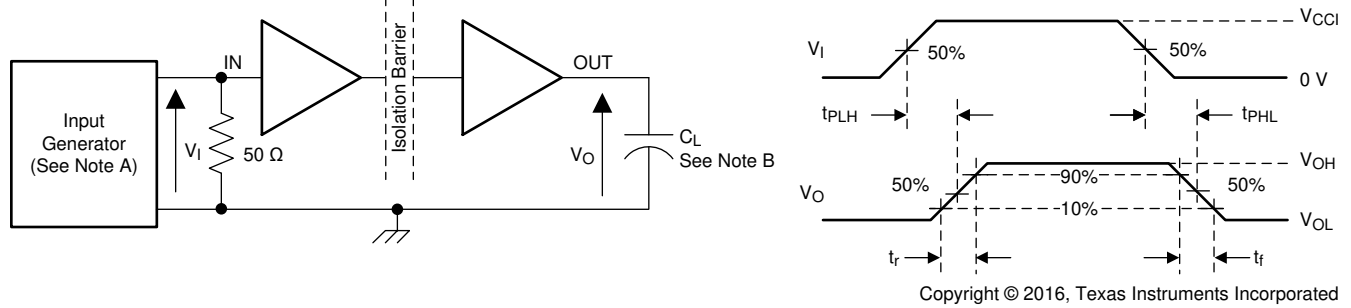




$T_A = 25^\circ\text{C}$

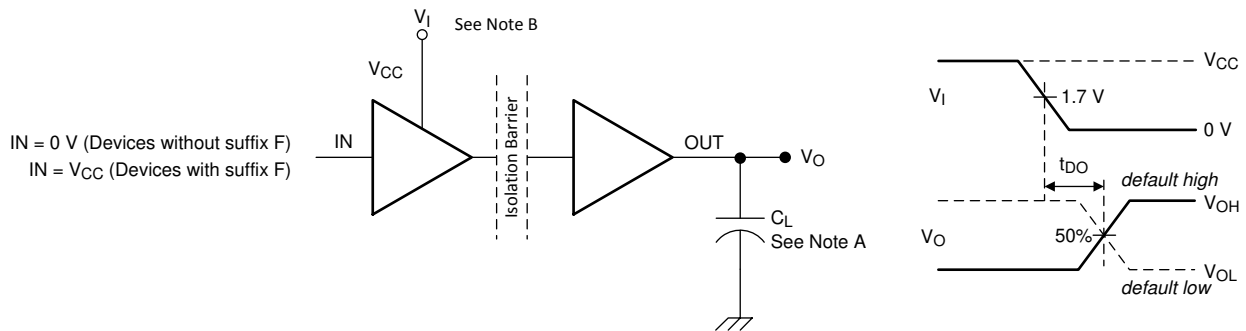
**5-17. Peak-to-Peak Output Jitter vs Data Rate**

## 6 Parameter Measurement Information



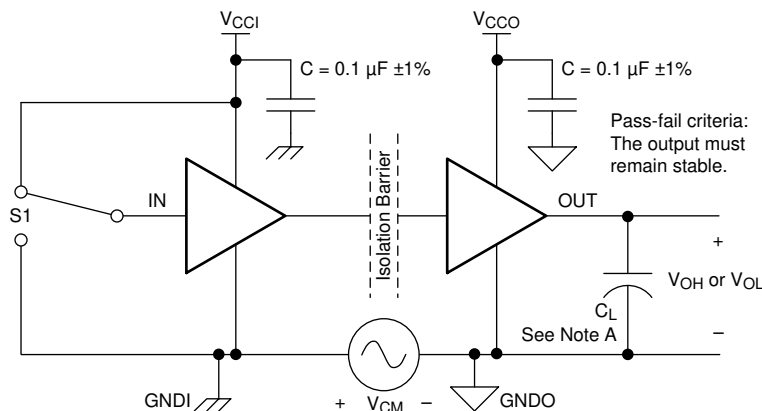
- A. The input pulse is supplied by a generator having the following characteristics: PRR ≤ 50 kHz, 50% duty cycle,  $t_r \leq 3$  ns,  $t_f \leq 3$  ns,  $Z_O = 50 \Omega$ . At the input, a 50- $\Omega$  resistor is required to terminate Input Generator signal. It is not needed in actual application.
- B.  $C_L = 15$  pF and includes instrumentation and fixture capacitance within  $\pm 20\%$ .

**图 6-1. Switching Characteristics Test Circuit and Voltage Waveforms**



- A.  $C_L = 15$  pF and includes instrumentation and fixture capacitance within  $\pm 20\%$ .
- B. Power-supply ramp rate = 10 mV/ns

**图 6-2. Default Output Delay Time Test Circuit and Voltage Waveforms**



- A.  $C_L = 15$  pF and includes instrumentation and fixture capacitance within  $\pm 20\%$ .

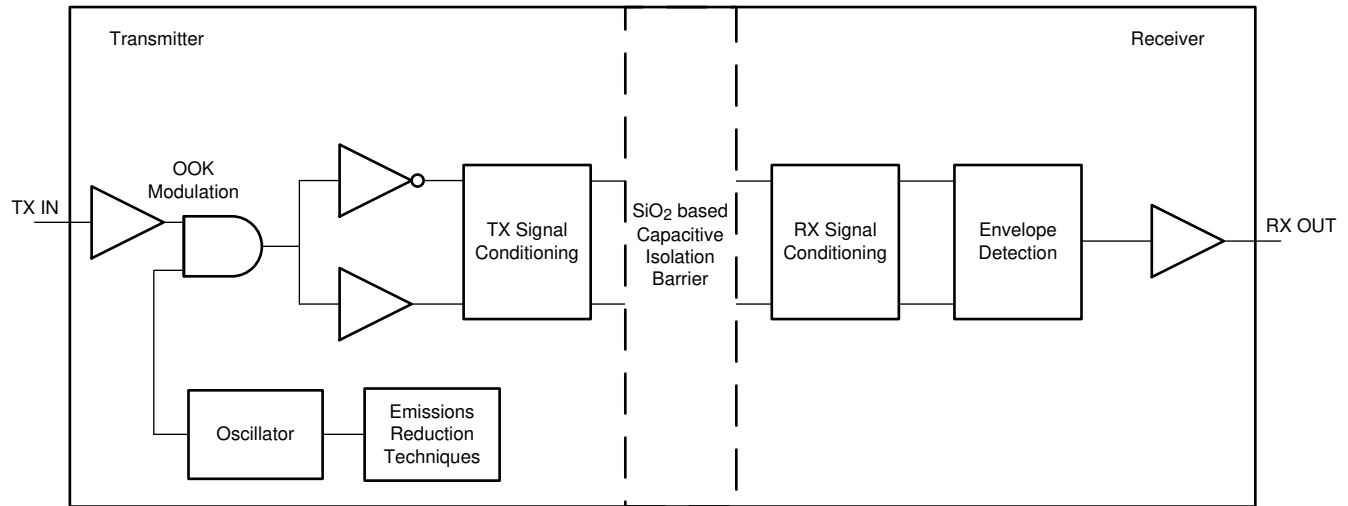
**图 6-3. Common-Mode Transient Immunity Test Circuit**

## 7 Detailed Description

### 7.1 Overview

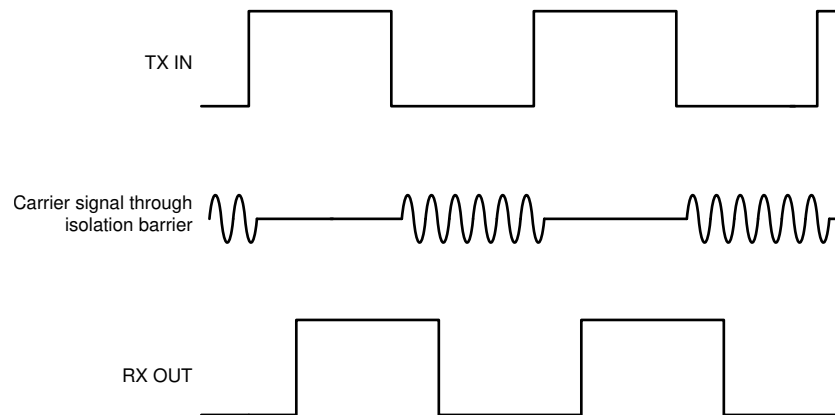
The ISO776x family of devices uses an ON-OFF keying (OOK) modulation scheme to transmit the digital data across a silicon-dioxide based isolation barrier. The transmitter sends a high-frequency carrier across the barrier to represent one digital state and sends no signal to represent the other digital state. The receiver demodulates the signal after advanced signal conditioning and produces the output through a buffer stage. The ISO776x family of devices also incorporates advanced circuit techniques to maximize the CMTI performance and minimize the radiated emissions because of the high-frequency carrier and IO buffer switching. The conceptual block diagram of a digital capacitive isolator, [Figure 7-1](#), shows a functional block diagram of a typical channel. [Figure 7-2](#) shows a conceptual detail of how the ON-OFF keying scheme works.

### 7.2 Functional Block Diagram



Copyright © 2016, Texas Instruments Incorporated

**Figure 7-1. Conceptual Block Diagram of a Digital Capacitive Isolator**



**Figure 7-2. ON-OFF Keying (OOK) Based Modulation Scheme**

## 7.3 Feature Description

表 7-1 lists the device features.

**表 7-1. Device Features**

PART NUMBER	CHANNEL DIRECTION	MAXIMUM DATA RATE	DEFAULT OUTPUT	PACKAGE	RATED ISOLATION <sup>(1)</sup>
ISO7760	6 Forward, 0 Reverse	100 Mbps	High	DW-16	5000 V <sub>RMS</sub> / 8000 V <sub>PK</sub>
				DBQ-16	3000 V <sub>RMS</sub> / 4242 V <sub>PK</sub>
ISO7760 with F suffix	6 Forward, 0 Reverse	100 Mbps	Low	DW-16	5000 V <sub>RMS</sub> / 8000 V <sub>PK</sub>
				DBQ-16	3000 V <sub>RMS</sub> / 4242 V <sub>PK</sub>
ISO7761	5 Forward, 1 Reverse	100 Mbps	High	DW-16	5000 V <sub>RMS</sub> / 7071 V <sub>PK</sub>
				DBQ-16	3000 V <sub>RMS</sub> / 4242 V <sub>PK</sub>
ISO7761 with F suffix	5 Forward, 1 Reverse	100 Mbps	Low	DW-16	5000 V <sub>RMS</sub> / 7071 V <sub>PK</sub>
				DBQ-16	3000 V <sub>RMS</sub> / 4242 V <sub>PK</sub>
ISO7762	4 Forward, 2 Reverse	100 Mbps	High	DW-16	5000 V <sub>RMS</sub> / 7071 V <sub>PK</sub>
				DBQ-16	3000 V <sub>RMS</sub> / 4242 V <sub>PK</sub>
ISO7762 with F suffix	4 Forward, 2 Reverse	100 Mbps	Low	DW-16	5000 V <sub>RMS</sub> / 7071 V <sub>PK</sub>
				DBQ-16	3000 V <sub>RMS</sub> / 4242 V <sub>PK</sub>
ISO7763	3 Forward, 3 Reverse	100 Mbps	High	DW-16	5000 V <sub>RMS</sub> / 7071 V <sub>PK</sub>
				DBQ-16	3000 V <sub>RMS</sub> / 4242 V <sub>PK</sub>
ISO7763 with F suffix	3 Forward, 3 Reverse	100 Mbps	Low	DW-16	5000 V <sub>RMS</sub> / 7071 V <sub>PK</sub>
				DBQ-16	3000 V <sub>RMS</sub> / 4242 V <sub>PK</sub>

(1) See [セクション 5.7](#) for detailed isolation ratings.

### 7.3.1 Electromagnetic Compatibility (EMC) Considerations

Many applications in harsh industrial environment are sensitive to disturbances such as electrostatic discharge (ESD), electrical fast transient (EFT), surge and electromagnetic emissions. These electromagnetic disturbances are regulated by international standards such as IEC 61000-4-x and CISPR 22. Although system-level performance and reliability depends, to a large extent, on the application board design and layout, the ISO776x family of devices incorporates many chip-level design improvements for overall system robustness. Some of these improvements include:

- Robust ESD protection for input and output signal pins and inter-chip bond pads.
- Low-resistance connectivity of ESD cells to supply and ground pins.
- Enhanced performance of high voltage isolation capacitor for better tolerance of ESD, EFT and surge events.
- Bigger on-chip decoupling capacitors to bypass undesirable high energy signals through a low impedance path.
- PMOS and NMOS devices isolated from each other by using guard rings to avoid triggering of parasitic SCRs.
- Reduced common mode currents across the isolation barrier by ensuring purely differential internal operation.

## 7.4 Device Functional Modes

表 7-2 lists the functional modes for the ISO776x.

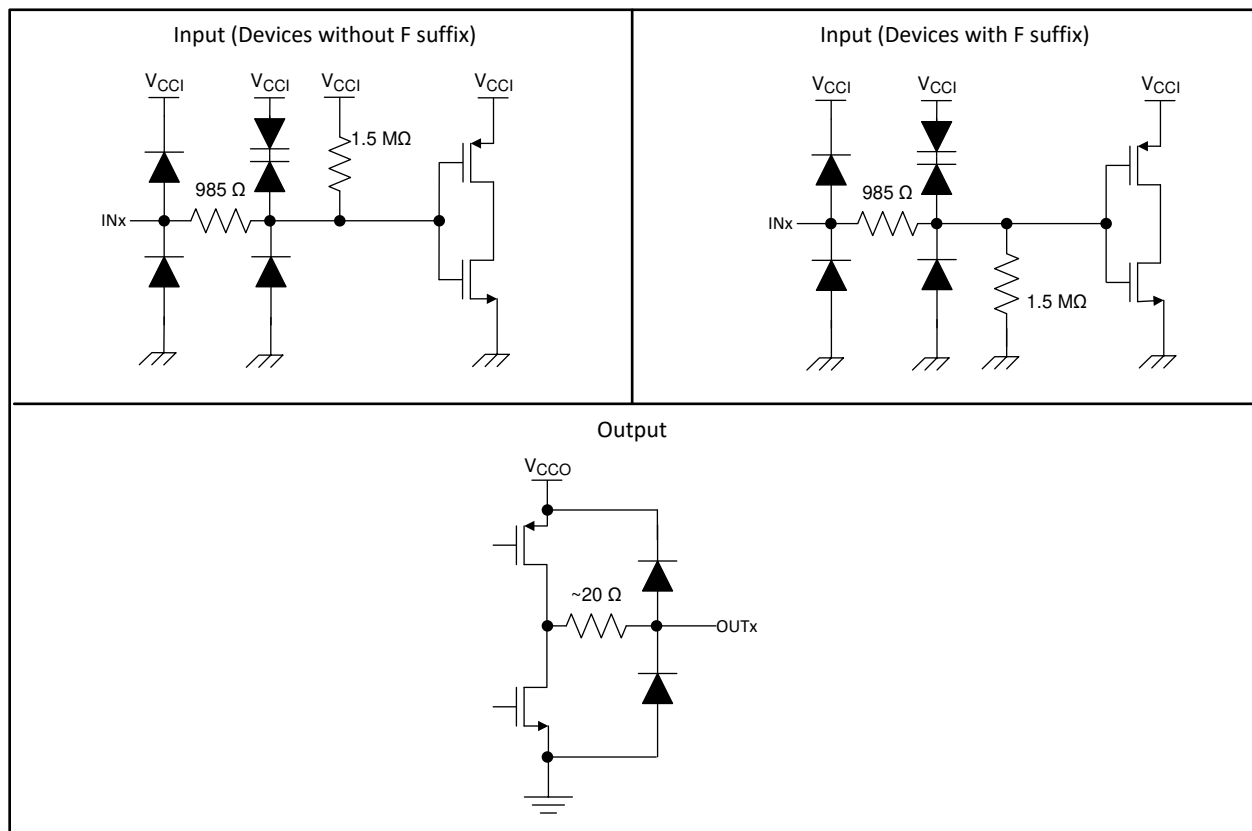
表 7-2. Function Table

V <sub>CC1</sub>	V <sub>CC0</sub>	INPUT (IN <sub>x</sub> ) <sup>(2)</sup>	OUTPUT (OUT <sub>x</sub> )	COMMENTS
PU	PU	H	H	Normal Operation: A channel output assumes the logic state of the input.
		L	L	
		Open	Default	Default mode: When IN <sub>x</sub> is open, the corresponding channel output goes to its default logic state. Default is <i>High</i> for ISO776x and <i>Low</i> for ISO776x with F suffix.
PD	PU	X	Default	Default mode: When V <sub>CC1</sub> is unpowered, a channel output assumes the logic state based on the selected default option. Default is <i>High</i> for ISO776x and <i>Low</i> for ISO776x with F suffix. When V <sub>CC1</sub> transitions from unpowered to powered-up, a channel output assumes the logic state of its input. When V <sub>CC1</sub> transitions from powered-up to unpowered, channel output assumes the selected default state.
X	PD	X	Undetermined	When V <sub>CC0</sub> is unpowered, a channel output is undetermined <sup>(1)</sup> . When V <sub>CC0</sub> transitions from unpowered to powered-up, a channel output assumes the logic state of the input

(1) The outputs are in undetermined state when  $1.7\text{ V} < V_{CC1}$ ,  $V_{CC0} < 2.25\text{ V}$ .

(2) A strongly driven input signal can weakly power the floating V<sub>CC</sub> via an internal protection diode and cause undetermined output.

### 7.4.1 Device I/O Schematics



Copyright © 2016, Texas Instruments Incorporated

図 7-3. Device I/O Schematics

## 8 Application and Implementation

---

### 注

Information in the following applications sections is not part of the TI component specification, and TI does not warrant its accuracy or completeness. TI's customers are responsible for determining suitability of components for their purposes. Customers should validate and test their design implementation to confirm system functionality.

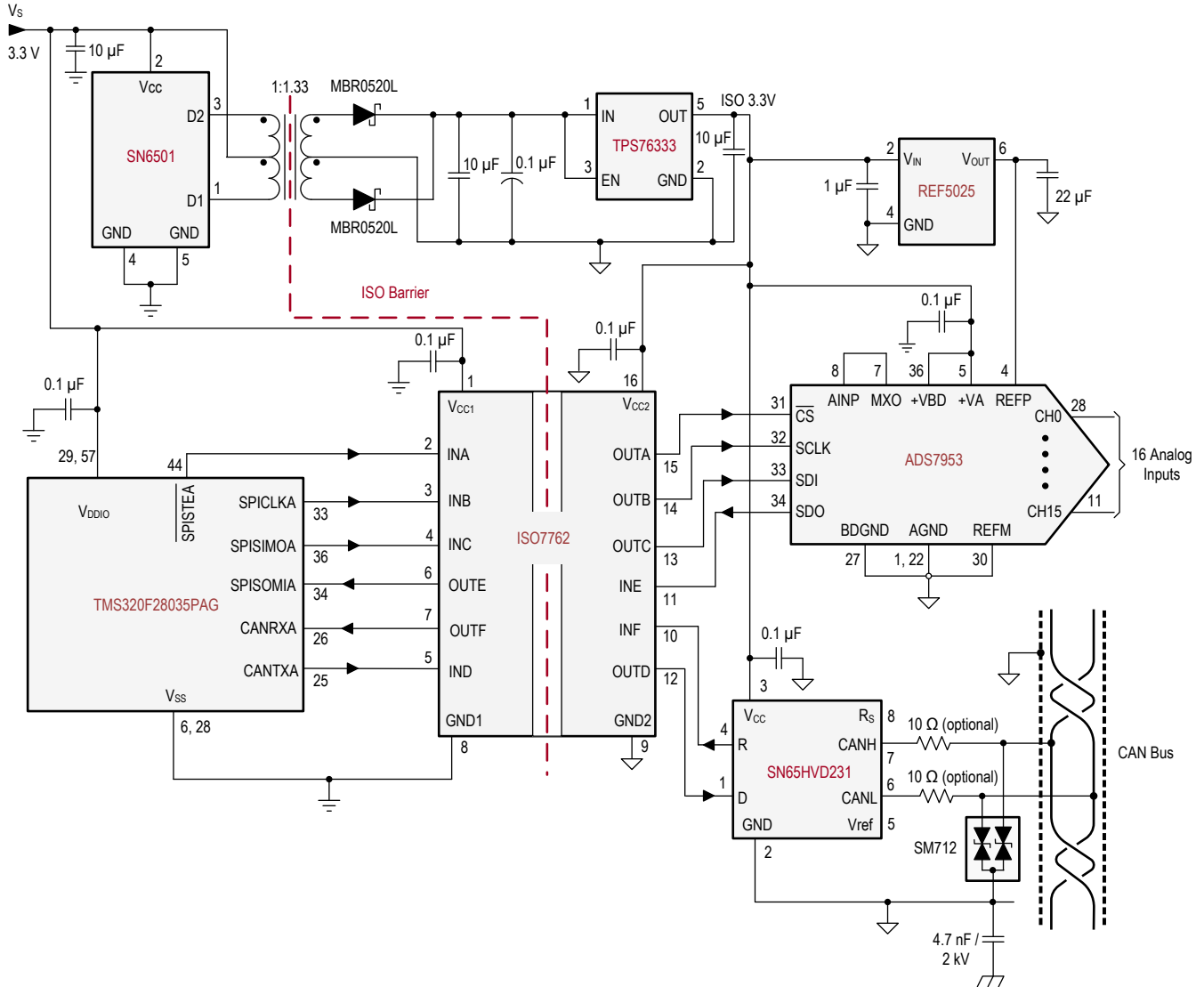
---

### 8.1 Application Information

The ISO776x family of devices is a high-performance, six-channel digital isolators. The ISO776x family of devices uses single-ended CMOS-logic switching technology. The voltage range is from 2.25 V to 5.5 V for both supplies,  $V_{CC1}$  and  $V_{CC2}$ . When designing with digital isolators, keep in mind that because of the single-ended design structure, digital isolators do not conform to any specific interface standard and are only intended for isolating single-ended CMOS or TTL digital signal lines. The isolator is typically placed between the data controller (that is,  $\mu$ C or UART), and a data converter or a line transceiver, regardless of the interface type or standard.

### 8.2 Typical Application

☒ 8-1 shows the isolated serial-peripheral interface (SPI) and controller-area network (CAN) interface implementation.



Multiple pins and discrete components omitted for clarity purpose.

8-1. Isolated SPI and CAN Interface

### 8.2.1 Design Requirements

For this design example, use the parameters listed in 表 8-1.

表 8-1. Design Parameters

PARAMETER	VALUE
Supply voltage, $V_{CC1}$ and $V_{CC2}$	2.25 to 5.5 V
Decoupling capacitor between $V_{CC1}$ and GND1	0.1 $\mu$ F
Decoupling capacitor from $V_{CC2}$ and GND2	0.1 $\mu$ F

### 8.2.2 Detailed Design Procedure

Unlike optocouplers, which require external components to improve performance, provide bias, or limit current, the ISO776x family of devices only requires two external bypass capacitors to operate.

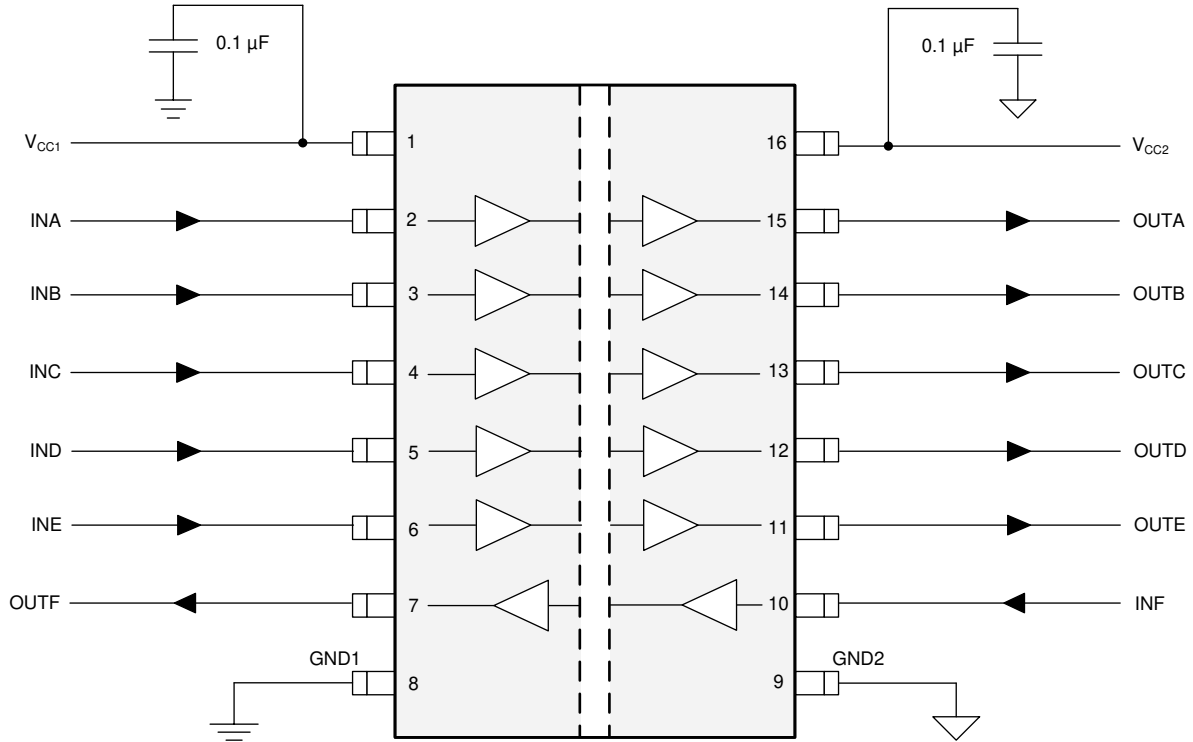
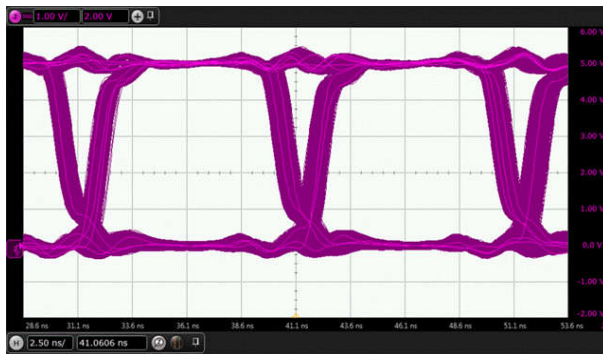



图 8-2. Typical ISO7761 Circuit Hook-up

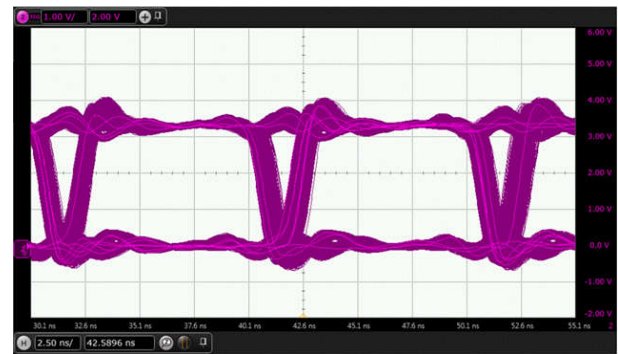



### 8.2.3 Application Curves

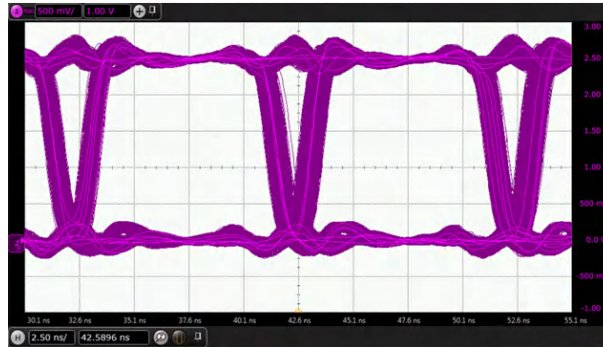
The typical eye diagram of the ISO776x family of devices indicates low jitter and a wide open eye at the maximum data rate of 100 Mbps.




**8-3. Eye Diagram at 100 Mbps PRBS  $2^{16} - 1$  Data, 5 V and 25°C**

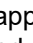




**8-4. Eye Diagram at 100 Mbps PRBS  $2^{16} - 1$  Data, 3.3 V and 25°C**

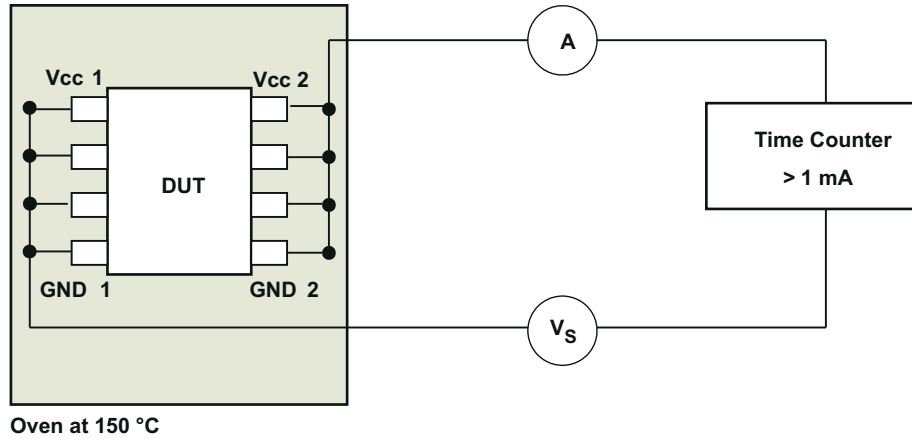



**8-5. Eye Diagram at 100 Mbps PRBS  $2^{16} - 1$  Data, 2.5 V and 25°C**

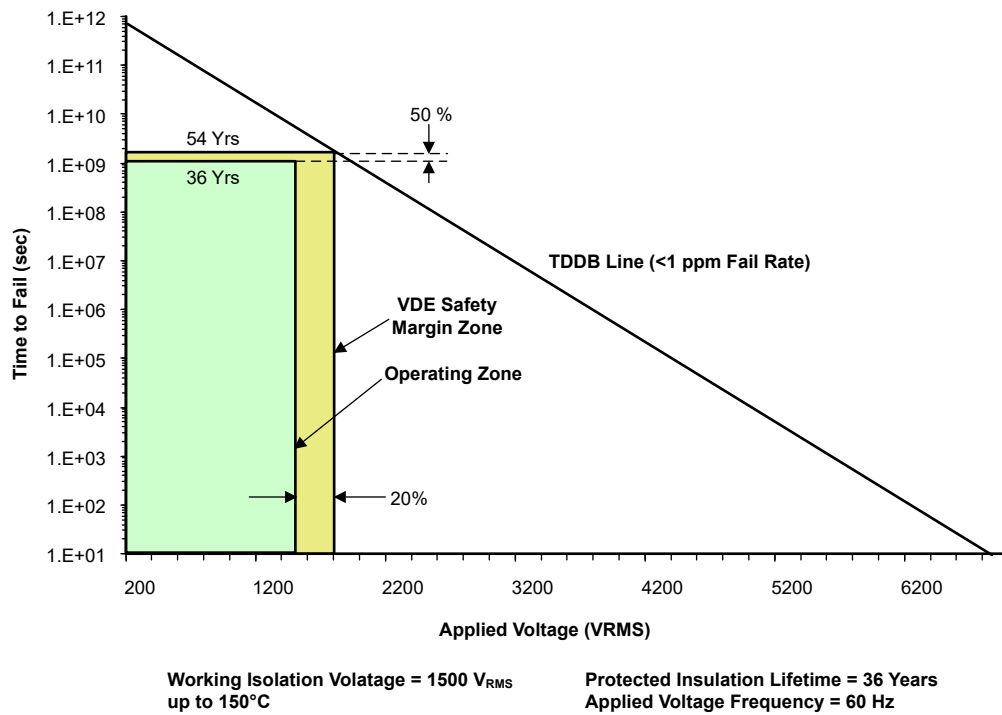
#### 8.2.3.1 Insulation Lifetime

Insulation lifetime projection data is collected by using industry-standard Time Dependent Dielectric Breakdown (TDDB) test method. In this test, all pins on each side of the barrier are tied together creating a two-terminal device and high voltage applied between the two sides; See  8-6 for TDDB test setup. The insulation breakdown data is collected at various high voltages switching at 60 Hz over temperature. For reinforced insulation, VDE standard requires the use of TDDB projection line with failure rate of less than 1 part per million (ppm). Even though the expected minimum insulation lifetime is 20 years at the specified working isolation voltage, VDE reinforced certification requires additional safety margin of 20% for working voltage and 50% for lifetime which translates into minimum required insulation lifetime of 30 years at a working voltage that's 20% higher than the specified value.

 8-7 shows the intrinsic capability of the isolation barrier to withstand high voltage stress over its lifetime. Based on the TDDB data, the intrinsic capability of the insulation is 1500 V<sub>RMS</sub> with a lifetime of 36 years. Other factors, such as package size, pollution degree, material group, etc. can further limit the working voltage of the component. The working voltage of DW-16 package is specified up to 1500 V<sub>RMS</sub> and DBQ-16 package up to 400 V<sub>RMS</sub>. At the lower working voltages, the corresponding insulation lifetime is much longer than 36 years.



8-6. Test Setup for Insulation Lifetime Measurement



8-7. Insulation Lifetime Projection Data

## 9 Power Supply Recommendations

To help ensure reliable operation at data rates and supply voltages, a 0.1- $\mu F$  bypass capacitor is recommended at input and output supply pins ( $V_{CC1}$  and  $V_{CC2}$ ). The capacitors should be placed as close to the supply pins as possible. If only a single primary-side power supply is available in an application, isolated power can be generated for the secondary-side with the help of a transformer driver such as Texas Instruments' [SN6501](#) or [SN6505](#). For such applications, detailed power supply design and transformer selection recommendations are available in the [SN6501 Transformer Driver for Isolated Power Supplies data sheet](#) or the [SN6505 Low-Noise 1-A Transformer Drivers for Isolated Power Supplies data sheet](#).

## 10 Layout

### 10.1 Layout Guidelines

A minimum of four layers is required to accomplish a low EMI PCB design (see [Figure 10-1](#)). Layer stacking should be in the following order (top-to-bottom): high-speed signal layer, ground plane, power plane and low-frequency signal layer.

- Routing the high-speed traces on the top layer avoids the use of vias (and the introduction of their inductances) and allows for clean interconnects between the isolator and the transmitter and receiver circuits of the data link.
- Placing a solid ground plane next to the high-speed signal layer establishes controlled impedance for transmission line interconnects and provides an excellent low-inductance path for the return current flow.
- Placing the power plane next to the ground plane creates additional high-frequency bypass capacitance of approximately 100 pF/inch<sup>2</sup>.
- Routing the slower speed control signals on the bottom layer allows for greater flexibility as these signal links usually have margin to tolerate discontinuities such as vias.

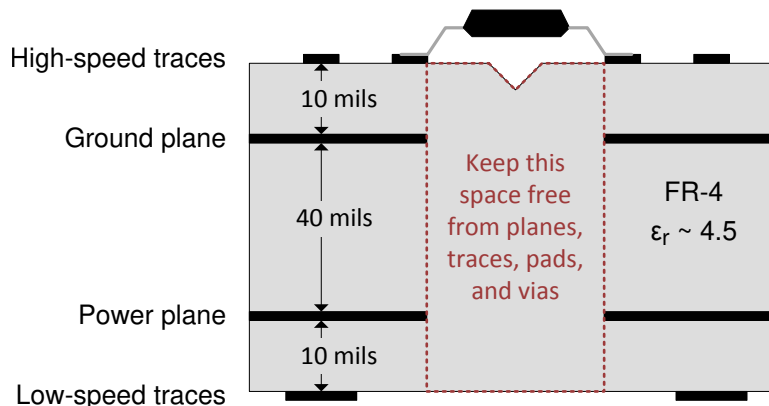
If an additional supply voltage plane or signal layer is needed, add a second power or ground plane system to the stack to keep it symmetrical. This makes the stack mechanically stable and prevents it from warping. Also the power and ground plane of each power system can be placed closer together, thus increasing the high-frequency bypass capacitance significantly.

For detailed layout recommendations, see the [Digital Isolator Design Guide application report](#).

#### 10.1.1 PCB Material

For digital circuit boards operating at less than 150 Mbps, (or rise and fall times greater than 1 ns), and trace lengths of up to 10 inches, use standard FR-4 UL94V-0 printed circuit board. This PCB is preferred over cheaper alternatives because of lower dielectric losses at high frequencies, less moisture absorption, greater strength and stiffness, and the self-extinguishing flammability-characteristics.

### 10.2 Layout Example



**Figure 10-1. Layout Example Schematic**

## 11 Device and Documentation Support

### 11.1 Documentation Support

#### 11.1.1 Related Documentation

For related documentation see the following:

- Texas Instruments, [Digital Isolator Design Guide application report](#)
- Texas Instruments, [How to use isolation to improve ESD, EFT and Surge immunity in industrial systems application report](#)
- Texas Instruments, [Isolation Glossary](#)
- Texas Instruments, [TMS320F2803xPiccolo™ Microcontrollers data sheet](#)
- Texas Instruments, [ADS79xx 12/10/8-Bit, 1 MSPS, 16/12/8/4-Channel, Single-Ended, MicroPower, Serial Interface ADCs data sheet](#)
- Texas Instruments, [REF50xx Low-Noise, Very Low Drift, Precision Voltage Reference data sheet](#)
- Texas Instruments, [SN6501 Transformer Driver for Isolated Power Supplies data sheet](#)
- Texas Instruments, [SN65HVD23x 3.3-V CAN Bus Transceivers data sheet](#)
- Texas Instruments, [TPS76333 Low-Power 150-mA Low-Dropout Linear Regulators data sheet](#)

#### 11.2 Receiving Notification of Documentation Updates

To receive notification of documentation updates, navigate to the device product folder on ti.com. In the upper right corner, click on *Alert me* to register and receive a weekly digest of any product information that has changed. For change details, review the revision history included in any revised document.

### 11.3 Community Resources

#### 11.4 Trademarks


Piccolo™ is a trademark of Texas Instruments.  
 すべての商標は、それぞれの所有者に帰属します。

## 12 Revision History

資料番号末尾の英字は改訂を表しています。その改訂履歴は英語版に準じています。

Changes from Revision G (June 2023) to Revision H (January 2024)	Page
• ドキュメント全体にわたって表、図、相互参照の採番方法を更新.....	1
• Updated Thermal Characteristics, Safety Limiting Values, and Thermal Derating Curves to provide more accurate system-level thermal calculations.....	6
• Updated electrical and switching characteristics to match device performance.....	6

Changes from Revision F (November 2022) to Revision G (June 2023)	Page
• 標準名を次のように変更:「DIN V VDE V 0884-11:2017-01」から次のものに変更:「DIN EN IEC 60747-17 (VDE 0884-17)」(ドキュメント全体を通して).....	1
• ドキュメント全体を通して、IEC/EN/CSA 60950-1 規格への参照を削除.....	1
• ドキュメント全体を通して、すべての標準名から標準リビジョンおよび年への参照を削除.....	1
• Added Maximum impulse voltage ( $V_{IMP}$ ) per DIN EN IEC 60747-17 (VDE 0884-17) .....	9
• Changed test conditions and values of Maximum surge isolation voltage ( $V_{IOSM}$ ) specification per DIN EN IEC 60747-17 (VDE 0884-17) .....	9
• Clarified method b test conditions of Apparent charge ( $q_{PD}$ ) .....	9
• Changed maximum working voltage value From: 250 $V_{RMS}$ To: 400 $V_{RMS}$ for DBQ-16 devices per GB 4943.1.....	11
• Changed working voltage lifetime margin from: 87.5% to: 50%, minimum required insulation lifetime from: 37.5 years to: 30 years and insulation lifetime per TDDb from: 135 years to: 169 years per DIN EN IEC 60747-17 (VDE 0884-17).....	33

- Changed  8-7 per DIN EN IEC 60747-17 (VDE 0884-17)..... 33



**Changes from Revision E (February 2019) to Revision F (November 2022) Page**

- 文書全体にわたって表、図、相互参照の採番方法を更新..... 1

**Changes from Revision D (November 2018) to Revision E (February 2019) Page**

- Changed CPG parameter description from "External clearance" to "External creepage"..... 9

**Changes from Revision C (January 2018) to Revision D (November 2018) Page**

- ドキュメント全体を通して編集上および体裁上の変更..... 1
- 次のように変更:「絶縁バリアの寿命:40 年超」を「推定寿命:100 年超」に変更 (セクション 1)..... 1
- セクション 1 に「最大 5000V<sub>RMS</sub> の絶縁定格」を追加..... 1
- セクション 1 に「最大 12.8kV のサージ能力」を追加 ..... 1
- セクション 1 に「絶縁バリアの両側で ±8kV の IEC 61000-4-2 接触放電保護」を追加..... 1
- 「車載用バージョンを利用可能:ISO776x-Q1」(セクション 1) を追加..... 1
- ドキュメント全体を通して「認定計画中」の表記を削除..... 1
- セクション 2 の一覧を更新..... 1
-  3-1 を変更して直列絶縁コンデンサを表示..... 1
- Added table note to Data rate specification..... 7
- Changed V<sub>IORM</sub> value for DW-16 package from "1414 V<sub>PK</sub>" to "2121 V<sub>PK</sub>" ..... 9
- Changed V<sub>IOWM</sub> values for DW-16 package from "1000 V<sub>RMS</sub>" and "1414 V<sub>DC</sub>" to "1500 V<sub>RMS</sub>" and "2121 V<sub>DC</sub>" ..... 9
- Updated certification information..... 11
- Changed From: "Table 2" To: "Safety Related Certifications" in 表 7-1 table note..... 28
- Changed  7-3 ..... 29
- Added セクション 8.2.3.1 sub-section under セクション 8.2.3 section..... 33

**Changes from Revision B (November 2017) to Revision C (January 2018) Page**

- Changed the C<sub>IO</sub> value for the DBQ package from 1.1 to 0.9 pF..... 9

**Changes from Revision A (August 2017) to Revision B (November 2017) Page**

- 「特長」および「安全関連の認定」表の CSA 認定の表現を変更 ..... 1
- DBQ-16 パッケージの絶縁電圧を 2500V<sub>RMS</sub> から 3000V<sub>RMS</sub> に変更..... 1
- Added the maximum transient isolation voltage for the DW-16 package of the ISO7761, ISO7762, and ISO7763 devices and changed the maximum value for the DBQ-16 package from 3600 to 4242 for all devices..... 9
- Changed table note and table condition of safety limiting values..... 11
- Added the supply current vs data rate graphs for the ISO7761, ISO7762, and ISO7763 in the *Typical Characteristics* section..... 23

**Changes from Revision \* (August 2017) to Revision A (August 2017) Page**

- Deleted EN from the *Common-Mode Transient Immunity Test Circuit* figure..... 26

- Changed the  $V_{CC1}$  and  $V_{CC2}$  signals in the *Typical ISO7761 Circuit Hook-up* figure..... 31
- 

### 13 Mechanical, Packaging, and Orderable Information

The following pages include mechanical, packaging, and orderable information. This information is the most current data available for the designated devices. This data is subject to change without notice and revision of this document. For browser-based versions of this data sheet, refer to the left-hand navigation.

**PACKAGING INFORMATION**

Orderable part number	Status (1)	Material type (2)	Package   Pins	Package qty   Carrier	RoHS (3)	Lead finish/ Ball material (4)	MSL rating/ Peak reflow (5)	Op temp (°C)	Part marking (6)
<a href="#">ISO7760DBQR</a>	Active	Production	SSOP (DBQ)   16	2500   LARGE T&R	Yes	NIPDAU	Level-2-260C-1 YEAR	-55 to 125	7760
ISO7760DBQR.A	Active	Production	SSOP (DBQ)   16	2500   LARGE T&R	Yes	NIPDAU	Level-2-260C-1 YEAR	-55 to 125	7760
ISO7760DBQR.B	Active	Production	SSOP (DBQ)   16	2500   LARGE T&R	-	Call TI	Call TI	-55 to 125	
<a href="#">ISO7760DWR</a>	Active	Production	SOIC (DW)   16	2000   LARGE T&R	Yes	NIPDAU	Level-2-260C-1 YEAR	-55 to 125	ISO7760
ISO7760DWR.A	Active	Production	SOIC (DW)   16	2000   LARGE T&R	Yes	NIPDAU	Level-2-260C-1 YEAR	-55 to 125	ISO7760
ISO7760DWR.B	Active	Production	SOIC (DW)   16	2000   LARGE T&R	-	Call TI	Call TI	-55 to 125	
<a href="#">ISO7760FDBQR</a>	Active	Production	SSOP (DBQ)   16	2500   LARGE T&R	Yes	NIPDAU	Level-2-260C-1 YEAR	-55 to 125	7760F
ISO7760FDBQR.A	Active	Production	SSOP (DBQ)   16	2500   LARGE T&R	Yes	NIPDAU	Level-2-260C-1 YEAR	-55 to 125	7760F
ISO7760FDBQR.B	Active	Production	SSOP (DBQ)   16	2500   LARGE T&R	-	Call TI	Call TI	-55 to 125	
<a href="#">ISO7760FDWR</a>	Active	Production	SOIC (DW)   16	2000   LARGE T&R	Yes	NIPDAU	Level-2-260C-1 YEAR	-55 to 125	ISO7760F
ISO7760FDWR.A	Active	Production	SOIC (DW)   16	2000   LARGE T&R	Yes	NIPDAU	Level-2-260C-1 YEAR	-55 to 125	ISO7760F
ISO7760FDWR.B	Active	Production	SOIC (DW)   16	2000   LARGE T&R	-	Call TI	Call TI	-55 to 125	
<a href="#">ISO7761DBQR</a>	Active	Production	SSOP (DBQ)   16	2500   LARGE T&R	Yes	NIPDAU	Level-2-260C-1 YEAR	-55 to 125	7761
ISO7761DBQR.A	Active	Production	SSOP (DBQ)   16	2500   LARGE T&R	Yes	NIPDAU	Level-2-260C-1 YEAR	-55 to 125	7761
ISO7761DBQR.B	Active	Production	SSOP (DBQ)   16	2500   LARGE T&R	-	Call TI	Call TI	-55 to 125	
<a href="#">ISO7761DWR</a>	Active	Production	SOIC (DW)   16	2000   LARGE T&R	Yes	NIPDAU	Level-2-260C-1 YEAR	-55 to 125	ISO7761
ISO7761DWR.A	Active	Production	SOIC (DW)   16	2000   LARGE T&R	Yes	NIPDAU	Level-2-260C-1 YEAR	-55 to 125	ISO7761
ISO7761DWR.B	Active	Production	SOIC (DW)   16	2000   LARGE T&R	-	Call TI	Call TI	-55 to 125	
<a href="#">ISO7761FDBQR</a>	Active	Production	SSOP (DBQ)   16	2500   LARGE T&R	Yes	NIPDAU	Level-2-260C-1 YEAR	-55 to 125	7761F
ISO7761FDBQR.A	Active	Production	SSOP (DBQ)   16	2500   LARGE T&R	Yes	NIPDAU	Level-2-260C-1 YEAR	-55 to 125	7761F
ISO7761FDBQR.B	Active	Production	SSOP (DBQ)   16	2500   LARGE T&R	-	Call TI	Call TI	-55 to 125	
<a href="#">ISO7761FDWR</a>	Active	Production	SOIC (DW)   16	2000   LARGE T&R	Yes	NIPDAU	Level-2-260C-1 YEAR	-55 to 125	ISO7761F
ISO7761FDWR.A	Active	Production	SOIC (DW)   16	2000   LARGE T&R	Yes	NIPDAU	Level-2-260C-1 YEAR	-55 to 125	ISO7761F
ISO7761FDWR.B	Active	Production	SOIC (DW)   16	2000   LARGE T&R	-	Call TI	Call TI	-55 to 125	
<a href="#">ISO7762DBQR</a>	Active	Production	SSOP (DBQ)   16	2500   LARGE T&R	Yes	NIPDAU	Level-2-260C-1 YEAR	-55 to 125	7762
ISO7762DBQR.A	Active	Production	SSOP (DBQ)   16	2500   LARGE T&R	Yes	NIPDAU	Level-2-260C-1 YEAR	-55 to 125	7762
ISO7762DBQR.B	Active	Production	SSOP (DBQ)   16	2500   LARGE T&R	-	Call TI	Call TI	-55 to 125	
ISO7762DBQRG4	Active	Production	SSOP (DBQ)   16	2500   LARGE T&R	Yes	NIPDAU	Level-2-260C-1 YEAR	-55 to 125	7762
ISO7762DBQRG4.A	Active	Production	SSOP (DBQ)   16	2500   LARGE T&R	Yes	NIPDAU	Level-2-260C-1 YEAR	-55 to 125	7762

Orderable part number	Status (1)	Material type (2)	Package   Pins	Package qty   Carrier	RoHS (3)	Lead finish/ Ball material (4)	MSL rating/ Peak reflow (5)	Op temp (°C)	Part marking (6)
ISO7762DBQRG4.B	Active	Production	SSOP (DBQ)   16	2500   LARGE T&R	-	Call TI	Call TI	-55 to 125	
<a href="#">ISO7762DWR</a>	Active	Production	SOIC (DW)   16	2000   LARGE T&R	Yes	NIPDAU	Level-2-260C-1 YEAR	-55 to 125	ISO7762
ISO7762DWR.A	Active	Production	SOIC (DW)   16	2000   LARGE T&R	Yes	NIPDAU	Level-2-260C-1 YEAR	-55 to 125	ISO7762
ISO7762DWR.B	Active	Production	SOIC (DW)   16	2000   LARGE T&R	-	Call TI	Call TI	-55 to 125	
<a href="#">ISO7762FDBQR</a>	Active	Production	SSOP (DBQ)   16	2500   LARGE T&R	Yes	NIPDAU	Level-2-260C-1 YEAR	-55 to 125	7762F
ISO7762FDBQR.A	Active	Production	SSOP (DBQ)   16	2500   LARGE T&R	Yes	NIPDAU	Level-2-260C-1 YEAR	-55 to 125	7762F
ISO7762FDBQR.B	Active	Production	SSOP (DBQ)   16	2500   LARGE T&R	-	Call TI	Call TI	-55 to 125	
ISO7762FDBQRG4	Active	Production	SSOP (DBQ)   16	2500   LARGE T&R	Yes	NIPDAU	Level-2-260C-1 YEAR	-55 to 125	7762F
ISO7762FDBQRG4.A	Active	Production	SSOP (DBQ)   16	2500   LARGE T&R	Yes	NIPDAU	Level-2-260C-1 YEAR	-55 to 125	7762F
ISO7762FDBQRG4.B	Active	Production	SSOP (DBQ)   16	2500   LARGE T&R	-	Call TI	Call TI	-55 to 125	
<a href="#">ISO7762FDWR</a>	Active	Production	SOIC (DW)   16	2000   LARGE T&R	Yes	NIPDAU	Level-2-260C-1 YEAR	-55 to 125	ISO7762F
ISO7762FDWR.A	Active	Production	SOIC (DW)   16	2000   LARGE T&R	Yes	NIPDAU	Level-2-260C-1 YEAR	-55 to 125	ISO7762F
ISO7762FDWR.B	Active	Production	SOIC (DW)   16	2000   LARGE T&R	-	Call TI	Call TI	-55 to 125	
<a href="#">ISO7763DBQR</a>	Active	Production	SSOP (DBQ)   16	2500   LARGE T&R	Yes	NIPDAU	Level-2-260C-1 YEAR	-55 to 125	7763
ISO7763DBQR.A	Active	Production	SSOP (DBQ)   16	2500   LARGE T&R	Yes	NIPDAU	Level-2-260C-1 YEAR	-55 to 125	7763
ISO7763DBQR.B	Active	Production	SSOP (DBQ)   16	2500   LARGE T&R	-	Call TI	Call TI	-55 to 125	
<a href="#">ISO7763DWR</a>	Active	Production	SOIC (DW)   16	2000   LARGE T&R	Yes	NIPDAU	Level-2-260C-1 YEAR	-55 to 125	ISO7763
ISO7763DWR.A	Active	Production	SOIC (DW)   16	2000   LARGE T&R	Yes	NIPDAU	Level-2-260C-1 YEAR	-55 to 125	ISO7763
ISO7763DWR.B	Active	Production	SOIC (DW)   16	2000   LARGE T&R	-	Call TI	Call TI	-55 to 125	
<a href="#">ISO7763FDBQR</a>	Active	Production	SSOP (DBQ)   16	2500   LARGE T&R	Yes	NIPDAU	Level-2-260C-1 YEAR	-55 to 125	7763F
ISO7763FDBQR.A	Active	Production	SSOP (DBQ)   16	2500   LARGE T&R	Yes	NIPDAU	Level-2-260C-1 YEAR	-55 to 125	7763F
ISO7763FDBQR.B	Active	Production	SSOP (DBQ)   16	2500   LARGE T&R	-	Call TI	Call TI	-55 to 125	
ISO7763FDBQRG4	Active	Production	SSOP (DBQ)   16	2500   LARGE T&R	Yes	NIPDAU	Level-2-260C-1 YEAR	-55 to 125	7763F
ISO7763FDBQRG4.A	Active	Production	SSOP (DBQ)   16	2500   LARGE T&R	Yes	NIPDAU	Level-2-260C-1 YEAR	-55 to 125	7763F
ISO7763FDBQRG4.B	Active	Production	SSOP (DBQ)   16	2500   LARGE T&R	-	Call TI	Call TI	-55 to 125	
<a href="#">ISO7763FDWR</a>	Active	Production	SOIC (DW)   16	2000   LARGE T&R	Yes	NIPDAU	Level-2-260C-1 YEAR	-55 to 125	ISO7763F
ISO7763FDWR.A	Active	Production	SOIC (DW)   16	2000   LARGE T&R	Yes	NIPDAU	Level-2-260C-1 YEAR	-55 to 125	ISO7763F
ISO7763FDWR.B	Active	Production	SOIC (DW)   16	2000   LARGE T&R	-	Call TI	Call TI	-55 to 125	

<sup>(1)</sup> **Status:** For more details on status, see our [product life cycle](#).



(2) **Material type:** When designated, preproduction parts are prototypes/experimental devices, and are not yet approved or released for full production. Testing and final process, including without limitation quality assurance, reliability performance testing, and/or process qualification, may not yet be complete, and this item is subject to further changes or possible discontinuation. If available for ordering, purchases will be subject to an additional waiver at checkout, and are intended for early internal evaluation purposes only. These items are sold without warranties of any kind.

(3) **RoHS values:** Yes, No, RoHS Exempt. See the [TI RoHS Statement](#) for additional information and value definition.

(4) **Lead finish/Ball material:** Parts may have multiple material finish options. Finish options are separated by a vertical ruled line. Lead finish/Ball material values may wrap to two lines if the finish value exceeds the maximum column width.

(5) **MSL rating/Peak reflow:** The moisture sensitivity level ratings and peak solder (reflow) temperatures. In the event that a part has multiple moisture sensitivity ratings, only the lowest level per JEDEC standards is shown. Refer to the shipping label for the actual reflow temperature that will be used to mount the part to the printed circuit board.

(6) **Part marking:** There may be an additional marking, which relates to the logo, the lot trace code information, or the environmental category of the part.

Multiple part markings will be inside parentheses. Only one part marking contained in parentheses and separated by a "~" will appear on a part. If a line is indented then it is a continuation of the previous line and the two combined represent the entire part marking for that device.

**Important Information and Disclaimer:** The information provided on this page represents TI's knowledge and belief as of the date that it is provided. TI bases its knowledge and belief on information provided by third parties, and makes no representation or warranty as to the accuracy of such information. Efforts are underway to better integrate information from third parties. TI has taken and continues to take reasonable steps to provide representative and accurate information but may not have conducted destructive testing or chemical analysis on incoming materials and chemicals. TI and TI suppliers consider certain information to be proprietary, and thus CAS numbers and other limited information may not be available for release.

In no event shall TI's liability arising out of such information exceed the total purchase price of the TI part(s) at issue in this document sold by TI to Customer on an annual basis.

**OTHER QUALIFIED VERSIONS OF ISO7760, ISO7761, ISO7762, ISO7763 :**

- Automotive : [ISO7760-Q1](#), [ISO7761-Q1](#), [ISO7762-Q1](#), [ISO7763-Q1](#)

NOTE: Qualified Version Definitions:

- Automotive - Q100 devices qualified for high-reliability automotive applications targeting zero defects

**TAPE AND REEL INFORMATION**

**QUADRANT ASSIGNMENTS FOR PIN 1 ORIENTATION IN TAPE**


\*All dimensions are nominal

Device	Package Type	Package Drawing	Pins	SPQ	Reel Diameter (mm)	Reel Width W1 (mm)	A0 (mm)	B0 (mm)	K0 (mm)	P1 (mm)	W (mm)	Pin1 Quadrant
ISO7760DBQR	SSOP	DBQ	16	2500	330.0	12.4	6.4	5.2	2.1	8.0	12.0	Q1
ISO7760DWR	SOIC	DW	16	2000	330.0	16.4	10.75	10.7	2.7	12.0	16.0	Q1
ISO7760FDBQR	SSOP	DBQ	16	2500	330.0	12.4	6.4	5.2	2.1	8.0	12.0	Q1
ISO7760FDWR	SOIC	DW	16	2000	330.0	16.4	10.75	10.7	2.7	12.0	16.0	Q1
ISO7761DBQR	SSOP	DBQ	16	2500	330.0	12.4	6.4	5.2	2.1	8.0	12.0	Q1
ISO7761DBQR	SSOP	DBQ	16	2500	330.0	12.4	6.4	5.2	2.1	8.0	12.0	Q1
ISO7761DWR	SOIC	DW	16	2000	330.0	16.4	10.75	10.7	2.7	12.0	16.0	Q1
ISO7761FDBQR	SSOP	DBQ	16	2500	330.0	12.4	6.4	5.2	2.1	8.0	12.0	Q1
ISO7761FDBQR	SSOP	DBQ	16	2500	330.0	12.4	6.4	5.2	2.1	8.0	12.0	Q1
ISO7761FDWR	SOIC	DW	16	2000	330.0	16.4	10.75	10.7	2.7	12.0	16.0	Q1
ISO7762DBQR	SSOP	DBQ	16	2500	330.0	12.4	6.4	5.2	2.1	8.0	12.0	Q1
ISO7762DBQRG4	SSOP	DBQ	16	2500	330.0	12.4	6.4	5.2	2.1	8.0	12.0	Q1
ISO7762DWR	SOIC	DW	16	2000	330.0	16.4	10.75	10.7	2.7	12.0	16.0	Q1
ISO7762FDBQR	SSOP	DBQ	16	2500	330.0	12.4	6.4	5.2	2.1	8.0	12.0	Q1
ISO7762FDBQRG4	SSOP	DBQ	16	2500	330.0	12.4	6.4	5.2	2.1	8.0	12.0	Q1
ISO7762FDWR	SOIC	DW	16	2000	330.0	16.4	10.75	10.7	2.7	12.0	16.0	Q1

Device	Package Type	Package Drawing	Pins	SPQ	Reel Diameter (mm)	Reel Width W1 (mm)	A0 (mm)	B0 (mm)	K0 (mm)	P1 (mm)	W (mm)	Pin1 Quadrant
ISO7763DBQR	SSOP	DBQ	16	2500	330.0	12.4	6.4	5.2	2.1	8.0	12.0	Q1
ISO7763DWR	SOIC	DW	16	2000	330.0	16.4	10.75	10.7	2.7	12.0	16.0	Q1
ISO7763FDBQR	SSOP	DBQ	16	2500	330.0	12.4	6.4	5.2	2.1	8.0	12.0	Q1
ISO7763FDBQRG4	SSOP	DBQ	16	2500	330.0	12.4	6.4	5.2	2.1	8.0	12.0	Q1
ISO7763FDWR	SOIC	DW	16	2000	330.0	16.4	10.75	10.7	2.7	12.0	16.0	Q1

**TAPE AND REEL BOX DIMENSIONS**


\*All dimensions are nominal

Device	Package Type	Package Drawing	Pins	SPQ	Length (mm)	Width (mm)	Height (mm)
ISO7760DBQR	SSOP	DBQ	16	2500	353.0	353.0	32.0
ISO7760DWR	SOIC	DW	16	2000	353.0	353.0	32.0
ISO7760FDBQR	SSOP	DBQ	16	2500	350.0	350.0	43.0
ISO7760FDWR	SOIC	DW	16	2000	353.0	353.0	32.0
ISO7761DBQR	SSOP	DBQ	16	2500	350.0	350.0	43.0
ISO7761DBQR	SSOP	DBQ	16	2500	353.0	353.0	32.0
ISO7761DWR	SOIC	DW	16	2000	353.0	353.0	32.0
ISO7761FDBQR	SSOP	DBQ	16	2500	353.0	353.0	32.0
ISO7761FDBQR	SSOP	DBQ	16	2500	350.0	350.0	43.0
ISO7761FDWR	SOIC	DW	16	2000	353.0	353.0	32.0
ISO7762DBQR	SSOP	DBQ	16	2500	350.0	350.0	43.0
ISO7762DBQRG4	SSOP	DBQ	16	2500	350.0	350.0	43.0
ISO7762DWR	SOIC	DW	16	2000	353.0	353.0	32.0
ISO7762FDBQR	SSOP	DBQ	16	2500	350.0	350.0	43.0
ISO7762FDBQRG4	SSOP	DBQ	16	2500	350.0	350.0	43.0
ISO7762FDWR	SOIC	DW	16	2000	353.0	353.0	32.0
ISO7763DBQR	SSOP	DBQ	16	2500	353.0	353.0	32.0
ISO7763DWR	SOIC	DW	16	2000	353.0	353.0	32.0

---

Device	Package Type	Package Drawing	Pins	SPQ	Length (mm)	Width (mm)	Height (mm)
ISO7763FDBQR	SSOP	DBQ	16	2500	353.0	353.0	32.0
ISO7763FDBQRG4	SSOP	DBQ	16	2500	350.0	350.0	43.0
ISO7763FDWR	SOIC	DW	16	2000	353.0	353.0	32.0

## GENERIC PACKAGE VIEW

**DW 16**

**SOIC - 2.65 mm max height**

7.5 x 10.3, 1.27 mm pitch

SMALL OUTLINE INTEGRATED CIRCUIT

This image is a representation of the package family, actual package may vary.  
Refer to the product data sheet for package details.



4224780/A

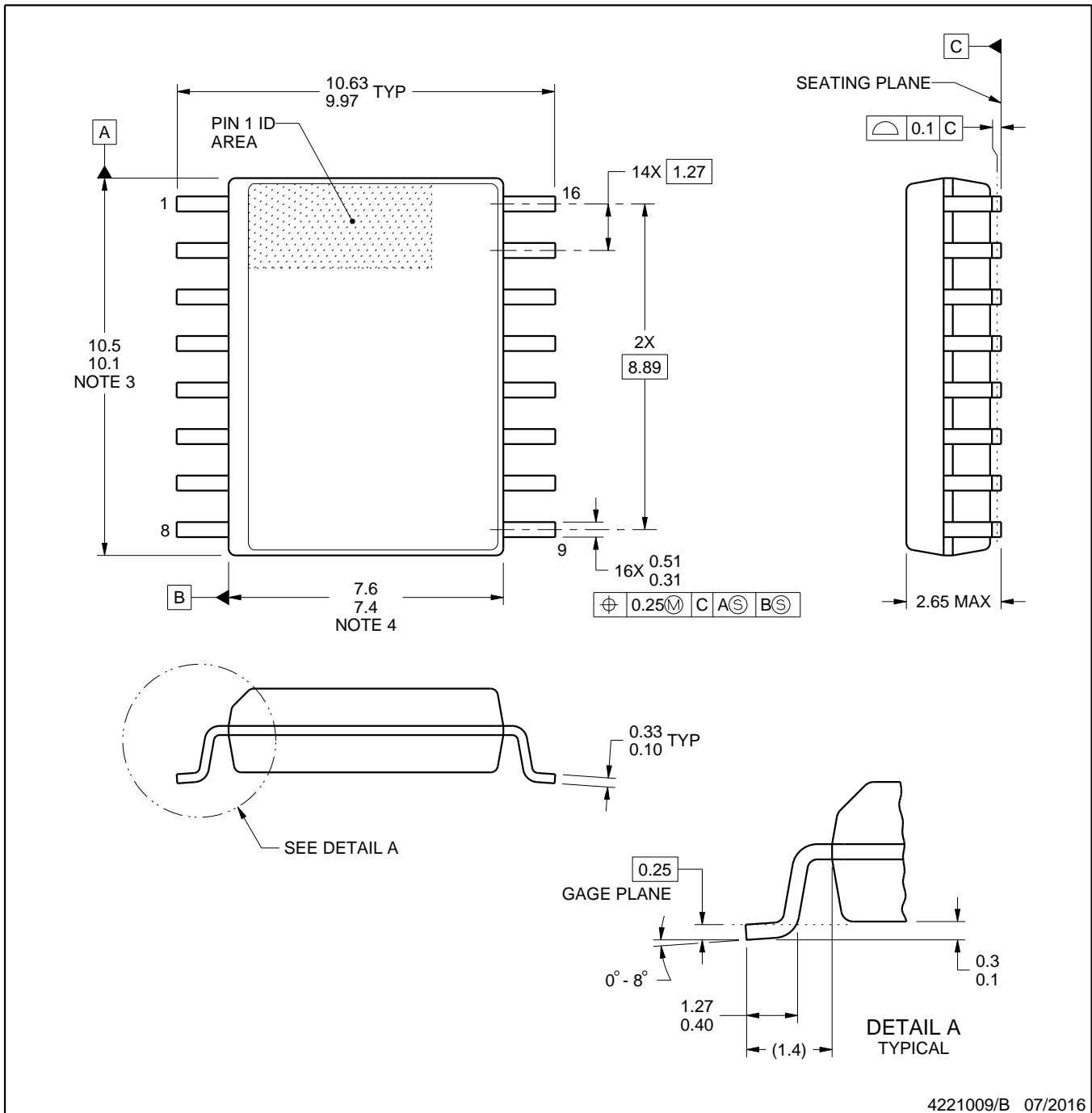


DW0016B

# PACKAGE OUTLINE

SOIC - 2.65 mm max height

SOIC



4221009/B 07/2016

NOTES:

1. All linear dimensions are in millimeters. Dimensions in parenthesis are for reference only. Dimensioning and tolerancing per ASME Y14.5M.
2. This drawing is subject to change without notice.
3. This dimension does not include mold flash, protrusions, or gate burrs. Mold flash, protrusions, or gate burrs shall not exceed 0.15 mm, per side.
4. This dimension does not include interlead flash. Interlead flash shall not exceed 0.25 mm, per side.
5. Reference JEDEC registration MS-013.

# EXAMPLE BOARD LAYOUT

DW0016B

SOIC - 2.65 mm max height

SOIC



LAND PATTERN EXAMPLE  
SCALE:4X



SOLDER MASK DETAILS

4221009/B 07/2016

NOTES: (continued)

- 6. Publication IPC-7351 may have alternate designs.
- 7. Solder mask tolerances between and around signal pads can vary based on board fabrication site.



# EXAMPLE STENCIL DESIGN

DW0016B

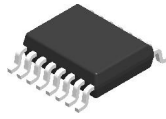
SOIC - 2.65 mm max height

SOIC



NOTES: (continued)

8. Laser cutting apertures with trapezoidal walls and rounded corners may offer better paste release. IPC-7525 may have alternate design recommendations.
9. Board assembly site may have different recommendations for stencil design.



# DBQ0016A

# PACKAGE OUTLINE

## SSOP - 1.75 mm max height

SHRINK SMALL-OUTLINE PACKAGE



### NOTES:

1. Linear dimensions are in inches [millimeters]. Dimensions in parenthesis are for reference only. Controlling dimensions are in inches. Dimensioning and tolerancing per ASME Y14.5M.
2. This drawing is subject to change without notice.
3. This dimension does not include mold flash, protrusions, or gate burrs. Mold flash, protrusions, or gate burrs shall not exceed .006 inch, per side.
4. This dimension does not include interlead flash.
5. Reference JEDEC registration MO-137, variation AB.

# EXAMPLE BOARD LAYOUT

DBQ0016A

SSOP - 1.75 mm max height

SHRINK SMALL-OUTLINE PACKAGE



LAND PATTERN EXAMPLE  
SCALE:8X



SOLDER MASK DETAILS

4214846/A 03/2014

NOTES: (continued)

- 6. Publication IPC-7351 may have alternate designs.
- 7. Solder mask tolerances between and around signal pads can vary based on board fabrication site.

# EXAMPLE STENCIL DESIGN

DBQ0016A

SSOP - 1.75 mm max height

SHRINK SMALL-OUTLINE PACKAGE



SOLDER PASTE EXAMPLE  
BASED ON .005 INCH [0.127 MM] THICK STENCIL  
SCALE:8X

4214846/A 03/2014

NOTES: (continued)

8. Laser cutting apertures with trapezoidal walls and rounded corners may offer better paste release. IPC-7525 may have alternate design recommendations.
9. Board assembly site may have different recommendations for stencil design.

## 重要なお知らせと免責事項

TI は、技術データと信頼性データ(データシートを含みます)、設計リソース(リファレンス デザインを含みます)、アプリケーションや設計に関する各種アドバイス、Web ツール、安全性情報、その他のリソースを、欠陥が存在する可能性のある「現状のまま」提供しており、商品性および特定目的に対する適合性の黙示保証、第三者の知的財産権の非侵害保証を含むいかなる保証も、明示的または黙示的にかかわらず拒否します。

これらのリソースは、TI 製品を使用する設計の経験を積んだ開発者への提供を意図したものです。(1) お客様のアプリケーションに適した TI 製品の選定、(2) お客様のアプリケーションの設計、検証、試験、(3) お客様のアプリケーションに該当する各種規格や、その他のあらゆる安全性、セキュリティ、規制、または他の要件への確実な適合に関する責任を、お客様のみが単独で負うものとし、

上記の各種リソースは、予告なく変更される可能性があります。これらのリソースは、リソースで説明されている TI 製品を使用するアプリケーションの開発の目的でのみ、TI はその使用をお客様に許諾します。これらのリソースに関して、他の目的で複製することや掲載することは禁止されています。TI や第三者の知的財産権のライセンスが付与されている訳ではありません。お客様は、これらのリソースを自身で使用した結果発生するあらゆる申し立て、損害、費用、損失、責任について、TI およびその代理人を完全に補償するものとし、TI は一切の責任を拒否します。

TI の製品は、[TI の販売条件](#)、[TI の総合的な品質ガイドライン](#)、[ti.com](#) または TI 製品などに関連して提供される他の適用条件に従い提供されます。TI がこれらのリソースを提供することは、適用される TI の保証または他の保証の放棄の拡大や変更を意味するものではありません。TI がカスタム、またはカスタマー仕様として明示的に指定していない限り、TI の製品は標準的なカタログに掲載される汎用機器です。

お客様がいかなる追加条項または代替条項を提案する場合も、TI はそれらに異議を唱え、拒否します。

Copyright © 2025, Texas Instruments Incorporated

最終更新日：2025 年 10 月