

# LM117QML-SP RHA 4.25V~41.25V 3 端子可変レギュレータ

## 1 特長

- 吸収線量 (TID) 100krad (Si) までの放射線耐性保証 (RHA)
  - 50~300rad(Si)/s の高線量率 (HDR) オプション
  - 10mrad(Si)/s の低線量率 (LDR) オプション
- 0.5A または 1.5A 出力電流オプションを規定
- 可変出力電圧: 最小 1.2V
- 温度に対して一定の電流制限
- 出力の短絡保護

## 2 アプリケーション

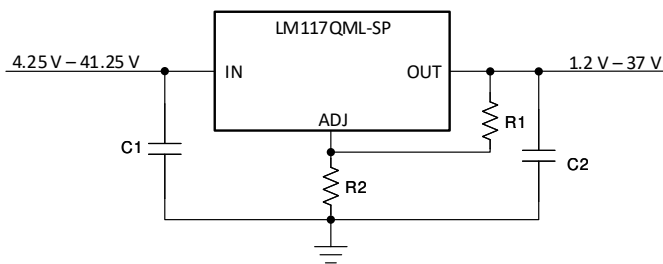
- 衛星用電源システム (EPS)
- PWM コントローラ用のバイアス電源

## 3 概要

LM117QML-SP 3 ピン正電圧リニア・レギュレータは 1.2V ~37V の出力範囲で 0.5A または 1.5A を供給できます。本デバイスは簡単に使用でき、2 つの外付け抵抗だけで出力電圧を設定できます。

本レギュレータはフローティング状態で実装され、入出力電圧差のみを監視するため、入出力電圧差の最大値を超過しない限り、数百ボルトの電源でもレギュレート可能です。

フライトで実証済みの LM117HVQML-SP には、電流制限、熱過負荷保護、安全領域保護など、完全な過負荷保護機能が搭載されています。本デバイスは非常に多目的であり、可変スイッチング・レギュレータ、プログラマブル出力レギュレータ、高精度電流レギュレータなどとしても使用できます。



代表的な回路図

高電圧アプリケーションの場合、LM117HVQML-SP はピン互換のドロップイン代替品で、最大 60V に適しています。LM117QML-SP の負の補数については、LM137QML-SP を参照してください。

### 製品情報

部品番号 (1)	グレード (2)	パッケージ (3)
LM117GWRLQMLV	LDR フライト・グレード	CFP SOIC (NAC) 16 ピン 6.35mm × 9.91mm 質量 = 0.467g (5)
5962R9951707VZA	QMLV RHA 100 krad(Si)	
LM117GWRQMLV	HDR フライト・グレード	TO-39 (NDT) 3 ピン 8.26mm × 8.26mm 質量 = 1.036g (5)
5962R9951706VZA	QMLV RHA 100 krad(Si)	
LM117HRLQMLV	LDR フライト・グレード	TO-3 (K) 2 ピン 25.4mm × 38.94mm 質量 = 12.291g (5)
5962R9951705VXA	QMLV RHA 100 krad(Si)	
LM117HRQMLV	HDR フライト・グレード	ダイ 2.18mm × 2.36mm
5962R9951703VXA	QMLV RHA 100 krad(Si)	
LM117NDT/EM	エンジニアリング・サンプル (4)	
LM117KRQMLV	HDR フライト・グレード	ダイ 2.18mm × 2.36mm
5962R9951704VYA	QMLV RHA 100 krad(Si)	
LM117K/EM	エンジニアリング・サンプル (4)	
LM117H MDE	LDR フライト・グレード	ダイ 2.18mm × 2.36mm
5962R9951705V9A	QMLV RHA 100 krad(Si)	
LM117H MDR	HDR フライト・グレード	ダイ 2.18mm × 2.36mm
5962R9951703V9A	QMLV RHA 100 krad(Si)	

- (1) 利用可能なパッケージについては、このデータシートの末尾にある注文情報を参照してください。
- (2) 部品のグレードについての追加情報は、[SLYB235](#) をご覧ください。
- (3) 梱包の詳細は、[テキサス・インスツルメンツのパッケージ](#)のページを参照してください。
- (4) これらのユニットは、エンジニアリング評価のみを目的としており、標準とは異なるフローに従って処理されています。認定、量産、放射線テスト、航空での使用には適していません。MIL に規定されている温度範囲全体 (-55°C~125°C) にわたる性能も動作寿命全体にわたる性能も保証されていません。
- (5) 質量の精度は ±10% です。



## Table of Contents

<b>1 特長</b> .....	<b>1</b>	<b>8 Detailed Description</b> .....	<b>13</b>
<b>2 アプリケーション</b> .....	<b>1</b>	8.1 Overview.....	13
<b>3 概要</b> .....	<b>1</b>	8.2 Functional Block Diagram.....	13
<b>4 Revision History</b> .....	<b>2</b>	8.3 Setting Output Voltage.....	14
<b>5 Device Comparison Table</b> .....	<b>3</b>	8.4 External Capacitors.....	15
<b>6 Pin Configurations and Functions</b> .....	<b>4</b>	8.5 Load Regulation.....	15
<b>7 Specifications</b> .....	<b>5</b>	8.6 Protection Diodes.....	15
7.1 Absolute Maximum Ratings.....	5	<b>9 Application and Implementation</b> .....	<b>17</b>
7.2 ESD Ratings.....	5	9.1 Typical Applications.....	17
7.3 Recommended Operating Conditions.....	5	<b>10 Power Supply Recommendations</b> .....	<b>26</b>
7.4 Thermal Information.....	5	<b>11 Layout</b> .....	<b>27</b>
7.5 Electrical Characteristics: 0.5–A I <sub>OUT</sub> Devices (LM117H, LM117GW).....	6	11.1 Layout Guidelines.....	27
7.6 Parameter Drift: 0.5–A I <sub>OUT</sub> Devices (LM117H, LM117GW).....	7	<b>12 Device and Documentation Support</b> .....	<b>28</b>
7.7 Electrical Characteristics: 1.5–A I <sub>OUT</sub> Devices (LM117K).....	8	12.1 Device Support.....	28
7.8 Parameter Drift: 1.5–A I <sub>OUT</sub> Devices (LM117K).....	9	12.2 Documentation Support.....	28
7.9 Quality Conformance Inspection.....	10	12.3 ドキュメントの更新通知を受け取る方法.....	28
7.10 Typical Characteristics.....	11	12.4 サポート・リソース.....	28
		12.5 Trademarks.....	28
		12.6 静電気放電に関する注意事項.....	28
		12.7 用語集.....	28

## 4 Revision History

資料番号末尾の英字は改訂を表しています。その改訂履歴は英語版に準じています。

DATE	REVISION	NOTES
April 2021	*	Initial Release

## 5 Device Comparison Table

PART NUMBER	INPUT VOLTAGE RANGE	I <sub>OUT</sub>	PART NUMBER SUFFIX	PACKAGE	RADIATION TESTING <sup>(1)</sup>	
LM117QML-SP	4.25 V to 41.25 V	1.5 A	K	TO-3 (K) 2 pin	HDR 100 krad(Si)	
					LDR 100 krad(Si)	
		0.5 A	H	TO-39 (NDT) 3 pin	HDR 100 krad(Si)	
					LDR 100 krad(Si)	
				Die	HDR 100 krad(Si)	
					LDR 100 krad(Si)	
GW	CFP SOIC (NAC) 16 pin	HDR 100 krad(Si)				
		LDR 100 krad(Si)				
LM117HVQML-SP	4.25 V to 60 V	0.5 A	H	TO-39 (NDT) 3 pin	LDR 100 krad(Si)	
					HDR 100 krad(Si)	
				Die	LDR 100 krad(Si)	
					HDR 100 krad(Si)	
				GW	CFP SOIC (NAC) 16 pin	LDR 100 krad(Si)
						HDR 100 krad(Si)
LM137QML-SP	-41.25 V to -4.25 V	1.5 A	H	TO-39 (NDT) 3 pin	HDR 30 krad(Si)	

(1) The [Device Information](#) table can be referenced for information on which part numbers correspond to LDR or HDR options.

## 6 Pin Configurations and Functions

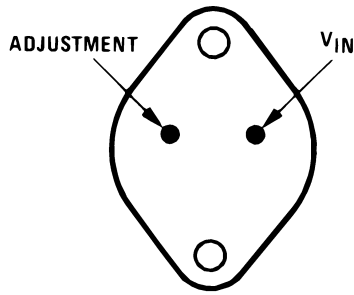


图 6-1. LM117K K Package  
 2-Pin TO-3 (Metal Can)  
 Bottom View

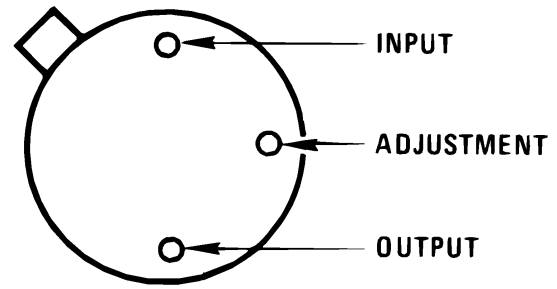


图 6-2. LM117H, LM117NDT NDT Package  
 3-Pin TO-39 (Metal Can)  
 Bottom View

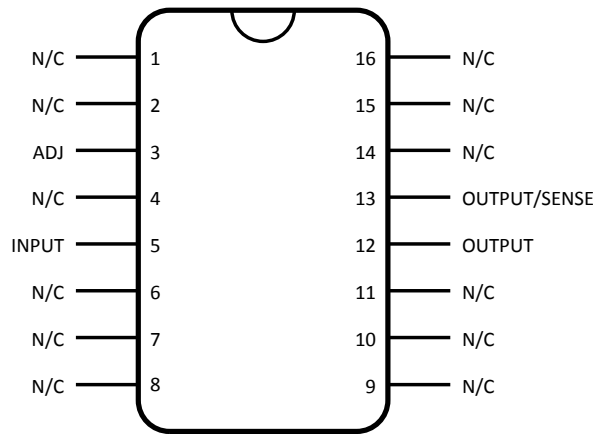


图 6-3. LM117GW NAC Package  
 16-Pin CFP SOIC  
 Top View

表 6-1. Pin Functions

NAME	PIN			I/O	DESCRIPTION
	TO-3	TO-39	CFP SOIC		
ADJ	1	2	3	—	Adjust pin
$V_{IN}$	2	1	5	I	Input voltage pin for the regulator
$V_{OUT}$	CASE	3, CASE	12	O	Output voltage pin for the regulator
OUTPUT/SENSE	—	—	13	—	Used to sense the output voltage. Must be connected to $V_{OUT}$ for proper operation.
N/C	—	—	1, 2, 4, 6, 7, 8, 9, 10, 11, 14, 15, 16	—	No connection. These pins have no internal connections and may be grounded or left floating. They may also be connected to the board heatsink and used for thermal dissipation.

## 7 Specifications

### 7.1 Absolute Maximum Ratings

Over operating free-air temperature range (unless otherwise noted)<sup>(1)</sup>

		MIN	MAX	UNIT
	Power dissipation <sup>(2)</sup>	Internally limited		
	Input-output voltage differential	-0.3	40	V
T <sub>stg</sub>	Storage temperature	-65	150	°C
T <sub>Jmax</sub>	Maximum junction temperature		150	°C
	Lead temperature metal package		300	°C

- Operation outside the Absolute Maximum Ratings may cause permanent device damage. Absolute Maximum Ratings do not imply functional operation of the device at these or any other conditions beyond those listed under Recommended Operating Conditions. If used outside the Recommended Operating Conditions but within the Absolute Maximum Ratings, the device may not be fully functional, and this may affect device reliability, functionality, performance, and shorten the device lifetime.
- The maximum power dissipation must be derated at elevated temperatures and is dictated by T<sub>Jmax</sub> (maximum junction temperature), θ<sub>JA</sub> (package junction to ambient thermal resistance), and T<sub>A</sub> (ambient temperature). The maximum allowable power dissipation at any temperature is P<sub>Dmax</sub> = (T<sub>Jmax</sub> - T<sub>A</sub>) / θ<sub>JA</sub> or the number given in the Absolute Maximum Ratings, whichever is lower. Although power dissipation is internally limited, these specifications are applicable for power dissipations of 2 W for the TO-39 and CFP packages, and 20 W for the TO-3 package.

### 7.2 ESD Ratings

		VALUE	UNIT
V <sub>(ESD)</sub>	Electrostatic discharge Human-body model (HBM) <sup>(1) (2)</sup>	±3000	V

- JEDEC document JEP155 states that 500-V HBM allows safe manufacturing with a standard ESD control process.
- Human body model, 100 pF discharged through a 1.5-kΩ resistor.

### 7.3 Recommended Operating Conditions

		MIN	MAX	UNIT
T <sub>A</sub>	Operating temperature	-55	125	°C
V <sub>IN</sub>	Input voltage	4.25	41.25	V

### 7.4 Thermal Information

THERMAL METRIC <sup>(1)</sup>			PACKAGE			UNIT
			TO-3 (K) 2 pin (LM117K)	TO-39 (NDT) 3 pin (LM117H)	CFP SOIC (NAC) 16 pin (LM117GW)	
R <sub>θJA</sub>	Junction-to-ambient thermal resistance	Still air	39	186	130	°C/W
		500 LF/min air flow	14	64	80	
R <sub>θJC(bot)</sub>	Junction-to-case (bottom) thermal resistance		1.9	21	7	°C/W

- For more information, see the [Semiconductor and IC package thermal metrics](#) application report.

## 7.5 Electrical Characteristics: 0.5–A I<sub>OUT</sub> Devices (LM117H, LM117GW)

Over operating temperature range (T = –55°C to 125°C) unless otherwise noted.

PARAMETER		TEST CONDITIONS <sup>(1)</sup>		SUBGROUP <sup>(2)</sup>	MIN	MAX	UNIT
V <sub>O</sub>	Output voltage	V <sub>I</sub> = 4.25 V, I <sub>L</sub> = –5 mA		1, 2, 3	1.2	1.3	V
			25°C Post-radiation	1		1.35	
		V <sub>I</sub> = 4.25 V, I <sub>L</sub> = –500 mA		1, 2, 3	1.2	1.3	
			25°C Post-radiation	1		1.35	
		V <sub>I</sub> = 41.25 V, I <sub>L</sub> = –5 mA		1, 2, 3	1.2	1.3	
			25°C Post-radiation	1		1.35	
V <sub>I</sub> = 41.25V, I <sub>L</sub> = –50mA		1, 2, 3	1.2	1.3			
		25°C Post-radiation	1	1.35			
		V <sub>I</sub> = 6.25 V, I <sub>L</sub> = –5 mA	125°C	2	1.2	1.3	
V <sub>RLine</sub>	Line regulation	4.25 V ≤ V <sub>I</sub> ≤ 41.25 V, I <sub>L</sub> = –5 mA	25°C	1	–9	9	mV
			125°C, –55°C	2, 3	–23	23	
			25°C Post-radiation	1	–25	25	
V <sub>RLoad</sub>	Load regulation	V <sub>I</sub> = 6.25 V, –500 mA ≤ I <sub>L</sub> ≤ –5 mA		1, 2, 3	–12	12	mV
		V <sub>I</sub> = 41.25 V, –50 mA ≤ I <sub>L</sub> ≤ –5 mA		1, 2, 3	–12	12	
V <sub>RTh</sub>	Thermal regulation	V <sub>I</sub> = 14.6 V, I <sub>L</sub> = –500 mA	25°C	1	–12	12	mV
I <sub>Adj</sub>	Adjust pin current	V <sub>I</sub> = 4.25 V, I <sub>L</sub> = –5 mA		1, 2, 3	–100	–15	μA
		V <sub>I</sub> = 41.25 V, I <sub>L</sub> = –5 mA		1, 2, 3	–100	–15	
ΔI <sub>Adj</sub> /Line	Adjust pin current change	4.25 V ≤ V <sub>I</sub> ≤ 41.25 V, I <sub>L</sub> = –5 mA		1, 2, 3	–5	5	μA
ΔI <sub>Adj</sub> /Load	Adjust pin current change	V <sub>I</sub> = 6.25 V, –500 mA ≤ I <sub>L</sub> ≤ –5 mA		1, 2, 3	–5	5	μA
I <sub>Q</sub>	Minimum load current	V <sub>I</sub> = 4.25 V, Forced V <sub>O</sub> = 1.4 V		1, 2, 3	–3	–0.5	mA
		V <sub>I</sub> = 14.25 V, Forced V <sub>O</sub> = 1.4 V		1, 2, 3	–3	–0.5	
		V <sub>I</sub> = 41.25 V, Forced V <sub>O</sub> = 1.4 V		1, 2, 3	–5	–1	
I <sub>os</sub>	Output short circuit current	V <sub>I</sub> = 4.25 V		1, 2, 3	–1.8	–0.5	A
		V <sub>I</sub> = 40 V		1, 2, 3	–0.5	–0.05	
V <sub>O</sub> (Recov)	Output voltage recovery	V <sub>I</sub> = 4.25 V, R <sub>L</sub> = 2.5 Ω, C <sub>L</sub> = 20 μF		1, 2, 3	1.2	1.3	V
			25°C Post-radiation	1		1.35	
		V <sub>I</sub> = 40 V, R <sub>L</sub> = 250 Ω		1, 2, 3	1.2	1.3	
			25°C Post-radiation	1		1.35	
V <sub>Start</sub>	Voltage start-up	V <sub>I</sub> = 4.25 V, R <sub>L</sub> = 2.5 Ω, C <sub>L</sub> = 20 μF, I <sub>L</sub> = –500 mA		1, 2, 3	1.2	1.3	V
V <sub>NO</sub>	Output noise voltage	V <sub>I</sub> = 6.25 V, I <sub>L</sub> = –50 mA	25°C	7		120	μV <sub>RMS</sub>
ΔV <sub>O</sub> / ΔV <sub>I</sub>	Line transient response	V <sub>I</sub> = 6.25 V, ΔV <sub>I</sub> = 3 V, I <sub>L</sub> = –10 mA	25°C	7		6	mV/V

## 7.5 Electrical Characteristics: 0.5–A I<sub>OUT</sub> Devices (LM117H, LM117GW) (continued)

Over operating temperature range (T = –55°C to 125°C) unless otherwise noted.

PARAMETER		TEST CONDITIONS <sup>(1)</sup>		SUBGROUP <sup>(2)</sup>	MIN	MAX	UNIT
$\Delta V_O / \Delta I_L$	Load transient response	$V_I = 6.25\text{V}$ , $\Delta I_L = -200\text{ mA}$ , $I_L = -50\text{ mA}$	25°C	7		0.6	mV/mA
$\Delta V_I / \Delta V_O$	Ripple rejection	$V_I = 6.25\text{ V}$ , $I_L = -125\text{ mA}$ , $E_I = 1\text{ V}_{\text{RMS}}$ at $f = 2400\text{ Hz}$	25°C	4	65		dB
			25°C Post-radiation	4	60		

(1) Pre- and post-irradiation limits are identical for the parameters above unless specified by the test conditions.

(2) For subgroup definitions, see [Quality Conformance Inspection](#) table.

## 7.6 Parameter Drift: 0.5–A I<sub>OUT</sub> Devices (LM117H, LM117GW)

The following deltas are for Group C (Life Test). Data is measured at 25°C.

PARAMETER		TEST CONDITIONS	SUBGROUP <sup>(1)</sup>	MIN	MAX	UNIT
$V_O$	Output voltage	$V_I = 4.25\text{ V}$ , $I_L = -5\text{ mA}$	1	–0.01	0.01	V
		$V_I = 4.25\text{ V}$ , $I_L = -500\text{ mA}$	1	–0.01	0.01	
		$V_I = 41.25\text{ V}$ , $I_L = -5\text{ mA}$	1	–0.01	0.01	
		$V_I = 41.25\text{ V}$ , $I_L = -50\text{ mA}$	1	–0.01	0.01	
$V_{\text{RLine}}$	Line regulation	$4.25\text{ V} \leq V_I \leq 41.25\text{ V}$ , $I_L = -5\text{ mA}$	1	–4.0	4.0	mV
$I_{\text{Adj}}$	Adjust pin current	$V_I = 4.25\text{ V}$ , $I_L = -5\text{ mA}$	1	–10	10	μA
		$V_I = 41.25\text{ V}$ , $I_L = -5\text{ mA}$	1	–10	10	
$V_O$ (Recov)	Output voltage recovery	$V_I = 4.25\text{ V}$ , $R_L = 2.5\ \Omega$ , $C_L = 20\ \mu\text{F}$	1	–0.01	0.01	V
		$V_I = 40\text{ V}$ , $R_L = 250\ \Omega$	1	–0.01	0.01	

(1) For subgroup definitions, see [Quality Conformance Inspection](#) table.

## 7.7 Electrical Characteristics: 1.5–A I<sub>OUT</sub> Devices (LM117K)

Over operating temperature range (T = –55°C to 125°C) unless otherwise noted.

PARAMETER		TEST CONDITIONS <sup>(1)</sup>		SUBGROUP <sup>(2)</sup>	MIN	MAX	UNIT
V <sub>O</sub>	Output voltage	V <sub>I</sub> = 4.25 V, I <sub>L</sub> = –5 mA		1, 2, 3	1.2	1.3	V
			25°C Post-radiation	1		1.35	
		V <sub>I</sub> = 4.25 V, I <sub>L</sub> = –1.5 A		1, 2, 3	1.2	1.3	
			25°C Post-radiation	1		1.35	
		V <sub>I</sub> = 41.25 V, I <sub>L</sub> = –5 mA		1, 2, 3	1.2	1.3	
			25°C Post-radiation	1		1.35	
V <sub>I</sub> = 41.25 V, I <sub>L</sub> = –200 mA		1, 2, 3	1.2	1.3			
	25°C Post-radiation	1		1.35			
		V <sub>I</sub> = 6.25 V, I <sub>L</sub> = –5 mA	125°C	2	1.2	1.3	
V <sub>RLine</sub>	Line regulation	4.25 V ≤ V <sub>I</sub> ≤ 41.25 V, I <sub>L</sub> = –5 mA	25°C	1	–9	9	mV
			125°C, –55°C	2, 3	–23	23	
			25°C Post-radiation	1	–25	25	
V <sub>RLoad</sub>	Load regulation	V <sub>I</sub> = 6.25 V, –1.5 A ≤ I <sub>L</sub> ≤ –5 mA	25°C	1	–3.5	3.5	mV
			125°C, –55°C	2, 3	–12	12	
			25°C Post-radiation	1	–7	7	
		V <sub>I</sub> = 41.25 V, –200 mA ≤ I <sub>L</sub> ≤ –5 mA	25°C	1	–3.5	3.5	
			125°C, –55°C	2, 3	–12	12	
			25°C Post-radiation	1	–7	7	
V <sub>RTh</sub>	Thermal regulation	V <sub>I</sub> = 14.6 V, I <sub>L</sub> = –1.5 A	25°C	1	–12	12	mV
I <sub>Adj</sub>	Adjust pin current	V <sub>I</sub> = 4.25 V, I <sub>L</sub> = –5 mA		1, 2, 3	–100	–15	μA
		V <sub>I</sub> = 41.25 V, I <sub>L</sub> = –5 mA		1, 2, 3	–100	–15	
ΔI <sub>Adj</sub> / Line	Adjust pin current change	4.25 V ≤ V <sub>I</sub> ≤ 41.25 V, I <sub>L</sub> = –5 mA		1, 2, 3	–5	5	μA
ΔI <sub>Adj</sub> / Load	Adjust pin current change	V <sub>I</sub> = 6.25 V, –1.5 A ≤ I <sub>L</sub> ≤ –5 mA		1, 2, 3	–5	5	μA
I <sub>Q</sub>	Minimum load current	V <sub>I</sub> = 4.25 V, Forced V <sub>O</sub> = 1.4 V		1, 2, 3	–3	–0.2	mA
		V <sub>I</sub> = 14.25 V, Forced V <sub>O</sub> = 1.4 V		1, 2, 3	–3	–0.2	
		V <sub>I</sub> = 41.25 V, Forced V <sub>O</sub> = 1.4 V		1, 2, 3	–5	–0.2	
I <sub>OS</sub>	Output short circuit current	V <sub>I</sub> = 4.25 V		1, 2, 3	–3.5	–1.5	A
		V <sub>I</sub> = 40 V		1, 2, 3	–1	–0.18	



## 7.7 Electrical Characteristics: 1.5–A I<sub>OUT</sub> Devices (LM117K) (continued)

Over operating temperature range (T = –55°C to 125°C) unless otherwise noted.

PARAMETER		TEST CONDITIONS <sup>(1)</sup>		SUBGROUP <sup>(2)</sup>	MIN	MAX	UNIT
V <sub>O</sub> (Recov)	Output voltage recovery	V <sub>I</sub> = 4.25 V, R <sub>L</sub> = 0.833 Ω, C <sub>L</sub> = 20 μF		1, 2, 3	1.2	1.3	V
			25°C Post-radiation	1		1.35	
		V <sub>I</sub> = 40 V, R <sub>L</sub> = 250 Ω		1, 2, 3	1.2	1.3	
			25°C Post-radiation	1		1.35	
V <sub>Start</sub>	Voltage start-up	V <sub>I</sub> = 4.25 V, R <sub>L</sub> = 0.833 Ω, C <sub>L</sub> = 20 μF, I <sub>L</sub> = –1.5 A		1, 2, 3	1.2	1.3	V
V <sub>NO</sub>	Output noise voltage	V <sub>I</sub> = 6.25 V, I <sub>L</sub> = –100 mA	25°C	7		120	μV <sub>RMS</sub>
ΔV <sub>O</sub> / ΔV <sub>I</sub>	Line transient response	V <sub>I</sub> = 6.25 V, ΔV <sub>I</sub> = 3 V, I <sub>L</sub> = –10 mA	25°C	7		18	mV
ΔV <sub>O</sub> / ΔI <sub>L</sub>	Load transient response	V <sub>I</sub> = 6.25 V, ΔI <sub>L</sub> = –400 mA, I <sub>L</sub> = –100 mA	25°C	7		120	mV
ΔV <sub>I</sub> / ΔV <sub>O</sub>	Ripple rejection	V <sub>I</sub> = 6.25 V, I <sub>L</sub> = –500 mA, E <sub>I</sub> = 1 V <sub>RMS</sub> at f = 2400 Hz	25°C	4	65		dB
			25°C Post-radiation	4	60		

(1) Pre- and post-irradiation limits are identical for the parameters above unless specified by the test conditions.

(2) For subgroup definitions, see [Quality Conformance Inspection](#) table.

## 7.8 Parameter Drift: 1.5–A I<sub>OUT</sub> Devices (LM117K)

The following deltas are for Group C (Life Test). Data is measured at 25°C.

PARAMETER		TEST CONDITIONS		SUBGROUP <sup>(1)</sup>	MIN	MAX	UNIT
V <sub>O</sub>	Output voltage	V <sub>I</sub> = 4.25 V, I <sub>L</sub> = –5 mA		1	–0.01	0.01	V
		V <sub>I</sub> = 4.25 V, I <sub>L</sub> = –1.5 A		1	–0.01	0.01	
		V <sub>I</sub> = 41.25 V, I <sub>L</sub> = –5 mA		1	–0.01	0.01	
		V <sub>I</sub> = 41.25 V, I <sub>L</sub> = –200 mA		1	–0.01	0.01	
V <sub>RLine</sub>	Line regulation	4.25 V ≤ V <sub>I</sub> ≤ 41.25 V, I <sub>L</sub> = –5 mA		1	–4.0	4.0	mV
I <sub>Adj</sub>	Adjust pin current	V <sub>I</sub> = 4.25 V, I <sub>L</sub> = –5 mA		1	–10	10	μA
		V <sub>I</sub> = 41.25 V, I <sub>L</sub> = –5 mA		1	–10	10	
V <sub>O</sub> (Recov)	Output voltage recovery	V <sub>I</sub> = 4.25 V, R <sub>L</sub> = 0.833 Ω, C <sub>L</sub> = 20 μF		1	–0.01	0.01	V
		V <sub>I</sub> = 40 V, R <sub>L</sub> = 250 Ω		1	–0.01	0.01	

(1) For subgroup definitions, see [Quality Conformance Inspection](#) table.

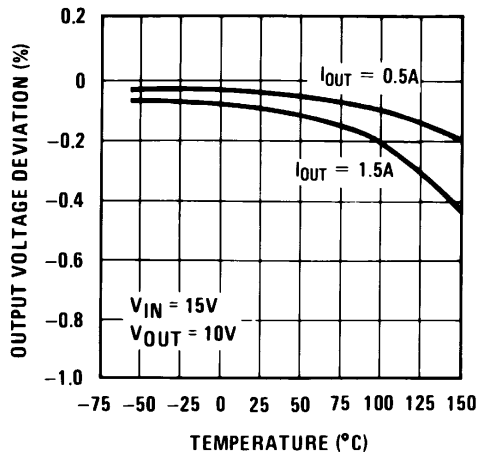
## 7.9 Quality Conformance Inspection

MIL-STD-883, Method 5005 - Group A

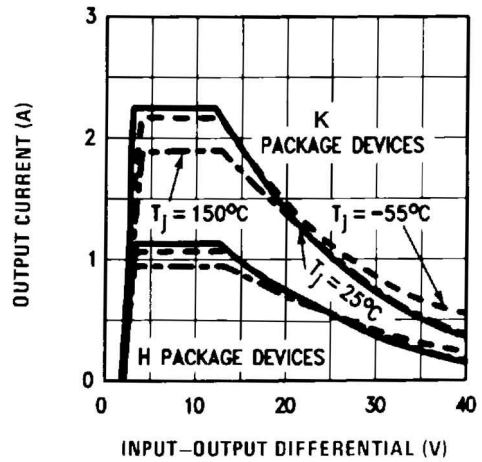
SUBGROUP	DESCRIPTION	TEMP (°C)
1	Static tests at	+25
2	Static tests at	+125
3	Static tests at	-55
4	Dynamic tests at	+25
5	Dynamic tests at	+125
6	Dynamic tests at	-55
7	Functional tests at	+25
8A	Functional tests at	+125
8B	Functional tests at	-55
9	Switching tests at	+25
10	Switching tests at	+125
11	Switching tests at	-55

## 7.10 Typical Characteristics

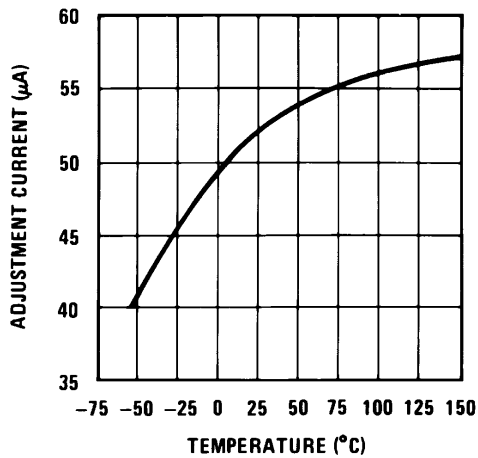
Output capacitor = 0  $\mu$ F unless otherwise noted



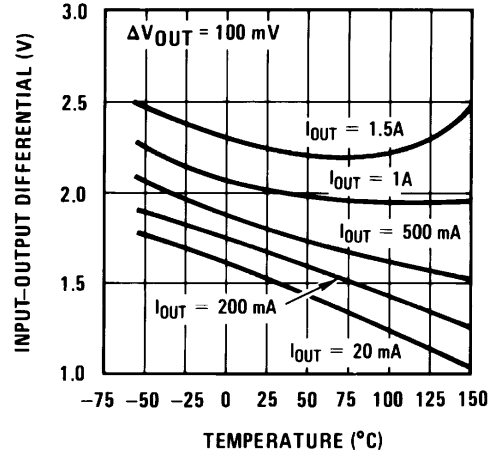
7-1. Load Regulation



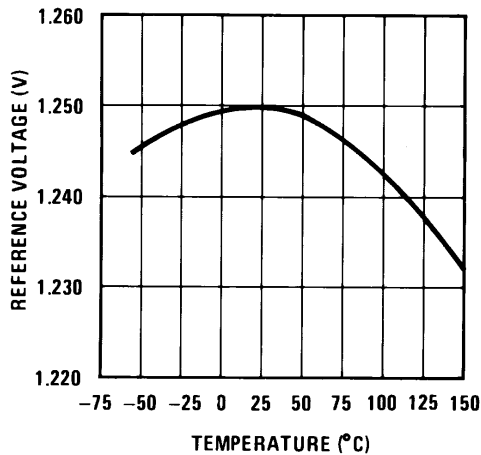
7-2. Current Limit



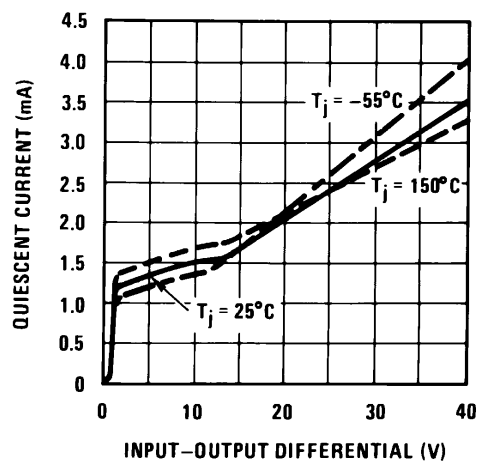
7-3. Adjustment Current



7-4. Dropout Voltage



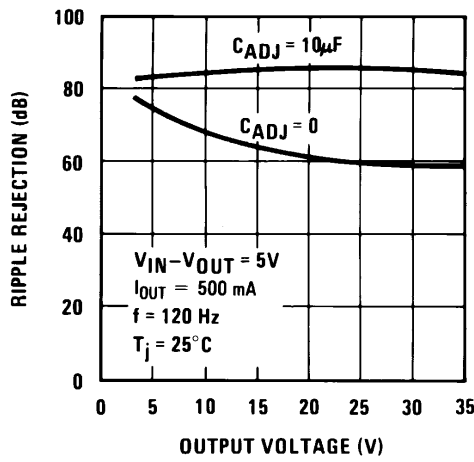
7-5. Temperature Stability



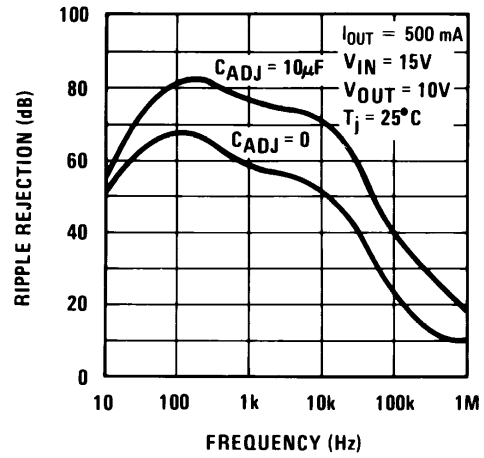
7-6. Minimum Operating Current

## 7.10 Typical Characteristics (continued)

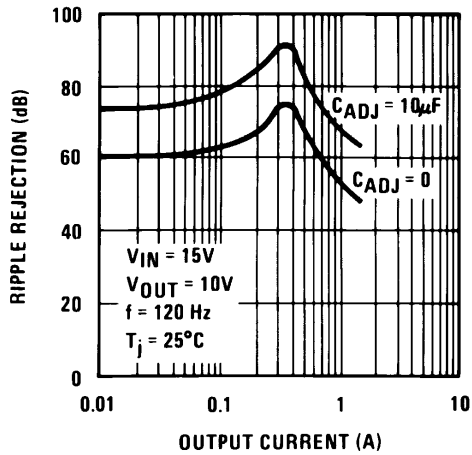
Output capacitor = 0  $\mu$ F unless otherwise noted



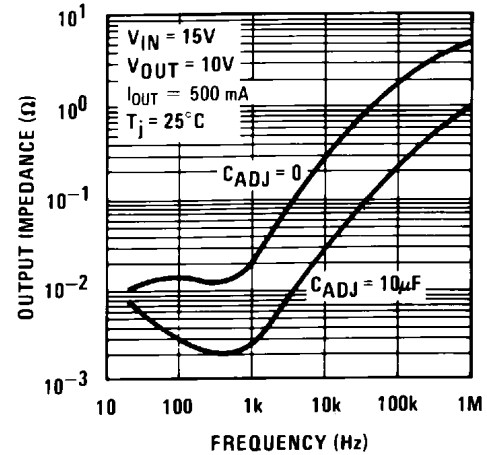
7-7. Ripple Rejection



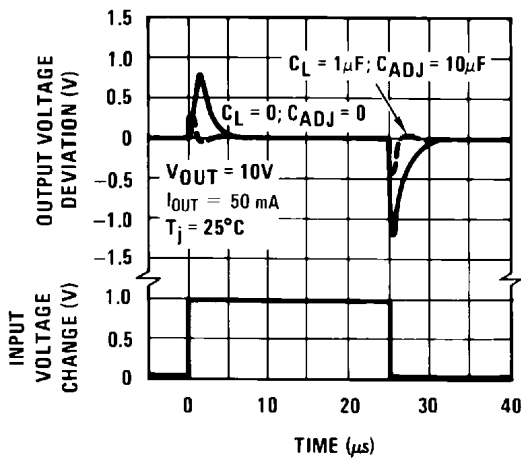
7-8. Ripple Rejection



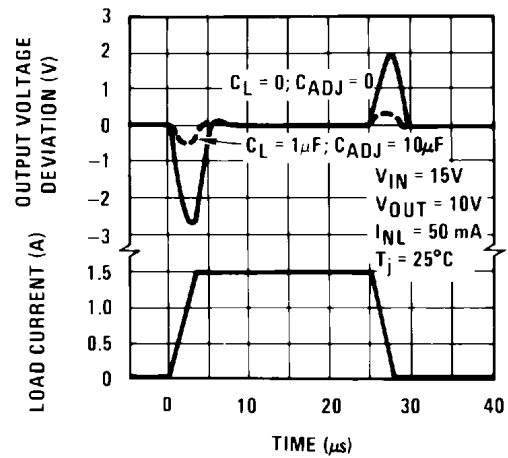
7-9. Ripple Rejection



7-10. Output Impedance



7-11. Line Transient Response



7-12. Load Transient Response

## 8 Detailed Description

### 8.1 Overview

The LM117QML-SP 3-terminal positive voltage linear regulator is capable of supplying either 0.5 A or 1.5 A over a 1.2-V to 37-V output range. It is simple to use and requires only two external resistors to set the output voltage. Further, both line and load regulation are better than standard fixed regulators.

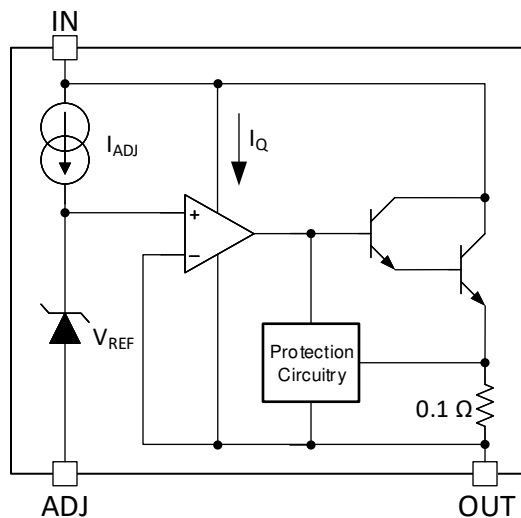
The regulator is "floating" and sees only the input-to-output differential voltage, thus enabling supplies of several hundred volts to be regulated as long as the maximum input-to-output differential is not exceeded (i.e. don't short circuit the output).

The LM117QML-SP offers full overload protection such as current limit, thermal overload protection, and safe area protection. All overload protection circuitry remains fully functional even if the adjustment terminal is disconnected.

Typically, no capacitors are needed unless the device is situated more than 6 in from the input filter capacitors in which case an input bypass is needed. An optional output capacitor can be added to improve transient response. The adjustment terminal can be bypassed to achieve very high ripple rejection ratios which are difficult to achieve with standard 3-terminal regulators.

This device makes an especially simple adjustable switching regulator, a programmable output regulator, or by connecting a fixed resistor between the adjustment pin and output it can be used as a precision current regulator. Supplies with electronic shutdown can be achieved by clamping the adjustment terminal to ground which programs the output to 1.2 V where most loads draw little current.

### 8.2 Functional Block Diagram



8-1. Functional Block Diagram

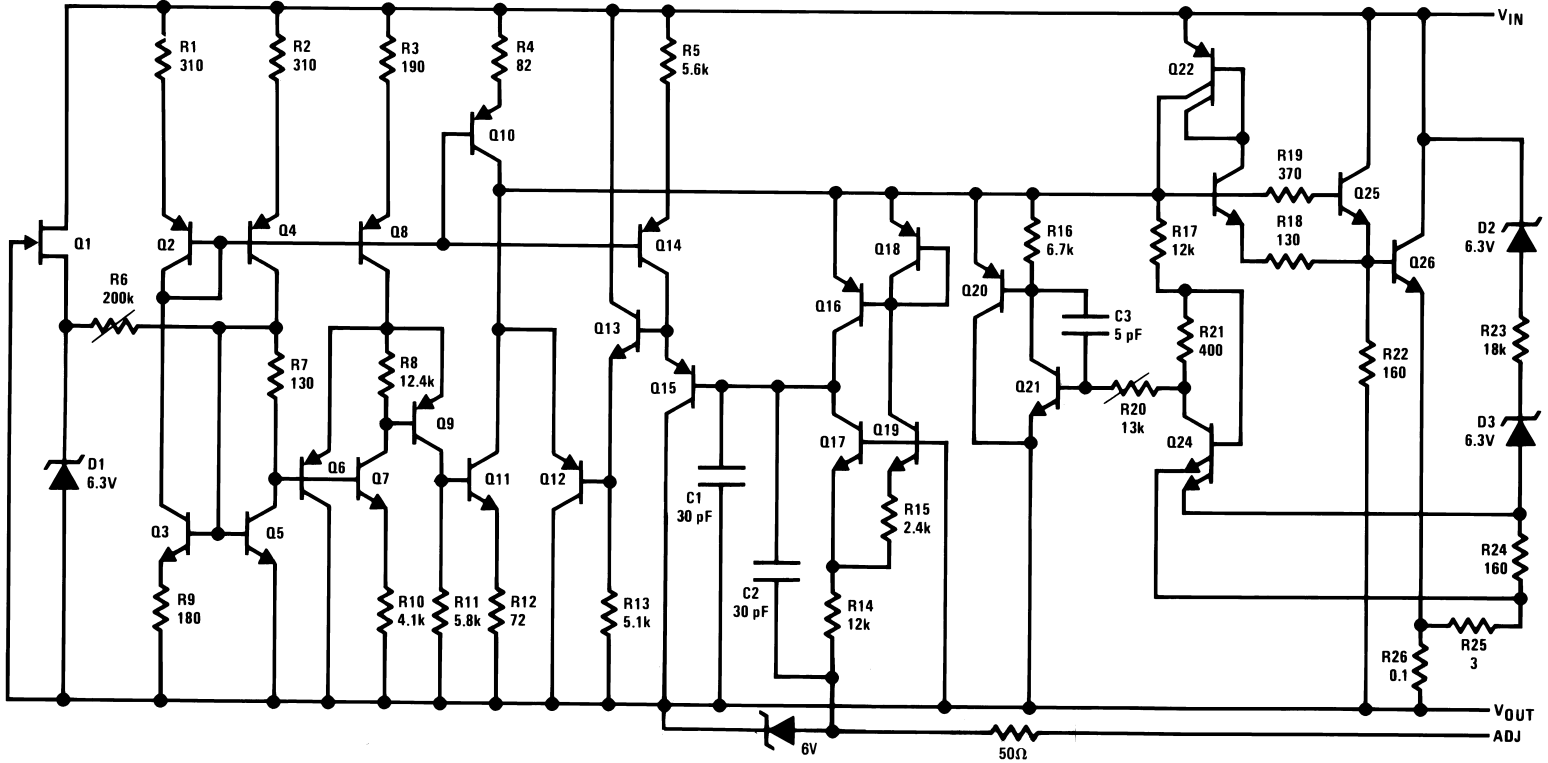
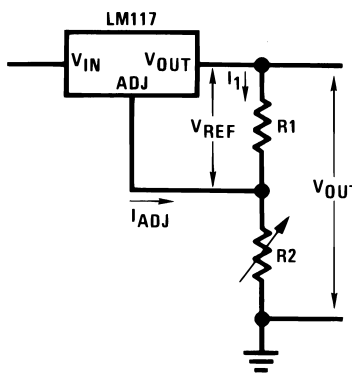


图 8-2. Simplified Device Schematic

### 8.3 Setting Output Voltage

In operation, the LM117 develops a nominal 1.25-V reference voltage,  $V_{REF}$ , between the output and adjustment terminal. The reference voltage is expressed across R1 and, since the voltage is constant, a constant current  $I_1$  then flows through R2, giving an output voltage found by using 式 1.

$$V_{OUT} = V_{REF} \left( 1 + \frac{R2}{R1} \right) + I_{ADJ}R2 \tag{1}$$



Since the 100- $\mu$ A current from the adjustment terminal represents an error term, the LM117 was designed to minimize  $I_{ADJ}$  and make it relatively constant with line and load changes. To do this, all quiescent operating current is returned to the output establishing a minimum load current requirement. If there is insufficient load on the output, the output will rise.

To mitigate the requirement for an added load to sink the required output current, the resistor divider may be selected so that it alone can sink the largest specified output load current of 5 mA. This has the additional benefit of minimizing the  $I_{ADJ}$  error term (which varies over temperature).

## 8.4 External Capacitors

An input bypass capacitor is recommended. A 0.1- $\mu\text{F}$  ceramic disc or 1- $\mu\text{F}$  solid tantalum on the input is suitable input bypassing for almost all applications. The device is more sensitive to the absence of input bypassing when adjustment or output capacitors are used but the above values will minimize the possibility of problems.

The adjustment terminal can be bypassed to ground on the LM117 to improve ripple rejection. This bypass capacitor prevents ripple from being amplified as the output voltage is increased. With a 10- $\mu\text{F}$  bypass capacitor 80-dB ripple rejection is obtainable at any output level. Increases over 10  $\mu\text{F}$  do not appreciably improve the ripple rejection at frequencies above 120 Hz. If the bypass capacitor is used, it is sometimes necessary to include protection diodes to prevent the capacitor from discharging through internal low current paths and damaging the device (see [セクション 8.6](#)).

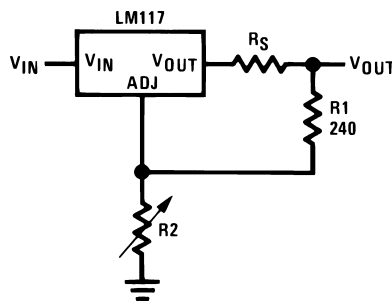
In general, the best type of capacitors to use are solid tantalum. Solid tantalum capacitors have low impedance even at high frequencies. Depending upon capacitor construction, it takes about 25  $\mu\text{F}$  in aluminum electrolytic to equal 1- $\mu\text{F}$  solid tantalum at high frequencies. Ceramic capacitors are also good at high frequencies; but some types have a large decrease in capacitance at frequencies around 0.5 MHz. For this reason, 0.01- $\mu\text{F}$  disc may seem to work better than a 0.1- $\mu\text{F}$  disc as a bypass.

Although the LM117 is stable with no output capacitors, like any feedback circuit, certain values of external capacitance can cause excessive ringing. This occurs with values between 500 pF and 5000 pF. A 1- $\mu\text{F}$  solid tantalum (or 25- $\mu\text{F}$  aluminum electrolytic) on the output swamps this effect and insures stability. Any increase of the load capacitance larger than 10  $\mu\text{F}$  will merely improve the loop stability and output impedance.

## 8.5 Load Regulation

The LM117 is capable of providing extremely good load regulation but a few precautions are needed to obtain maximum performance. The current set resistor connected between the adjustment terminal and the output terminal (usually 240  $\Omega$ ) should be tied directly to the output (case) of the regulator rather than near the load. This eliminates line drops from appearing effectively in series with the reference and degrading regulation. For example, a 15-V regulator with 0.05- $\Omega$  resistance between the regulator and load will have a load regulation due to line resistance of  $0.05 \Omega \times I_L$ . If the set resistor is connected near the load the effective line resistance will be  $0.05 \Omega (1 + R_2 / R_1)$  or in this case, 11.5 times worse.

☒ [8-3](#) shows the effect of resistance between the regulator and 240- $\Omega$  set resistor.



☒ **8-3. Regulator With Line Resistance in Output Lead**


With the TO-3 package, it is easy to minimize the resistance from the case to the set resistor, by using two separate leads to the case. However, with the TO-39 package, care should be taken to minimize the wire length of the output lead. The ground of R<sub>2</sub> can be returned near the ground of the load to provide remote ground sensing and improve load regulation.

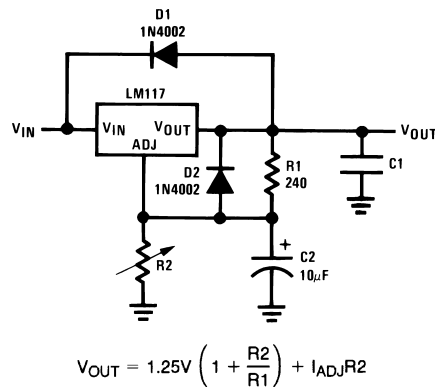
## 8.6 Protection Diodes

When external capacitors are used with an IC regulator, it is sometimes necessary to add protection diodes to prevent the capacitors from discharging through low current points into the regulator. Most 10- $\mu\text{F}$  capacitors

have low enough internal series resistance to deliver 20-A spikes when shorted. Although the surge is short, there is enough energy to damage parts of the IC.

When an output capacitor is connected to a regulator and the input is shorted, the output capacitor will discharge into the output of the regulator. The discharge current depends on the value of the capacitor, the output voltage of the regulator, and the rate of decrease of  $V_{IN}$ . In the LM117, this discharge path is through a large junction that is able to sustain 15-A surge. This is not true of all types of positive regulators. For output capacitors of 25  $\mu\text{F}$  or less, there is generally no need to use diodes.

The bypass capacitor on the adjustment terminal can discharge through a low current junction. Discharge occurs when *either* the input or output is shorted. Internal to the LM117 is a 50- $\Omega$  resistor which limits the peak discharge current. No protection is needed for output voltages of 25 V or less and 10- $\mu\text{F}$  capacitance.  8-4 shows an LM117 with protection diodes included for use with outputs greater than 25 V and high values of output capacitance.



D1 protects against C1 (such as due to a  $V_{IN}$  short)

D2 protects against C2 (such as due to a  $V_{OUT}$  short)

#### 8-4. Regulator With Protection Diodes

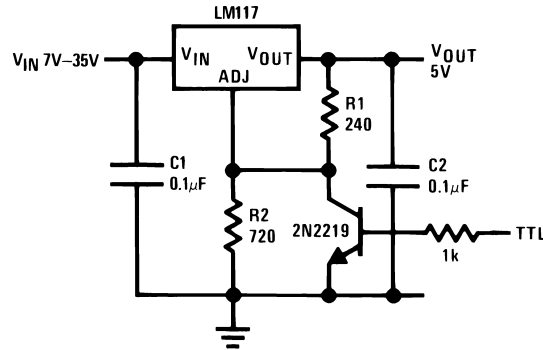


## 9 Application and Implementation

### 注

以下のアプリケーション情報は、TI の製品仕様に含まれるものではなく、TI ではその正確性または完全性を保証いたしません。個々の目的に対する製品の適合性については、お客様の責任で判断していただくことになります。お客様は自身の設計実装を検証しテストすることで、システムの機能を確認する必要があります。

### 9.1 Typical Applications



\*Min. output  $\approx 1.2$  V

図 9-1. 5-V Logic Regulator With Electronic Shutdown\*

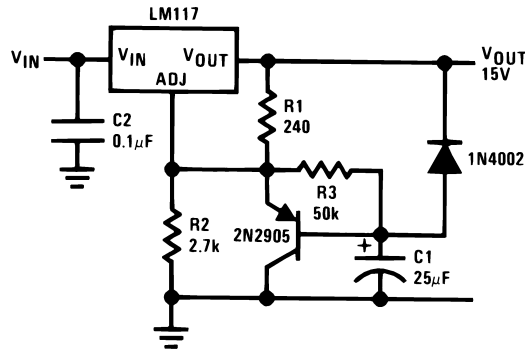
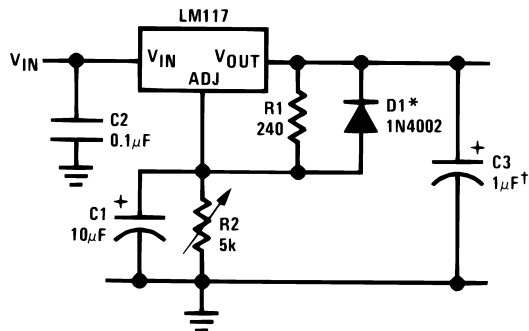


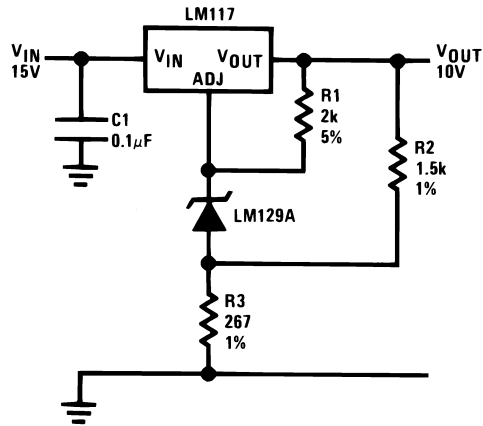
図 9-2. Slow Turn-On 15-V Regulator



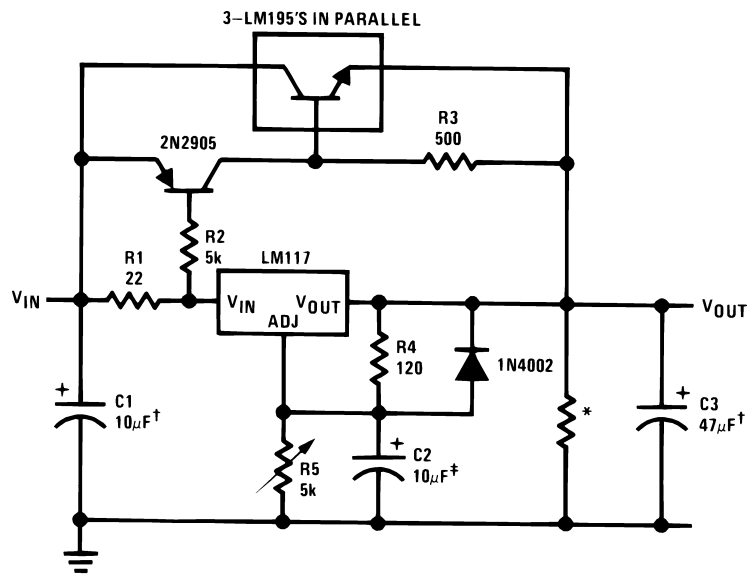
†Solid tantalum

\*Discharges C1 if output is shorted to ground

図 9-3. Adjustable Regulator With Improved Ripple Rejection



9-4. High Stability 10-V Regulator

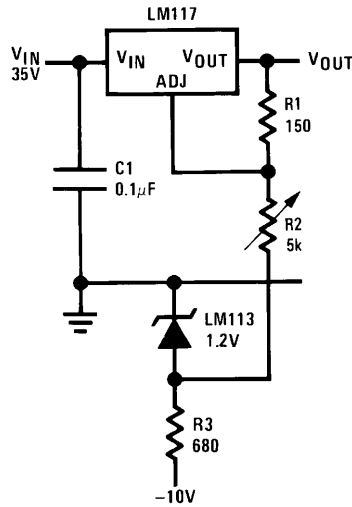


‡Optional, improves ripple rejection

†Solid tantalum

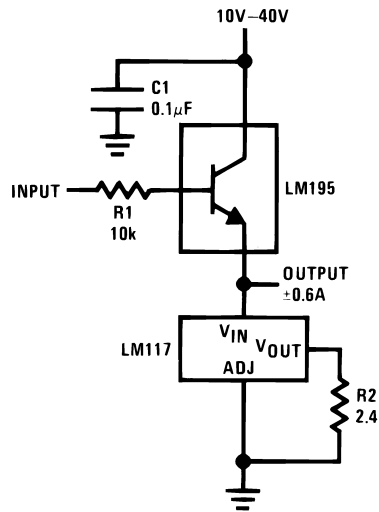
\*Minimum load current = 30 mA

9-5. High Current Adjustable Regulator

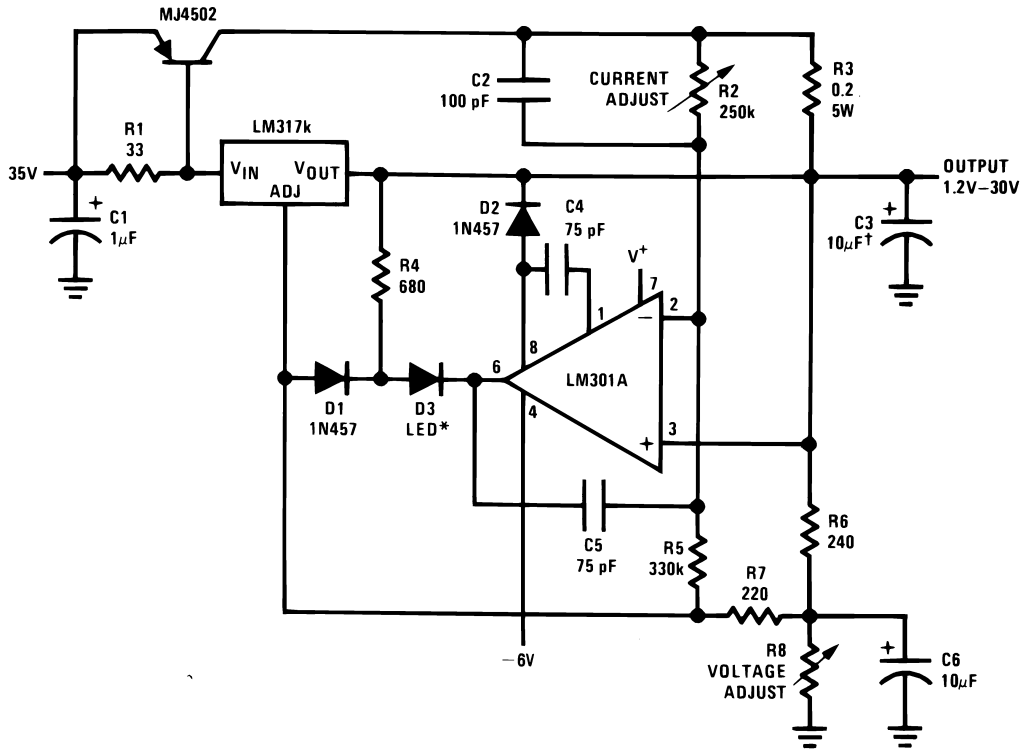


Full output current not available at high input-output voltages

☒ 9-6. 0-V to 30-V Regulator



☒ 9-7. Power Follower



†Solid tantalum

\*Lights in constant current mode

图 9-8. 5-A Constant Voltage/Constant Current Regulator

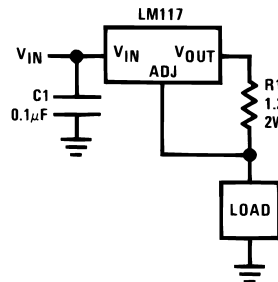
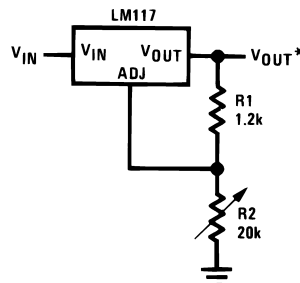
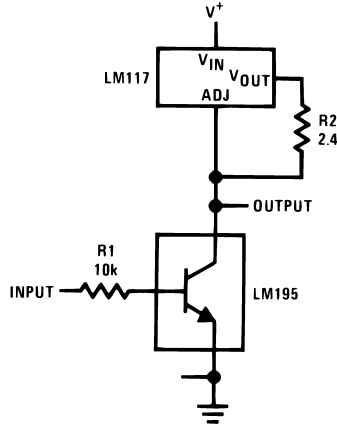


图 9-9. 1-A Current Regulator

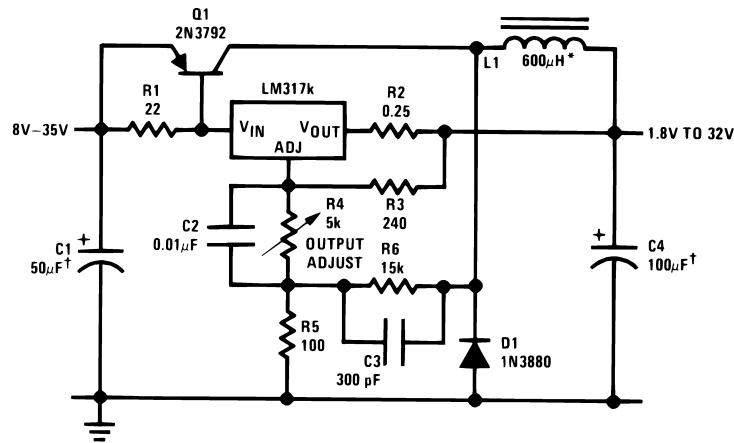


\*Specified load current requirement  $\approx 5$  mA

图 9-10. 1.2-V to 20-V Regulator With Minimum Program Current



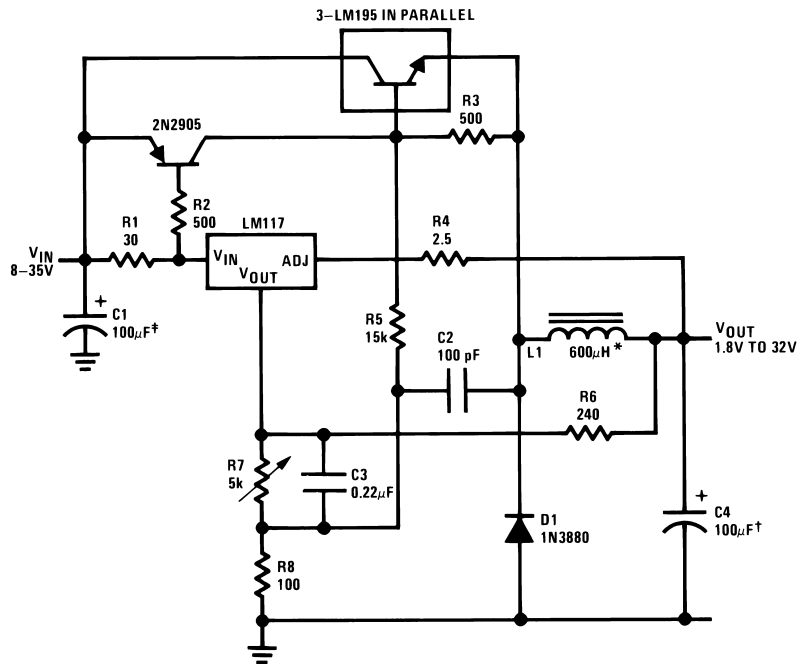
**9-11. High Gain Amplifier**



†Solid tantalum

\*Core—Arnold A-254168-2 60 turns

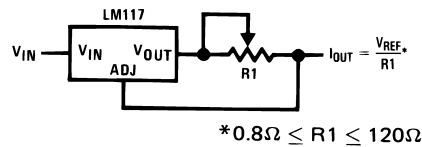
**9-12. Low Cost 3-A Switching Regulator**



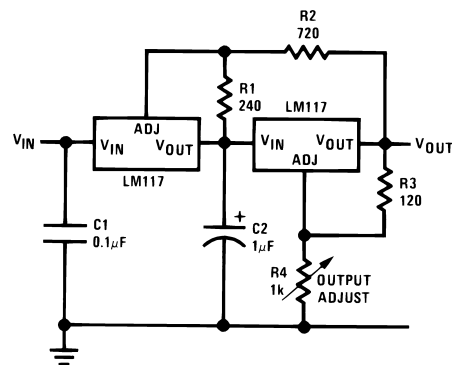
†Solid tantalum

\*Core—Arnold A-254168-2 60 turns

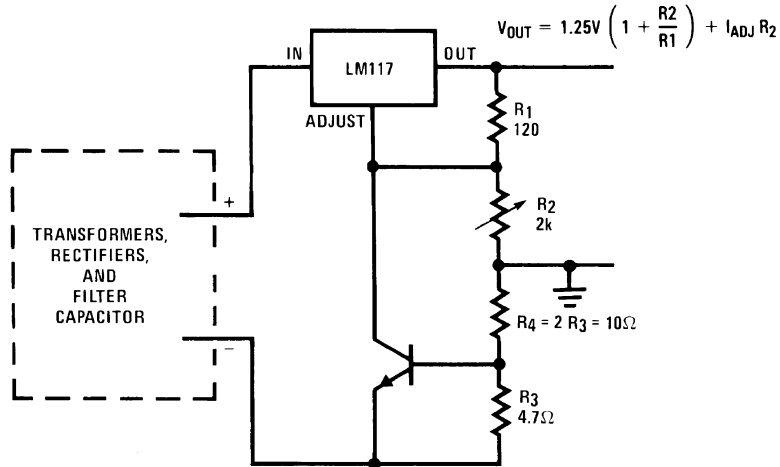
☒ 9-13. 4-A Switching Regulator With Overload Protection



☒ 9-14. Precision Current Limiter



☒ 9-15. Tracking Preregulator

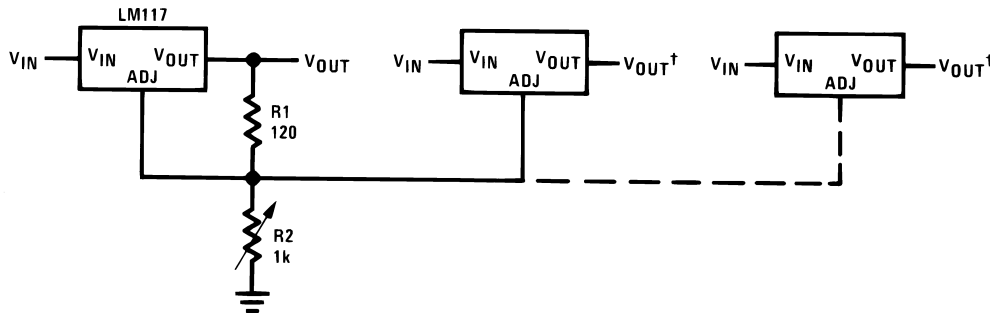


– Short circuit current is approximately  $\frac{600 \text{ mV}}{R_3}$ , or 120 mA

(Compared to LM117's higher current limit)

—At 50 mA output only ¼ volt of drop occurs in R<sub>3</sub> and R<sub>4</sub>

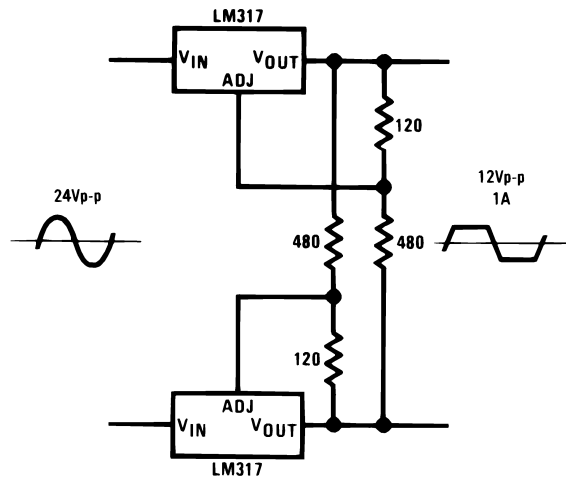
9-16. Current Limited Voltage Regulator



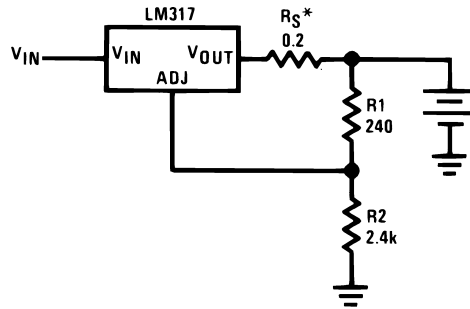
\*All outputs within ±100 mV

†Minimum load = 10 mA

9-17. Adjusting Multiple On-Card Regulators With Single Control\*



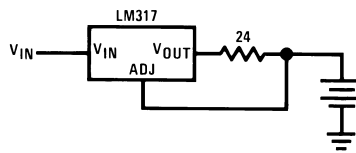
9-18. AC Voltage Regulator



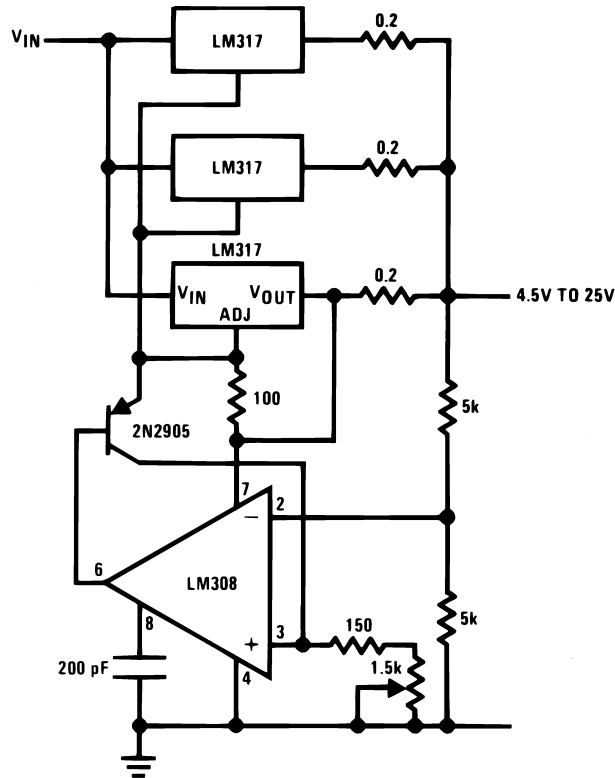
\* $R_S$ —sets output impedance of charger:  $Z_{OUT} = R_S \left( 1 + \frac{R_2}{R_1} \right)$

Use of  $R_S$  allows low charging rates with fully charged battery.

☒ 9-19. 12-V Battery Charger

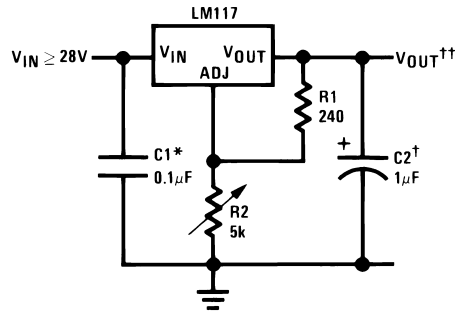


☒ 9-20. 50-mA Constant Current Battery Charger



☒ 9-21. Adjustable 4-A Regulator





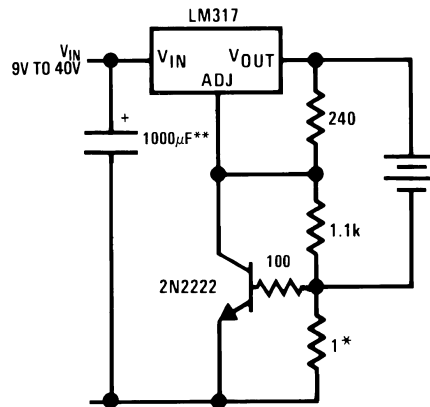
Full output current not available at high input-output voltages

\*Needed if device is more than 6 in from filter capacitors.

†Optional, improves transient response. Output capacitors in the range of 1 μF to 1000 μF of aluminum or tantalum electrolytic are commonly used to provide improved output impedance and rejection of transients.

$$\dagger\dagger V_{OUT} = 1.25V \left( 1 + \frac{R_2}{R_1} \right) + I_{ADJ}(R_2)$$

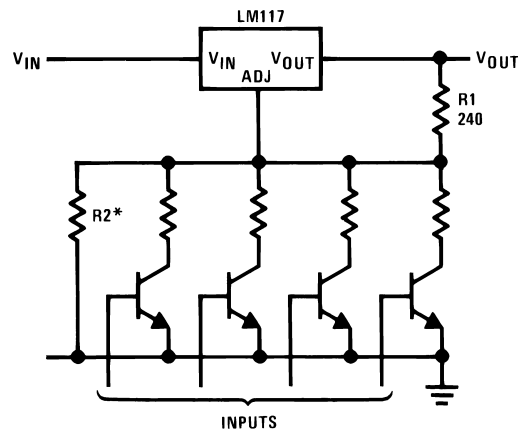
9-22. 1.2-V to 25-V Adjustable Regulator



\*Sets peak current (0.6 A for 1 Ω)

\*\*The 1000 μF is recommended to filter out input transients

9-23. Current Limited 6-V Charger



\*Sets maximum  $V_{OUT}$

9-24. Digitally Selected Outputs

## 10 Power Supply Recommendations

The input supply to the LM117QML-SP must be kept at a voltage level such that its maximum input to output differential voltage is not exceeded. The minimum dropout voltage must also be met with extra headroom when possible to keep the LM117QML-SP in regulation. An input capacitor is recommended, especially when the input pin is located more than 6 in away from the power supply source. For more information regarding capacitor selection, refer to [External Capacitors](#).

## 11 Layout

### 11.1 Layout Guidelines

Ensure wide enough traces for those carrying the load current in order to reduce the amount of parasitic trace inductance. Keep the feedback loop from VOUT to ADJ as short as possible. To improve PSRR, a bypass capacitor can be placed at the ADJ pin and must be located as close as possible to the IC. In cases when VIN shorts to ground, an external diode must be placed from VOUT to VIN to divert the surge current from the output capacitor and protect the IC. Similarly, in cases when a large bypass capacitor is placed at the ADJ pin and VOUT shorts to ground, an external diode must be placed from ADJ to VOUT to provide a path for the bypass capacitor to discharge. These diodes must be placed close to the corresponding LM117QML-SP pins to increase their effectiveness.

## 12 Device and Documentation Support

### 12.1 Device Support

#### 12.1.1 サード・パーティ製品に関する免責事項

サード・パーティ製品またはサービスに関するテキサス・インスツルメンツの出版物は、単独またはテキサス・インスツルメンツの製品、サービスと一緒に提供される場合に関係なく、サード・パーティ製品またはサービスの適合性に関する是認、サード・パーティ製品またはサービスの是認の表明を意味するものではありません。

### 12.2 Documentation Support

#### 12.2.1 Related Documentation

For related documentation see the following:

1. [LM117xRLQMLV ELDRS Report](#)
2. [LM117QML-SP SMD 5962R9951707VZA](#)
3. [High Reliability Part Numbering System](#)
4. [Applications for an Adjustable IC Power Regulator](#)
5. [Improving Power Supply Reliability with IC Power Regulators](#)
6. [A New Production Technique for Trimming Voltage Regulators](#)
7. [LDO basics: capacitor vs. capacitance](#)
8. [LDO Basics: Preventing reverse current](#)

### 12.3 ドキュメントの更新通知を受け取る方法

ドキュメントの更新についての通知を受け取るには、[ti.com](#) のデバイス製品フォルダを開いてください。「更新の通知を受け取る」をクリックして登録すると、変更されたすべての製品情報に関するダイジェストを毎週受け取れます。変更の詳細については、修正されたドキュメントに含まれている改訂履歴をご覧ください。

### 12.4 サポート・リソース

[TI E2E™ サポート・フォーラム](#)は、エンジニアが検証済みの回答と設計に関するヒントをエキスパートから迅速かつ直接得ることができる場所です。既存の回答を検索したり、独自の質問をしたりすることで、設計に必要な支援を迅速に得ることができます。

リンクされているコンテンツは、該当する貢献者により、現状のまま提供されるものです。これらは TI の仕様を構成するものではなく、必ずしも TI の見解を反映したものではありません。TI の[使用条件](#)を参照してください。

### 12.5 Trademarks

TI E2E™ is a trademark of Texas Instruments.

すべての商標は、それぞれの所有者に帰属します。

### 12.6 静電気放電に関する注意事項



この IC は、ESD によって破損する可能性があります。テキサス・インスツルメンツは、IC を取り扱う際には常に適切な注意を払うことを推奨します。正しい取り扱いおよび設置手順に従わないと、デバイスを破損するおそれがあります。

ESD による破損は、わずかな性能低下からデバイスの完全な故障まで多岐にわたります。精密な IC の場合、パラメータがわずかに変化するだけで公表されている仕様から外れる可能性があるため、破損が発生しやすくなっています。

### 12.7 用語集

[テキサス・インスツルメンツ用語集](#)

この用語集には、用語や略語の一覧および定義が記載されています。

**PACKAGING INFORMATION**

Orderable Device	Status (1)	Package Type	Package Drawing	Pins	Package Qty	Eco Plan (2)	Lead finish/ Ball material (6)	MSL Peak Temp (3)	Op Temp (°C)	Device Marking (4/5)	Samples
5962R9951703V9A	ACTIVE	DIESALE	Y	0	42	RoHS & Green	Call TI	Level-1-NA-UNLIM	-55 to 125		<a href="#">Samples</a>
5962R9951703VXA	ACTIVE	TO	NDT	3	20	Non-RoHS & Non-Green	Call TI	Call TI	-55 to 125	LM117HRQMLV 5962R9951703VXA Q ACO 5962R9951703VXA Q >T	<a href="#">Samples</a>
5962R9951704VYA	ACTIVE	TO	K	2	50	Non-RoHS & Non-Green	Call TI	Call TI	-55 to 125	LM117KRQMLV 5962R99517 04VYA Q ACO 04VYA Q >T	<a href="#">Samples</a>
5962R9951705V9A	ACTIVE	DIESALE	Y	0	42	RoHS & Green	Call TI	Level-1-NA-UNLIM	-55 to 125		<a href="#">Samples</a>
5962R9951705VXA	ACTIVE	TO	NDT	3	20	Non-RoHS & Non-Green	Call TI	Call TI	-55 to 125	LM117HRLQMLV 5962R9951705VXA Q ACO 5962R9951705VXA Q >T	<a href="#">Samples</a>
5962R9951706VZA	ACTIVE	CFP	NAC	16	88	Non-RoHS & Green	Call TI	Level-1-NA-UNLIM	-55 to 125	LM117GWR QMLV Q 5962R99517 06VZA ACO 06VZA >T	<a href="#">Samples</a>
5962R9951707VZA	ACTIVE	CFP	NAC	16	88	Non-RoHS & Green	Call TI	Level-1-NA-UNLIM	-55 to 125	LM117GWRL QMLV Q 5962R99517 07VZA ACO 07VZA >T	<a href="#">Samples</a>
LM117GWRLQMLV	ACTIVE	CFP	NAC	16	88	Non-RoHS & Green	Call TI	Level-1-NA-UNLIM	-55 to 125	LM117GWRL QMLV Q 5962R99517 07VZA ACO 07VZA >T	<a href="#">Samples</a>
LM117GWRQMLV	ACTIVE	CFP	NAC	16	88	Non-RoHS & Green	Call TI	Level-1-NA-UNLIM	-55 to 125	LM117GWR QMLV Q 5962R99517 06VZA ACO	<a href="#">Samples</a>

Orderable Device	Status (1)	Package Type	Package Drawing	Pins	Package Qty	Eco Plan (2)	Lead finish/ Ball material (6)	MSL Peak Temp (3)	Op Temp (°C)	Device Marking (4/5)	Samples
										06VZA >T	
LM117H MDE	ACTIVE	DIESALE	Y	0	42	RoHS & Green	Call TI	Level-1-NA-UNLIM	-55 to 125		<a href="#">Samples</a>
LM117H MDR	ACTIVE	DIESALE	Y	0	42	RoHS & Green	Call TI	Level-1-NA-UNLIM	-55 to 125		<a href="#">Samples</a>
LM117HRLQMLV	ACTIVE	TO	NDT	3	20	Non-RoHS & Green	Call TI	Level-1-NA-UNLIM	-55 to 125	LM117HRLQMLV 5962R9951705VXA Q ACO 5962R9951705VXA Q >T	<a href="#">Samples</a>
LM117HRQMLV	ACTIVE	TO	NDT	3	20	Non-RoHS & Green	Call TI	Level-1-NA-UNLIM	-55 to 125	LM117HRQMLV 5962R9951703VXA Q ACO 5962R9951703VXA Q >T	<a href="#">Samples</a>
LM117K/EM	ACTIVE	TO	K	2	50	Non-RoHS & Non-Green	Call TI	Call TI	25 to 25	LM117K/EM EVAL ONLY T	<a href="#">Samples</a>
LM117KRQMLV	ACTIVE	TO	K	2	50	Non-RoHS & Green	Call TI	Level-1-NA-UNLIM	-55 to 125	LM117KRQMLV 5962R99517 04VYA Q ACO 04VYA Q >T	<a href="#">Samples</a>
LM117NDT/EM	ACTIVE	TO	NDT	3	20	Non-RoHS & Non-Green	Call TI	Call TI	25 to 25	LM117NDT/EM EVAL ONLY	<a href="#">Samples</a>

(1) The marketing status values are defined as follows:

**ACTIVE:** Product device recommended for new designs.

**LIFEBUY:** TI has announced that the device will be discontinued, and a lifetime-buy period is in effect.

**NRND:** Not recommended for new designs. Device is in production to support existing customers, but TI does not recommend using this part in a new design.

**PREVIEW:** Device has been announced but is not in production. Samples may or may not be available.

**OBSELETE:** TI has discontinued the production of the device.

(2) **RoHS:** TI defines "RoHS" to mean semiconductor products that are compliant with the current EU RoHS requirements for all 10 RoHS substances, including the requirement that RoHS substance do not exceed 0.1% by weight in homogeneous materials. Where designed to be soldered at high temperatures, "RoHS" products are suitable for use in specified lead-free processes. TI may reference these types of products as "Pb-Free".

**RoHS Exempt:** TI defines "RoHS Exempt" to mean products that contain lead but are compliant with EU RoHS pursuant to a specific EU RoHS exemption.

**Green:** TI defines "Green" to mean the content of Chlorine (Cl) and Bromine (Br) based flame retardants meet JS709B low halogen requirements of <=1000ppm threshold. Antimony trioxide based flame retardants must also meet the <=1000ppm threshold requirement.

- (3) MSL, Peak Temp. - The Moisture Sensitivity Level rating according to the JEDEC industry standard classifications, and peak solder temperature.
- (4) There may be additional marking, which relates to the logo, the lot trace code information, or the environmental category on the device.
- (5) Multiple Device Markings will be inside parentheses. Only one Device Marking contained in parentheses and separated by a "~" will appear on a device. If a line is indented then it is a continuation of the previous line and the two combined represent the entire Device Marking for that device.
- (6) Lead finish/Ball material - Orderable Devices may have multiple material finish options. Finish options are separated by a vertical ruled line. Lead finish/Ball material values may wrap to two lines if the finish value exceeds the maximum column width.

**Important Information and Disclaimer:**The information provided on this page represents TI's knowledge and belief as of the date that it is provided. TI bases its knowledge and belief on information provided by third parties, and makes no representation or warranty as to the accuracy of such information. Efforts are underway to better integrate information from third parties. TI has taken and continues to take reasonable steps to provide representative and accurate information but may not have conducted destructive testing or chemical analysis on incoming materials and chemicals. TI and TI suppliers consider certain information to be proprietary, and thus CAS numbers and other limited information may not be available for release.

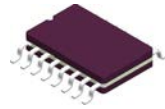
In no event shall TI's liability arising out of such information exceed the total purchase price of the TI part(s) at issue in this document sold by TI to Customer on an annual basis.

**OTHER QUALIFIED VERSIONS OF LM117QML-SP :**

- Military : [LM117QML](#)

NOTE: Qualified Version Definitions:

- Military - QML certified for Military and Defense Applications

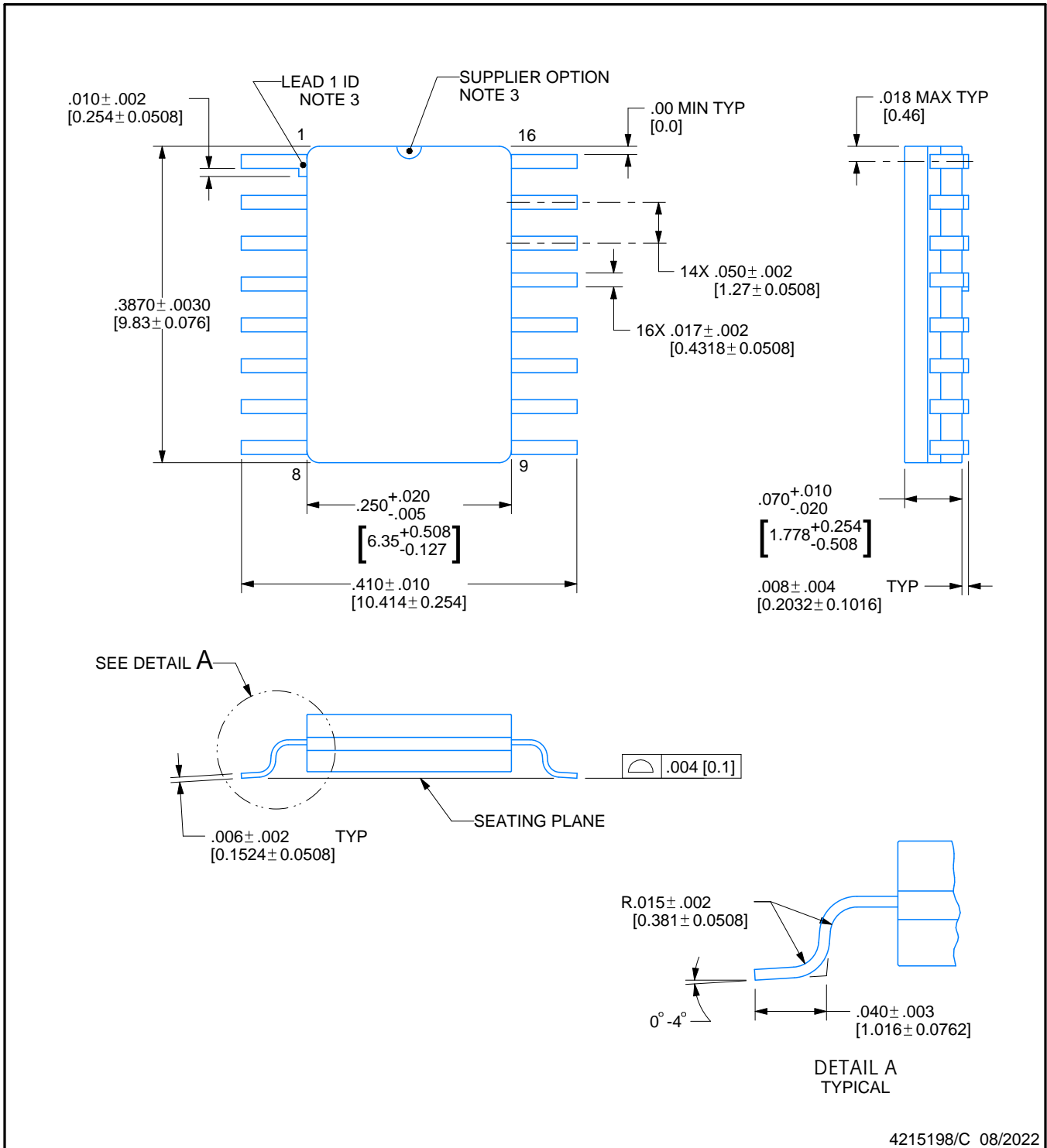


# PACKAGE OUTLINE

## NAC0016A

CFP - 2.33mm max height

CERAMIC FLATPACK



4215198/C 08/2022

### NOTES:

- Controlling dimension is Inch. Values in [ ] are millimeters. Dimensions in ( ) for reference only.
- For solder thickness and composition, see the "Lead Finish Composition/Thickness" link in the packaging section of the Texas Instruments website
- Lead 1 identification shall be:
  - A notch or other mark within this area
  - A tab on lead 1, either side
- No JEDEC registration as of December 2021

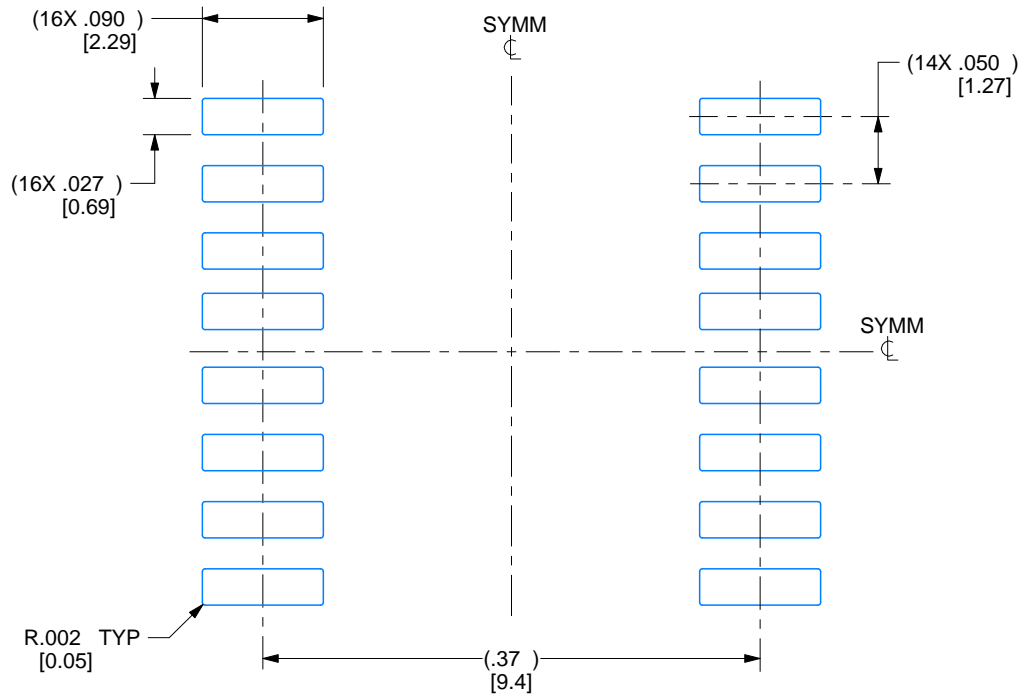


# EXAMPLE BOARD LAYOUT

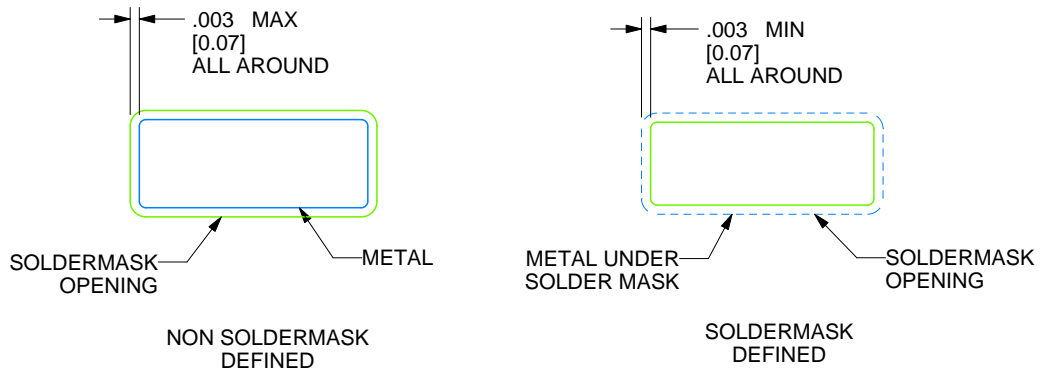
NAC0016A

CFP - 2.33mm max height

CERAMIC FLATPACK



RECOMMENDED LAND PATTERN

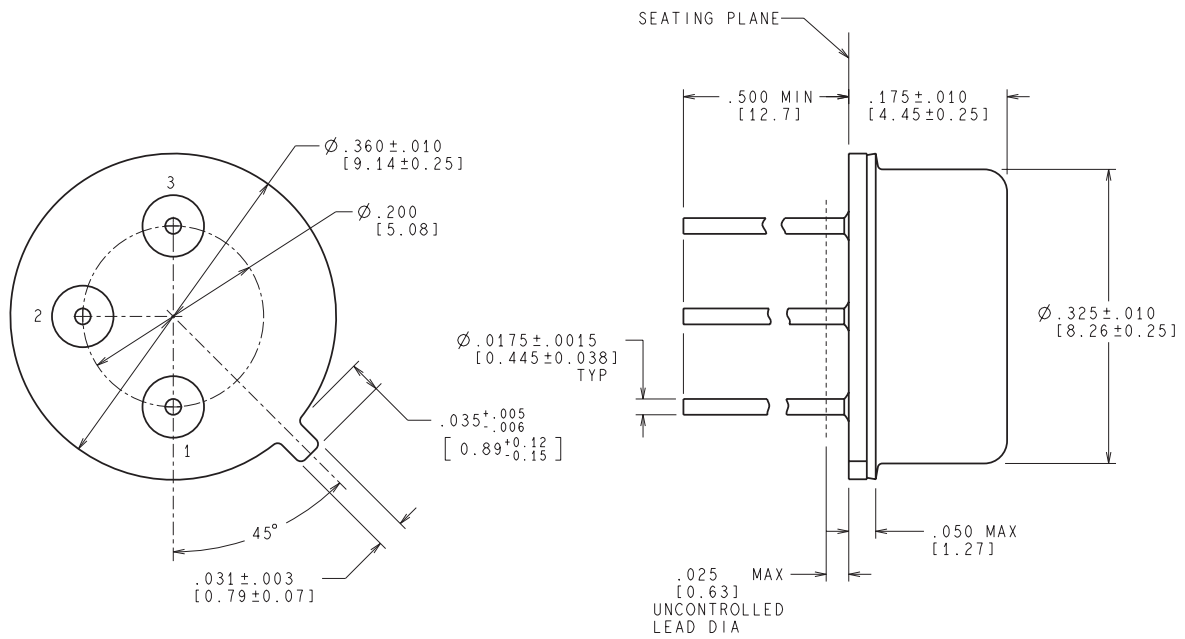


4215198/C 08/2022

# REVISIONS

REV	DESCRIPTION	E.C.N.	DATE	BY/APP'D
A	RELEASE TO DOCUMENT CONTROL	2197879	12/30/2021	TINA TRAN / ANIS FAUZI
B	NO CHANGE TO DRAWING; REVISION FOR YODA RELEASE;	2198832	02/15/2022	K. SINCERBOX
C	.387±.003 WAS .39000±.00012;	2200917	08/08/2022	D. CHIN / K. SINCERBOX

NDT0003A



CONTROLLING DIMENSION IS INCH  
VALUES IN [ ] ARE MILLIMETERS

MIL-PRF-38535  
CONFIGURATION CONTROL

H03A (Rev D)

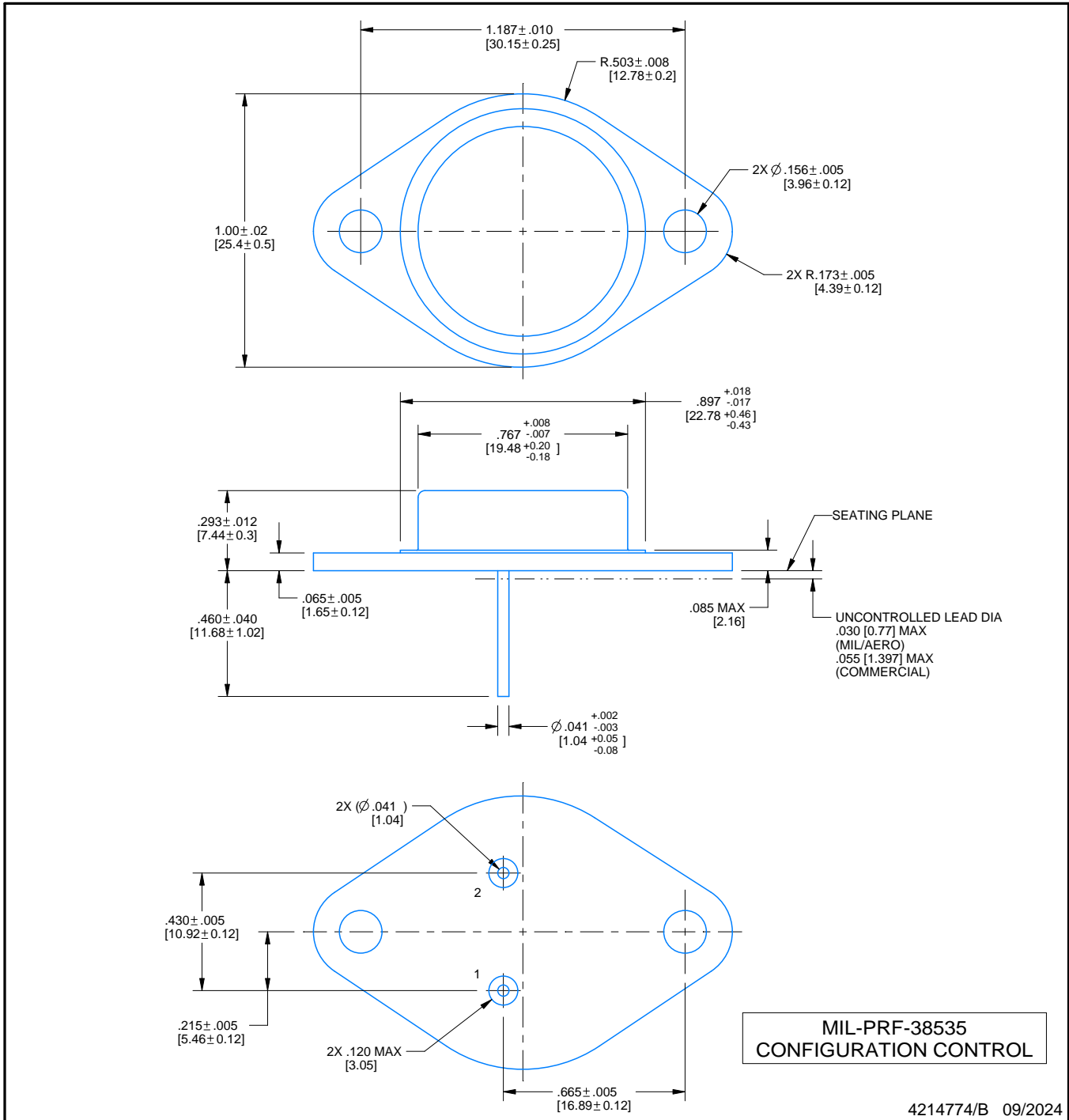
K0002A



PACKAGE OUTLINE

TO-CAN - 7.747 mm max height

TRANSISTOR OUTLINE



NOTES:

1. Linear dimensions are in inches [millimeters]. Dimensions in parenthesis are for reference only. Controlling dimensions are in inches. Dimensioning and tolerancing per ASME Y14.5M.
2. This drawing is subject to change without notice.
3. Leads not to be bent greater than 15°.

## 重要なお知らせと免責事項

テキサス・インスツルメンツは、技術データと信頼性データ(データシートを含みます)、設計リソース(リファレンス デザインを含みます)、アプリケーションや設計に関する各種アドバイス、Web ツール、安全性情報、その他のリソースを、欠陥が存在する可能性のある「現状のまま」提供しており、商品性および特定目的に対する適合性の黙示保証、第三者の知的財産権の非侵害保証を含むいかなる保証も、明示的または黙示的にかかわらず拒否します。

これらのリソースは、テキサス・インスツルメンツ製品を使用する設計の経験を積んだ開発者への提供を意図したものです。(1) お客様のアプリケーションに適したテキサス・インスツルメンツ製品の選定、(2) お客様のアプリケーションの設計、検証、試験、(3) お客様のアプリケーションに該当する各種規格や、その他のあらゆる安全性、セキュリティ、規制、または他の要件への確実な適合に関する責任を、お客様のみが単独で負うものとし、ます。

上記の各種リソースは、予告なく変更される可能性があります。これらのリソースは、リソースで説明されているテキサス・インスツルメンツ製品を使用するアプリケーションの開発の目的でのみ、テキサス・インスツルメンツはその使用をお客様に許諾します。これらのリソースに関して、他の目的で複製することや掲載することは禁止されています。テキサス・インスツルメンツや第三者の知的財産権のライセンスが付与されている訳ではありません。お客様は、これらのリソースを自身で使用した結果発生するあらゆる申し立て、損害、費用、損失、責任について、テキサス・インスツルメンツおよびその代理人を完全に補償するものとし、テキサス・インスツルメンツは一切の責任を拒否します。

テキサス・インスツルメンツの製品は、[テキサス・インスツルメンツの販売条件](#)、または [ti.com](https://www.ti.com) やかかるテキサス・インスツルメンツ製品の関連資料などのいずれかを通じて提供する適用可能な条項の下で提供されています。テキサス・インスツルメンツがこれらのリソースを提供することは、適用されるテキサス・インスツルメンツの保証または他の保証の放棄の拡大や変更を意味するものではありません。

お客様がいかなる追加条項または代替条項を提案した場合でも、テキサス・インスツルメンツはそれらに異議を唱え、拒否します。

郵送先住所：Texas Instruments, Post Office Box 655303, Dallas, Texas 75265  
Copyright © 2025, Texas Instruments Incorporated