

## LOW POWER LOW OFFSET VOLTAGE QUAD COMPARATORS

Check for Samples: [LM139AQL](#), [LM139QL](#)

### FEATURES

- Available With Radiation Ensured
  - Total Ionizing Dose 100 krad(Si)
  - ELDRS Free 100 krad(Si)
- Wide Supply Voltage Range
- LM139/139A Series 2 to 36 V<sub>DC</sub> or ±1 to ±18 V<sub>DC</sub>
- Very Low Supply Current Drain (0.8 mA) — Independent of Supply Voltage
- Low Input Biasing Current: 25 nA
- Low Input Offset Current: ±5 nA
- Offset Voltage: ±1 mV
- Input Common-mode Voltage Range Includes GND
- Differential Input Voltage Range Equal to the Power Supply Voltage
- Low Output Saturation Voltage: 250 mV at 4 mA
- Output Voltage Compatible with TTL, DTL, ECL, MOS and CMOS Logic Systems

### ADVANTAGES

- High Precision Comparators
- Reduced V<sub>OS</sub> Drift Over Temperature
- Eliminates Need for Dual Supplies
- Allows Sensing Near GND

- Compatible with all Forms of Logic
- Power Drain Suitable for Battery Operation

### DESCRIPTION

The LM139 series consists of four independent precision voltage comparators with an offset voltage specification as low as 2 mV max for all four comparators. These were designed specifically to operate from a single power supply over a wide range of voltages. Operation from split power supplies is also possible and the low power supply current drain is independent of the magnitude of the power supply voltage. These comparators also have a unique characteristic in that the input common-mode voltage range includes ground, even though operated from a single power supply voltage.

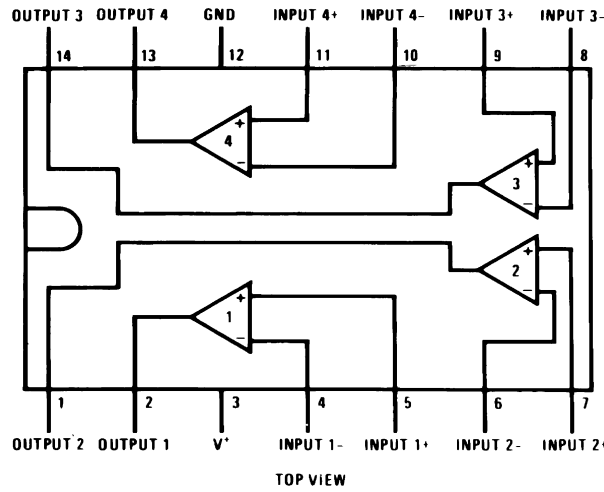
Application areas include limit comparators, simple analog to digital converters; pulse, squarewave and time delay generators; wide range VCO; MOS clock timers; multivibrators and high voltage digital logic gates. The LM139 series was designed to directly interface with TTL and CMOS. When operated from both plus and minus power supplies, they will directly interface with MOS logic— where the low power drain of the LM139/LM139A is a distinct advantage over standard comparators.



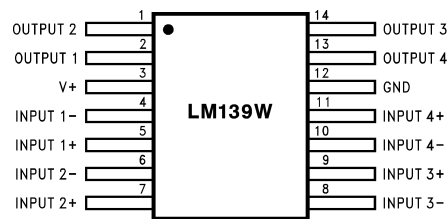
Please be aware that an important notice concerning availability, standard warranty, and use in critical applications of Texas Instruments semiconductor products and disclaimers thereto appears at the end of this data sheet.

All trademarks are the property of their respective owners.

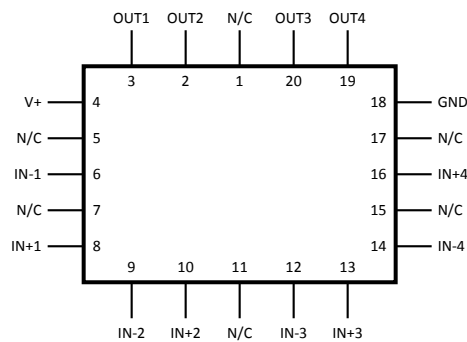
Connection Diagrams



Dual-In-Line Package  
See Package Number J(R-GDIP-14)



See Package Number NAD0014B, NAC0014A



See Package Number NAJ002A



These devices have limited built-in ESD protection. The leads should be shorted together or the device placed in conductive foam during storage or handling to prevent electrostatic damage to the MOS gates.

**Absolute Maximum Ratings<sup>(1)</sup>**

		<b>LM139 / LM139A</b>	
Supply Voltage, V <sup>+</sup>		36 V <sub>DC</sub> or ±18 V <sub>DC</sub>	
Differential Input Voltage <sup>(2)</sup>		36 V <sub>DC</sub>	
Input Voltage		–0.3 V <sub>DC</sub> to +36 V <sub>DC</sub>	
Input Current (V <sub>IN</sub> < –0.3 V <sub>DC</sub> ) <sup>(3)</sup>		50 mA	
Power Dissipation <sup>(4)(5)</sup>			
LCCC		1250 mW	
CDIP		1200 mW	
CLGA (NAD)		680 mW	
CLGA (NAC)		680 mW	
Sink Current (approx) <sup>(6)</sup>		20mA	
Output Short-Circuit to GND <sup>(7)</sup>		Continuous	
Storage Temperature Range		–65°C ≤ T <sub>A</sub> ≤ +150°C	
Maximum Junction Temperature (T <sub>J</sub> )		+150°C	
Lead Temperature (Soldering, 10 seconds)		300°C	
Operating Temperature Range		–55°C ≤ T <sub>A</sub> ≤ +125°C	
Thermal Resistance	θ <sub>JA</sub>	LCCC (Still Air)	100°C/W
		LCCC (500LF / Min Air flow)	73°C/W
		CDIP (Still Air)	103°C/W
		CDIP (500LF / Min Air flow)	65°C/W
		CLGA (NAD) (Still Air)	183°C/W
		CLGA (NAD) (500LF / Min Air flow)	120°C/W
		CLGA (NAC) (Still Air)	183°C/W
		CLGA (NAC) (500LF / Min Air flow)	120°C/W
	θ <sub>JC</sub>	LCCC	28°C/W
		CDIP	23°C/W
		CLGA (NAD)	23°C/W
		CLGA (NAC)	23°C/W
	Package Weight (typical)	LCCC	470mg
		CDIP	2,190mg
CLGA (NAD)		460mg	
CLGA (NAC)		410mg	
ESD rating <sup>(8)</sup>		600V	

- (1) Absolute Maximum Ratings indicate limits beyond which damage to the device may occur. Operating Ratings indicate conditions for which the device is functional, but do not ensure specific performance limits. For ensured specifications and test conditions, see, the Electrical Characteristics. The ensured specifications apply only for the test conditions listed. Some performance characteristics may degrade when the device is not operated under the listed test conditions.
- (2) Positive excursions of input voltage may exceed the power supply level. As long as the other voltage remains within the common-mode range, the comparator will provide a proper output state. The low input voltage state must not be less than –0.3 V<sub>DC</sub> (or 0.3 V<sub>DC</sub> below the magnitude of the negative power supply, if used) (at 25°C).
- (3) This input current will only exist when the voltage at any of the input leads is driven negative. It is due to the collector-base junction of the input PNP transistors becoming forward biased and thereby acting as input diode clamps. In addition to this diode action, there is also lateral NPN parasitic transistor action on the IC chip. This transistor action can cause the output voltages of the comparators to go to the V<sup>+</sup> voltage level (or to ground for a large overdrive) for the time duration that an input is driven negative. This is not destructive and normal output states will re-establish when the input voltage, which was negative, again returns to a value greater than –0.3 V<sub>DC</sub> (at 25°C).
- (4) The low bias dissipation and the ON-OFF characteristics of the outputs keeps the chip dissipation very small (P<sub>D</sub> ≤ 100mW), provided the output transistors are allowed to saturate.
- (5) The maximum power dissipation must be derated at elevated temperatures and is dictated by T<sub>Jmax</sub> (maximum junction temperature), θ<sub>JA</sub> (Package junction to ambient thermal resistance), and T<sub>A</sub> (ambient temperature). The maximum allowable power dissipation at any temperature is P<sub>Dmax</sub> = (T<sub>Jmax</sub> – T<sub>A</sub>) / θ<sub>JA</sub> or the number given in the Absolute Maximum Ratings, whichever is lower.
- (6) SMD 5962–8773901 only
- (7) Short circuits from the output to V<sup>+</sup> can cause excessive heating and eventual destruction. When considering short circuits to ground, the maximum output current is approximately 20 mA independent of the magnitude of V<sup>+</sup>.
- (8) Human Body model, 1.5 KΩ in series with 100 pF

## Recommended Operating Conditions

Supply Voltage	5.0 V <sub>DC</sub> to +30 V <sub>DC</sub>
Ambient Operating Temperature Range	-55°C ≤ T <sub>A</sub> ≤ +125°C

## Quality Conformance Inspection

Mil-Std-883, Method 5005 — Group A

Subgroup	Description	Temp (°C)
1	Static tests at	+25
2	Static tests at	+125
3	Static tests at	-55
4	Dynamic tests at	+25
5	Dynamic tests at	+125
6	Dynamic tests at	-55
7	Functional tests at	+25
8A	Functional tests at	+125
8B	Functional tests at	-55
9	Switching tests at	+25
10	Switching tests at	+125
11	Switching tests at	-55

## LM133 883 Electrical Characteristics DC Parameters

The following conditions apply, unless otherwise specified. +V = 5V, V<sub>CM</sub> = 0V

Symbol	Parameters	Conditions	Notes	Min	Max	Unit	Sub-groups
I <sub>CC</sub>	Supply Current	R <sub>L</sub> = Infinity			2.0	mA	1, 2, 3
	Supply Current	+V = 30V, R <sub>L</sub> = Infinity			2.0	mA	1, 2, 3
V <sub>IO</sub>	Input Offset Voltage	+V = 30V		-5.0	5.0	mV	1
				-9.0	9.0	mV	2, 3
		+V = 30V, V <sub>CM</sub> = 28.5V		-5.0	5.0	mV	1
				-9.0	9.0	mV	2, 3
		+V = 30V, V <sub>CM</sub> = 28.0V		-5.0	5.0	mV	1
				-9.0	9.0	mV	2, 3
CMRR	Common Mode Rejection Ratio	+V = 30V, V <sub>CM</sub> = 0V to 28.5V		60		dB	1
PSRR	Power Supply Rejection Ratio	+V = 5V to 30V		60		dB	1
± I <sub>Bias</sub>	Input Bias Current	V <sub>O</sub> = 1.5V	See <sup>(1)</sup>	-100	-1.0	nA	1
			See <sup>(1)</sup>	-300	-1.0	nA	2, 3
I <sub>IO</sub>	Input Offset Current	V <sub>O</sub> = 1.5V		-25	25	nA	1
				-100	100	nA	2, 3
I <sub>CEX</sub>	Output Leakage Current	+V = 30V, V <sub>O</sub> = 30V			1.0	μA	1, 2, 3
I <sub>Sink</sub>	Output Sink Current	V <sub>O</sub> = 1.5V		6.0		mA	1
V <sub>Sat</sub>	Saturation Voltage	I <sub>Sink</sub> = 4mA			400	mV	1
					700	mV	2, 3
A <sub>V</sub>	Voltage Gain	+V = 15V, R <sub>L</sub> ≥ 15ΩK, V <sub>I</sub> = 1V to 11V		50		V/mV	1

(1) The direction of the input current is out of the IC due to the PNP input stage. This current is essentially constant, independent of the state of the output so no loading change exists on the reference or input lines.

**LM133 883 Electrical Characteristics DC Parameters (continued)**

 The following conditions apply, unless otherwise specified.  $+V = 5V$ ,  $V_{CM} = 0V$ 

Symbol	Parameters	Conditions	Notes	Min	Max	Unit	Sub-groups
$V_{CM}$	Common Mode Voltage Range	$+V = 30V$	See <sup>(2)</sup>	0	$V^+ - (1.5)$	V	1
			See <sup>(2)</sup>	0	$V^+ - (2.0)$	V	2, 3
$V_{Diff}$	Differential Input Voltage	$+V = 30V, -V = 0V, +V_I = 36V, -V_I = 0V$	See <sup>(3)</sup>		500	nA	1, 2, 3
		$+V = 30V, -V = 0V, +V_I = 0V, -V_I = 36V$	See <sup>(3)</sup>		500	nA	1, 2, 3

 (2) Parameter ensured by  $V_{IO}$  tests

 (3) The value for  $V_{Diff}$  is not data logged during Read and Record.

**LM139 883 Electrical Characteristics AC Parameters**

 The following conditions apply, unless otherwise specified.  $+V = 5V$ 

Symbol	Parameters	Conditions	Notes	Min	Max	Unit	Sub-groups
$t_{RLH}$	Response Time	$V_{OD} = 5mV$			5.0	$\mu S$	9
		$V_{OD} = 50mV$			0.8	$\mu S$	9
$t_{RHL}$	Response Time	$V_{OD} = 5mV$			2.5	$\mu S$	9
		$V_{OD} = 50mV$			0.8	$\mu S$	9

**LM139A SMD 5962–8773901 Electrical Characteristics DC Parameters**

 The following conditions apply, unless otherwise specified.  $+V = 5V$ ,  $V_{CM} = 0V$ 

Symbol	Parameter	Conditions	Notes	Min	Max	Unit	Sub-groups
$I_{CC}$	Supply Current	$+V = 30V, R_L = \text{Infinity}$			3.0	mA	1, 2, 3
		$R_L = \text{Infinity}$			3.0	mA	1, 2, 3
$I_{CEX}$	Output Leakage Current	$+V = 30V, -V_I = 0V, +V_I \geq 1V, V_O = 30V$			0.5	$\mu A$	1
					1.0	$\mu A$	2, 3
$V_{Sat}$	Saturation Voltage	$I_{Sink} \leq 4mA, -V_I = 1V, +V_I = 0V$			400	mV	1
					700	mV	2, 3
$I_{Sink}$	Output Sink Current	$V_O \geq 1.5V, -V_I = 1V, +V_I = 0V$		6.0		mA	1
$V_{IO}$	Input Offset Voltage	$R_S = 0\Omega$		-2.0	2.0	mV	1
				-4.0	4.0	mV	2, 3
			$+V = 30V, R_S = 0\Omega$	-2.0	2.0	mV	1
				-4.0	4.0	mV	2, 3
			$+V = 30V, V_{CM} = 28V, V_O = 1.4V, R_S = 0\Omega$	-2.0	2.0	mV	1
$\pm I_{IB}$	Input Bias Current	$V_O = 1.5V$	See <sup>(1)</sup>	-100	-1.0	nA	1
			See <sup>(1)</sup>	-300	-1.0	nA	2, 3
$I_{IO}$	Input Offset Current	$V_O = 1.5V$		-25	25	nA	1
				-100	100	nA	2, 3
PSRR	Power Supply Rejection Ratio	$+V = 5V \text{ to } 30V$		70		dB	1, 2, 3
CMRR	Common Mode Rejection Ratio	$+V = 30V, V_{CM} = 0V \text{ to } 28V, R_L \geq 15K\Omega$		70		dB	1, 2, 3
$A_V$	Voltage Gain	$+V = 15V, R_L \geq 15K\Omega, V_O = 1V \text{ to } 11V$		50		V/mV	4
				25		V/mV	5, 6

(1) The direction of the input current is out of the IC due to the PNP input stage. This current is essentially constant, independent of the state of the output so no loading change exists on the reference or input lines.

### LM139A SMD 5962–8773901 Electrical Characteristics DC Parameters (continued)

The following conditions apply, unless otherwise specified. +V = 5V, V<sub>CM</sub> = 0V

Symbol	Parameter	Conditions	Notes	Min	Max	Unit	Sub-groups
V <sub>CM</sub>	Common Mode Voltage Range	+V = 30V	See <sup>(2)</sup>	0	V <sup>+</sup> - (2.0)	V	1, 2, 3
		+V = 5V	See <sup>(2)</sup>	0	V <sup>+</sup> - (2.0)	V	1, 2, 3

(2) Parameter ensured by V<sub>IO</sub> tests

### LM139A SMD 5962–8773901 Electrical Characteristics AC Parameters

The following conditions apply, unless otherwise specified. +V = 5V

Symbol	Parameters	Conditions	Notes	Min	Max	Unit	Sub-groups
t <sub>RLH</sub>	Response Time	V <sub>OD</sub> = 5mV, R <sub>L</sub> = 5.1KΩ			5.0	μS	9
t <sub>RHL</sub>	Response Time	V <sub>OD</sub> = 5mV, R <sub>L</sub> = 5.1KΩ			2.5	μS	9

### LM139A 883, QMLV & RH, SMD 5962–9673801 Electrical Characteristics DC Parameters<sup>(1)(2)</sup>

The following conditions apply, unless otherwise specified. +V = 5V, V<sub>CM</sub> = 0V

Symbol	Parameters	Conditions	Notes	Min	Max	Unit	Sub-groups
I <sub>CC</sub>	Supply Current	R <sub>L</sub> = Infinity			2.0	mA	1, 2, 3
		+V = 30V, R <sub>L</sub> = Infinity			2.0	mA	1, 2, 3
I <sub>CEX</sub>	Output Leakage Current	+V = 30V, V <sub>O</sub> = 30V			1.0	μA	1, 2, 3
V <sub>Sat</sub>	Saturation Voltage	I <sub>Sink</sub> = 4mA			400	mV	1
					700	mV	2, 3
I <sub>Sink</sub>	Output Sink Current	V <sub>O</sub> = 1.5V		6.0		mA	1
V <sub>IO</sub>	Input Offset Voltage			-2.0	2.0	mV	1
				-4.0	4.0	mV	2, 3
			+V = 30V	-2.0	2.0	mV	1
				-4.0	4.0	mV	2, 3
			+V = 30V, V <sub>CM</sub> = 28.5V, V <sub>O</sub> = 1.5V	-2.0	2.0	mV	1
	+V = 30V, V <sub>CM</sub> = 28.0V, V <sub>O</sub> = 1.5V	-4.0	4.0	mV	2, 3		
± I <sub>Bias</sub>	Input Bias Current	V <sub>O</sub> = 1.5V	See <sup>(3)</sup>	-100	-1.0	nA	1
			See <sup>(3)</sup>	-300	-1.0	nA	2, 3
I <sub>IO</sub>	Input Offset Current	V <sub>O</sub> = 1.5V		-25	25	nA	1
				-100	100	nA	2, 3
PSRR	Power Supply Rejection Ratio	+V = 5V to 30V		60		dB	1
CMRR	Common Mode Rejection Ratio	+V = 30V, V <sub>CM</sub> = 0V to 28.5V		60		dB	1
A <sub>V</sub>	Voltage Gain	+V = 15V, R <sub>L</sub> ≥ 15KΩ, V <sub>O</sub> = 1V to 11V		50		V/mV	1

- (1) Pre and post irradiation limits are identical to those listed under AC and DC electrical characteristics except as listed in the "Post Radiation Limits" table. These parts may be dose rate sensitive in a space environment and demonstrate enhanced low dose rate effect. Radiation end point limits for the noted parameters are ensured only for the conditions as specified in Mil-Std-883, Method 1019, Condition A.
- (2) Low dose rate testing has been performed on a wafer-by-wafer basis, per test method 1019, condition D, MIL-STD-883, with no enhanced low dose rate sensitivity (ELDRS) effect. Pre and post irradiation limits are identical to those listed under AC and DC electrical characteristics, except as listed in the "Post Radiation Limits" table. Radiation end point limits for the noted parameters are ensured for only the conditions as specified in MIL-STD-883, Method 1019, condition D.
- (3) The direction of the input current is out of the IC due to the PNP input stage. This current is essentially constant, independent of the state of the output so no loading change exists on the reference or input lines.

**LM139A 883, QMLV & RH, SMD 5962–9673801 Electrical Characteristics DC Parameters<sup>(1)(2)</sup> (continued)**

 The following conditions apply, unless otherwise specified. +V = 5V, V<sub>CM</sub> = 0V

Symbol	Parameters	Conditions	Notes	Min	Max	Unit	Sub-groups
V <sub>CM</sub>	Common Mode Voltage Range	+V = 30V	See <sup>(4)</sup> See <sup>(5)</sup>	0	V <sup>+</sup> - (1.5)	V	1
			See <sup>(4)</sup> See <sup>(5)</sup>	0	V <sup>+</sup> - (2.0)	V	2, 3
V <sub>Diff</sub>	Differential Input Voltage	+V = 30V, -V = 0V, +V <sub>I</sub> = 36V, -V <sub>I</sub> = 0V	(6)		500	nA	1, 2, 3
		+V = 30V, -V = 0V, +V <sub>I</sub> = 0V, -V <sub>I</sub> = 36V	(6)		500	nA	1, 2, 3

(4) The input common-mode voltage or either input signal voltage should not be allowed to go negative by more than 0.3V. The upper end of the common-mode voltage range is V<sup>+</sup> - 1.5V for Subgroup 1, or V<sup>+</sup> - 2.0V for Subgroup 2 & 3. Either or both inputs can go to +30 V<sub>DC</sub> without damage, independent of the magnitude of V<sup>+</sup>.

(5) Parameter ensured by V<sub>IO</sub> tests

(6) The value for V<sub>Diff</sub> is not data logged during Read and Record.

**LM139A 883, QMLV & RH, SMD 5962–9673801 Electrical Characteristics AC Parameters<sup>(1)(2)</sup>**

The following conditions apply, unless otherwise specified. +V = 5V

Symbol	Parameters	Conditions	Notes	Min	Max	Unit	Sub-groups
t <sub>RLH</sub>	Response Time	V <sub>OD</sub> = 5mV			5.0	μS	4
		V <sub>OD</sub> = 50mV			0.8	μS	4
t <sub>RHL</sub>	Response Time	V <sub>OD</sub> = 5mV			2.5	μS	4
		V <sub>OD</sub> = 50mV			0.8	μS	4

(1) Pre and post irradiation limits are identical to those listed under AC and DC electrical characteristics except as listed in the "Post Radiation Limits" table. These parts may be dose rate sensitive in a space environment and demonstrate enhanced low dose rate effect. Radiation end point limits for the noted parameters are ensured only for the conditions as specified in Mil-Std-883, Method 1019, Condition A.

(2) Low dose rate testing has been performed on a wafer-by-wafer basis, per test method 1019, condition D, MIL-STD-883, with no enhanced low dose rate sensitivity (ELDRS) effect. Pre and post irradiation limits are identical to those listed under AC and DC electrical characteristics, except as listed in the "Post Radiation Limits" table. Radiation end point limits for the noted parameters are ensured for only the conditions as specified in MIL-STD-883, Method 1019, condition D.

**LM139A 883, QMLV & RH, SMD 5962–9673801 Electrical Characteristics DC Parameters Delta Values**

 The following conditions apply, unless otherwise specified. +V = 5V, V<sub>CM</sub> = 0V

Deltas required for S-Level, MLS (as specified on Internal Processing instructions (IPI)), and QMLV product at Group B, Subgroup 5.

Symbol	Parameters	Conditions	Notes	Min	Max	Unit	Sub-groups
V <sub>IO</sub>	Input Offset Voltage			-1.0	1.0	mV	1
± I <sub>Bias</sub>	Input Bias Current	V <sub>O</sub> = 1.5V	See <sup>(1)</sup>	-15	15	nA	1
I <sub>IO</sub>	Input Offset Current	V <sub>O</sub> = 1.5V		-10	+10	nA	1

(1) The direction of the input current is out of the IC due to the PNP input stage. This current is essentially constant, independent of the state of the output so no loading change exists on the reference or input lines.

**LM139A 883, QMLV & RH, SMD 5962–9673801 Electrical Characteristics DC/AC  
Parameters 50K Post Rad Limits +25°C<sup>(1)</sup>**

The following conditions apply, unless otherwise specified.

DC: +V = 5V, V<sub>CM</sub> = 0V

AC: +V = 5V

Symbol	Parameters	Conditions	Notes	Min	Max	Unit	Sub-groups
V <sub>IO</sub>	Input Offset Voltage	+V = 5V, V <sub>CM</sub> = 0		-2.5	2.5	mV	1
		+V = 30V, V <sub>CM</sub> = 0		-2.5	2.5	mV	1
		+V = 30V, V <sub>CM</sub> = 28.5V, V <sub>O</sub> = 1.5V		-2.5	2.5	mV	1
± I <sub>Bias</sub>	Input Bias Current	V <sub>O</sub> = 1.5V	See <sup>(2)</sup>	-110	-1.0	nA	1
t <sub>RLH</sub>	Response Time	V <sub>OD</sub> (Overdrive) = 50mV			0.9	μS	4

- (1) Pre and post irradiation limits are identical to those listed under AC and DC electrical characteristics except as listed in the "Post Radiation Limits" table. These parts may be dose rate sensitive in a space environment and demonstrate enhanced low dose rate effect. Radiation end point limits for the noted parameters are ensured only for the conditions as specified in Mil-Std-883, Method 1019, Condition A.
- (2) The direction of the input current is out of the IC due to the PNP input stage. This current is essentially constant, independent of the state of the output so no loading change exists on the reference or input lines.

**LM139A 883, QMLV & RH, SMD 5962–9673801 Electrical Characteristics DC/AC  
Parameters 100K Post Rad Limits +25°C<sup>(1)(2)</sup>**

The following conditions apply, unless otherwise specified.

DC: +V = 5V, V<sub>CM</sub> = 0V

AC: +V = 5V

Symbol	Parameters	Conditions	Notes	Min	Max	Unit	Sub-groups
V <sub>IO</sub>	Input Offset Voltage	+V = 5V, V <sub>CM</sub> = 0		-4.0	4.0	mV	1
		+V = 30V, V <sub>CM</sub> = 0		-4.0	4.0	mV	1
		+V = 30V, V <sub>CM</sub> = 28.5V, V <sub>O</sub> = 1.5V		-4.0	4.0	mV	1
± I <sub>Bias</sub>	Input Bias Current	V <sub>O</sub> = 1.5V	See <sup>(3)</sup>	-110	-1.0	nA	1
t <sub>RLH</sub>	Response Time	V <sub>OD</sub> (Overdrive) = 50mV			1.0	μS	4

- (1) Pre and post irradiation limits are identical to those listed under AC and DC electrical characteristics except as listed in the "Post Radiation Limits" table. These parts may be dose rate sensitive in a space environment and demonstrate enhanced low dose rate effect. Radiation end point limits for the noted parameters are ensured only for the conditions as specified in Mil-Std-883, Method 1019, Condition A.
- (2) Low dose rate testing has been performed on a wafer-by-wafer basis, per test method 1019, condition D, MIL-STD-883, with no enhanced low dose rate sensitivity (ELDRS) effect. Pre and post irradiation limits are identical to those listed under AC and DC electrical characteristics, except as listed in the "Post Radiation Limits" table. Radiation end point limits for the noted parameters are ensured for only the conditions as specified in MIL-STD-883, Method 1019, condition D.
- (3) The direction of the input current is out of the IC due to the PNP input stage. This current is essentially constant, independent of the state of the output so no loading change exists on the reference or input lines.



TYPICAL PERFORMANCE CHARACTERISTICS

LM139, LM139A

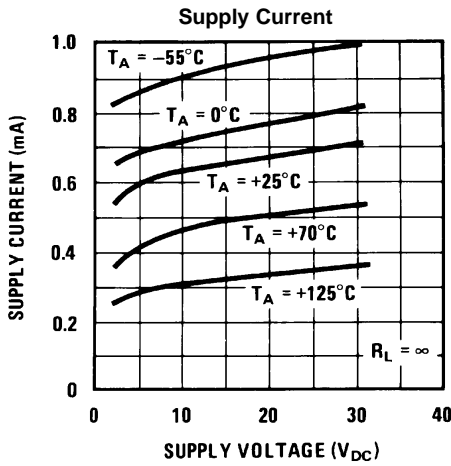


Figure 1.

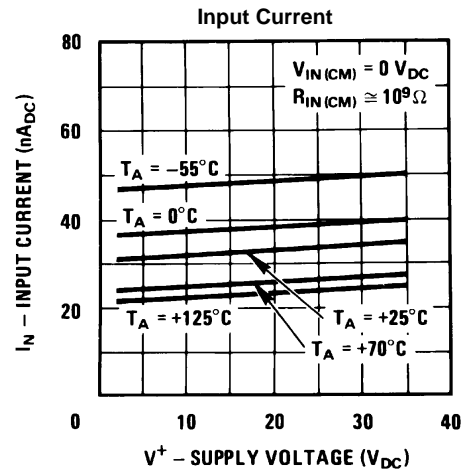


Figure 2.

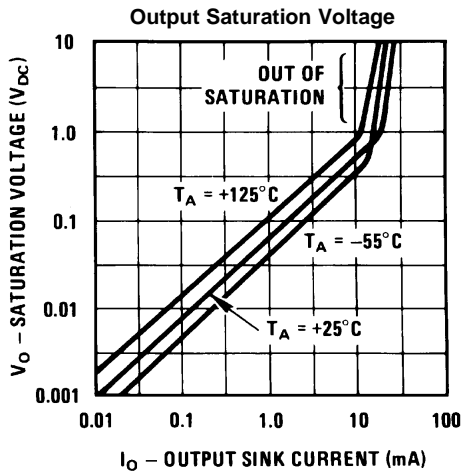


Figure 3.

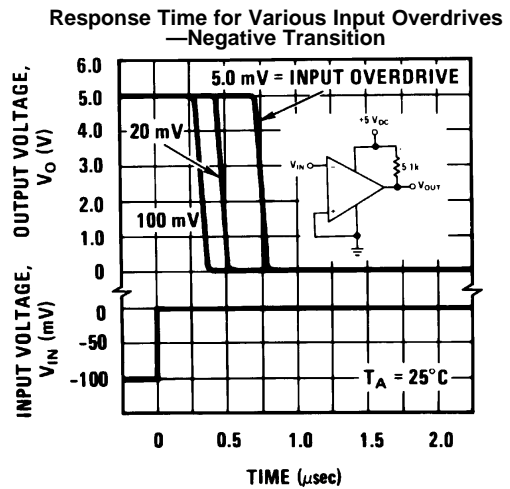


Figure 4.

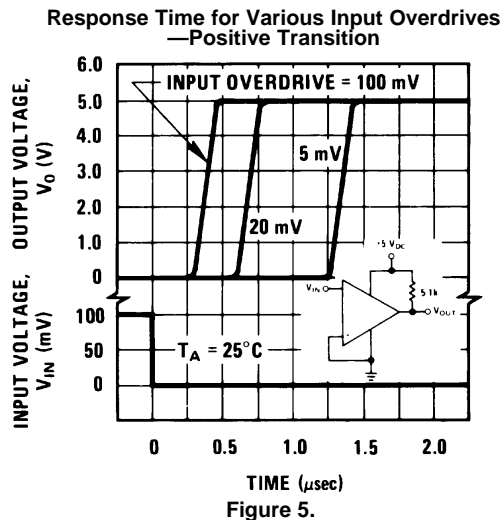


Figure 5.

## APPLICATION HINTS

The LM139 series are high gain, wide bandwidth devices which, like most comparators, can easily oscillate if the output lead is inadvertently allowed to capacitively couple to the inputs via stray capacitance. This shows up only during the output voltage transition intervals as the comparator changes states. Power supply bypassing is not required to solve this problem. Standard PC board layout is helpful as it reduces stray input-output coupling. Reducing this input resistors to  $< 10\text{ k}\Omega$  reduces the feedback signal levels and finally, adding even a small amount (1 to 10 mV) of positive feedback (hysteresis) causes such a rapid transition that oscillations due to stray feedback are not possible. Simply socketing the IC and attaching resistors to the pins will cause input-output oscillations during the small transition intervals unless hysteresis is used. If the input signal is a pulse waveform, with relatively fast rise and fall times, hysteresis is not required.

All pins of any unused comparators should be tied to the negative supply.

The bias network of the LM139 series establishes a drain current which is independent of the magnitude of the power supply voltage over the range of from  $2 V_{DC}$  to  $30 V_{DC}$ .

It is usually unnecessary to use a bypass capacitor across the power supply line.

The differential input voltage may be larger than  $V^+$  without damaging the device. Protection should be provided to prevent the input voltages from going negative more than  $-0.3 V_{DC}$  (at  $25^\circ\text{C}$ ). An input clamp diode can be used as shown in the [Typical Applications](#) section.

The output of the LM139 series is the uncommitted collector of a grounded-emitter NPN output transistor. Many collectors can be tied together to provide an output OR'ing function. An output pull-up resistor can be connected to any available power supply voltage within the permitted supply voltage range and there is no restriction on this voltage due to the magnitude of the voltage which is applied to the  $V^+$  terminal of the LM139A package. The output can also be used as a simple SPST switch to ground (when a pull-up resistor is not used). The amount of current which the output device can sink is limited by the drive available (which is independent of  $V^+$ ) and the  $\beta$  of this device. When the maximum current limit is reached (approximately 16 mA), the output transistor will come out of saturation and the output voltage will rise very rapidly. The output saturation voltage is limited by the approximately  $60\Omega R_{SAT}$  of the output transistor. The low offset voltage of the output transistor (1 mV) allows the output to clamp essentially to ground level for small load currents.

### Typical Applications

( $V^+ = 5.0 V_{DC}$ )

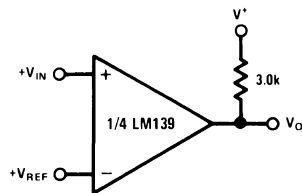


Figure 6. Basic Comparator

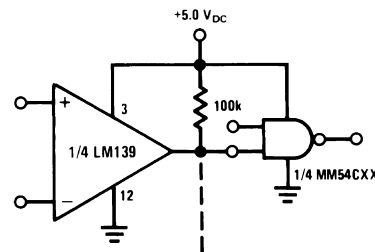


Figure 7. Driving CMOS

( $V^+ = 5.0 V_{DC}$ )

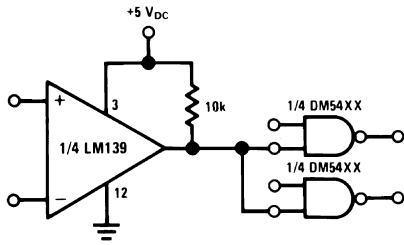


Figure 8. Driving TTL

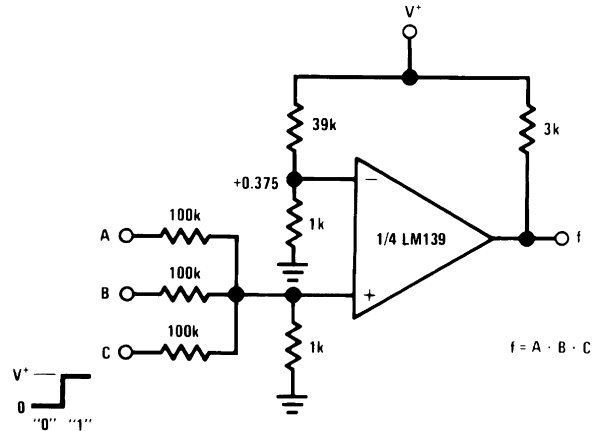


Figure 9. AND Gate

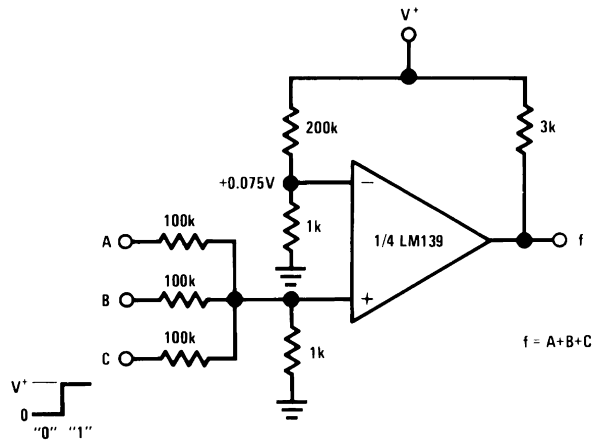


Figure 10. OR Gate

Typical Applications

( $V^+ = 15 V_{DC}$ )

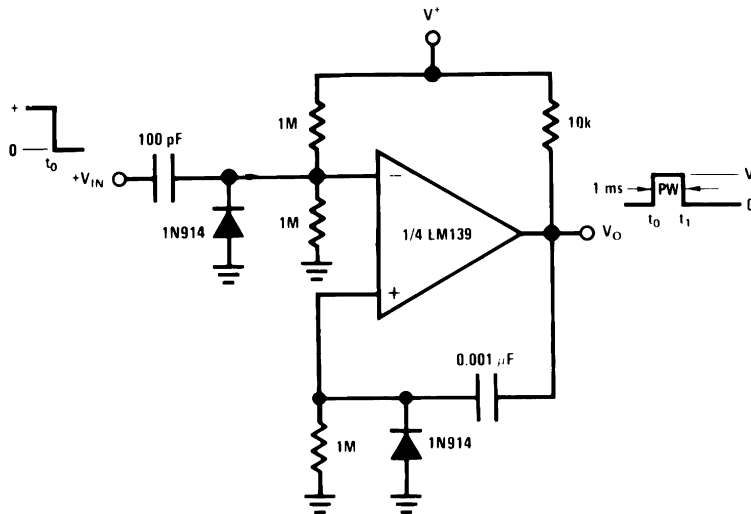


Figure 11. One-Shot Multivibrator

( $V^+ = 15\text{ V}_{DC}$ )

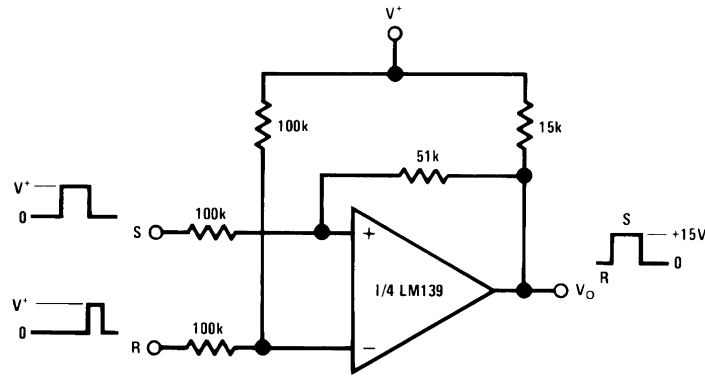


Figure 12. Bi-Stable Multivibrator

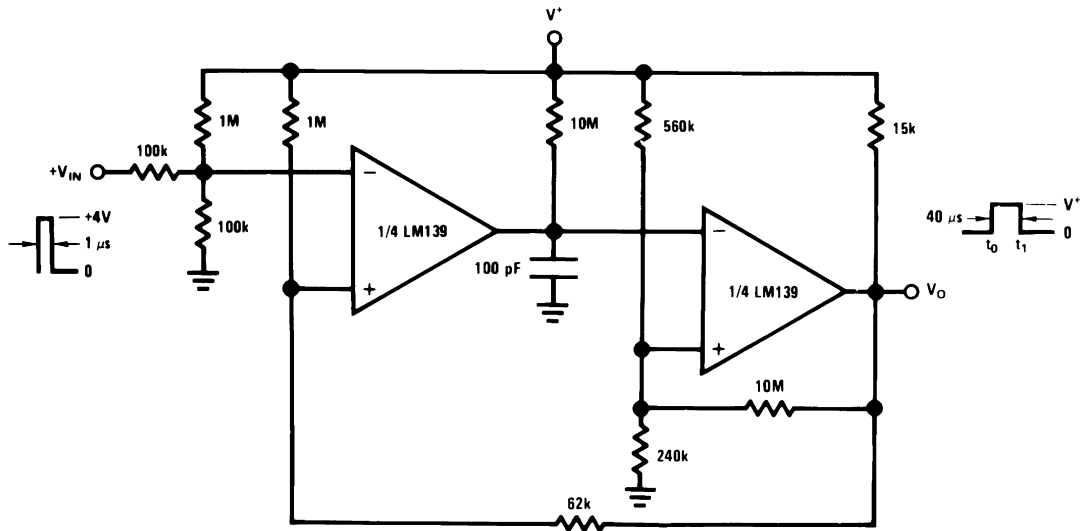


Figure 13. One-Shot Multivibrator with Input Lock Out

( $V^+ = 15\text{ V}_{DC}$ )

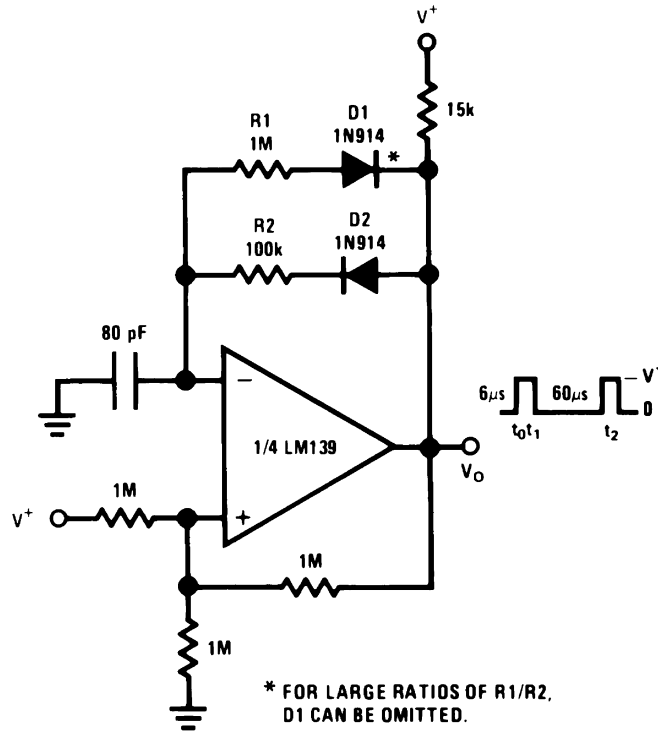


Figure 14. Pulse Generator

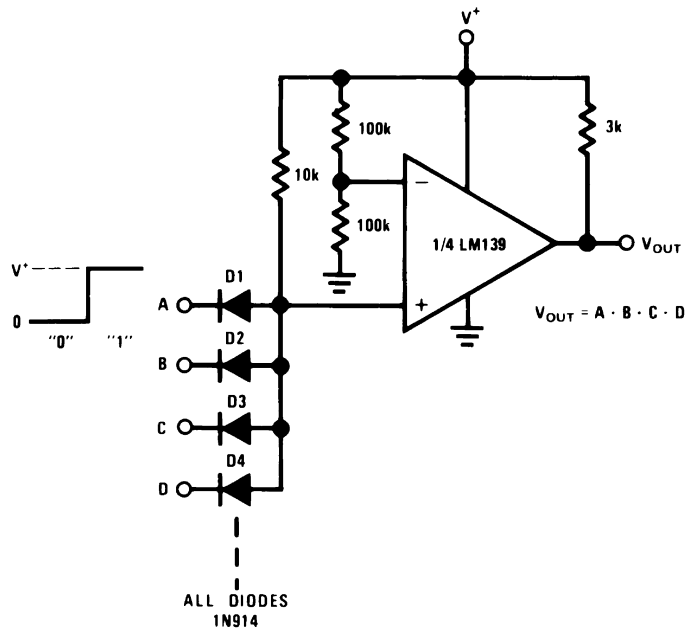


Figure 15. Large Fan-In AND Gate

( $V^+ = 15\text{ V}_{DC}$ )

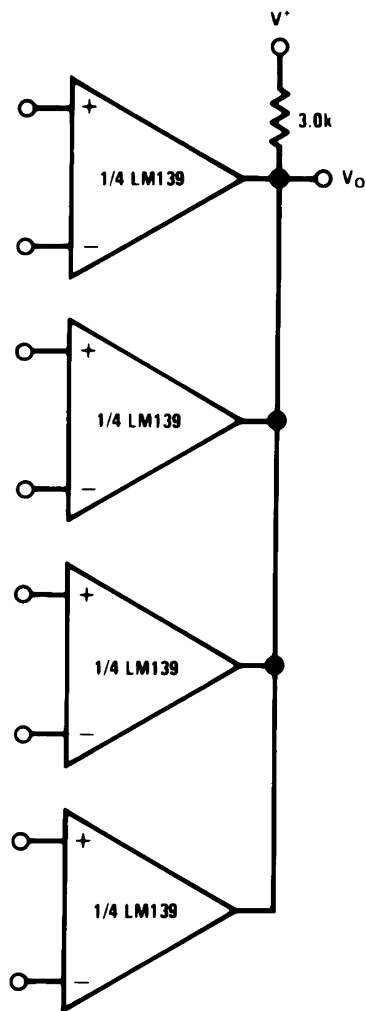


Figure 16. ORing the Outputs

( $V^+ = 15\text{ V}_{DC}$ )

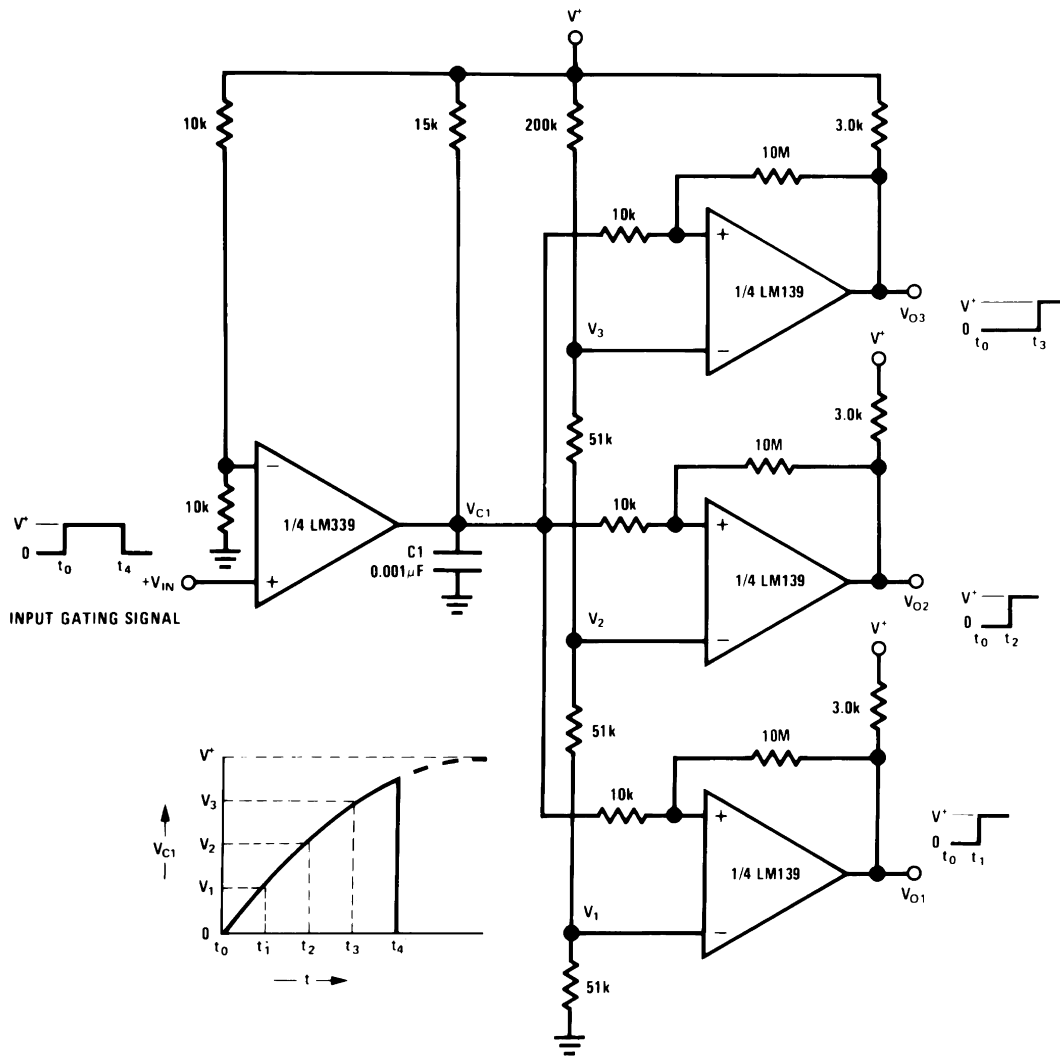


Figure 17. Time Delay Generator

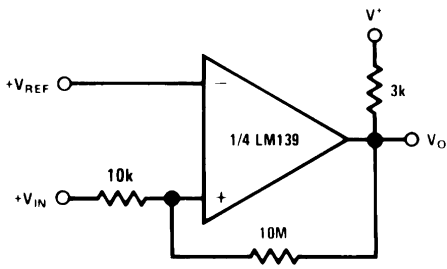


Figure 18. Non-Inverting Comparator with Hysteresis

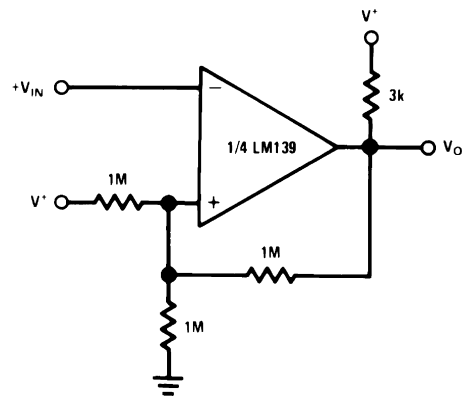


Figure 19. Inverting Comparator with Hysteresis

( $V^+ = 15\text{ V}_{DC}$ )

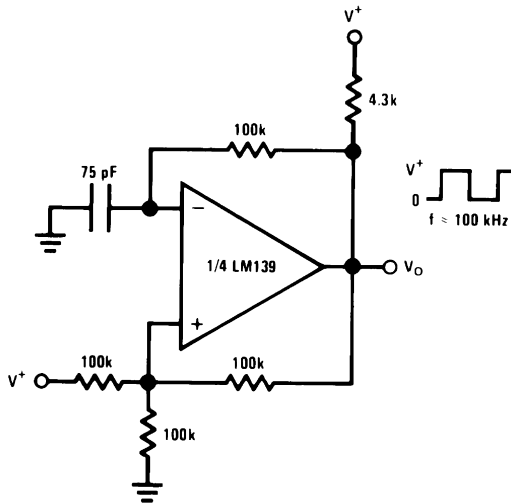


Figure 20. Squarewave Oscillator

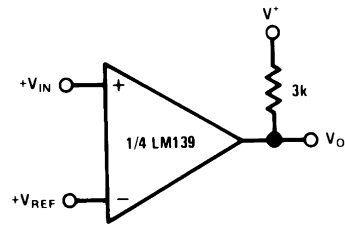


Figure 21. Basic Comparator

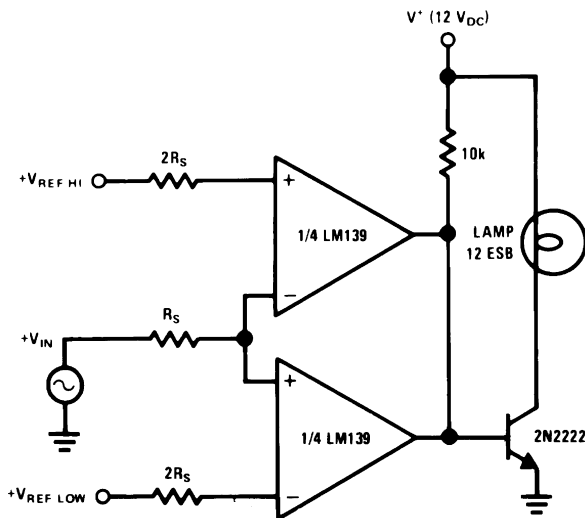


Figure 22. Limit Comparator

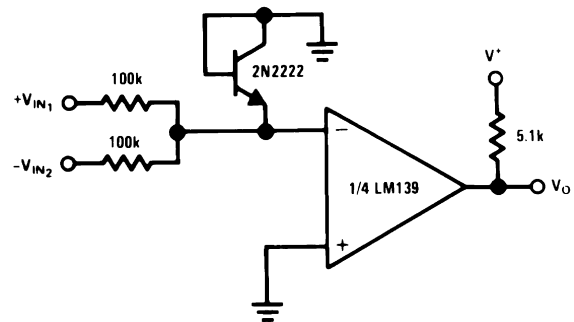
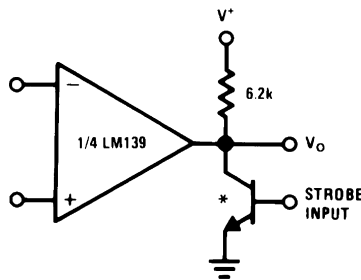


Figure 23. Comparing Input Voltages of Opposite Polarity



\* Or open-collector logic gate without pull-up resistor

Figure 24. Output Strobing



( $V^+ = 15\text{ V}_{DC}$ )

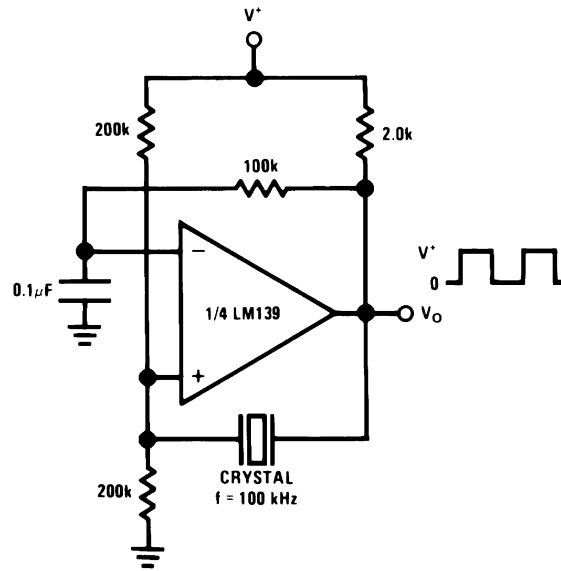
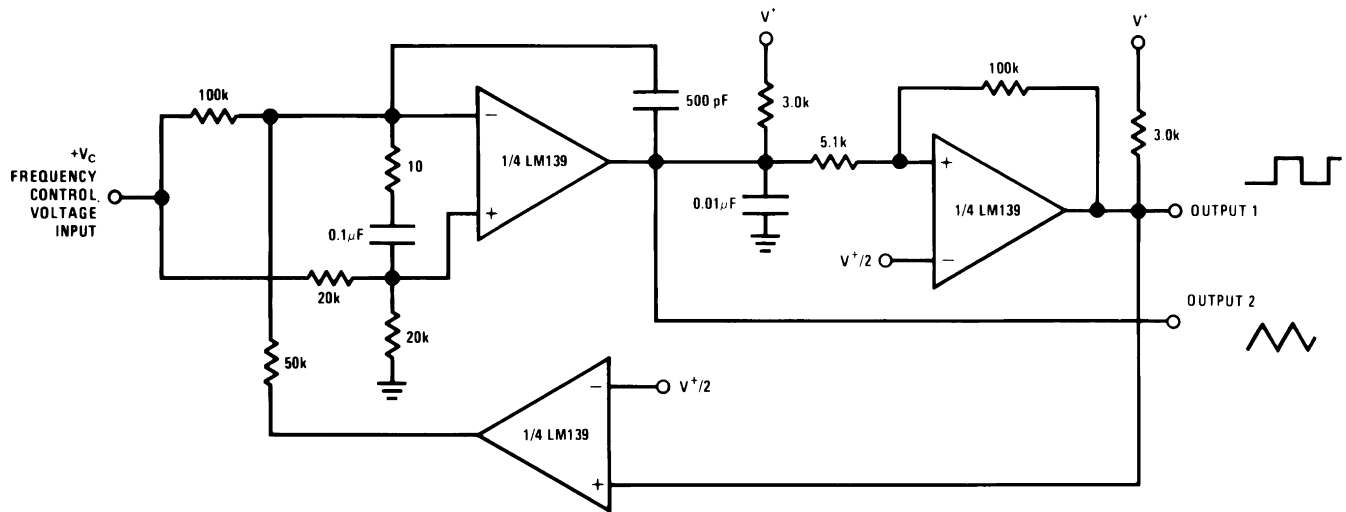


Figure 25. Crystal Controlled Oscillator



$V^+ = +30\text{ V}_{DC}$   
 $250\text{ mV}_{DC} \leq V_C \leq +50\text{ V}_{DC}$   
 $700\text{ Hz} \leq f_O \leq 100\text{ kHz}$

Figure 26. Two-Decade High-Frequency VCO

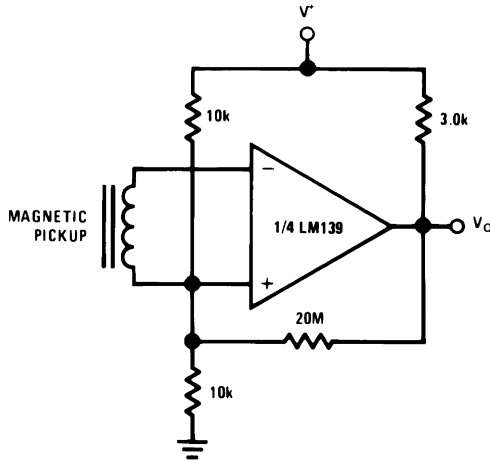


Figure 27. Transducer Amplifier

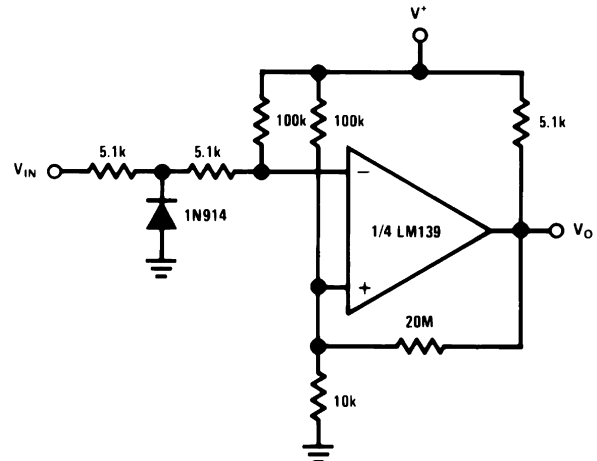


Figure 28. Zero Crossing Detector (Single Power Supply)

**Split-Supply Applications**

( $V^+ = +15 V_{DC}$  and  $V^- = -15 V_{DC}$ )

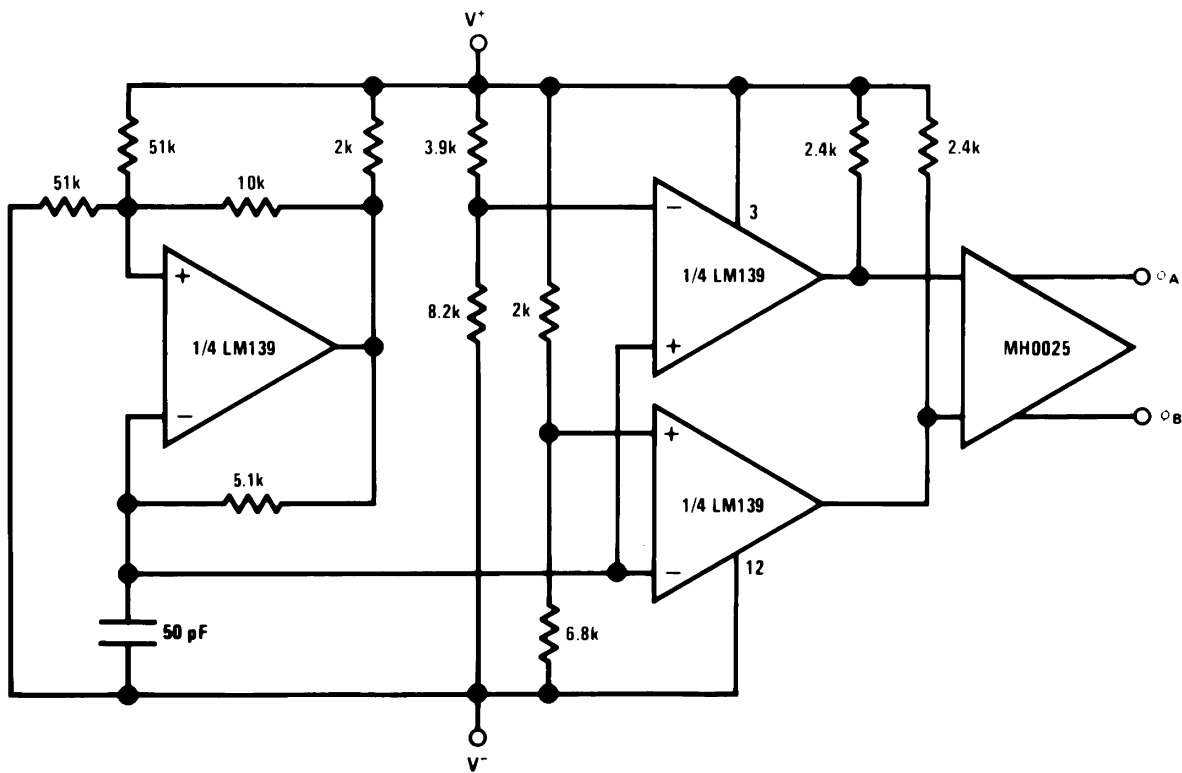


Figure 29. MOS Clock Driver

( $V^+ = +15 V_{DC}$  and  $V^- = -15 V_{DC}$ )

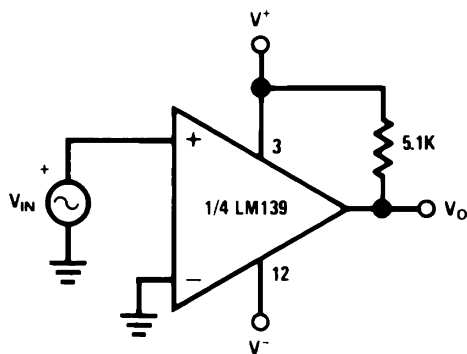


Figure 30. Zero Crossing Detector

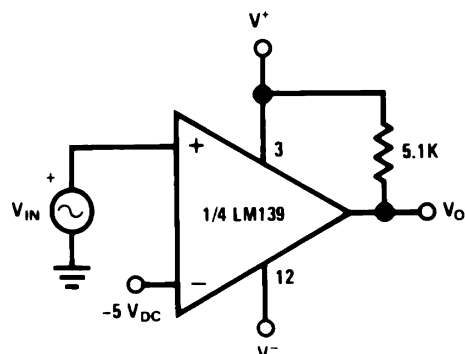
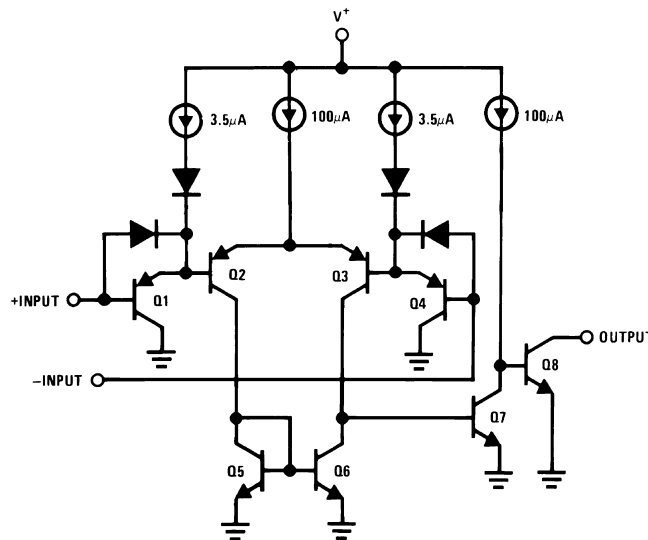


Figure 31. Comparator With a Negative Reference

Schematic Diagram



Revision History

Date Released	Revision	Section	Changes
02/08/05	A	New Release to corporate format	3 MDS datasheets converted into one Corp. datasheet format. MNLM139A-X-RH rev 4B0, MDLM139A-X rev 0C1, MNL139-X rev 1A1. MDS datasheets will be archived.
06/28/06	B	Features, Rad Hard Electrical Section and Notes	Added Available with Radiation Ensured, Low Dose NSID's to table 5962R9673802VCA LM139AJRLQMLV, 5962R9673802VDA LM139AWRLQMLV, 5962R9673802VXA LM139AWGRLQMLV, and reference to Note. Archive Revision A.
02/13/08	C	Features, LM139A 883, QMLV & RH, SMD 5962-9673801 Electrical Characteristics, Notes	Added TID & Eldrs reference, Note - Condition A. Changed VCM parameter - pg 8, Title from Drift Values to Delta Values. Revision B will be Archived.
10/15/2010	D	Data Sheet Title	Changed the data sheet title from LM139A/LM139QL to LM139AQL/LM139QL, removed EOL NSID's. Added Bare Die NSID's. Revision C will be Archived
03/26/2013	G	All Sections	Changed layout of National Data Sheet to TI format

**PACKAGING INFORMATION**

Orderable Device	Status (1)	Package Type	Package Drawing	Pins	Package Qty	Eco Plan (2)	Lead finish/ Ball material (6)	MSL Peak Temp (3)	Op Temp (°C)	Device Marking (4/5)	Samples
5962-8773901XA	ACTIVE	CFP	NAC	14	88	Non-RoHS & Green	Call TI	Level-1-NA-UNLIM	-55 to 125	LM139AWG -SMD Q 5962-87739 01XA ACO 01XA >T	<a href="#">Samples</a>
5962-9673801VDA	ACTIVE	CFP	NAD	14	19	Non-RoHS & Green	Call TI	Level-1-NA-UNLIM	-55 to 125	LM139AW- QMLV Q 5962-96738 01VDA ACO 01VDA >T	<a href="#">Samples</a>
5962-9673801VXA	ACTIVE	CFP	NAC	14	88	Non-RoHS & Green	Call TI	Level-1-NA-UNLIM	-55 to 125	LM139AWG- QMLV Q 5962-96738 01VXA ACO 01VXA >T	<a href="#">Samples</a>
5962R9673801V9A	ACTIVE	DIESALE	Y	0	40	RoHS & Green	Call TI	Level-1-NA-UNLIM	-55 to 125		<a href="#">Samples</a>
5962R9673801VCA	ACTIVE	CDIP	J	14	25	Non-RoHS & Green	Call TI	Level-1-NA-UNLIM	-55 to 125	LM139AJRQMLV 5962R9673801VCA Q	<a href="#">Samples</a>
5962R9673801VDA	ACTIVE	CFP	NAD	14	19	Non-RoHS & Green	Call TI	Level-1-NA-UNLIM	-55 to 125	LM139AWR QMLV Q 5962R96738 (01VDA ACO, 02VDA ACO) (01VDA >T, 02VDA > T)	<a href="#">Samples</a>
5962R9673801VXA	ACTIVE	CFP	NAC	14	88	Non-RoHS & Green	Call TI	Level-1-NA-UNLIM	-55 to 125	LM139AWGR QMLV Q 5962R96738 01VXA ACO 01VXA >T	<a href="#">Samples</a>
5962R9673802V9A	ACTIVE	DIESALE	Y	0	40	RoHS & Green	Call TI	Level-1-NA-UNLIM	-55 to 125		<a href="#">Samples</a>
5962R9673802VCA	ACTIVE	CDIP	J	14	25	Non-RoHS & Green	Call TI	Level-1-NA-UNLIM	-55 to 125	LM139AJRLQMLV 5962R9673802VCA Q	<a href="#">Samples</a>
5962R9673802VDA	ACTIVE	CFP	NAD	14	19	Non-RoHS & Green	Call TI	Level-1-NA-UNLIM	-55 to 125	LM139AWRL QMLV Q	<a href="#">Samples</a>

Orderable Device	Status (1)	Package Type	Package Drawing	Pins	Package Qty	Eco Plan (2)	Lead finish/ Ball material (6)	MSL Peak Temp (3)	Op Temp (°C)	Device Marking (4/5)	Samples
										5962R96738 02VDA ACO 02VDA >T	
5962R9673802VXA	ACTIVE	CFP	NAC	14	88	Non-RoHS & Green	Call TI	Level-1-NA-UNLIM	-55 to 125	LM139AWGRL QMLV Q 5962R96738 02VXA ACO 02VXA >T	<a href="#">Samples</a>
LM139 MD8	ACTIVE	DIESALE	Y	0	400	RoHS & Green	Call TI	Level-1-NA-UNLIM	-55 to 125		<a href="#">Samples</a>
LM139 MDE	ACTIVE	DIESALE	Y	0	40	RoHS & Green	Call TI	Level-1-NA-UNLIM	-55 to 125		<a href="#">Samples</a>
LM139 MDR	ACTIVE	DIESALE	Y	0	40	RoHS & Green	Call TI	Level-1-NA-UNLIM	-55 to 125		<a href="#">Samples</a>
LM139AE/883	ACTIVE	LCCC	NAJ	20	50	RoHS & Green	Call TI	Level-1-NA-UNLIM	-55 to 125	LM139AE /883 Q ACO 5962-90765 /883 Q >T	<a href="#">Samples</a>
LM139AJ/883	ACTIVE	CDIP	J	14	25	Non-RoHS & Green	Call TI	Level-1-NA-UNLIM	-55 to 125	LM139AJ/883 Q	<a href="#">Samples</a>
LM139AJRLQMLV	ACTIVE	CDIP	J	14	25	Non-RoHS & Green	Call TI	Level-1-NA-UNLIM	-55 to 125	LM139AJRLQMLV 5962R9673802VCA Q	<a href="#">Samples</a>
LM139AJRQMLV	ACTIVE	CDIP	J	14	25	Non-RoHS & Green	Call TI	Level-1-NA-UNLIM	-55 to 125	LM139AJRQMLV 5962R9673801VCA Q	<a href="#">Samples</a>
LM139AW-QMLV	ACTIVE	CFP	NAD	14	19	Non-RoHS & Green	Call TI	Level-1-NA-UNLIM	-55 to 125	LM139AW- QMLV Q 5962-96738 01VDA ACO 01VDA >T	<a href="#">Samples</a>
LM139AW-SMD	ACTIVE	CFP	NAD	14	19	Non-RoHS & Green	Call TI	Level-1-NA-UNLIM	-55 to 125	LM139AW -SMD Q 5962-87739 01DA ACO 01DA >T	<a href="#">Samples</a>
LM139AW/883	ACTIVE	CFP	NAD	14	19	Non-RoHS & Green	Call TI	Level-1-NA-UNLIM	-55 to 125	LM139AW /883 Q ACO /883 Q >T	<a href="#">Samples</a>
LM139AWG-QMLV	ACTIVE	CFP	NAC	14	88	Non-RoHS & Green	Call TI	Level-1-NA-UNLIM	-55 to 125	LM139AWG- QMLV Q	<a href="#">Samples</a>

Orderable Device	Status (1)	Package Type	Package Drawing	Pins	Package Qty	Eco Plan (2)	Lead finish/ Ball material (6)	MSL Peak Temp (3)	Op Temp (°C)	Device Marking (4/5)	Samples
										5962-96738 01VXA ACO 01VXA >T	
LM139AWG-SMD	ACTIVE	CFP	NAC	14	88	Non-RoHS & Green	Call TI	Level-1-NA-UNLIM	-55 to 125	LM139AWG -SMD Q 5962-87739 01XA ACO 01XA >T	<a href="#">Samples</a>
LM139AWG/883	ACTIVE	CFP	NAC	14	88	Non-RoHS & Green	Call TI	Level-1-NA-UNLIM	-55 to 125	LM139AWG /883 Q ACO 5962-87739 /883 Q >T	<a href="#">Samples</a>
LM139AWGRLQMLV	ACTIVE	CFP	NAC	14	88	Non-RoHS & Green	Call TI	Level-1-NA-UNLIM	-55 to 125	LM139AWGRL QMLV Q 5962R96738 02VXA ACO 02VXA >T	<a href="#">Samples</a>
LM139AWGRQMLV	ACTIVE	CFP	NAC	14	88	Non-RoHS & Green	Call TI	Level-1-NA-UNLIM	-55 to 125	LM139AWGR QMLV Q 5962R96738 01VXA ACO 01VXA >T	<a href="#">Samples</a>
LM139AWRLQMLV	ACTIVE	CFP	NAD	14	19	Non-RoHS & Green	Call TI	Level-1-NA-UNLIM	-55 to 125	LM139AWRL QMLV Q 5962R96738 02VDA ACO 02VDA >T	<a href="#">Samples</a>
LM139AWRQMLV	ACTIVE	CFP	NAD	14	19	Non-RoHS & Green	Call TI	Level-1-NA-UNLIM	-55 to 125	LM139AWR QMLV Q 5962R96738 (01VDA ACO, 02VDA ACO) (01VDA >T, 02VDA > T)	<a href="#">Samples</a>
LM139E/883	ACTIVE	LCCC	NAJ	20	50	RoHS & Green	Call TI	Level-1-NA-UNLIM	-55 to 125	LM139E /883 Q ACO /883 Q >T	<a href="#">Samples</a>
LM139J/883	ACTIVE	CDIP	J	14	25	Non-RoHS & Green	Call TI	Level-1-NA-UNLIM	-55 to 125	LM139J/883 Q	<a href="#">Samples</a>

(1) The marketing status values are defined as follows:

**ACTIVE:** Product device recommended for new designs.

**LIFEBUY:** TI has announced that the device will be discontinued, and a lifetime-buy period is in effect.

**NRND:** Not recommended for new designs. Device is in production to support existing customers, but TI does not recommend using this part in a new design.

**PREVIEW:** Device has been announced but is not in production. Samples may or may not be available.

**OBSOLETE:** TI has discontinued the production of the device.

(2) **RoHS:** TI defines "RoHS" to mean semiconductor products that are compliant with the current EU RoHS requirements for all 10 RoHS substances, including the requirement that RoHS substance do not exceed 0.1% by weight in homogeneous materials. Where designed to be soldered at high temperatures, "RoHS" products are suitable for use in specified lead-free processes. TI may reference these types of products as "Pb-Free".

**RoHS Exempt:** TI defines "RoHS Exempt" to mean products that contain lead but are compliant with EU RoHS pursuant to a specific EU RoHS exemption.

**Green:** TI defines "Green" to mean the content of Chlorine (Cl) and Bromine (Br) based flame retardants meet JS709B low halogen requirements of  $\leq 1000$ ppm threshold. Antimony trioxide based flame retardants must also meet the  $\leq 1000$ ppm threshold requirement.

(3) MSL, Peak Temp. - The Moisture Sensitivity Level rating according to the JEDEC industry standard classifications, and peak solder temperature.

(4) There may be additional marking, which relates to the logo, the lot trace code information, or the environmental category on the device.

(5) Multiple Device Markings will be inside parentheses. Only one Device Marking contained in parentheses and separated by a "~" will appear on a device. If a line is indented then it is a continuation of the previous line and the two combined represent the entire Device Marking for that device.

(6) Lead finish/Ball material - Orderable Devices may have multiple material finish options. Finish options are separated by a vertical ruled line. Lead finish/Ball material values may wrap to two lines if the finish value exceeds the maximum column width.

**Important Information and Disclaimer:**The information provided on this page represents TI's knowledge and belief as of the date that it is provided. TI bases its knowledge and belief on information provided by third parties, and makes no representation or warranty as to the accuracy of such information. Efforts are underway to better integrate information from third parties. TI has taken and continues to take reasonable steps to provide representative and accurate information but may not have conducted destructive testing or chemical analysis on incoming materials and chemicals. TI and TI suppliers consider certain information to be proprietary, and thus CAS numbers and other limited information may not be available for release.

In no event shall TI's liability arising out of such information exceed the total purchase price of the TI part(s) at issue in this document sold by TI to Customer on an annual basis.

**OTHER QUALIFIED VERSIONS OF LM139AQMML, LM139AQMML-SP :**

● Military : [LM139AQMML](#)

● Space : [LM139AQMML-SP](#)

NOTE: Qualified Version Definitions:

- Military - QML certified for Military and Defense Applications
- Space - Radiation tolerant, ceramic packaging and qualified for use in Space-based application

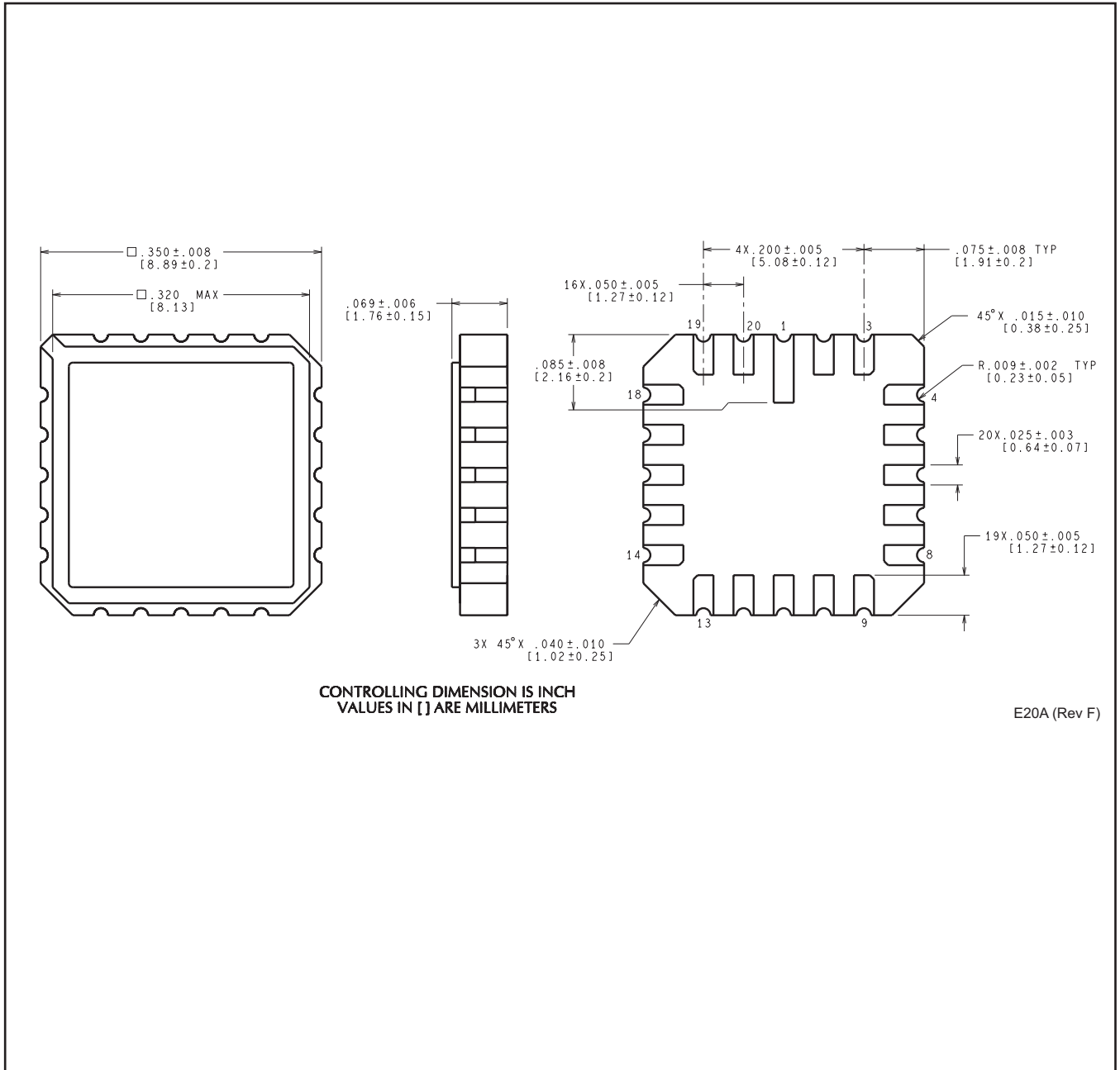


**TUBE**


\*All dimensions are nominal

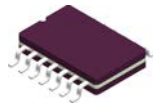
Device	Package Name	Package Type	Pins	SPQ	L (mm)	W (mm)	T (μm)	B (mm)
5962-9673801VDA	NAD	CFP	14	19	502	23	9398	9.78
5962R9673801VCA	J	CDIP	14	25	506.98	15.24	13440	NA
5962R9673801VDA	NAD	CFP	14	19	502	23	9398	9.78
5962R9673802VCA	J	CDIP	14	25	506.98	15.24	13440	NA
5962R9673802VDA	NAD	CFP	14	19	502	23	9398	9.78
LM139AE/883	NAJ	LCCC	20	50	470	11	3810	0
LM139AJ/883	J	CDIP	14	25	506.98	15.24	13440	NA
LM139AJRLQMLV	J	CDIP	14	25	506.98	15.24	13440	NA
LM139AJRQMLV	J	CDIP	14	25	506.98	15.24	13440	NA
LM139AW-QMLV	NAD	CFP	14	19	502	23	9398	9.78
LM139AW-SMD	NAD	CFP	14	19	502	23	9398	9.78
LM139AW/883	NAD	CFP	14	19	502	23	9398	9.78
LM139AWRLQMLV	NAD	CFP	14	19	502	23	9398	9.78
LM139AWRQMLV	NAD	CFP	14	19	502	23	9398	9.78
LM139E/883	NAJ	LCCC	20	50	470	11	3810	0
LM139J/883	J	CDIP	14	25	506.98	15.24	13440	NA

NAJ0020A



CONTROLLING DIMENSION IS INCH  
VALUES IN [ ] ARE MILLIMETERS

E20A (Rev F)

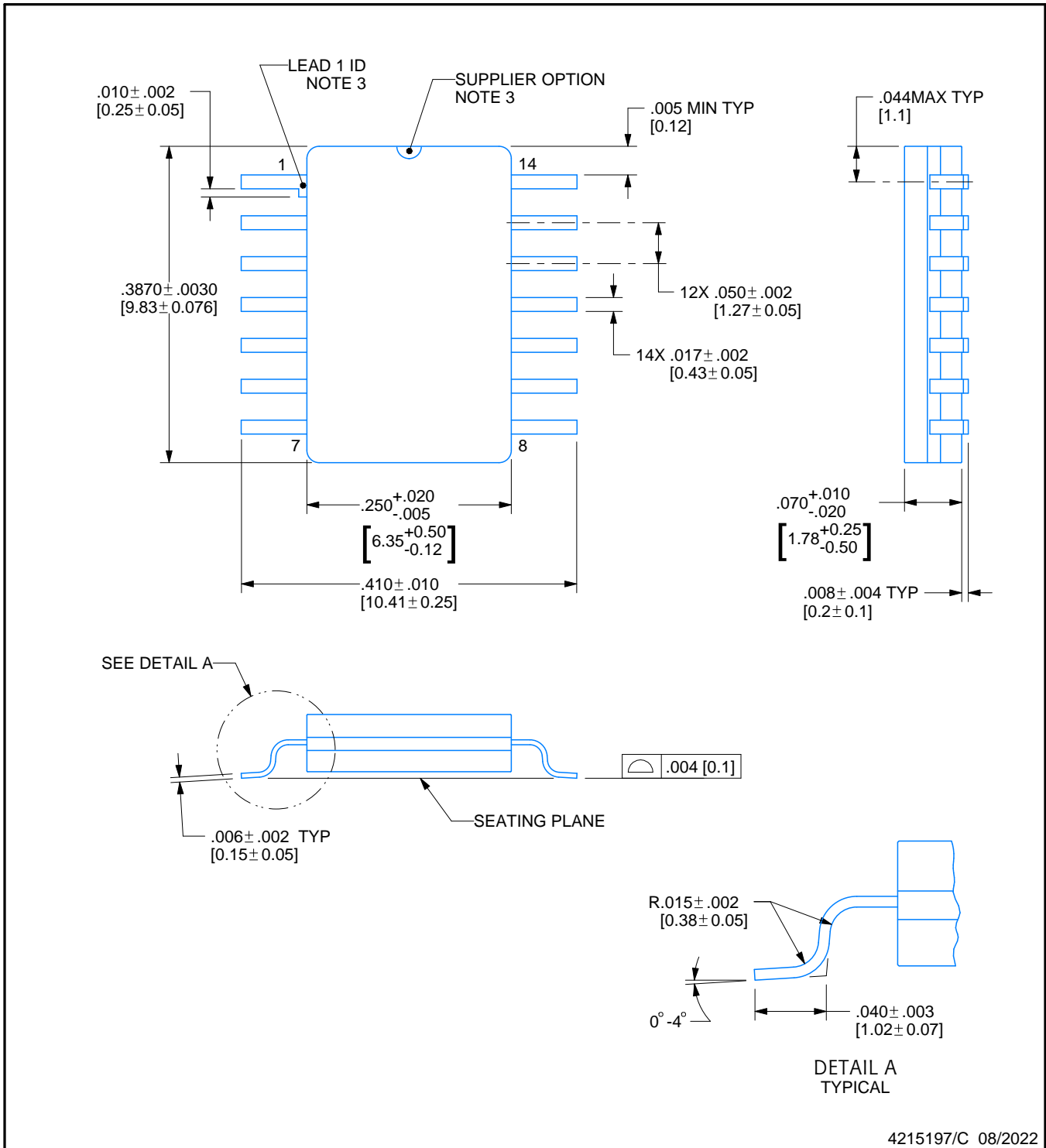


# PACKAGE OUTLINE

## NAC0014A

## CERPACK

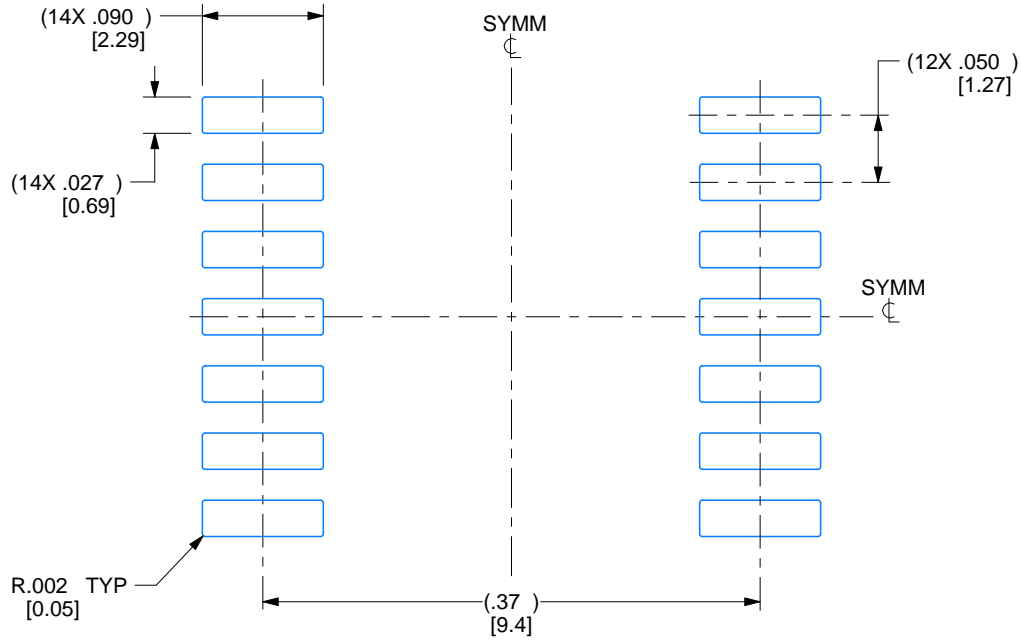
CERAMIC FLATPACK



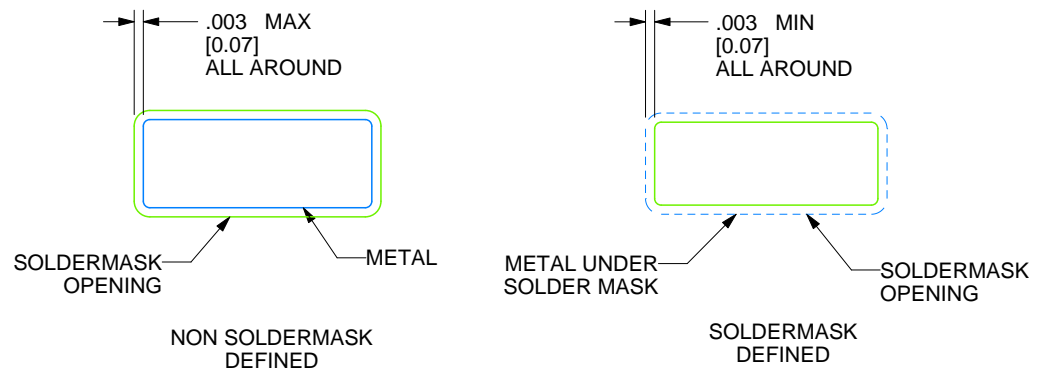
4215197/C 08/2022

### NOTES:

- Controlling dimension is Inch. Values in [ ] are millimeters. Dimensions in ( ) for reference only.
- For solder thickness and composition, see the "Lead Finish Composition/Thickness" link in the packaging section of the Texas Instruments website
- Lead 1 identification shall be:
  - A notch or other mark within this area
  - A tab on lead 1, either side
- No JEDEC registration as of December 2021



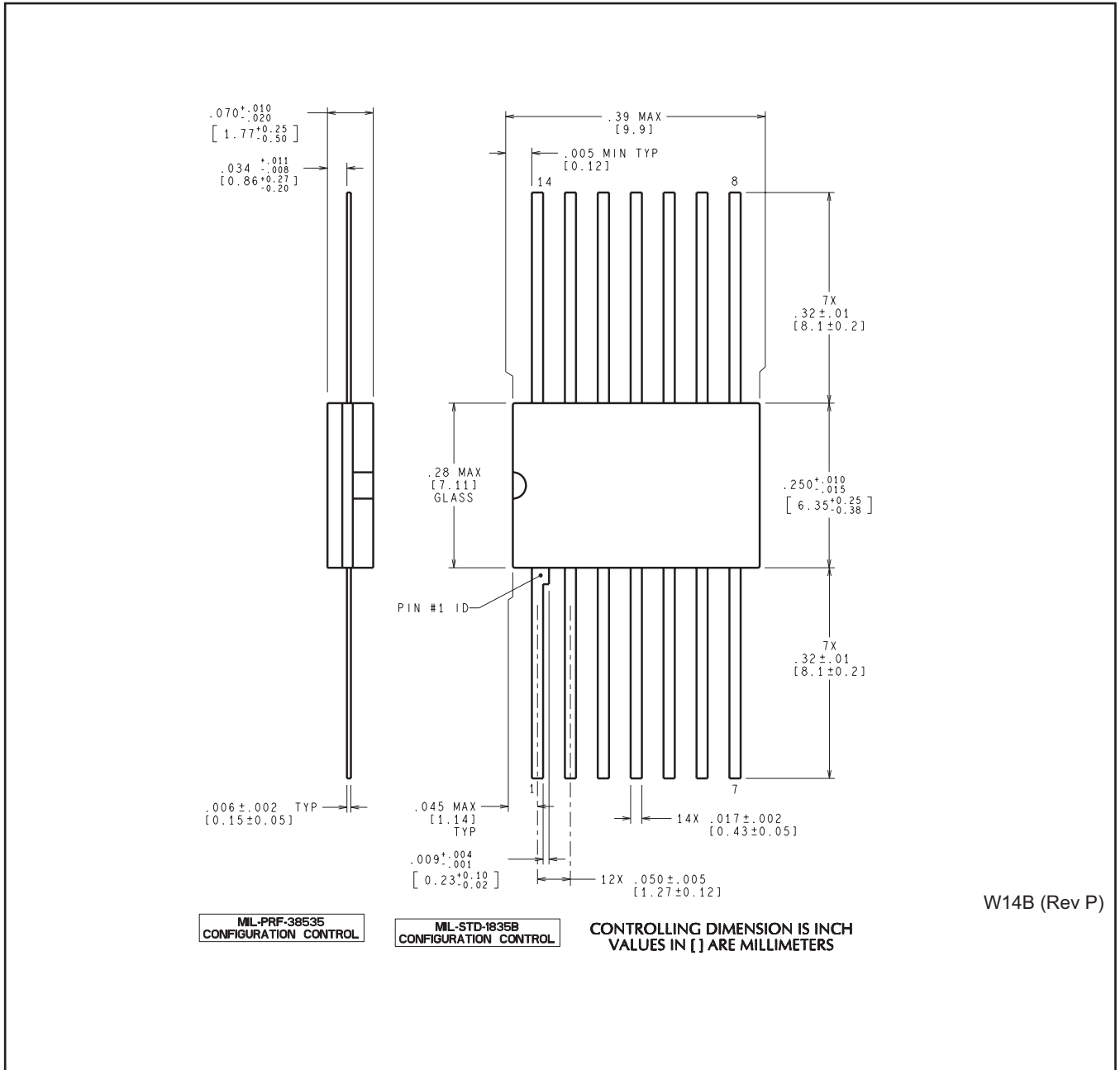
RECOMMENDED LAND PATTERN



# REVISIONS

REV	DESCRIPTION	E.C.N.	DATE	BY/APP'D
A	RELEASE TO DOCUMENT CONTROL	2197878	12/30/2021	DAVID CHIN / ANIS FAUZI
B	NO CHANGE TO DRAWING; REVISION FOR YODA RELEASE;	2198833	02/15/2022	K. SINCERBOX
C	.3870± .0030 WAS .39000± .00012;	2200916	08/08/2022	D. CHIN / K. SINCERBOX

NAD0014B



J 14

**GENERIC PACKAGE VIEW**  
**CDIP - 5.08 mm max height**  
CERAMIC DUAL IN LINE PACKAGE



Images above are just a representation of the package family, actual package may vary.  
Refer to the product data sheet for package details.

4040083-5/G

J0014A



# PACKAGE OUTLINE

CDIP - 5.08 mm max height

CERAMIC DUAL IN LINE PACKAGE



4214771/A 05/2017

NOTES:

1. All controlling linear dimensions are in inches. Dimensions in brackets are in millimeters. Any dimension in brackets or parenthesis are for reference only. Dimensioning and tolerancing per ASME Y14.5M.
2. This drawing is subject to change without notice.
3. This package is hermetically sealed with a ceramic lid using glass frit.
4. Index point is provided on cap for terminal identification only and on press ceramic glass frit seal only.
5. Falls within MIL-STD-1835 and GDIP1-T14.



# EXAMPLE BOARD LAYOUT

J0014A

CDIP - 5.08 mm max height

CERAMIC DUAL IN LINE PACKAGE



LAND PATTERN EXAMPLE  
NON-SOLDER MASK DEFINED  
SCALE: 5X



4214771/A 05/2017

## IMPORTANT NOTICE AND DISCLAIMER

TI PROVIDES TECHNICAL AND RELIABILITY DATA (INCLUDING DATA SHEETS), DESIGN RESOURCES (INCLUDING REFERENCE DESIGNS), APPLICATION OR OTHER DESIGN ADVICE, WEB TOOLS, SAFETY INFORMATION, AND OTHER RESOURCES "AS IS" AND WITH ALL FAULTS, AND DISCLAIMS ALL WARRANTIES, EXPRESS AND IMPLIED, INCLUDING WITHOUT LIMITATION ANY IMPLIED WARRANTIES OF MERCHANTABILITY, FITNESS FOR A PARTICULAR PURPOSE OR NON-INFRINGEMENT OF THIRD PARTY INTELLECTUAL PROPERTY RIGHTS.

These resources are intended for skilled developers designing with TI products. You are solely responsible for (1) selecting the appropriate TI products for your application, (2) designing, validating and testing your application, and (3) ensuring your application meets applicable standards, and any other safety, security, regulatory or other requirements.

These resources are subject to change without notice. TI grants you permission to use these resources only for development of an application that uses the TI products described in the resource. Other reproduction and display of these resources is prohibited. No license is granted to any other TI intellectual property right or to any third party intellectual property right. TI disclaims responsibility for, and you will fully indemnify TI and its representatives against, any claims, damages, costs, losses, and liabilities arising out of your use of these resources.

TI's products are provided subject to [TI's Terms of Sale](#) or other applicable terms available either on [ti.com](https://www.ti.com) or provided in conjunction with such TI products. TI's provision of these resources does not expand or otherwise alter TI's applicable warranties or warranty disclaimers for TI products.

TI objects to and rejects any additional or different terms you may have proposed.

Mailing Address: Texas Instruments, Post Office Box 655303, Dallas, Texas 75265  
Copyright © 2025, Texas Instruments Incorporated