

LM723JAN Voltage Regulator

 Check for Samples: [LM723JAN](#)

FEATURES

- **150 mA Output Current without External Pass Transistor**
- **Output Currents in Excess of 10A Possible by Adding External Transistors**
- **Input Voltage 40V Max**
- **Output Voltage Adjustable from 2V to 37V**
- **Can be Used as Either a Linear or a Switching Regulator**

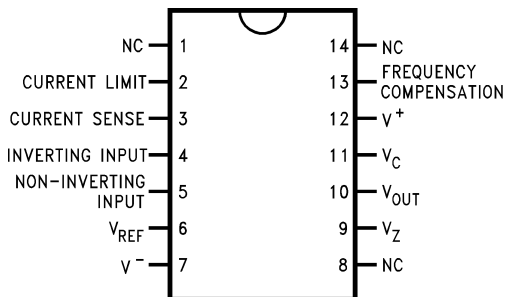
DESCRIPTION

The LM723 is a voltage regulator designed primarily for series regulator applications. By itself, it will supply output currents up to 150 mA; but external transistors can be added to provide any desired load current. The circuit features extremely low standby current drain, and provision is made for either linear or foldback current limiting.

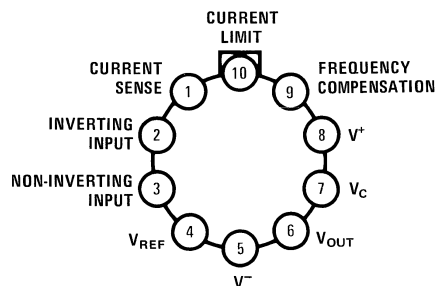
The LM723 is also useful in a wide range of other applications such as a shunt regulator, a current regulator or a temperature controller.

Connection Diagram

NOTE: Pin 5 connected to case.



**Figure 1. CDIP Package
Top View
See Package J0014A**



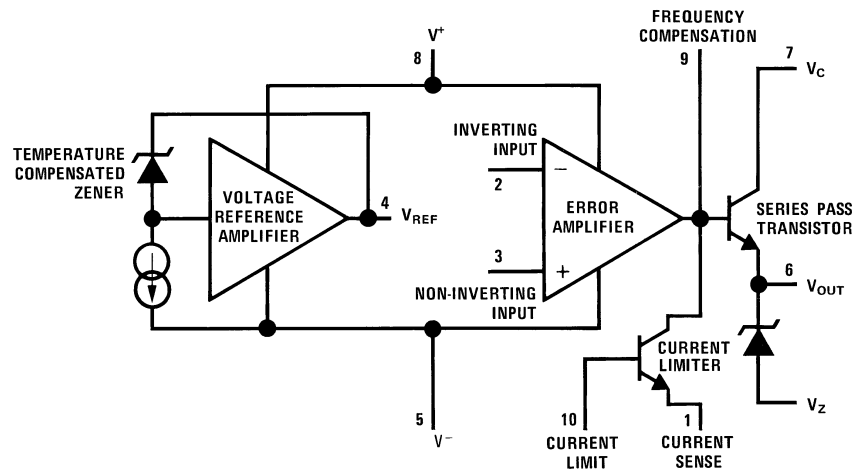
**Figure 2. Metal Can Package
Top View
See Package LME0010C**



Please be aware that an important notice concerning availability, standard warranty, and use in critical applications of Texas Instruments semiconductor products and disclaimers thereto appears at the end of this data sheet.

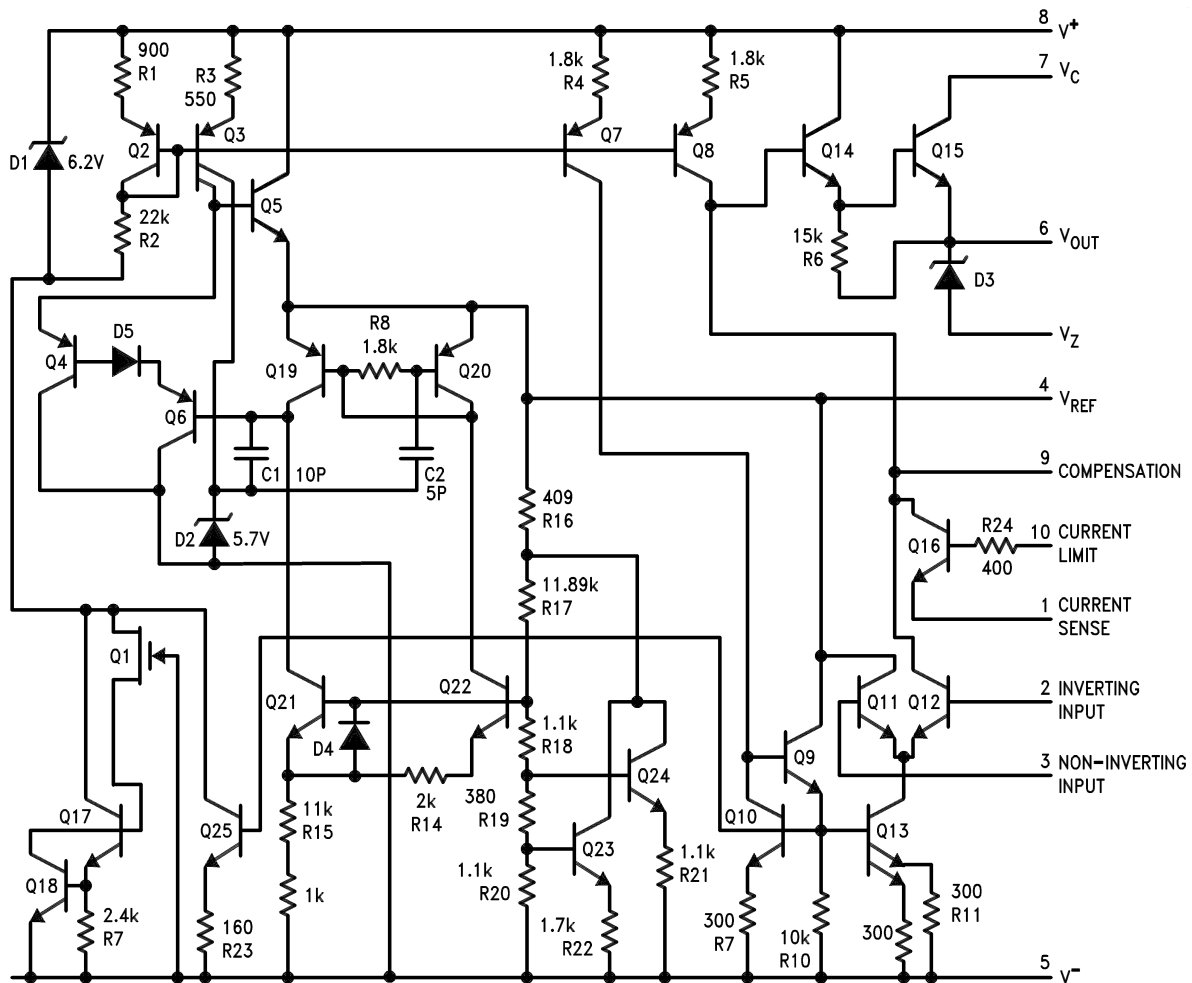
All trademarks are the property of their respective owners.

Equivalent Circuit



Pin numbers refer to metal can package.

Schematic Diagram





These devices have limited built-in ESD protection. The leads should be shorted together or the device placed in conductive foam during storage or handling to prevent electrostatic damage to the MOS gates.

Absolute Maximum Ratings⁽¹⁾

Pulse Voltage from V ⁺ to V ⁻ (50 ms)		50V
Continuous Voltage from V ⁺ to V ⁻		40V
Input-Output Voltage Differential		40V
Differential Input Voltage		±5V
Voltage between non-inverting input and V ⁻		+8V
Current from V _Z		25 mA
Current from V _{REF}		15 mA
Internal Power Dissipation (T _A = 125°C)	Metal Can ⁽²⁾	300 mW
	CDIP ⁽²⁾	400 mW
Maximum T _J		+175°C
Storage Temperature Range		-65°C ≤ T _A ≤ +150°C
Lead Temperature (Soldering, 4 sec. max.)		300°C
Thermal Resistance		
θ _{JA}	CDIP (Still Air)	100°C/W
	CDIP (500LF/ Min Air flow)	61°C/W
	Metal Can (Still Air)	156°C/W
	Metal Can (500LF/ Min Air flow)	89°C/W
θ _{JC}	CDIP	22°C/W
	Metal Can	37°C/W
ESD Tolerance ⁽³⁾		1200V

- (1) "Absolute Maximum Ratings" indicate limits beyond which damage to the device may occur. Operating Ratings indicate conditions for which the device is functional, but do not ensure specific performance limits. For ensured specifications and test conditions, see the Electrical Characteristics. The ensured specifications apply only for the test conditions listed. Some performance characteristics may degrade when the device is not operated under the listed test conditions.
- (2) The maximum power dissipation for these devices must be derated at elevated temperatures and is dictated by T_{JMAX}, θ_{JA}, and the ambient temperature, T_A. The maximum available power dissipation at any temperature is P_d = (T_{JMAX} - T_A)/θ_{JA} or the number given in the Absolute Maximum Ratings, whichever is less. See derating curves for maximum power rating above 25°C.
- (3) Human body model, 1.5 kΩ in series with 100 pF.

Recommended Operating Conditions

Input Voltage Range	9.5V to 40V _{DC}
Output Voltage Range	2V to 37V _{DC}
Input-Output Voltage Differential	2.5 V to 38V _{DC}
Ambient Operating Temperature Range	-55°C ≤ T _A ≤ +125°C

Quality Conformance Inspection

MIL-STD-883, Method 5004 and Method 5005

Subgroup	Description	Temp (°C)
1	Static tests at	+25
2	Static tests at	+125
3	Static tests at	-55
4	Dynamic tests at	+25
5	Dynamic tests at	+125
6	Dynamic tests at	-55
7	Functional tests at	+25
8A	Functional tests at	+125
8B	Functional tests at	-55

Subgroup	Description	Temp (°C)
9	Switching tests at	+25
10	Switching tests at	+125
11	Switching tests at	-55

Electrical Characteristics

DC Parameters ⁽¹⁾

Symbol	Parameter	Conditions	Notes	Min	Max	Units	Sub-groups		
V _{Rline}	Line Regulation	12V ≤ V _{IN} ≤ 15V, V _{OUT} = 5V, I _L = 1mA		-0.1	0.1	%V _{OUT}	1		
				-0.2	0.2	%V _{OUT}	2		
				-0.3	0.3	%V _{OUT}	3		
			12V ≤ V _{IN} ≤ 40V, V _{OUT} = 2V, I _L = 1mA		-0.2	0.2	%V _{OUT}	1	
				9.5V ≤ V _{IN} ≤ 40V, V _{OUT} = 5V, I _L = 1mA		-0.3	0.3	%V _{OUT}	1
					12V ≤ V _{IN} ≤ 15V, V _{OUT} = 5V, I _L = 1mA		-10. 0	+10. 0	mV
						-20. 0	+20. 0	mV	2
			-30. 0	+30. 0		mV	3		
V _{Rload}	Load Regulation	1mA ≤ I _L ≤ 50mA, V _{IN} = 12V, V _{OUT} = 5V		-0.1 5	0.15	%V _{OUT}	1		
				-0.4	0.4	%V _{OUT}	2		
				-0.6	0.6	%V _{OUT}	3		
			1mA ≤ I _L ≤ 10mA, V _{IN} = 40V, V _{OUT} = 37V		-0.5	0.5	%V _{OUT}	1	
				6mA ≤ I _L ≤ 12mA, V _{IN} = 10V, V _{OUT} = 7.5V		-0.2	0.2	%V _{OUT}	1
						-15. 0	+15. 0	mV	1
						-40. 0	+40. 0	mV	2
				-60. 0	+60. 0	mV	3		
V _{REF}	Voltage Reference	I _{REF} = 1mA, V _{IN} = 12V		6.95	7.35	V	1		
				6.9	7.4	V	2, 3		
I _{SCD}	Standby Current	V _{IN} = 30V, I _L = I _{REF} = 0, V _{OUT} = V _{REF}		0.5	3	mA	1		
				0.5	2.4	mA	2		
				0.5	3.5	mA	3		
I _{OS}	Short Circuit Current	V _{OUT} = 5V, V _{IN} = 12V, R _{SC} = 10Ω, R _L = 0		45	85	mA	1		
V _Z	Zener Voltage	I _Z = 1mA		(2)(3) 5.58	6.82	V	1		
V _{OUT}	Output Voltage	V _{IN} = 12V, V _{OUT} = 5V, I _L = 1mA	(4)	4.5	5.5	V	1, 2, 3		

(1) Unless otherwise specified, T_A = 25°C, V_{IN} = V⁺ = V_C = 12V, V⁻ = 0, V_{OUT} = 5V, I_L = 1 mA, R_{SC} = 0, C₁ = 100 pF, C_{REF} = 0 and divider impedance as seen by error amplifier ≤ 10 kΩ connected as shown in [Figure 14](#). Line and load regulation specifications are given for the condition of constant chip temperature. Temperature drifts must be taken into account separately for high dissipation conditions.

(2) For metal can applications where V_Z is required, an external 6.2V zener diode should be connected in series with V_{OUT}.

(3) Tested for 14 – lead DIP only.

(4) Setup test for Temp. Coeff.

Electrical Characteristics (continued)

 DC Parameters ⁽¹⁾

Symbol	Parameter	Conditions	Notes	Min	Max	Units	Sub-groups
Delta V_{OUT} / Delta T	Average Temperature Coefficient of Output Voltage	$25^{\circ}\text{C} \leq T_A \leq +125^{\circ}\text{C}$, $V_{IN} = 12\text{V}$, $V_{OUT} = 5\text{V}$, $I_L = 1\text{mA}$	(5)	-0.0 1	0.01	%/°C	8A
		$-55^{\circ}\text{C} \leq T_A \leq +25^{\circ}\text{C}$, $V_{IN} = 12\text{V}$, $V_{OUT} = 5\text{V}$, $I_L = 1\text{mA}$	(5)	-0.0 15	0.01 5	%/°C	8B
Delta V_{OUT} / Delta V_{IN}	Ripple Rejection	$f = 10\text{KHz}$, $C_{REF} = 0\text{F}$, $V_{INS} = 2V_{RMS}$		64		dB	4
		$f = 10\text{KHz}$, $C_{REF} = 5\mu\text{F}$, $V_{INS} = 2V_{RMS}$		76		dB	4
N_O	Output Noise Voltage	$100\text{Hz} \leq f \leq 10\text{KHz}$, $V_{INS} = 0V_{RMS}$, $C_{REF} = 0\mu\text{F}$			120	μV_{RMS}	4
		$100\text{Hz} \leq f \leq 10\text{KHz}$, $V_{INS} = 0V_{RMS}$, $C_{REF} = 5\mu\text{F}$			7	μV_{RMS}	4
Delta V_{OUT} / Delta V_{IN}	Line Transient Response	$V_{IN} = 12\text{V}$, $V_{OUT} = 5\text{V}$, $I_L = 1\text{mA}$, $C_{REF} = 5\mu\text{F}$, $R_{SC} = 0\Omega$, Delta $V_{IN} = 3\text{V}$ for $25\mu\text{sec}$		0	10	mV/V	4
Delta V_{OUT} / Delta I_L	Load Transient Response	$V_{IN} = 12\text{V}$, $V_{OUT} = 5\text{V}$, $I_L = 40\text{mA}$, $C_{REF} = 5\mu\text{F}$, $R_{SC} = 0\Omega$, Delta $I_L = 10\text{mA}$ for $25\mu\text{sec}$		-1.5	0	mV/mA	4

(5) Calculated parameter

DC Parameters: Drift Values

Delta calculations performed on JAN S and QMLV devices at Group B, Subgroup 5, only.

Symbol	Parameters	Conditions	Notes	Min	Max	Unit	Sub-groups
V_{Rline}	Line Regulation	$12\text{V} \leq V_{IN} \leq 15\text{V}$, $V_{OUT} = 5\text{V}$, $I_L = 1\text{mA}$, $\pm 1\text{mV}$, or $\pm 15\%$ (whichever is greater)		-1.0	1.0	mV	1
V_{Rload}	Load Regulation	$1\text{mA} \leq I_L \leq 50\text{mA}$, $V_{IN} = 12\text{V}$, $V_{OUT} = 5\text{V}$, $\pm 1\text{mV}$, or $\pm 20\%$ (whichever is greater)		-1.0	1.0	mV	1
V_{REF}	Reference Voltage	$I_{REF} = 1\text{mA}$, $V_{IN} = 12\text{V}$		-15	15	mV	1
I_{SCD}	Standby Current Drain	$V_{IN} = 30\text{V}$, $I_L = I_{REF} = 0$, $V_{OUT} = V_{REF}$		-10	10	%	1

Typical Performance Characteristics

Load Regulation Characteristics with Current Limiting

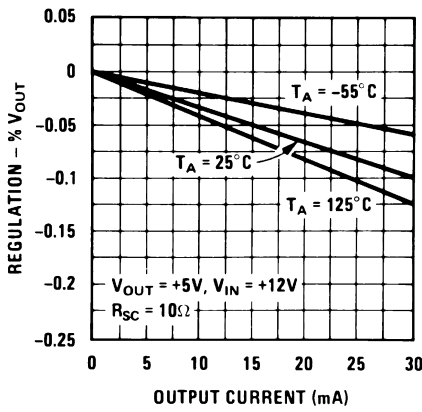


Figure 3.

Load Regulation Characteristics with Current Limiting

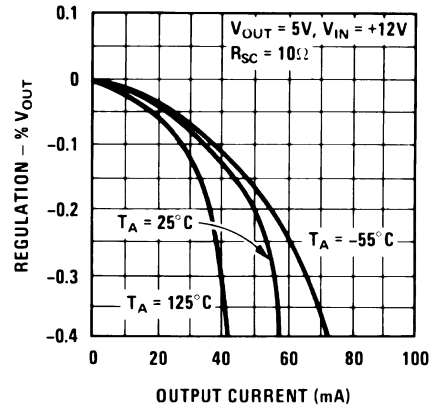


Figure 4.

Load & Line Regulation vs Input-Output Voltage Differential

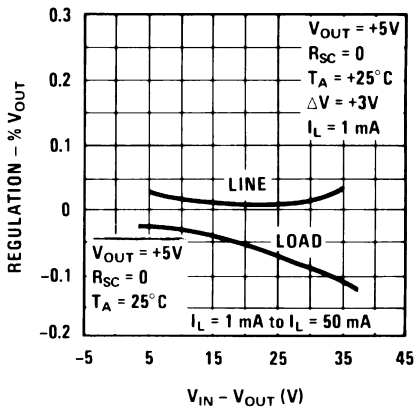


Figure 5.

Current Limiting Characteristics

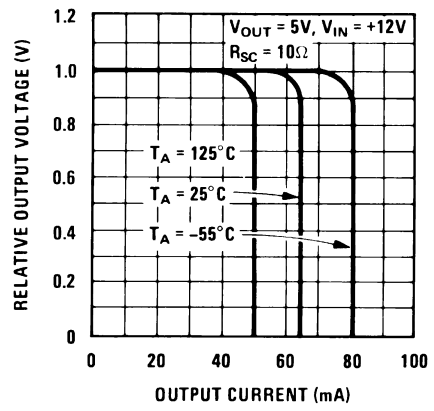


Figure 6.

Current Limiting Characteristics vs Junction Temperature

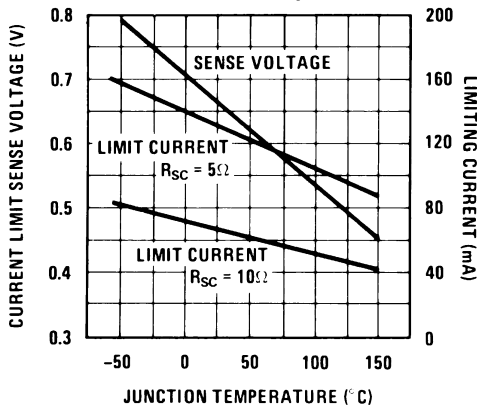


Figure 7.

Standby Current Drain vs Input Voltage

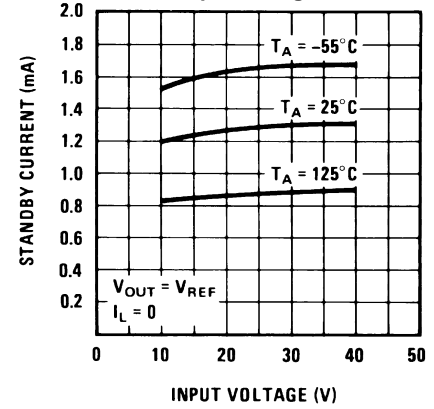


Figure 8.

Typical Performance Characteristics (continued)

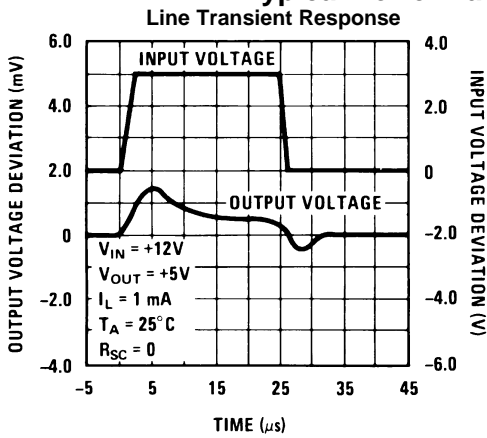


Figure 9.

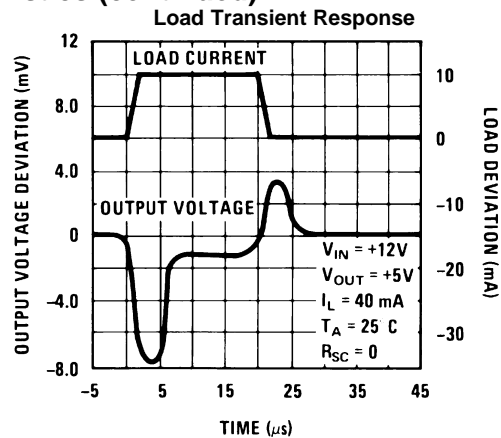


Figure 10.

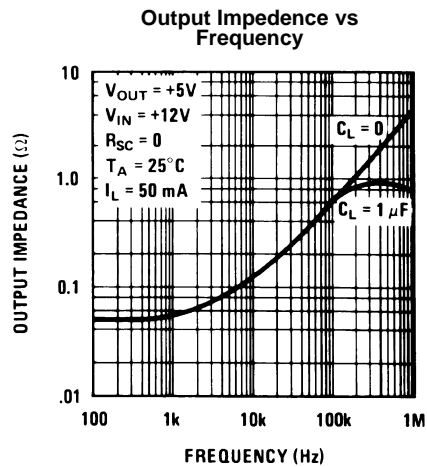


Figure 11.

Maximum Power Ratings

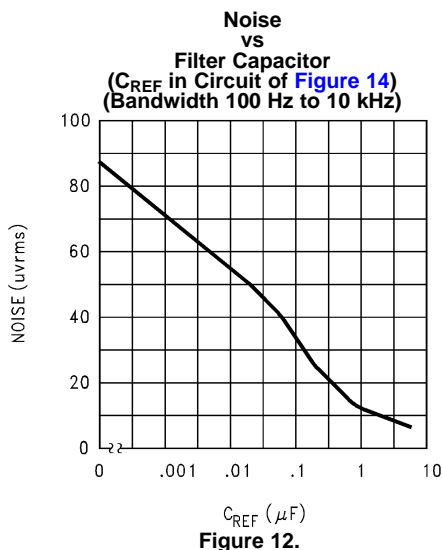


Figure 12.

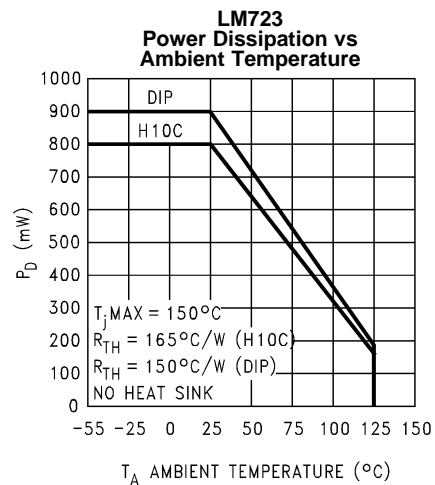


Figure 13.

Table 1. Resistor Values (kΩ) for Standard Output Voltage

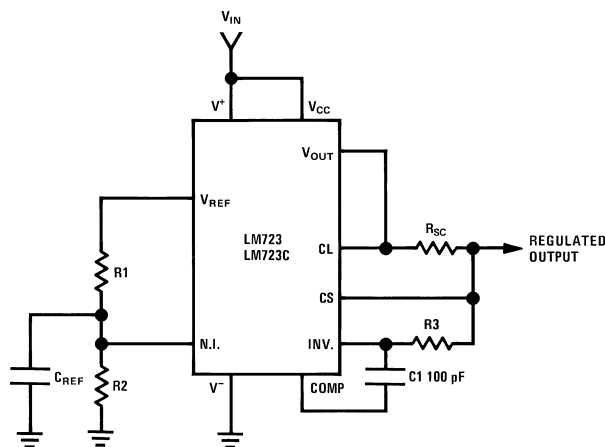
Positive Output Voltage	Applicable Figures ⁽¹⁾	Fixed Output ±5%		Output Adjustable ±10% ⁽²⁾			Negative Output Voltage	Applicable Figures	Fixed Output ±5%		5% Output Adjustable ±10%		
		R1	R2	R1	P1	R2			R1	R2	R1	P1	R2
+3.0	Figure 14, Figure 18, Figure 19, Figure 22, Figure 25 (Figure 17)	4.12	3.01	1.8	0.5	1.2	+100	Figure 20	3.57	102	2.2	10	91
+3.6	Figure 14, Figure 18, Figure 19, Figure 22, Figure 25 (Figure 17)	3.57	3.65	1.5	0.5	1.5	+250	Figure 20	3.57	255	2.2	10	240
+5.0	Figure 14, Figure 18, Figure 19, Figure 22, Figure 25 (Figure 17)	2.15	4.99	0.75	0.5	2.2	-6 ⁽³⁾	Figure 16, (Figure 23)	3.57	2.43	1.2	0.5	0.75
+6.0	Figure 14, Figure 18, Figure 19, Figure 22, Figure 25 (Figure 17)	1.15	6.04	0.5	0.5	2.7	-9	Figure 16, Figure 23	3.48	5.36	1.2	0.5	2.0
+9.0	Figure 15, Figure 17, (Figure 18, Figure 19, Figure 22, Figure 25)	1.87	7.15	0.75	1.0	2.7	-12	Figure 16, Figure 23	3.57	8.45	1.2	0.5	3.3
+12	Figure 15, Figure 17, (Figure 18, Figure 19, Figure 22, Figure 25)	4.87	7.15	2.0	1.0	3.0	-15	Figure 16, Figure 23	3.65	11.5	1.2	0.5	4.3
+15	Figure 15, Figure 17, (Figure 18, Figure 19, Figure 22, Figure 25)	7.87	7.15	3.3	1.0	3.0	-28	Figure 16, Figure 23	3.57	24.3	1.2	0.5	10
+28	Figure 15, Figure 17, (Figure 18, Figure 19, Figure 22, Figure 25)	21.0	7.15	5.6	1.0	2.0	-45	Figure 21	3.57	41.2	2.2	10	33
+45	Figure 20	3.57	48.7	2.2	10	39	-100	Figure 21	3.57	97.6	2.2	10	91
+75	Figure 20	3.57	78.7	2.2	10	68	-250	Figure 21	3.57	249	2.2	10	240

- (1) Figures in parentheses may be used if R1/R2 divider is placed on opposite input of error amp.
(2) Replace R1/R2 in figures with divider shown in Figure 26.
(3) V⁺ and V_{CC} must be connected to a +3V or greater supply.

Table 2. Formulae for Intermediate Output Voltages

Outputs from +2 to +7 volts	Outputs from +4 to +250 volts	Current Limiting
(Figure 14, Figure 17, Figure 18, Figure 19, Figure 22, Figure 25)	(Figure 20)	
$V_{OUT} = \left(V_{REF} \times \frac{R2}{R1 + R2} \right)$	$V_{OUT} = \left(\frac{V_{REF}}{2} \times \frac{R2 - R1}{R1} \right); R3 = R4$	$I_{LIMIT} = \frac{V_{SENSE}}{R_{SC}}$
Outputs from +7 to +37 volts	Outputs from -6 to -250 volts	Foldback Current Limiting
(Figure 15, Figure 17, Figure 18, Figure 19, Figure 22, Figure 25)	(Figure 16, Figure 21, Figure 23)	
$V_{OUT} = \left(V_{REF} \times \frac{R1 + R2}{R2} \right)$	$V_{OUT} = \left(\frac{V_{REF}}{2} \times \frac{R1 + R2}{R1} \right); R3 = R4$	$I_{KNEE} = \left(\frac{V_{OUT} R3}{R_{SC} R4} + \frac{V_{SENSE} (R3 + R4)}{R_{SC} R4} \right)$ $I_{SHORT\ CKT} = \left(\frac{V_{SENSE}}{R_{SC}} \times \frac{R3 + R4}{R4} \right)$

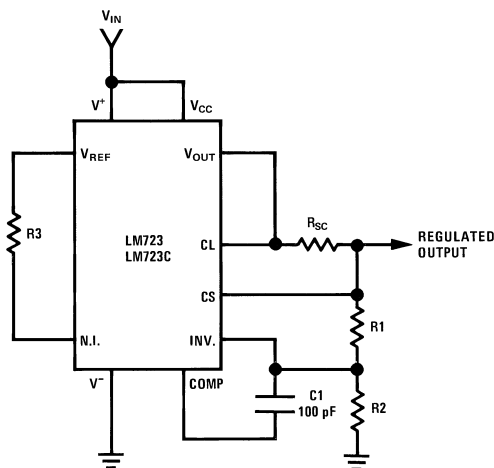
TYPICAL APPLICATIONS



Note: $R3 = \frac{R1 R2}{R1 + R2}$ for minimum temperature drift

Figure 14. Basic Low Voltage Regulator ($V_{OUT} = 2$ to 7 Volts)

Typical Performance	
Regulated Output Voltage	5V
Line Regulation ($\Delta V_{IN} = 3V$)	0.5mV
Load Regulation ($\Delta I_L = 50$ mA)	1.5mV



Note: $R3 = \frac{R1 R2}{R1 + R2}$ for minimum temperature drift.
 R3 may be eliminated for minimum component count.

Figure 15. Basic High Voltage Regulator ($V_{OUT} = 7$ to 37 Volts)

Typical Performance	
Regulated Output Voltage	15V
Line Regulation ($\Delta V_{IN} = 3V$)	1.5 mV
Load Regulation ($\Delta I_L = 50$ mA)	4.5 mV

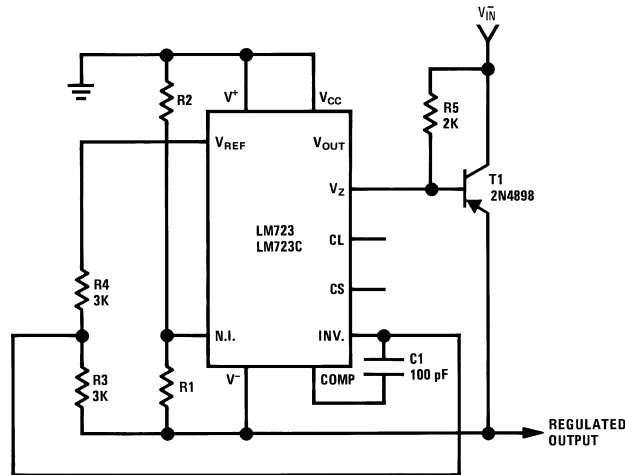


Figure 16. Negative Voltage Regulator

Typical Performance	
Regulated Output Voltage	-15V
Line Regulation ($\Delta V_{IN} = 3V$)	1 mV
Load Regulation ($\Delta I_L = 100 \text{ mA}$)	2 mV

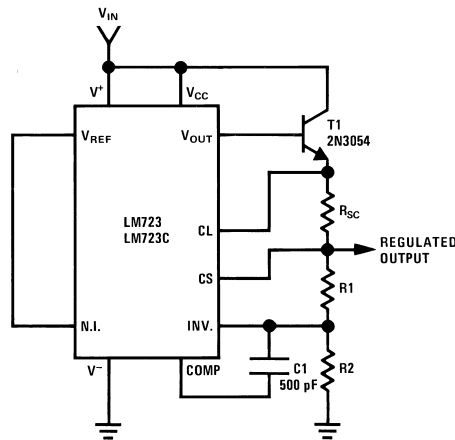


Figure 17. Positive Voltage Regulator (External NPN Pass Transistor)

Typical Performance	
Regulated Output Voltage	+15V
Line Regulation ($\Delta V_{IN} = 3V$)	1.5 mV
Load Regulation ($\Delta I_L = 1A$)	15 mV

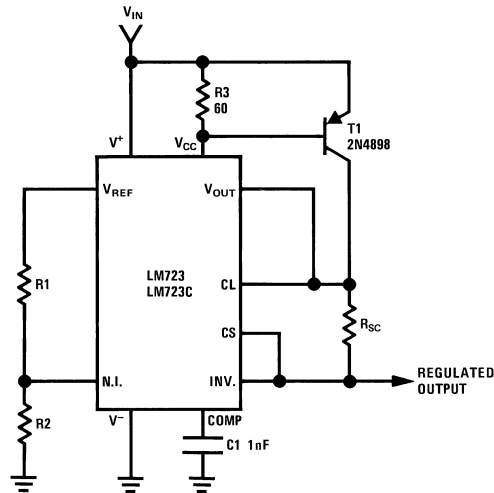


Figure 18. Positive Voltage Regulator (External PNP Pass Transistor)

Typical Performance	
Regulated Output Voltage	+5V
Line Regulation ($\Delta V_{IN} = 3V$)	0.5 mV
Load Regulation ($\Delta I_L = 1A$)	5 mV

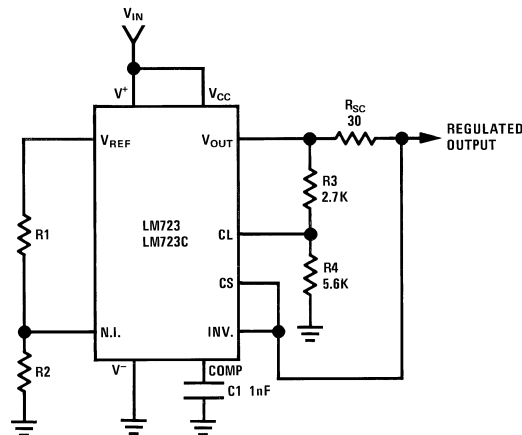


Figure 19. Foldback Current Limiting

Typical Performance	
Regulated Output Voltage	+5V
Line Regulation ($\Delta V_{IN} = 3V$)	0.5 mV
Load Regulation ($\Delta I_L = 10 \text{ mA}$)	1 mV
Short Circuit Current	20 mA

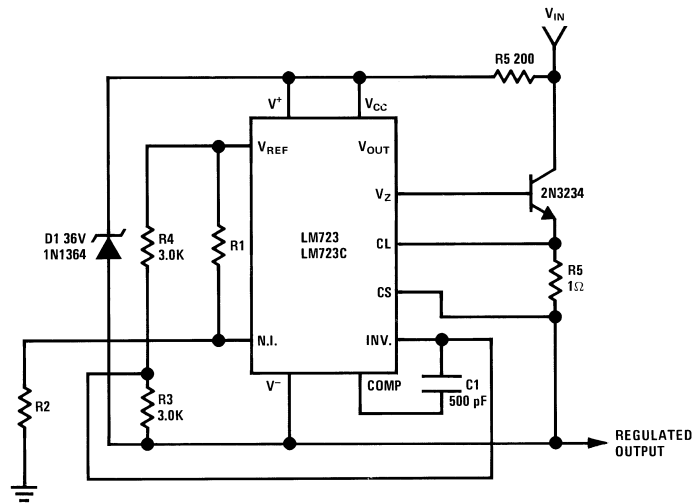


Figure 20. Positive Floating Regulator

Typical Performance	
Regulated Output Voltage	+50V
Line Regulation ($\Delta V_{IN} = 20V$)	15 mV
Load Regulation ($\Delta I_L = 50 \text{ mA}$)	20 mV

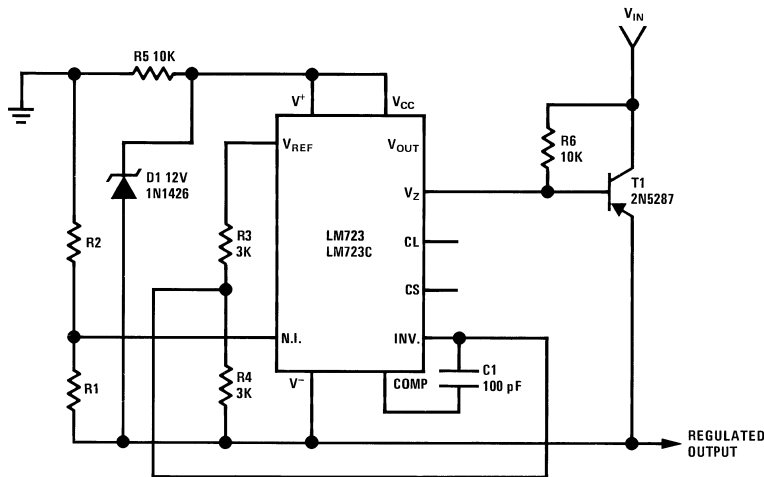
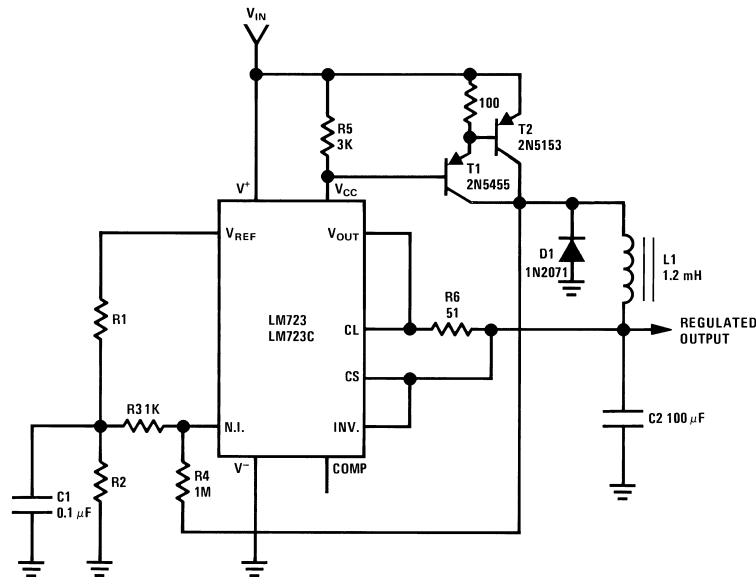


Figure 21. Negative Floating Regulator

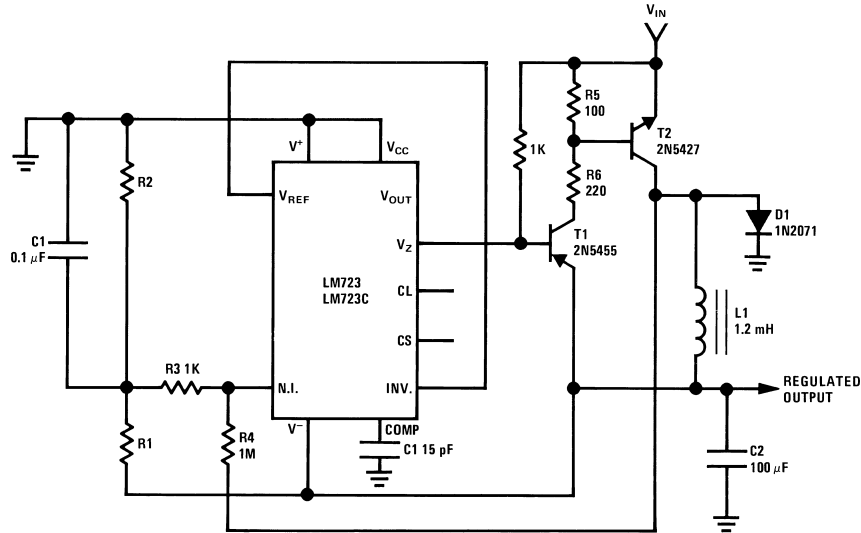
Typical Performance	
Regulated Output Voltage	-100V
Line Regulation ($\Delta V_{IN} = 20V$)	30 mV
Load Regulation ($\Delta I_L = 100 \text{ mA}$)	20 mV



L₁ is 40 turns of No. 20 enameled copper wire wound on Ferroxcube P36/22-3B7 pot core or equivalent with 0.009 in. air gap.

Figure 22. Positive Switching Regulator

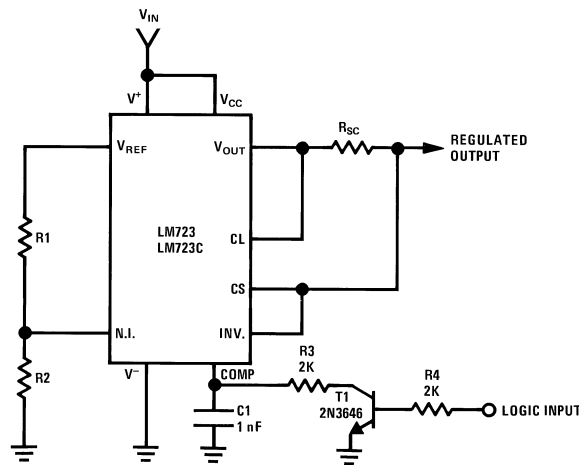
Typical Performance	
Regulated Output Voltage	+5V
Line Regulation ($\Delta V_{IN} = 30V$)	10 mV
Load Regulation ($\Delta I_L = 2A$)	80 mV



L₁ is 40 turns of No. 20 enameled copper wire wound on Ferroxcube P36/22-3B7 pot core or equivalent with 0.009 in. air gap.

Figure 23. Negative Switching Regulator

Typical Performance	
Regulated Output Voltage	-15V
Line Regulation ($\Delta V_{IN} = 20V$)	8 mV
Load Regulation ($\Delta I_L = 2A$)	6 mV



Note: Current limit transistor may be used for shutdown if current limiting is not required.

Figure 24. Remote Shutdown Regulator with Current Limiting

Typical Performance	
Regulated Output Voltage	+5V
Line Regulation ($\Delta V_{IN} = 3V$)	0.5 mV
Load Regulation ($\Delta I_L = 50 \text{ mA}$)	1.5 mV

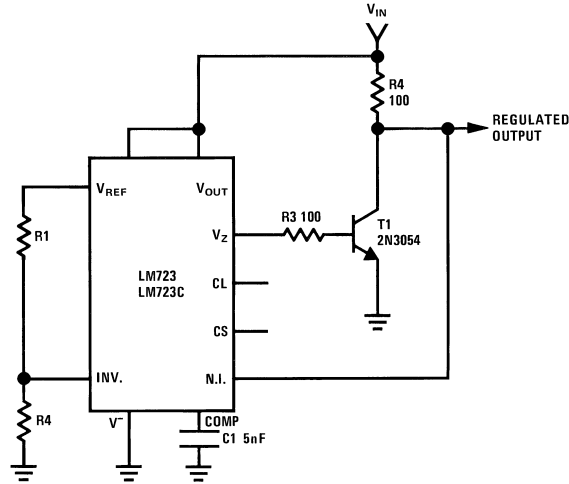
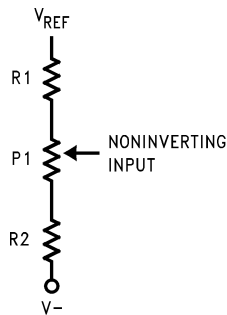


Figure 25. Shunt Regulator

Regulated Output Voltage	+5V
Line Regulation ($\Delta V_{IN} = 10V$)	0.5 mV
Load Regulation ($\Delta I_L = 100 \text{ mA}$)	1.5 mV



NOTE: Replace R1/R2 in figures with divider shown in [Figure 26](#)

Figure 26. Output Voltage Adjust

REVISION HISTORY SECTION

Date Released	Revision	Section	Originator	Changes
02/15/05	A	New Release, Corporate format	L. Lytle	1 MDS data sheet converted into one Corp. data sheet format. MJLM723-X, Rev. 1A0. MDS data sheet will be archived.
03/25/2013	A	All Sections		Changed layout of National Data Sheet to TI format

PACKAGING INFORMATION

Orderable Device	Status (1)	Package Type	Package Drawing	Pins	Package Qty	Eco Plan (2)	Lead finish/ Ball material (6)	MSL Peak Temp (3)	Op Temp (°C)	Device Marking (4/5)	Samples
JL723SCA	ACTIVE	CDIP	J	14	25	Non-RoHS & Green	Call TI	Level-1-NA-UNLIM	-55 to 125	JL723SCA JM38510/10201SCA Q	Samples
JL723SIA	ACTIVE	TO-100	LME	10	20	Non-RoHS & Green	Call TI	Level-1-NA-UNLIM	-55 to 125	JL723SIA JM38510/10201SIA Q ACO JM38510/10201SIA Q >T	Samples
JM38510/10201SCA	ACTIVE	CDIP	J	14	25	Non-RoHS & Green	Call TI	Level-1-NA-UNLIM	-55 to 125	JL723SCA JM38510/10201SCA Q	Samples
JM38510/10201SIA	ACTIVE	TO-100	LME	10	20	RoHS & Green	Call TI	Level-1-NA-UNLIM	-55 to 125	JL723SIA JM38510/10201SIA Q ACO JM38510/10201SIA Q >T	Samples
M38510/10201SCA	ACTIVE	CDIP	J	14	25	Non-RoHS & Green	Call TI	Level-1-NA-UNLIM	-55 to 125	JL723SCA JM38510/10201SCA Q	Samples
M38510/10201SIA	ACTIVE	TO-100	LME	10	20	RoHS & Green	Call TI	Level-1-NA-UNLIM	-55 to 125	JL723SIA JM38510/10201SIA Q ACO JM38510/10201SIA Q >T	Samples

(1) The marketing status values are defined as follows:

ACTIVE: Product device recommended for new designs.

LIFEBUY: TI has announced that the device will be discontinued, and a lifetime-buy period is in effect.

NRND: Not recommended for new designs. Device is in production to support existing customers, but TI does not recommend using this part in a new design.

PREVIEW: Device has been announced but is not in production. Samples may or may not be available.

OBSELETE: TI has discontinued the production of the device.

(2) **RoHS:** TI defines "RoHS" to mean semiconductor products that are compliant with the current EU RoHS requirements for all 10 RoHS substances, including the requirement that RoHS substance do not exceed 0.1% by weight in homogeneous materials. Where designed to be soldered at high temperatures, "RoHS" products are suitable for use in specified lead-free processes. TI may reference these types of products as "Pb-Free".

RoHS Exempt: TI defines "RoHS Exempt" to mean products that contain lead but are compliant with EU RoHS pursuant to a specific EU RoHS exemption.

Green: TI defines "Green" to mean the content of Chlorine (Cl) and Bromine (Br) based flame retardants meet JS709B low halogen requirements of <=1000ppm threshold. Antimony trioxide based flame retardants must also meet the <=1000ppm threshold requirement.

- (3) MSL, Peak Temp. - The Moisture Sensitivity Level rating according to the JEDEC industry standard classifications, and peak solder temperature.
- (4) There may be additional marking, which relates to the logo, the lot trace code information, or the environmental category on the device.
- (5) Multiple Device Markings will be inside parentheses. Only one Device Marking contained in parentheses and separated by a "~" will appear on a device. If a line is indented then it is a continuation of the previous line and the two combined represent the entire Device Marking for that device.
- (6) Lead finish/Ball material - Orderable Devices may have multiple material finish options. Finish options are separated by a vertical ruled line. Lead finish/Ball material values may wrap to two lines if the finish value exceeds the maximum column width.

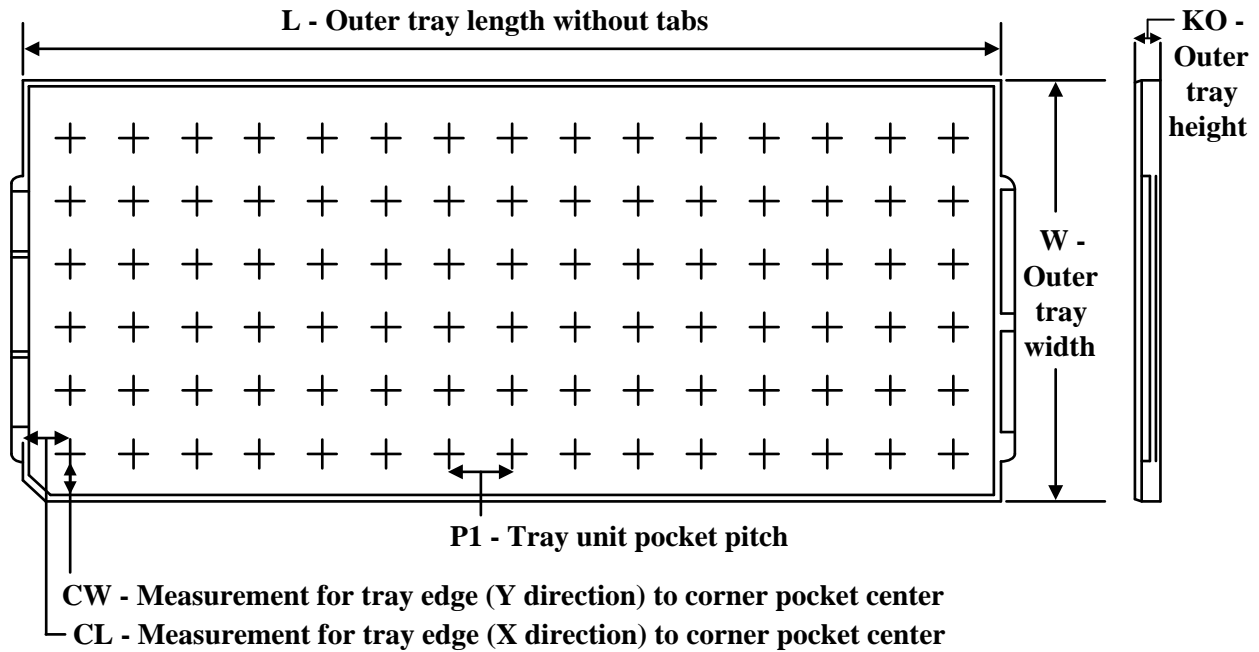
Important Information and Disclaimer:The information provided on this page represents TI's knowledge and belief as of the date that it is provided. TI bases its knowledge and belief on information provided by third parties, and makes no representation or warranty as to the accuracy of such information. Efforts are underway to better integrate information from third parties. TI has taken and continues to take reasonable steps to provide representative and accurate information but may not have conducted destructive testing or chemical analysis on incoming materials and chemicals. TI and TI suppliers consider certain information to be proprietary, and thus CAS numbers and other limited information may not be available for release.

In no event shall TI's liability arising out of such information exceed the total purchase price of the TI part(s) at issue in this document sold by TI to Customer on an annual basis.

TUBE


*All dimensions are nominal

Device	Package Name	Package Type	Pins	SPQ	L (mm)	W (mm)	T (μm)	B (mm)
JL723SCA	J	CDIP	14	25	506.98	15.24	13440	NA
JM38510/10201SCA	J	CDIP	14	25	506.98	15.24	13440	NA
M38510/10201SCA	J	CDIP	14	25	506.98	15.24	13440	NA

TRAY


Chamfer on Tray corner indicates Pin 1 orientation of packed units.

*All dimensions are nominal

Device	Package Name	Package Type	Pins	SPQ	Unit array matrix	Max temperature (°C)	L (mm)	W (mm)	K0 (µm)	P1 (mm)	CL (mm)	CW (mm)
JL723SIA	LME	TO-CAN	10	20	2 X 10	150	126.49	61.98	8890	11.18	12.95	18.54
JM38510/10201SIA	LME	TO-CAN	10	20	2 X 10	150	126.49	61.98	8890	11.18	12.95	18.54
M38510/10201SIA	LME	TO-CAN	10	20	2 X 10	150	126.49	61.98	8890	11.18	12.95	18.54

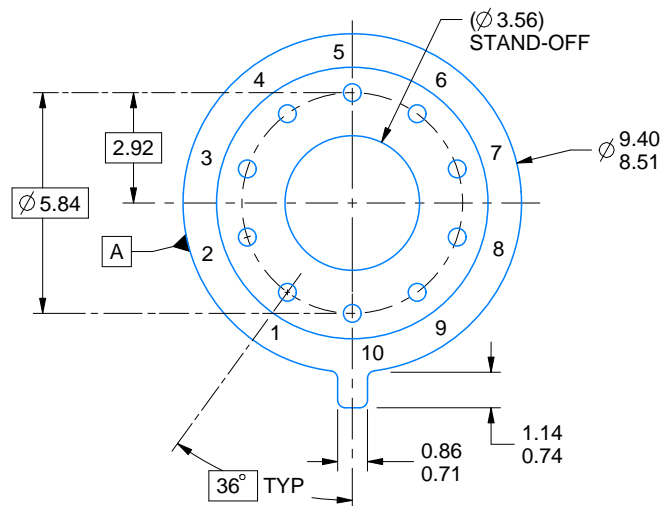
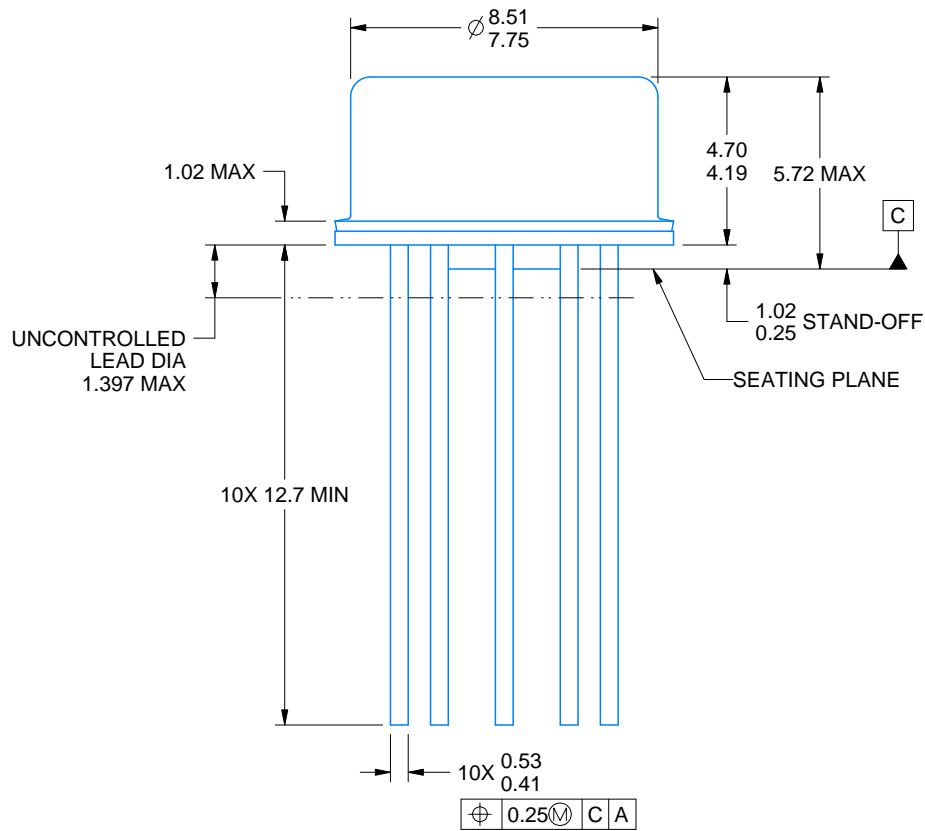


PACKAGE OUTLINE

LME0010A

TO-CAN - 5.72 mm max height

TRANSISTOR OUTLINE



4220604/B 09/2024

NOTES:

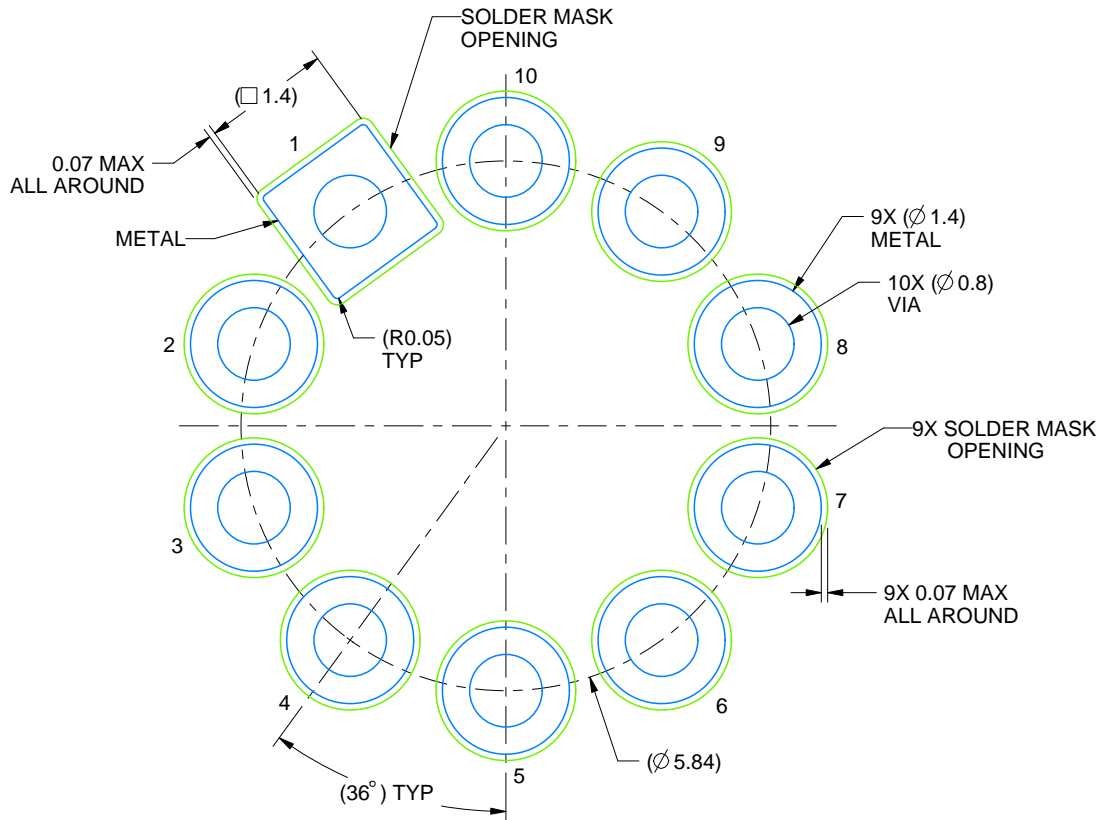
1. All linear dimensions are in millimeters. Any dimensions in parenthesis are for reference only. Dimensioning and tolerancing per ASME Y14.5M.
2. This drawing is subject to change without notice.
3. Reference JEDEC registration MO-006/TO-100.

EXAMPLE BOARD LAYOUT

LME0010A

TO-CAN - 5.72 mm max height

TRANSISTOR OUTLINE



LAND PATTERN EXAMPLE
NON-SOLDER MASK DEFINED
SCALE: 12X

4220604/B 09/2024

J 14

GENERIC PACKAGE VIEW
CDIP - 5.08 mm max height
CERAMIC DUAL IN LINE PACKAGE



Images above are just a representation of the package family, actual package may vary.
Refer to the product data sheet for package details.

4040083-5/G

J0014A



PACKAGE OUTLINE

CDIP - 5.08 mm max height

CERAMIC DUAL IN LINE PACKAGE



4214771/A 05/2017

NOTES:

1. All controlling linear dimensions are in inches. Dimensions in brackets are in millimeters. Any dimension in brackets or parenthesis are for reference only. Dimensioning and tolerancing per ASME Y14.5M.
2. This drawing is subject to change without notice.
3. This package is hermetically sealed with a ceramic lid using glass frit.
4. Index point is provided on cap for terminal identification only and on press ceramic glass frit seal only.
5. Falls within MIL-STD-1835 and GDIP1-T14.

EXAMPLE BOARD LAYOUT

J0014A

CDIP - 5.08 mm max height

CERAMIC DUAL IN LINE PACKAGE



LAND PATTERN EXAMPLE
NON-SOLDER MASK DEFINED
SCALE: 5X



4214771/A 05/2017

IMPORTANT NOTICE AND DISCLAIMER

TI PROVIDES TECHNICAL AND RELIABILITY DATA (INCLUDING DATA SHEETS), DESIGN RESOURCES (INCLUDING REFERENCE DESIGNS), APPLICATION OR OTHER DESIGN ADVICE, WEB TOOLS, SAFETY INFORMATION, AND OTHER RESOURCES "AS IS" AND WITH ALL FAULTS, AND DISCLAIMS ALL WARRANTIES, EXPRESS AND IMPLIED, INCLUDING WITHOUT LIMITATION ANY IMPLIED WARRANTIES OF MERCHANTABILITY, FITNESS FOR A PARTICULAR PURPOSE OR NON-INFRINGEMENT OF THIRD PARTY INTELLECTUAL PROPERTY RIGHTS.

These resources are intended for skilled developers designing with TI products. You are solely responsible for (1) selecting the appropriate TI products for your application, (2) designing, validating and testing your application, and (3) ensuring your application meets applicable standards, and any other safety, security, regulatory or other requirements.

These resources are subject to change without notice. TI grants you permission to use these resources only for development of an application that uses the TI products described in the resource. Other reproduction and display of these resources is prohibited. No license is granted to any other TI intellectual property right or to any third party intellectual property right. TI disclaims responsibility for, and you will fully indemnify TI and its representatives against, any claims, damages, costs, losses, and liabilities arising out of your use of these resources.

TI's products are provided subject to [TI's Terms of Sale](#) or other applicable terms available either on [ti.com](https://www.ti.com) or provided in conjunction with such TI products. TI's provision of these resources does not expand or otherwise alter TI's applicable warranties or warranty disclaimers for TI products.

TI objects to and rejects any additional or different terms you may have proposed.

Mailing Address: Texas Instruments, Post Office Box 655303, Dallas, Texas 75265
Copyright © 2025, Texas Instruments Incorporated