

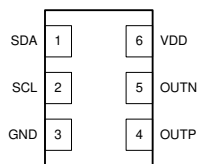
LMK61E07 EEPROM 内蔵、超低ジッタ・プログラマブル発振器

1 特長

- 超低ノイズ、高性能
 - ジッタ: 90fs RMS ($f_{OUT} > 100\text{MHz}$ での代表値、LMK61E07)
 - PSRR: -70dBc の堅牢な電源ノイズ耐性 (LMK61E07)
- 柔軟な出力フォーマット (LMK61E07)
 - LVPECL: 最大 1GHz
 - LVDS: 最大 900MHz
 - HCSL: 最大 400MHz
- 合計周波数許容誤差: $\pm 25\text{ppm}$
- システム・レベルの機能
 - グリッチなしの周波数マージン設定: 公称値から最大 $\pm 1000\text{ppm}$
 - EEPROM 内蔵: ユーザーが構成可能な起動設定
- その他の特長
 - デバイス制御: 最大 1000kHz のファースト・モード I²C
 - 動作電圧: 3.3V
 - 産業用温度範囲 (-40°C ~ +85°C)
 - 7mm × 5mm の 6 ピン・パッケージ
- デフォルト周波数
 - 70.656MHz

2 アプリケーション

- 水晶振動子、SAW、またはシリコン・ベースの発振器に代わる高性能の代替品
- スイッチ、ルータ、ネットワーク・ライン・カード、ベースバンド・ユニット (BBU)、サーバ、ストレージ / SAN
- 試験 / 測定機器
- 医療用画像処理
- FPGA、プロセッサ接続
- xDSL、ビデオ放送



3 概要

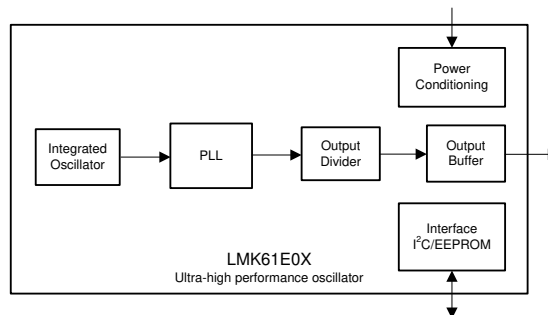
LMK61E07 ファミリの超低ジッタ PLLatinum™ プログラマブル発振器は、fractional-N 周波数シンセサイザと内蔵 VCO を使用して、一般的に使用されるリファレンス・クロックを生成します。LMK61E07 の出力は、LVPECL、LVDS、または HCSL として構成できます。このデバイスは、オンチップの EEPROM により自己起動し、工場プログラムされたデフォルト出力周波数を生成します。また、デバイスのレジスタと EEPROM 設定は、I²C シリアル・インターフェイス経由でシステム内で完全にプログラム可能です。このデバイスは、I²C シリアル・インターフェイスにより細かい / 粗い周波数マージン処理を実行でき、デジタル制御の発振器 (DCXO) となります。

PLL 帰還分周値の更新により、スパイクやグリッチなしに出力周波数を調整できます。xDSL の要件との互換のためには 12.5MHz の PFD (R 分周値 = 4、ダブラー無効) を使用し 1ppb 未満の刻みで、放送ビデオの要件との互換のためには 100MHz の PFD (R 分周値 = 1、ダブラー有効) を使用し 5.2ppb 未満の刻みで調整が可能です。また、周波数マージン処理機能により、標準への準拠やシステムのタイミング・マージン・テストなどのシステム設計検証テスト (DVT) が容易になります。

パッケージ情報⁽¹⁾

部品番号	パッケージ	パッケージ・サイズ ⁽²⁾
LMK61E07	SIA (QFM, 6)	7.00mm × 5.00mm

- 利用可能なすべてのパッケージについては、データシートの末尾にある注文情報を参照してください。
- パッケージ・サイズ (長さ×幅) は公称値であり、該当する場合はピンも含まれます。



Copyright © 2016, Texas Instruments Incorporated

ピン配置と単純なブロック図



Table of Contents

1 特長.....	1	6.18 Additional Reliability and Qualification.....	8
2 アプリケーション.....	1	6.19 Typical Characteristics.....	9
3 概要.....	1	7 Parameter Measurement Information.....	13
4 Revision History.....	2	7.1 Device Output Configurations.....	13
5 Pin Configuration and Functions.....	3	8 Detailed Description.....	15
6 Specifications.....	4	8.1 Overview.....	15
6.1 Absolute Maximum Ratings.....	4	8.2 Functional Block Diagram.....	15
6.2 ESD Ratings.....	4	8.3 Feature Description.....	15
6.3 Recommended Operating Conditions.....	4	8.4 Device Functional Modes.....	19
6.4 Thermal Information.....	4	8.5 Programming.....	22
6.5 Electrical Characteristics - Power Supply.....	5	8.6 Register Maps.....	26
6.6 LVPECL Output Characteristics.....	5	9 Application and Implementation.....	40
6.7 LVDS Output Characteristics.....	5	9.1 Application Information.....	40
6.8 HCSL Output Characteristics.....	6	9.2 Typical Application.....	40
6.9 Frequency Tolerance Characteristics.....	6	9.3 Power Supply Recommendations.....	44
6.10 Frequency Margining Characteristics.....	6	9.4 Layout.....	44
6.11 Power-On Reset Characteristics (VDD).....	6	10 Device and Documentation Support.....	46
6.12 I ² C-Compatible Interface Characteristics (SDA, SCL).....	6	10.1 Documentation Support.....	46
6.13 PSRR Characteristics.....	7	10.2 ドキュメントの更新通知を受け取る方法.....	46
6.14 Other Characteristics.....	7	10.3 サポート・リソース.....	46
6.15 PLL Clock Output Jitter Characteristics.....	7	10.4 Trademarks.....	46
6.16 Typical 156.25-MHz Output Phase Noise Characteristics.....	8	10.5 静電気放電に関する注意事項.....	46
6.17 Typical 161.1328125 MHz Output Phase Noise Characteristics.....	8	10.6 用語集.....	46
		11 Mechanical, Packaging, and Orderable Information.....	46

4 Revision History

資料番号末尾の英字は改訂を表しています。その改訂履歴は英語版に準じています。

Changes from Revision A (October 2018) to Revision B (August 2023)	Page
ドキュメント全体にわたって表、図、相互参照の採番方法を更新.....	1
表を「製品情報」から「パッケージ情報」に変更.....	1
Changed the OUTDIV_BY0 default from: 0x20 to: 0x46.....	26
Changed the PLL_NDIV_BY0 default from: 0x64 to: 0x31.....	26
Changed the PLL_FRACNUM_BY1 default from: 0x00 to: 0x01.....	26
Changed the PLL_FRACNUM_BY0 default from: 0x00 to: 0x1F.....	26
Changed the PLL_FRACDEN_BY1 default from: 0x00 to: 0x02.....	26
Changed the PLL_FRACDEN_BY0 default from: 0x00 to: 0x71.....	26
Changed the PLL_CALCTRL default from: 0x00 to: 0x09.....	26
Changed ENCAL and AUTOSTRT register descriptions.....	29
Changed XO_CAPCTRL [9:2] default from: 0x80 to: 0x00.....	30
Changed PLL_LF_R2[7:0] default from: 0x08 to: 0x28.....	34
Moved the <i>Power Supply Recommendations</i> and <i>Layout</i> sections to the <i>Application and Implementation</i> section.....	44

Changes from Revision * (December 2017) to Revision A (October 2018)	Page
Changed the <i>Loop Filter Structure of PLL</i> graphic.....	18
Changed the <i>LMK61E07 Interface and Control Block</i> graphic.....	19

5 Pin Configuration and Functions

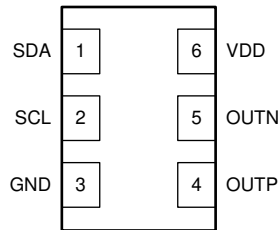


图 5-1. SIA Package 6-Pin QFM Top View

表 5-1. Pin Functions

PIN		I/O	DESCRIPTION
NAME	NO.		
POWER			
GND	3	Ground	Device Ground.
VDD	6	Power	3.3-V Power Supply.
OUTPUT BLOCK			
OUTP	4	Output	Differential Output Pair (LVPECL, LVDS, or HCSL).
OUTN	5		
DIGITAL CONTROL / INTERFACES			
SCL	2	LVC MOS	I ² C Serial Clock (open-drain). Requires an external pullup resistor to VDD.
SDA	1	LVC MOS	I ² C Serial Data (bidirectional, open-drain). Requires an external pullup resistor to VDD.

6 Specifications

6.1 Absolute Maximum Ratings

over operating free-air temperature range (unless otherwise noted)⁽¹⁾

		MIN	MAX	UNIT
VDD	Device supply voltage	-0.3	3.6	V
V _{IN}	Input voltage for logic inputs	-0.3	VDD + 0.3	V
V _{OUT}	Output voltage for clock outputs	-0.3	VDD + 0.3	V
T _J	Junction temperature		150	°C
T _{STG}	Storage temperature	-40	125	°C

- (1) Stresses beyond those listed under *Absolute Maximum Ratings* may cause permanent damage to the device. These are stress ratings only, which do not imply functional operation of the device at these or any other conditions beyond those indicated under *Recommended Operating Conditions*. Exposure to absolute maximum-rated conditions for extended periods may affect device reliability.

6.2 ESD Ratings

		VALUE	UNIT
V _(ESD)	Electrostatic discharge	Human-body model (HBM), per ANSI/ESDA/JEDEC JS-001 ⁽¹⁾	±2000
		Charged-device model (CDM), per JEDEC specification JESD22-C101 ⁽²⁾	±500

- (1) JEDEC document JEP155 states that 500-V HBM allows safe manufacturing with a standard ESD control process.
(2) JEDEC document JEP157 states that 250-V CDM allows safe manufacturing with a standard ESD control process.

6.3 Recommended Operating Conditions

over operating free-air temperature range (unless otherwise noted)

		MIN	NOM	MAX	UNIT
VDD	Device supply voltage	3.135	3.3	3.465	V
T _A	Ambient temperature	-40	25	85	°C
T _J	Junction temperature			115	°C
t _{RAMP}	VDD power-up ramp time	0.1		100	ms

6.4 Thermal Information

THERMAL METRIC ⁽¹⁾	LMK61E07 ^{(2) (3) (4)}			UNIT	
	SIA (QFM)				
	8 PINS				
	Airflow (LFM) 0	Airflow (LFM) 200	Airflow (LFM) 400		
R _{θJA}	Junction-to-ambient thermal resistance	54	44	41.2	°C/W
R _{θJC(top)}	Junction-to-case (top) thermal resistance	34	n/a	n/a	°C/W
R _{θJB}	Junction-to-board thermal resistance	36.7	n/a	n/a	°C/W
ψ _{JT}	Junction-to-top characterization parameter	11.2	16.9	21.9	°C/W
ψ _{JB}	Junction-to-board characterization parameter	36.7	37.8	38.9	°C/W
R _{θJC(bot)}	Junction-to-case (bottom) thermal resistance	n/a	n/a	n/a	°C/W

- (1) For more information about traditional and new thermal metrics, see the [Semiconductor and IC Package Thermal Metrics](#) application report.
(2) The package thermal resistance is calculated on a 4-layer JEDEC board.
(3) Connected to GND with 3 thermal vias (0.3-mm diameter).
(4) ψ_{JB} (junction-to-board) is used when the main heat flow is from the junction to the GND pad. See [Layout Guidelines](#) for more information on ensuring good system reliability and quality.

6.5 Electrical Characteristics - Power Supply

VDD = 3.3 V ± 5%, T_A = –40°C to 85°C⁽¹⁾

PARAMETER	TEST CONDITIONS	MIN	TYP	MAX	UNIT
IDD	Device current consumption LVPECL ⁽²⁾		162	208	mA
		HCSL		155	
IDD-PD	Device current consumption when output is disabled		120		

- (1) Refer to [Parameter Measurement Information](#) for relevant test conditions.
(2) On-chip power dissipation should exclude 40 mW, dissipated in the 150-Ω termination resistors, from total power dissipation.

6.6 LVPECL Output Characteristics

VDD = 3.3 V ± 5%, T_A = –40C to 85°C⁽¹⁾

PARAMETER	TEST CONDITIONS	MIN	TYP	MAX	UNIT
f _{OUT}	Output frequency ⁽²⁾	10		1000	MHz
V _{OD}	Output voltage swing (V _{OH} - V _{OL}) ⁽²⁾	700	800	1200	mV
V _{OUT, DIFF, PP}	Differential output peak-to-peak swing		2 x V _{OD}		V
V _{OS}	Output common-mode voltage		VDD – 1.55		V
t _R / t _F	Output rise/fall time (20% to 80%) ⁽³⁾		120	200	ps
PN-Floor	Output phase noise floor (f _{OFFSET} > 10 MHz)	156.25 MHz		–165	dBc/Hz
ODC	Output duty cycle ⁽³⁾		45%	55%	

- (1) Refer to [Parameter Measurement Information](#) for relevant test conditions.
(2) An output frequency over f_{OUT} maximum spec is possible, but output swing may be less than V_{OD} minimum spec.
(3) Ensured by characterization.

6.7 LVDS Output Characteristics

VDD = 3.3 V ± 5%, T_A = –40°C to 85°C⁽¹⁾

PARAMETER	TEST CONDITIONS	MIN	TYP	MAX	UNIT
f _{OUT}	Output Frequency ⁽¹⁾	10		900	MHz
V _{OD}	Output Voltage Swing (V _{OH} - V _{OL}) ⁽¹⁾	300	390	480	mV
V _{OUT, DIFF, PP}	Differential Output Peak-to-Peak Swing		2 x V _{OD}		V
V _{OS}	Output Common Mode Voltage		1.2		V
t _R / t _F	Output Rise/Fall Time (20% to 80%) ⁽²⁾		150	250	ps
PN-Floor	Output Phase Noise Floor (f _{OFFSET} > 10 MHz)	156.25 MHz		–162	dBc/Hz
ODC	Output Duty Cycle ⁽²⁾		45%	55%	
R _{OUT}	Differential Output Impedance		125		Ω

- (1) An output frequency over f_{OUT} max spec is possible, but output swing may be less than V_{OD} min spec.
(2) Ensured by characterization.

6.8 HCSL Output Characteristics

 $V_{DD} = 3.3\text{ V} \pm 5\%$, $T_A = -40^\circ\text{C}$ to 85°C ⁽¹⁾

PARAMETER	TEST CONDITIONS	MIN	TYP	MAX	UNIT
f_{OUT}	Output frequency	10		400	MHz
V_{OH}	Output high voltage	600		850	mV
V_{OL}	Output low voltage	-100		100	mV
V_{CROSS}	Absolute crossing voltage ⁽²⁾ ⁽³⁾	250		475	mV
$V_{CROSS-DELTA}$	Variation of V_{CROSS} ⁽²⁾ ⁽³⁾	0		140	mV
dV/dt	Slew rate ⁽⁴⁾	0.8		2	V/ns
PN-Floor	Output phase noise floor ($f_{OFFSET} > 10\text{ MHz}$)	100 MHz		-164	dBc/Hz
ODC	Output duty cycle ⁽⁴⁾	45%		55%	

(1) Refer to [Parameter Measurement Information](#) for relevant test conditions.

(2) Measured from -150 mV to +150 mV on the differential waveform with the 300-mVpp measurement window centered on the differential zero crossing.

(3) Ensured by design.

(4) Ensured by characterization.

6.9 Frequency Tolerance Characteristics

 $V_{DD} = 3.3\text{ V} \pm 5\%$, $T_A = -40^\circ\text{C}$ to 85°C ⁽¹⁾

PARAMETER	TEST CONDITIONS	MIN	TYP	MAX	UNIT
f_T	Total frequency tolerance	-25		25	ppm

All frequency bands and device junction temperature up to 115°C; includes initial frequency tolerance, temperature & supply voltage variation, solder reflow, and 5 year aging at 40°C ambient temperature

(1) Ensured by characterization.

6.10 Frequency Margining Characteristics

 $V_{DD} = 3.3\text{ V} \pm 5\%$, $T_A = -40^\circ\text{C}$ to 85°C

PARAMETER	TEST CONDITIONS	MIN	TYP	MAX	UNIT
f_T	Frequency margining range from nominal	-1000		1000	ppm

6.11 Power-On Reset Characteristics (VDD)

 $V_{DD} = 3.3\text{ V} \pm 5\%$, $T_A = -40^\circ\text{C}$ to 85°C

PARAMETER	TEST CONDITIONS	MIN	TYP	MAX	UNIT	
V_{THRESH}	Threshold voltage ⁽¹⁾	2.72		2.95	V	
V_{DROOP}	Allowable voltage droop ⁽²⁾			0.1	V	
$t_{STARTUP}$	Start-up time ⁽¹⁾	Time elapsed from VDD at 3.135 V to output enabled			10	ms

(1) Ensured by characterization.

(2) Ensured by design.

6.12 I²C-Compatible Interface Characteristics (SDA, SCL)

 $V_{DD} = 3.3\text{ V} \pm 5\%$, $T_A = -40^\circ\text{C}$ to 85°C ⁽¹⁾ ⁽²⁾

PARAMETER	TEST CONDITIONS	MIN	TYP	MAX	UNIT
V_{IH}	Input high voltage	1.2			V
V_{IL}	Input low voltage			0.6	V
I_{IH}	Input leakage	-40		40	μA

VDD = 3.3 V ± 5%, T_A = –40°C to 85°C^{(1) (2)}

PARAMETER		TEST CONDITIONS	MIN	TYP	MAX	UNIT
C _{IN}	Input capacitance			2		pF
C _{OUT}	Input capacitance				400	pF
V _{OL}	Output low voltage	I _{OL} = 3 mA			0.6	V
f _{SCL}	I ² C clock rate		100		1000	kHz
t _{SU_STA}	START condition setup time	SCL high before SDA low	0.6			μs
t _{H_STA}	START condition hold time	SCL low after SDA low	0.6			μs
t _{PH_SCL}	SCL pulse width high		0.6			μs
t _{PL_SCL}	SCL pulse width low		1.3			μs
t _{H_SDA}	SDA hold time	SDA valid after SCL low	0		0.9	μs
t _{SU_SDA}	SDA setup time		115			ns
t _{R_IN} / t _{F_IN}	SCL/SDA input rise and fall time				300	ns
t _{F_OUT}	SDA output fall time	C _{BUS} = 10 pF to 400 pF			250	ns
t _{SU_STOP}	STOP condition setup time		0.6			μs
t _{BUS}	Bus free time between STOP and START		1.3			μs

- (1) Total capacitive load for each bus line ≤ 400 pF.
(2) Ensured by design.

6.13 PSRR Characteristics

VDD = 3.3 V, T_A = 25°C, PLL bandwidth = 400 kHz, VCO Frequency = 5 GHz (Integer-N PLL), Output Divider = 32, Output Type = LVPECL/LVDS/HCSL⁽¹⁾

PARAMETER		TEST CONDITIONS	MIN	TYP	MAX	UNIT
PSRR	Spurs Induced by 50-mV power supply ripple ^{(2) (3)} at 156.25-MHz output, all output types	Sine wave at 50 kHz		–70		dBc
		Sine wave at 100 kHz		–70		
		Sine wave at 500 kHz		–70		
		Sine wave at 1 MHz		–70		

- (1) Refer to [Parameter Measurement Information](#) for relevant test conditions.
(2) Measured max spur level with 50-mV_{pp} sinusoidal signal between 50 kHz and 1 MHz applied on VDD pin
(3) DJ_{SPUR} (ps, pk-pk) = [2 × 10(SPUR/20) / (π × f_{OUT})] × 1e6, where PSRR or SPUR in dBc and f_{OUT} in MHz.

6.14 Other Characteristics

VDD = 3.3 V ± 5%, T_A = –40°C to 85°C

PARAMETER		TEST CONDITIONS	MIN	TYP	MAX	UNIT
f _{VCO}	VCO frequency range		4.6		5.6	GHz

6.15 PLL Clock Output Jitter Characteristics

VDD = 3.3 V ± 5%, T_A = –40°C to 85°C^{(1) (3)}

PARAMETER		TEST CONDITIONS	MIN	TYP	MAX	UNIT
RJ	RMS phase jitter ⁽²⁾ (12 kHz – 20 MHz)	f _{OUT} ≥ 100 MHz, Integer-N PLL, All output types		100	200	fs RMS
RJ	RMS phase jitter ⁽²⁾ (12 kHz – 20 MHz)	f _{OUT} ≥ 100 MHz, Fractional-N PLL, All output types		150	300	fs RMS

- (1) Refer to [Parameter Measurement Information](#) for relevant test conditions.
(2) Ensured by characterization.
(3) Phase jitter measured with Agilent E5052 signal source analyzer.

6.16 Typical 156.25-MHz Output Phase Noise Characteristics

VDD = 3.3 V, T_A = 25°C, PLL bandwidth = 400 kHz, VCO Frequency = 5 GHz, Integer-N PLL, Output Divider = 32, Output Type = LVPECL/LVDS/HCSL^{(1) (2)}

PARAMETER		OUTPUT TYPE			UNIT
		LVPECL	LVDS	HCSL	
phn _{10k}	Phase noise at 10-kHz offset	-143	-143	-143	dBc/Hz
Phn _{20k}	Phase noise at 20-kHz offset	-143	-143	-143	dBc/Hz
phn _{100k}	Phase noise at 100-kHz offset	-144	-144	-144	dBc/Hz
Phn _{200k}	Phase noise at 200-kHz offset	-145	-145	-145	dBc/Hz
phn _{1M}	Phase noise at 1-MHz offset	-150	-150	-150	dBc/Hz
phn _{2M}	Phase noise at 2-MHz offset	-154	-154	-154	dBc/Hz
phn _{10M}	Phase noise at 10-MHz offset	-165	-162	-164	dBc/Hz
phn _{20M}	Phase noise at 20-MHz offset	-165	-162	-164	dBc/Hz

(1) Refer to Parameter Measurement Information for relevant test conditions.

(2) Phase jitter measured with Agilent E5052 signal source analyzer using a differential-to-single ended converter (balun or buffer).

6.17 Typical 161.1328125 MHz Output Phase Noise Characteristics

VDD = 3.3 V, T_A = 25°C, PLL bandwidth = 400 kHz, VCO Frequency = 5.15625 GHz, Fractional-N PLL, Output Divider = 32, Output Type = LVPECL/LVDS/HCSL^{(1) (2)}

PARAMETER		OUTPUT TYPE			UNIT
		LVPECL	LVDS	HCSL	
phn _{10k}	Phase noise at 10-kHz offset	-136	-136	-136	dBc/Hz
phn _{20k}	Phase noise at 20-kHz offset	-136	-136	-136	dBc/Hz
phn _{100k}	Phase noise at 100-kHz offset	-140	-140	-140	dBc/Hz
phn _{200k}	Phase noise at 200-kHz offset	-141	-141	-141	dBc/Hz
phn _{1M}	Phase noise at 1-MHz offset	-148	-148	-148	dBc/Hz
phn _{2M}	Phase noise at 2-MHz offset	-156	-156	-156	dBc/Hz
phn _{10M}	Phase noise at 10-MHz offset	-161	-159	-160	dBc/Hz
phn _{20M}	Phase noise at 20-MHz offset	-162	-160	-161	dBc/Hz

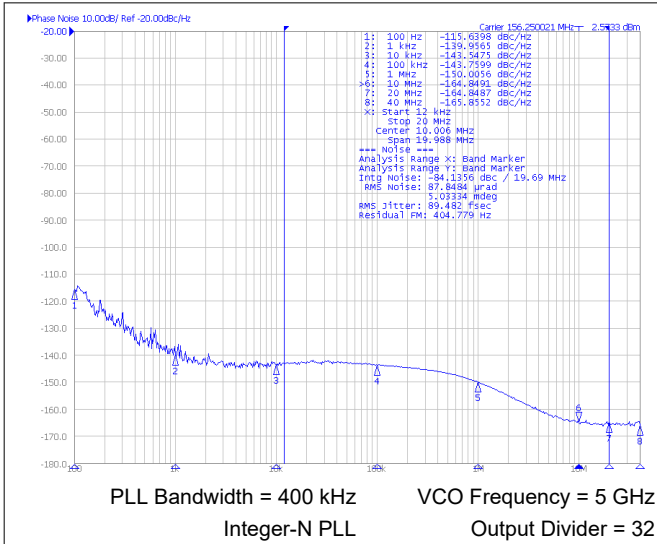
(1) Refer to Parameter Measurement Information for relevant test conditions.

(2) Phase jitter measured with Agilent E5052 signal source analyzer using a differential-to-single ended converter (balun or buffer).

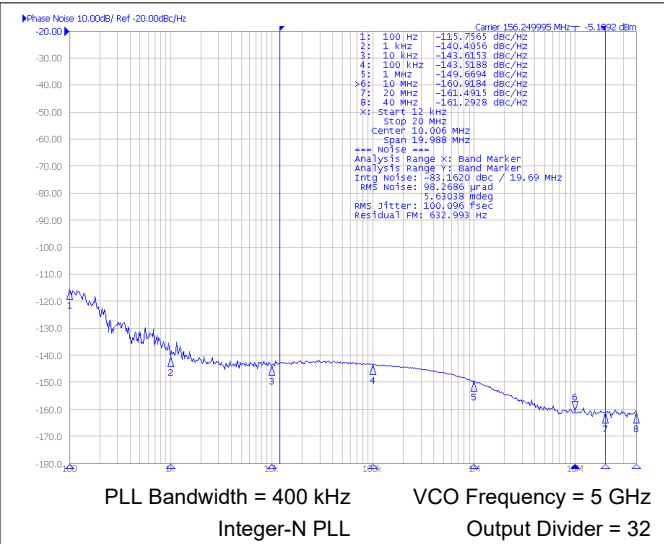
6.18 Additional Reliability and Qualification

PARAMETER	CONDITION / TEST METHOD
Mechanical Shock	MIL-STD-202, Method 213
Mechanical Vibration	MIL-STD-202, Method 204
Moisture Sensitivity Level	J-STD-020, MSL3

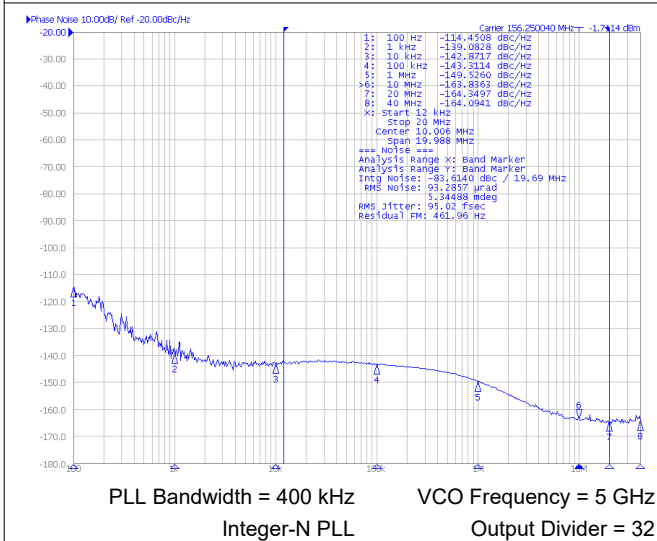
6.19 Typical Characteristics



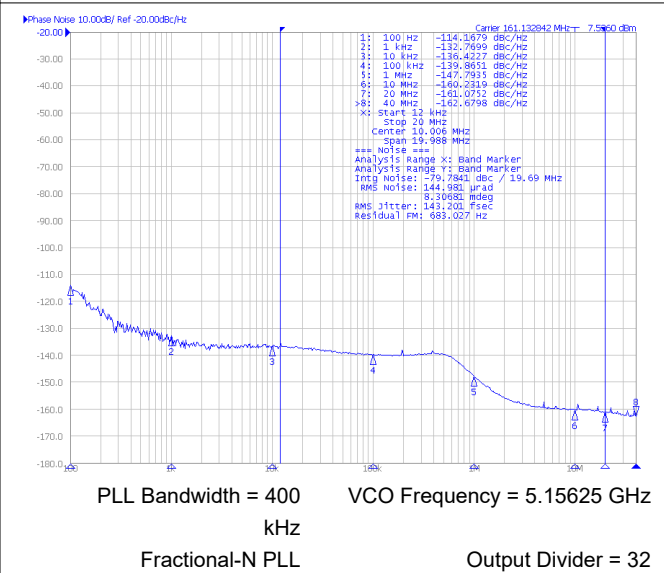
6-1. Closed-Loop Phase Noise of LVPECL Differential Output at 156.25 MHz



6-2. Closed Loop Phase Noise of LVDS Differential Output at 156.25 MHz



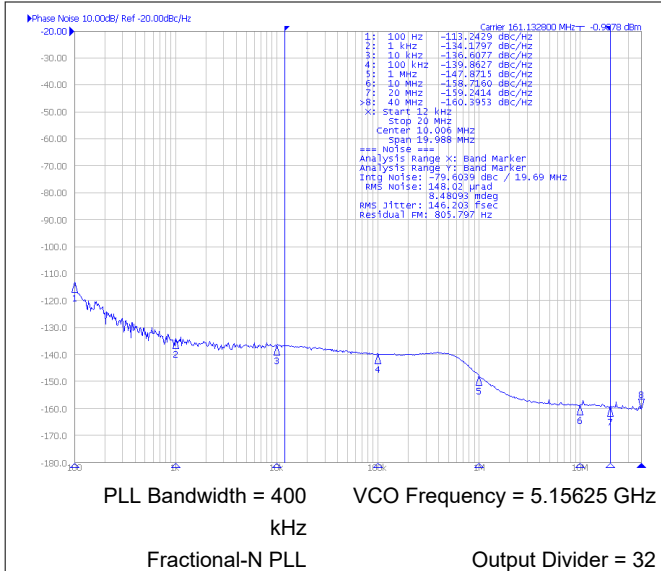
6-3. Closed-Loop Phase Noise of HCSL Differential Output at 156.25 MHz



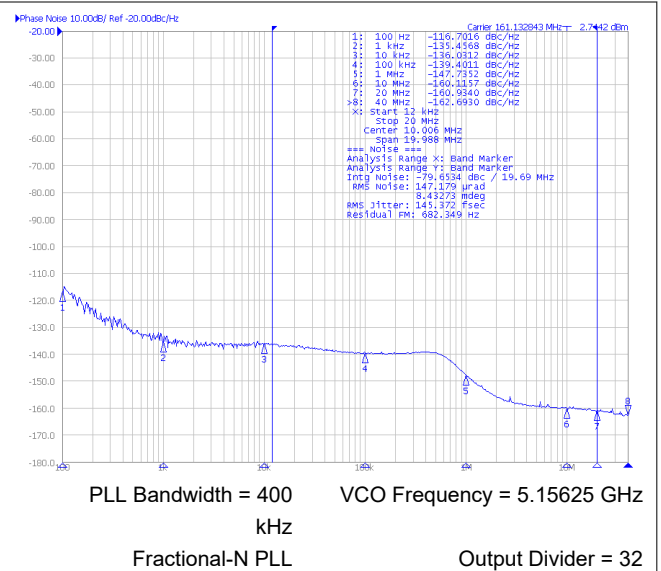
6-4. Closed-Loop Phase Noise of LVPECL Differential Output at 161.1328125 MHz

LMK61E07

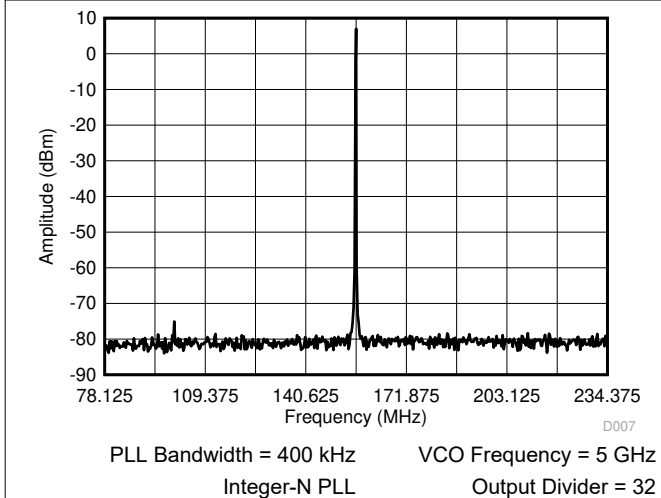
JAJSE94B – DECEMBER 2017 – REVISED AUGUST 2023



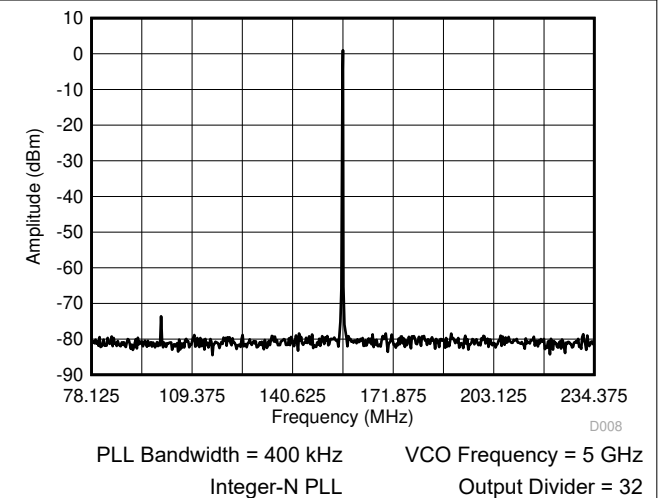
6-5. Closed Loop Phase Noise of LVDS Differential Output at 161.1328125 MHz



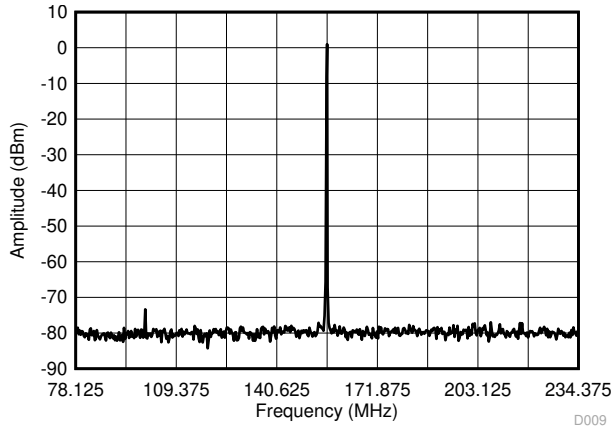
6-6. Closed-Loop Phase Noise of HCSL Differential Output at 161.1328125 MHz



6-7. 156.25 ± 78.125-MHz LVPECL Differential Output Spectrum

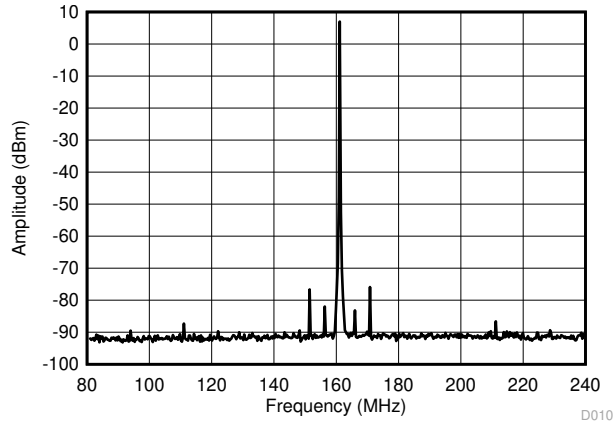


6-8. 156.25 ± 78.125-MHz LVDS Differential Output Spectrum



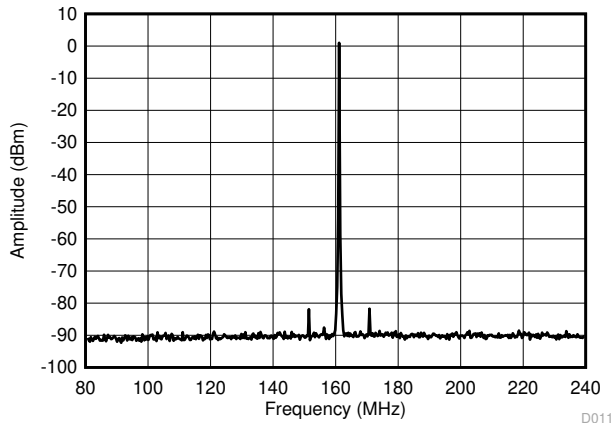
PLL Bandwidth = 400 kHz VCO Frequency = 5 GHz
Integer-N PLL Output Divider = 32

6-9. 156.25 ± 78.125-MHz HCSL Differential Output Spectrum



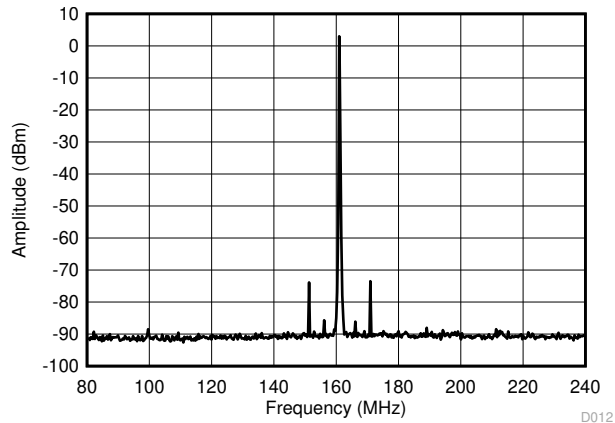
PLL Bandwidth = 400 kHz VCO Frequency = 5.15625 GHz
Fractional-N PLL Output Divider = 32

6-10. 161.1328125 ± 80.56640625-MHz LVPECL Differential Output Spectrum



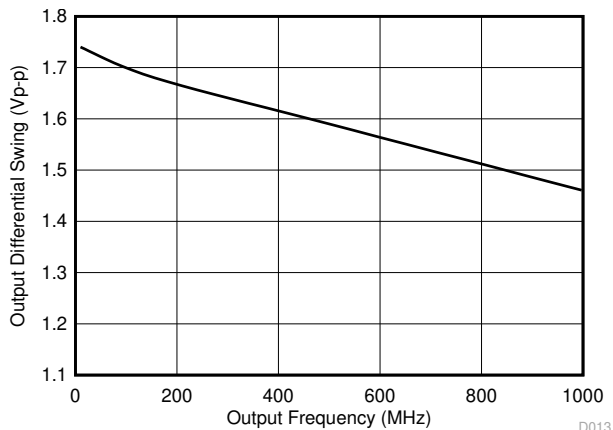
PLL Bandwidth = 400 kHz VCO Frequency = 5.15625 GHz
Fractional-N PLL Output Divider = 32

6-11. 161.1328125 ± 80.56640625-MHz LVDS Output Spectrum

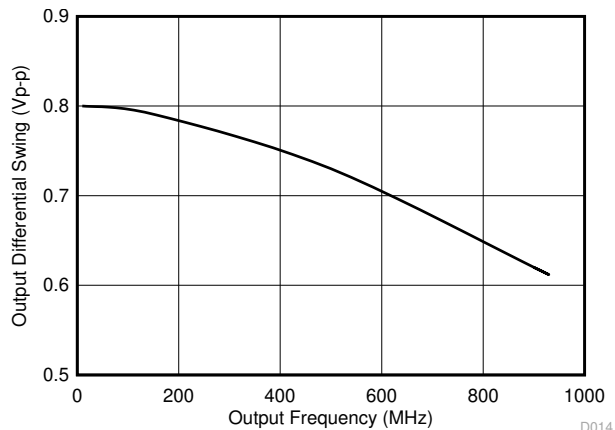


PLL Bandwidth = 400 kHz VCO Frequency = 5.15625 GHz
Fractional-N PLL Output Divider = 32

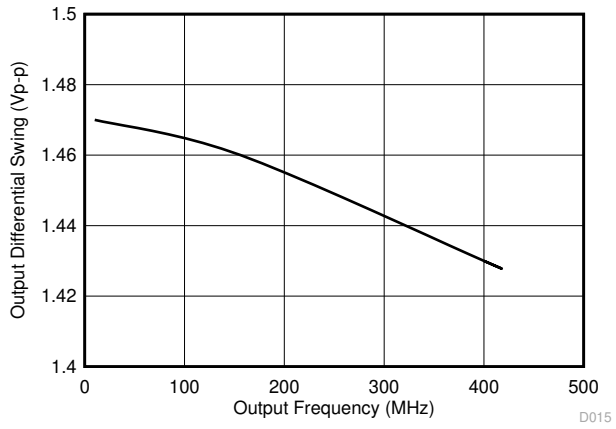
6-12. 161.1328125 ± 80.56640625-MHz HCSL Output Spectrum



6-13. LVPECL Differential Output Swing vs Frequency



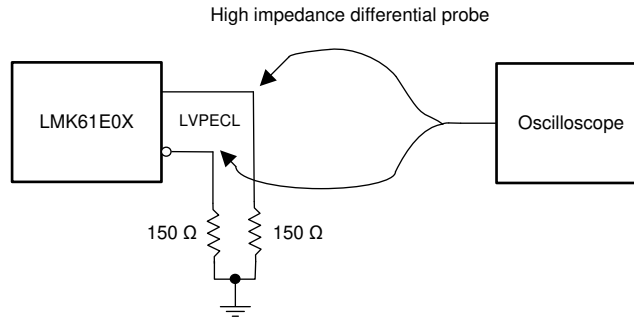
6-14. LVDS Differential Output Swing vs Frequency



6-15. HCSL Differential Output Swing vs Frequency

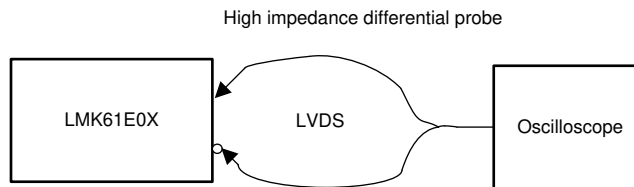
7 Parameter Measurement Information

7.1 Device Output Configurations



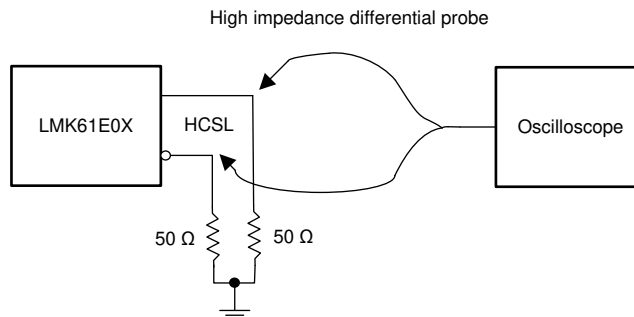
Copyright © 2016, Texas Instruments Incorporated

7-1. LVPECL Output DC Configuration During Device Test



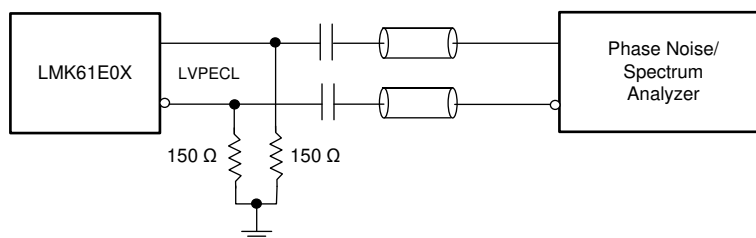
Copyright © 2016, Texas Instruments Incorporated

7-2. LVDS Output DC Configuration During Device Test



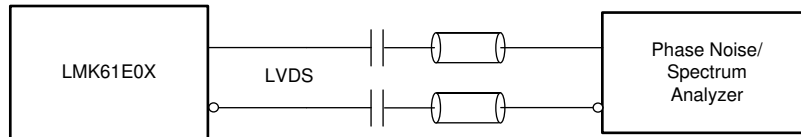
Copyright © 2016, Texas Instruments Incorporated

7-3. HCSL Output DC Configuration During Device Test



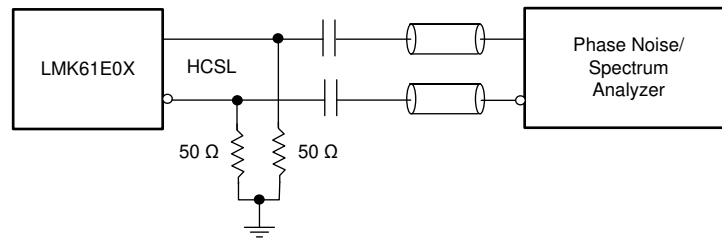
Copyright © 2016, Texas Instruments Incorporated

7-4. LVPECL Output AC Configuration During Device Test



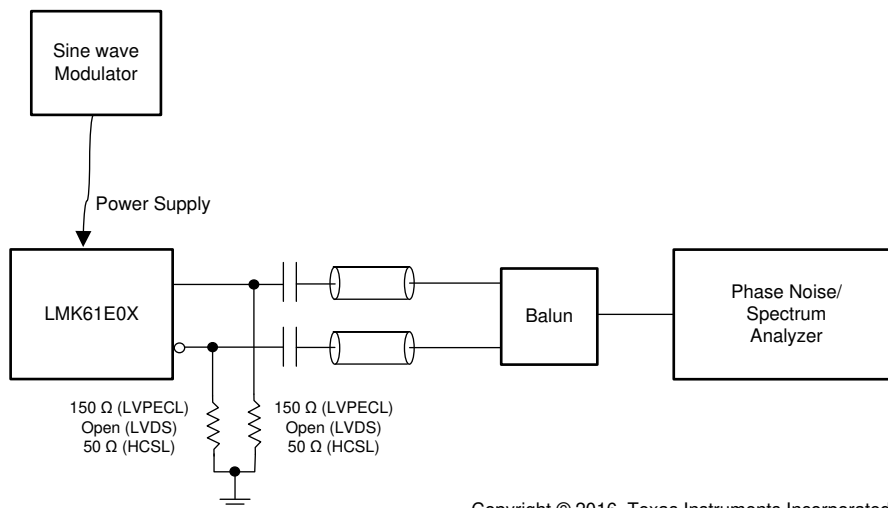
Copyright © 2016, Texas Instruments Incorporated

7-5. LVDS Output AC Configuration During Device Test



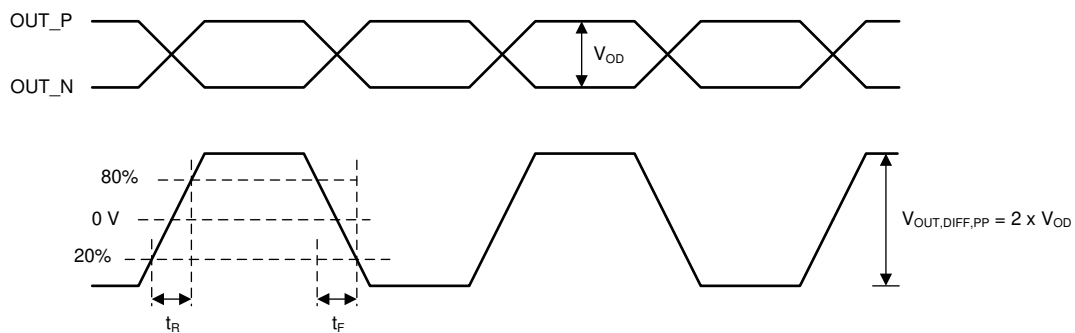
Copyright © 2016, Texas Instruments Incorporated

7-6. HCSL Output AC Configuration During Device Test



Copyright © 2016, Texas Instruments Incorporated

7-7. PSRR Test Setup



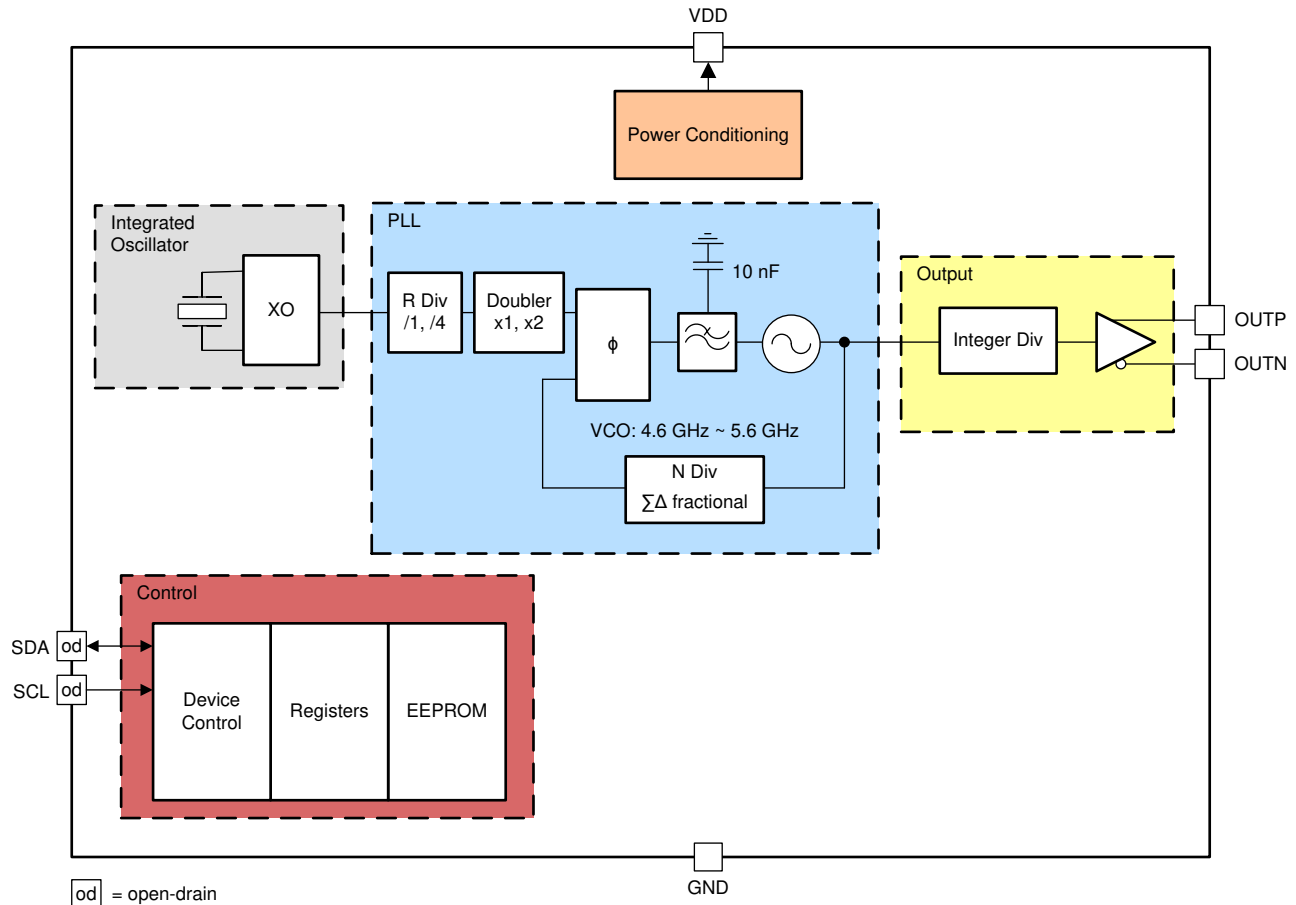
7-8. Differential Output Voltage and Rise/Fall Time

8 Detailed Description

8.1 Overview

The LMK61E07 is a programmable oscillator family that generates commonly used reference clocks. LMK61E07 supports differential outputs with less than 200 fs, rms max random jitter in integer PLL mode and less than 300 fs, rms max random jitter in fractional PLL mode.

8.2 Functional Block Diagram



Copyright © 2017, Texas Instruments Incorporated

注

Control blocks are compatible with 1.8-V, 2.5-V, and 3.3-V I/O voltage levels.

8.3 Feature Description

8.3.1 Device Block-Level Description

The LMK61E07 is an integrated oscillator that includes a 50-MHz crystal and a fractional PLL with integrated VCO that supports a frequency range of 4.6 GHz to 5.6 GHz. The PLL block consists of a phase frequency detector (PFD), charge pump, integrated passive loop filter, a feedback divider that can support both integer and fractional values and a delta-sigma engine for noise suppression in fractional PLL mode. Completing the device is the combination of an integer output divider and a differential output buffer. The PLL is powered by on-chip low dropout (LDO) linear voltage regulators and the regulated supply network is partitioned such that the sensitive analog supplies are running from separate LDOs than the digital supplies which use their own LDO. The LDOs provide isolation to the PLL from any noise in the external power supply rail. The device supports fine and

coarse frequency margining by changing the settings of the integrated oscillator and the output divider, respectively.

8.3.2 Device Configuration Control

The LMK61E07 supports I²C programming interface where an I²C host can update any device configuration after the device enables the host interface and the host writes a sequence that updates the device registers. Once the device configuration is set, the host can also write to the on-chip EEPROM for a new set of power-up defaults based on the configuration pin settings in the soft pin configuration mode.

8.3.3 Register File Reference Convention

Figure 8-1 shows the method that this document employs to refer to an individual register bit or a grouping of register bits. If a drawing or text references an individual bit, the format is to specify the register number first and the bit number second. The LMK61E07 contains 38 registers that are 8 bits wide. The register addresses and the bit positions both begin with the number zero (0). The bit address is placed in brackets or after a period. The first bit in the register file is address R0[0] or R0.0 meaning that it is located in Register 0 and is bit position 0. The last bit in the register file is address R72[7] or R72.7, referring to the 8th bit of register address 72 (the 73rd register in the device). Figure 8-1 also lists specific bit positions as a number contained within a box. A box with the register address encloses the group of boxes that represent the bits relevant to the specific device circuitry in context.

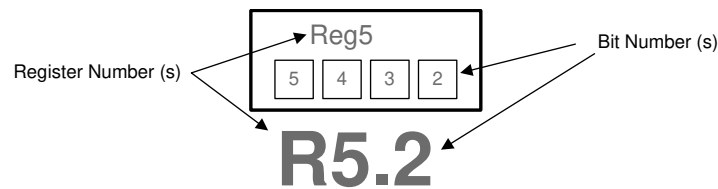


Figure 8-1. LMK61E07 Register Reference Format

8.3.4 Configuring the PLL

The PLL in LMK61E07 can be configured to accommodate various output frequencies either through I²C programming interface or, in the absence of programming the PLL defaults stored in EEPROM are loaded on power up. The PLL can be configured by setting the Reference Doubler, Integrated PLL Loop Filter, Feedback Divider, and Output Divider. The corresponding register addresses and configurations are detailed in the description section of each block below.

For the PLL to operate in closed-loop mode, the following condition in Equation 1 has to be met.

$$F_{VCO} = F_{REF} \times (D/R) \times [(INT + NUM/DEN)] \quad (1)$$

where

- F_{VCO} : PLL/VCO Frequency (4.6 GHz to 5.6 GHz)
- F_{REF} : 50-MHz reference input
- D: Reference input doubler, 1=Disabled, 2=Enabled
- R: Reference input divider, 1=Divider bypass, 4=Divide-by-4
- INT: PLL feedback divider integer value (12 bits, 1 to 4095)
- NUM: PLL feedback divider fractional numerator value (22 bits, 0 to 4194303)
- DEN: PLL feedback divider fractional denominator value (22 bits, 1 to 4194303)

On LMK61E07, the output frequency is related to the VCO frequency as given in Equation 2.

$$F_{OUT} = F_{VCO} / OUTDIV \quad (2)$$

where

- OUTDIV: Output divider value (9 bits, 5 to 511)

The output frequency step size for every bit change in the numerator of the PLL fractional feedback divider is given in 式 3.

$$\text{STEP SIZE} = (F_{\text{REF}} \times D) / (R \times \text{OUTDIV} \times \text{DEN}) \quad (3)$$

8.3.5 Integrated Oscillator

The integrated oscillator in LMK61E07 features programmable load capacitances that can be set for the device to either operate at exactly its nominal oscillation frequency or operate at a fixed frequency offset from its nominal oscillation frequency. This is done by programming R16 and R17. More details on frequency margining are provided in [Fine Frequency Margining](#).

8.3.6 Reference Divider and Doubler

The reference path has a divider and frequency doubler. The reference divider can be bypassed by programming R24[0] = 0 or can be set to divide-by-4 by programming R24[0] = 1. Enabling the divider results in a lower comparison frequency for the PLL and would result in a 6-dB increase in the in-band phase noise at the output of the LMK61E07 but would result in a finer frequency resolution at the output for every bit change in the numerator of fractional feedback divider. The reference doubler can be enabled by programming R34[5] = 1. Bypassing the divider allows for a higher comparison rate and improved in-band phase noise at the output of the LMK61E07. Enabling the doubler allows a higher comparison frequency for the PLL and would result in a 3-dB reduction in the in-band phase noise at the output of the LMK61E07. Enabling the doubler also results in higher reference and phase detector spurs which will be minimized by enabling the higher order components (R3, C3) of the loop filter and programming them to appropriate values. Disabling the doubler would result in a finer frequency resolution at the output for every bit change in the numerator of the fractional feedback divider and higher in-band phase noise on the device output than when the doubler is enabled. However, the reference and phase detector spurs would be lower on the device output than when the doubler is enabled.

8.3.7 Phase Frequency Detector

The Phase Frequency Detector (PFD) of the PLL takes inputs from the reference path and the feedback divider output and produces an output that is dependent on the phase and frequency difference between the two inputs. The input frequency of the PFD is equal to the 50-MHz reference frequency doubled if the reference doubler is enabled and then divided by 4 if the reference divider is enabled. The feedback frequency to the PFD must equal the reference path frequency to the PFD for the PLL to lock.

8.3.8 Feedback Divider (N)

The N divider of the PLL includes fractional compensation and can achieve any fractional denominator (DEN) from 1 to 4,194,303. The integer portion, INT (valid range 1-4095), is the whole part of the N divider value and the fractional portion, NUM / DEN, is the remaining fraction. INT, NUM, and DEN are programmed in R25/R26, R27/R28/R29, and R30/R31/R32, respectively. The total programmed N divider value, N, is determined by: $N = \text{INT} + \text{NUM} / \text{DEN}$. The output of the N divider sets the PFD frequency to the PLL. The feedback frequency to the PFD must equal the reference path frequency to the PFD for the PLL to lock. In DCXO mode, the NUM registers can be reprogrammed MSB first and LSB last to update the output frequency without glitches or spikes.

8.3.9 Fractional Engine

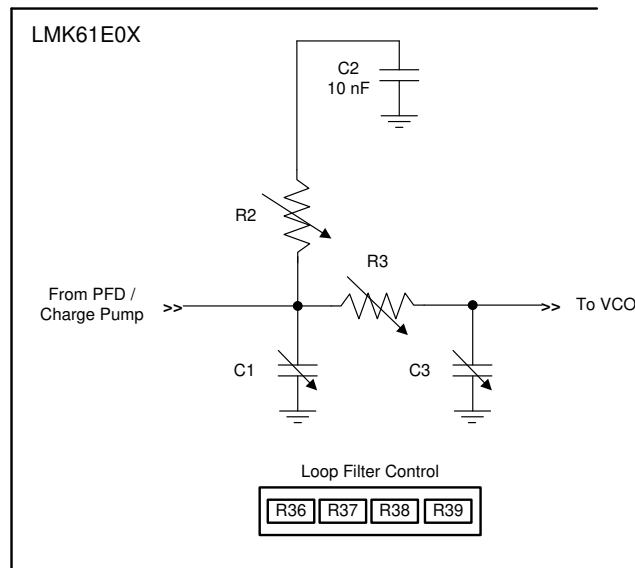
The delta signal modulator is a key component of the fractional engine and is involved in noise shaping for better phase noise and spurs in the band of interest. The order of the delta sigma modulator is selectable between the integer mode and third order for fractional PLL mode, and it can be programmed in R33[1:0]. Dithering can be programmed in R33[3:2] and should be disabled for integer PLL mode and set to weak for fractional PLL mode.

8.3.10 Charge Pump

The PLL uses either 1.6-mA charge pump slices when the PLL is set to fractional mode, or 6.4-mA slices when the PLL is set to integer mode. These slices can be selected by programming R34[3:0]. When the PLL is set to fractional mode, a phase shift must be introduced to maintain a linear response and ensure consistent performance across operating conditions and a value of 0x2 should be programmed in R35[6:4]. When the PLL is set to integer mode, a value of 0x0 should be programmed in R35[6:4].

8.3.11 Loop Filter

The LMK61E07 features a fully integrated loop filter for the PLL that supports programmable loop bandwidth from 100 kHz to 1 MHz. The loop filter components, R2, C1, R3, and C3, can be configured by programming R36, R37, R38, and R39, respectively. The LMK61E07 features a fixed value of C2 of 10 nF. When the PLL is configured in fractional mode, R35[2] should be set to 1. When the reference doubler is disabled for integer mode PLL, R35[2] should be set to 0 and R38[6:0] should be set to 0x00. When the reference doubler is enabled for integer mode PLL, R35[2] should be set to 1 and R38 and R39 are written with the appropriate values. [Figure 8-2](#) shows the loop filter structure of the PLL. It is important to set the PLL to the best possible bandwidth to minimize output jitter.



Copyright © 2016, Texas Instruments Incorporated

Figure 8-2. Loop Filter Structure of PLL

8.3.12 VCO Calibration

The PLL in LMK61E07 is made of LC VCO that is designed using high-Q monolithic inductors to oscillate between 4.6 GHz and 5.6 GHz and has low phase noise characteristics. The VCO must be calibrated to ensure that the clock outputs deliver optimal phase noise performance. Fundamentally, a VCO calibration establishes an optimal operating point within the tuning range of the VCO. Setting R72[1] to 1 causes a VCO recalibration and is necessary after device reconfiguration. VCO calibration automatically occurs on device power up.

8.3.13 High-Speed Output Divider

The high-speed output divider supports divide values of 5 to 511 and is programmed in R22 and R23. The output divider also supports coarse frequency margining that can initiate as low as a 5% change in the output frequency.

8.3.14 High-Speed Clock Output

The clock output on LMK61E07 can be configured as LVPECL, LVDS, or HCSL by programming R21[1:0]. Interfacing to LVPECL, LVDS, or HCSL receivers are done either with direct coupling or with AC-coupling capacitor as shown in [Figure 7-1](#) through [Figure 7-6](#).

The LVDS output structure has integrated 125 Ω termination between each side (P and N) of the differential pair. The HCSL output structure is open drain and can be DC or AC coupled to HCSL receivers with appropriate termination scheme. The LVPECL output structure is an emitter follower requiring external termination.

8.3.15 Device Status

The PLL loss of lock and PLL calibration status can be monitored by reading R66[1:0]. These bits represent a logic-high interrupt output and are self-cleared once the readback is complete.


8.3.15.1 Loss of Lock

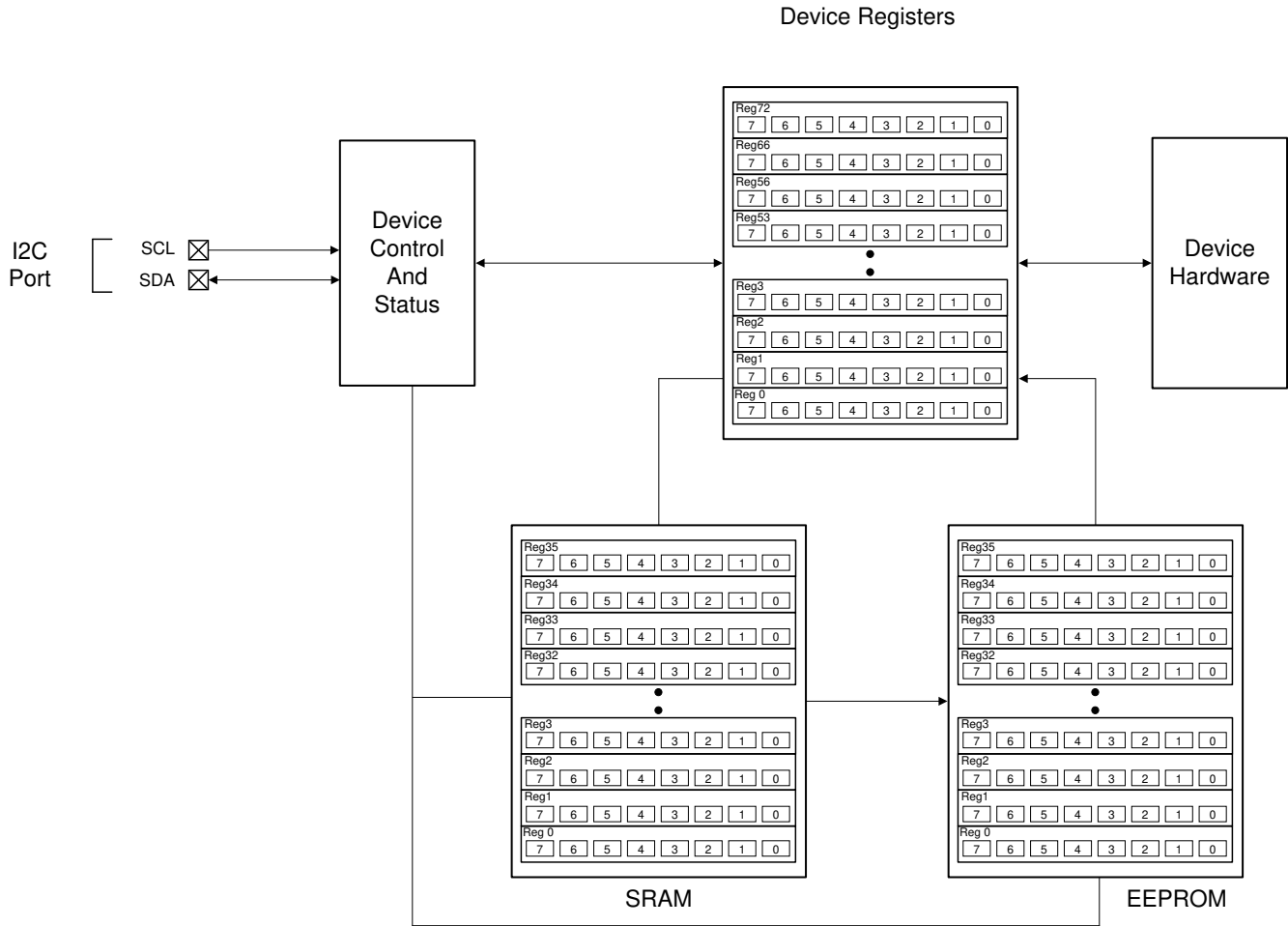
The PLL loss of lock detection circuit is a digital circuit that detects any frequency error, even a single cycle slip. Loss of lock may occur when an incorrect PLL configuration is programmed or the VCO has not been recalibrated.

8.4 Device Functional Modes

8.4.1 Interface and Control

The host (DSP, Microcontroller, FPGA, and so forth) configures and monitors the LMK61E07 through the I²C port. The host reads and writes to a collection of control and status bits called the register map. The device blocks can be controlled and monitored through a specific grouping of bits located within the register file. The host controls and monitors certain device Wide critical parameters directly through register control and status bits. In the absence of the host, the LMK61E07 can be configured to operate from its on-chip EEPROM. The EEPROM array is automatically copied to the device registers upon power up. The user has the flexibility to rewrite the contents of EEPROM from the SRAM up to 100 times.

Within the device registers, there are certain bits that have read or write access. Other bits are read-only (an attempt to write to a read-only bit will not change the state of the bit). Certain device registers and bits are reserved meaning that they must not be changed from their default reset state.  8-3 shows interface and control blocks within LMK61E07 and the arrows refer to read access from and write access to the different embedded memories (EEPROM, SRAM).



8-3. LMK61E07 Interface and Control Block

8.4.2 DCXO Mode and Frequency Margining

8.4.2.1 DCXO Mode

In applications that require the LMK61E07 as part of a PLL that is implemented in another device like an FPGA, it can be used as a digitally-controlled oscillator (DCXO) where the frequency control word can be passed along through I²C to the LMK61E07 on a regular basis, which in turn updates the numerator of its fractional feedback divider by the required amount. In such a scenario, the entire portion of numerator for the fractional feedback divider must be written on every attempt MSB first and LSB last to ensure that the output frequency does not jump during the update, as described in [Feedback Divider \(N\)](#). In every update cycle, a total of 46 bits needs to be updated leading to a maximum update rate of 8.7 kHz with a maximum I²C rate of 1 Mbps. The minimum step size of 0.55 ppb (parts per billion) is achieved for the maximum VCO frequency of 5.6 GHz and when reference input doubler is disabled and reference divider is set to 4. The minimum step size of 4.96 ppb (parts per billion) is achieved for the maximum VCO frequency of 4.8 GHz and when reference input doubler is enabled and reference divider is bypassed.

8.4.2.2 Fine Frequency Margining

IEEE802.3 dictates that Ethernet frames stay compliant to the standard specifications when clocked with a reference clock that is within ±100 ppm of its nominal frequency. In the worst case, an RX node with its local reference clock at –100 ppm from its nominal frequency should be able to work seamlessly with a TX node that has its own local reference clock at +100 ppm from its nominal frequency. Without any clock compensation on the RX node, the read pointer will severely lag behind the write pointer and cause FIFO overflow errors. On the contrary, when the RX node’s local clock operates at +100 ppm from its nominal frequency and the TX node’s

local clock operates at -100 ppm from its nominal frequency, FIFO underflow errors occur without any clock compensation.

To prevent such overflow and underflow errors from occurring, modern ASICs and FPGAs include a clock compensation scheme that introduces elastic buffers. Such a system, shown in [Figure 8-4](#), is validated thoroughly during the validation phase by interfacing slower nodes with faster ones and ensuring compliance to IEEE802.3. The LMK61E07 provides the ability to fine tune the frequency of its outputs based on changing its load capacitance for the integrated oscillator. This fine tuning can be done through I²C as described in [Integrated Oscillator](#). The change in load capacitance is implemented in a manner such that the output of LMK61E07 undergoes a smooth monotonic change in frequency.

8.4.2.3 Coarse Frequency Margining

Certain systems require the processors to be tested at clock frequencies that are slower or faster by 5% or 10%. The LMK61E07 offers the ability to change its output divider for the desired change from its nominal output frequency as explained in [High-Speed Output Divider](#).

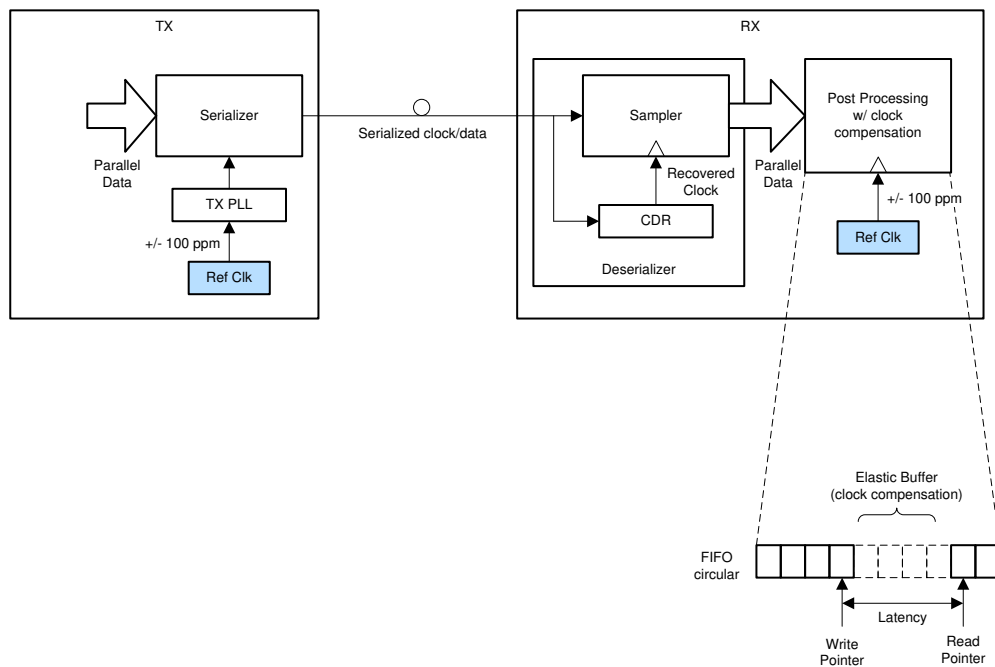


Figure 8-4. System Implementation With Clock Compensation for Standards Compliance

8.5 Programming

8.5.1 I²C Serial Interface

The I²C port on the LMK61E07 works as a target device and supports both the 100-kHz standard mode and 1-MHz fast mode operations. Fast mode imposes a glitch tolerance requirement on the control signals. Therefore, the input receivers ignore pulses of less than 50-ns duration. The I²C timing is given in *I²C-Compatible Interface Characteristics (SDA, SCL)*. The timing diagram is given in [Figure 8-5](#).

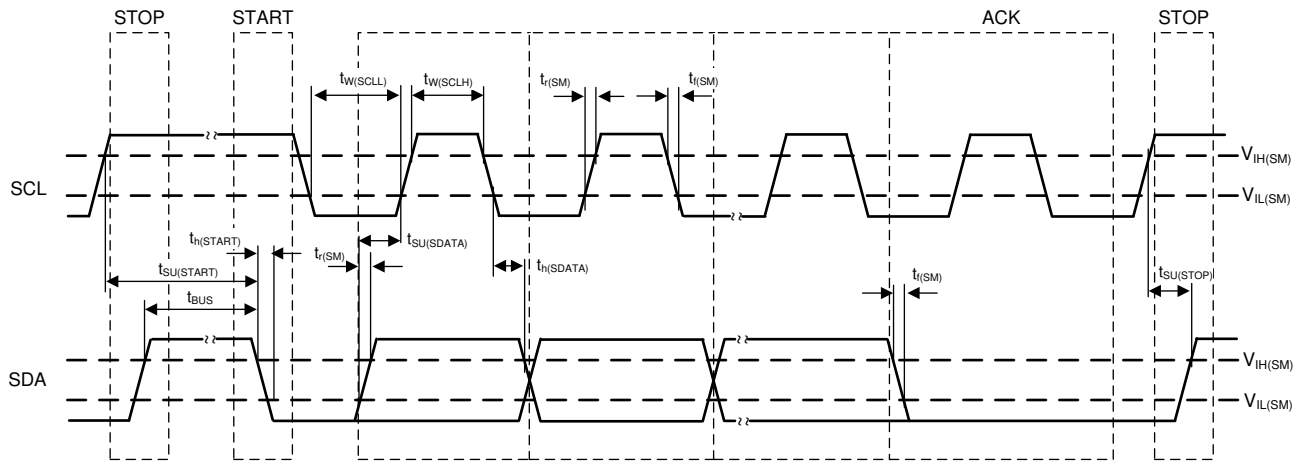


Figure 8-5. I²C Timing Diagram

In an I²C bus system, the LMK61E07 acts as a target device and is connected to the serial bus (data bus SDA and lock bus SCL). These are accessed through a 7-bit target address transmitted as part of an I²C packet. Only the device with a matching target address responds to subsequent I²C commands. The device target address is 1011001 or 0x59.

During the data transfer through the I²C interface, one clock pulse is generated for each data bit transferred. The data on the SDA line must be stable during the high period of the clock. The high or low state of the data line can change only when the clock signal on the SCL line is low. The start data transfer condition is characterized by a high-to-low transition on the SDA line while SCL is high. The stop data transfer condition is characterized by a low-to-high transition on the SDA line while SCL is high. The start and stop conditions are always initiated by the controller. Every byte on the SDA line must be eight bits long. Each byte must be followed by an acknowledge bit and bytes are sent MSB first. The I²C register structure of the LMK61E07 is shown in [Figure 8-6](#).

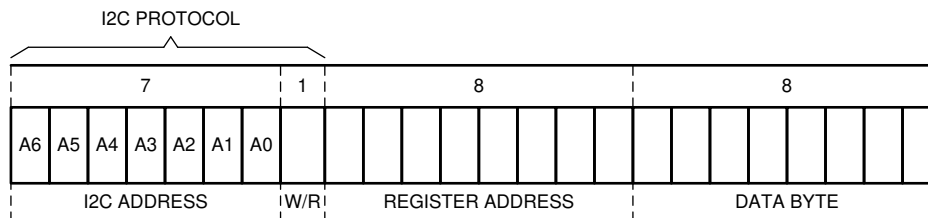


Figure 8-6. I²C Register Structure

The acknowledge bit (A) or non-acknowledge bit (A') is the 9th bit attached to any 8-bit data byte and is always generated by the receiver to inform the transmitter that the byte has been received (when A = 0) or not (when A' = 0). A = 0 is done by pulling the SDA line low during the 9th clock pulse and A' = 0 is done by leaving the SDA line high during the 9th clock pulse.

The I²C controller initiates the data transfer by asserting a start condition which initiates a response from all target devices connected to the serial bus. Based on the 8-bit address byte sent by the controller over the SDA line (consisting of the 7-bit target address (MSB first) and an R/W' bit), the device whose address corresponds to

the transmitted address responds by sending an acknowledge bit. All other devices on the bus remain idle while the selected device waits for data transfer with the controller.

After the data transfer has occurred, stop conditions are established. In write mode, the controller asserts a stop condition to end data transfer during the 10th clock pulse following the acknowledge bit for the last data byte from the target. In read mode, the controller receives the last data byte from the target but does not pull SDA low during the 9th clock pulse. This is known as a non-acknowledge bit. By receiving the non-acknowledge bit, the target knows the data transfer is finished and enters the idle mode. The controller then takes the data line low during the low period before the 10th clock pulse, and high during the 10th clock pulse to assert a stop condition. A generic transaction is shown in [Figure 8-7](#).

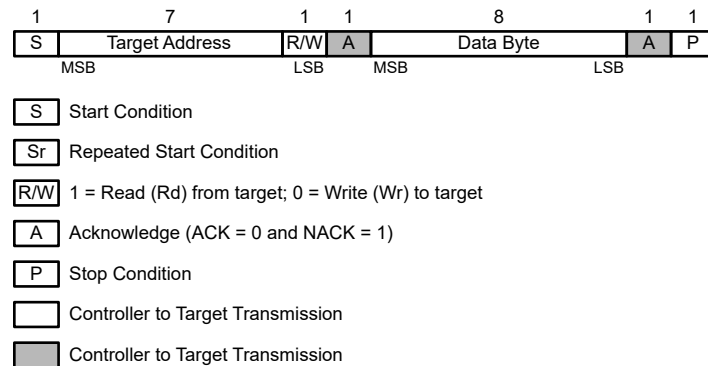


Figure 8-7. Generic Programming Sequence

The LMK61E07 I²C interface supports *Block Register Write/Read*, *Read/Write SRAM*, and *Read/Write EEPROM* operations. For *Block Register Write/Read* operations, the I²C controller can individually access addressed registers that are made of an 8-bit data byte.

8.5.2 Block Register Write

The I²C *Block Register Write* transaction is illustrated in [Figure 8-8](#) and consists of the following sequence.

1. Controller issues a Start Condition.
2. Controller writes the 7-bit Target Address following by a Write bit.
3. Controller writes the 8-bit Register address as the CommandCode of the programming sequence.
4. Controller writes one or more data bytes each of which should be acknowledged by the target. The target increments the internal register address after each byte.
5. Controller issues a Stop Condition to terminate the transaction.

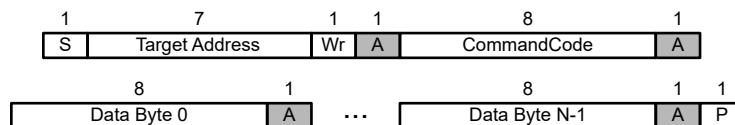


Figure 8-8. Block Register Write Programming Sequence

8.5.3 Block Register Read

The I²C *Block Register Read* transaction is illustrated in [Figure 8-9](#) and consists of the following sequence.

1. Controller issues a Start Condition.
2. Controller writes the 7-bit Target Address followed by a Write bit.
3. Controller writes the 8-bit Register address as the CommandCode of the programming sequence.
4. Controller issues a Repeated Start Condition.
5. Controller writes the 7-bit Target Address following by a Read bit.
6. Target returns one or more data bytes as long as the Controller continues to acknowledge them. The target increments the internal register address after each byte.
7. Controller issues a Stop Condition to terminate the transaction.

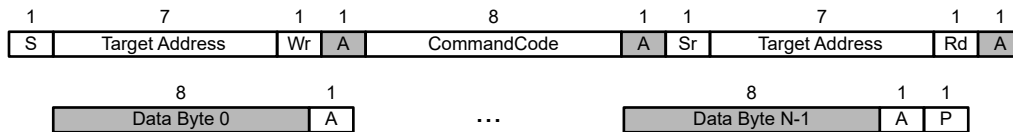


图 8-9. Block Register Read Programming Sequence

8.5.4 Write SRAM

The on-chip SRAM is a volatile, shadow memory array used to temporarily store register data, and is intended only for programming the non-volatile EEPROM. The SRAM has the identical data format as the EEPROM map. The register configuration data can be transferred to the SRAM array through special memory access registers in the register map. To successfully program the SRAM, the complete base array and at least one page should be written. The following details the programming sequence to transfer the device registers into the SRAM.

1. Program the device registers to match a desired setting.
2. Write a 1 to R49[6]. This ensures that the device registers are copied to the SRAM.

The SRAM can also be written with particular values according to the following programming sequence.

1. Write the SRAM address in R51.
2. Write the desired data byte in R53 in the same I²C transaction and this data byte will be written to the address specified in the step above. Any additional access that is part of the same transaction will cause the SRAM address to be incremented and a write will take place to the next SRAM address. Access to SRAM will terminate at the end of current I²C transaction.

注

It is possible to increment SRAM address incorrectly when 2 successive accesses are made to R51.

8.5.5 Write EEPROM

The on-chip EEPROM is a non-volatile memory array used to permanently store register data for a custom device start-up configuration setting to initialize registers upon power up or POR. The EEPROM is comprised of bits shown in the EEPROM Map. The transfer must first happen to the SRAM and then to the EEPROM. During *EEPROM write*, R49[2] is a 1 and the EEPROM contents cannot be accessed. The following details the programming sequence to transfer the entire contents of SRAM to EEPROM.

1. Make sure the *Write SRAM* procedure (Write SRAM) was done to commit the register settings to the SRAM with start-up configurations intended for programming to the EEPROM.
2. Write 0xBE to R56. This provides basic protection from inadvertent programming of EEPROM.
3. Write a 1 to R49[0]. This programs the entire SRAM contents to EEPROM. Once completed, the contents in R48 will increment by 1. R48 contains the total number of EEPROM programming cycles that are successfully completed.
4. Write 0x00 to R56 to protect against inadvertent programming of EEPROM.

8.5.6 Read SRAM

The contents of the SRAM can be read out, one word at a time, starting with that of the requested address. Following details the programming sequence for an SRAM read by address.

1. Write the SRAM address in R51.
2. The SRAM data located at the address specified in the step above can be obtained by reading R53 in the same I²C transaction. Any additional access that is part of the same transaction will cause the SRAM address to be incremented and a read will take place of the next SRAM address. Access to SRAM will terminate at the end of current I²C transaction.

注

It is possible to increment SRAM address incorrectly when 2 successive accesses are made to R51.

8.5.7 Read EEPROM

The contents of the EEPROM can be read out, one word at a time, starting with that of the requested address. Following details the programming sequence for an EEPROM read by address.

1. Write the EEPROM address in R51.
2. The EEPROM data located at the address specified in the step above can be obtained by reading R52 in the same I²C transaction. Any additional access that is part of the same transaction will cause the EEPROM address to be incremented and a read will take place of the next EEPROM address. Access to EEPROM will terminate at the end of current I²C transaction.

注

It is possible to increment EEPROM address incorrectly when 2 successive accesses are made to R51.

8.6 Register Maps

Any bit that is labeled as *RESERVED* should be written with a 0.

表 8-1. EEPROM Map

BYTE NO.	BIT7	BIT6	BIT5	BIT4	BIT3	BIT2	BIT1	BIT0
0	RESERVED	RESERVED	RESERVED	RESERVED	RESERVED	RESERVED	RESERVED	RESERVED
1	RESERVED	RESERVED	RESERVED	RESERVED	RESERVED	RESERVED	RESERVED	RESERVED
2	RESERVED	RESERVED	RESERVED	RESERVED	RESERVED	RESERVED	RESERVED	RESERVED
3	RESERVED	RESERVED	RESERVED	RESERVED	RESERVED	RESERVED	RESERVED	RESERVED
4	NVMSCRC[7]	NVMSCRC[6]	NVMSCRC[5]	NVMSCRC[4]	NVMSCRC[3]	NVMSCRC[2]	NVMSCRC[1]	NVMSCRC[0]
5	NVMCNT[7]	NVMCNT[6]	NVMCNT[5]	NVMCNT[4]	NVMCNT[3]	NVMCNT[2]	NVMCNT[1]	NVMCNT[0]
6	1	RESERVED	RESERVED	RESERVED	RESERVED	1	RESERVED	RESERVED
7	RESERVED	RESERVED	1	RESERVED	RESERVED	RESERVED	RESERVED	1
8	RESERVED	RESERVED	RESERVED	RESERVED	RESERVED	RESERVED	RESERVED	RESERVED
9	TARGETADR[7]	TARGETADR[6]	TARGETADR[5]	TARGETADR[4]	TARGETADR[3]	RESERVED	RESERVED	RESERVED
10	EEREV[7]	EEREV[6]	EEREV[5]	EEREV[4]	EEREV[3]	EEREV[2]	EEREV[1]	EEREV[0]
11	RESERVED	PLL_PDN	RESERVED	RESERVED	RESERVED	RESERVED	AUTOSTRT	RESERVED
14	RESERVED	RESERVED	RESERVED	RESERVED	RESERVED	1	RESERVED	1
15	RESERVED	XO_CAPCTRL[1]	XO_CAPCTRL[0]	XO_CAPCTRL[9]	XO_CAPCTRL[8]	XO_CAPCTRL[7]	XO_CAPCTRL[6]	XO_CAPCTRL[5]
16	XO_CAPCTRL[4]	XO_CAPCTRL[3]	XO_CAPCTRL[2]	RESERVED	RESERVED	RESERVED	RESERVED	RESERVED
19	RESERVED	RESERVED	RESERVED	RESERVED	RESERVED	RESERVED	RESERVED	RESERVED
20	RESERVED	RESERVED	RESERVED	RESERVED	RESERVED	RESERVED	RESERVED	RESERVED
21	RESERVED	RESERVED	RESERVED	RESERVED	RESERVED	RESERVED	RESERVED	PLL_RDIV
22	PLL_NDIV[11]	PLL_NDIV[10]	PLL_NDIV[9]	PLL_NDIV[8]	PLL_NDIV[7]	PLL_NDIV[6]	PLL_NDIV[5]	PLL_NDIV[4]
23	PLL_NDIV[3]	PLL_NDIV[2]	PLL_NDIV[1]	PLL_NDIV[0]	PLL_NUM[21]	PLL_NUM[20]	PLL_NUM[19]	PLL_NUM[18]
24	PLL_NUM[17]	PLL_NUM[16]	PLL_NUM[15]	PLL_NUM[14]	PLL_NUM[13]	PLL_NUM[12]	PLL_NUM[11]	PLL_NUM[10]
25	PLL_NUM[9]	PLL_NUM[8]	PLL_NUM[7]	PLL_NUM[6]	PLL_NUM[5]	PLL_NUM[4]	PLL_NUM[3]	PLL_NUM[2]
26	PLL_NUM[1]	PLL_NUM[0]	PLL_DEN[21]	PLL_DEN[20]	PLL_DEN[19]	PLL_DEN[18]	PLL_DEN[17]	PLL_DEN[16]
27	PLL_DEN[15]	PLL_DEN[14]	PLL_DEN[13]	PLL_DEN[12]	PLL_DEN[11]	PLL_DEN[10]	PLL_DEN[9]	PLL_DEN[8]
28	PLL_DEN[7]	PLL_DEN[6]	PLL_DEN[5]	PLL_DEN[4]	PLL_DEN[3]	PLL_DEN[2]	PLL_DEN[1]	PLL_DEN[0]
29	PLL_DTHRMODE[1]	PLL_DTHRMODE[0]	PLL_ORDER[1]	PLL_ORDER[0]	RESERVED	RESERVED	PLL_D	PLL_CP[3]
30	PLL_CP[2]	PLL_CP[1]	PLL_CP[0]	PLL_CP_PHASE_SHIFT[2]	PLL_CP_PHASE_SHIFT[1]	PLL_CP_PHASE_SHIFT[0]	PLL_ENABLE_C3[2]	PLL_ENABLE_C3[1]

表 8-1. EEPROM Map (continued)

BYTE NO.	BIT7	BIT6	BIT5	BIT4	BIT3	BIT2	BIT1	BIT0
31	PLL_ENABLE_C3[0]	PLL_LF_R2[7]	PLL_LF_R2[6]	PLL_LF_R2[5]	PLL_LF_R2[4]	PLL_LF_R2[3]	PLL_LF_R2[2]	PLL_LF_R2[1]
32	PLL_LF_R2[0]	PLL_LF_C1[2]	PLL_LF_C1[1]	PLL_LF_C1[0]	PLL_LF_R3[6]	PLL_LF_R3[5]	PLL_LF_R3[4]	PLL_LF_R3[3]
33	PLL_LF_R3[2]	PLL_LF_R3[1]	PLL_LF_R3[0]	PLL_LF_C3[2]	PLL_LF_C3[1]	PLL_LF_C3[0]	RESERVED	RESERVED
34	PRE_DIV	OUT_DIV[8]	OUT_DIV[7]	OUT_DIV[6]	OUT_DIV[5]	OUT_DIV[4]	OUT_DIV[3]	OUT_DIV[2]
35	OUT_DIV[1]	OUT_DIV[0]	RESERVED	RESERVED	RESERVED	RESERVED	RESERVED	RESERVED

The default/reset values for each register is specified for LMK61E07.

表 8-2. Register Map

NAME	ADDR	RESET	BIT7	BIT6	BIT5	BIT4	BIT3	BIT2	BIT1	BIT0	
VNDRID_BY1	0	0x10	VNDRID[15:8]								
VNDRID_BY0	1	0x0B	VNDRID[7:0]								
PRODID	2	0x33	PRODID[7:0]								
REVID	3	0x00	REVID[7:0]								
TARGETADR	8	0xB0	TARGETADR[7:1]							RESERVED	
EEREV	9	0x00	EEREV[7:0]								
DEV_CTL	10	0x01	RESERVED	PLL_PDN	RESERVED				ENCAL	AUTOSTRT	
XO_CAPCTRL_BY1	16	0x00	RESERVED							XO_CAPCTRL[1:0]	
XO_CAPCTRL_BY0	17	0x00	XO_CAPCTRL[9:2]								
DIFFCTL	21	0x01	DIFF_OUT_PD	RESERVED					OUT_SEL[1:0]		
OUTDIV_BY1	22	0x00	RESERVED								
OUTDIV_BY0	23	0x46	OUT_DIV[7:0]								
RDIVCMOSCTL	24	0x00	RESERVED								
PLL_NDIV_BY1	25	0x00	RESERVED					PLL_NDIV[11:8]			
PLL_NDIV_BY0	26	0x31	PLL_NDIV[7:0]								
PLL_FRACNUM_BY2	27	0x00	RESERVED			PLL_NUM[21:16]					
PLL_FRACNUM_BY1	28	0x01	PLL_NUM[15:8]								
PLL_FRACNUM_BY0	29	0x1F	PLL_NUM[7:0]								

表 8-2. Register Map (continued)

NAME	ADDR	RESET	BIT7	BIT6	BIT5	BIT4	BIT3	BIT2	BIT1	BIT0	
PLL_FRACDEN_BY2	30	0x00	RESERVED		PLL_DEN[21:16]						
PLL_FRACDEN_BY1	31	0x02	PLL_DEN[15:8]								
PLL_FRACDEN_BY0	32	0x71	PLL_DEN[7:0]								
PLL_MASHCTRL	33	0x0C	RESERVED				PLL_DTHRMODE[1:0]		PLL_ORDER[1:0]		
PLL_CTRL0	34	0x28	RESERVED		PLL_D	RESERVED	PLL_CP[3:0]				
PLL_CTRL1	35	0x03	RESERVED	PLL_CP_PHASE_SHIFT[2:0]			RESERVED	PLL_ENABLE_C3[2:0]			
PLL_LF_R2	36	0x28	PLL_LF_R2[7:0]								
PLL_LF_C1	37	0x00	RESERVED						PLL_LF_C1[2:0]		
PLL_LF_R3	38	0x00	RESERVED	PLL_LF_R3[6:0]							
PLL_LF_C3	39	0x00	RESERVED					PLL_LF_C3[2:0]			
PLL_CALCTRL	42	0x09	RESERVED			PLL_CLSDWAIT[1:0]		PLL_VCOWAIT[1:0]			
NVMSCRC	47	0x00	NVMSCRC[7:0]								
NVMCNT	48	0x00	NVMCNT[7:0]								
NVMCTL	49	0x10	RESERVED	REGCOMMIT	NVMCRCERR	NVMAUTCRC	NVMCOMMIT	NVMBUSY	NVMERASE	NVMPROG	
NVMLCRC	50	0x00	NVMLCRC[7:0]								
MEMADR	51	0x00	RESERVED	MEMADR[6:0]							
NVMDAT	52	0x00	NVMDAT[7:0]								
RAMDAT	53	0x00	RAMDAT[7:0]								
NVMUNLK	56	0x00	NVMUNLK[7:0]								
INT_LIVE	66	0x00	RESERVED						LOL	CAL	
SWRST	72	0x00	RESERVED						SWR2PLL	RESERVED	

8.6.1 Register Descriptions

8.6.1.1 VNDRID_BY1 Register; R0

VNDRID_BY1 and VNDRID_BY0 registers are used to store the unique 16-bit Vendor Identification number assigned to I²C vendors.

BIT NO.	FIELD	TYPE	DEFAULT	EEPROM	DESCRIPTION
[7:0]	VNDRID[15:8]	R	0x10	N	Vendor Identification Number Byte 1.

8.6.1.2 VNDRID_BY0 Register; R1

VNDRID_BY1 and VNDRID_BY0 registers are used to store the unique 16-bit Vendor Identification number assigned to I²C vendors.

BIT NO.	FIELD	TYPE	DEFAULT	EEPROM	DESCRIPTION
[7:0]	VNDRID[7:0]	R	0x0B	N	Vendor Identification Number Byte 0.

8.6.1.3 PRODID Register; R2

The Product Identification Number is a unique 8-bit identification number used to identify the LMK61E0.

BIT NO.	FIELD	TYPE	DEFAULT	EEPROM	DESCRIPTION
[7:0]	PRODID[7:0]	R	0x33	N	Product Identification Number.

8.6.1.4 REVID Register; R3

The REVID register is used to identify the LMK61E07 mask revision.

BIT NO.	FIELD	TYPE	DEFAULT	EEPROM	DESCRIPTION
[7:0]	REVID[7:0]	R	0x00	N	Device Revision Number. The Device Revision Number is used to identify the LMK61E07 mask-set revision used to fabricate this device.

8.6.1.5 TARGETADR Register; R8

The TARGETADR register reflects the 7-bit I²C Target Address value initialized from on-chip EEPROM.

BIT NO.	FIELD	TYPE	DEFAULT	EEPROM	DESCRIPTION
[7:1]	TARGETADR[7:1]	R	0x59	Y	I ² C Target Address. This field holds the 7-bit Target Address used to identify this device during I ² C transactions.
[0]	RESERVED	-	-	N	Reserved.

8.6.1.6 EEREV Register; R9

The EEREV register provides an EEPROM image revision record. EEPROM Image Revision is automatically retrieved from EEPROM and stored in the EEREV register after a reset or after a EEPROM commit operation.

BIT NO.	FIELD	TYPE	DEFAULT	EEPROM	DESCRIPTION
[7:0]	EEREV[7:0]	R	0x00	Y	EEPROM Image Revision ID

8.6.1.7 DEV_CTL Register; R10

The DEV_CTL register holds the control functions described in the following table.

BIT NO.	FIELD	TYPE	DEFAULT	EEPROM	DESCRIPTION
[7]	RESERVED	-	0	Y	Reserved.

BIT NO.	FIELD	TYPE	DEFAULT	EEPROM	DESCRIPTION						
[6]	PLL_PDN	RW	0	Y	PLL Powerdown. The PLL_PDN bit determines whether PLL is automatically enabled and calibrated after a hardware reset. If the PLL_PDN bit is set to 1 during normal operation then PLL is disabled and the calibration circuit is reset. When PLL_PDN is then cleared to 0 PLL is re-enabled and the calibration sequence is automatically restarted. <table border="1"> <thead> <tr> <th>PLL_PDN</th> <th>Value</th> </tr> </thead> <tbody> <tr> <td>0</td> <td>PLL Enabled</td> </tr> <tr> <td>1</td> <td>PLL Disabled</td> </tr> </tbody> </table>	PLL_PDN	Value	0	PLL Enabled	1	PLL Disabled
PLL_PDN	Value										
0	PLL Enabled										
1	PLL Disabled										
[5]	CMOS_SEL	RW	0	Y	Set to 0 for LMK61E07 .						
[4:2]	RESERVED[5:2]	RW	0	Y	Reserved.						
[1]	ENCAL	RWSC	0	N	Enable Frequency Calibration. Triggers PLL/VCO calibration on the PLL on 0 → 1 transition of ENCAL. This bit is self-clearing and set to a 0 after PLL/VCO calibration is complete. In powerup or software rest mode, AUTOSTRT takes precedence.						
[0]	AUTOSTRT	RW	1	Y	Autostart. If AUTOSTRT is set to 1 the device will automatically attempt to achieve lock and enable outputs after a device reset. A device reset can be triggered by the power-on-reset or by writing to the SWR2PLL bit. If AUTOSTRT is 0 then the device will halt after the configuration phase, a subsequent write to set the AUTOSTRT bit to 1 will trigger the PLL Lock sequence.						

8.6.1.8 XO_CAPCTRL_BY1 Register; R16

XO Margining Offset Value bits[9:8]

BIT NO.	FIELD	TYPE	DEFAULT	EEPROM	DESCRIPTION
[7:2]	RESERVED[5:0]	-	-	N	Reserved.
[1:0]	XO_CAPCTRL [1:0]	RW	0x0	Y	XO offset value bits [1:0]

8.6.1.9 XO_CAPCTRL_BY0 Register; R17

XO Margining Offset Value bits[7:0]

BIT NO.	FIELD	TYPE	DEFAULT	EEPROM	DESCRIPTION
[7:0]	XO_CAPCTRL [9:2]	RW	0x00	Y	xo offset value bits[9:2]

8.6.1.10 DIFFCTL Register; R21

The DIFFCTL register provides control over Output for LMK61E07.

Bit #	Field	Type	DEFAULT	EEPROM	Description										
[7]	DIFF_OUT_PD	RW	0	N	Power down differential output buffer in LMK61E07 .										
[6:2]	RESERVED	-	-	N	Reserved.										
[1:0]	OUT_SEL[1:0]	RW	0x1	Y	Channel Output Driver Select in LMK61E07 . The OUT_SEL field controls the Channel Output Driver as shown below. <table border="1"> <thead> <tr> <th>OUT_SEL</th> <th>OUTPUT OPERATION</th> </tr> </thead> <tbody> <tr> <td>0 (0x0)</td> <td>Tri-State</td> </tr> <tr> <td>1 (0x1)</td> <td>LVPECL</td> </tr> <tr> <td>2 (0x2)</td> <td>LVDS</td> </tr> <tr> <td>3 (0x3)</td> <td>HCSL</td> </tr> </tbody> </table>	OUT_SEL	OUTPUT OPERATION	0 (0x0)	Tri-State	1 (0x1)	LVPECL	2 (0x2)	LVDS	3 (0x3)	HCSL
OUT_SEL	OUTPUT OPERATION														
0 (0x0)	Tri-State														
1 (0x1)	LVPECL														
2 (0x2)	LVDS														
3 (0x3)	HCSL														

8.6.1.11 OUTDIV_BY1 Register; R22

The 9-bit output integer divider value is set by the OUTDIV_BY1 and OUTDIV_BY0 registers.

BIT NO.	FIELD	TYPE	DEFAULT	EEPROM	DESCRIPTION
[7:1]	RESERVED	-	-	Y	Reserved.
[0]	OUT_DIV[8]	RW	0	Y	Channel's Output Divider Byte 1 (Bit 8). The Channel Divider, OUT_DIV, is a 9-bit divider. The valid register values range from 5-511.
	OUT_DIV				DIVIDE RATIO
	0-4				RESERVED
	5 (0x006)				5
	6 (0x007)				6

	511 (0x1FF)				511

8.6.1.12 OUTDIV_BY0 Register; R23

The 9-bit output integer divider value is set by the OUTDIV_BY1 and OUTDIV_BY0 registers.

BIT NO.	FIELD	TYPE	DEFAULT	EEPROM	DESCRIPTION
[7:0]	OUT_DIV[7:0]	RW	0x46	Y	Channel's Output Divider Byte 0 (Bits 7-0).

8.6.1.13 RDIVCMOSCTL Register; R24

Sets R divider for LMK61E07.

BIT NO.	FIELD	TYPE	DEFAULT	EEPROM	DESCRIPTION
[7:1]	RESERVED	-	-	N	Reserved.
[0]	PLL_RDIV	RW	0	Y	On LMK61E07, R divider is set to divide-by-4 when set to 1 and R divider is bypassed when set to 0.

8.6.1.14 PLL_NDIV_BY1 Register; R25

The 12-bit N integer divider value for PLL is set by the PLL_NDIV_BY1 and PLL_NDIV_BY0 registers.

BIT NO.	FIELD	TYPE	DEFAULT	EEPROM	DESCRIPTION
[7:4]	RESERVED	-	-	N	Reserved.
[3:0]	PLL_NDIV[11:8]	RW	0x0	Y	PLL N Divider Byte 1. PLL Integer N Divider bits [11:8].

8.6.1.15 PLL_NDIV_BY0 Register; R26

The PLL_NDIV_BY0 register is described in the following table.

BIT NO.	FIELD	TYPE	DEFAULT	EEPROM	DESCRIPTION
[7:0]	PLL_NDIV[7:0]	RW	0x31	Y	PLL N Divider Byte 0. PLL Integer N Divider bits [7:0].

8.6.1.16 PLL_FRACNUM_BY2 Register; R27

The 22-bit Fractional Divider Numerator value for PLL is set by registers PLL_FRACNUM_BY2, PLL_FRACNUM_BY1 and PLL_FRACNUM_BY0.

BIT NO.	FIELD	TYPE	DEFAULT	EEPROM	DESCRIPTION
[7:6]	RESERVED	-	-	N	Reserved.

BIT NO.	FIELD	TYPE	DEFAULT	EEPROM	DESCRIPTION
[5:0]	PLL_NUM[21:16]	RW	0x00	Y	PLL Fractional Divider Numerator Byte 2. Bits [21:16]

8.6.1.17 PLL_FRACNUM_BY1 Register; R28

The PLL_FRACNUM_BY1 register is described in the following table.

BIT NO.	FIELD	TYPE	DEFAULT	EEPROM	DESCRIPTION
[7:0]	PLL_NUM[15:8]	RW	0x01	Y	PLL Fractional Divider Numerator Byte 1. Bits [15:8].

8.6.1.18 PLL_FRACNUM_BY0 Register; R29

The PLL_FRACNUM_BY0 register is described in the following table.

BIT NO.	FIELD	TYPE	DEFAULT	EEPROM	DESCRIPTION
[7:0]	PLL_NUM[7:0]	RW	0x1F	Y	PLL Fractional Divider Numerator Byte 0. Bits [7:0]. When using DCXO mode, the fractional numerator bits in R27, R28, and R29 should be written in that order (MSB first and LSB last) to avoid intermediate frequency jumps.

8.6.1.19 PLL_FRACDEN_BY2 Register; R30

The 22-bit Fractional Divider Denominator value for PLL is set by registers PLL_FRACDEN_BY2, PLL_FRACDEN_BY1 and PLL_FRACDEN_BY0.

BIT NO.	FIELD	TYPE	DEFAULT	EEPROM	DESCRIPTION
[7:6]	RESERVED	-	-	N	Reserved.
[5:0]	PLL_DEN[21:16]	RW	0x00	Y	PLL Fractional Divider Denominator Byte 2. Bits [21:16].

8.6.1.20 PLL_FRACDEN_BY1 Register; R31

The PLL_FRACDEN_BY1 register is described in the following table.

BIT NO.	FIELD	TYPE	DEFAULT	EEPROM	DESCRIPTION
[7:0]	PLL_DEN[15:8]	RW	0x02	Y	PLL Fractional Divider Denominator Byte 1. Bits [15:8].

8.6.1.21 PLL_FRACDEN_BY0 Register; R32

The PLL_FRACDEN_BY0 register is described in the following table.

BIT NO.	FIELD	TYPE	DEFAULT	EEPROM	DESCRIPTION
[7:0]	PLL_DEN[7:0]	RW	0x71	Y	PLL Fractional Divider Denominator Byte 0. Bits [7:0].

8.6.1.22 PLL_MASHCTRL Register; R33

The PLL_MASHCTRL register provides control of the fractional divider for PLL.

BIT NO.	FIELD	TYPE	DEFAULT	EEPROM	DESCRIPTION
[7:4]	RESERVED	-	-	N	Reserved.

BIT NO.	FIELD	TYPE	DEFAULT	EEPROM	DESCRIPTION	
[3:2]	PLL_DTHRMODE[1:0]	RW	0x3	Y	Mash Engine dither mode control.	
					DITHERMODE	Dither Configuration
					0 (0x0)	Weak
					1 (0x1)	Reserved
					2 (0x2)	Reserved
3 (0x3)	Dither Disabled					
[1:0]	PLL_ORDER[1:0]	RW	0x0	Y	Mash Engine Order.	
					ORDER	Order Configuration
					0 (0x0)	Integer Mode Divider
					1 (0x1)	Reserved
					2 (0x2)	Reserved
3 (0x3)	3rd order					

8.6.1.23 PLL_CTRL0 Register; R34

The PLL_CTRL1 register provides control of PLL. The PLL_CTRL1 register fields are described in the following table.

BIT NO.	FIELD	TYPE	DEFAULT	EEPROM	DESCRIPTION	
[7:6]	RESERVED	RW	0x0	Y	Reserved.	
[5]	PLL_D	RW	1	Y	PLL R Divider Frequency Doubler Enable. If PLL_D is 1 the R Divider Frequency Doubler is enabled.	
[4]	RESERVED	-	-	N	Reserved.	
[3:0]	PLL_CP[3:0]	RW	0x8	Y	PLL Charge Pump Current. Other combinations of PLL_CP[3:0] not in table below are reserved and not supported.	
					PLL_CP[3:0]	PLL Charge Pump Current
					4 (0x4)	1.6 mA
					8 (0x8)	6.4 mA

8.6.1.24 PLL_CTRL1 Register; R35

The PLL_CTRL3 register provides control of PLL. The PLL_CTRL3 register fields are described in the following table.

BIT NO.	FIELD	TYPE	DEFAULT	EEPROM	DESCRIPTION																		
[7]	RESERVED	-	-	N	Reserved.																		
[6:4]	PLL_CP_PHASE_SHIF T[2:0]	RW	0x0	Y	Program Charge Pump Phase Shift. <table border="1"> <thead> <tr> <th>PLL_CP_PHASE_SHIFT[2:0]</th> <th>Phase Shift</th> </tr> </thead> <tbody> <tr> <td>0 (0x0)</td> <td>No delay</td> </tr> <tr> <td>1 (0x1)</td> <td>1.3 ns for 100 MHz f_{PD}</td> </tr> <tr> <td>2 (0x2)</td> <td>1 ns for 100 MHz f_{PD}</td> </tr> <tr> <td>3 (0x3)</td> <td>0.9 ns for 100 MHz f_{PD}</td> </tr> <tr> <td>4 (0x4)</td> <td>1.3 ns for 50 MHz f_{PD}</td> </tr> <tr> <td>5 (0x5)</td> <td>1 ns for 50 MHz f_{PD}</td> </tr> <tr> <td>6 (0x6)</td> <td>0.9 ns for 50 MHz f_{PD}</td> </tr> <tr> <td>7 (0x7)</td> <td>0.7 ns for 50 MHz f_{PD}</td> </tr> </tbody> </table>	PLL_CP_PHASE_SHIFT[2:0]	Phase Shift	0 (0x0)	No delay	1 (0x1)	1.3 ns for 100 MHz f_{PD}	2 (0x2)	1 ns for 100 MHz f_{PD}	3 (0x3)	0.9 ns for 100 MHz f_{PD}	4 (0x4)	1.3 ns for 50 MHz f_{PD}	5 (0x5)	1 ns for 50 MHz f_{PD}	6 (0x6)	0.9 ns for 50 MHz f_{PD}	7 (0x7)	0.7 ns for 50 MHz f_{PD}
PLL_CP_PHASE_SHIFT[2:0]	Phase Shift																						
0 (0x0)	No delay																						
1 (0x1)	1.3 ns for 100 MHz f_{PD}																						
2 (0x2)	1 ns for 100 MHz f_{PD}																						
3 (0x3)	0.9 ns for 100 MHz f_{PD}																						
4 (0x4)	1.3 ns for 50 MHz f_{PD}																						
5 (0x5)	1 ns for 50 MHz f_{PD}																						
6 (0x6)	0.9 ns for 50 MHz f_{PD}																						
7 (0x7)	0.7 ns for 50 MHz f_{PD}																						
[3]	RESERVED	-	-	N	Reserved.																		
[2]	PLL_ENABLE_C3	RW	0x0	Y	Disable third order capacitor in the low pass filter. <table border="1"> <thead> <tr> <th>PLL_ENABLE_C3</th> <th>MODE</th> </tr> </thead> <tbody> <tr> <td>0</td> <td>2nd order loop filter recommended setting</td> </tr> <tr> <td>1</td> <td>Enables C3, 3rd order loop filter enabled</td> </tr> </tbody> </table>	PLL_ENABLE_C3	MODE	0	2nd order loop filter recommended setting	1	Enables C3, 3rd order loop filter enabled												
PLL_ENABLE_C3	MODE																						
0	2nd order loop filter recommended setting																						
1	Enables C3, 3rd order loop filter enabled																						
[1:0]	RESERVED	-	0x3	Y	Reserved.																		

8.6.1.25 PLL_LF_R2 Register; R36

The PLL_LF_R2 register controls the value of the PLL Loop Filter R2.

BIT NO.	FIELD	TYPE	DEFAULT	EEPROM	DESCRIPTION														
[7:0]	PLL_LF_R2[7:0]	RW	0x28	Y	PLL Loop Filter R2. NOTE: Table below lists commonly used R2 values but more selections are available. <table border="1"> <thead> <tr> <th>PLL_LF_R2[7:0]</th> <th>R2 (Ω)</th> </tr> </thead> <tbody> <tr> <td>1 (0x01)</td> <td>200</td> </tr> <tr> <td>4 (0x04)</td> <td>500</td> </tr> <tr> <td>8 (0x08)</td> <td>700</td> </tr> <tr> <td>32 (0x20)</td> <td>1600</td> </tr> <tr> <td>48 (0x30)</td> <td>2400</td> </tr> <tr> <td>64 (0x40)</td> <td>3200</td> </tr> </tbody> </table>	PLL_LF_R2[7:0]	R2 (Ω)	1 (0x01)	200	4 (0x04)	500	8 (0x08)	700	32 (0x20)	1600	48 (0x30)	2400	64 (0x40)	3200
PLL_LF_R2[7:0]	R2 (Ω)																		
1 (0x01)	200																		
4 (0x04)	500																		
8 (0x08)	700																		
32 (0x20)	1600																		
48 (0x30)	2400																		
64 (0x40)	3200																		

8.6.1.26 PLL_LF_C1 Register; R37

The PLL_LF_C1 register controls the value of the PLL Loop Filter C1.

BIT NO.	FIELD	TYPE	DEFAULT	EEPROM	DESCRIPTION
[7:3]	RESERVED	-	-	N	Reserved.
[2:0]	PLL_LF_C1[2:0]	RW	0x0	Y	PLL Loop Filter C1. The value in pF is given by $5 + 50 * PLL_LF_C1$ (in decimal).

8.6.1.27 PLL_LF_R3 Register; R38

The PLL_LF_R3 register controls the value of the PLL Loop Filter R3.

BIT NO.	FIELD	TYPE	DEFAULT	EEPROM	DESCRIPTION																
[7]	RESERVED	-	-	N	Reserved.																
[6:0]	PLL_LF_R3[6:0]	RW	0x00	Y	PLL Loop Filter R3. NOTE: Table below lists commonly used R3 values but more selections are available. <table border="1" style="width: 100%; margin-top: 5px;"> <thead> <tr> <th>PLL_LF_R3[6:0]</th> <th>R3 (Ω)</th> </tr> </thead> <tbody> <tr><td>0 (0x00)</td><td>18</td></tr> <tr><td>3 (0x03)</td><td>205</td></tr> <tr><td>8 (0x08)</td><td>854</td></tr> <tr><td>9 (0x09)</td><td>1136</td></tr> <tr><td>12 (0x0C)</td><td>1535</td></tr> <tr><td>17 (0x11)</td><td>1936</td></tr> <tr><td>20 (0x14)</td><td>2335</td></tr> </tbody> </table>	PLL_LF_R3[6:0]	R3 (Ω)	0 (0x00)	18	3 (0x03)	205	8 (0x08)	854	9 (0x09)	1136	12 (0x0C)	1535	17 (0x11)	1936	20 (0x14)	2335
PLL_LF_R3[6:0]	R3 (Ω)																				
0 (0x00)	18																				
3 (0x03)	205																				
8 (0x08)	854																				
9 (0x09)	1136																				
12 (0x0C)	1535																				
17 (0x11)	1936																				
20 (0x14)	2335																				

8.6.1.28 PLL_LF_C3 Register; R39

The PLL_LF_C3 register controls the value of the PLL Loop Filter C3.

BIT NO.	FIELD	TYPE	DEFAULT	EEPROM	DESCRIPTION
[7:3]	RESERVED	-	-	N	Reserved.
[2:0]	PLL_LF_C3[2:0]	RW	0x0	Y	PLL Loop Filter C3. The value in pF is given by 5 * PLL_LF_C3 (in decimal).

8.6.1.29 PLL_CALCTRL Register; R42

The PLL_CALCTRL register is described in the following table.

BIT NO.	FIELD	TYPE	DEFAULT	EEPROM	DESCRIPTION										
[7:4]	RESERVED	-	-	N	Reserved.										
[3:2]	PLL_CLSDWAIT[1:0]	RW	0x2	Y	Closed Loop wait Period. The CLSDWAIT field sets the closed loop wait period. Recommended value is 0x2. <table border="1" style="width: 100%; margin-top: 5px;"> <thead> <tr> <th>CLSDWAIT</th> <th>Analog closed loop VCO stabilization time</th> </tr> </thead> <tbody> <tr><td>0 (0x0)</td><td>150 μs</td></tr> <tr><td>1 (0x1)</td><td>300 μs</td></tr> <tr><td>2 (0x2)</td><td>500 μs</td></tr> <tr><td>3 (0x3)</td><td>2000 μs</td></tr> </tbody> </table>	CLSDWAIT	Analog closed loop VCO stabilization time	0 (0x0)	150 μs	1 (0x1)	300 μs	2 (0x2)	500 μs	3 (0x3)	2000 μs
CLSDWAIT	Analog closed loop VCO stabilization time														
0 (0x0)	150 μs														
1 (0x1)	300 μs														
2 (0x2)	500 μs														
3 (0x3)	2000 μs														
[1:0]	PLL_VCOWAIT[1:0]	RW	0x1	Y	VCO wait Period. Recommended value is 0x1. <table border="1" style="width: 100%; margin-top: 5px;"> <thead> <tr> <th>VCOWAIT</th> <th>VCO stabilization time</th> </tr> </thead> <tbody> <tr><td>0 (0x0)</td><td>20 μs</td></tr> <tr><td>1 (0x1)</td><td>400 μs</td></tr> <tr><td>2 (0x2)</td><td>4000 μs</td></tr> <tr><td>3 (0x3)</td><td>10000 μs</td></tr> </tbody> </table>	VCOWAIT	VCO stabilization time	0 (0x0)	20 μs	1 (0x1)	400 μs	2 (0x2)	4000 μs	3 (0x3)	10000 μs
VCOWAIT	VCO stabilization time														
0 (0x0)	20 μs														
1 (0x1)	400 μs														
2 (0x2)	4000 μs														
3 (0x3)	10000 μs														

8.6.1.30 NVMSCRC Register; R47

The NVMSCRC register holds the Stored CRC (Cyclic Redundancy Check) byte that has been retrieved from on-chip EEPROM.

BIT NO.	FIELD	TYPE	DEFAULT	EEPROM	DESCRIPTION
[7:0]	NVMSCRC[7:0]	R	0x00	Y	EEPROM Stored CRC.

8.6.1.31 NVMCNT Register; R48

The NVMCNT register is intended to reflect the number of on-chip EEPROM Erase/Program cycles that have taken place in EEPROM. The count is automatically incremented by hardware and stored in EEPROM.

BIT NO.	FIELD	TYPE	DEFAULT	EEPROM	DESCRIPTION
[7:0]	NVMCNT[7:0]	R	0x00	Y	EEPROM Program Count. The NVMCNT increments automatically after every EEPROM Erase/Program Cycle. The NVMCNT value is retrieved automatically after reset, after a EEPROM Commit operation or after a Erase/Program cycle. The NVMCNT register will increment until it reaches its maximum value of 255 after which no further increments will take place.

8.6.1.32 NVMCTL Register; R49

The NVMCTL register allows control of the on-chip EEPROM Memories.

BIT NO.	FIELD	TYPE	DEFAULT	EEPROM	DESCRIPTION
[7]	RESERVED	-	-	N	Reserved.
[6]	REGCOMMIT	RWSC	0	N	REG Commit to EEPROM SRAM Array. The REGCOMMIT bit is used to initiate a transfer from the on-chip registers back to the corresponding location in the EEPROM SRAM Array. The REGCOMMIT bit is automatically cleared to 0 when the transfer is complete.
[5]	NVMCRRCERR	R	0	N	EEPROM CRC Error Indication. The NVMCRRCERR bit is set to 1 if a CRC Error has been detected when reading back from on-chip EEPROM during device configuration.
[4]	NVMAUTCRC	RW	1	N	EEPROM Automatic CRC. When NVMAUTCRC is 1 then the EEPROM Stored CRC byte is automatically calculated whenever a EEPROM program takes place.
[3]	NVMCOMMIT	RWSC	0	N	EEPROM Commit to Registers. The NVMCOMMIT bit is used to initiate a transfer of the on-chip EEPROM contents to internal registers. The transfer happens automatically after reset or when NVMCOMMIT is set to 1. The NVMCOMMIT bit is automatically cleared to 0. The I ² C registers cannot be read while a EEPROM Commit operation is taking place.
[2]	NVMBUSY	R	0	N	EEPROM Program Busy Indication. The NVMBUSY bit is 1 during an on-chip EEPROM Erase/Program cycle. While NVMBUSY is 1 the on-chip EEPROM cannot be accessed.
[1]	NVMERASE	RWSC	0	N	EEPROM Erase Start. The NVMERASE bit is used to begin an on-chip EEPROM Erase cycle. The Erase cycle is only initiated if the immediately preceding I ² C transaction was a write to the NVMUNLK register with the appropriate code. The NVMERASE bit is automatically cleared to 0. The EEPROM Erase operation takes around 115ms.

BIT NO.	FIELD	TYPE	DEFAULT	EEPROM	DESCRIPTION
[0]	NVMPROG	RWSC	0	N	EEPROM Program Start. The NVMPROG bit is used to begin an on-chip EEPROM Program cycle. The Program cycle is only initiated if the immediately preceding I ² C transaction was a write to the NVMUNLK register with the appropriate code. The NVMPROG bit is automatically cleared to 0. If the NVMERASE and NVMPROG bits are set simultaneously then an ERASE/PROGRAM cycle will be executed. The EEPROM Program operation takes around 115ms.

8.6.1.33 NVMLCRC Register; R50

The NVMLCRC register holds the Live CRC (Cyclic Redundancy Check) byte.

BIT NO.	FIELD	TYPE	DEFAULT	EEPROM	DESCRIPTION
[7:0]	NVMLCRC[7:0]	R	0x00	N	EEPROM Live CRC.

8.6.1.34 MEMADR Register; R51

The MEMADR register holds 7-bits of the starting address for on-chip SRAM or EEPROM access.

BIT NO.	FIELD	TYPE	DEFAULT	EEPROM	DESCRIPTION
[7]	RESERVED	-	-	N	Reserved.
[6:0]	MEMADR[6:0]	RW	0x00	N	Memory Address. The MEMADR value determines the starting address for on-chip SRAM read/write access or on-chip EEPROM access. The internal address to access SRAM or EEPROM is automatically incremented; however the MEMADR register does not reflect the internal address in this way. When the SRAM or EEPROM arrays are accessed using the I ² C interface only bits [4:0] of MEMADR are used to form the byte Wise address.

8.6.1.35 NVMDAT Register; R52

The NVMDAT register returns the on-chip EEPROM contents from the starting address specified by the MEMADR register.

BIT NO.	FIELD	TYPE	DEFAULT	EEPROM	DESCRIPTION
[7:0]	NVMDAT[7:0]	R	0x00	N	EEPROM Read Data. The first time an I ² C read transaction accesses the NVMDAT register address, either because it was explicitly targeted or because the address was auto-incremented, the read transaction will return the EEPROM data located at the address specified by the MEMADR register. Any additional reads which are part of the same transaction will cause the EEPROM address to be incremented and the next EEPROM data byte will be returned. The I ² C address will no longer be auto-incremented, that is the I ² C address will be locked to the NVMDAT register after the first access. Access to the NVMDAT register will terminate at the end of the current I ² C transaction.

8.6.1.36 RAMDAT Register; R53

The RAMDAT register provides read and write access to the SRAM that forms part of the on-chip EEPROM module.

BIT NO.	FIELD	TYPE	DEFAULT	EEPROM	DESCRIPTION
[7:0]	RAMDAT[7:0]	RW	0x00	N	RAM Read/Write Data. The first time an I ² C read or write transaction accesses the RAMDAT register address, either because it was explicitly targeted or because the address was auto-incremented, a read transaction will return the RAM data located at the address specified by the MEMADR register and a write transaction will cause the current I ² C data to be written to the address specified by the MEMADR register. Any additional accesses which are part of the same transaction will cause the RAM address to be incremented and a read or write access will take place to the next SRAM address. The I ² C address will no longer be auto-incremented, that is the I ² C address will be locked to the RAMDAT register after the first access. Access to the RAMDAT register will terminate at the end of the current I ² C transaction.

8.6.1.37 NVMUNLK Register; R56

The NVMUNLK register provides a rudimentary level of protection to prevent inadvertent programming of the on-chip EEPROM.

BIT NO.	FIELD	TYPE	DEFAULT	EEPROM	DESCRIPTION
[7:0]	NVMUNLK[7:0]	RW	0x00	N	EEPROM Prog UnLock. The NVMUNLK register must be written immediately prior to setting the NVMPROG bit of register NVMCTL, otherwise the Erase/Program cycle will not be triggered. NVMUNLK must be written with a value of 0xBE.

8.6.1.38 INT_LIVE Register; R66

The INT_LIVE register reflects the current status of the interrupt sources.

BIT NO.	FIELD	TYPE	DEFAULT	EEPROM	DESCRIPTION
[7:2]	RESERVED	-	-	N	Reserved.
[1]	LOL	R	0	N	Loss of Lock PLL.
[0]	CAL	R	0	N	Calibration Active PLL.

8.6.1.39 SWRST Register; R72

The SWRST1 register provides software reset control for specific on-chip modules. Each bit in this register is individually self cleared after a write operation. The SWRST1 register will always return 0x00 in a read transaction.

BIT NO.	FIELD	TYPE	DEFAULT	EEPROM	DESCRIPTION
[7:2]	RESERVED	-	-	N	Reserved.
[1]	SWR2PLL	RWSC	0	N	Software Reset PLL. Setting SWR2PLL to 1 resets the PLL calibrator and clock dividers. This bit is automatically cleared to 0.
[0]	RESERVED	-	-	N	Reserved.

9 Application and Implementation

注

以下のアプリケーション情報は、TI の製品仕様に含まれるものではなく、TI ではその正確性または完全性を保証いたしません。個々の目的に対する製品の適合性については、お客様の責任で判断していただくこととなります。お客様は自身の設計実装を検証しテストすることで、システムの機能を確認する必要があります。

9.1 Application Information

The LMK61E07 features fine and coarse frequency margining capabilities which allow it to be used in applications requiring the output frequency to be adjusted on the fly. In fractional PLL mode, the numerator of the PLL fractional feedback divider can be updated over I²C to update the output frequency without glitches or spikes, allowing the device to be used as a DCXO. The output frequency step size for every bit change in the numerator of the PLL fractional feedback divider is given in [Configuring the PLL](#). The [Application Curves](#) section below illustrates the glitch-less switch in output frequency when the numerator is updated. The frequency margining features can also aid the hardware designer during the system debug and validation phase.

9.2 Typical Application

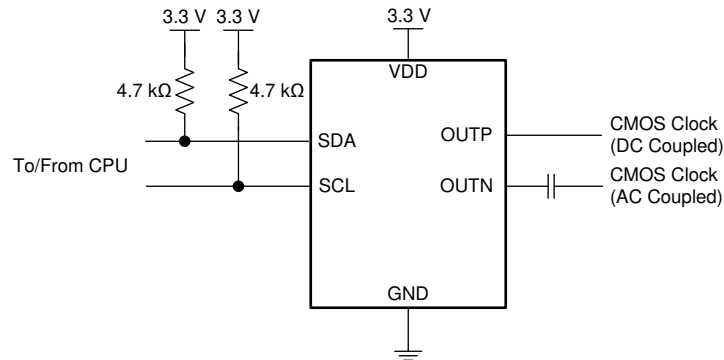


図 9-1. LMK61E07 Typical Application

9.2.1 Design Requirements

Consider a typical digital subscriber line (DSL) application, in which a local modem must track the clock signal of a network modem to ensure accurate and efficient data transfer. In such systems, a DCXO is implemented to allow a local processor to digitally control the oscillator frequency to maintain synchronization. An example of such a clock frequency would be 70.656 MHz.

The typical schematic above shows the I²C connection to the processor and output configurations for LVPECL AC coupling.

The [Detailed Design Procedure](#) below describes the procedure to generate and adjust the required output frequency for the above scenario using LMK61E07.

9.2.2 Detailed Design Procedure

This design procedure will give a quick outline of the process of configuring the LMK61E07 in the above use case. Typically, the easiest approach to configuring the PLL is to start with the desired output frequency and work backwards.

1. VCO Frequency Selection

- The first step is to calculate the possible VCO frequencies given the required output frequency of 70.656 MHz. The LMK61E07 output divider that can be set from /5 to /511. The VCO can output frequencies from 4.6 GHz to 5.6 GHz. Therefore, the output frequency multiplied by the total divide value must fall within this range.

- To determine the boundary of the total divide value, we can divide the VCO frequency limits by the output frequency, resulting in a range of 65.1 to 79.3. Any output divider value within this range will result in a valid VCO frequency. A few possible divider combinations and the resulting VCO frequencies are listed in columns 1 and 2, respectively, of 表 9-1 below.
2. Input Divider and Doubler/Phase Detector Frequency Configuration
 - The next step is to set the reference divider and doubler in the reference frequency path to the PLL. The reference divider can be set to /1 or /4, and the doubler can be set to x1 or x2. The main trade-off is that a higher phase detector frequency will result in better output phase noise performance and a lower phase detector frequency will result in a finer output frequency step size when adjusting the feedback divider numerator in DCXO mode.
 - In the DSL application, a finer step size is desired so the reference divider will be set to /4 and the doubler to x1 to minimize the phase detector frequency. The phase detector frequency can then be calculated by multiplying and dividing the reference frequency of 50 MHz by those values, resulting in 12.5 MHz.
 - Note that in some applications, a trade-off in step size to obtain better phase noise performance is acceptable. In that case the design procedure can be continued, substituting the relevant reference divider and doubler configuration and phase detector frequency.
 3. Feedback Divider Selection
 - The possible feedback divider values can then be calculated by dividing the VCO frequency by the phase detector frequency. The possible values are listed in column 3 of 表 9-1.
 - Glitch-less frequency margining in DCXO mode is achieved by adjusting the numerator of the feedback divider without changing the integer value of the divider, which could cause a frequency glitch. Therefore, the output frequency tuning range is limited by which VCO frequency and feedback divider we select out of the valid combinations. To obtain as equal of a tuning range above and below the nominal output frequency as possible, a feedback divider value with fractional portion as close to 1/2 as possible should be chosen.
 - The VCO frequency of 5369.856 MHz results in a feedback divider of 429.58848, which has a fractional portion closest to 1/2. The decimal converted to a fraction is 429+58848/100000. To minimize step size, the fraction can be converted to the maximum equivalent fraction of 2412768/4100000 as limited by the maximum denominator of 4194303.
 4. Frequency Margining
 - With the device configured to output the nominal frequency of 70.656 MHz, the numerator can be adjusted over I²C to tune the output frequency.
 - Using equation 3 in [Configuring the PLL](#), the step size of this configuration can be calculated to be approximately 4x10⁻⁸ MHz or 0.58 ppb.
 - The maximum and minimum tuning range limits can be determined by calculating the maximum shift in frequency from nominal without changing the integer portion of the feedback divider (including setting the numerator to zero or equal to the denominator). In this case, the limits are a maximum of +955 ppm and a minimum of -1365 ppm from nominal.

表 9-1. PLL Configuration Options

1. EXAMPLE OUTPUT DIVIDER VALUES	2. POSSIBLE VCO FREQUENCIES (MHz)	3. FEEDBACK DIVIDER WITH PDF=12.5 MHz	4. EQUIVALENT FRACTIONAL FEEDBACK DIVIDER VALUES
68	4804.608	384.36864	384+1511424/4100000
70	4945.92	395.6736	395+2822384/4190000
72	5087.232	406.97856	406+4012096/4100000
75	5299.2	423.936	423+3925584/4194000
76	5369.856	429.58848	429+2412768/4100000

9.2.2.1 PLL Loop Filter Design

The EVM software tool TICS Pro/Oscillator Programming Tool can be used to aid loop filter design. The Easy Configuration GUI is able to generate a suggested set of loop filter values given a desired output frequency. The

tool recommends a PLL configuration that is designed to minimize jitter. As of the publication of this document, it is not yet able to optimize for desired tuning range in DCXO mode. When configuring the device for operation in DCXO mode, TI recommends using the software suggested loop filter settings as a starting point and then perform the procedure described in [Detailed Design Procedure](#) to optimize the PLL configuration to suit the application needs.

A general set of loop filter design guidelines are given below:

- There are many device configurations to achieve the desired output frequency from a device. However there are some optimizations and trade-offs to be considered.
- The guidelines below may be followed when configuring PLL related dividers or other related registers:
 - For lowest possible in-band PLL flat noise, maximize phase detector frequency to minimize N divide value.
 - For fractional divider values, keep the denominator at highest value possible to minimize spurs. It is also best to use a higher order modulator whenever possible for the same reason.
 - As a rule of thumb, keep the phase detector frequency approximately between $10 \times$ PLL loop bandwidth and $100 \times$ PLL loop bandwidth. A phase detector frequency less than $5 \times$ PLL bandwidth may be unstable.
 - While designing the loop filter, adjusting the charge pump current or N value can help with loop filter component selection. Lower charge pump currents and larger N values result in smaller component values but may increase impacts of leakage and reduce PLL phase noise performance.

9.2.2.2 Spur Mitigation Techniques

The LMK61E07 offers several programmable features for optimizing fractional spurs. To get the best out of these features, it makes sense to understand the different kinds of spurs as well as their behaviors, causes, and remedies. Although optimizing spurs may involve some trial and error, there are ways to make this process more systematic. TI offers the [Clock Design Tool](#) (SNAU082) for more information and estimation of fractional spurs.

9.2.2.2.1 Phase Detection Spur

The phase detector spur occurs at an offset from the carrier equal to the phase detector frequency, f_{PD} . To minimize this spur, consider a lower phase detector frequency. In some cases where the loop bandwidth is very wide relative to the phase detector frequency, some benefit might be gained from using a narrower loop bandwidth or adding poles to the loop filter by using R3 and C3 if previously unused, but otherwise the loop filter has minimal impact. Bypassing at the supply pins and board layout can also have an impact on this spur, especially at higher phase detector frequencies.

9.2.2.2.2 Integer Boundary Fractional Spur

This spur occurs at an offset equal to the difference between the VCO frequency and the closest integer channel for the VCO. For instance, if the phase detector frequency is 100 MHz and the VCO frequency is 5003 MHz, then the integer boundary spur would be at 3-MHz offset. This spur can be either PLL or VCO dominated. If it is PLL dominated, decreasing the loop bandwidth and some of the programmable fractional words may impact this spur. If the spur is VCO dominated, then reducing the loop filter will not help, but rather reducing the phase detector and having good slew rate and signal integrity at the selected reference input will help.

9.2.2.2.3 Primary Fractional Spur

These spurs occur at multiples of f_{PD}/DEN and are not the integer boundary spur. For instance, if the phase detector frequency is 100 MHz and the fraction is 3/100, the primary fractional spurs would be at 1 MHz, 2 MHz, 4 MHz, 5 MHz, 6 MHz, and so forth. These are impacted by the loop filter bandwidth and modulator order. If a small frequency error is acceptable, then a larger equivalent fraction may improve these spurs. This larger unequivalent fraction pushes the fractional spur energy to much lower frequencies that where they are not impactful to the system performance.

9.2.2.2.4 Sub-Fractional Spur

These spurs appear at a fraction of f_{PD}/DEN and depend on modulator order. With the first order modulator, there are no sub-fractional spurs. The second order modulator can produce 1/2 sub-fractional spurs if the denominator is even. A third order modulator can produce sub-fractional spurs at 1/2, 1/3, or 1/6 of the offset, depending if it is divisible by 2 or 3. For instance, if the phase detector frequency is 100 MHz and the fraction is

3/100, no sub-fractional spurs for a first order modulator or sub-fractional spurs at multiples of 1.5 MHz for a second or third order modulator would be expected. Aside from strategically choosing the fractional denominator and using a lower order modulator, another tactic to eliminate these spurs is to use dithering and express the fraction in larger equivalent terms. Because dithering also adds phase noise, its level needs to be managed to achieve acceptable phase noise and spurious performance.

表 9-2 summarizes spur and mitigation techniques.

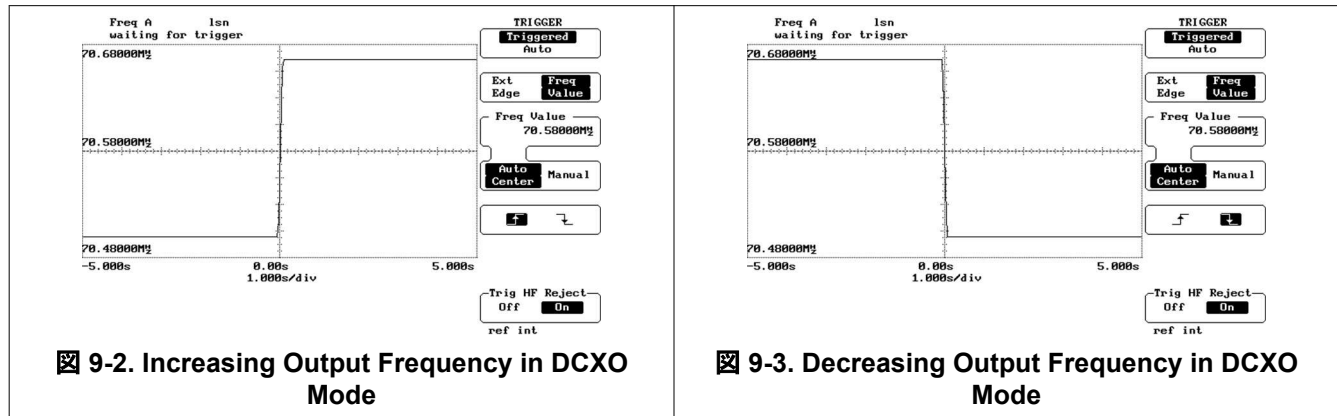
表 9-2. Spur and Mitigation Techniques

SPUR TYPE	OFFSET	WAYS TO REDUCE	TRADE-OFFS
Phase Detector	f_{PD}	Reduce Phase Detector Frequency.	Although reducing the phase detector frequency does improve this spur, it also degrades phase noise.
Integer Boundary	$f_{VCO} \text{ mod } f_{PD}$	Methods for PLL Dominated Spurs	Reducing the loop bandwidth may degrade the total integrated noise if the bandwidth is too narrow.
		- Avoid the worst case VCO frequencies if possible.	
		- Ensure good slew rate and signal integrity at reference input.	
		- Reduce loop bandwidth or add more filter poles to suppress out of band spurs.	
		Methods for VCO Dominated Spurs	Reducing the phase detector may degrade the phase noise.
		- Avoid the worst case VCO frequencies if possible.	
		- Reduce Phase Detector Frequency.	
		- Ensure good slew rate and signal integrity at reference input.	
Primary Fractional	f_{PD}/DEN	- Decrease Loop Bandwidth.	Decreasing the loop bandwidth may degrade in-band phase noise. Also, larger unequivalent fractions don't always reduce spurs.
		- Change Modulator Order.	
		- Use Larger Unequivalent Fractions.	
Sub-Fractional	$f_{PD}/DEN/k$ k=2,3, or 6	- Use Dithering.	Dithering and larger fractions may increase phase noise.
		- Use Larger Equivalent Fractions.	
		- Use Larger Unequivalent Fractions.	
		- Reduce Modulator Order.	
		- Eliminate factors of 2 or 3 in denominator.	

9.2.2.3 Device Programming

The EVM software tool TICS Pro/Oscillator Programming Tool can be used to program the device with the desired configuration. Simply select the *Program EEPROM* option and the software will automatically load the current configuration to EEPROM. The settings will then be available upon subsequent startup without the need to reload the registers over I²C.

9.2.3 Application Curves



9.3 Power Supply Recommendations

For best electrical performance of the LMK61E07 device, TI recommends using a combination of 10 μF , 1 μF , and 0.1 μF on its power supply bypass network. TI also recommends using component side mounting of the power supply bypass capacitors, and it is best to use 0201 or 0402 body size capacitors to facilitate signal routing. Keep the connections between the bypass capacitors and the power supply on the device as short as possible. Ground the other side of the capacitor using a low impedance connection to the ground plane. [9-4](#) shows the layout recommendation for power supply decoupling of LMK61E07.

9.4 Layout

9.4.1 Layout Guidelines

[Ensured Thermal Reliability](#), [Best Practices for Signal Integrity](#) and [Recommended Solder Reflow Profile](#) provide recommendations for board layout, solder reflow profile and power supply bypassing when using LMK61E07 to ensure good thermal and electrical performance and overall signal integrity of entire system.

9.4.1.1 Ensured Thermal Reliability

The LMK61E07 is a high performance device. Therefore pay careful attention to device configuration and printed-circuit board (PCB) layout with respect to power consumption. The ground pin needs to be connected to the ground plane of the PCB through three vias or more, as shown in [9-4](#), to maximize thermal dissipation out of the package.

[式 4](#) describes the relationship between the PCB temperature around the LMK61E07 and its junction temperature.

$$T_B = T_J - \Psi_{JB} * P \quad (4)$$

where

- T_B : PCB temperature around the LMK61E07
- T_J : Junction temperature of LMK61E07
- Ψ_{JB} : Junction-to-board thermal resistance parameter of LMK61E07 (36.7°C/W without airflow)
- P : On-chip power dissipation of LMK61E07

To ensure that the maximum junction temperature of LMK61E07 is below 115°C, it can be calculated that the maximum PCB temperature without airflow should be at 90°C or below when the device is optimized for best performance resulting in maximum on-chip power dissipation of 0.69 W.

9.4.1.2 Best Practices for Signal Integrity

For best electrical performance and signal integrity of entire system with LMK61E07, TI recommends routing vias into decoupling capacitors and then into the LMK61E07. TI also recommends increasing the via count and

width of the traces wherever possible. These steps ensure lowest impedance and shortest path for high-frequency current flow. [Figure 9-4](#) shows the layout recommendation for LMK61E07.

9.4.1.3 Recommended Solder Reflow Profile

TI also recommends following the solder paste supplier's recommendations to optimize flux activity and to achieve proper melting temperatures of the alloy within the guidelines of J-STD-20. It is preferable for the LMK61E07 to be processed with the lowest peak temperature possible while also remaining below the components peak temperature rating as listed on the MSL label. The exact temperature profile would depend on several factors including maximum peak temperature for the component as rated on the MSL label, Board thickness, PCB material type, PCB geometries, component locations, sizes, densities within PCB, as well solder manufactures recommended profile, and capability of the reflow equipment to as confirmed by the SMT assembly operation.

9.4.2 Layout Example

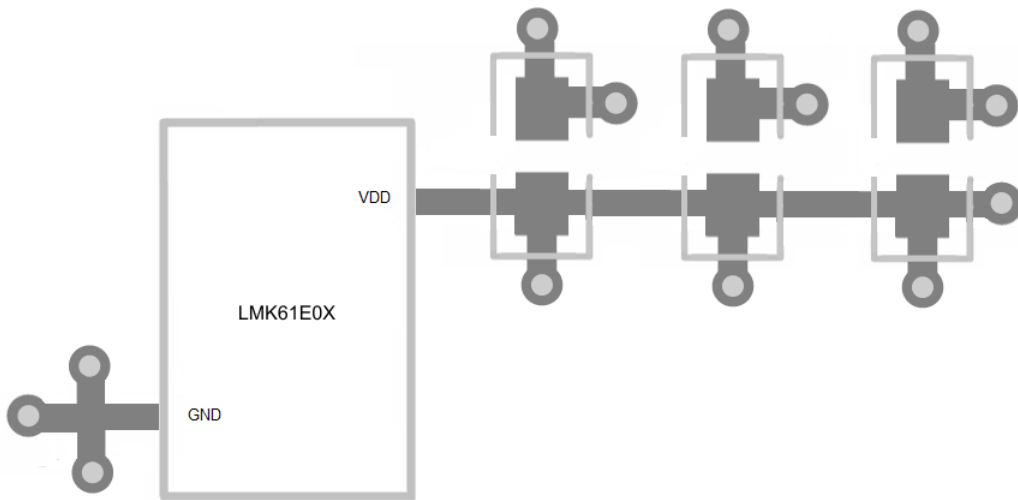


Figure 9-4. LMK61E07 Layout Recommendation for Power Supply and Ground

10 Device and Documentation Support

10.1 Documentation Support

10.1.1 Related Documentation

For related documentation see the following:

-
- [Clock Design Tool](#) (SNAU082)
- [PLL Performance, Simulation, and Design](#)

10.2 ドキュメントの更新通知を受け取る方法

ドキュメントの更新についての通知を受け取るには、[ti.com](#) のデバイス製品フォルダを開いてください。「更新の通知を受け取る」をクリックして登録すると、変更されたすべての製品情報に関するダイジェストを毎週受け取れます。変更の詳細については、修正されたドキュメントに含まれている改訂履歴をご覧ください。

10.3 サポート・リソース

[TI E2E™ サポート・フォーラム](#)は、エンジニアが検証済みの回答と設計に関するヒントをエキスパートから迅速かつ直接得ることができる場所です。既存の回答を検索したり、独自の質問をしたりすることで、設計に必要な支援を迅速に得ることができます。

リンクされているコンテンツは、該当する貢献者により、現状のまま提供されるものです。これらは TI の仕様を構成するものではなく、必ずしも TI の見解を反映したものではありません。TI の[使用条件](#)を参照してください。

10.4 Trademarks

PLLatinum™ and TI E2E™ are trademarks of Texas Instruments.

すべての商標は、それぞれの所有者に帰属します。

10.5 静電気放電に関する注意事項



この IC は、ESD によって破損する可能性があります。テキサス・インスツルメンツは、IC を取り扱う際には常に適切な注意を払うことを推奨します。正しい取り扱いおよび設置手順に従わない場合、デバイスを破損するおそれがあります。

ESD による破損は、わずかな性能低下からデバイスの完全な故障まで多岐にわたります。精密な IC の場合、パラメータがわずかに変化するだけで公表されている仕様から外れる可能性があるため、破損が発生しやすくなっています。

10.6 用語集

[テキサス・インスツルメンツ用語集](#) この用語集には、用語や略語の一覧および定義が記載されています。

11 Mechanical, Packaging, and Orderable Information

The following pages include mechanical, packaging, and orderable information. This information is the most current data available for the designated devices. This data is subject to change without notice and revision of this document. For browser-based versions of this data sheet, refer to the left-hand navigation.

PACKAGING INFORMATION

Orderable part number	Status (1)	Material type (2)	Package Pins	Package qty Carrier	RoHS (3)	Lead finish/ Ball material (4)	MSL rating/ Peak reflow (5)	Op temp (°C)	Part marking (6)
LMK61E07-SIAR	Active	Production	QFM (SIA) 6	2500 LARGE T&R	Yes	NIAU	Level-3-260C-168 HR	-40 to 85	LMK61E0 7
LMK61E07-SIAR.A	Active	Production	QFM (SIA) 6	2500 LARGE T&R	Yes	NIAU	Level-3-260C-168 HR	-40 to 85	LMK61E0 7
LMK61E07-SIAT	Active	Production	QFM (SIA) 6	250 SMALL T&R	In-Work	NIAU	Level-3-260C-168 HR	-40 to 85	LMK61E0 7
LMK61E07-SIAT.A	Active	Production	QFM (SIA) 6	250 SMALL T&R	In-Work	NIAU	Level-3-260C-168 HR	-40 to 85	LMK61E0 7

(1) **Status:** For more details on status, see our [product life cycle](#).

(2) **Material type:** When designated, preproduction parts are prototypes/experimental devices, and are not yet approved or released for full production. Testing and final process, including without limitation quality assurance, reliability performance testing, and/or process qualification, may not yet be complete, and this item is subject to further changes or possible discontinuation. If available for ordering, purchases will be subject to an additional waiver at checkout, and are intended for early internal evaluation purposes only. These items are sold without warranties of any kind.

(3) **RoHS values:** Yes, No, RoHS Exempt. See the [TI RoHS Statement](#) for additional information and value definition.

(4) **Lead finish/Ball material:** Parts may have multiple material finish options. Finish options are separated by a vertical ruled line. Lead finish/Ball material values may wrap to two lines if the finish value exceeds the maximum column width.

(5) **MSL rating/Peak reflow:** The moisture sensitivity level ratings and peak solder (reflow) temperatures. In the event that a part has multiple moisture sensitivity ratings, only the lowest level per JEDEC standards is shown. Refer to the shipping label for the actual reflow temperature that will be used to mount the part to the printed circuit board.

(6) **Part marking:** There may be an additional marking, which relates to the logo, the lot trace code information, or the environmental category of the part.

Multiple part markings will be inside parentheses. Only one part marking contained in parentheses and separated by a "-" will appear on a part. If a line is indented then it is a continuation of the previous line and the two combined represent the entire part marking for that device.

Important Information and Disclaimer: The information provided on this page represents TI's knowledge and belief as of the date that it is provided. TI bases its knowledge and belief on information provided by third parties, and makes no representation or warranty as to the accuracy of such information. Efforts are underway to better integrate information from third parties. TI has taken and continues to take reasonable steps to provide representative and accurate information but may not have conducted destructive testing or chemical analysis on incoming materials and chemicals. TI and TI suppliers consider certain information to be proprietary, and thus CAS numbers and other limited information may not be available for release.

In no event shall TI's liability arising out of such information exceed the total purchase price of the TI part(s) at issue in this document sold by TI to Customer on an annual basis.

TAPE AND REEL INFORMATION

QUADRANT ASSIGNMENTS FOR PIN 1 ORIENTATION IN TAPE

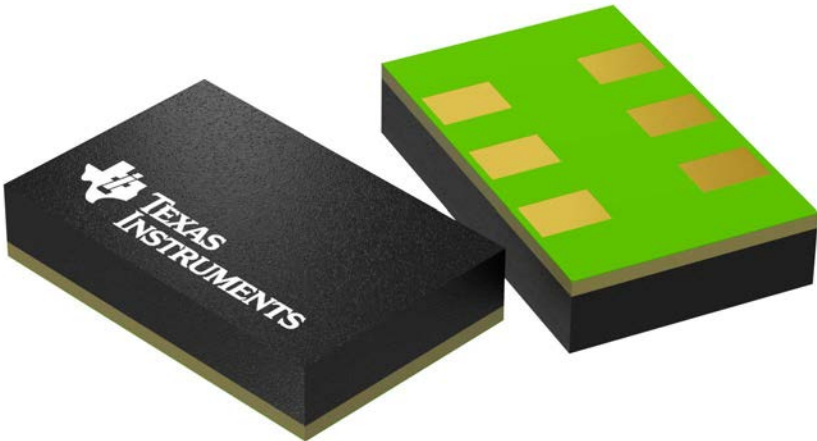

*All dimensions are nominal

Device	Package Type	Package Drawing	Pins	SPQ	Reel Diameter (mm)	Reel Width W1 (mm)	A0 (mm)	B0 (mm)	K0 (mm)	P1 (mm)	W (mm)	Pin1 Quadrant
LMK61E07-SIAR	QFM	SIA	6	2500	330.0	16.4	5.5	7.5	1.5	8.0	16.0	Q1
LMK61E07-SIAT	QFM	SIA	6	250	178.0	16.4	5.5	7.5	1.5	8.0	16.0	Q1

TAPE AND REEL BOX DIMENSIONS


*All dimensions are nominal

Device	Package Type	Package Drawing	Pins	SPQ	Length (mm)	Width (mm)	Height (mm)
LMK61E07-SIAR	QFM	SIA	6	2500	356.0	356.0	36.0
LMK61E07-SIAT	QFM	SIA	6	250	208.0	191.0	35.0



Images above are just a representation of the package family, actual package may vary. Refer to the product data sheet for package details.

重要なお知らせと免責事項

TI は、技術データと信頼性データ (データシートを含みます)、設計リソース (リファレンス デザインを含みます)、アプリケーションや設計に関する各種アドバイス、Web ツール、安全性情報、その他のリソースを、欠陥が存在する可能性のある「現状のまま」提供しており、商品性および特定目的に対する適合性の黙示保証、第三者の知的財産権の非侵害保証を含むいかなる保証も、明示的または黙示的にかかわらず拒否します。

これらのリソースは、TI 製品を使用する設計の経験を積んだ開発者への提供を意図したものです。(1) お客様のアプリケーションに適した TI 製品の選定、(2) お客様のアプリケーションの設計、検証、試験、(3) お客様のアプリケーションに該当する各種規格や、その他のあらゆる安全性、セキュリティ、規制、または他の要件への確実な適合に関する責任を、お客様のみが単独で負うものとし、

上記の各種リソースは、予告なく変更される可能性があります。これらのリソースは、リソースで説明されている TI 製品を使用するアプリケーションの開発の目的でのみ、TI はその使用をお客様に許諾します。これらのリソースに関して、他の目的で複製することや掲載することは禁止されています。TI や第三者の知的財産権のライセンスが付与されている訳ではありません。お客様は、これらのリソースを自身で使用した結果発生するあらゆる申し立て、損害、費用、損失、責任について、TI およびその代理人を完全に補償するものとし、TI は一切の責任を拒否します。

TI の製品は、[TI の販売条件](#)、[TI の総合的な品質ガイドライン](#)、[ti.com](#) または TI 製品などに関連して提供される他の適用条件に従い提供されます。TI がこれらのリソースを提供することは、適用される TI の保証または他の保証の放棄の拡大や変更を意味するものではありません。TI がカスタム、またはカスタマー仕様として明示的に指定していない限り、TI の製品は標準的なカタログに掲載される汎用機器です。

お客様がいかなる追加条項または代替条項を提案する場合も、TI はそれらに異議を唱え、拒否します。

Copyright © 2026, Texas Instruments Incorporated

最終更新日 : 2025 年 10 月