

OPAx202 重い容量性負荷を駆動できる高精度、低ノイズ 36V オペアンプ

1 特長

- 高精度のスーパーベータ性能
 - 低オフセット電圧: 200 μ V (最大値)
 - 超低ドリフト: 1 μ V/ $^{\circ}$ C (最大値)
- 優れた効率
 - 静止電流: 580 μ A (標準値)
 - ゲイン帯域幅積: 1MHz
 - 低入力電圧ノイズ: 9nV/ $\sqrt{\text{Hz}}$
- 使いやすく、設計がシンプル
 - 重い容量性負荷の駆動: 25nF で 5 μ s のセトリング時間
 - 極めて高い入力インピーダンス: 3000G Ω および 0.5pF
 - EMI 強化、熱、短絡保護
- 安定した性能
 - 高い CMRR と A_{OL}: 126dB (最小値)
 - 高い PSRR: 126dB (最小値)
- 低バイアス電流: 2nA (最大値)
- 低ノイズ: 0.2 μ V_{PP} (0.1Hz~10Hz)
- 広い電源電圧範囲: \pm 2.25V~ \pm 18V
- OP-07およびOP-27の置き換え

2 アプリケーション

- データ・アキュジション (DAQ)
- 実験室およびフィールド用計測機器
- 商用ネットワークとサーバーの PSU (電源)
- マルチパラメータ患者モニタ
- ストリング・インバータ

3 概要

OPA202、OPA2202、OPA4202 (OPAx202) は、TI の業界最先端の高精度スーパーベータ相補性バイポーラ半導体プロセスで製造されたデバイス・ファミリーです。このプロセスを使用すると、非常に低いフリッカー・ノイズ、低いオフセット電圧、低いオフセット電圧温度ドリフト、同相と電源変動に対する非常に優れた直線性が得られます。これらのデバイスは、DC 精度、重い容量性負荷の駆動、外部 EMI、熱、短絡に対する保護において非常に優れています。

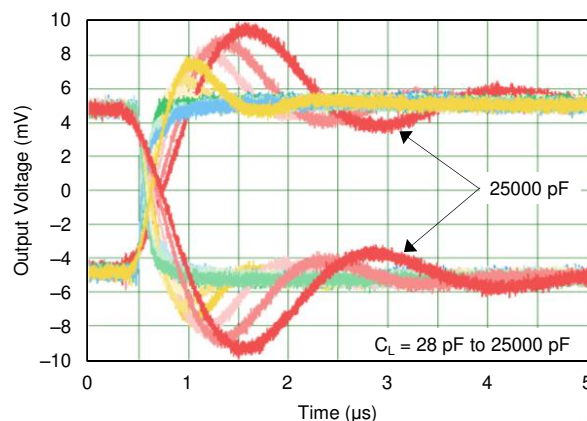
消費電流は \pm 18V で 580 μ A です。OPAx202 は位相反転を起こさず、大きな容量性負荷でも安定に動作します。OPAx202 は、-40 $^{\circ}$ C~+105 $^{\circ}$ Cの温度範囲で完全に動作が規定されています。

製品情報⁽¹⁾

型番	パッケージ	本体サイズ(公称)
OPA202	SOIC (8)	4.90mm \times 3.91mm
	SOT-23 (5)	2.90mm \times 1.60mm
	VSSOP (8) (プレビュー)	3.00mm \times 3.00mm
OPA2202	VSSOP (8)	3.00mm \times 3.00mm
OPA4202	SOIC (14)	8.65mm \times 3.91mm

(1) 利用可能なすべてのパッケージについては、このデータシートの末尾にあるパッケージ・オプションについての付録を参照してください。

OPAx202 は大きな容量性負荷を直接駆動しても優れた性能を発揮



目次

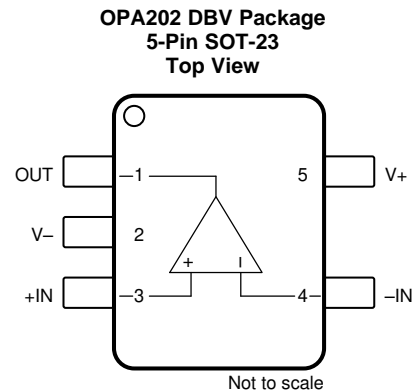
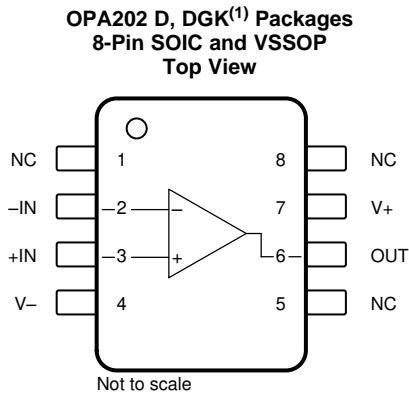
1	特長	1	7.4	Device Functional Modes	25
2	アプリケーション	1	8	Application and Implementation	26
3	概要	1	8.1	Application Information	26
4	改訂履歴	2	8.2	Typical Application	28
5	Pin Configuration and Functions	3	9	Power Supply Recommendations	29
6	Specifications	6	10	Layout	30
6.1	Absolute Maximum Ratings	6	10.1	Layout Guidelines	30
6.2	ESD Ratings	6	10.2	Layout Example	30
6.3	Recommended Operating Conditions	6	11	デバイスおよびドキュメントのサポート	31
6.4	Thermal Information: OPA202	7	11.1	デバイス・サポート	31
6.5	Thermal Information: OPA2202	7	11.2	ドキュメントのサポート	31
6.6	Thermal Information: OPA4202	7	11.3	関連リンク	32
6.7	Electrical Characteristics	8	11.4	ドキュメントの更新通知を受け取る方法	32
6.8	Typical Characteristics	10	11.5	サポート・リソース	32
6.9	Typical Characteristics	11	11.6	商標	32
7	Detailed Description	18	11.7	静電気放電に関する注意事項	32
7.1	Overview	18	11.8	Glossary	32
7.2	Functional Block Diagram	18	12	メカニカル、パッケージ、および注文情報	32
7.3	Feature Description	19			

4 改訂履歴

資料番号末尾の英字は改訂を表しています。その改訂履歴は英語版に準じています。

Revision D (December 2019) から Revision E に変更		Page
•	OPA202 の 8 ピン VSSOP (DGK) プレビュー・パッケージおよび関連情報をデータシートに追加	1
Revision C (October 2018) から Revision D に変更		Page
•	OPA2202 および OPA4202 を事前情報 (プレビュー) から量産データ (アクティブ) に変更	1
Revision B (December 2018) から Revision C に変更		Page
•	OPA2202 および OPA4202 プレビュー・デバイスおよび関連情報をデータシートに追加	1
•	削除 <i>Operating Voltage</i> section; redundant information	19
Revision A (September 2018) から Revision B に変更		Page
•	SOT-23 パッケージをプレビューから量産データに変更	1
2017年10月発行のものから更新		Page
•	SOT-23 パッケージのプレビュー情報を追加	1

5 Pin Configuration and Functions

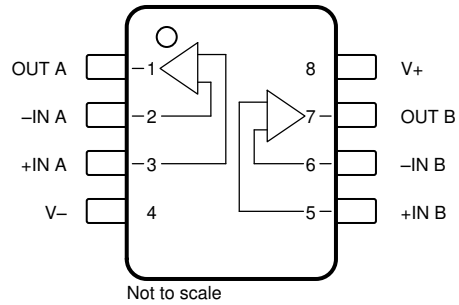


(1) DGK package is preview.

Pin Functions: OPA202

NAME	PIN NO.		I/O	DESCRIPTION
	D (SOIC) DGK (VSSOP)	DBV (SOT-23)		
-IN	2	4	I	Inverting input
+IN	3	3	I	Noninverting input
NC	1, 5, 8	—	—	No internal connection (can be left floating)
OUT	6	1	O	Output
V-	4	2	—	Negative (lowest) power supply
V+	7	5	—	Positive (highest) power supply

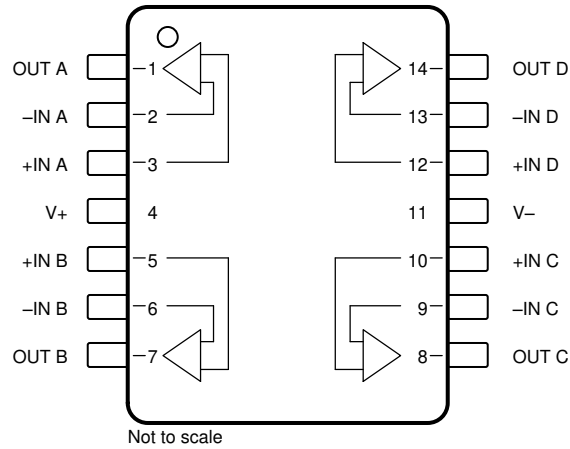
OPA2202 DGK Package
8-Pin VSSOP
Top View



Pin Functions: OPA2202

PIN		I/O	DESCRIPTION
NAME	NO.		
-IN A	2	I	Inverting input channel A
+IN A	3	I	Noninverting input channel A
-IN B	6	I	Inverting input channel B
+IN B	5	I	Noninverting input channel B
OUT A	1	O	Output channel A
OUT B	7	O	Output channel B
V-	4	—	Negative supply
V+	8	—	Positive supply

**OPA4202 D Package
14-Pin SOIC
Top View**



Pin Functions: OPA4202

PIN		I/O	DESCRIPTION
NAME	NO.		
-IN A	2	I	Inverting input channel A
+IN A	3	I	Noninverting input channel A
-IN B	6	I	Inverting input channel B
+IN B	5	I	Noninverting input channel B
-IN C	9	I	Inverting input channel C
+IN C	10	I	Noninverting input channel C
-IN D	13	I	Inverting input channel D
+IN D	12	I	Noninverting input channel D
OUT A	1	O	Output channel A
OUT B	7	O	Output channel B
OUT C	8	O	Output channel C
OUT D	14	O	Output channel D
V-	11	—	Negative supply
V+	4	—	Positive supply

6 Specifications

6.1 Absolute Maximum Ratings

over operating free-air temperature range (unless otherwise noted)⁽¹⁾

		MIN	MAX	UNIT	
Supply voltage, $V_S = (V+) - (V-)$	Single-supply		40	V	
	Dual-supply		±20		
Signal input pins	Voltage	Common-mode ⁽²⁾	(V-) – 0.5		(V+) + 0.5
		Differential ⁽³⁾			±0.5
	Current		±10	mA	
Output short current ⁽⁴⁾		Continuous			
Operating temperature, T_A		–40	125	°C	
Junction temperature, T_J			125		
Storage temperature, T_{stg}		–65	150		

- (1) Stresses beyond those listed under *Absolute Maximum Ratings* may cause permanent damage to the device. These are stress ratings only, which do not imply functional operation of the device at these or any other conditions beyond those indicated under *Recommended Operating Conditions*. Exposure to absolute-maximum-rated conditions for extended periods may affect device reliability.
- (2) Input terminals are diode-clamped to the power-supply rails. Input signals that swing more than 0.5 V beyond the supply rails must be current-limited to 10 mA or less.
- (3) Input terminals are anti-parallel diode-clamped to each other. Input signals that cause differential voltages of swing more than ± 0.5 V must be current-limited to 10 mA or less.
- (4) Short-circuit to ground, one amplifier per package.

6.2 ESD Ratings

			VALUE	UNIT
$V_{(ESD)}$	Electrostatic discharge	Human body model (HBM), per ANSI/ESDA/JEDEC JS-001 ⁽¹⁾	±2500	V
		Charged device model (CDM), per JEDEC specification JESD22-C101 ⁽²⁾	±1000	

- (1) JEDEC document JEP155 states that 500-V HBM allows safe manufacturing with a standard ESD control process.
- (2) JEDEC document JEP157 states that 250-V CDM allows safe manufacturing with a standard ESD control process.

6.3 Recommended Operating Conditions

over operating free-air temperature range (unless otherwise noted)

		MIN	NOM	MAX	UNIT
V_S	Supply voltage, [(V+) – (V-)]	Single-supply	4.5	36	V
		Dual-supply	±2.25	±18	
T_A	Specified temperature	–40		105	°C

6.4 Thermal Information: OPA202

THERMAL METRIC ⁽¹⁾		OPA202			UNIT
		D (SOIC)	DGK (VSSOP)	DBV (SOT-23)	
		8 PINS	8 PINS	5 PINS	
$R_{\theta JA}$	Junction-to-ambient thermal resistance	136	176.7	206.0	°C/W
$R_{\theta JC(top)}$	Junction-to-case (top) thermal resistance	74	63.9	121.8	°C/W
$R_{\theta JB}$	Junction-to-board thermal resistance	62	99.4	65.9	°C/W
Ψ_{JT}	Junction-to-top characterization parameter	19.7	8.8	39.0	°C/W
Ψ_{JB}	Junction-to-board characterization parameter	54.8	97.6	65.6	°C/W
$R_{\theta JC(bot)}$	Junction-to-case (bottom) thermal resistance	N/A	N/A	N/A	°C/W

(1) For more information about traditional and new thermal metrics, see the [Semiconductor and IC Package Thermal Metrics](#) application report.

6.5 Thermal Information: OPA2202

THERMAL METRIC ⁽¹⁾		OPA2202		UNIT
		DGK (VSSOP)		
		8 PINS		
$R_{\theta JA}$	Junction-to-ambient thermal resistance	180.1		°C/W
$R_{\theta JC(top)}$	Junction-to-case (top) thermal resistance	68.3		°C/W
$R_{\theta JB}$	Junction-to-board thermal resistance	101.4		°C/W
Ψ_{JT}	Junction-to-top characterization parameter	10.5		°C/W
Ψ_{JB}	Junction-to-board characterization parameter	99.8		°C/W
$R_{\theta JC(bot)}$	Junction-to-case (bottom) thermal resistance	N/A		°C/W

(1) For more information about traditional and new thermal metrics, see the [Semiconductor and IC Package Thermal Metrics](#) application report.

6.6 Thermal Information: OPA4202

THERMAL METRIC ⁽¹⁾		OPA4202		UNIT
		D (SOIC)		
		14 PINS		
$R_{\theta JA}$	Junction-to-ambient thermal resistance	87.9		°C/W
$R_{\theta JC(top)}$	Junction-to-case (top) thermal resistance	42.7		°C/W
$R_{\theta JB}$	Junction-to-board thermal resistance	44.6		°C/W
Ψ_{JT}	Junction-to-top characterization parameter	8.9		°C/W
Ψ_{JB}	Junction-to-board characterization parameter	44.1		°C/W
$R_{\theta JC(bot)}$	Junction-to-case (bottom) thermal resistance	N/A		°C/W

(1) For more information about traditional and new thermal metrics, see the [Semiconductor and IC Package Thermal Metrics](#) application report.

6.7 Electrical Characteristics

at $T_A = 25^\circ\text{C}$, $V_S = \pm 18\text{ V}$, $V_{CM} = V_S / 2$, and $V_{OUT} = V_S / 2$, $R_L = 10\text{ k}\Omega$ connected to $V_S / 2$ (unless otherwise noted)

PARAMETER		TEST CONDITIONS		MIN	TYP	MAX	UNIT
OFFSET VOLTAGE							
V_{OS}	Input offset voltage	$V_S = \pm 18\text{ V}$			± 20	± 200	μV
		$V_S = \pm 18\text{ V}$, $T_A = -40^\circ\text{C}$ to $+105^\circ\text{C}$				± 250	
dV_{OS}/dT	Input offset voltage drift	OPA202, OPA4202ID	$T_A = -40^\circ\text{C}$ to $+105^\circ\text{C}$		± 0.5	± 1	$\mu\text{V}/^\circ\text{C}$
		OPA2202IDGK	$T_A = -40^\circ\text{C}$ to $+105^\circ\text{C}$		± 0.5	± 1.5	$\mu\text{V}/^\circ\text{C}$
PSRR	Input offset voltage versus power supply	$V_S = \pm 2.25\text{ V}$ to $\pm 18\text{ V}$			± 0.1	± 0.5	$\mu\text{V}/\text{V}$
		$V_S = \pm 2.25\text{ V}$ to $\pm 18\text{ V}$, $T_A = -40^\circ\text{C}$ to $+105^\circ\text{C}$				± 0.5	
INPUT BIAS CURRENT							
I_B	Input bias current				± 0.25	± 2	nA
		$T_A = -40^\circ\text{C}$ to $+105^\circ\text{C}$				± 2.1	
I_{OS}	Input offset current	OPA202	$T_A = -40^\circ\text{C}$ to $+105^\circ\text{C}$		± 15	± 150	pA
		OPA2202IDGK, OPA4202ID	$T_A = -40^\circ\text{C}$ to $+105^\circ\text{C}$		± 25	± 250	
NOISE							
	Input voltage noise	$f = 0.1\text{ Hz}$ to 10 Hz			0.2		μV_{PP}
					0.03		μV_{RMS}
e_n	Input voltage noise density	$f = 10\text{ Hz}$			9.5		$\text{nV}/\sqrt{\text{Hz}}$
		$f = 100\text{ Hz}$			9.1		
		$f = 1\text{ kHz}$			9		
i_n	Input current noise	$f = 1\text{ kHz}$			0.076		$\text{pA}/\sqrt{\text{Hz}}$
INPUT VOLTAGE RANGE							
V_{CM}	Common-mode voltage range			$(V-) + 1.5$		$(V+) - 1.5$	V
CMRR	Common-mode rejection ratio	$V_S = \pm 2.25\text{ V}$	$(V-) + 1.5\text{ V} < V_{CM} < (V+) - 1.5\text{ V}$	114	131		dB
			$(V-) + 1.5\text{ V} < V_{CM} < (V+) - 1.5\text{ V}$, $T_A = -40^\circ\text{C}$ to $+105^\circ\text{C}$	114			
		$V_S = \pm 18\text{ V}$	$(V-) + 1.5\text{ V} < V_{CM} < (V+) - 1.5\text{ V}$	126	148		
			$(V-) + 1.5\text{ V} < V_{CM} < (V+) - 1.5\text{ V}$, $T_A = -40^\circ\text{C}$ to $+105^\circ\text{C}$	119			
INPUT CAPACITANCE							
	Differential				$10 \parallel 3.3$		$\text{M}\Omega \parallel \text{pF}$
	Common-mode				$3 \parallel 0.5$		$\text{T}\Omega \parallel \text{pF}$
OPEN-LOOP GAIN							
A_{OL}	Open-loop voltage gain	$V_S = \pm 2.25\text{ V}$	$(V-) + 1.25\text{ V} \leq V_O \leq (V+) - 1.25\text{ V}$, $R_L = 10\text{ k}\Omega$	120	135		dB
			$(V-) + 1.25\text{ V} \leq V_O \leq (V+) - 1.25\text{ V}$, $R_L = 10\text{ k}\Omega$, $T_A = -40^\circ\text{C}$ to $+105^\circ\text{C}$	119			
		$V_S = \pm 18\text{ V}$	$(V-) + 1.25\text{ V} \leq V_O \leq (V+) - 1.25\text{ V}$, $R_L = 10\text{ k}\Omega$	126	150		
			$(V-) + 1.25\text{ V} \leq V_O \leq (V+) - 1.25\text{ V}$, $R_L = 10\text{ k}\Omega$, $T_A = -40^\circ\text{C}$ to $+105^\circ\text{C}$	126			
		$V_S = \pm 2.25\text{ V}$	$(V-) + 1.25\text{ V} \leq V_O \leq (V+) - 1.25\text{ V}$, $R_L = 2\text{ k}\Omega$	120	133		
			$(V-) + 1.25\text{ V} \leq V_O \leq (V+) - 1.25\text{ V}$, $R_L = 2\text{ k}\Omega$, $T_A = -40^\circ\text{C}$ to $+105^\circ\text{C}$	119			
		$V_S = \pm 18\text{ V}$	$(V-) + 1.25\text{ V} \leq V_O \leq (V+) - 1.25\text{ V}$, $R_L = 2\text{ k}\Omega$	126	150		
			$(V-) + 1.25\text{ V} \leq V_O \leq (V+) - 1.25\text{ V}$, $R_L = 2\text{ k}\Omega$, $T_A = -40^\circ\text{C}$ to $+105^\circ\text{C}$	126			

Electrical Characteristics (continued)

 at $T_A = 25^\circ\text{C}$, $V_S = \pm 18\text{ V}$, $V_{CM} = V_S / 2$, and $V_{OUT} = V_S / 2$, $R_L = 10\text{ k}\Omega$ connected to $V_S / 2$ (unless otherwise noted)

PARAMETER		TEST CONDITIONS	MIN	TYP	MAX	UNIT
FREQUENCY RESPONSE						
GBW	Gain-bandwidth product			1		MHz
SR	Slew rate	10-V step, $G = 1$		0.35		V/ μs
t_s	Settling time	To 0.1%, 10-V step, $G = 1$		30		μs
		To 0.01%, 10-V step, $G = 1$		32		
	Overload recovery time	$V_{IN} \times \text{gain} > V_S$		4		μs
THD+N	Total harmonic distortion + noise	$V_O = 3 V_{RMS}$, $G = 1$, $f = 1\text{ kHz}$, $R_L = 10\text{ k}\Omega$		0.0002%		
OUTPUT						
	Voltage output swing from rail	$V_S = \pm 18\text{ V}$	$T_A = 25^\circ\text{C}$, No Load	650	750	mV
			$T_A = 25^\circ\text{C}$, $R_L = 10\text{ k}\Omega$	800	900	
			$T_A = 25^\circ\text{C}$, $R_L = 2\text{ k}\Omega$	1.05	1.15	V
			$T_A = -40^\circ\text{C}$ to $+105^\circ\text{C}$, $R_L = 10\text{ k}\Omega$		1	
			$A_{OL} > 120\text{ dB}$, $R_L = 10\text{ k}\Omega$		1.05	
			$A_{OL} > 120\text{ dB}$, $R_L = 2\text{ k}\Omega$		1.25	
I_{SC}	Short-circuit current	Sinking		35	mA	
		Sourcing		35		
C_{LOAD}	Capacitive load drive			28		
Z_O	Open-loop output impedance	$I_O = 0\text{ mA}$, $f = 1\text{ MHz}$; see 27		50		Ω
POWER SUPPLY						
I_Q	Quiescent current per amplifier	$I_O = 0\text{ mA}$		580	800	μA
		$I_O = 0\text{ mA}$, $T_A = -40^\circ\text{C}$ to $+105^\circ\text{C}$			900	

6.8 Typical Characteristics

表 1. Table of Graphs

DESCRIPTION	FIGURE
Offset Voltage Production Distribution	Figure 1
Offset Voltage Drift Distribution From –40°C to +105°C	Figure 2
Input Bias Current Production Distribution	Figure 3
Input Offset Current Production Distribution	Figure 4
Offset Voltage vs Temperature	Figure 5
Offset Voltage vs Common-Mode Voltage	Figure 6
Offset Voltage vs Supply Voltage	Figure 7
Open-Loop Gain and Phase vs Frequency	Figure 8
Closed-Loop Gain vs Frequency	Figure 9
Input Bias Current vs Common-Mode Voltage	Figure 10
Input Bias Current and Offset vs Temperature	Figure 11
Output Voltage Swing vs Output Current	Figure 12
Output Voltage Swing vs Output Current (Sourcing)	Figure 13
Output Voltage Swing vs Output Current (Sinking)	Figure 14
CMRR and PSRR vs Frequency	Figure 15
CMRR vs Temperature	Figure 16
PSRR vs Temperature	Figure 17
0.1-Hz to 10-Hz Voltage Noise	Figure 18
Input Voltage Noise Spectral Density vs Frequency	Figure 19
THD+N Ratio vs Frequency	Figure 20
THD+N vs Output Amplitude	Figure 21
Quiescent Current vs Supply Voltage	Figure 22
Quiescent Current vs Temperature	Figure 23
Open-Loop Gain vs Temperature (10-kΩ)	Figure 24
Open-Loop Gain vs Output Voltage Swing to Supply	Figure 25 , Figure 26
Open-Loop Output Impedance vs Frequency	Figure 27
Small-Signal Overshoot vs Capacitive Load (10-mV Step)	Figure 28
No Phase Reversal	Figure 29
Positive Overload Recovery	Figure 30
Negative Overload Recovery	Figure 31
Small-Signal Step Response (10-mV Step)	Figure 32 , Figure 33
Large-Signal Step Response (10-V Step)	Figure 34 , Figure 35
Settling Time (10-V Step)	Figure 36
Short-Circuit Current vs Temperature	Figure 37
Maximum Output Voltage vs Frequency	Figure 38
EMIRR vs Frequency	Figure 39

6.9 Typical Characteristics

at $T_A = 25^\circ\text{C}$, $V_S = \pm 18\text{ V}$, $V_{CM} = V_S / 2$, $R_{LOAD} = 10\text{ k}\Omega$ connected to $V_S / 2$, and $C_L = 100\text{ pF}$ (unless otherwise noted)

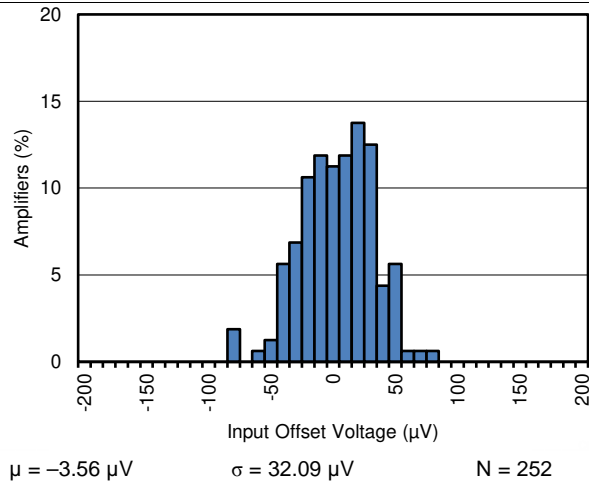


图 1. Offset Voltage Production Distribution

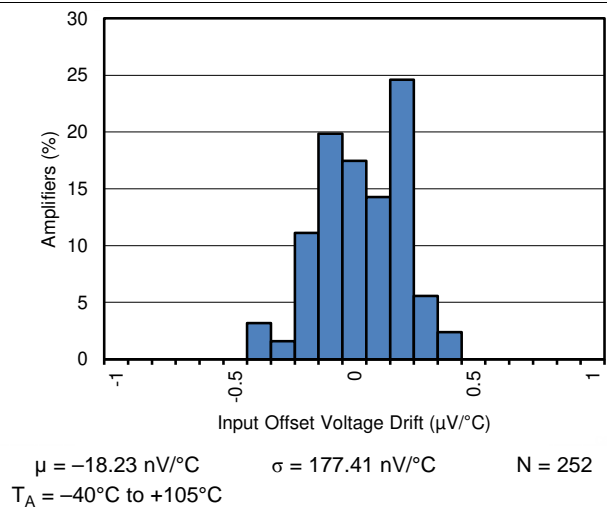


图 2. Offset Voltage Drift Distribution

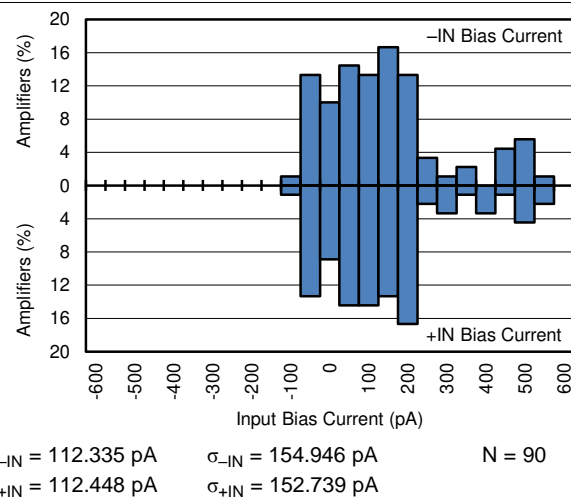


图 3. Input Bias Current Production Distribution

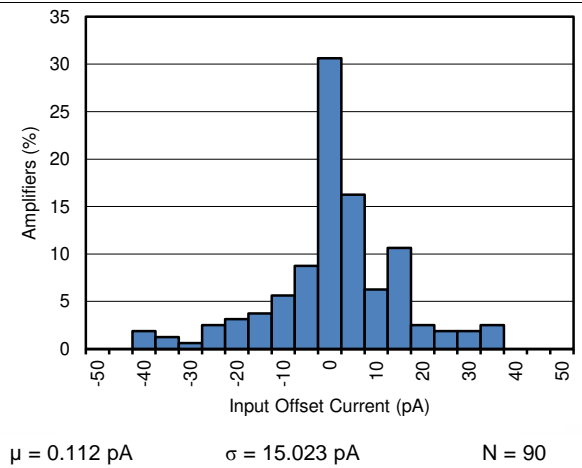


图 4. Input Offset Current Production Distribution

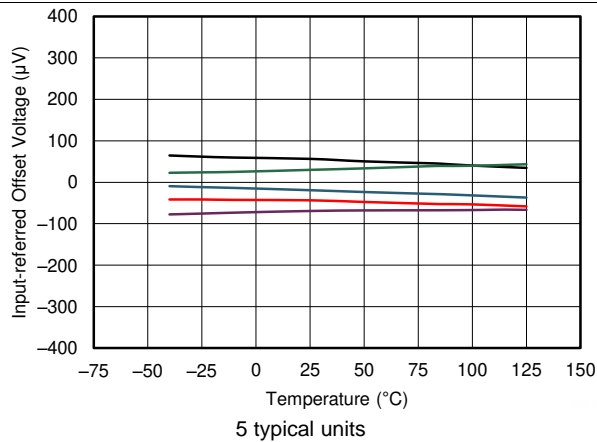


图 5. Offset Voltage vs Temperature

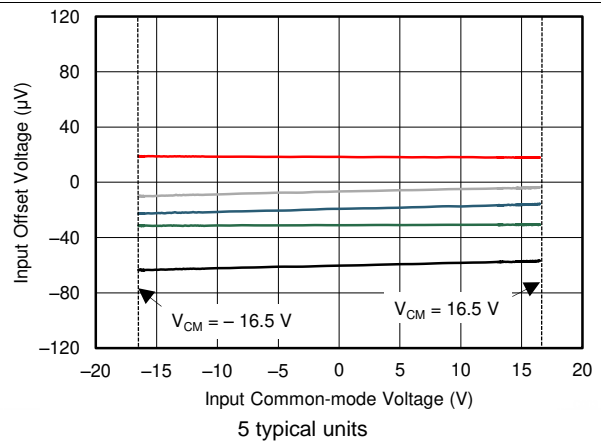


图 6. Offset Voltage vs Common-Mode Voltage

Typical Characteristics (continued)

at $T_A = 25^\circ\text{C}$, $V_S = \pm 18\text{ V}$, $V_{CM} = V_S / 2$, $R_{LOAD} = 10\text{ k}\Omega$ connected to $V_S / 2$, and $C_L = 100\text{ pF}$ (unless otherwise noted)

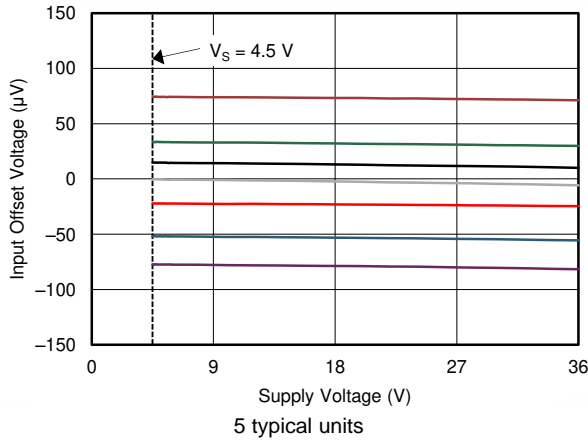


Figure 7. Offset Voltage vs Supply Voltage

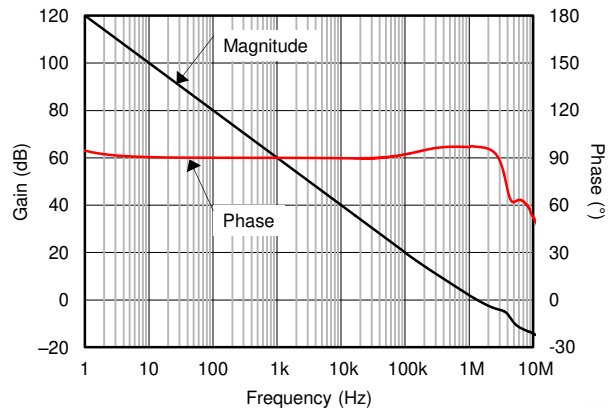


Figure 8. Open-Loop Gain and Phase vs Frequency

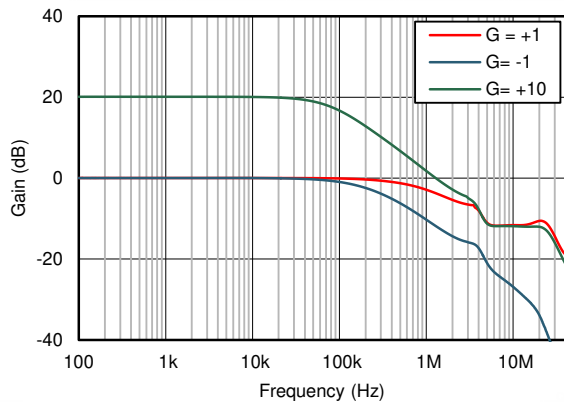


Figure 9. Closed-Loop Gain vs Frequency

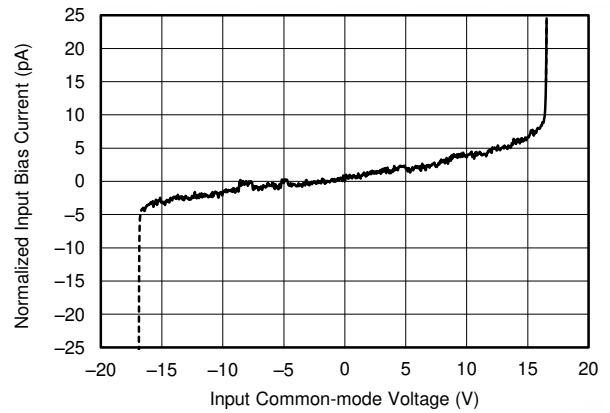


Figure 10. Input Bias Current vs Common-Mode Voltage

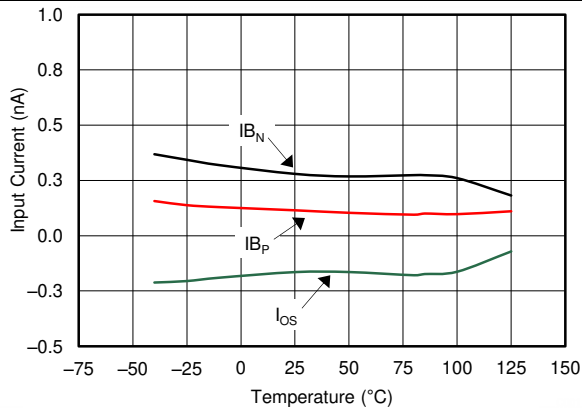


Figure 11. Input Bias Current and Offset vs Temperature

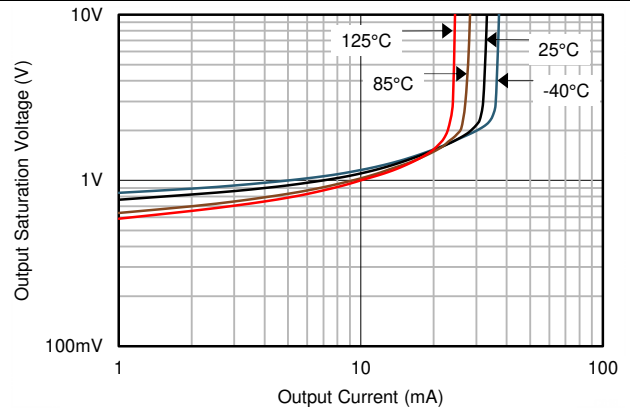
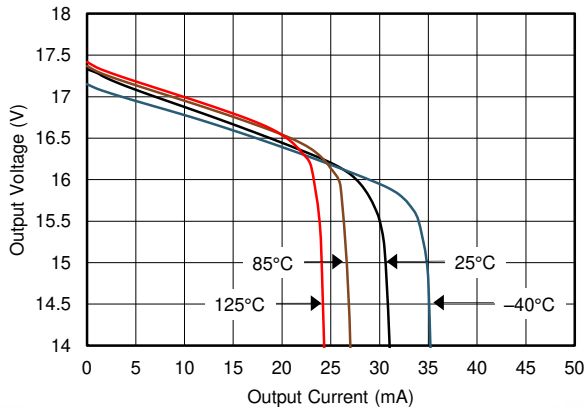


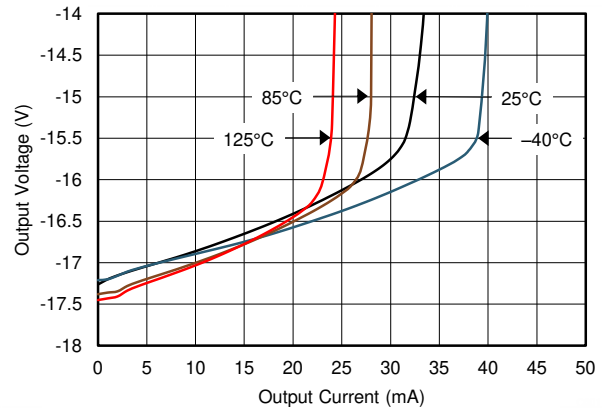
Figure 12. Output Voltage Swing vs Output Current

Typical Characteristics (continued)

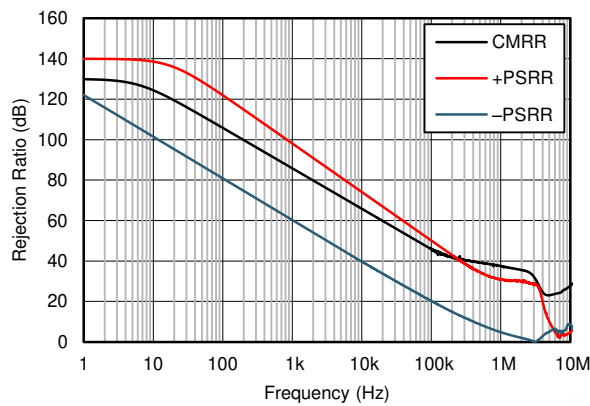
at $T_A = 25^\circ\text{C}$, $V_S = \pm 18\text{ V}$, $V_{CM} = V_S / 2$, $R_{LOAD} = 10\text{ k}\Omega$ connected to $V_S / 2$, and $C_L = 100\text{ pF}$ (unless otherwise noted)



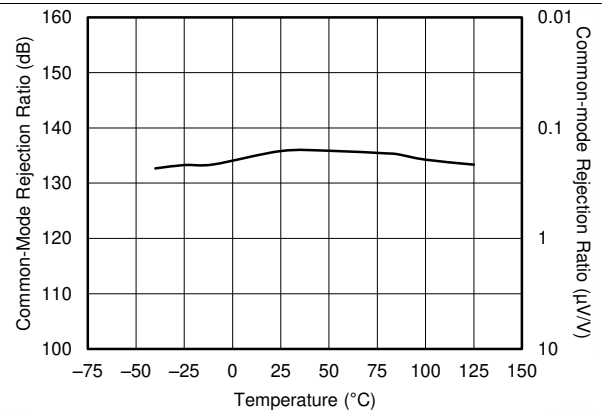
13. Output Voltage Swing vs Output Current (Sourcing)



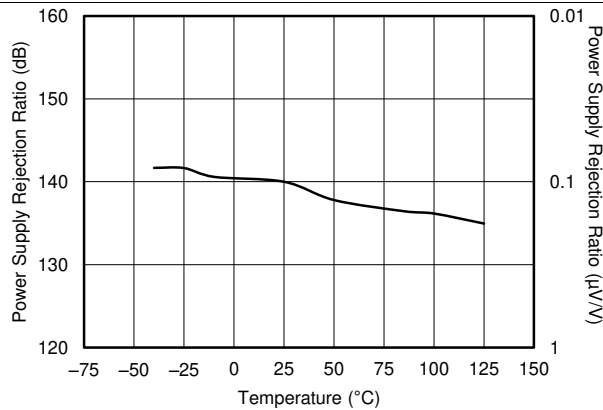
14. Output Voltage Swing vs Output Current (Sinking)



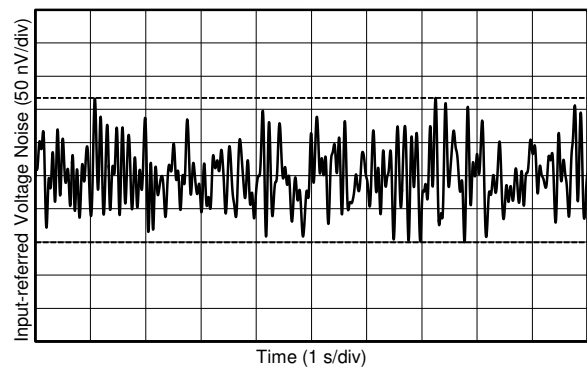
15. CMRR and PSRR vs Frequency



16. CMRR vs Temperature



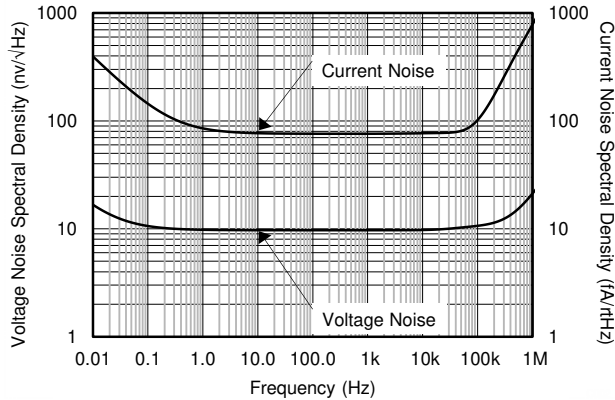
17. PSRR vs Temperature



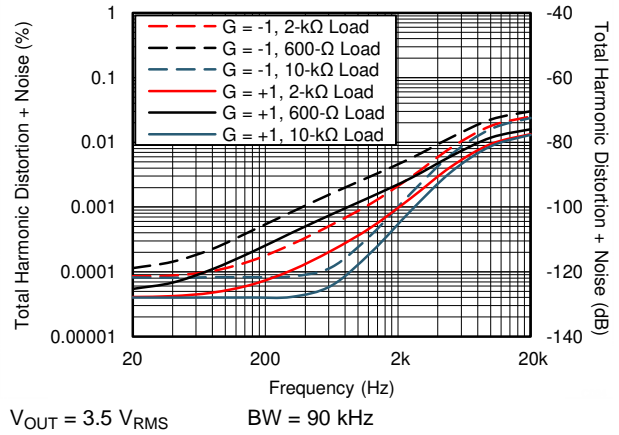
18. 0.1-Hz to 10-Hz Voltage Noise

Typical Characteristics (continued)

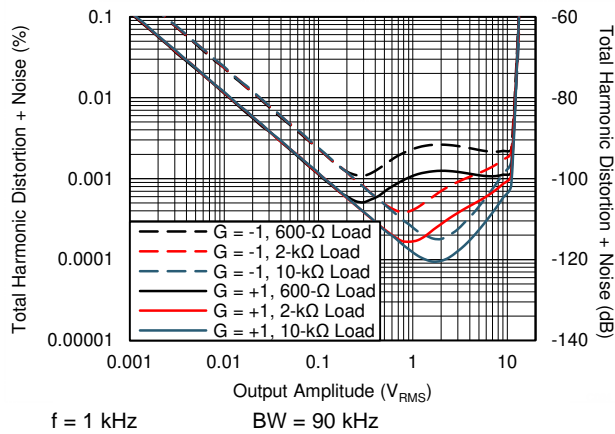
at $T_A = 25^\circ\text{C}$, $V_S = \pm 18\text{ V}$, $V_{CM} = V_S / 2$, $R_{LOAD} = 10\text{ k}\Omega$ connected to $V_S / 2$, and $C_L = 100\text{ pF}$ (unless otherwise noted)



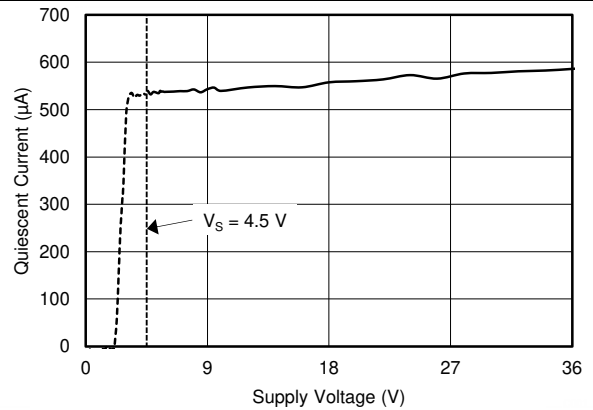
19. Input Voltage Noise Spectral Density vs Frequency



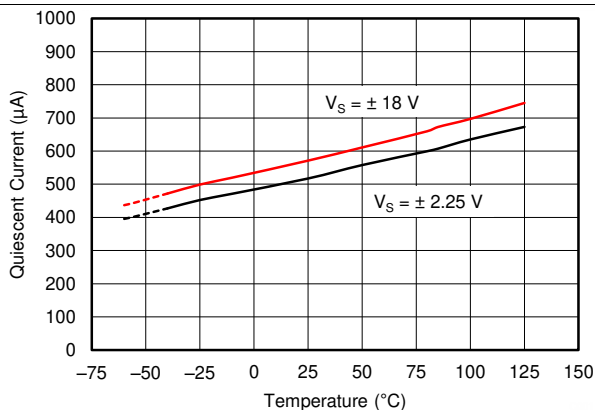
20. THD+N Ratio vs Frequency



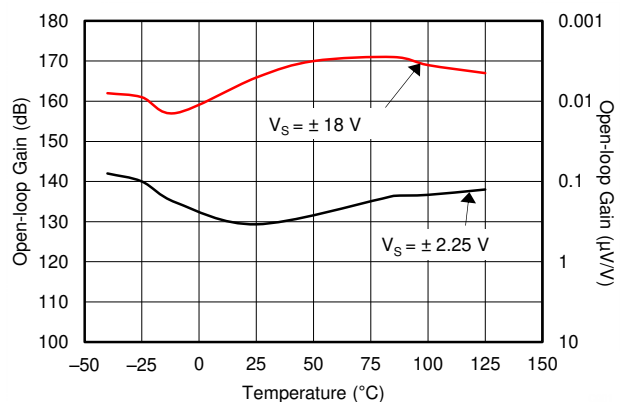
21. THD+N vs Output Amplitude



22. Quiescent Current vs Supply Voltage



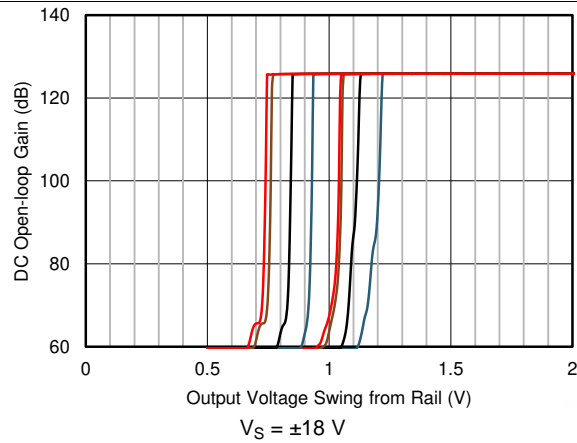
23. Quiescent Current vs Temperature



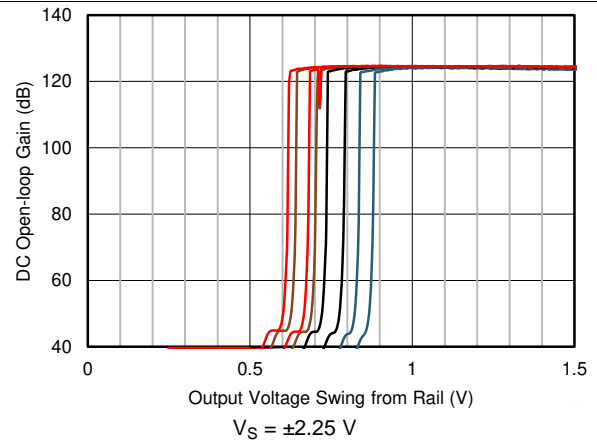
24. Open-Loop Gain vs Temperature (With 10-kΩ Load)

Typical Characteristics (continued)

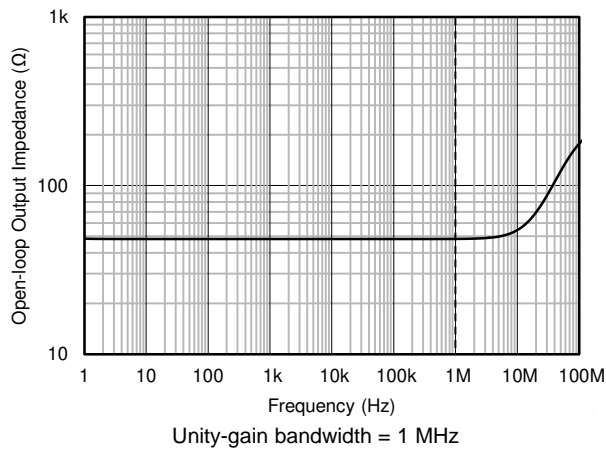
at $T_A = 25^\circ\text{C}$, $V_S = \pm 18\text{ V}$, $V_{CM} = V_S / 2$, $R_{LOAD} = 10\text{ k}\Omega$ connected to $V_S / 2$, and $C_L = 100\text{ pF}$ (unless otherwise noted)



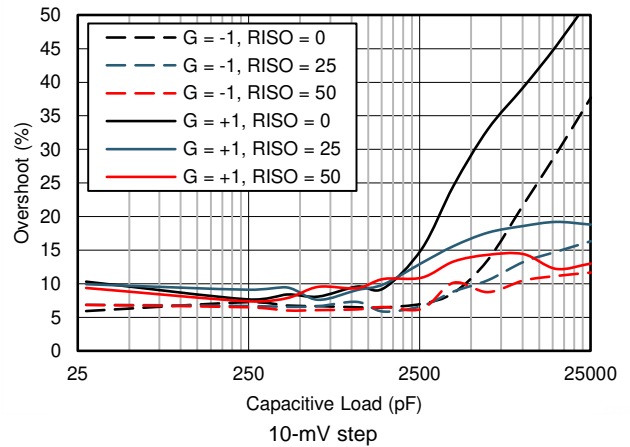
25. Open-Loop Gain vs Output Voltage Swing to Supply



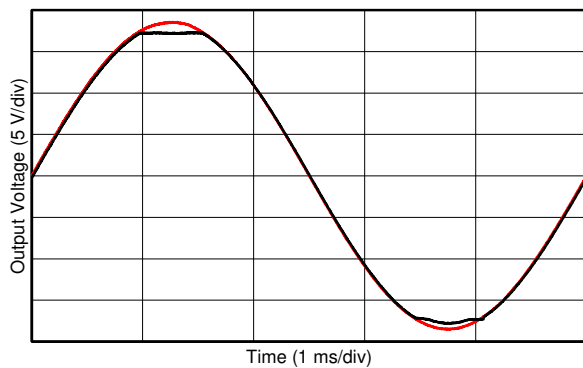
26. Open-Loop Gain vs Output Voltage Swing to Supply



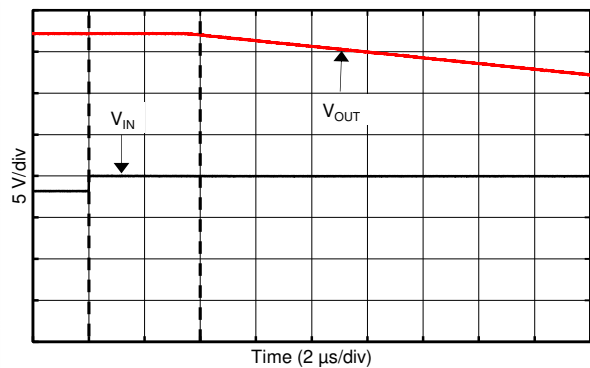
27. Open-Loop Output Impedance vs Frequency



28. Small-Signal Overshoot vs Capacitive Load



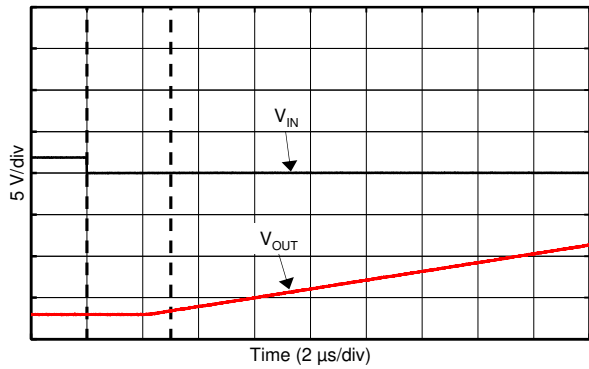
29. No Phase Reversal



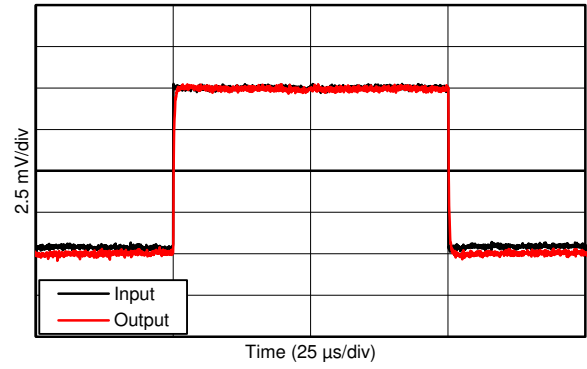
30. Positive Overload Recovery

Typical Characteristics (continued)

at $T_A = 25^\circ\text{C}$, $V_S = \pm 18\text{ V}$, $V_{CM} = V_S / 2$, $R_{LOAD} = 10\text{ k}\Omega$ connected to $V_S / 2$, and $C_L = 100\text{ pF}$ (unless otherwise noted)

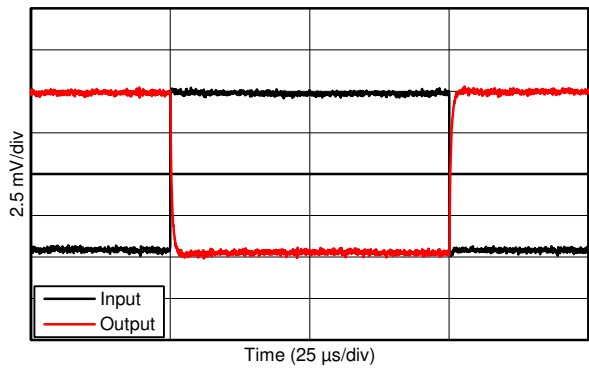


31. Negative Overload Recovery



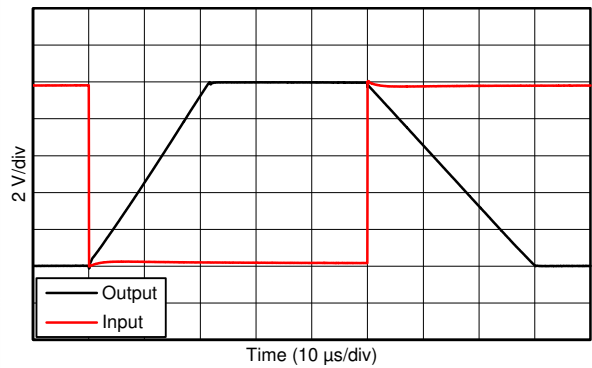
$G = +1$

32. Small-Signal Step Response (10-mV Step)



$G = -1$

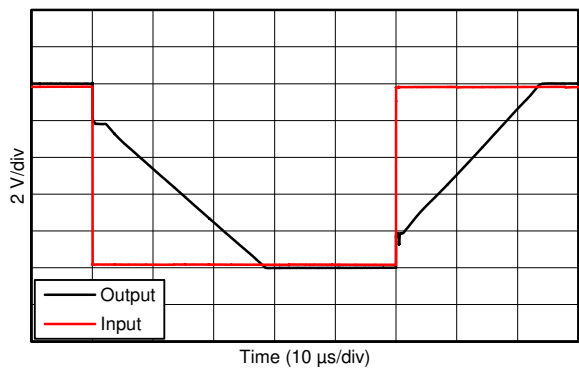
33. Small-Signal Step Response (10-mV Step)



$G = -1$

10-V step

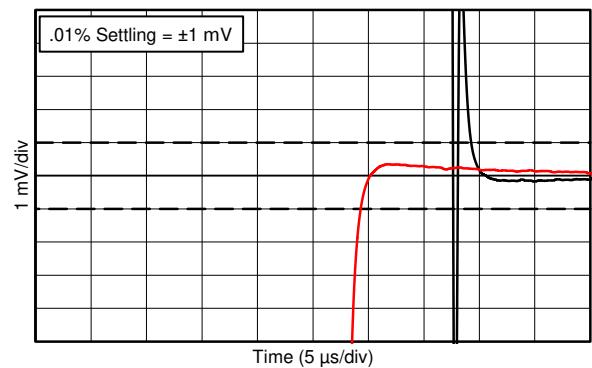
34. Large-Signal Step Response



$G = +1$

10-V step

35. Large-Signal Step Response

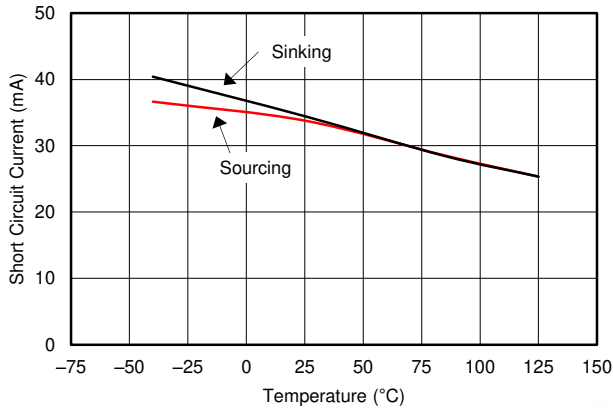


10-V step

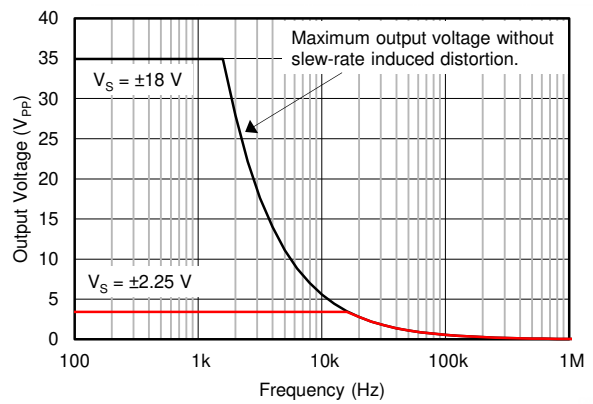
36. Settling Time

Typical Characteristics (continued)

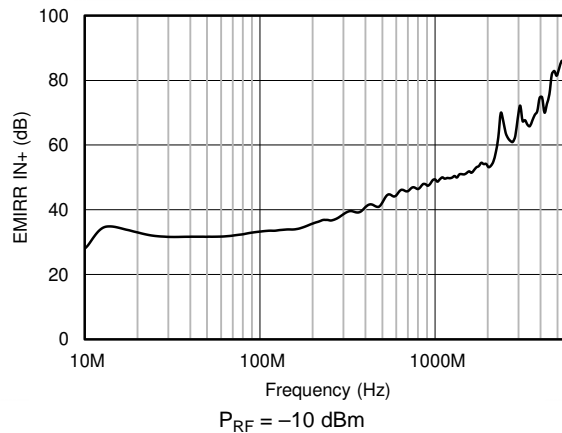
at $T_A = 25^\circ\text{C}$, $V_S = \pm 18\text{ V}$, $V_{CM} = V_S / 2$, $R_{LOAD} = 10\text{ k}\Omega$ connected to $V_S / 2$, and $C_L = 100\text{ pF}$ (unless otherwise noted)



☒ 37. Short-Circuit Current vs Temperature



☒ 38. Maximum Output Voltage Amplitude vs Frequency



☒ 39. EMIRR vs Frequency

7 Detailed Description

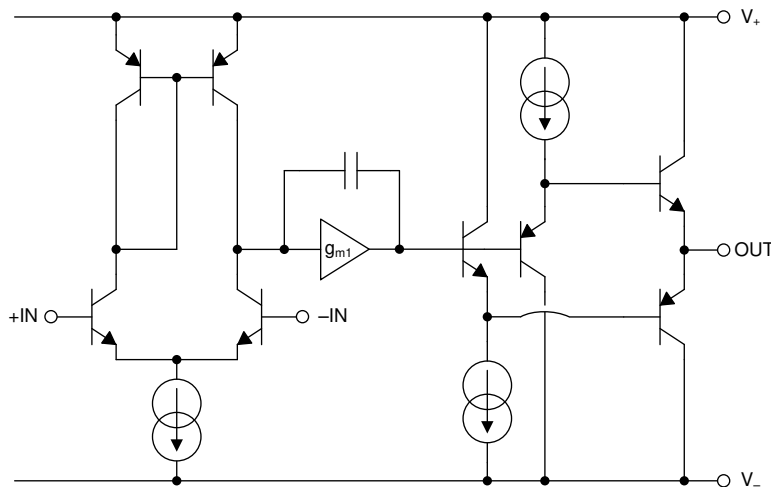
7.1 Overview

The OPA202, OPA2202, and OPA4202 (OPAx202) family of devices is a series of low-power, super-beta, bipolar junction transistor (super- β BJT), input amplifiers that features superior drift performance and low input bias current. The low output impedance and heavy capacitive load drive abilities allow designers to interface to modern, fast-acquisition, precision analog-to-digital converters (ADCs) and buffer precision voltage references and drive power supply decoupling capacitors. The OPAx202 achieve a 1-MHz gain-bandwidth product and a 0.35-V/ μ s slew rate, and consumes only 580 μ A (typical) of quiescent current, making the devices a great choice for low-power applications. These devices operate on a single 4.5-V to 36-V supply, or dual \pm 2.25-V to \pm 18-V supplies.

All versions are fully specified from -40°C to $+105^{\circ}\text{C}$ for use in the most challenging environments. The single-channel OPA202 is available in 8-pin SOIC, 8-pin VSSOP, and 5-pin SOT-23 packages. The dual-channel OPA2202 is available in an 8-pin VSSOP package. The quad-channel OPA4202 is available in a 14-pin SOIC package.

The [Functional Block Diagram](#) shows the simplified diagram of the OPAx202.

7.2 Functional Block Diagram




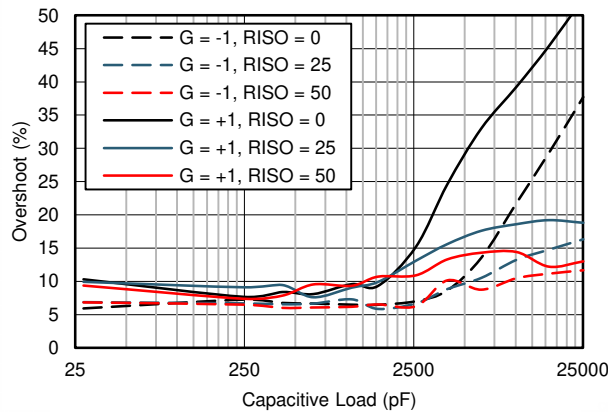
Copyright © 2017, Texas Instruments Incorporated

7.3 Feature Description

7.3.1 Capacitive Load and Stability

The dynamic characteristics of the OPAx202 are optimized for commonly encountered gains, loads, and operating conditions. The OPAx202 feature a patented output stage capable of driving large capacitive loads. In a unity-gain configuration, the series is capable of directly driving to 25 nF of pure capacitive load. Increase the gain to enhance the ability of the devices to drive greater capacitive loads. The particular op amp circuit configuration, layout, gain, and output loading are some of the factors to consider when establishing whether an amplifier is stable in operation.

The combination of low closed-loop gain and high capacitive loads decreases the phase margin of the amplifier, and can lead to gain peaking or oscillations. As a result, heavier capacitive loads must be isolated from the output. Add a small resistor (R_{OUT} equal to 50 Ω , for example) in series with the output to achieve isolation.  40 shows the effects on small-signal overshoot for several capacitive loads and combinations of isolation resistance. See the [Feedback Plots Define Op Amp AC Performance application bulletin](#) for details of analysis techniques and application circuits, available for download from the www.TI.com. By using isolation resistors, driving capacitive loads of 100 nF and beyond is possible.



 40. Small-Signal Overshoot vs Capacitive Load (10-mV Output Step)

Feature Description (continued)

For additional drive capability in unity-gain configurations, insert a small ($10\ \Omega$ to $20\ \Omega$) resistor (R_{ISO}) in series with the output to improve capacitive load drive, as shown in [Figure 41](#). This resistor reduces ringing and maintains dc performance for purely capacitive loads. However, if a resistive load is in parallel with the capacitive load, then a voltage divider is created, which introduces a gain error at the output and reduces the output swing. The error is proportional to the ratio R_{ISO} / R_L , and is generally negligible at low output levels. A high capacitive load drive makes the OPAX202 a great choice for applications such as reference buffers, MOSFET gate drives, and cable-shield drives. The circuit shown in [Figure 41](#) uses an isolation resistor (R_{ISO}) to stabilize the output of an op amp. R_{ISO} modifies the open-loop gain of the system for increased phase margin. [Table 2](#) lists the results using the OPAX202. For additional information on techniques to optimize and design using this circuit, TI Precision Design [TIPD128](#) details complete design goals, simulation, and test results.

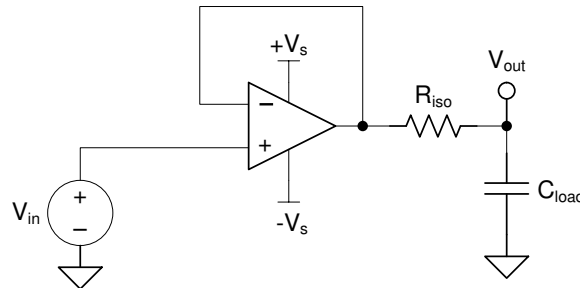


Figure 41. Extending Capacitive Load Drive With the OPAX202

Table 2. OPAX202 Capacitive Load Drive Solution Using Isolation Resistor Measured Results

PARAMETER	MEASURED OVERSHOOT (%)					
	INVERTING CONFIGURATION			NONINVERTING CONFIGURATION		
C_{LOAD} (pF)	$R_{ISO} = 0\ \Omega$	$R_{ISO} = 25\ \Omega$	$R_{ISO} = 50\ \Omega$	$R_{ISO} = 0\ \Omega$	$R_{ISO} = 25\ \Omega$	$R_{ISO} = 50\ \Omega$
31	8.6	6.6	6.6	9.3	9	9.4
251	6.7	6.4	6.7	8.9	8.9	8.9
421	6.4	6.3	6.6	8.8	8.8	8.7
641	6.7	6.3	6.5	8.1	8.8	8.5
1079	6.1	6.1	6.4	8.6	8.7	9.8
1539	6.4	6.3	6.1	8.9	10.3	10.1
2579	6.1	6.3	6.9	16	13.3	12
3949	8.1	7.9	8.3	25	16	14.1
6269	14.9	10.8	9.9	33.1	18.1	14.5
10139	21.8	13.5	10.8	40.2	19.1	15.4
15729	29.4	15.2	11.6	46.2	19.6	14.5
25069	37	16.5	12.3	52.6	19.2	13.9

For step-by-step design procedure, circuit schematics, bill of materials, printed circuit board (PCB) files, simulation results, and test results, see [TIPD128, Capacitive Load Drive Solution Using an Isolation Resistor verified reference design](#).

7.3.2 Output Current Limit

The output current of the OPAx202 is limited by internal circuitry to ±35 mA (sinking or sourcing) to protect the device if the output is accidentally shorted. This short-circuit current depends on temperature, as [Figure 37](#) shows.

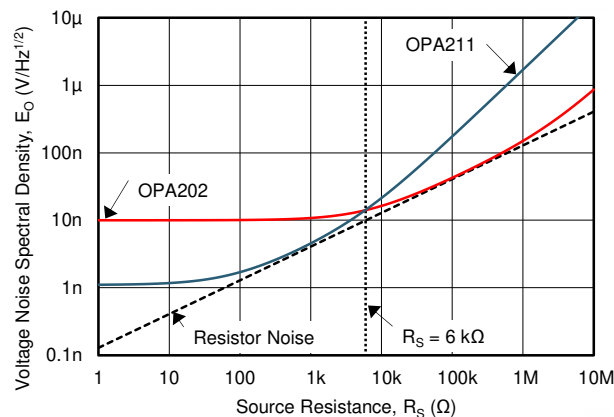
7.3.3 Noise Performance

[Figure 42](#) shows the total circuit noise for varying source impedances with the operational amplifier in a unity-gain configuration (with no feedback resistor network and therefore no additional noise contributions). The OPAx202 and OPA211 are shown with total circuit noise calculated. The op amp itself contributes a voltage noise component and a current noise component. The voltage noise is commonly modeled as a time-varying component of the offset voltage. The current noise is modeled as the time-varying component of the input bias current and reacts with the source resistance to create a voltage component of noise. Therefore, the lowest noise op amp for a given application depends on the source impedance. For low source impedance, current noise is negligible and voltage noise dominates. The OPAx202 have both low voltage noise and low current noise because of the super-beta bipolar junction transistor (super-β BJT) input of the op amp. As a result, the current noise contribution of the OPAx202 is negligible for most practical source impedances, which makes the series the better choice for applications with high source impedance.

The equation in [Figure 42](#) shows the calculation of the total circuit noise with these parameters:

- e_n = voltage noise
- I_n = current noise
- R_S = source impedance
- k = Boltzmann's constant = 1.38×10^{-23} J/K
- T = temperature in kelvins (K)

For more details on calculating noise, see [Basic Noise Calculations](#).



NOTE: For source resistances (R_S) greater than 6 kΩ, the OPAx202 is a lower-noise option compared to the OPA211, as shown in [Figure 42](#).

Figure 42. Noise Performance of the OPAx202 vs the OPA211 in a Unity-Gain Buffer Configuration

7.3.4 Phase-Reversal Protection

The OPAx202 family has internal phase-reversal protection. Many FET- and bipolar-input op amps exhibit a phase reversal when the input is driven beyond its linear common-mode range. This condition is most often encountered in noninverting circuits when the input is driven beyond the specified common-mode voltage range, causing the output to reverse into the opposite rail. The input circuitry of the OPAx202 prevents phase reversal with excessive common-mode voltage; instead, the output limits into the appropriate rail (see [Figure 29](#)).

7.3.5 Thermal Protection

The OPAx202 family of op amps is capable of driving 2-k Ω loads with power-supply voltages of up to ± 18 V across the specified temperature range. In a single-supply configuration, where the load is connected to the negative supply voltage, the minimum load resistance is 1.1 k Ω at a supply voltage of 36 V. For lower supply voltages (either single-supply or symmetrical supplies), a lower load resistance may be used as long as the output current does not exceed 35 mA; otherwise, the device short-circuit current protection circuit may activate.

Internal power dissipation increases when operating at high supply voltages. Copper leadframe construction used in the OPAx202 devices improves heat dissipation. Printed-circuit-board (PCB) layout helps reduce a possible increase in junction temperature. Wide copper traces help dissipate the heat by acting as an additional heat sink. An increase in temperature is further minimized by soldering the devices directly to the PCB rather than using a socket.

Although the output current is limited by internal protection circuitry, accidental shorting of one or more output channels of a device can result in excessive heating. For instance, when an output is shorted to midsupply, the typical short-circuit current of 35 mA leads to an internal power dissipation of over 600 mW at a supply of ± 18 V.

To prevent excessive heating, the OPAx202 have an internal thermal shutdown circuit that shuts down the device if the die temperature exceeds approximately 135°C. When this thermal shutdown circuit activates, a built-in hysteresis of 10°C makes sure that the die temperature drops to approximately 125°C before the device switches on again. Additional consideration must be given to the combination of maximum operating voltage, maximum operating temperature, load, and package type.

7.3.6 Electrical Overstress

Designers often ask questions about the capability of an operational amplifier to withstand electrical overstress. These questions tend to focus on the device inputs, but may involve the supply voltage pins or even the output pin. Each of these different pin functions have electrical stress limits determined by the voltage breakdown characteristics of the particular semiconductor fabrication process and specific circuits connected to the pin. Additionally, internal electrostatic discharge (ESD) protection is built into these circuits to protect them from accidental ESD events both before and during product assembly.

It is helpful to have a good understanding of this basic ESD circuitry and the relevance to an electrical overstress event. See [Figure 43](#) for an illustration of the ESD circuits contained in the OPAx202 (indicated by the dashed line area). The ESD protection circuitry involves several current-steering diodes connected from the input and output pins and routed back to the internal power-supply lines, where they meet at an absorption device internal to the operational amplifier. This protection circuitry is intended to remain inactive during normal circuit operation.

An ESD event produces a short duration, high-voltage pulse that is transformed into a short duration, high-current pulse as the pulse discharges through a semiconductor device. The ESD protection circuits are designed to provide a current path around the operational amplifier core to protect the core from damage. The energy absorbed by the protection circuitry is then dissipated as heat.

When an ESD voltage develops across two or more of the amplifier device pins, current flows through one or more of the steering diodes. Depending on the path that the current takes, the absorption device may activate. The absorption device has a trigger, or threshold voltage, that is above the normal operating voltage of the OPAx202 but below the device breakdown voltage level. Once this threshold is exceeded, the absorption device quickly activates and clamps the voltage across the supply rails to a safe level.

When the operational amplifier connects into a circuit (such as the one [Figure 43](#) shows), the ESD protection components are intended to remain inactive and not become involved in the application circuit operation. However, circumstances may arise where an applied voltage exceeds the operating voltage range of a given pin. If this condition occurs, there is a risk that some of the internal ESD protection circuits may be biased on and conduct current. Any such current flow occurs through steering diode paths and rarely involves the absorption device.

Figure 43 shows a specific example where the input voltage, V_{IN} , exceeds the positive supply voltage ($+V_S$) by 500 mV or more. Much of what happens in the circuit depends on the supply characteristics. If $+V_S$ can sink the current, one of the upper input steering diodes conducts and directs current to $+V_S$. Excessively high current levels can flow with increasingly higher V_{IN} . As a result, the data sheet specifications recommend that applications limit the input current to 10 mA.

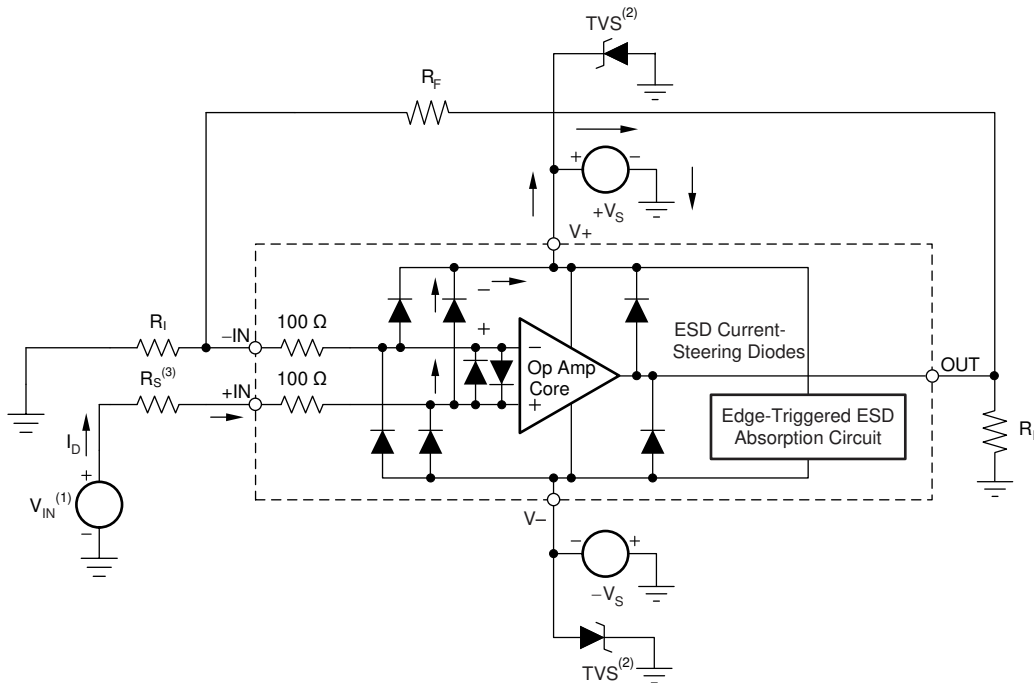
If the supply is not capable of sinking the current, V_{IN} may begin sourcing current to the operational amplifier, and then take over as the source of positive supply voltage. The danger in this case is that the voltage can rise to levels that exceed the operational amplifier absolute maximum ratings.

Another common question involves what happens to the amplifier if an input signal is applied to the input while the power supplies $+V_S$ or $-V_S$ are at 0 V.

It depends on the supply characteristic while at 0 V, or at a level below the input signal amplitude. If the supplies appear as high impedance, then the operational amplifier supply current may be supplied by the input source through the current steering diodes. This state is not a normal bias condition; the amplifier most likely does not operate normally. If the supplies are low impedance, then the current through the steering diodes can become quite high. The current level depends on the ability of the input source to deliver current, and any resistance in the input path.

If there is an uncertainty about the ability of the supply to absorb this current, external Zener diodes may be added to the supply pins as shown in Figure 43. The Zener voltage must be selected such that the diode does not turn on during normal operation.

However, the Zener voltage must be low enough so that the Zener diode conducts if the supply pin rises above the safe operating supply voltage level.



Copyright © 2017, Texas Instruments Incorporated

- (1) $V_{IN} = +V_S + 500 \text{ mV}$.
- (2) TVS: $+V_{S(max)} > V_{TVSBR (Min)} > +V_S$
- (3) Suggested value is approximately 5 kΩ in overvoltage conditions.

Figure 43. Equivalent Internal ESD Circuitry in a Typical Application Circuit

7.3.7 EMI Rejection

The electromagnetic interference (EMI) rejection ratio, or EMIRR, describes the EMI immunity of operational amplifiers. An adverse effect that is common to many op amps is a change in the offset voltage as a result of RF signal rectification. An op amp that is more efficient at rejecting this change in offset as a result of EMI has a higher EMIRR and is quantified by a decibel value. Measuring EMIRR is performed in many ways, but this section provides the EMIRR IN+, which specifically describes the EMIRR performance when the RF signal is applied to the noninverting input pin of the op amp. In general, only the noninverting input is tested for EMIRR for the following three reasons:

- Op amp input pins are known to be the most sensitive to EMI, and typically rectify RF signals better than the supply or output pins.
- The noninverting and inverting op amp inputs have symmetrical physical layouts and exhibit matching EMIRR performance
- EMIRR is easier to measure on noninverting pins than on other pins because the noninverting input pin can be isolated on a PCB. This isolation allows the RF signal to be applied directly to the noninverting input pin with no complex interactions from other components or connecting PCB traces.

High-frequency signals conducted or radiated to any pin of the operational amplifier may result in adverse effects, as the amplifier does not have sufficient loop gain to correct for signals with spectral content outside the bandwidth. Conducted or radiated EMI on inputs, power supply, or output may result in unexpected DC offsets, transient voltages, or other unknown behavior. Take care to properly shield and isolate sensitive analog nodes from noisy radio signals and digital clocks and interfaces. shows the effect of conducted EMI to the power supplies on the input offset voltage of OPAx202.

The EMIRR IN+ of the OPAx202 is plotted versus frequency, as shown in [Figure 44](#). If available, any dual and quad op-amp device versions have similar EMIRR IN+ performance. The OPAx202 unity-gain bandwidth is 1 MHz. EMIRR performance less than this frequency denotes interfering signals that fall within the op-amp bandwidth.

See the [EMI Rejection Ratio of Operational Amplifiers application report](#), available for download from www.ti.com.

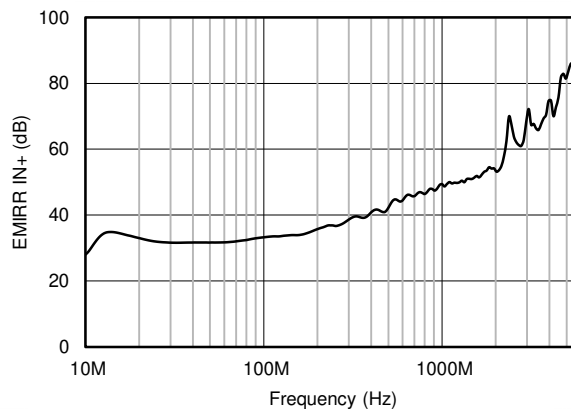


Figure 44. OPAx202 EMIRR IN+

表 3 lists the EMIRR IN+ values for the OPAX202 at particular frequencies commonly encountered in real-world applications. 表 3 lists applications that may be centered on or operated near the particular frequency shown. This information may be of special interest to designers working with these types of applications, or working in other fields likely to encounter RF interference from broad sources, such as the industrial, scientific, and medical (ISM) radio band.

表 3. OPAX202 EMIRR IN+ for Frequencies of Interest

FREQUENCY	APPLICATION OR ALLOCATION	EMIRR IN+
400 MHz	Mobile radio, mobile satellite, space operation, weather, radar, ultra-high frequency (UHF) applications	41 dB
900 MHz	Global system for mobile communications (GSM) applications, radio communication, navigation, GPS (to 1.6 GHz), GSM, aeronautical mobile, UHF applications	47 dB
1.8 GHz	GSM applications, mobile personal communications, broadband, satellite, L-band (1 GHz to 2 GHz)	54 dB
2.4 GHz	802.11b, 802.11g, 802.11n, Bluetooth®, mobile personal communications, industrial, scientific and medical (ISM) radio band, amateur radio and satellite, S-band (2 GHz to 4 GHz)	67 dB
3.6 GHz	Radiolocation, aero communication and navigation, satellite, mobile, S-band	67 dB
5 GHz	802.11a, 802.11n, aero communication and navigation, mobile communication, space and satellite operation, C-band (4 GHz to 8 GHz)	81 dB

7.3.8 EMIRR +IN Test Configuration

图 45 shows the circuit configuration for testing the EMIRR IN+. An RF source is connected to the op amp noninverting input pin using a transmission line. The op amp is configured in a unity-gain buffer topology with the output connected to a low-pass filter (LPF) and a digital multimeter (DMM). A large impedance mismatch at the op amp input causes a voltage reflection; however, this effect is characterized and accounted for when determining the EMIRR IN+. The resulting DC offset voltage is sampled and measured by the multimeter. The LPF isolates the multimeter from residual RF signals that may interfere with multimeter accuracy.

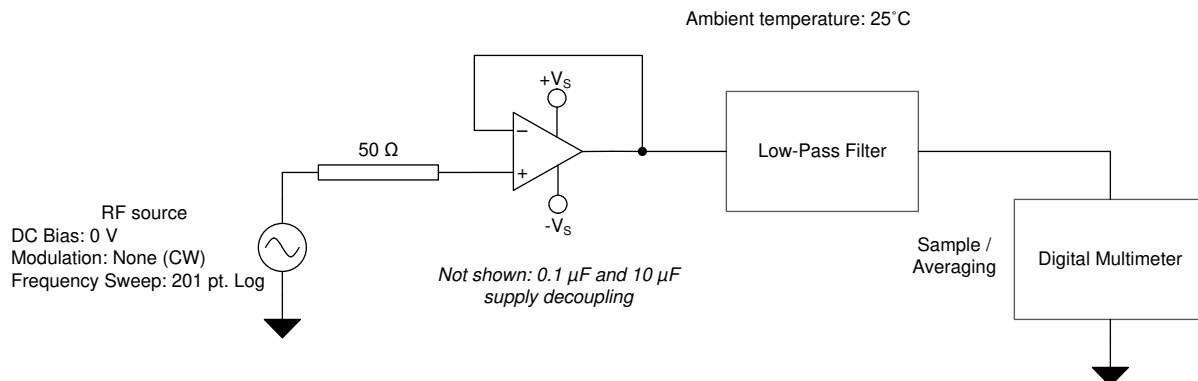


图 45. EMIRR +IN Test Configuration

7.4 Device Functional Modes

The OPAX202 have a single functional mode and are operational when the power-supply voltage is greater than 4.5 V (± 2.25 V). The maximum power supply voltage for the OPAX202 is 36 V (± 18 V).

8 Application and Implementation

注

Information in the following applications sections is not part of the TI component specification, and TI does not warrant its accuracy or completeness. TI's customers are responsible for determining suitability of components for their purposes. Customers should validate and test their design implementation to confirm system functionality.

8.1 Application Information

The OPA202, OPA2202, and OPA4202 (OPAx202) are unity-gain stable operational amplifiers with low noise, low input bias current, and low input offset voltage. Applications with noisy or high-impedance power supplies require decoupling capacitors placed close to the device pins. In most cases, 0.1- μ F capacitors are adequate. Designers can use the low output impedance and heavy capacitive load drive abilities to interface to modern, fast-acquisition, precision analog-to-digital converters (ADCs) and buffer precision voltage references and drive power supply decoupling capacitors.

8.1.1 Basic Noise Calculations

Low-noise circuit design requires careful analysis of all noise sources. External noise sources dominates in many cases; consider the effect of source resistance on overall op amp noise performance. Total noise of the circuit is the root-sum-square combination of all noise components.

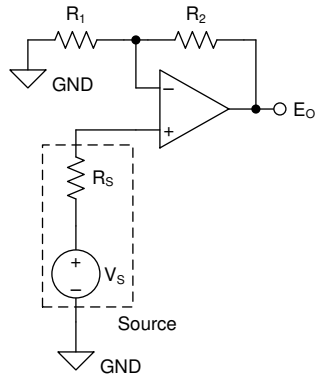
The resistive portion of the source impedance produces thermal noise proportional to the square root of the resistance. [Figure 42](#) shows this function. The source impedance is usually fixed; consequently, select the op amp and the feedback resistors to minimize the respective contributions to the total noise.

[Figure 46](#) shows noninverting **(A)** and inverting **(B)** op amp circuit configurations with gain. In circuit configurations with gain, the feedback network resistors contribute noise. Typically, the current noise of the op amp reacts with the feedback resistors to create additional noise components. However, the extremely low current noise of the OPAx202 means that the current noise contribution is neglected.

The feedback resistor values are typically selected to make these noise sources negligible. Low impedance feedback resistors load the output of the amplifier. The equations for total noise are shown for both configurations.

Application Information (continued)

(A) Noise in Noninverting Gain Configuration



Noise at the output is given as E_o , where

$$(1) \quad E_o = \left(1 + \frac{R_2}{R_1} \right) \cdot \sqrt{(e_S)^2 + (e_N)^2 + (e_{R_1 \parallel R_2})^2 + (i_N \cdot R_S)^2 + \left(i_N \cdot \left[\frac{R_1 \cdot R_2}{R_1 + R_2} \right] \right)^2} \quad [V_{RMS}]$$

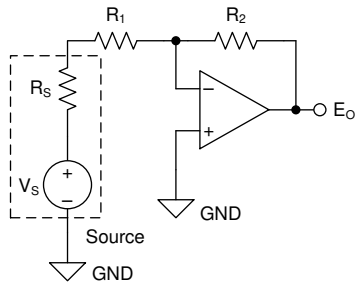
$$(2) \quad e_S = \sqrt{4 \cdot k_B \cdot T(K) \cdot R_S} \quad \left[\frac{V}{\sqrt{Hz}} \right] \quad \text{Thermal noise of } R_S$$

$$(3) \quad e_{R_1 \parallel R_2} = \sqrt{4 \cdot k_B \cdot T(K) \cdot \left[\frac{R_1 \cdot R_2}{R_1 + R_2} \right]} \quad \left[\frac{V}{\sqrt{Hz}} \right] \quad \text{Thermal noise of } R_1 \parallel R_2$$

$$(4) \quad k_B = 1.38065 \cdot 10^{-23} \quad \left[\frac{J}{K} \right] \quad \text{Boltzmann Constant}$$

$$(5) \quad T(K) = 237.15 + T(^{\circ}C) \quad [K] \quad \text{Temperature in kelvins}$$

(B) Noise in Inverting Gain Configuration



Noise at the output is given as E_o , where

$$(6) \quad E_o = \left(1 + \frac{R_2}{R_S + R_1} \right) \cdot \sqrt{(e_N)^2 + (e_{R_1 + R_S \parallel R_2})^2 + \left(i_N \cdot \left[\frac{(R_S + R_1) \cdot R_2}{R_S + R_1 + R_2} \right] \right)^2} \quad [V_{RMS}]$$

$$(7) \quad e_{R_1 + R_S \parallel R_2} = \sqrt{4 \cdot k_B \cdot T(K) \cdot \left[\frac{(R_S + R_1) \cdot R_2}{R_S + R_1 + R_2} \right]} \quad \left[\frac{V}{\sqrt{Hz}} \right] \quad \text{Thermal noise of } (R_1 + R_S) \parallel R_2$$

$$(8) \quad k_B = 1.38065 \cdot 10^{-23} \quad \left[\frac{J}{K} \right] \quad \text{Boltzmann Constant}$$

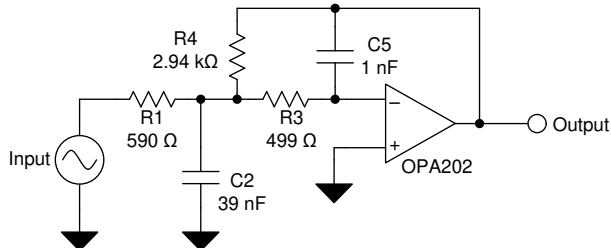
$$(9) \quad T(K) = 237.15 + T(^{\circ}C) \quad [K] \quad \text{Temperature in kelvins}$$

Copyright © 2017, Texas Instruments Incorporated

- (1) e_N = the voltage noise of the amplifier = $9 \text{ nV}/\sqrt{\text{Hz}}$ at 1 kHz.
- (2) i_N = the current noise of the amplifier = $76 \text{ fA}/\sqrt{\text{Hz}}$ at 1 kHz.
- (3) For additional resources on noise calculations, visit [TI's Precision Labs](#).

46. Noise Calculation in Gain Configurations

8.2 Typical Application



Copyright © 2017, Texas Instruments Incorporated

FIG 47. 25-kHz, Low-Pass Filter

8.2.1 Design Requirements

Low-pass filters are used in signal processing applications to reduce noise and prevent aliasing. The OPAx202 devices are designed to construct high-speed, high-precision active filters. FIG 47 shows a second-order, low-pass filter commonly encountered in signal processing applications.

Use the following parameters for this design example:

- Gain = 5 V/V (inverting gain)
- Low-pass cutoff frequency = 25 kHz
- Second-order Chebyshev filter response with 3-dB gain peaking in the passband

8.2.2 Detailed Design Procedure

The infinite-gain multiple-feedback circuit for a low-pass network function is shown in FIG 47. Use 式 1 to calculate the voltage transfer function.

$$\frac{\text{Output}}{\text{Input}}(s) = \frac{-1/R_1 R_3 C_2 C_5}{s^2 + (s/C_2)(1/R_1 + 1/R_3 + 1/R_4) + 1/R_3 R_4 C_2 C_5} \quad (1)$$

This circuit produces a signal inversion. For this circuit, the gain at DC and the low-pass cutoff frequency are calculated by 式 2:

$$\text{Gain} = \frac{R_4}{R_1}$$

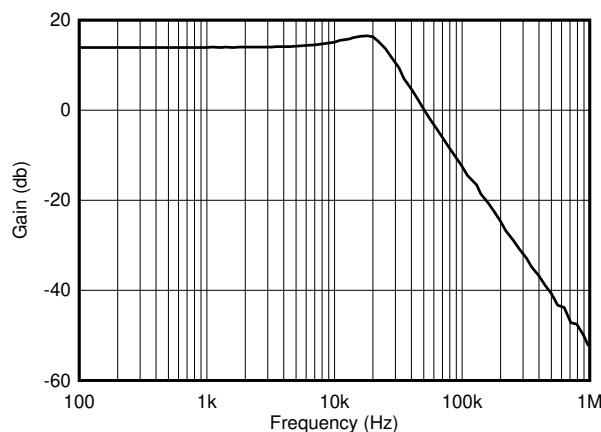
$$f_c = \frac{1}{2\pi} \sqrt{1/R_3 R_4 C_2 C_5} \quad (2)$$

Software tools are readily available to simplify filter design. WEBENCH® Filter Designer is a simple, powerful, and easy-to-use active filter design program. The [WEBENCH® Filter Designer](#) lets you create optimized filter designs using a selection of TI operational amplifiers and passive components from TI's vendor partners.

Available as a web based tool from the WEBENCH Design Center, WEBENCH Filter Designer allows you to design, optimize, and simulate complete multistage active filter solutions within minutes.

Typical Application (continued)

8.2.3 Application Curve



⊠ 48. OPAx202 Second-Order, 25-kHz, Chebyshev, Low-Pass Filter

9 Power Supply Recommendations

The OPAx202 are specified for operation from 4.5 V to 36 V (± 2.25 V to ± 18 V); many specifications apply from -40°C to $+105^{\circ}\text{C}$. Parameters that can exhibit significant variance with regard to operating voltage or temperature are shown in the [Typical Characteristics](#).

注意

Supply voltages greater than 40 V can permanently damage the device; see the [Absolute Maximum Ratings](#).

Place 0.1- μF bypass capacitors close to the power-supply pins to reduce errors coupling in from noisy or high-impedance power supplies. For more detailed information on bypass capacitor placement, see the [Layout](#) section.

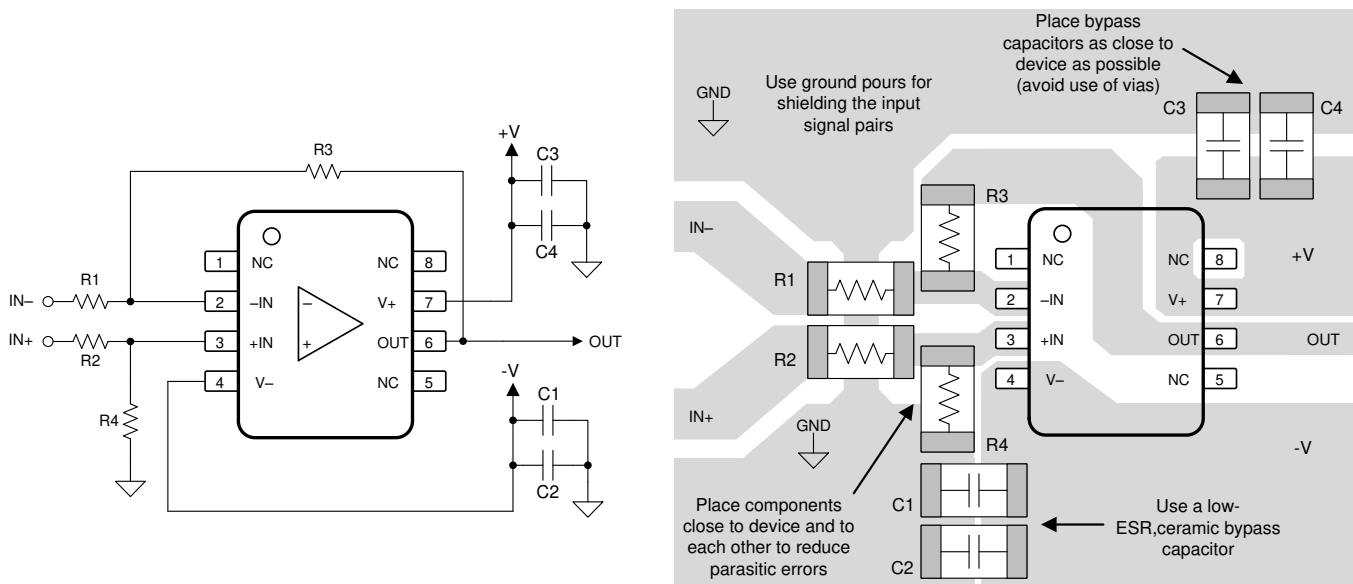
10 Layout

10.1 Layout Guidelines

For best operational performance of the device, use good PCB layout practices, including:

- Noise can propagate into analog circuitry through the power pins of the circuit as a whole and the op amp itself. Bypass capacitors are used to reduce the coupled noise by providing low-impedance power sources local to the analog circuitry.
 - Connect low-ESR, 0.1- μ F ceramic bypass capacitors between each supply pin and ground, placed as close as possible to the device. A single bypass capacitor from V+ to ground is applicable for single-supply applications.
- Separate grounding for analog and digital portions of circuitry is one of the simplest and most effective methods of noise suppression. One or more layers on multilayer PCBs are usually devoted to ground planes. A ground plane helps distribute heat and reduces EMI noise pickup. Make sure to physically separate digital and analog grounds paying attention to the flow of the ground current. For more detailed information, see [The PCB is a component of op amp design](#).
- To reduce parasitic coupling, run the input traces as far away as possible from the supply or output traces. If these traces cannot be kept separate, crossing the sensitive trace perpendicular is much better as opposed to in parallel with the noisy trace.
- Place the external components as close as possible to the device. As shown in [Figure 49](#), keeping RF and RG close to the inverting input minimizes parasitic capacitance.
- Keep the length of input traces as short as possible. Always remember that the input traces are the most sensitive part of the circuit.
- Consider a driven, low-impedance guard ring around the critical traces. A guard ring can significantly reduce leakage currents from nearby traces that are at different potentials.
- For best performance, TI recommends cleaning the PCB following board assembly.
- Any precision integrated circuit may experience performance shifts due to moisture ingress into the plastic package. Following any aqueous PCB cleaning process, TI recommends baking the PCB assembly to remove moisture introduced into the device packaging during the cleaning process. A low temperature, post cleaning bake at 85°C for 30 minutes is sufficient for most circumstances.

10.2 Layout Example



Copyright © 2017, Texas Instruments Incorporated

Figure 49. Operational Amplifier Board Layout for Difference Amplifier Configuration

11 デバイスおよびドキュメントのサポート

11.1 デバイス・サポート

11.1.1 開発サポート

11.1.1.1 TINA-TI™(無料のダウンロード・ソフトウェア)

TINA™は、SPICEエンジンをベースにした単純かつ強力な、使いやすい回路シミュレーション・プログラムです。また、TINA-TIは、TINAソフトウェアの完全な機能を持つ無償バージョンで、パッシブ・モデルとアクティブ・モデルに加えて、マクロ・モデルのライブラリがプリロードされています。TINA-TIには、SPICEの標準的なDC解析、過渡解析、周波数ドメイン解析などの全機能に加え、追加の設計機能が搭載されています。

TINA-TIはAnalog eLab Design Centerから無料でダウンロードでき、ユーザーが結果をさまざまな方法でフォーマットできる、広範な後処理機能を備えています。仮想計測器により、入力波形を選択し、回路ノード、電圧、および波形をプロブして、動的なクイック・スタート・ツールを作成できます。

注

これらのファイルを使用するには、TINA ソフトウェア (DesignSoft™製) またはTINA-TIソフトウェアがインストールされている必要があります。TINA-TIフォルダから、無料のTINA-TIソフトウェアをダウンロードしてください。

11.1.1.2 WEBENCH Filter Designerツール

WEBENCH® Filter Designerは単純で強力な、使いやすいアクティブ・フィルタ設計プログラムです。WEBENCH Filter Designerを使用すると、TIのベンダ・パートナーからのTI製オペアンプやパッシブ・コンポーネントを使用して、最適なフィルタ設計を作成できます。

11.1.1.3 TI Precision Designs

TI Precision Designs は、<http://www.ti.com/ww/en/analog/precision-designs/> からオンラインで入手できます。TI Precision Designsは、TIの高精度アナログ・アプリケーションの専門家により作成されたアナログ・ソリューションで、多くの有用な回路に関して、動作理論、コンポーネント選択、シミュレーション、完全なPCB回路図とレイアウト、部品表、性能測定結果を提供します。

11.2 ドキュメントのサポート

11.2.1 関連資料

関連資料については、以下を参照してください。

- テキサス・インスツルメンツ、『[The PCB is a component of op amp design](#)』(英語)
- テキサス・インスツルメンツ、『[Compensate Transimpedance Amplifiers Intuitively](#)』(英語)
- テキサス・インスツルメンツ、『[Operational amplifier gain stability, Part 3: AC gain-error analysis](#)』(英語)
- テキサス・インスツルメンツ、『[Operational amplifier gain stability, Part 2: DC gain-error analysis](#)』(英語)
- テキサス・インスツルメンツ、『[Using infinite-gain, MFB filter topology in fully differential active filters](#)』(英語)
- テキサス・インスツルメンツ、『[OP AMP PERFORMANCE ANALYSIS](#)』(英語)
- テキサス・インスツルメンツ、『[SINGLE-SUPPLY OPERATION OF OPERATIONAL AMPLIFIERS](#)』(英語)
- テキサス・インスツルメンツ、『[TUNING IN AMPLIFIERS](#)』(英語)
- テキサス・インスツルメンツ、『[Shelf-Life Evaluation of Lead-Free Component Finishes](#)』(英語)
- テキサス・インスツルメンツ、『[Feedback Plots Define Op Amp AC Performance](#)』(英語)
- テキサス・インスツルメンツ、『[EMI Rejection Ratio of Operational Amplifiers](#)』(英語)

11.3 関連リンク

表 4 に、クイック・アクセス・リンクの一覧を示します。カテゴリには、技術資料、サポートおよびコミュニティ・リソース、ツールとソフトウェア、およびご注文へのクイック・アクセスが含まれます。

表 4. 関連リンク

製品	プロダクト・フォルダ	ご注文はこちら	技術資料	ツールとソフトウェア	サポートとコミュニティ
OPA202	ここをクリック	ここをクリック	ここをクリック	ここをクリック	ここをクリック
OPA2202	ここをクリック	ここをクリック	ここをクリック	ここをクリック	ここをクリック
OPA4202	ここをクリック	ここをクリック	ここをクリック	ここをクリック	ここをクリック

11.4 ドキュメントの更新通知を受け取る方法

ドキュメントの更新についての通知を受け取るには、ti.comのデバイス製品フォルダを開いてください。右上の「アラートを受け取る」をクリックして登録すると、変更されたすべての製品情報に関するダイジェストを毎週受け取れます。変更の詳細については、修正されたドキュメントに含まれている改訂履歴をご覧ください。

11.5 サポート・リソース

[TI E2E™ support forums](#) are an engineer's go-to source for fast, verified answers and design help — straight from the experts. Search existing answers or ask your own question to get the quick design help you need.

Linked content is provided "AS IS" by the respective contributors. They do not constitute TI specifications and do not necessarily reflect TI's views; see TI's [Terms of Use](#).

11.6 商標

E2E is a trademark of Texas Instruments.

TINA-TI is a trademark of Texas Instruments, Inc and DesignSoft, Inc.

WEBENCH is a registered trademark of Texas Instruments.

Bluetooth is a registered trademark of Bluetooth SIG, Inc.

TINA, DesignSoft are trademarks of DesignSoft, Inc.

All other trademarks are the property of their respective owners.

11.7 静電気放電に関する注意事項



すべての集積回路は、適切なESD保護方法を用いて、取扱いと保存を行うようにして下さい。

静電気放電はわずかな性能の低下から完全なデバイスの故障に至るまで、様々な損傷を与えます。高精度の集積回路は、損傷に対して敏感であり、極めてわずかなパラメータの変化により、デバイスに規定された仕様に適合しなくなる場合があります。

11.8 Glossary

[SLYZ022](#) — TI Glossary.

This glossary lists and explains terms, acronyms, and definitions.

12 メカニカル、パッケージ、および注文情報

以降のページには、メカニカル、パッケージ、および注文に関する情報が記載されています。この情報は、そのデバイスについて利用可能な最新のデータです。このデータは予告なく変更されることがあり、ドキュメントが改訂される場合もあります。本データシートのブラウザ版を使用されている場合は、画面左側の説明をご覧ください。

PACKAGING INFORMATION

Orderable Device	Status (1)	Package Type	Package Drawing	Pins	Package Qty	Eco Plan (2)	Lead finish/ Ball material (6)	MSL Peak Temp (3)	Op Temp (°C)	Device Marking (4/5)	Samples
OPA202ID	ACTIVE	SOIC	D	8	75	RoHS & Green	NIPDAU	Level-2-260C-1 YEAR	-40 to 120	OPA202	Samples
OPA202IDBVR	ACTIVE	SOT-23	DBV	5	3000	RoHS & Green	NIPDAU	Level-2-260C-1 YEAR	-40 to 120	1T72	Samples
OPA202IDBVT	ACTIVE	SOT-23	DBV	5	250	RoHS & Green	NIPDAU	Level-2-260C-1 YEAR	-40 to 120	1T72	Samples
OPA202IDGKR	ACTIVE	VSSOP	DGK	8	2500	RoHS & Green	NIPDAUAG SN	Level-2-260C-1 YEAR	-40 to 105	1T2Q	Samples
OPA202IDGKT	ACTIVE	VSSOP	DGK	8	250	RoHS & Green	NIPDAUAG SN	Level-2-260C-1 YEAR	-40 to 105	1T2Q	Samples
OPA202IDR	ACTIVE	SOIC	D	8	2500	RoHS & Green	NIPDAU	Level-2-260C-1 YEAR	-40 to 120	OPA202	Samples
OPA2202ID	ACTIVE	SOIC	D	8	75	RoHS & Green	NIPDAU	Level-2-260C-1 YEAR	-40 to 150	OP2202	Samples
OPA2202IDGKR	ACTIVE	VSSOP	DGK	8	2500	RoHS & Green	NIPDAUAG SN	Level-2-260C-1 YEAR	-40 to 120	1XDQ	Samples
OPA2202IDGKT	ACTIVE	VSSOP	DGK	8	250	RoHS & Green	NIPDAUAG SN	Level-2-260C-1 YEAR	-40 to 120	1XDQ	Samples
OPA2202IDR	ACTIVE	SOIC	D	8	2500	RoHS & Green	NIPDAU	Level-2-260C-1 YEAR	-40 to 150	OP2202	Samples
OPA4202ID	ACTIVE	SOIC	D	14	50	RoHS & Green	NIPDAU	Level-2-260C-1 YEAR	-40 to 125	OPA4202	Samples
OPA4202IDR	ACTIVE	SOIC	D	14	2500	RoHS & Green	NIPDAU	Level-2-260C-1 YEAR	-40 to 125	OPA4202	Samples
OPA4202IPW	ACTIVE	TSSOP	PW	14	90	RoHS & Green	NIPDAU	Level-2-260C-1 YEAR	-40 to 125	OPA4202	Samples
OPA4202IPWR	ACTIVE	TSSOP	PW	14	2000	RoHS & Green	NIPDAU	Level-2-260C-1 YEAR	-40 to 125	OPA4202	Samples

(1) The marketing status values are defined as follows:

ACTIVE: Product device recommended for new designs.

LIFEBUY: TI has announced that the device will be discontinued, and a lifetime-buy period is in effect.

NRND: Not recommended for new designs. Device is in production to support existing customers, but TI does not recommend using this part in a new design.

PREVIEW: Device has been announced but is not in production. Samples may or may not be available.

OBSELETE: TI has discontinued the production of the device.

(2) **RoHS:** TI defines "RoHS" to mean semiconductor products that are compliant with the current EU RoHS requirements for all 10 RoHS substances, including the requirement that RoHS substance do not exceed 0.1% by weight in homogeneous materials. Where designed to be soldered at high temperatures, "RoHS" products are suitable for use in specified lead-free processes. TI may reference these types of products as "Pb-Free".

RoHS Exempt: TI defines "RoHS Exempt" to mean products that contain lead but are compliant with EU RoHS pursuant to a specific EU RoHS exemption.

Green: TI defines "Green" to mean the content of Chlorine (Cl) and Bromine (Br) based flame retardants meet JS709B low halogen requirements of ≤ 1000 ppm threshold. Antimony trioxide based flame retardants must also meet the ≤ 1000 ppm threshold requirement.

(3) MSL, Peak Temp. - The Moisture Sensitivity Level rating according to the JEDEC industry standard classifications, and peak solder temperature.

(4) There may be additional marking, which relates to the logo, the lot trace code information, or the environmental category on the device.

(5) Multiple Device Markings will be inside parentheses. Only one Device Marking contained in parentheses and separated by a "~" will appear on a device. If a line is indented then it is a continuation of the previous line and the two combined represent the entire Device Marking for that device.

(6) Lead finish/Ball material - Orderable Devices may have multiple material finish options. Finish options are separated by a vertical ruled line. Lead finish/Ball material values may wrap to two lines if the finish value exceeds the maximum column width.

Important Information and Disclaimer: The information provided on this page represents TI's knowledge and belief as of the date that it is provided. TI bases its knowledge and belief on information provided by third parties, and makes no representation or warranty as to the accuracy of such information. Efforts are underway to better integrate information from third parties. TI has taken and continues to take reasonable steps to provide representative and accurate information but may not have conducted destructive testing or chemical analysis on incoming materials and chemicals. TI and TI suppliers consider certain information to be proprietary, and thus CAS numbers and other limited information may not be available for release.

In no event shall TI's liability arising out of such information exceed the total purchase price of the TI part(s) at issue in this document sold by TI to Customer on an annual basis.

TAPE AND REEL INFORMATION

QUADRANT ASSIGNMENTS FOR PIN 1 ORIENTATION IN TAPE


*All dimensions are nominal

Device	Package Type	Package Drawing	Pins	SPQ	Reel Diameter (mm)	Reel Width W1 (mm)	A0 (mm)	B0 (mm)	K0 (mm)	P1 (mm)	W (mm)	Pin1 Quadrant
OPA202IDBVR	SOT-23	DBV	5	3000	180.0	8.4	3.23	3.17	1.37	4.0	8.0	Q3
OPA202IDBVT	SOT-23	DBV	5	250	180.0	8.4	3.23	3.17	1.37	4.0	8.0	Q3
OPA202IDGKR	VSSOP	DGK	8	2500	330.0	12.4	5.25	3.35	1.25	8.0	12.0	Q1
OPA202IDGKT	VSSOP	DGK	8	250	330.0	12.4	5.25	3.35	1.25	8.0	12.0	Q1
OPA202IDR	SOIC	D	8	2500	330.0	12.4	6.4	5.2	2.1	8.0	12.0	Q1
OPA2202IDGKR	VSSOP	DGK	8	2500	330.0	12.4	5.25	3.35	1.25	8.0	12.0	Q1
OPA2202IDGKT	VSSOP	DGK	8	250	330.0	12.4	5.25	3.35	1.25	8.0	12.0	Q1
OPA2202IDR	SOIC	D	8	2500	330.0	12.4	6.4	5.2	2.1	8.0	12.0	Q1
OPA4202IDR	SOIC	D	14	2500	330.0	16.4	6.5	9.0	2.1	8.0	16.0	Q1
OPA4202IPWR	TSSOP	PW	14	2000	330.0	12.4	6.9	5.6	1.6	8.0	12.0	Q1

TAPE AND REEL BOX DIMENSIONS


*All dimensions are nominal

Device	Package Type	Package Drawing	Pins	SPQ	Length (mm)	Width (mm)	Height (mm)
OPA202IDBVR	SOT-23	DBV	5	3000	213.0	191.0	35.0
OPA202IDBVT	SOT-23	DBV	5	250	213.0	191.0	35.0
OPA202IDGKR	VSSOP	DGK	8	2500	366.0	364.0	50.0
OPA202IDGKT	VSSOP	DGK	8	250	366.0	364.0	50.0
OPA202IDR	SOIC	D	8	2500	356.0	356.0	35.0
OPA2202IDGKR	VSSOP	DGK	8	2500	366.0	364.0	50.0
OPA2202IDGKT	VSSOP	DGK	8	250	366.0	364.0	50.0
OPA2202IDR	SOIC	D	8	2500	356.0	356.0	35.0
OPA4202IDR	SOIC	D	14	2500	356.0	356.0	35.0
OPA4202IPWR	TSSOP	PW	14	2000	356.0	356.0	35.0

TUBE


*All dimensions are nominal

Device	Package Name	Package Type	Pins	SPQ	L (mm)	W (mm)	T (μm)	B (mm)
OPA202ID	D	SOIC	8	75	506.6	8	3940	4.32
OPA2202ID	D	SOIC	8	75	506.6	8	3940	4.32
OPA4202ID	D	SOIC	14	50	506.6	8	3940	4.32
OPA4202IPW	PW	TSSOP	14	90	530	10.2	3600	3.5

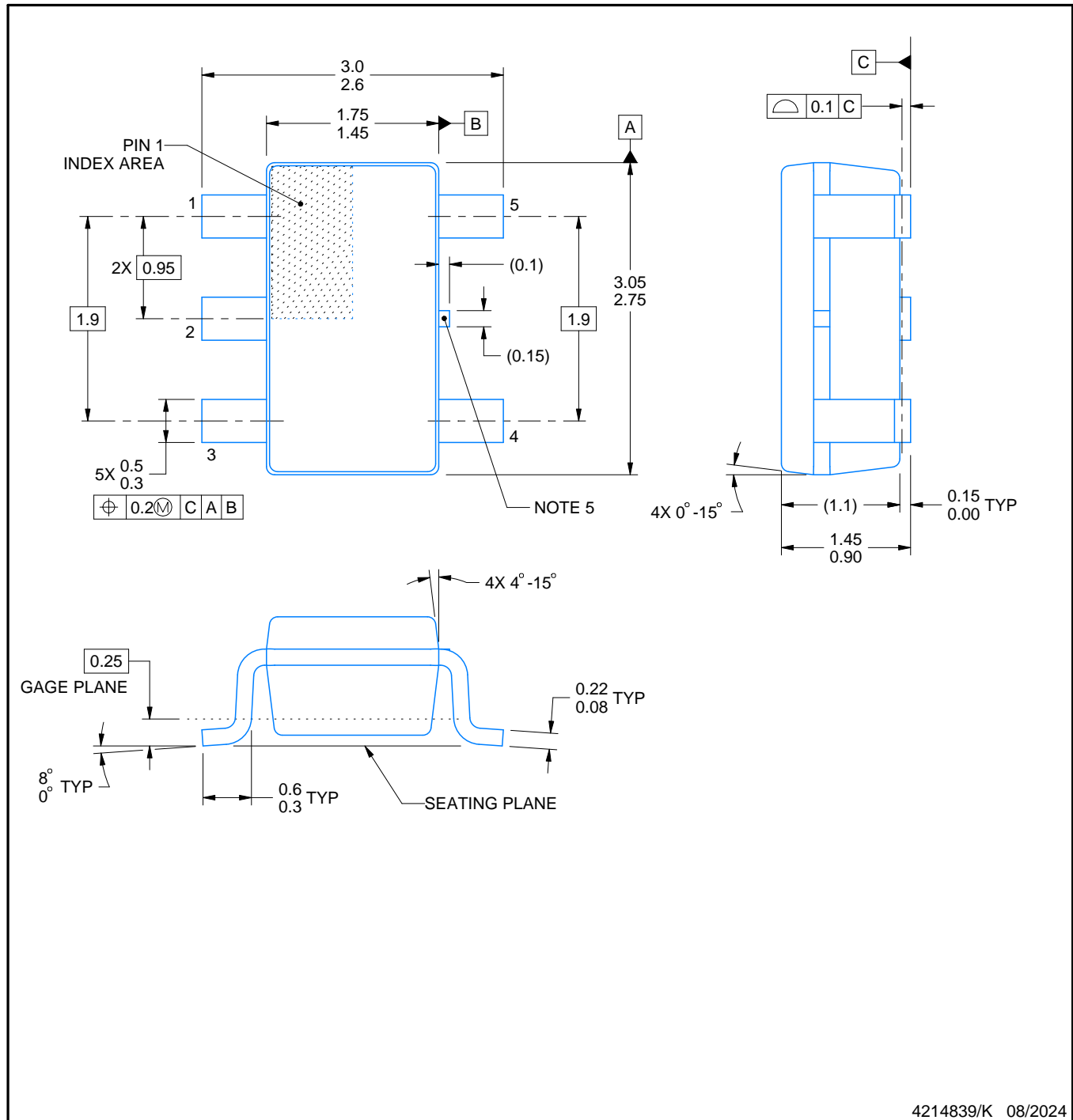
DBV0005A



PACKAGE OUTLINE

SOT-23 - 1.45 mm max height

SMALL OUTLINE TRANSISTOR



NOTES:

1. All linear dimensions are in millimeters. Any dimensions in parenthesis are for reference only. Dimensioning and tolerancing per ASME Y14.5M.
2. This drawing is subject to change without notice.
3. Reference JEDEC MO-178.
4. Body dimensions do not include mold flash, protrusions, or gate burrs. Mold flash, protrusions, or gate burrs shall not exceed 0.25 mm per side.
5. Support pin may differ or may not be present.

EXAMPLE BOARD LAYOUT

DBV0005A

SOT-23 - 1.45 mm max height

SMALL OUTLINE TRANSISTOR



LAND PATTERN EXAMPLE
EXPOSED METAL SHOWN
SCALE:15X



SOLDER MASK DETAILS

4214839/K 08/2024

NOTES: (continued)

- 6. Publication IPC-7351 may have alternate designs.
- 7. Solder mask tolerances between and around signal pads can vary based on board fabrication site.

EXAMPLE STENCIL DESIGN

DBV0005A

SOT-23 - 1.45 mm max height

SMALL OUTLINE TRANSISTOR



SOLDER PASTE EXAMPLE
BASED ON 0.125 mm THICK STENCIL
SCALE:15X

4214839/K 08/2024

NOTES: (continued)

8. Laser cutting apertures with trapezoidal walls and rounded corners may offer better paste release. IPC-7525 may have alternate design recommendations.
9. Board assembly site may have different recommendations for stencil design.

DGK0008A



PACKAGE OUTLINE

VSSOP - 1.1 mm max height

SMALL OUTLINE PACKAGE



NOTES:

PowerPAD is a trademark of Texas Instruments.

1. All linear dimensions are in millimeters. Any dimensions in parenthesis are for reference only. Dimensioning and tolerancing per ASME Y14.5M.
2. This drawing is subject to change without notice.
3. This dimension does not include mold flash, protrusions, or gate burrs. Mold flash, protrusions, or gate burrs shall not exceed 0.15 mm per side.
4. This dimension does not include interlead flash. Interlead flash shall not exceed 0.25 mm per side.
5. Reference JEDEC registration MO-187.

EXAMPLE BOARD LAYOUT

DGK0008A

™ VSSOP - 1.1 mm max height

SMALL OUTLINE PACKAGE



LAND PATTERN EXAMPLE
EXPOSED METAL SHOWN
SCALE: 15X



SOLDER MASK DETAILS

4214862/A 04/2023

NOTES: (continued)

6. Publication IPC-7351 may have alternate designs.
7. Solder mask tolerances between and around signal pads can vary based on board fabrication site.
8. Vias are optional depending on application, refer to device data sheet. If any vias are implemented, refer to their locations shown on this view. It is recommended that vias under paste be filled, plugged or tented.
9. Size of metal pad may vary due to creepage requirement.

EXAMPLE STENCIL DESIGN

DGK0008A

™ VSSOP - 1.1 mm max height

SMALL OUTLINE PACKAGE



SOLDER PASTE EXAMPLE
SCALE: 15X

4214862/A 04/2023

NOTES: (continued)

11. Laser cutting apertures with trapezoidal walls and rounded corners may offer better paste release. IPC-7525 may have alternate design recommendations.
12. Board assembly site may have different recommendations for stencil design.



D0014A

PACKAGE OUTLINE

SOIC - 1.75 mm max height

SMALL OUTLINE INTEGRATED CIRCUIT



4220718/A 09/2016

NOTES:

1. All linear dimensions are in millimeters. Dimensions in parenthesis are for reference only. Dimensioning and tolerancing per ASME Y14.5M.
2. This drawing is subject to change without notice.
3. This dimension does not include mold flash, protrusions, or gate burrs. Mold flash, protrusions, or gate burrs shall not exceed 0.15 mm, per side.
4. This dimension does not include interlead flash. Interlead flash shall not exceed 0.43 mm, per side.
5. Reference JEDEC registration MS-012, variation AB.

EXAMPLE BOARD LAYOUT

D0014A

SOIC - 1.75 mm max height

SMALL OUTLINE INTEGRATED CIRCUIT



LAND PATTERN EXAMPLE
SCALE:8X



SOLDER MASK DETAILS

4220718/A 09/2016

NOTES: (continued)

- 6. Publication IPC-7351 may have alternate designs.
- 7. Solder mask tolerances between and around signal pads can vary based on board fabrication site.

EXAMPLE STENCIL DESIGN

D0014A

SOIC - 1.75 mm max height

SMALL OUTLINE INTEGRATED CIRCUIT



SOLDER PASTE EXAMPLE
BASED ON 0.125 mm THICK STENCIL
SCALE:8X

4220718/A 09/2016

NOTES: (continued)

8. Laser cutting apertures with trapezoidal walls and rounded corners may offer better paste release. IPC-7525 may have alternate design recommendations.
9. Board assembly site may have different recommendations for stencil design.

PW0014A



PACKAGE OUTLINE
TSSOP - 1.2 mm max height

SMALL OUTLINE PACKAGE



4220202/B 12/2023

NOTES:

1. All linear dimensions are in millimeters. Any dimensions in parenthesis are for reference only. Dimensioning and tolerancing per ASME Y14.5M.
2. This drawing is subject to change without notice.
3. This dimension does not include mold flash, protrusions, or gate burrs. Mold flash, protrusions, or gate burrs shall not exceed 0.15 mm per side.
4. This dimension does not include interlead flash. Interlead flash shall not exceed 0.25 mm per side.
5. Reference JEDEC registration MO-153.

EXAMPLE BOARD LAYOUT

PW0014A

TSSOP - 1.2 mm max height

SMALL OUTLINE PACKAGE



LAND PATTERN EXAMPLE
EXPOSED METAL SHOWN
SCALE: 10X



4220202/B 12/2023

NOTES: (continued)

- 6. Publication IPC-7351 may have alternate designs.
- 7. Solder mask tolerances between and around signal pads can vary based on board fabrication site.

EXAMPLE STENCIL DESIGN

PW0014A

TSSOP - 1.2 mm max height

SMALL OUTLINE PACKAGE



SOLDER PASTE EXAMPLE
BASED ON 0.125 mm THICK STENCIL
SCALE: 10X

4220202/B 12/2023

NOTES: (continued)

8. Laser cutting apertures with trapezoidal walls and rounded corners may offer better paste release. IPC-7525 may have alternate design recommendations.
9. Board assembly site may have different recommendations for stencil design.



D0008A

PACKAGE OUTLINE

SOIC - 1.75 mm max height

SMALL OUTLINE INTEGRATED CIRCUIT



4214825/C 02/2019

NOTES:

- Linear dimensions are in inches [millimeters]. Dimensions in parenthesis are for reference only. Controlling dimensions are in inches. Dimensioning and tolerancing per ASME Y14.5M.
- This drawing is subject to change without notice.
- This dimension does not include mold flash, protrusions, or gate burrs. Mold flash, protrusions, or gate burrs shall not exceed $.006$ [0.15] per side.
- This dimension does not include interlead flash.
- Reference JEDEC registration MS-012, variation AA.

EXAMPLE BOARD LAYOUT

D0008A

SOIC - 1.75 mm max height

SMALL OUTLINE INTEGRATED CIRCUIT



LAND PATTERN EXAMPLE
 EXPOSED METAL SHOWN
 SCALE:8X



SOLDER MASK DETAILS

4214825/C 02/2019

NOTES: (continued)

- 6. Publication IPC-7351 may have alternate designs.
- 7. Solder mask tolerances between and around signal pads can vary based on board fabrication site.

EXAMPLE STENCIL DESIGN

D0008A

SOIC - 1.75 mm max height

SMALL OUTLINE INTEGRATED CIRCUIT



SOLDER PASTE EXAMPLE
BASED ON .005 INCH [0.125 MM] THICK STENCIL
SCALE:8X

4214825/C 02/2019

NOTES: (continued)

8. Laser cutting apertures with trapezoidal walls and rounded corners may offer better paste release. IPC-7525 may have alternate design recommendations.
9. Board assembly site may have different recommendations for stencil design.

重要なお知らせと免責事項

TI は、技術データと信頼性データ (データシートを含みます)、設計リソース (リファレンス・デザインを含みます)、アプリケーションや設計に関する各種アドバイス、Web ツール、安全性情報、その他のリソースを、欠陥が存在する可能性のある「現状のまま」提供しており、商品性および特定目的に対する適合性の黙示保証、第三者の知的財産権の非侵害保証を含むいかなる保証も、明示的または黙示的にかかわらず拒否します。

これらのリソースは、TI 製品を使用する設計の経験を積んだ開発者への提供を意図したものです。(1) お客様のアプリケーションに適した TI 製品の選定、(2) お客様のアプリケーションの設計、検証、試験、(3) お客様のアプリケーションに該当する各種規格や、その他のあらゆる安全性、セキュリティ、規制、または他の要件への確実な適合に関する責任を、お客様のみが単独で負うものとし、

上記の各種リソースは、予告なく変更される可能性があります。これらのリソースは、リソースで説明されている TI 製品を使用するアプリケーションの開発の目的でのみ、TI はその使用をお客様に許諾します。これらのリソースに関して、他の目的で複製することや掲載することは禁止されています。TI や第三者の知的財産権のライセンスが付与されている訳ではありません。お客様は、これらのリソースを自身で使用した結果発生するあらゆる申し立て、損害、費用、損失、責任について、TI およびその代理人を完全に補償するものとし、TI は一切の責任を拒否します。

TI の製品は、[TI の販売条件](#)、または [ti.com](#) やかかる TI 製品の関連資料などのいずれかを通じて提供する適用可能な条項の下で提供されています。TI がこれらのリソースを提供することは、適用される TI の保証または他の保証の放棄の拡大や変更を意味するものではありません。

お客様がいかなる追加条項または代替条項を提案した場合でも、TI はそれらに異議を唱え、拒否します。

郵送先住所 : Texas Instruments, Post Office Box 655303, Dallas, Texas 75265
Copyright © 2024, Texas Instruments Incorporated