

## OPAx241、OPAx251 単一電源、マイクロパワー オペアンプ

### 1 特長

- 5V 電源用に最適化された OPAx241 ファミリー
- $\pm 15V$  電源用に最適化された OPAx251 ファミリー
- マイクロパワー:  $I_Q = 25\mu A$
- 単一電源動作
- レールツーレール出力 (50mV 以内)
- 広い電源電圧範囲
  - シングル電源: 2.7V~36V
  - デュアル電源:  $\pm 1.35V \sim \pm 18V$
- 低いオフセット電圧:  $\pm 250\mu V$  (最大値)
- 大きい同相除去: 124dB
- 高いオープンループゲイン: 128dB
- シングル、デュアル、クワッド

### 2 アプリケーション

- バッテリー駆動機器
- 携帯機器
- 医療機器
- 試験用機器

### 3 概要

OPA241、OPA2241、OPA4241 (OPAx241)、および OPA251、OPA2251、OPA4251 (OPAx251) デバイスは、バッテリー駆動の携帯アプリケーション用に設計されています。これらのアンプは、非常に低い消費電力 ( $25\mu A$ ) に加え、低いオフセット電圧、レールツーレール出力スイング、高い同相除去、高い開ループゲインを特長としています。

OPAx241 シリーズは低電源電圧で動作するように最適化されており、OPAx251 シリーズは高電源用に最適化され

ています。どちらのシリーズにも、単一電源 (2.7V~36V) またはデュアル電源 ( $\pm 1.35V \sim \pm 18V$ ) を使用できます。入力同相電圧範囲は、負電源より 200mV 低い電圧まで拡張されており、単一電源アプリケーションに最適です。

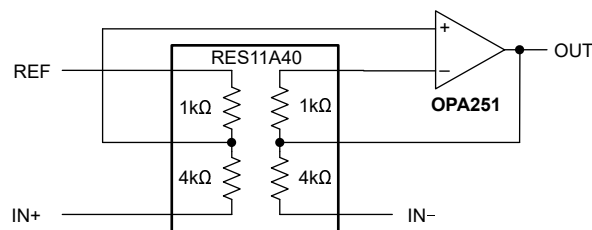
OPAx241 および OPAx251 は、ユニティゲイン安定で、大きな容量性負荷を駆動できます。設計上の特別な考慮事項により、これらの製品は使いやすくなっています。アンプが規定された制限までスイングしても、高い性能が維持されます。初期オフセット電圧 (最大  $\pm 250\mu V$ ) は非常に低いため、ユーザーによる調整は通常必要ありません。ただし、特殊なアプリケーション用に外部トリムピンが提供されています (シングルバージョンのみ)。

OPAx241 および OPAx251 は、 $-40^\circ C \sim +85^\circ C$  で仕様が規定されており、 $-55^\circ C \sim +125^\circ C$  で動作します。

#### 製品情報

部品番号	チャンネル	パッケージ <sup>(1)</sup>
OPA241	シングル	D (SOIC, 8)
		P (PDIP, 8)
OPA2241	デュアル	D (SOIC, 8)
		P (PDIP, 8)
OPA4241	クワッド	N (PDIP, 14)
		D (SOIC, 14)
OPA251	シングル	D (SOIC, 8)
OPA2251	デュアル	P (PDIP, 8)
		D (SOIC, 8)
OPA4251	クワッド	D (SOIC, 14)

(1) 詳細については、[セクション 9](#) を参照してください。



高同相モード、低電力差動アンプ

## Table of Contents

<b>1 特長</b> .....	<b>1</b>	<b>5.8 Typical Characteristics</b> .....	<b>11</b>
<b>2 アプリケーション</b> .....	<b>1</b>	<b>6 Application and Implementation</b> .....	<b>16</b>
<b>3 概要</b> .....	<b>1</b>	6.1 Applications Information.....	16
<b>4 Pin Configuration and Functions</b> .....	<b>3</b>	<b>7 Device and Documentation Support</b> .....	<b>19</b>
<b>5 Specifications</b> .....	<b>5</b>	7.1 ドキュメントの更新通知を受け取る方法.....	19
5.1 Absolute Maximum Ratings.....	5	7.2 サポート・リソース.....	19
5.2 Recommended Operating Conditions.....	5	7.3 Trademarks.....	19
5.3 Thermal Information for OPA241 and OPA251.....	6	7.4 静電気放電に関する注意事項.....	19
5.4 Thermal Information for OPA2241 and OPA2251.....	6	7.5 用語集.....	19
5.5 Thermal Information for OPA4241 and OPA4251.....	6	<b>8 Revision History</b> .....	<b>19</b>
5.6 Electrical Characteristics for $V_S = 2.7V$ to $5V$ .....	7	<b>9 Mechanical, Packaging, and Orderable Information</b> ..	<b>20</b>
5.7 Electrical Characteristics for $V_S = \pm 15V$ .....	9		

## 4 Pin Configuration and Functions

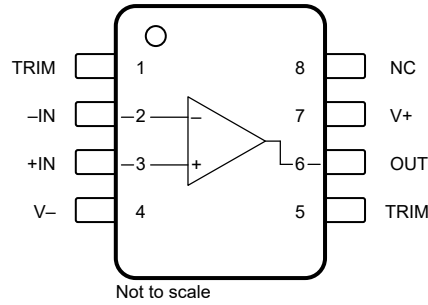


図 4-1. OPA241 and OPA251: D Package, 8-Pin SOIC and P Package, 8-Pin PDIP (Top View)

表 4-1. Pin Functions: OPA241 and OPA251

PIN		TYPE	DESCRIPTION
NAME	NO.		
+IN	3	Input	Noninverting input
-IN	2	Input	Inverting input
NC	8	—	No internal connection (can be left floating)
OUT	6	Output	Output
TRIM	1, 5	—	External offset voltage adjustment. See <a href="#">セクション 6.1.2.</a>
V+	7	Power	Positive (highest) power supply
V-	4	Power	Negative (lowest) power supply

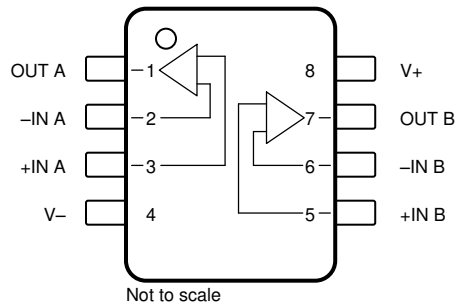


図 4-2. OPA2241 and OPA2251: D Package, 8-Pin SOIC, and P Package, 8-Pin PDIP (Top View)

表 4-2. Pin Functions: OPA2241 and OPA2251

PIN		TYPE	DESCRIPTION
NAME	NO.		
+IN A	3	Input	Noninverting input, channel A
+IN B	5	Input	Noninverting input, channel B
-IN A	2	Input	Inverting input, channel A
-IN B	6	Input	Inverting input, channel B
OUT A	1	Output	Output, channel A
OUT B	7	Output	Output, channel B
V+	8	Power	Positive (highest) power supply
V-	4	Power	Negative (lowest) power supply

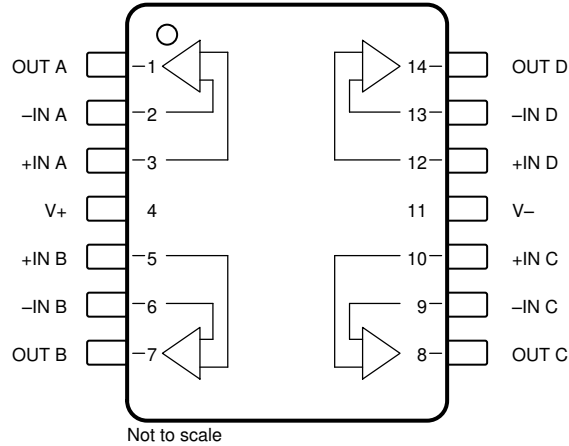


図 4-3. OPA4241 and OPA4251: D Package, 14-Pin SOIC (Top View)

Pin Functions: OPA4241 and OPA4251

PIN		TYPE	DESCRIPTION
NAME	NO.		
+IN A	3	Input	Noninverting input, channel A
+IN B	5	Input	Noninverting input, channel B
+IN C	10	Input	Noninverting input, channel C
+IN D	12	Input	Noninverting input, channel D
-IN A	2	Input	Inverting input, channel A
-IN B	6	Input	Inverting input, channel B
-IN C	9	Input	Inverting input, channel C
-IN D	13	Input	Inverting input, channel D
OUT A	1	Output	Output, channel A
OUT B	7	Output	Output, channel B
OUT C	8	Output	Output, channel C
OUT D	14	Output	Output, channel D
V+	4	Power	Positive (highest) power supply
V-	11	Power	Negative (lowest) power supply

## 5 Specifications

### 5.1 Absolute Maximum Ratings

over operating free-air temperature range (unless otherwise noted)<sup>(1)</sup>

			MIN	MAX	UNIT
V <sub>S</sub>	Supply voltage, V <sub>S</sub> = (V+) – (V–)	Single supply		36	V
		Dual supply		±18	
	Signal input pin voltage	Common-mode <sup>(2)</sup>	(V–) – 0.5	(V+) + 0.5	V
		Differential <sup>(3)</sup>		±0.5	
	Output short-circuit <sup>(4)</sup>		Continuous		
T <sub>A</sub>	Operating temperature		–55	125	°C
T <sub>J</sub>	Junction temperature			150	°C
T <sub>stg</sub>	Storage temperature		–55	125	°C
	Lead temperature (soldering, 10s)			300	°C

- (1) Operation outside the *Absolute Maximum Ratings* may cause permanent device damage. *Absolute Maximum Ratings* do not imply functional operation of the device at these or any other conditions beyond those listed under *Recommended Operating Conditions*. If used outside the *Recommended Operating Conditions* but within the *Absolute Maximum Ratings*, the device may not be fully functional, and this may affect device reliability, functionality, performance, and shorten the device lifetime.
- (2) Input terminals are diode-clamped to the power supply rails. Current-limit input signals that can swing more than 0.5V beyond the supply rails to 5mA or less.
- (3) Input terminals are anti-parallel diode-clamped to each other. Current-limit input signals that cause differential voltage swings of more than ±0.5V to 5mA or less.
- (4) Short-circuit to ground, one amplifier per package.

### 5.2 Recommended Operating Conditions

over operating free-air temperature range (unless otherwise noted)

			MIN	NOM	MAX	UNIT
V <sub>S</sub>	Supply voltage, V <sub>S</sub> = (V+) – (V–)	Single supply	2.7	30	36	V
		Dual supply	±1.35	±15	±18	
T <sub>A</sub>	Operating temperature		–40		+85	°C

### 5.3 Thermal Information for OPA241 and OPA251

THERMAL METRIC <sup>(1)</sup>		OPA241 AND OPA251		UNIT
		D (SOIC)	P (PDIP)	
		8 PINS	8 PINS	
R <sub>θJA</sub>	Junction-to-ambient thermal resistance	150	100	°C/W
R <sub>θJC(top)</sub>	Junction-to-case (top) thermal resistance	67.6	N/A	°C/W
R <sub>θJB</sub>	Junction-to-board thermal resistance	75.4	N/A	°C/W
ψ <sub>JT</sub>	Junction-to-top characterization parameter	15.1	N/A	°C/W
ψ <sub>JB</sub>	Junction-to-board characterization parameter	74.2	N/A	°C/W
R <sub>θJC(bot)</sub>	Junction-to-case (bottom) thermal resistance	N/A	N/A	°C/W

(1) For more information about traditional and new thermal metrics, see the [Semiconductor and IC Package Thermal Metrics](#) application report.

### 5.4 Thermal Information for OPA2241 and OPA2251

THERMAL METRIC <sup>(1)</sup>		OPA2241 AND OPA2251		UNIT
		D (SOIC)	P (PDIP)	
		8 PINS	8 PINS	
R <sub>θJA</sub>	Junction-to-ambient thermal resistance	150	100	°C/W
R <sub>θJC(top)</sub>	Junction-to-case (top) thermal resistance	61.0	N/A	°C/W
R <sub>θJB</sub>	Junction-to-board thermal resistance	68.3	N/A	°C/W
ψ <sub>JT</sub>	Junction-to-top characterization parameter	10.8	N/A	°C/W
ψ <sub>JB</sub>	Junction-to-board characterization parameter	67.4	N/A	°C/W
R <sub>θJC(bot)</sub>	Junction-to-case (bottom) thermal resistance	N/A	N/A	°C/W

(1) For more information about traditional and new thermal metrics, see the [Semiconductor and IC Package Thermal Metrics](#) application report.

### 5.5 Thermal Information for OPA4241 and OPA4251

THERMAL METRIC <sup>(1)</sup>		OPA4241 AND OPA4251		UNIT
		D (SOIC)	P (PDIP)	
		14 PINS	14 PINS	
R <sub>θJA</sub>	Junction-to-ambient thermal resistance	100	80	°C/W
R <sub>θJC(top)</sub>	Junction-to-case (top) thermal resistance	N/A	N/A	°C/W
R <sub>θJB</sub>	Junction-to-board thermal resistance	N/A	N/A	°C/W
ψ <sub>JT</sub>	Junction-to-top characterization parameter	N/A	N/A	°C/W
ψ <sub>JB</sub>	Junction-to-board characterization parameter	N/A	N/A	°C/W
R <sub>θJC(bot)</sub>	Junction-to-case (bottom) thermal resistance	N/A	N/A	°C/W

(1) For more information about traditional and new thermal metrics, see the [Semiconductor and IC Package Thermal Metrics](#) application report.

## 5.6 Electrical Characteristics for $V_S = 2.7V$ to $5V$

at  $T_A = 25^\circ C$ ,  $V_{CM} = V_{OUT} = \text{midsupply}$ , and  $R_L = 100k\Omega$  connected to  $V_S / 2$  (unless otherwise noted)

PARAMETER		TEST CONDITIONS		MIN	TYP	MAX	UNIT
<b>OFFSET VOLTAGE</b>							
$V_{OS}$	Input offset voltage	OPAx241			$\pm 50$	$\pm 250$	$\mu V$
			$T_A = -40^\circ C$ to $+85^\circ C$		$\pm 100$	$\pm 400$	
		OPAx251			$\pm 100$		
			$T_A = -40^\circ C$ to $+85^\circ C$		$\pm 130$		
$dV_{OS}/dT$	Input offset voltage drift	$T_A = -40^\circ C$ to $+85^\circ C$	OPAx241		$\pm 0.4$		$\mu V/^\circ C$
			OPAx251		$\pm 0.6$		
PSRR	Power supply rejection ratio	$V_S = 2.7V$ to $36V$			$\pm 3$	$\pm 30$	$\mu V/V$
			$T_A = -40^\circ C$ to $+85^\circ C$				
	Channel separation, (dual, quad)				0.3		$\mu V/V$
<b>INPUT BIAS CURRENT</b>							
$I_B$	Input bias current <sup>(1)</sup>				-4	-20	nA
		$T_A = -40^\circ C$ to $+85^\circ C$				-25	
$I_{OS}$	Input offset current				$\pm 0.1$	$\pm 2$	nA
		$T_A = -40^\circ C$ to $+85^\circ C$				$\pm 2$	
<b>NOISE</b>							
	Input voltage noise	$f = 0.1Hz$ to $10Hz$			1.7		$\mu V_{PP}$
$e_n$	Input voltage noise density	$f = 1kHz$			65		$nV/\sqrt{Hz}$
$i_n$	Input current noise density	$f = 1kHz$			40		$fA/\sqrt{Hz}$
<b>INPUT VOLTAGE</b>							
$V_{CM}$	Common-mode voltage			-0.2		(V+) - 0.8	V
CMRR	Common-mode rejection ratio	$-0.2V < V_{CM} < (V+) - 0.8V$		80	106		dB
		$0V < V_{CM} < (V+) - 0.8V$ , $T_A = -40^\circ C$ to $+85^\circ C$		80			
<b>INPUT IMPEDANCE</b>							
$Z_{IN}$	Input impedance	Differential			$10 \parallel 3.75$		$M\Omega \parallel pF$
		Common-mode			$1 \parallel 4$		$G\Omega \parallel pF$
<b>OPEN-LOOP GAIN</b>							
$A_{OL}$	Open-loop voltage gain	$(V-) + 100mV < V_O < (V+) - 100mV$			100	120	dB
			$T_A = -40^\circ C$ to $+125^\circ C$			100	
		$(V-) + 200mV < V_O < (V+) - 200mV$ , $R_L = 10k\Omega$			100	120	
			$T_A = -40^\circ C$ to $+125^\circ C$		100		
<b>FREQUENCY RESPONSE</b>							
GBW	Gain-bandwidth product				35		kHz
SR	Slew rate	$V_S = 5V$ , $G = 1V/V$			0.01		$V/\mu s$
	Overload recovery time	$V_S = V_{IN} \times G$			80		$\mu s$

## 5.6 Electrical Characteristics for $V_S = 2.7V$ to $5V$ (続き)

at  $T_A = 25^\circ C$ ,  $V_{CM} = V_{OUT} = \text{mid supply}$ , and  $R_L = 100k\Omega$  connected to  $V_S / 2$  (unless otherwise noted)

PARAMETER	TEST CONDITIONS		MIN	TYP	MAX	UNIT	
<b>OUTPUT</b>							
Voltage output swing from rail <sup>(2)</sup>	$A_{OL} > 70dB$			50		mV	
				75	100		
	$A_{OL} > 100dB$	$T_A = -40^\circ C$ to $+85^\circ C$			100		
				100	200		
$A_{OL} > 100dB, R_L = 10k\Omega,$	$T_A = -40^\circ C$ to $+85^\circ C$			100	200		
					200		
$I_{SC}$	Short-circuit current	Source, $V_S = 5V$	Single	4		mA	
			Dual and Quad	4			
	Sink, $V_S = 5V$	Single	-24				
		Dual and Quad	-24				
$C_{LOAD}$	Capacitive load drive		See <i>Typical Characteristics</i>				
<b>POWER SUPPLY</b>							
$I_Q$	Quiescent current per amplifier	$I_O = 0mA$		$\pm 25$	$\pm 30$	$\mu A$	
			$T_A = -40^\circ C$ to $+85^\circ C$				$\pm 36$

- (1) The negative sign indicates input bias current flows out of the input terminals.
- (2) Output voltage swings are measured between the output and power supply rails.



## 5.7 Electrical Characteristics for $V_S = \pm 15V$

at  $T_A = 25^\circ C$ ,  $V_{CM} = V_{OUT} = \text{midsupply}$ , and  $R_L = 100k\Omega$  connected to  $V_S / 2$  (unless otherwise noted)

PARAMETER		TEST CONDITIONS		MIN	TYP	MAX	UNIT	
<b>OFFSET VOLTAGE</b>								
$V_{OS}$	Input offset voltage	OPAx241			$\pm 100$		$\mu V$	
			$T_A = -40^\circ C \text{ to } +85^\circ C$		$\pm 150$			
		OPAx251			$\pm 50$	$\pm 250$		
			$T_A = -40^\circ C \text{ to } +85^\circ C$		$\pm 100$	$\pm 300$		
$dV_{OS}/dT$	Input offset voltage drift	$T_A = -40^\circ C \text{ to } +85^\circ C$	OPAx241		$\pm 0.6$		$\mu V/^\circ C$	
			OPAx251		$\pm 0.5$			
PSRR	Power supply rejection ratio	$V_S = 2.7V \text{ to } 36V$			$\pm 3$	$\pm 30$	$\mu V/V$	
			$T_A = -40^\circ C \text{ to } +85^\circ C$					$\pm 30$
	Channel separation, (dual, quad)				0.3		$\mu V/V$	
<b>INPUT BIAS CURRENT</b>								
$I_B$	Input bias current <sup>(1)</sup>				-4	-20	nA	
		$T_A = -40^\circ C \text{ to } +85^\circ C$				-25		
$I_{OS}$	Input offset current				$\pm 0.1$	$\pm 2$	nA	
		$T_A = -40^\circ C \text{ to } +85^\circ C$						$\pm 2$
<b>NOISE</b>								
	Input voltage noise	$f = 0.1Hz \text{ to } 10Hz$			1.7		$\mu V_{PP}$	
$e_n$	Input voltage noise density	$f = 1kHz$			65		$nV/\sqrt{Hz}$	
$i_n$	Input current noise density	$f = 1kHz$			40		$fA/\sqrt{Hz}$	
<b>INPUT VOLTAGE</b>								
$V_{CM}$	Common-mode voltage			$(V-) - 0.2$		$(V+) - 0.8$	V	
CMRR	Common-mode rejection ratio	$-15.2V < V_{CM} < (V+) - 14.2V$		100	124		dB	
		$-15V < V_{CM} < (V+) - 14.2V$	$T_A = -40^\circ C \text{ to } +85^\circ C$	100				
<b>INPUT IMPEDANCE</b>								
$Z_{IN}$	Input impedance	Differential			$10 \parallel 3.75$		$M\Omega \parallel pF$	
		Common-mode			$1 \parallel 4$		$G\Omega \parallel pF$	
<b>OPEN-LOOP GAIN</b>								
$A_{OL}$	Open-loop voltage gain	$(V-) + 250mV < V_O < (V+) - 250mV$			100	128	dB	
				$T_A = -40^\circ C \text{ to } +85^\circ C$	100			
		$(V-) + 300mV < V_O < (V+) - 300mV$ , $R_L = 20k\Omega$			100	128		
				$T_A = -40^\circ C \text{ to } +85^\circ C$	100			
<b>FREQUENCY RESPONSE</b>								
GBW	Gain-bandwidth product				30		kHz	
SR	Slew rate	$V_S = 5V$ , $G = 1V/V$			0.01		$V/\mu s$	
	Overload recovery time	$V_S = V_{IN} \times G$			75		$\mu s$	

## 5.7 Electrical Characteristics for $V_S = \pm 15V$ (続き)

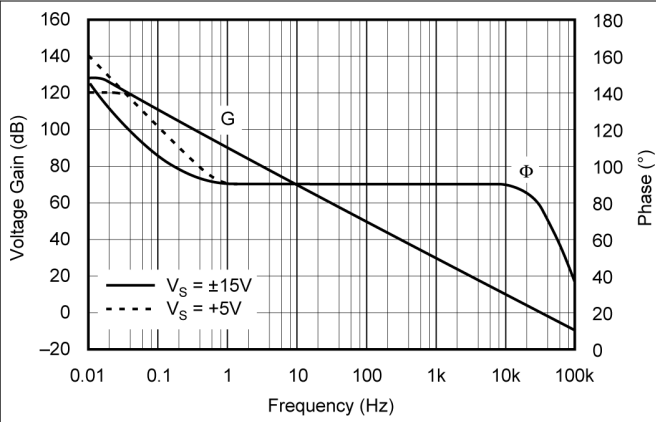
at  $T_A = 25^\circ C$ ,  $V_{CM} = V_{OUT} = \text{mid supply}$ , and  $R_L = 100k\Omega$  connected to  $V_S / 2$  (unless otherwise noted)

PARAMETER		TEST CONDITIONS		MIN	TYP	MAX	UNIT
<b>OUTPUT</b>							
	Voltage output swing from rail <sup>(2)</sup>	$A_{OL} > 100dB$		50			mV
		$A_{OL} > 100dB$	$T_A = -40^\circ C \text{ to } +85^\circ C$	75		250	
				250			
		$A_{OL} > 100dB, R_L = 20k\Omega,$	$T_A = -40^\circ C \text{ to } +85^\circ C$	100		300	
300							
$I_{SC}$	Short-circuit current	Source	Single	4			mA
			Dual	4			
		Sink	Single	-21			
			Dual	-27			
$C_{LOAD}$	Capacitive load drive			See <i>Typical Characteristics</i>			
<b>POWER SUPPLY</b>							
$I_Q$	Quiescent current per amplifier	$I_O = 0mA$		$\pm 27$		$\pm 38$	$\mu A$
			$T_A = -40^\circ C \text{ to } +85^\circ C$			$\pm 45$	

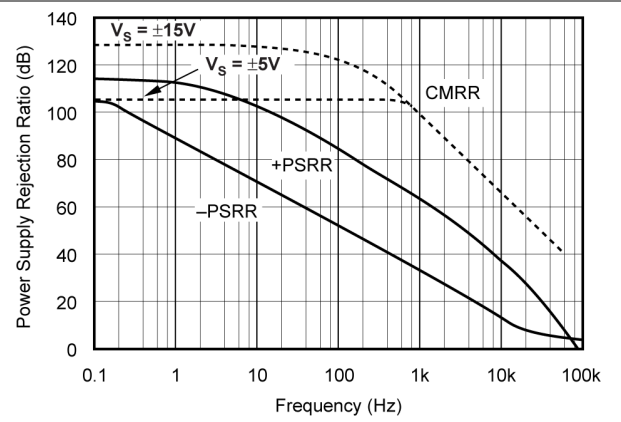
- (1) The negative sign indicates input bias current flows out of the input terminals.  
 (2) Output voltage swings are measured between the output and power supply rails.

### 5.8 Typical Characteristics

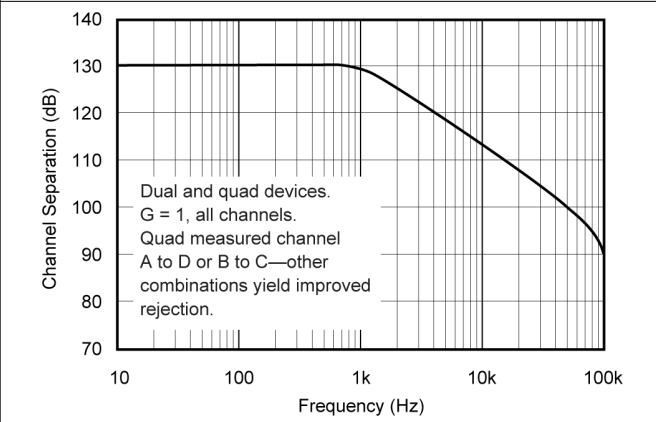
at  $T_A = +25^\circ\text{C}$ ,  $R_L = 100\text{k}\Omega$  connected to  $V_S/2$  (ground for  $V_S = \pm 15\text{V}$ ), and curves apply to OPA241 and OPA251 (unless otherwise specified)



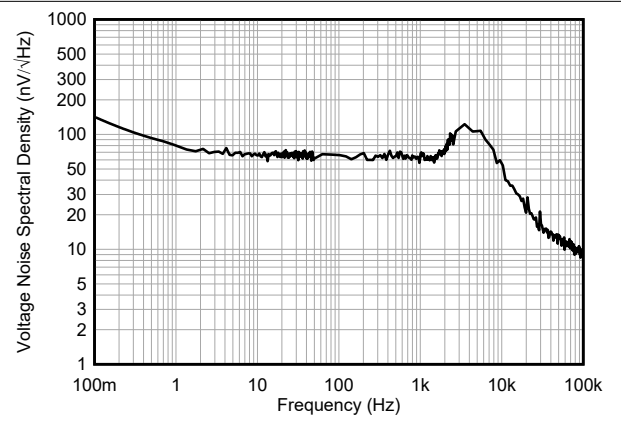
**图 5-1. Open-Loop Gain and Phase vs Frequency**



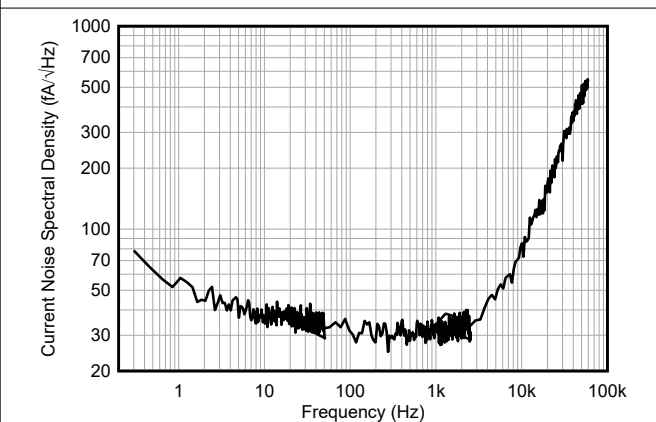
**图 5-2. Power Supply and Common-mode Rejection Ratio vs Frequency**



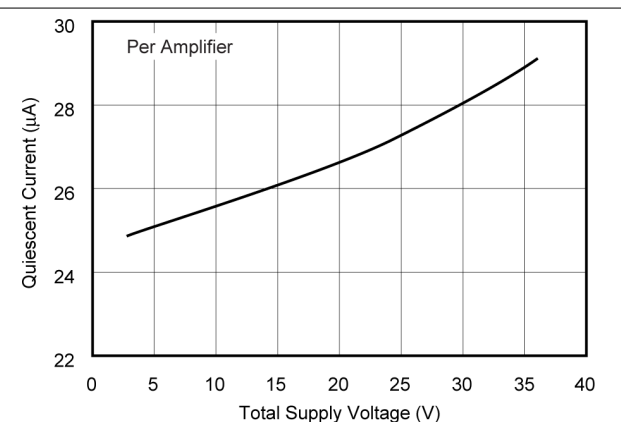
**图 5-3. Channel Separation vs Frequency**



**图 5-4. Input Voltage Noise Spectral Density vs Frequency**



**图 5-5. Input Current Noise Spectral Density vs Frequency**



**图 5-6. Quiescent Current vs Supply Voltage**

### 5.8 Typical Characteristics (continued)

at  $T_A = +25^\circ\text{C}$ ,  $R_L = 100\text{k}\Omega$  connected to  $V_S/2$  (ground for  $V_S = \pm 15\text{V}$ ), and curves apply to OPA241 and OPA251 (unless otherwise specified)

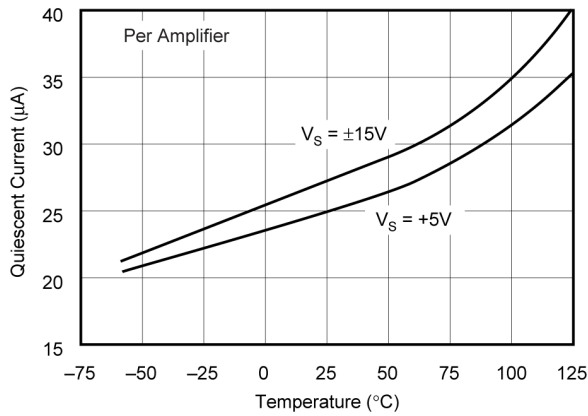


Figure 5-7. Quiescent Current vs Temperature

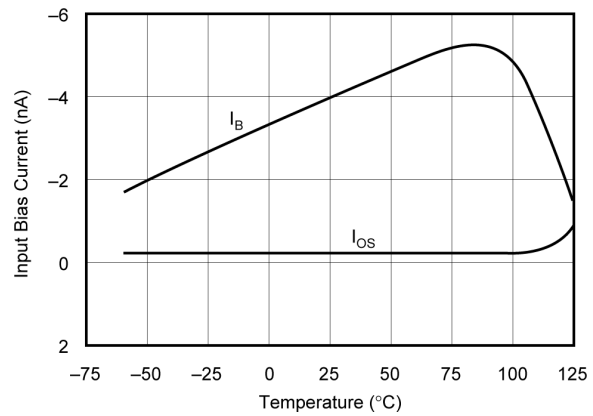


Figure 5-8. Input Bias Current vs Temperature

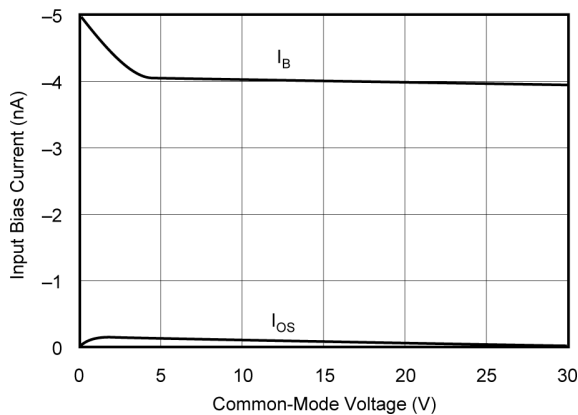


Figure 5-9. Input Bias Current vs Input Common-mode Voltage

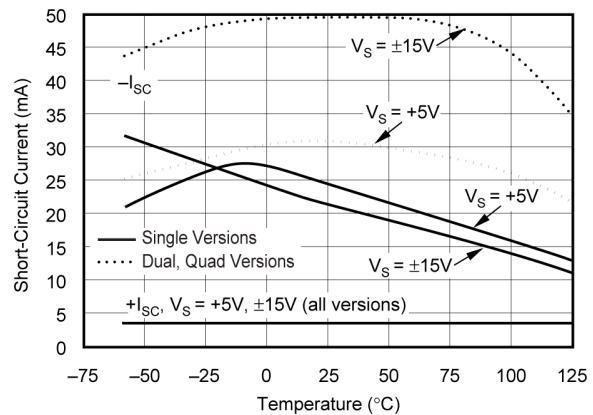


Figure 5-10. Short-circuit Current vs Temperature

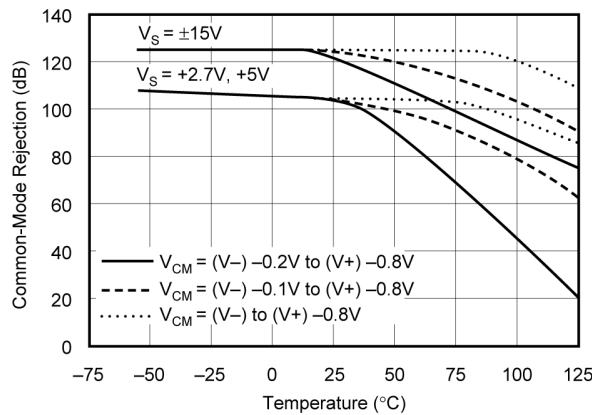


Figure 5-11. Common-mode Rejection vs Temperature

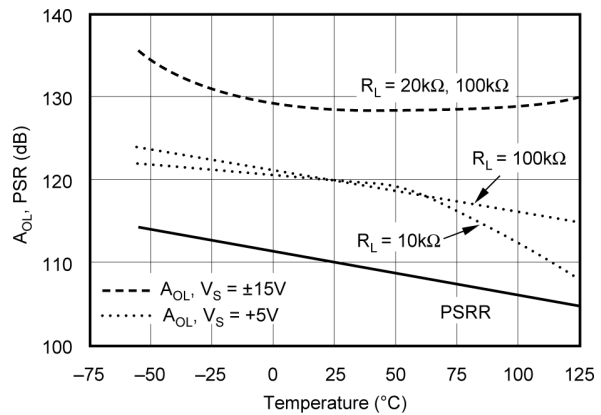
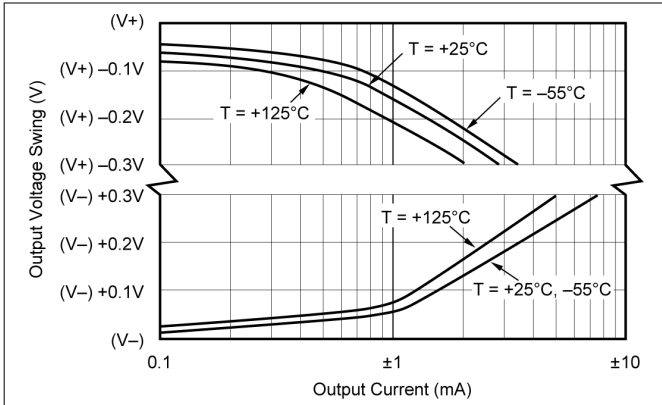


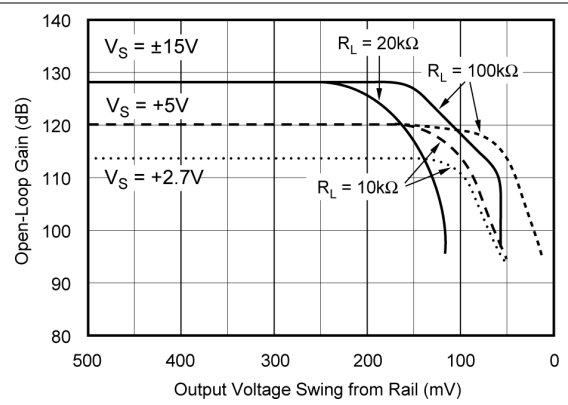
Figure 5-12. Open-loop Gain and Power Supply Rejection vs Temperature

### 5.8 Typical Characteristics (continued)

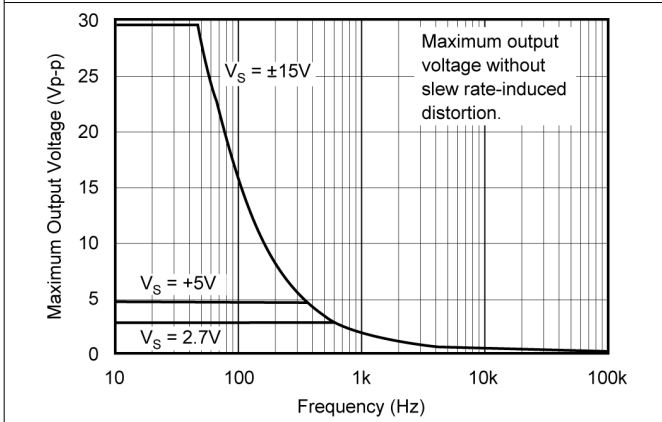
at  $T_A = +25^\circ\text{C}$ ,  $R_L = 100\text{k}\Omega$  connected to  $V_S/2$  (ground for  $V_S = \pm 15\text{V}$ ), and curves apply to OPA241 and OPA251 (unless otherwise specified)



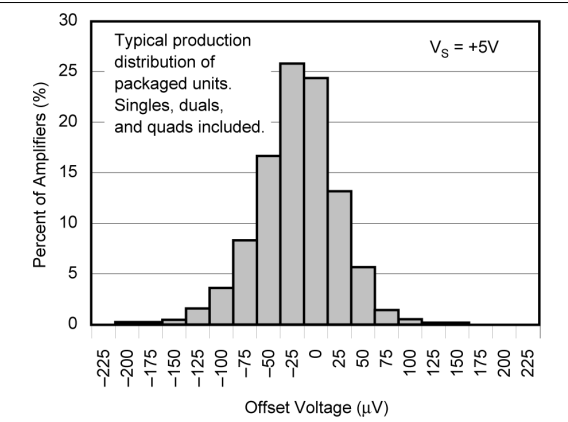
5-13. Output Voltage Swing vs Output Current



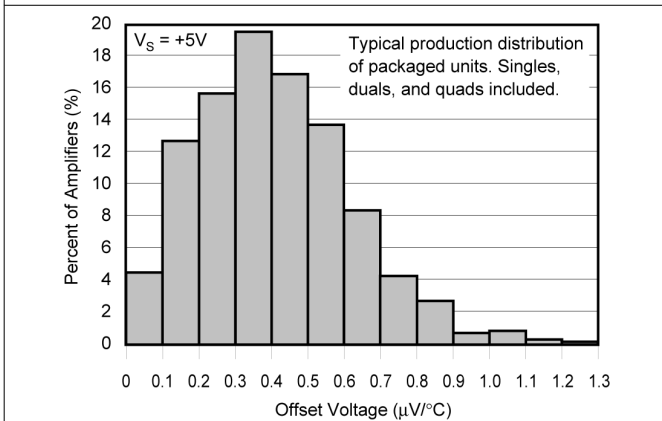
5-14. Open-loop Gain vs Output Voltage Swing



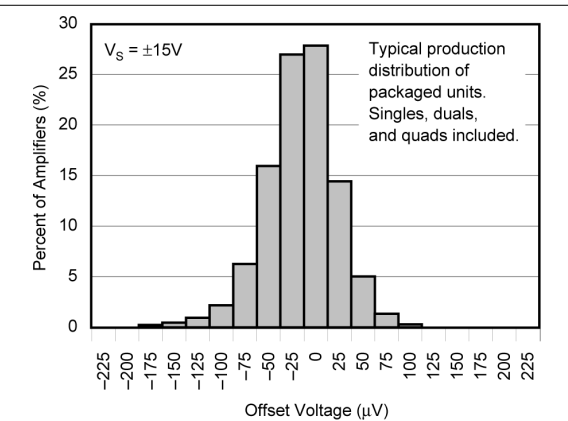
5-15. Maximum Output Voltage vs Frequency



5-16. OPA241 Series Offset Voltage Production Distribution



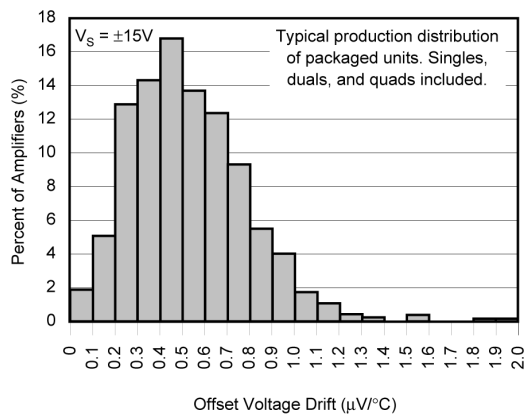
5-17. OPA241 Series Offset Voltage Drift Production Distribution



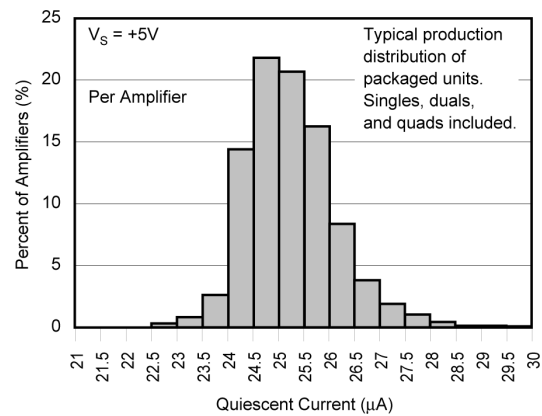
5-18. OPA251 Series Offset Voltage Production Distribution

## 5.8 Typical Characteristics (continued)

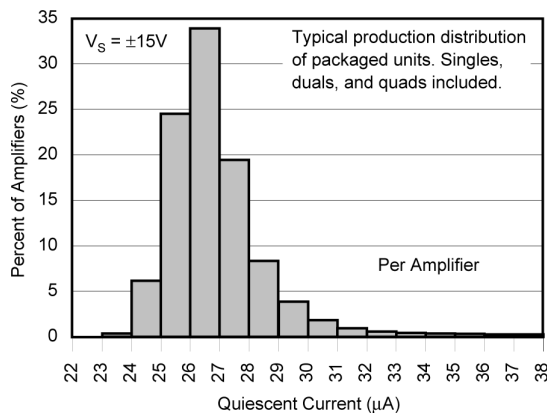
at  $T_A = +25^\circ\text{C}$ ,  $R_L = 100\text{k}\Omega$  connected to  $V_S/2$  (ground for  $V_S = \pm 15\text{V}$ ), and curves apply to OPA241 and OPA251 (unless otherwise specified)



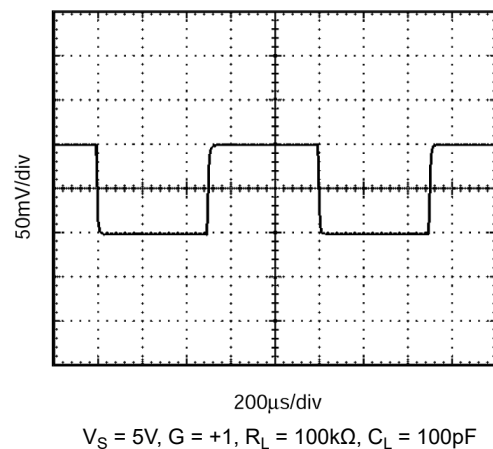
**图 5-19. OPA251 Series Offset Voltage Drift Production Distribution**



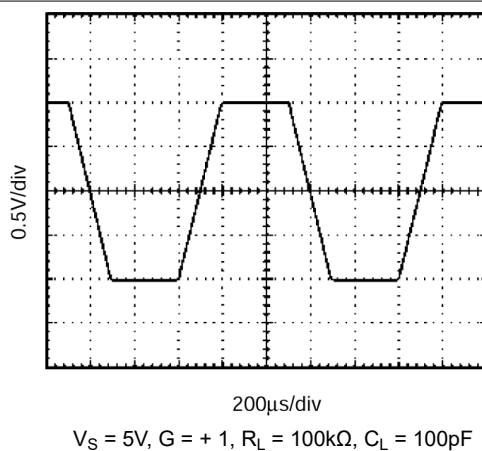
**图 5-20. Quiescent Current Product Distribution**



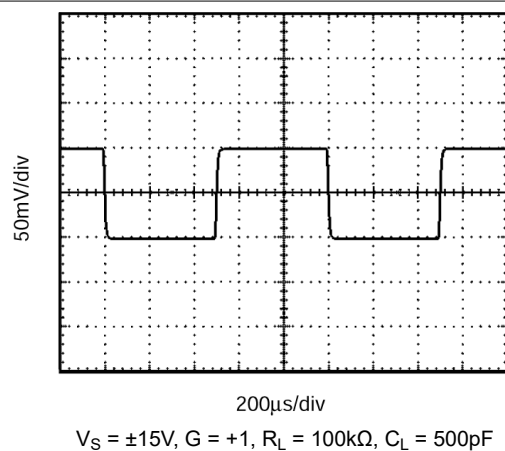
**图 5-21. Quiescent Current Production Distribution**



**图 5-22. OPA241 Small-Signal Step Response**



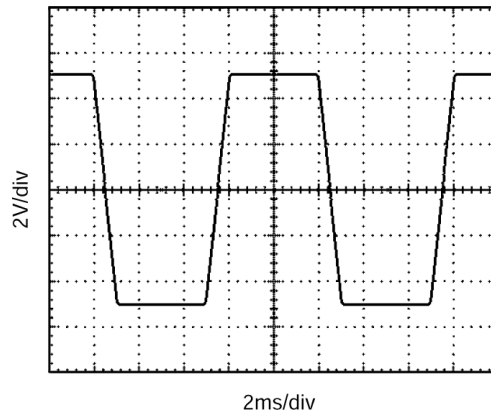
**图 5-23. OPA241 Large-Signal Step Response**



**图 5-24. OPA251 Small-Signal Step Response**

## 5.8 Typical Characteristics (continued)

at  $T_A = +25^\circ\text{C}$ ,  $R_L = 100\text{k}\Omega$  connected to  $V_S/2$  (ground for  $V_S = \pm 15\text{V}$ ), and curves apply to OPA241 and OPA251 (unless otherwise specified)



$V_S = \pm 15\text{V}$ ,  $G = +1$ ,  $R_L = 100\text{k}\Omega$ ,  $C_L = 500\text{pF}$

图 5-25. OPA251 Large-Signal Step Response

## 6 Application and Implementation

### 注

以下のアプリケーション情報は、TI の製品仕様に含まれるものではなく、TI ではその正確性または完全性を保証いたしません。個々の目的に対する製品の適合性については、お客様の責任で判断していただくこととなります。お客様は自身の設計実装を検証しテストすることで、システムの機能を確認する必要があります。

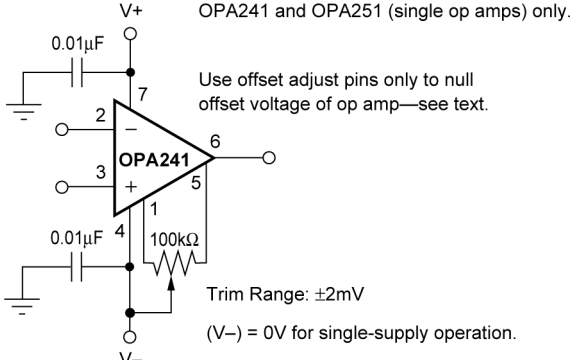
### 6.1 Applications Information

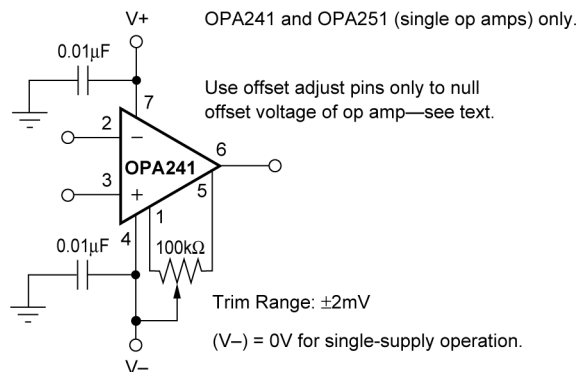
The OPAx241 and OPAx251 series are unity-gain stable and designed for a wide range of general-purpose applications. Bypass power-supply pins with 0.01µF ceramic capacitors.

#### 6.1.1 Operating Voltage

The OPAx241 series is laser-trimmed for low offset voltage and drift at a low supply voltage ( $V_S = 5V$ ). The OPAx251 series is trimmed for ±15V operation. Both series operate over the full voltage range (2.7V to 36V or ±1.35V to ±18V) with some compromises in offset voltage and drift performance. However, all other parameters have similar performance. Key parameters are production tested over the specified temperature range of -40°C to +85°C. Most behavior remains unchanged throughout the full operating voltage range. The typical characteristics curves show parameters that vary significantly with operating voltage or temperature.

#### 6.1.2 Offset Voltage Trim

As previously mentioned, the OPAx241 series offset voltage is laser-trimmed at 5V. The OPAx251 series is trimmed at ±15V. The initial offset is so low that user adjustment is usually not required. However, the OPA241 and OPA251 (single op-amp versions) provide offset voltage trim connections on pins 1 and 5.  shows how the offset voltage can be adjusted by connecting a potentiometer. Only use this adjustment to null the offset of the op amp, not to adjust system offset or offset produced by the signal source. Nulling offset can degrade the offset drift behavior of the op amp. While predicting the exact change in drift is not possible, the effect is usually small.



 6-1. OPA241 and OPA251 Offset Voltage Trim Circuit

#### 6.1.3 Capacitive Load and Stability

The OPAx241 series and OPAx251 series can drive a wide range of capacitive loads. However, all op amps under certain conditions can be unstable. Op amp configuration, gain, and load value are just a few of the factors to consider when determining stability.



 6-2 and  6-3 show the regions where the OPAx241 series and OPAx251 series have the potential for instability. As shown, the unity gain configuration with low supplies is the most susceptible to the effects of capacitive load. With  $V_S = 5V$ ,  $G = 1$ , and  $I_{OUT} = 0$ , operation remains stable with load capacitance up to approximately 200pF. Increasing a combination of supply voltage, output current, and gain significantly improves capacitive load drive. For example, increasing the supplies to ±15V and gain to 10 drives approximately 2700pF.



Figure 6-4 shows one method to improve capacitive load drive in the unity gain configuration by inserting a resistor inside the feedback loop. This reduces ringing with large capacitive loads while maintaining dc accuracy. For example, with  $V_S = \pm 1.35V$  and  $R_S = 5k\Omega$ , the OPAx241 series and OPAx251 series perform well with capacitive loads in excess of 1000pF. Without the series resistor, the capacitive load drive is typically 200pF for these conditions. However, this method results in a slight reduction of output voltage swing.

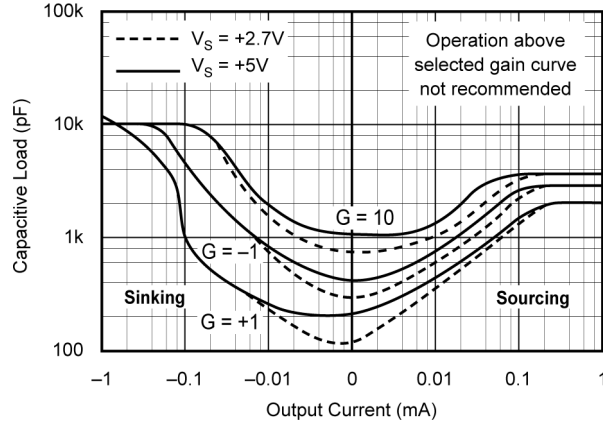


Figure 6-2. Stability—Capacitive Load vs Output Current for Low Supply Voltage

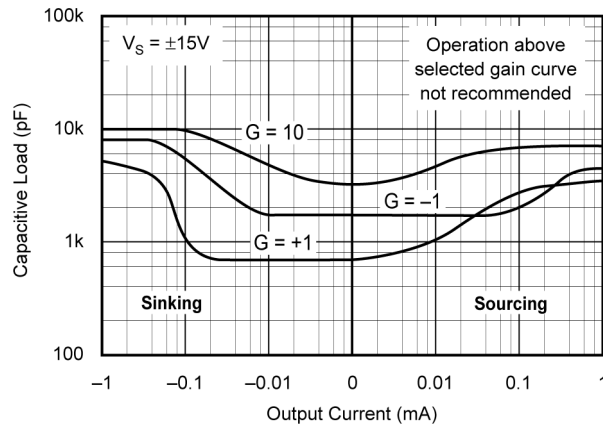


Figure 6-3. Stability—Capacitive Load vs Output Current for  $\pm 15V$  Supplies

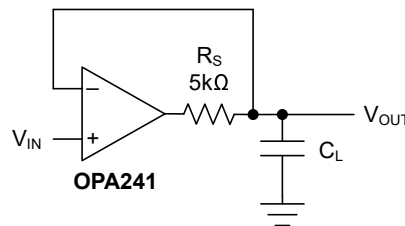
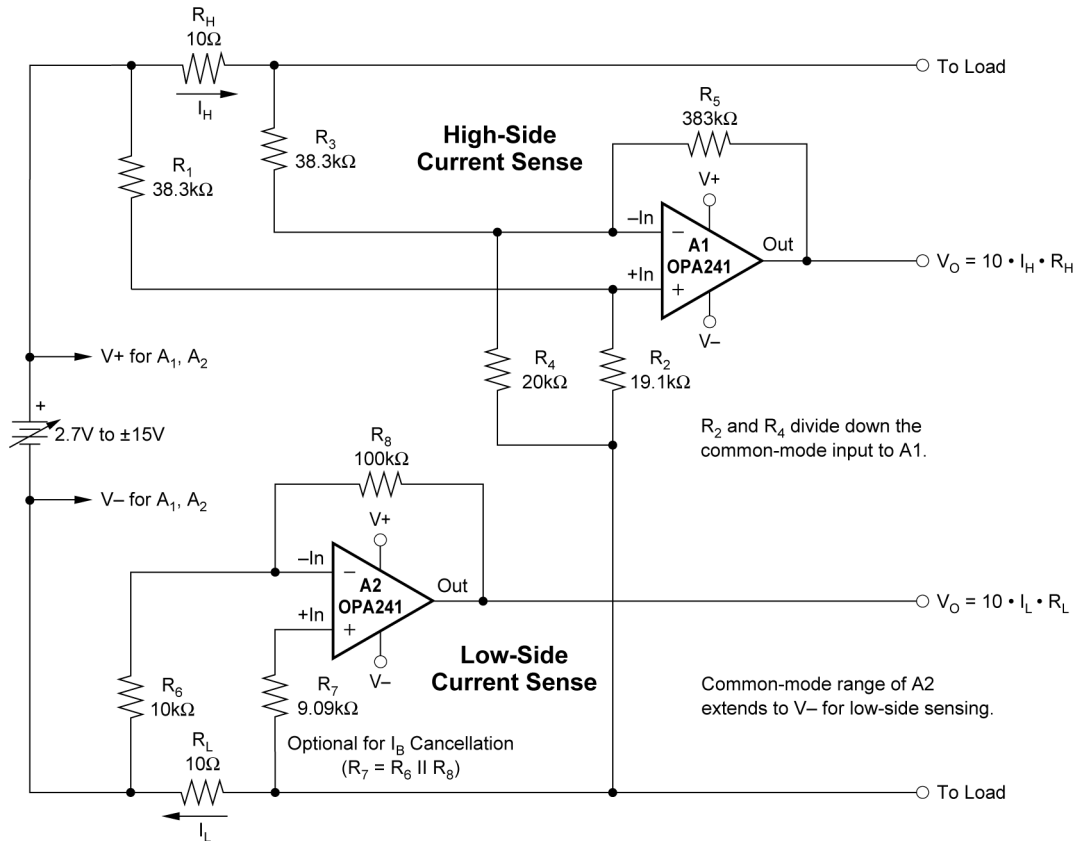


Figure 6-4. Series Resistor in Unity Gain Configuration Improves Capacitive Load Drive



NOTE: Low and high-side sensing circuits can be used independently.

**図 6-5. Low-Side and High-Side Battery Current Sensing**

## 7 Device and Documentation Support

TI offers an extensive line of development tools. Tools and software to evaluate the performance of the device, generate code, and develop solutions are listed below.

### 7.1 ドキュメントの更新通知を受け取る方法

ドキュメントの更新についての通知を受け取るには、[www.tij.co.jp](http://www.tij.co.jp) のデバイス製品フォルダを開いてください。[通知] をクリックして登録すると、変更されたすべての製品情報に関するダイジェストを毎週受け取ることができます。変更の詳細については、改訂されたドキュメントに含まれている改訂履歴をご覧ください。

### 7.2 サポート・リソース

テキサス・インスツルメンツ E2E™ サポート・フォーラムは、エンジニアが検証済みの回答と設計に関するヒントをエキスパートから迅速かつ直接得ることができる場所です。既存の回答を検索したり、独自の質問をしたりすることで、設計に必要な支援を迅速に得ることができます。

リンクされているコンテンツは、各寄稿者により「現状のまま」提供されるものです。これらはテキサス・インスツルメンツの仕様を構成するものではなく、必ずしもテキサス・インスツルメンツの見解を反映したものではありません。テキサス・インスツルメンツの[使用条件](#)を参照してください。

### 7.3 Trademarks

テキサス・インスツルメンツ E2E™ is a trademark of Texas Instruments.

すべての商標は、それぞれの所有者に帰属します。

### 7.4 静電気放電に関する注意事項



この IC は、ESD によって破損する可能性があります。テキサス・インスツルメンツは、IC を取り扱う際には常に適切な注意を払うことを推奨します。正しい取り扱いおよび設置手順に従わない場合、デバイスを破損するおそれがあります。

ESD による破損は、わずかな性能低下からデバイスの完全な故障まで多岐にわたります。精密な IC の場合、パラメータがわずかに変化するだけで公表されている仕様から外れる可能性があるため、破損が発生しやすくなっています。

### 7.5 用語集

[テキサス・インスツルメンツ用語集](#) この用語集には、用語や略語の一覧および定義が記載されています。

## 8 Revision History

資料番号末尾の英字は改訂を表しています。その改訂履歴は英語版に準じています。

Changes from Revision * (September 2000) to Revision A (June 2024)	Page
ドキュメント全体にわたって表、図、相互参照の採番方法を更新.....	1
「製品情報」表、「ピン構成および機能」、「推奨動作条件」、「熱に関する情報」、「電気的特性」、「アプリケーションと実装」、「デバイスおよびドキュメントのサポート」、「改訂履歴」、「メカニカル、パッケージ、および注文情報」セクションを追加 .....	1
「概要」に新しい図を追加.....	1
Updated pin names.....	3
Changed input voltage noise from 1μV <sub>PP</sub> to 1.7μV <sub>PP</sub> .....	7
Changed input voltage noise density from 45nV/√Hz to 65nV/√Hz .....	7
Changed input impedance differential capacitance from 2pF to 3.75pF.....	7
Changed overload recovery from 60μs to 80μs.....	7
Changed short-circuit current from -30mA to -24mA for dual and quad.....	7
Changed short-circuit current sink from -50mA to -27mA.....	9
Deleted <i>Input Voltage and Current Noise Spectral Density vs Frequency</i> from <i>Typical Characteristics</i> .....	11
Added Figure 5-4, <i>Input Voltage Noise Spectral Density vs Frequency</i> and Figure 5-5, <i>Input Current Noise Spectral Density vs Frequency</i> .....	11

## 9 Mechanical, Packaging, and Orderable Information

The following pages include mechanical, packaging, and orderable information. This information is the most current data available for the designated devices. This data is subject to change without notice and revision of this document. For browser-based versions of this data sheet, refer to the left-hand navigation.

## 重要なお知らせと免責事項

テキサス・インスツルメンツは、技術データと信頼性データ (データシートを含みます)、設計リソース (リファレンス デザインを含みます)、アプリケーションや設計に関する各種アドバイス、Web ツール、安全性情報、その他のリソースを、欠陥が存在する可能性のある「現状のまま」提供しており、商品性および特定目的に対する適合性の黙示保証、第三者の知的財産権の非侵害保証を含むいかなる保証も、明示的または黙示的にかかわらず拒否します。

これらのリソースは、テキサス・インスツルメンツ製品を使用する設計の経験を積んだ開発者への提供を意図したものです。(1) お客様のアプリケーションに適した テキサス・インスツルメンツ製品の選定、(2) お客様のアプリケーションの設計、検証、試験、(3) お客様のアプリケーションに該当する各種規格や、その他のあらゆる安全性、セキュリティ、規制、または他の要件への確実な適合に関する責任を、お客様のみが単独で負うものとします。

上記の各種リソースは、予告なく変更される可能性があります。これらのリソースは、リソースで説明されている テキサス・インスツルメンツ製品を使用するアプリケーションの開発の目的でのみ、テキサス・インスツルメンツはその使用をお客様に許諾します。これらのリソースに関して、他の目的で複製することや掲載することは禁止されています。テキサス・インスツルメンツや第三者の知的財産権のライセンスが付与されている訳ではありません。お客様は、これらのリソースを自身で使用した結果発生するあらゆる申し立て、損害、費用、損失、責任について、テキサス・インスツルメンツおよびその代理人を完全に補償するものとし、テキサス・インスツルメンツは一切の責任を拒否します。

テキサス・インスツルメンツの製品は、[テキサス・インスツルメンツの販売条件](#)、または [ti.com](https://www.ti.com) やかかる テキサス・インスツルメンツ製品の関連資料などのいずれかを通じて提供する適用可能な条項の下で提供されています。テキサス・インスツルメンツがこれらのリソースを提供することは、適用されるテキサス・インスツルメンツの保証または他の保証の放棄の拡大や変更を意味するものではありません。

お客様がいかなる追加条項または代替条項を提案した場合でも、テキサス・インスツルメンツはそれらに異議を唱え、拒否します。

郵送先住所: Texas Instruments, Post Office Box 655303, Dallas, Texas 75265

Copyright © 2024, Texas Instruments Incorporated

**PACKAGING INFORMATION**

Orderable Device	Status (1)	Package Type	Package Drawing	Pins	Package Qty	Eco Plan (2)	Lead finish/ Ball material (6)	MSL Peak Temp (3)	Op Temp (°C)	Device Marking (4/5)	Samples
OPA2241PA	ACTIVE	PDIP	P	8	50	RoHS & Green	NIPDAU	N / A for Pkg Type	-40 to 85	OPA2241PA	<a href="#">Samples</a>
OPA2241PAG4	ACTIVE	PDIP	P	8	50	RoHS & Green	NIPDAU	N / A for Pkg Type	-40 to 85	OPA2241PA	<a href="#">Samples</a>
OPA2241UA	OBSOLETE	SOIC	D	8		TBD	Call TI	Call TI	-40 to 85	OPA 2241UA	
OPA2241UA/2K5	ACTIVE	SOIC	D	8	2500	RoHS & Green	NIPDAU	Level-3-260C-168 HR	-40 to 85	OPA 2241UA	<a href="#">Samples</a>
OPA2251PA	ACTIVE	PDIP	P	8	50	RoHS & Green	NIPDAU	N / A for Pkg Type	-40 to 85	OPA2251PA	<a href="#">Samples</a>
OPA2251PAG4	ACTIVE	PDIP	P	8	50	RoHS & Green	NIPDAU	N / A for Pkg Type	-40 to 85	OPA2251PA	<a href="#">Samples</a>
OPA2251UA	OBSOLETE	SOIC	D	8		TBD	Call TI	Call TI	-40 to 85	OPA 2251UA	
OPA2251UA/2K5	ACTIVE	SOIC	D	8	2500	RoHS & Green	NIPDAU	Level-3-260C-168 HR	-40 to 85	OPA 2251UA	<a href="#">Samples</a>
OPA241PA	ACTIVE	PDIP	P	8	50	RoHS & Green	NIPDAU	N / A for Pkg Type		OPA241PA	<a href="#">Samples</a>
OPA241UA	OBSOLETE	SOIC	D	8		TBD	Call TI	Call TI	-40 to 85	OPA 241UA	
OPA241UA/2K5	ACTIVE	SOIC	D	8	2500	RoHS & Green	NIPDAU	Level-3-260C-168 HR	-40 to 85	OPA 241UA	<a href="#">Samples</a>
OPA251UA	OBSOLETE	SOIC	D	8		TBD	Call TI	Call TI	-40 to 85	OPA 251UA	
OPA251UA/2K5	ACTIVE	SOIC	D	8	2500	RoHS & Green	NIPDAU	Level-3-260C-168 HR	-40 to 85	OPA 251UA	<a href="#">Samples</a>
OPA4241PA	ACTIVE	PDIP	N	14	25	RoHS & Green	NIPDAU	N / A for Pkg Type	-40 to 85	OPA4241PA	<a href="#">Samples</a>
OPA4241UA	ACTIVE	SOIC	D	14	50	RoHS & Green	NIPDAU-DCC	Level-3-260C-168 HR	-40 to 85	OPA4241UA	<a href="#">Samples</a>
OPA4241UA/2K5	ACTIVE	SOIC	D	14	2500	RoHS & Green	NIPDAU-DCC	Level-3-260C-168 HR	-40 to 85	OPA4241UA	<a href="#">Samples</a>
OPA4251UA	ACTIVE	SOIC	D	14	50	RoHS & Green	NIPDAU-DCC	Level-3-260C-168 HR	-40 to 85	OPA4251UA	<a href="#">Samples</a>
OPA4251UA/2K5	ACTIVE	SOIC	D	14	2500	RoHS & Green	NIPDAU-DCC	Level-3-260C-168 HR	-40 to 85	OPA4251UA	<a href="#">Samples</a>

(1) The marketing status values are defined as follows:

**ACTIVE:** Product device recommended for new designs.

**LIFEBUY:** TI has announced that the device will be discontinued, and a lifetime-buy period is in effect.

**NRND:** Not recommended for new designs. Device is in production to support existing customers, but TI does not recommend using this part in a new design.

**PREVIEW:** Device has been announced but is not in production. Samples may or may not be available.

**OBSELETE:** TI has discontinued the production of the device.

(2) **RoHS:** TI defines "RoHS" to mean semiconductor products that are compliant with the current EU RoHS requirements for all 10 RoHS substances, including the requirement that RoHS substance do not exceed 0.1% by weight in homogeneous materials. Where designed to be soldered at high temperatures, "RoHS" products are suitable for use in specified lead-free processes. TI may reference these types of products as "Pb-Free".

**RoHS Exempt:** TI defines "RoHS Exempt" to mean products that contain lead but are compliant with EU RoHS pursuant to a specific EU RoHS exemption.

**Green:** TI defines "Green" to mean the content of Chlorine (Cl) and Bromine (Br) based flame retardants meet JS709B low halogen requirements of  $\leq 1000$ ppm threshold. Antimony trioxide based flame retardants must also meet the  $\leq 1000$ ppm threshold requirement.

(3) MSL, Peak Temp. - The Moisture Sensitivity Level rating according to the JEDEC industry standard classifications, and peak solder temperature.

(4) There may be additional marking, which relates to the logo, the lot trace code information, or the environmental category on the device.

(5) Multiple Device Markings will be inside parentheses. Only one Device Marking contained in parentheses and separated by a "~" will appear on a device. If a line is indented then it is a continuation of the previous line and the two combined represent the entire Device Marking for that device.

(6) Lead finish/Ball material - Orderable Devices may have multiple material finish options. Finish options are separated by a vertical ruled line. Lead finish/Ball material values may wrap to two lines if the finish value exceeds the maximum column width.

**Important Information and Disclaimer:**The information provided on this page represents TI's knowledge and belief as of the date that it is provided. TI bases its knowledge and belief on information provided by third parties, and makes no representation or warranty as to the accuracy of such information. Efforts are underway to better integrate information from third parties. TI has taken and continues to take reasonable steps to provide representative and accurate information but may not have conducted destructive testing or chemical analysis on incoming materials and chemicals. TI and TI suppliers consider certain information to be proprietary, and thus CAS numbers and other limited information may not be available for release.

In no event shall TI's liability arising out of such information exceed the total purchase price of the TI part(s) at issue in this document sold by TI to Customer on an annual basis.

**TAPE AND REEL INFORMATION**

**QUADRANT ASSIGNMENTS FOR PIN 1 ORIENTATION IN TAPE**


\*All dimensions are nominal

Device	Package Type	Package Drawing	Pins	SPQ	Reel Diameter (mm)	Reel Width W1 (mm)	A0 (mm)	B0 (mm)	K0 (mm)	P1 (mm)	W (mm)	Pin1 Quadrant
OPA2241UA/2K5	SOIC	D	8	2500	330.0	12.4	6.4	5.2	2.1	8.0	12.0	Q1
OPA2251UA/2K5	SOIC	D	8	2500	330.0	12.4	6.4	5.2	2.1	8.0	12.0	Q1
OPA241UA/2K5	SOIC	D	8	2500	330.0	12.4	6.4	5.2	2.1	8.0	12.0	Q1
OPA251UA/2K5	SOIC	D	8	2500	330.0	12.4	6.4	5.2	2.1	8.0	12.0	Q1
OPA4241UA/2K5	SOIC	D	14	2500	330.0	16.4	6.5	9.0	2.1	8.0	16.0	Q1
OPA4251UA/2K5	SOIC	D	14	2500	330.0	16.4	6.5	9.0	2.1	8.0	16.0	Q1



## TAPE AND REEL BOX DIMENSIONS



\*All dimensions are nominal

Device	Package Type	Package Drawing	Pins	SPQ	Length (mm)	Width (mm)	Height (mm)
OPA2241UA/2K5	SOIC	D	8	2500	356.0	356.0	35.0
OPA2251UA/2K5	SOIC	D	8	2500	356.0	356.0	35.0
OPA241UA/2K5	SOIC	D	8	2500	356.0	356.0	35.0
OPA251UA/2K5	SOIC	D	8	2500	356.0	356.0	35.0
OPA4241UA/2K5	SOIC	D	14	2500	356.0	356.0	35.0
OPA4251UA/2K5	SOIC	D	14	2500	356.0	356.0	35.0

**TUBE**


\*All dimensions are nominal

Device	Package Name	Package Type	Pins	SPQ	L (mm)	W (mm)	T (μm)	B (mm)
OPA2241PA	P	PDIP	8	50	506	13.97	11230	4.32
OPA2241PAG4	P	PDIP	8	50	506	13.97	11230	4.32
OPA2251PA	P	PDIP	8	50	506	13.97	11230	4.32
OPA2251PAG4	P	PDIP	8	50	506	13.97	11230	4.32
OPA241PA	P	PDIP	8	50	506	13.97	11230	4.32
OPA4241PA	N	PDIP	14	25	506	13.97	11230	4.32
OPA4241UA	D	SOIC	14	50	506.6	8	3940	4.32
OPA4251UA	D	SOIC	14	50	506.6	8	3940	4.32



# D0014A

# PACKAGE OUTLINE

## SOIC - 1.75 mm max height

SMALL OUTLINE INTEGRATED CIRCUIT



4220718/A 09/2016

### NOTES:

1. All linear dimensions are in millimeters. Dimensions in parenthesis are for reference only. Dimensioning and tolerancing per ASME Y14.5M.
2. This drawing is subject to change without notice.
3. This dimension does not include mold flash, protrusions, or gate burrs. Mold flash, protrusions, or gate burrs shall not exceed 0.15 mm, per side.
4. This dimension does not include interlead flash. Interlead flash shall not exceed 0.43 mm, per side.
5. Reference JEDEC registration MS-012, variation AB.

# EXAMPLE BOARD LAYOUT

D0014A

SOIC - 1.75 mm max height

SMALL OUTLINE INTEGRATED CIRCUIT



LAND PATTERN EXAMPLE  
SCALE:8X



SOLDER MASK DETAILS

4220718/A 09/2016

NOTES: (continued)

- 6. Publication IPC-7351 may have alternate designs.
- 7. Solder mask tolerances between and around signal pads can vary based on board fabrication site.

# EXAMPLE STENCIL DESIGN

D0014A

SOIC - 1.75 mm max height

SMALL OUTLINE INTEGRATED CIRCUIT

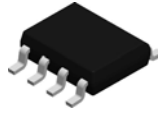


SOLDER PASTE EXAMPLE  
BASED ON 0.125 mm THICK STENCIL  
SCALE:8X

4220718/A 09/2016

NOTES: (continued)

8. Laser cutting apertures with trapezoidal walls and rounded corners may offer better paste release. IPC-7525 may have alternate design recommendations.
9. Board assembly site may have different recommendations for stencil design.

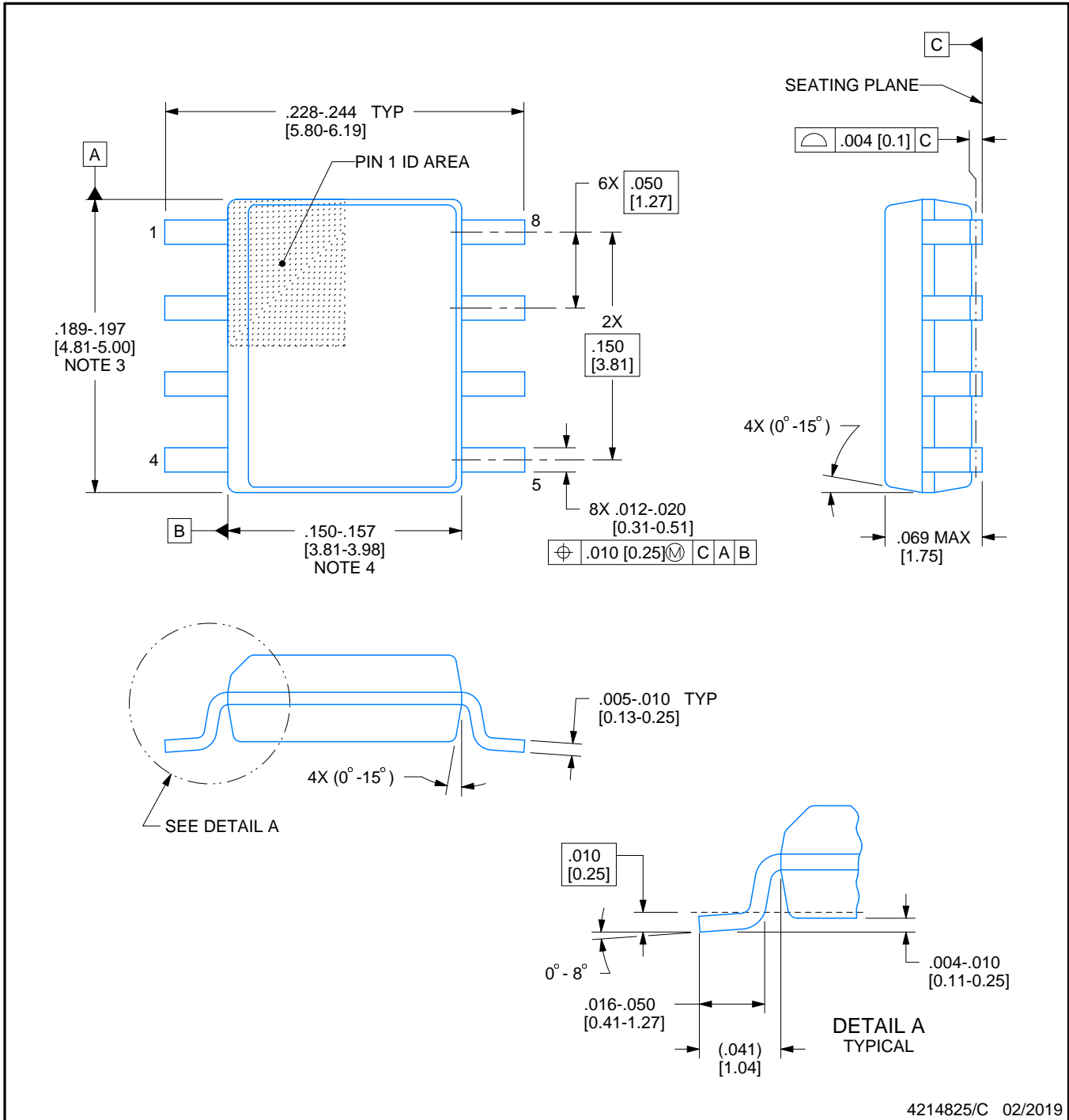


# D0008A

# PACKAGE OUTLINE

SOIC - 1.75 mm max height

SMALL OUTLINE INTEGRATED CIRCUIT



4214825/C 02/2019

### NOTES:

- Linear dimensions are in inches [millimeters]. Dimensions in parenthesis are for reference only. Controlling dimensions are in inches. Dimensioning and tolerancing per ASME Y14.5M.
- This drawing is subject to change without notice.
- This dimension does not include mold flash, protrusions, or gate burrs. Mold flash, protrusions, or gate burrs shall not exceed .006 [0.15] per side.
- This dimension does not include interlead flash.
- Reference JEDEC registration MS-012, variation AA.

# EXAMPLE BOARD LAYOUT

D0008A

SOIC - 1.75 mm max height

SMALL OUTLINE INTEGRATED CIRCUIT



LAND PATTERN EXAMPLE  
 EXPOSED METAL SHOWN  
 SCALE:8X



SOLDER MASK DETAILS

4214825/C 02/2019

NOTES: (continued)

- 6. Publication IPC-7351 may have alternate designs.
- 7. Solder mask tolerances between and around signal pads can vary based on board fabrication site.

# EXAMPLE STENCIL DESIGN

D0008A

SOIC - 1.75 mm max height

SMALL OUTLINE INTEGRATED CIRCUIT



SOLDER PASTE EXAMPLE  
BASED ON .005 INCH [0.125 MM] THICK STENCIL  
SCALE:8X

4214825/C 02/2019

NOTES: (continued)

8. Laser cutting apertures with trapezoidal walls and rounded corners may offer better paste release. IPC-7525 may have alternate design recommendations.
9. Board assembly site may have different recommendations for stencil design.



P (R-PDIP-T8)

PLASTIC DUAL-IN-LINE PACKAGE



- NOTES:
- A. All linear dimensions are in inches (millimeters).
  - B. This drawing is subject to change without notice.
  - C. Falls within JEDEC MS-001 variation BA.

N (R-PDIP-T\*\*)

PLASTIC DUAL-IN-LINE PACKAGE

16 PINS SHOWN



- NOTES:
- A. All linear dimensions are in inches (millimeters).
  - B. This drawing is subject to change without notice.
  - Falls within JEDEC MS-001, except 18 and 20 pin minimum body length (Dim A).
  - The 20 pin end lead shoulder width is a vendor option, either half or full width.

## 重要なお知らせと免責事項

TI は、技術データと信頼性データ(データシートを含みます)、設計リソース(リファレンス・デザインを含みます)、アプリケーションや設計に関する各種アドバイス、Web ツール、安全性情報、その他のリソースを、欠陥が存在する可能性のある「現状のまま」提供しており、商品性および特定目的に対する適合性の黙示保証、第三者の知的財産権の非侵害保証を含むいかなる保証も、明示的または黙示的にかかわらず拒否します。

これらのリソースは、TI 製品を使用する設計の経験を積んだ開発者への提供を意図したものです。(1) お客様のアプリケーションに適した TI 製品の選定、(2) お客様のアプリケーションの設計、検証、試験、(3) お客様のアプリケーションに該当する各種規格や、その他のあらゆる安全性、セキュリティ、規制、または他の要件への確実な適合に関する責任を、お客様のみが単独で負うものとし、

上記の各種リソースは、予告なく変更される可能性があります。これらのリソースは、リソースで説明されている TI 製品を使用するアプリケーションの開発の目的でのみ、TI はその使用をお客様に許諾します。これらのリソースに関して、他の目的で複製することや掲載することは禁止されています。TI や第三者の知的財産権のライセンスが付与されている訳ではありません。お客様は、これらのリソースを自身で使用した結果発生するあらゆる申し立て、損害、費用、損失、責任について、TI およびその代理人を完全に補償するものとし、TI は一切の責任を拒否します。

TI の製品は、[TI の販売条件](#)、または [ti.com](#) やかかる TI 製品の関連資料などのいずれかを通じて提供する適用可能な条項の下で提供されています。TI がこれらのリソースを提供することは、適用される TI の保証または他の保証の放棄の拡大や変更を意味するものではありません。

お客様がいかなる追加条項または代替条項を提案した場合でも、TI はそれらに異議を唱え、拒否します。

郵送先住所 : Texas Instruments, Post Office Box 655303, Dallas, Texas 75265  
Copyright © 2024, Texas Instruments Incorporated