

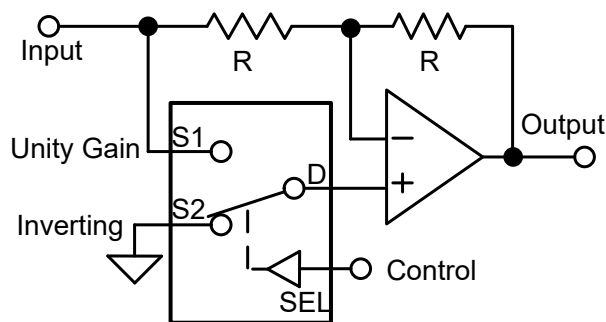
SN4599-Q1 車載用 5V、2:1 (SPDT)、1 チャネル アナログ スイッチ

1 特長

- 車載アプリケーション用に AEC-Q100 認定済み:
 - デバイス温度グレード 1: 動作時周囲温度範囲: $-40^{\circ}\text{C} \sim 125^{\circ}\text{C}$
 - デバイス HBM 分類レベル H1C
 - デバイス CDM 分類レベル C3
- レール ツー レールの動作
- 双方向の信号バス
- 低いオン抵抗: 7Ω
- 幅広い電源電圧範囲: $2\text{V} \sim 5.5\text{V}$
- $-40^{\circ}\text{C} \sim +125^{\circ}\text{C}$ の動作温度
- ブレイク ビフォー メイクのスイッチング動作
- SN4599-Q1 NLAS4599-Q1 の直接代替品

2 アプリケーション

- アナログおよびデジタル スwitchング
- I²C および SPI バスの多重化
- 先進運転支援システム (ADAS)
- ボディ エレクトロニクスおよび照明
- インフォテインメントおよびクラスター
- ゾーン アーキテクチャ
- 車体制御モジュール
- バッテリー管理システム
- テレマティクス
- 車載用ヘッド ユニット



アプリケーションの例

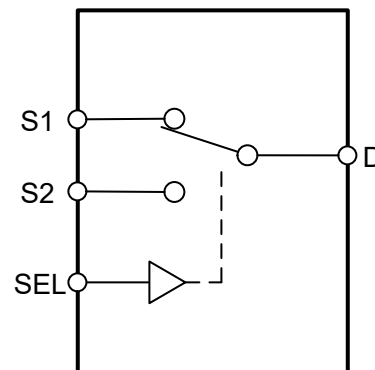
3 概要

SN4599-Q1 は、汎用の CMOS (相補型金属酸化膜半導体) 単極双投 (SPDT) スイッチです。SN4599-Q1 は、SEL ピンの状態に基づいて、2 つのソース入力間のスイッチングを行います。 $2\text{V} \sim 5.5\text{V}$ の広い動作電源電圧範囲で、幅広い車載用アプリケーションに使用可能です。このデバイスは、ソース (Sx) およびドレイン (D) ピンで、GND から V_{DD} までの範囲の双方向アナログおよびデジタル信号をサポートします。

パッケージ情報

部品番号	パッケージ (1)	パッケージ サイズ (2)
SN4599-Q1	DBV (SOT-23, 6)	2.9mm × 2.8mm

- 詳細については、[セクション 11](#) を参照してください。
- パッケージ サイズ (長さ × 幅) は公称値であり、該当する場合はピンも含まれます。



ブロック図



Table of Contents

1 特長	1	6.9 Bandwidth.....	15
2 アプリケーション	1	7 Detailed Description	16
3 概要	1	7.1 Functional Block Diagram.....	16
4 Pin Configuration and Functions	3	7.2 Feature Description.....	16
5 Specifications	4	7.3 Device Functional Modes.....	16
5.1 Absolute Maximum Ratings.....	4	7.4 Truth Tables.....	16
5.2 ESD Ratings.....	4	8 Application and Implementation	17
5.3 Recommended Operating Conditions.....	4	8.1 Application Information.....	17
5.4 Thermal Information.....	5	8.2 Typical Application.....	17
5.5 Source or Drain Current through Switch.....	5	8.3 Power Supply Recommendations.....	19
5.6 Electrical Characteristics.....	6	8.4 Layout.....	19
5.7 Analog Channel Specifications.....	8	9 Device and Documentation Support	21
5.8 Switching Characteristics.....	9	9.1 Documentation Support.....	21
5.9 Typical Characteristics.....	10	9.2 ドキュメントの更新通知を受け取る方法.....	21
6 Parameter Measurement Information	11	9.3 サポート・リソース.....	21
6.1 On-Resistance.....	11	9.4 Trademarks.....	21
6.2 Off-Leakage Current.....	11	9.5 静電気放電に関する注意事項.....	21
6.3 On-Leakage Current.....	11	9.6 用語集.....	21
6.4 Transition Time.....	12	10 Revision History	21
6.5 Break-Before-Make.....	12	11 Mechanical, Packaging, and Orderable Information	22
6.6 Charge Injection.....	13	11.1 Tape and Reel Information.....	22
6.7 Off Isolation.....	13	11.2 Mechanical Data.....	24
6.8 Crosstalk.....	14		

4 Pin Configuration and Functions

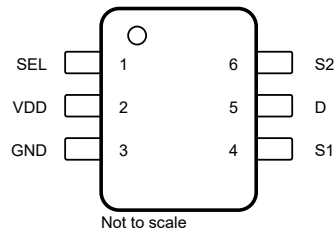


図 4-1. DBV Package 6-Pin SOT-23 (Top View)

表 4-1. Pin Functions

PIN		TYPE ⁽¹⁾	DESCRIPTION
NAME	NO.		
SEL	1	I	Select pin: controls state of the switch according to 表 7-1. (Logic Low = S1 to D, Logic High = S2 to D)
VDD	2	P	Positive power supply. This pin is the most positive power-supply potential. For reliable operation, connect a decoupling capacitor ranging from 0.1μF to 10μF between V _{DD} and GND.
GND	3	P	Ground (0V) reference
S1	4	I/O	Source pin 1. Can be an input or output.
D	5	I/O	Drain pin. Can be an input or output.
S2	6	I/O	Source pin 2. Can be an input or output.

(1) I = input, O = output, I/O = input and output, P = power

5 Specifications

5.1 Absolute Maximum Ratings

over operating free-air temperature range (unless otherwise noted)⁽¹⁾

		MIN	MAX	UNIT
V _{DD}	Supply voltage	-0.5	6	V
V _{IN}	Control input voltage ⁽²⁾	-0.5	6	V
V _{I/O}	Voltage range applied to any output in the high-impedance or power-off state ^{(2) (3)}	-0.5	V _{DD} + 0.5	V
I _{IK}	Control input clamp current V _{IN} < 0		-50	mA
I _{I/O}	I/O port diode current V _{I/O} < 0 or V _{I/O} > V _{DD}	-50	50	mA
I _{I/O}	On-state switch current ⁽⁴⁾ V _{I/O} = 0 to V _{DD}	I _{DC} ± 10 % ⁽⁷⁾	I _{DC} ± 10 % ⁽⁷⁾	mA
P _{tot}	Total power dissipation		300	mW
T _J	Junction temperature		150	C
Storage temperature, T _{stg}		-65	150	C

- (1) Operation outside the Absolute Maximum Rating may cause permanent device damage. Absolute Maximum Rating do not imply functional operation of the device at these or any other conditions beyond those listed under Recommended Operating Condition. If used outside the Recommended Operating Condition but within the Absolute Maximum Rating, the device may not be fully functional, and this may affect device reliability, functionality, performance, and shorten the device lifetime.
- (2) All voltages are with respect to ground unless otherwise specified.
- (3) V_I, V_O, V_A, and V_{Bn} are used to denote specific conditions for V_{I/O}.
- (4) I_I, I_O, I_A, and I_{Bn} are used to denote specific conditions for I_{I/O}.
- (5) Refer to *Source or Drain Current* table for I_{DC} specifications.

5.2 ESD Ratings

			VALUE	UNIT
V _(ESD)	Electrostatic discharge	Human body model (HBM), per AEC Q100-002 ⁽¹⁾	±2000	V
		Charged device model (CDM), per AEC Q100-011	±750	

- (1) AEC Q100-002 indicates that HBM stressing must be in accordance with the ANSI/ESDA/JEDEC JS-002 specification.

5.3 Recommended Operating Conditions

over operating free-air temperature range (unless otherwise noted)

			MIN	NOM	MAX	UNIT
V _{DD}	Supply voltage		2		5.5	V
V _{I/O}	Switch input or output voltage (Max of V _{DD})		0		V _{DD}	V
V _{IN}	Control input voltage		0		5.5	V
V _{IH}	High-level input voltage	V _{DD} = 2V to 2.29V	V _{DD} × 0.75			V
		V _{DD} = 2.3V to 5.5V	V _{DD} × 0.7			
V _{IL}	Low-level input voltage	V _{DD} = 2V to 2.29V	V _{DD} × 0.25			V
		V _{DD} = 2.3V to 2.9V	V _{DD} × 0.3			
		V _{DD} = 3V to 5V	0.85			

5.4 Thermal Information

THERMAL METRIC ⁽¹⁾		SN4599-Q1	UNIT
		DBV (SOT-23)	
		6 PINS	
$R_{\theta JA}$	Junction-to-ambient thermal resistance	212.3	°C/W
$R_{\theta JC(top)}$	Junction-to-case (top) thermal resistance	156.7	°C/W
$R_{\theta JB}$	Junction-to-board thermal resistance	96.5	°C/W
Ψ_{JT}	Junction-to-top characterization parameter	80.7	°C/W
Ψ_{JB}	Junction-to-board characterization parameter	96.	°C/W
$R_{\theta JC(bot)}$	Junction-to-case (bottom) thermal resistance	N/A	°C/W

(1) For more information about traditional and new thermal metrics, see the [Semiconductor and IC Package Thermal Metrics](#) application report.

5.5 Source or Drain Current through Switch

Current through the Switch	$T_J = 25^\circ\text{C}$	$T_J = 85^\circ\text{C}$	$T_J = 125^\circ\text{C}$	$T_J = 130^\circ\text{C}$	UNIT
I_{DC} ⁽¹⁾	150	120	60	50	mA
I_{peak} ⁽²⁾	300	300	180	160	mA

(1) See **Thermal Considerations** section for more details
 (2) Pulse current of 1ms with 10% Duty Cycle

5.6 Electrical Characteristics

Over operating free-air temperature range, $V_{SUPPLY} = \pm 5\text{ V}$, and $R_L = 100\ \Omega$, (unless otherwise noted)⁽¹⁾

PARAMETER		TEST CONDITIONS			MIN	TYP	MAX	UNIT		
SN4599-Q1										
		$V_{DD}\text{ V}$	$V_{I/O}\text{ V}$	$I_O\text{ mA}$	T_A					
r_{ON}	ON-state switch resistance	2 V	$V_I = 0\text{ V}$	$I_O = 4\text{ mA}$	25°C		11	Ω		
					-40°C to +85°C		20			
					-40°C to +125°C		20			
			$V_I = 1.65$	$I_O = -4\text{ mA}$	25°C		15			
					-40°C to +85°C		50			
					-40°C to +125°C		50			
		2.3 V	$V_I = 0\text{ V}$	$I_O = 8\text{ mA}$	25°C		8			
					-40°C to +85°C		12			
					-40°C to +125°C		12			
			$V_I = 2.3\text{ V}$	$I_O = -8\text{ mA}$	25°C		11			
					-40°C to +85°C		30			
					-40°C to +125°C		30			
		3 V	$V_I = 0\text{ V}$	$I_O = 24\text{ mA}$	25°C		7			
					-40°C to +85°C		9			
					-40°C to +125°C		9			
			$V_I = 3\text{ V}$	$I_O = -24\text{ mA}$	25°C		9			
					-40°C to +85°C		20			
					-40°C to +125°C		20			
		4.5 V	$V_I = 0\text{ V}$	$I_O = 30\text{ mA}$	25°C		6			
					-40°C to +85°C		7			
					-40°C to +125°C		7			
			$V_I = 2.4\text{ V}$	$I_O = 30\text{ mA}$	25°C		7			
					-40°C to +85°C		12			
					-40°C to +125°C		12			
$V_I = 4.5\text{ V}$	$I_O = -30\text{ mA}$	25°C		7						
		-40°C to +85°C		15						
		-40°C to +125°C		15						
r_{range}	ON-state switch resistance over signal range	$0 \leq V_{Sn} \leq V_{DD}$		$I_D = -4\text{ mA}$	25°C		210	Ω		
					-40°C to +85°C		210			
					-40°C to +125°C		210			
					2.3 V	$I_D = -8\text{ mA}$	25°C			85
							-40°C to +85°C			85
							-40°C to +125°C			85
					3 V	$I_D = -24\text{ mA}$	25°C			30
							-40°C to +85°C			30
							-40°C to +125°C			30
					4.5 V	$I_D = -30\text{ mA}$	25°C			18
							-40°C to +85°C			18
							-40°C to +125°C			18

5.6 Electrical Characteristics (続き)

Over operating free-air temperature range, $V_{SUPPLY} = \pm 5\text{ V}$, and $R_L = 100\ \Omega$, (unless otherwise noted)⁽¹⁾

PARAMETER		TEST CONDITIONS			MIN	TYP	MAX	UNIT		
Δr_{ON}	Maximum ON resistance between any two channels	2 V	$V_{Sn} = 1.15\text{ V}$	$I_D = -4\text{ mA}$	25°C	0.5		Ω		
					-40°C to +85°C	0.5				
					-40°C to +125°C	0.5				
		2.3 V	$V_{Sn} = 1.6\text{ V}$	$I_D = -8\text{ mA}$	25°C	0.1				
					-40°C to +85°C	0.1				
					-40°C to +125°C	0.3				
		3 V	$V_{Sn} = 2.1\text{ V}$	$I_D = -24\text{ mA}$	25°C	0.1				
					-40°C to +85°C	0.1				
					-40°C to +125°C	0.3				
		4.5 V	$V_{Sn} = 3.15\text{ V}$	$I_D = -30\text{ mA}$	25°C	0.1				
					-40°C to +85°C	0.1				
					-40°C to +125°C	0.2				
$r_{on(flat)}$	ON resistance flatness	0 ≤ V_{Sn} ≤ V_{DD}		$I_D = -4\text{ mA}$	25°C	110		Ω		
					-40°C to +85°C	110				
					-40°C to +125°C	110				
					2.3 V	$I_D = -8\text{ mA}$	25°C		26	
							-40°C to +85°C		26	
							-40°C to +125°C		40	
					3 V	$I_D = -24\text{ mA}$	25°C		9	
							-40°C to +85°C		9	
							-40°C to +125°C		10	
					4.5 V	$I_D = -30\text{ mA}$	25°C		4	
							-40°C to +85°C		4	
							-40°C to +125°C		5	
I_{off}	Switch OFF leakage current				25°C	±5		nA		
					-40°C to +85°C	±25				
					-40°C to +125°C	±100				
					5.5 V	$V_S = 4.5\text{ V} / 1.5\text{ V}$ $V_D = 1.5\text{ V} / 4.5\text{ V}$	25°C		±5	
							-40°C to +85°C		±25	
							-40°C to +125°C		±100	
$I_{S(on)}$	ON-state switch leakage current	5.5	$V_I = V_{DD}$ or GND, $V_O = \text{Open}$		25°C	±15		nA		
					-40°C to +85°C	±50				
					-40°C to +125°C	±100				
I_{IN}	Control input current	0 V to 5.5 V	0 ≤ V_{IN} ≤ V_{DD}		25°C	±0.05	±0.1	μA		
					-40°C to +85°C	±1				
					-40°C to +125°C	±1				
I_{DD}	Supply current	5.5 V	SEL = V_{DD} or GND		25°C	1		μA		
					-40°C to +85°C	10				
					-40°C to +125°C	35				
C_I	Control input capacitance	5 V	SEL ($V_{DD}/2$)		25°C	2.7		pF		
					-40°C to +85°C	2.7				
					-40°C to +125°C	2.7				

5.6 Electrical Characteristics (続き)

Over operating free-air temperature range, $V_{SUPPLY} = \pm 5\text{ V}$, and $R_L = 100\ \Omega$, (unless otherwise noted)⁽¹⁾

PARAMETER		TEST CONDITIONS		MIN	TYP	MAX	UNIT
$C_{io(off)}$	Switch input/output capacitance	5 V	Sn ($V_{DD}/2$)	25°C	5.2		pF
				-40°C to +85°C	5.2		
				-40°C to +125°C	5.2		
$C_{io(on)}$	Switch input/output capacitance	5 V	Sn ($V_{DD}/2$)	25°C	21		pF
				-40°C to +85°C	21		
				-40°C to +125°C	21		
			D ($V_{DD}/2$)	25°C	21		
				-40°C to +85°C	21		
				-40°C to +125°C	21		

(1) $T_A = 25\text{C}$

5.7 Analog Channel Specifications

over operating free-air temperature range (unless otherwise noted)

Parameter	FROM (INPUT)	TO (OUTPUT)	TEST CONDITIONS	V_{DD}	MIN	NOM	MAX	UNIT
Frequency response (switch on)	D or Sn	Sn or D	$R_L = 50\ \Omega$, $f_{in} =$ sine wave	2 V		250		MHz
				2.3 V		250		
				3 V		250		
				4.5 V		250		
Crosstalk (between switches)	S1 or S2	S2 or S1	$R_L = 50\ \Omega$, $f_{in} =$ 1MHz sine wave	2 V		-54		dB
				2.3 V		-54		
				3 V		-54		
				4.5 V		-54		
Feed through attenuation (switch off)	D or Sn	Sn or D	$C_L = 5\ \text{pF}$, $R_L = 50\ \Omega$, $f_{in} = 1\ \text{MHz}$ (sine wave)	2 V		-57		dB
				2.3 V		-57		
				3 V		-57		
				4.5 V		-57		
Charge injection	SEL ($V_s = V_{DD}/2$)	D	$C_L = 0.1\ \text{nF}$, $R_L = 1\ \text{M}\Omega$	3.3 V		3		pC
				5 V		7		
Total harmonic distortion	D or Sn	Sn or D	$V_I = 4.0\ \text{V}_{p-p}$, $V_{bias} = V_{DD}/2$, $R_L = 10\ \text{k}\Omega$, $f_{in} = 600\ \text{Hz}$ to 20kHz (sine wave)	4.5 V		0.01		%

5.8 Switching Characteristics

over operating free-air temperature range (unless otherwise noted)

Parameter		FROM (INPUT)	TO (OUTPUT)	V _{DD}	MIN	NOM	MAX	UNIT
t _{tran}	R _L = 200Ω, C _L = 15pF, V _S = 1V	D or Sn	Sn or D	2 V ± 0.15 V	28			ns
					44			
					44			
	R _L = 200Ω, C _L = 15pF, V _S = 2V	D or Sn	Sn or D	3.3 V ± 0.3 V	14			ns
					20			
					21			
R _L = 200Ω, C _L = 15pF, V _S = 3V	D or Sn	Sn or D	5 V ± 0.5 V	12			ns	
				18				
				19				
T _{B-M}	Break before make time			2 V ± 0.15 V	0.5		ns	
				2.5 V ± 0.2 V	0.5			
				3.3 V ± 0.3 V	0.5			
				5 V ± 0.5 V	0.5			

5.9 Typical Characteristics

at $T_A = 25^\circ\text{C}$, $V_{DD} = 5\text{V}$ (unless otherwise noted)

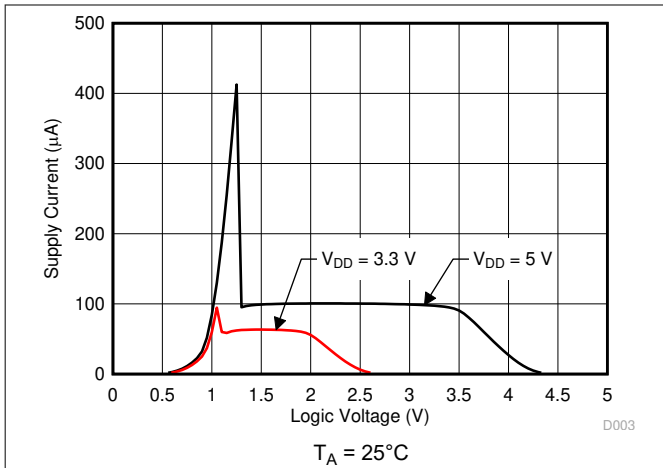


图 5-1. Supply Current vs Logic Voltage

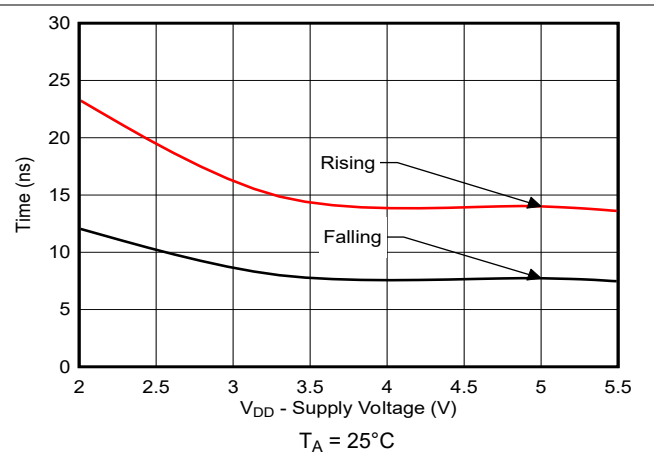


图 5-2. $T_{\text{transition}}$ vs Supply Voltage

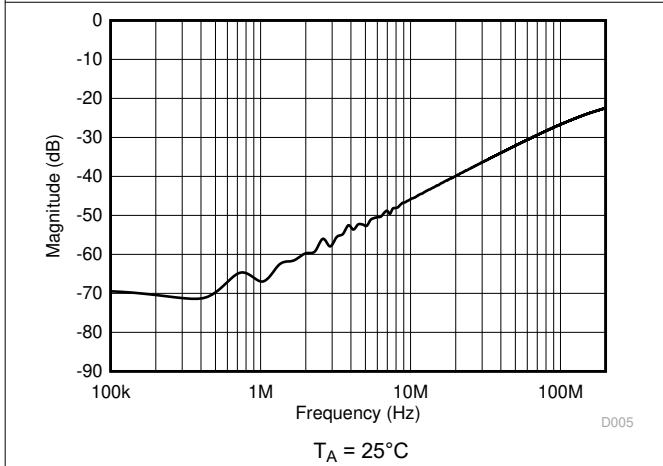


图 5-3. Crosstalk and Off-Isolation vs Frequency

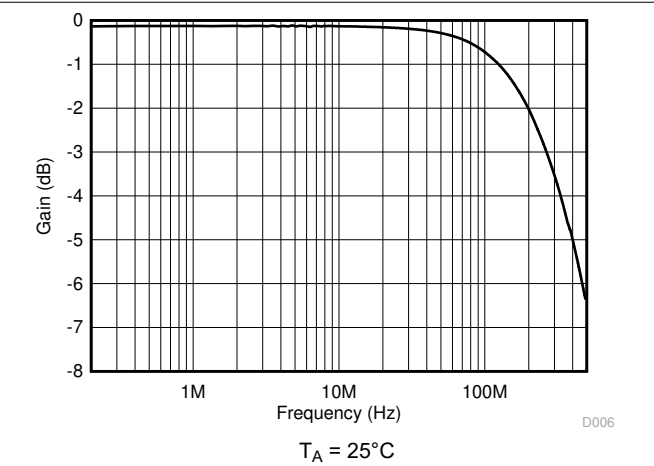


图 5-4. Frequency Response

6 Parameter Measurement Information

6.1 On-Resistance

The on-resistance of a device is the ohmic resistance between the source (Sx) and drain (D) pins of the device. The on-resistance varies with input voltage and supply voltage. The symbol R_{ON} is used to denote on-resistance. The measurement setup used to measure R_{ON} is shown in [Figure 6-1](#). Voltage (V) and current (I_{SD}) are measured using this setup, and R_{ON} is computed with $R_{ON} = V / I_{SD}$:

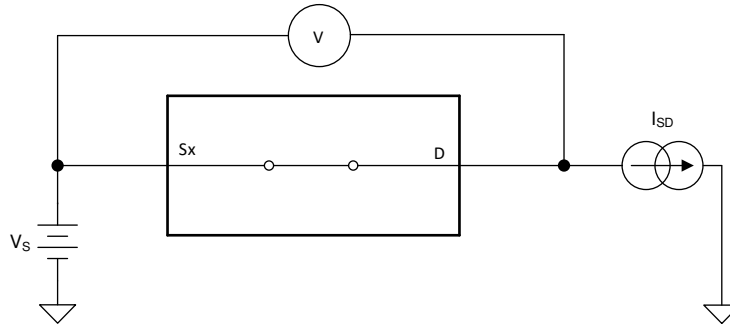


Figure 6-1. On-Resistance Measurement Setup

6.2 Off-Leakage Current

Source leakage current is defined as the leakage current flowing into or out of the source pin when the switch is off. This current is denoted by the symbol $I_{S(OFF)}$.

The setup used to measure off-leakage current is shown in [Figure 6-2](#).

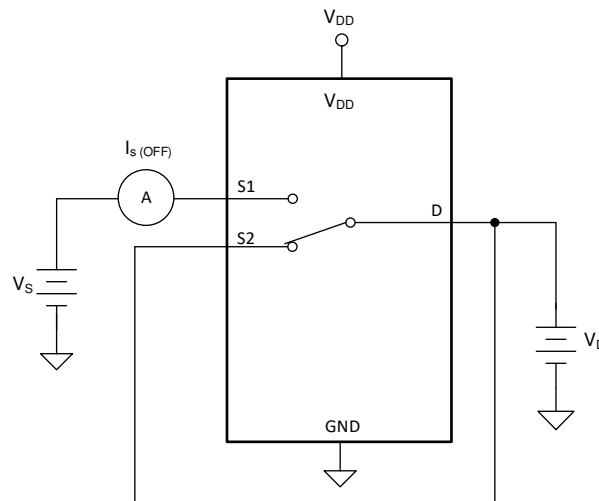



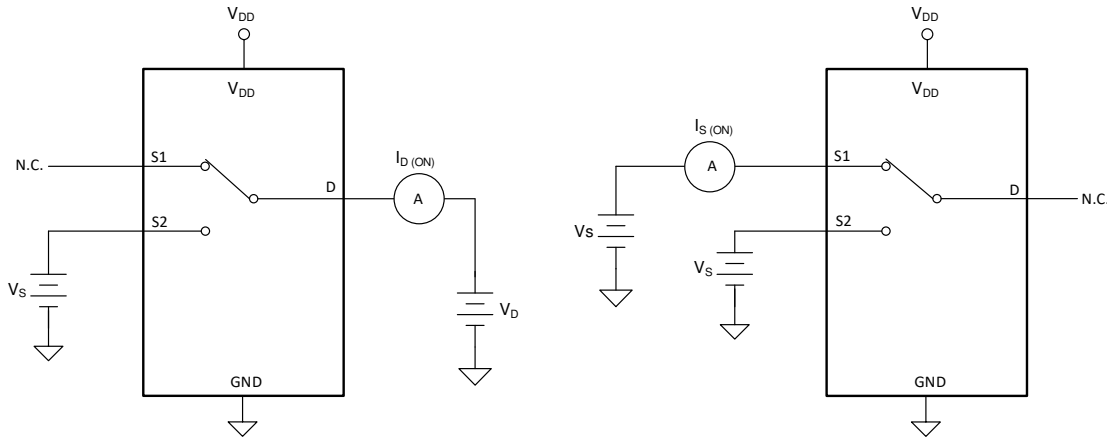
Figure 6-2. Off-Leakage Measurement Setup

6.3 On-Leakage Current

Source on-leakage current is defined as the leakage current flowing into or out of the source pin when the switch is on. This current is denoted by the symbol $I_{S(ON)}$.


Drain on-leakage current is defined as the leakage current flowing into or out of the drain pin when the switch is on. This current is denoted by the symbol $I_{D(ON)}$.

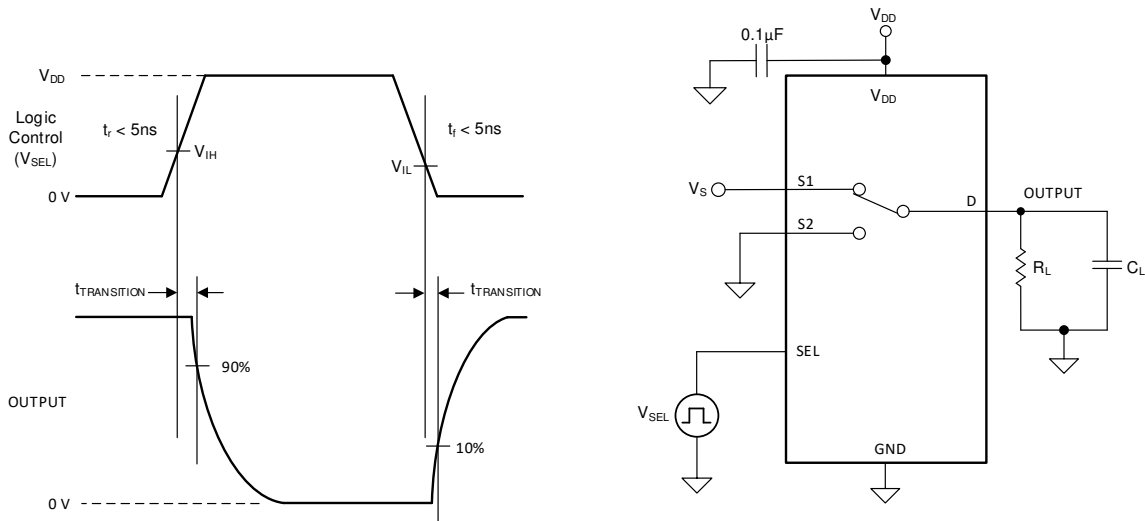
Either the source pin or drain pin is left floating during the measurement.  6-3 shows the circuit used for measuring the on-leakage current, denoted by $I_{S(ON)}$ or $I_{D(ON)}$.



 6-3. On-Leakage Measurement Setup


6.4 Transition Time

Transition time is defined as the time taken by the output of the device to rise or fall 10% after the logic control signal has risen or fallen past the logic threshold. The 10% transition measurement is utilized to provide the timing of the device. System level timing can then account for the time constant added from the load resistance and load capacitance.  6-4 shows the setup used to measure transition time, denoted by the symbol $t_{TRANSITION}$.



 6-4. Transition-Time Measurement Setup

6.5 Break-Before-Make

Break-before-make delay is a safety feature that prevents two inputs from connecting when the device is switching. The output first breaks from the on-state switch before making the connection with the next on-state switch. The time delay between the *break* and the *make* is known as break-before-make delay.  6-5 shows the setup used to measure break-before-make delay, denoted by the symbol $t_{OPEN(BBM)}$.

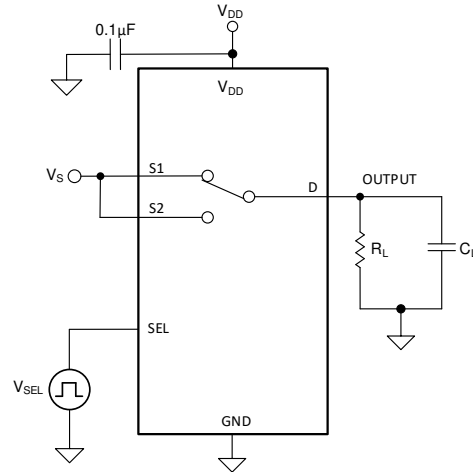
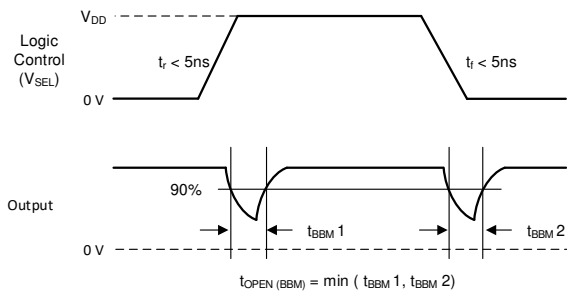


图 6-5. Break-Before-Make Delay Measurement Setup

6.6 Charge Injection

The SN4599-Q1 has a transmission-gate topology. Any mismatch in capacitance between the NMOS and PMOS transistors results in a charge injected into the drain or source during the falling or rising edge of the gate signal. The amount of charge injected into the source or drain of the device is known as charge injection, and is denoted by the symbol Q_C . 图 6-6 shows the setup used to measure charge injection from Drain (D) to Source (S_x).

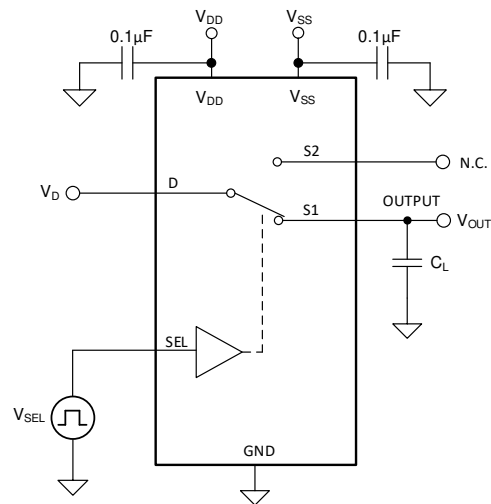
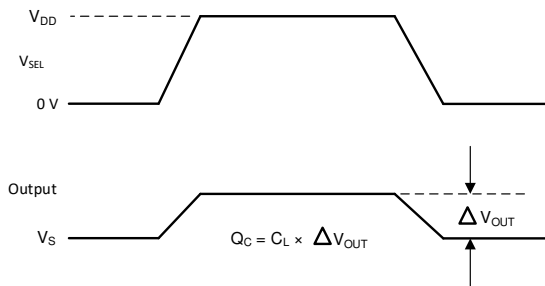


图 6-6. Charge-Injection Measurement Setup

6.7 Off Isolation

Off isolation is defined as the ratio of the signal at the drain pin (D) of the device when a signal is applied to the source pin (S_x) of an off-channel. 图 6-7 shows the setup used to measure, and the equation used to calculate off isolation.

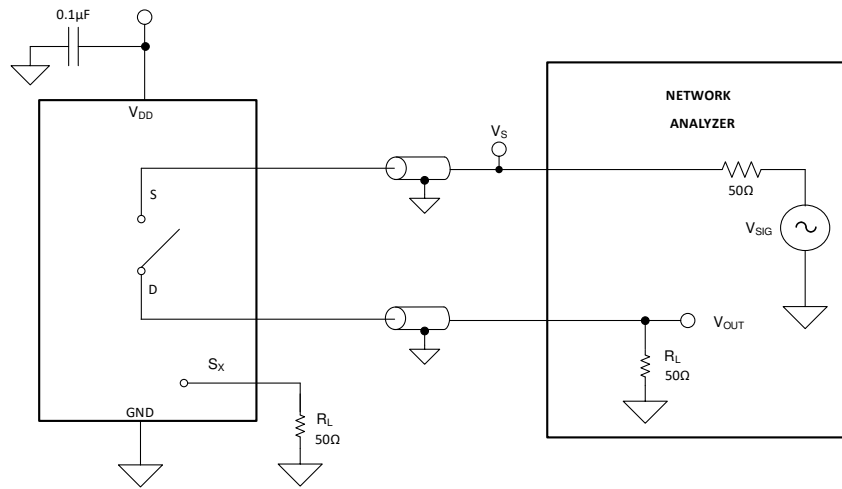


图 6-7. Off Isolation Measurement Setup

$$Off\ Isolation = 20 \times \text{Log} \left(\frac{V_{OUT}}{V_S} \right) \tag{1}$$

6.8 Crosstalk

Crosstalk is defined as the ratio of the signal at the drain pin (D) of a different channel, when a signal is applied at the source pin (Sx) of an on-channel. 图 6-8 shows the setup used to measure, and the equation used to calculate crosstalk.

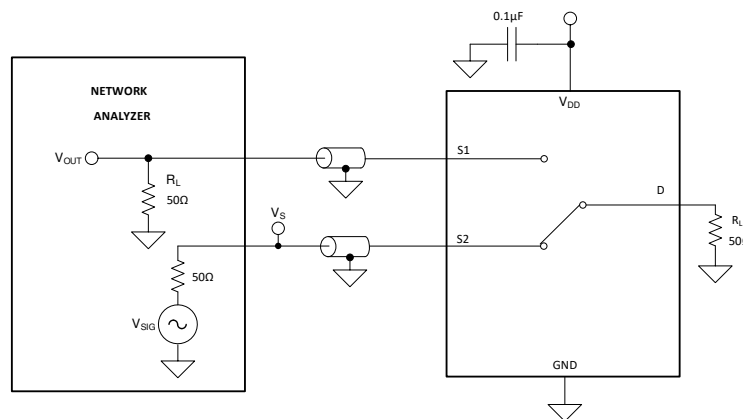


图 6-8. Crosstalk Measurement Setup

$$Channel - to - Channel\ Crosstalk = 20 \times \text{Log} \left(\frac{V_{OUT}}{V_S} \right) \tag{2}$$

6.9 Bandwidth

Bandwidth is defined as the range of frequencies that are attenuated by less than 3 dB when the input is applied to the source pin (Sx) of an on-channel, and the output is measured at the drain pin (D) of the device. [Figure 6-9](#) shows the setup used to measure bandwidth.

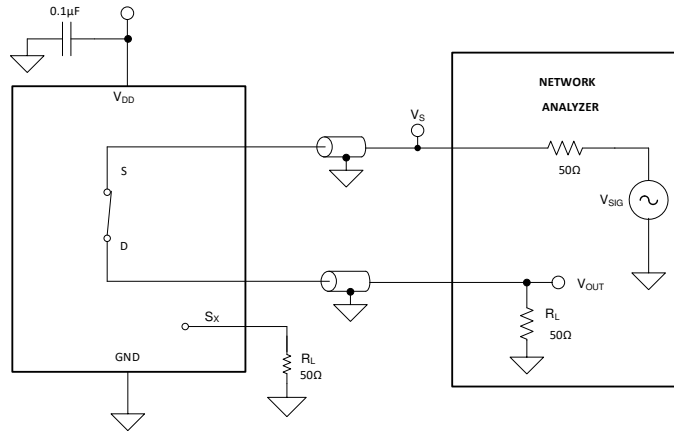


Figure 6-9. Bandwidth Measurement Setup

7 Detailed Description

7.1 Functional Block Diagram

The SN4599-Q1 is an 2:1 (SPDT), 1-channel switch where the input is controlled with a single select (SEL) control pin.

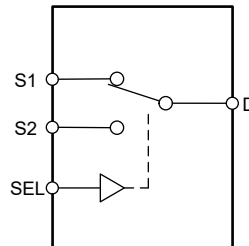


図 7-1. SN4599-Q1 Functional Block Diagram

7.2 Feature Description

7.2.1 Bidirectional Operation

The SN4599-Q1 conducts equally well from source (Sx) to drain (D) or from drain (D) to source (Sx). The device has very similar characteristics in both directions and supports both analog and digital signals.

7.2.2 Rail to Rail Operation

The valid signal path input/output voltage for SN4599-Q1 ranges from GND to V_{DD} .

7.2.3 Fail-Safe Logic

The SN4599-Q1 supports Fail-Safe Logic on the control input pin (SEL) allowing for operation up to 5.5V, regardless of the state of the supply pin. This feature allows voltages on the control pin to be applied before the supply pin, protecting the device from potential damage. Fail-Safe Logic minimizes system complexity by removing the need for power supply sequencing on the logic control pins. For example, the Fail-Safe Logic feature allows the select pin of the SN4599-Q1 to be ramped to 5.5V while $V_{DD} = 0V$. Additionally, the feature enables operation of the SN4599-Q1 with $V_{DD} = 2V$ while allowing the select pin to interface with a logic level of another device up to 5.5V.

7.3 Device Functional Modes

The select (SEL) pin of the SN4599-Q1 controls which source channel is connected to the drain of the device. When a signal path is not selected, that source pin is in high impedance mode (HI-Z). The control pin can be as high as 5.5V.

7.4 Truth Tables

表 7-1. SN4599-Q1 Truth Table

CONTROL LOGIC (SEL)	Selected Source (Sx) Connected To Drain (D) Pin
0	S1
1	S2

8 Application and Implementation

注

以下のアプリケーション情報は、テキサス・インスツルメンツの製品仕様に含まれるものではなく、テキサス・インスツルメンツはその正確性も完全性も保証いたしません。個々の目的に対する製品の適合性については、お客様の責任で判断していただくことになります。また、お客様は自身の設計実装を検証しテストすることで、システムの機能を確認する必要があります。

8.1 Application Information

SN4599-Q1 offers good system performance across a wide operating supply (2V to 5.5V). Additionally, the control input pin supports Fail-Safe Logic which allows for operation up to 5.5V, regardless of the state of the supply pin. This protection stops the logic pins from back-powering the supply rail. These features of the SN4599-Q1 general purpose multiplexer, reduce system complexity, board size, and overall system cost.

8.2 Typical Application

8.2.1 Switchable Operational Amplifier Gain Setting

One example application of the SN4599-Q1 is to change an Op Amp from unity gain setting to an inverting amplifier configuration. Utilizing a switch allows a system to have a configurable gain and allows the same architecture to be utilized across the board for various inputs to the system. [図 8-1](#) shows the SN4599-Q1 configured for gain setting application.

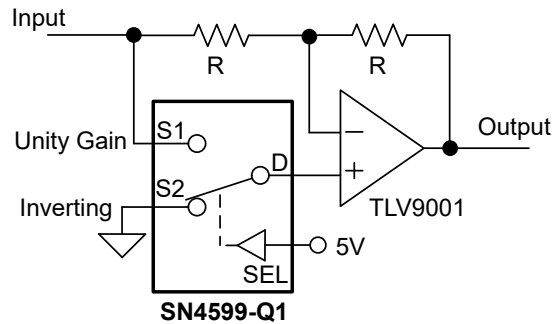


図 8-1. Switchable Op Amp Gain Setting

8.2.1.1 Design Requirements

This design example uses the parameters listed in [表 8-1](#).

表 8-1. Design Parameters

PARAMETERS	VALUES
Input Signal	0V to 3.3V
Mux Supply (V_{DD})	3.3V
Op Amp Supply (V_{+}/V_{-})	$\pm 3.3V$
Mux I/O signal range	0V to V_{DD} (Rail to Rail)
Control logic thresholds	2.31V up to 5.5V

8.2.1.2 Detailed Design Procedure

The application shown in [図 8-1](#) demonstrates how to use a single control input and toggle between gain settings of -1 and +1. If switching between inverting and unity gain is not required, then the SN4599-Q1 can be utilized in the feedback path to select different feedback resistors and provide scalable gain settings for configurable signal conditioning.

The SN4599-Q1 can operate without any external components except for the supply decoupling capacitors. It is recommended to have a weak pull-down or pull-up resistor so that the input of the select pin is in a known state. All inputs to the switch must fall within the recommend operating conditions of the SN4599-Q1 including signal range and continuous current. For this design with a supply of 3.3V, the signal range can be 0V to 3.3V and the maximum continuous current can be 30mA.

8.2.1.3 Application Curve

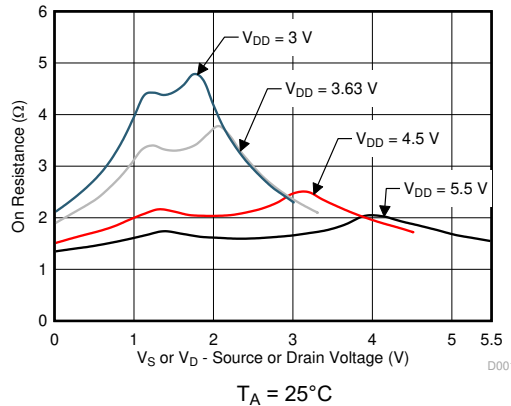


图 8-2. On-Resistance vs Source or Drain Voltage

8.2.2 Input Control for Power Amplifier

Another application of the SN4599-Q1 is for input control of a power amplifier. Utilizing a switch allows a system to control when the DAC is connected to the power amplifier, and can stop biasing the power amplifier by switching the gate to GND. 图 8-3 shows the SN4599-Q1 configured for control of the power amplifier.

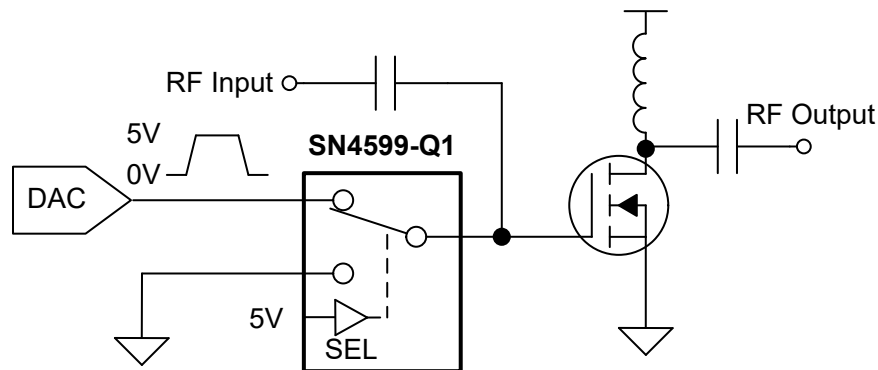


图 8-3. Input Control of Power Amplifier

8.2.2.1 Design Requirements

This design example uses the parameters listed in 表 8-1.

表 8-2. Design Parameters

PARAMETERS	VALUES
Supply (V_{DD})	5V
Mux I/O signal range	0V to V_{DD} (Rail to Rail)
Control logic thresholds	Up to 5.5V

8.2.2.2 Detailed Design Procedure

The application shown in [Figure 8-3](#) demonstrates how to toggle between the DAC output and GND to control a power amplifier using a single control input. The DAC output is utilized to bias the gate of the power amplifier and can be disconnected from the circuit using the select pin of the switch.

The SN4599-Q1 can operate without any external components except for the supply decoupling capacitors. It is recommended to have a weak pull-down or pull-up resistor so that the input of the select pin is in a known state. All inputs to the switch must fall within the recommend operating conditions of the SN4599-Q1 including signal range and continuous current. For this design with a supply of 5V, the signal range can be 0V to 5V and the maximum continuous current can be 30mA.

8.2.2.3 Application Curve

A key parameter for this application is the transition time of the device. Faster transition time allows the system to toggle between input sources at a faster rate and allows the output to settle to the final value. The SN4599-Q1 has a transition time that varies with supply voltage and is shown in [Figure 8-4](#)

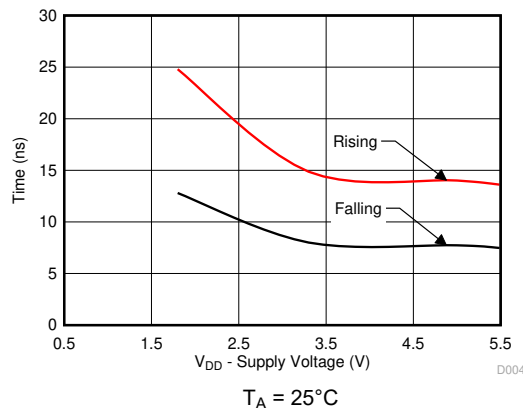


Figure 8-4. $T_{\text{transition}}$ vs Supply Voltage

8.3 Power Supply Recommendations


The SN4599-Q1 operates across a wide supply range of 2V to 5.5V. Do not exceed the absolute maximum ratings because stresses beyond the listed ratings can cause permanent damage to the devices.

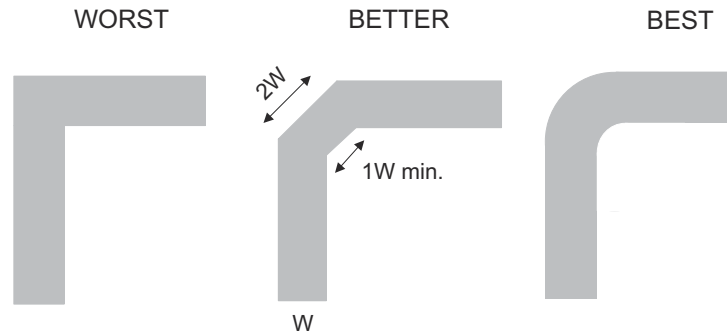
Power-supply bypassing improves noise margin and prevents switching noise propagation from the V_{DD} supply to other components. Good power-supply decoupling is important to achieve optimum performance. For improved supply noise immunity, use a supply decoupling capacitor ranging from 0.1 μ F to 10 μ F from V_{DD} to ground. Place the bypass capacitors as close to the power supply pins of the device as possible using low-impedance connections. TI recommends using multi-layer ceramic chip capacitors (MLCCs) that offer low equivalent series resistance (ESR) and inductance (ESL) characteristics for power-supply decoupling purposes. For very sensitive systems, or for systems in harsh noise environments, avoiding the use of vias for connecting the capacitors to the device pins may offer superior noise immunity. The use of multiple vias in parallel lowers the overall inductance and is beneficial for connections to ground planes.

8.4 Layout

8.4.1 Layout Guidelines


When a PCB trace turns a corner at a 90° angle, a reflection can occur. A reflection occurs primarily because of the change of width of the trace. At the apex of the turn, the trace width increases to 1.414 times the width. This increase upsets the transmission-line characteristics, especially the distributed capacitance and self-inductance of the trace which results in the reflection. Not all PCB traces can be straight and therefore some traces must

turn corners.  8-5 shows progressively better techniques of rounding corners. Only the last example (BEST) maintains constant trace width and minimizes reflections.



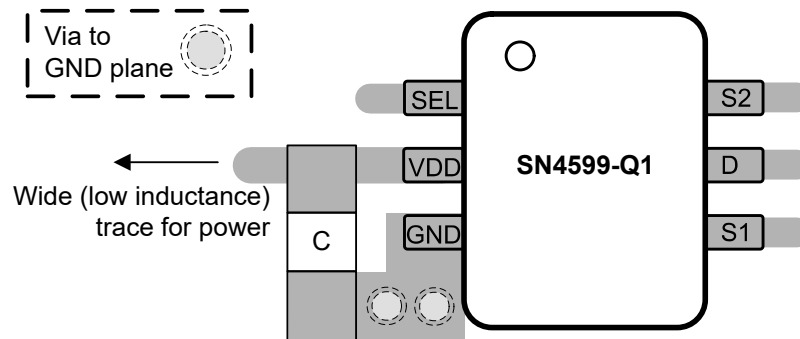
 8-5. Trace Example


Route high-speed signals using a minimum of vias and corners which reduces signal reflections and impedance changes. When a via must be used, increase the clearance size around it to minimize its capacitance. Each via introduces discontinuities in the signal's transmission line and increases the chance of picking up interference from the other layers of the board. Be careful when designing test points, through-hole pins are not recommended at high frequencies.

 8-6 shows an example of a PCB layout with the SN4599-Q1. Some key considerations are:

- Decouple the V_{DD} pin with a $0.1\mu\text{F}$ capacitor, placed as close to the pin as possible. Make sure that the capacitor voltage rating is sufficient for the V_{DD} supply.
- Keep the input lines as short as possible.
- Use a solid ground plane to help reduce electromagnetic interference (EMI) noise pickup.
- Do not run sensitive analog traces in parallel with digital traces. Avoid crossing digital and analog traces if possible, and only make perpendicular crossings when necessary.

8.4.2 Layout Example



 8-6. SN4599-Q1 Layout Example

9 Device and Documentation Support

9.1 Documentation Support

9.1.1 Related Documentation

For related documentation, see the following:

- Texas Instruments, [Improve Stability Issues with Low CON Multiplexers](#) .
- Texas Instruments, [Eliminate Power Sequencing with Powered-off Protection Signal Switches](#) .
- Texas Instruments, [System-Level Protection for High-Voltage Analog Multiplexers](#) .

9.2 ドキュメントの更新通知を受け取る方法

ドキュメントの更新についての通知を受け取るには、www.tij.co.jp のデバイス製品フォルダを開いてください。[通知] をクリックして登録すると、変更されたすべての製品情報に関するダイジェストを毎週受け取ることができます。変更の詳細については、改訂されたドキュメントに含まれている改訂履歴をご覧ください。

9.3 サポート・リソース

テキサス・インスツルメンツ E2E™ サポート・フォーラムは、エンジニアが検証済みの回答と設計に関するヒントをエキスパートから迅速かつ直接得ることができる場所です。既存の回答を検索したり、独自の質問をしたりすることで、設計に必要な支援を迅速に得ることができます。

リンクされているコンテンツは、各寄稿者により「現状のまま」提供されるものです。これらはテキサス・インスツルメンツの仕様を構成するものではなく、必ずしもテキサス・インスツルメンツの見解を反映したものではありません。テキサス・インスツルメンツの[使用条件](#)を参照してください。

9.4 Trademarks

テキサス・インスツルメンツ E2E™ is a trademark of Texas Instruments.

すべての商標は、それぞれの所有者に帰属します。

9.5 静電気放電に関する注意事項



この IC は、ESD によって破損する可能性があります。テキサス・インスツルメンツは、IC を取り扱う際には常に適切な注意を払うことを推奨します。正しい取り扱いおよび設置手順に従わない場合、デバイスを破損するおそれがあります。

ESD による破損は、わずかな性能低下からデバイスの完全な故障まで多岐にわたります。精密な IC の場合、パラメータがわずかに変化するだけで公表されている仕様から外れる可能性があるため、破損が発生しやすくなっています。

9.6 用語集

[テキサス・インスツルメンツ用語集](#) この用語集には、用語や略語の一覧および定義が記載されています。

10 Revision History

資料番号末尾の英字は改訂を表しています。その改訂履歴は英語版に準じています。

Changes from Revision * (April 2024) to Revision A (July 2024)

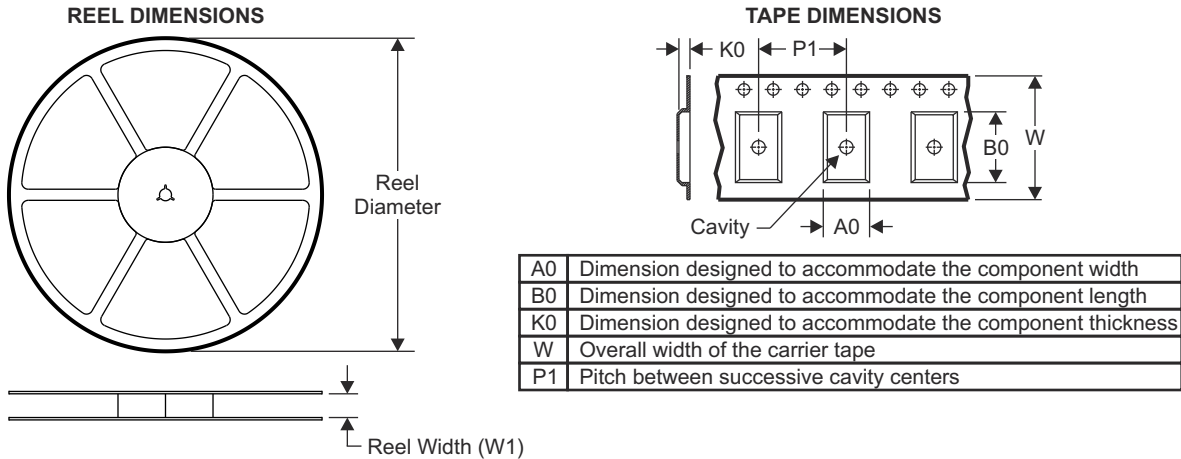
Page

- | Changes from Revision * (April 2024) to Revision A (July 2024) | Page |
|--|------|
| • ドキュメントのステータスを「事前情報」から「量産データ」に変更..... | 1 |

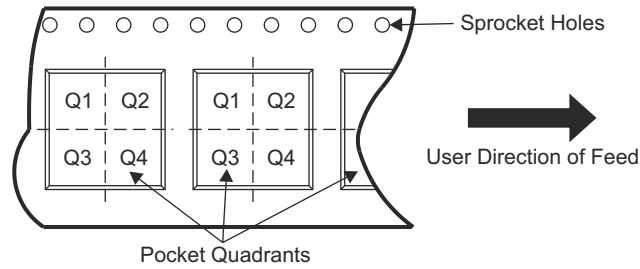
11 Mechanical, Packaging, and Orderable Information

The following pages include mechanical, packaging, and orderable information. This information is the most current data available for the designated devices. This data is subject to change without notice and revision of this document. For browser-based versions of this data sheet, refer to the left-hand navigation.

11.1 Tape and Reel Information

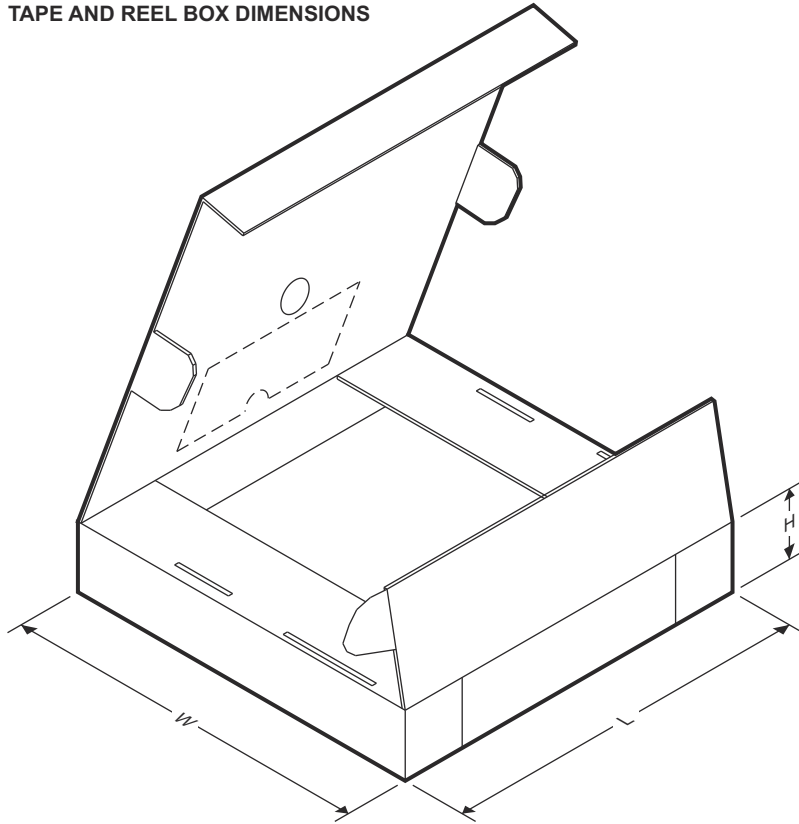


QUADRANT ASSIGNMENTS FOR PIN 1 ORIENTATION IN TAPE



Device	Package Type	Package Drawing	Pins	SPQ	Reel Diameter (mm)	Reel Width W1 (mm)	A0 (mm)	B0 (mm)	K0 (mm)	P1 (mm)	W (mm)	Pin1 Quadrant
SN4599DBVRQ1	SOT-23	DBV	6	3000	178	9	2.4	2.5	1.2	4	8	Q3

TAPE AND REEL BOX DIMENSIONS



Device	Package Type	Package Drawing	Pins	SPQ	Length (mm)	Width (mm)	Height (mm)
SN4599DBVRQ1	SOT-23	DBV	6	3000	180	180	18

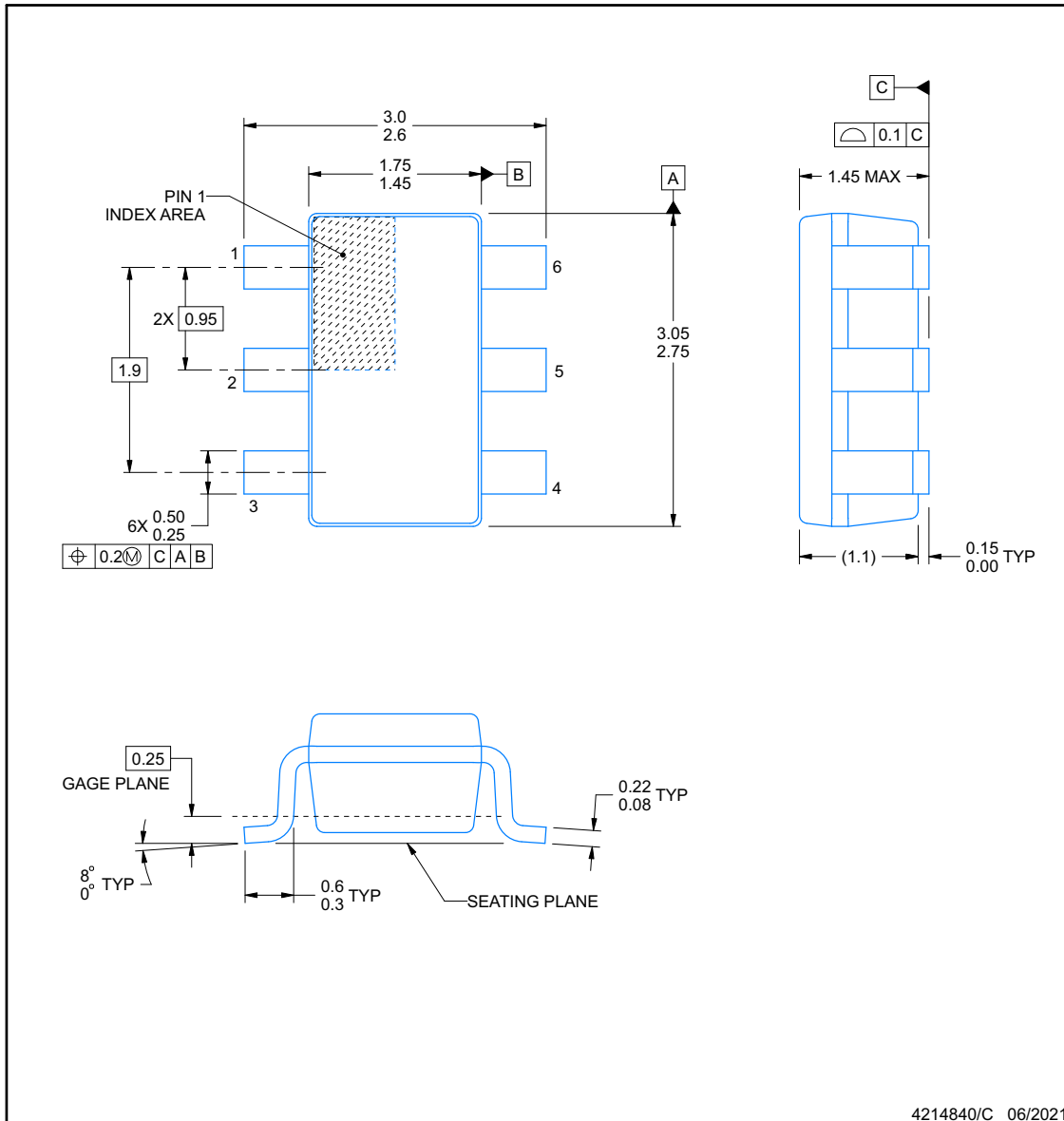
11.2 Mechanical Data



DBV0006A

PACKAGE OUTLINE
SOT-23 - 1.45 mm max height

SMALL OUTLINE TRANSISTOR



NOTES:

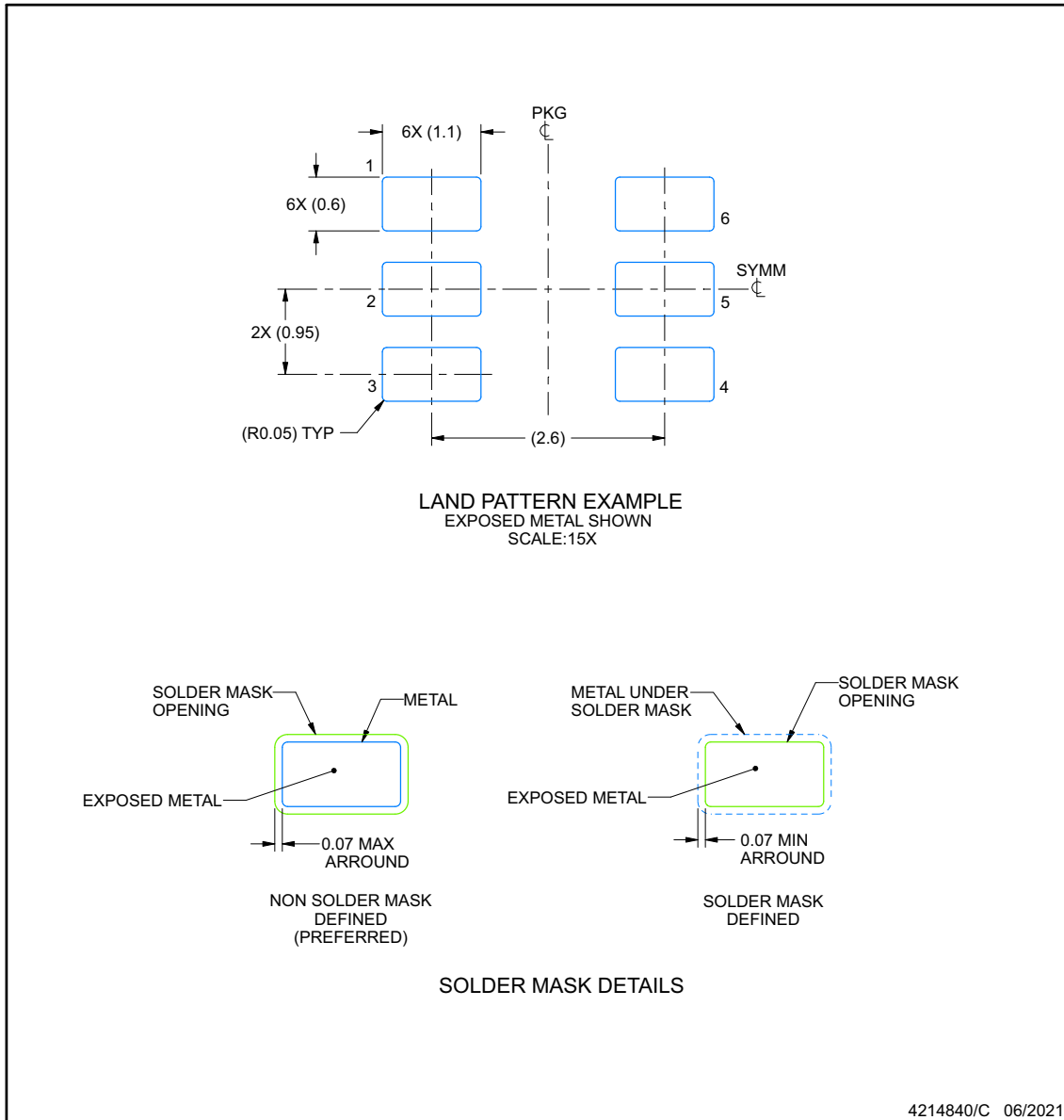
1. All linear dimensions are in millimeters. Any dimensions in parenthesis are for reference only. Dimensioning and tolerancing per ASME Y14.5M.
2. This drawing is subject to change without notice.
3. Body dimensions do not include mold flash or protrusion. Mold flash and protrusion shall not exceed 0.25 per side.
4. Leads 1,2,3 may be wider than leads 4,5,6 for package orientation.
5. Reference JEDEC MO-178.

EXAMPLE BOARD LAYOUT

DBV0006A

SOT-23 - 1.45 mm max height

SMALL OUTLINE TRANSISTOR



NOTES: (continued)

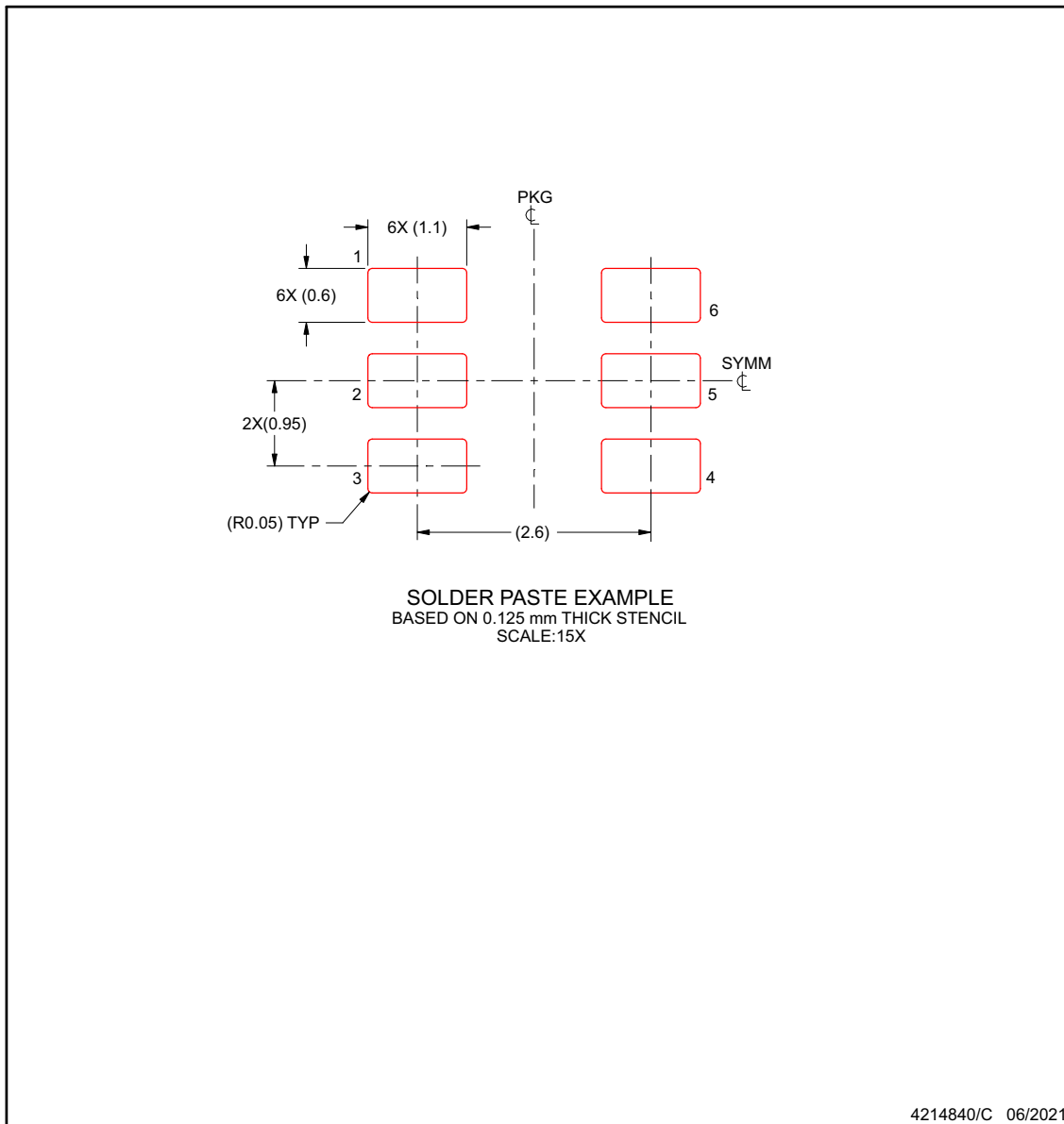
- 6. Publication IPC-7351 may have alternate designs.
- 7. Solder mask tolerances between and around signal pads can vary based on board fabrication site.

EXAMPLE STENCIL DESIGN

DBV0006A

SOT-23 - 1.45 mm max height

SMALL OUTLINE TRANSISTOR



NOTES: (continued)

- 8. Laser cutting apertures with trapezoidal walls and rounded corners may offer better paste release. IPC-7525 may have alternate design recommendations.
- 9. Board assembly site may have different recommendations for stencil design.

重要なお知らせと免責事項

テキサス・インスツルメンツは、技術データと信頼性データ (データシートを含みます)、設計リソース (リファレンス デザインを含みます)、アプリケーションや設計に関する各種アドバイス、Web ツール、安全性情報、その他のリソースを、欠陥が存在する可能性のある「現状のまま」提供しており、商品性および特定目的に対する適合性の黙示保証、第三者の知的財産権の非侵害保証を含むいかなる保証も、明示的または黙示的にかかわらず拒否します。

これらのリソースは、テキサス・インスツルメンツ製品を使用する設計の経験を積んだ開発者への提供を意図したものです。(1) お客様のアプリケーションに適した テキサス・インスツルメンツ製品の選定、(2) お客様のアプリケーションの設計、検証、試験、(3) お客様のアプリケーションに該当する各種規格や、その他のあらゆる安全性、セキュリティ、規制、または他の要件への確実な適合に関する責任を、お客様のみが単独で負うものとします。

上記の各種リソースは、予告なく変更される可能性があります。これらのリソースは、リソースで説明されている テキサス・インスツルメンツ製品を使用するアプリケーションの開発の目的でのみ、テキサス・インスツルメンツはその使用をお客様に許諾します。これらのリソースに関して、他の目的で複製することや掲載することは禁止されています。テキサス・インスツルメンツや第三者の知的財産権のライセンスが付与されている訳ではありません。お客様は、これらのリソースを自身で使用した結果発生するあらゆる申し立て、損害、費用、損失、責任について、テキサス・インスツルメンツおよびその代理人を完全に補償するものとし、テキサス・インスツルメンツは一切の責任を拒否します。

テキサス・インスツルメンツの製品は、[テキサス・インスツルメンツの販売条件](#)、または [ti.com](https://www.ti.com) やかかる テキサス・インスツルメンツ製品の関連資料などのいずれかを通じて提供する適用可能な条項の下で提供されています。テキサス・インスツルメンツがこれらのリソースを提供することは、適用されるテキサス・インスツルメンツの保証または他の保証の放棄の拡大や変更を意味するものではありません。

お客様がいかなる追加条項または代替条項を提案した場合でも、テキサス・インスツルメンツはそれらに異議を唱え、拒否します。

郵送先住所: Texas Instruments, Post Office Box 655303, Dallas, Texas 75265

Copyright © 2024, Texas Instruments Incorporated

PACKAGING INFORMATION

Orderable part number	Status (1)	Material type (2)	Package Pins	Package qty Carrier	RoHS (3)	Lead finish/ Ball material (4)	MSL rating/ Peak reflow (5)	Op temp (°C)	Part marking (6)
SN4599DBVRQ1	Active	Production	SOT-23 (DBV) 6	3000 LARGE T&R	Yes	NIPDAU	Level-1-260C-UNLIM	-40 to 125	3GTT
SN4599DBVRQ1.A	Active	Production	SOT-23 (DBV) 6	3000 LARGE T&R	Yes	NIPDAU	Level-1-260C-UNLIM	-40 to 125	3GTT

(1) **Status:** For more details on status, see our [product life cycle](#).

(2) **Material type:** When designated, preproduction parts are prototypes/experimental devices, and are not yet approved or released for full production. Testing and final process, including without limitation quality assurance, reliability performance testing, and/or process qualification, may not yet be complete, and this item is subject to further changes or possible discontinuation. If available for ordering, purchases will be subject to an additional waiver at checkout, and are intended for early internal evaluation purposes only. These items are sold without warranties of any kind.

(3) **RoHS values:** Yes, No, RoHS Exempt. See the [TI RoHS Statement](#) for additional information and value definition.

(4) **Lead finish/Ball material:** Parts may have multiple material finish options. Finish options are separated by a vertical ruled line. Lead finish/Ball material values may wrap to two lines if the finish value exceeds the maximum column width.

(5) **MSL rating/Peak reflow:** The moisture sensitivity level ratings and peak solder (reflow) temperatures. In the event that a part has multiple moisture sensitivity ratings, only the lowest level per JEDEC standards is shown. Refer to the shipping label for the actual reflow temperature that will be used to mount the part to the printed circuit board.

(6) **Part marking:** There may be an additional marking, which relates to the logo, the lot trace code information, or the environmental category of the part.

Multiple part markings will be inside parentheses. Only one part marking contained in parentheses and separated by a "~" will appear on a part. If a line is indented then it is a continuation of the previous line and the two combined represent the entire part marking for that device.

Important Information and Disclaimer: The information provided on this page represents TI's knowledge and belief as of the date that it is provided. TI bases its knowledge and belief on information provided by third parties, and makes no representation or warranty as to the accuracy of such information. Efforts are underway to better integrate information from third parties. TI has taken and continues to take reasonable steps to provide representative and accurate information but may not have conducted destructive testing or chemical analysis on incoming materials and chemicals. TI and TI suppliers consider certain information to be proprietary, and thus CAS numbers and other limited information may not be available for release.

In no event shall TI's liability arising out of such information exceed the total purchase price of the TI part(s) at issue in this document sold by TI to Customer on an annual basis.

重要なお知らせと免責事項

TI は、技術データと信頼性データ(データシートを含みます)、設計リソース(リファレンス デザインを含みます)、アプリケーションや設計に関する各種アドバイス、Web ツール、安全性情報、その他のリソースを、欠陥が存在する可能性のある「現状のまま」提供しており、商品性および特定目的に対する適合性の黙示保証、第三者の知的財産権の非侵害保証を含むいかなる保証も、明示的または黙示的にかかわらず拒否します。

これらのリソースは、TI 製品を使用する設計の経験を積んだ開発者への提供を意図したものです。(1) お客様のアプリケーションに適した TI 製品の選定、(2) お客様のアプリケーションの設計、検証、試験、(3) お客様のアプリケーションに該当する各種規格や、その他のあらゆる安全性、セキュリティ、規制、または他の要件への確実な適合に関する責任を、お客様のみが単独で負うものとし、

上記の各種リソースは、予告なく変更される可能性があります。これらのリソースは、リソースで説明されている TI 製品を使用するアプリケーションの開発の目的でのみ、TI はその使用をお客様に許諾します。これらのリソースに関して、他の目的で複製することや掲載することは禁止されています。TI や第三者の知的財産権のライセンスが付与されている訳ではありません。お客様は、これらのリソースを自身で使用した結果発生するあらゆる申し立て、損害、費用、損失、責任について、TI およびその代理人を完全に補償するものとし、TI は一切の責任を拒否します。

TI の製品は、[TI の販売条件](#)、[TI の総合的な品質ガイドライン](#)、[ti.com](#) または TI 製品などに関連して提供される他の適用条件に従い提供されます。TI がこれらのリソースを提供することは、適用される TI の保証または他の保証の放棄の拡大や変更を意味するものではありません。TI がカスタム、またはカスタマー仕様として明示的に指定していない限り、TI の製品は標準的なカタログに掲載される汎用機器です。

お客様がいかなる追加条項または代替条項を提案する場合も、TI はそれらに異議を唱え、拒否します。

Copyright © 2025, Texas Instruments Incorporated

最終更新日：2025 年 10 月