

SN65HVDA100-Q1 LIN の物理インターフェイス

1 特長

- 車載アプリケーション用に AEC-Q100 (グレード 1) 認定済み
- LIN 2.0、LIN 2.1、LIN 2.2、LIN 2.2A、ISO/DIS 17987-4 電氣的物理層 (EPL) 仕様に準拠
- 電源電圧: DC 5V~27V
- 最大 20kbps (LIN で規定された最大値) の LIN 送信速度、高速受信に対応
- スリープ・モード: 超低消費電流で、次のウェイクアップ・イベントに対応
 - LIN バス
 - EN によるウェイクアップ
- RXD ピンでのウェイクアップ要求
- TXD ピンでのウェイクアップ源認識
- 5V または 3.3V I/O ピンを使って MCU と接続
- 優れた電磁両立性 (EMC)
- 外部電圧レギュレータの制御 (INH ピン)
- ISO9141 (K-LINE) をサポート
- ±12kV (人体モデル) までの ESD 保護 (LIN ピン)
- -27V~45V の電圧 (バッテリーまたはグラウンドへの短絡) に対応 (LIN ピン)
- 車載環境での過渡的なストレス (ISO 7637) に耐える。
- V_{SUP} の低電圧保護
- TXD ドミナント状態タイムアウト保護
- 誤ウェイクアップ誤動作防止機能
- サーマル・シャットダウン
- 電源なしノードまたはグラウンド切断に対するシステム・レベルのフェイルセーフ。ノードはバスに影響を及ぼさない (バスに負荷をかけない)。

2 アプリケーション

- 車載用
- [産業用センシング](#)
- 大型家電製品の分散制御

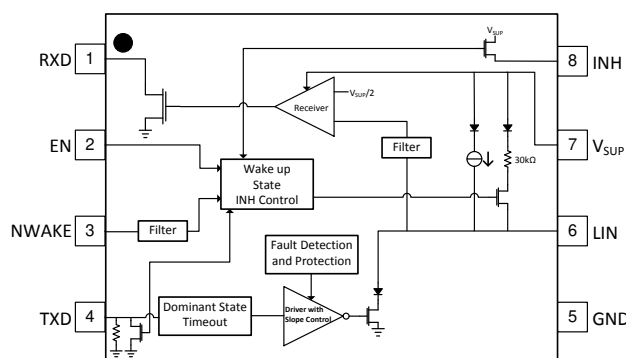
3 概要

SN65HVDA100-Q1 デバイスは LIN (Local Interconnect Network) 物理インターフェイスであり、このインターフェイスはウェイクアップおよび保護機能付きシリアル・トランシーバを内蔵しています。LIN バスとは、2.4kbps~20kbps のデータ・レートを使った低速車載ネットワークで一般に使用されている単線式双方向バスです。LIN 物理層仕様と ISO 17987 で規定されているように、TXD 上の LIN プロトコル出力データ・ストリームは、SN65HVDA100-Q1 によって電流制限波形整形ドライバを通して LIN バス信号に変換されます。本レシーバは LIN バスからのデータ・ストリームを変換し、RXD 経由でデータ・ストリームを出力します。LIN バスには、ドミナント状態 (グラウンドに近い電圧) とリセッティブ状態 (バッテリーに近い電圧) という 2 つの状態があります。リセッティブ状態では、LIN バスは内部プルアップ抵抗 (30kΩ) と直列ダイオードによって HIGH にプルアップされるため、レスポンス用途では外付けプルアップ部品は不要です。コマンド用途では、LIN 仕様に従って外付けプルアップ抵抗 (1kΩ) と直列ダイオードが必要です。

製品情報

部品番号	パッケージ ⁽¹⁾	本体サイズ (公称)
SN65HVDA100-Q1	SOIC (8)	4.90mm × 3.91mm

(1) 利用可能なパッケージについては、このデータシートの末尾にある注文情報を参照してください。



SN65HVDA100-Q1 のブロック図



Table of Contents

1 特長	1	9.3 Feature Description.....	14
2 アプリケーション	1	9.4 Device Functional Modes.....	18
3 概要	1	10 Application and Implementation	21
4 概要 (続き)	2	10.1 Application Information.....	21
5 Revision History	3	10.2 Typical Application.....	21
6 Pin Configuration and Functions	4	11 Power Supply Recommendations	22
7 Specifications	5	12 Layout	23
7.1 Absolute Maximum Ratings ^{(1) (2)}	5	12.1 Layout Guidelines.....	23
7.2 ESD Ratings.....	5	12.2 Layout Example.....	24
7.3 Recommended Operating Conditions.....	5	13 Device and Documentation Support	25
7.4 Thermal Information.....	6	13.1 Documentation Support.....	25
7.5 Electrical Characteristics.....	6	13.2 Receiving Notification of Documentation Updates.....	25
7.6 Switching Characteristics.....	8	13.3 サポート・リソース.....	25
7.7 Dissipation Ratings.....	9	13.4 Trademarks.....	25
7.8 Typical Characteristics.....	12	13.5 Electrostatic Discharge Caution.....	25
8 Parameter Measurement Information	13	13.6 Glossary.....	25
9 Detailed Description	14	14 Mechanical, Packaging, and Orderable Information	25
9.1 Overview.....	14		
9.2 Functional Block Diagram.....	14		

4 概要 (続き)

ウェイクアップ回路がアクティブ状態に維持されており、LIN バスによるリモート・ウェイクアップまたは、NWAKE または EN ピンによるローカル・ウェイクアップが可能であるとしても、スリープ・モードでは低静止電流が求められます。

SN65HVDA100-Q1 は、過酷な車載用環境で動作するよう設計されています。このデバイスでは、グラウンドのシフトまたは電源電圧の切断が発生しても、電流が LIN 経由で電源入力に逆流することはありません。本デバイスは低電圧、過熱、グラウンド喪失保護機能も備えています。フォルト条件が発生した場合、トランスミッタは即座にオフになり、フォルト条件が解消するまでオフに維持されます。

5 Revision History

資料番号末尾の英字は改訂を表しています。その改訂履歴は英語版に準じています。

Changes from Revision C (July 2015) to Revision D (April 2022)	Page
• 「特長」一覧を変更.....	1
• 言及している場合、すべての旧式の用語をコマンドおよびレスポндаに変更.....	1
• Replaced LIN 2.1 with ISO 17987-4 in the Absolute Maximum Ratings table.....	5
• Added HBM and CDM classification levels to the ESD Ratings table.....	5
• Replaced LIN 2.1 with ISO 17987-4 in the Recommended Operating Conditions table.....	5
• Replaced LIN 2.1 with ISO 17987-4 in the Electrical Characteristics table.....	6
• Deleted test Conditions for V_{SUP} in the Electrical Characteristics table.....	6
• Replaced LIN 2.1 with ISO 17987-4 in the Switching Characteristics table.....	8
• Changed the Application hint to a Note in the TXD Dominant State Timeout section.....	16
• Changed the Application hint to a Note in the Standby Mode section.....	19
• Changed the Application hint to a Note in the Mode Transitions section.....	20

Changes from Revision B (January 2014) to Revision C (July 2015)	Page
• 「ピン構成および機能」セクション、「ESD 定格」表、「機能説明」セクション、「デバイスの機能モード」セクション、「アプリケーションと実装」セクション、「電源に関する推奨事項」セクション、「レイアウト」セクション、「デバイスおよびドキュメントのサポート」セクション、「メカニカル、パッケージ、および注文情報」セクションを追加.....	1

Changes from Revision A (January 2013) to Revision B (January 2014)	Page
• Added new Mode Transitions section, including a new figure.....	20
• Revised the application schematic diagram.....	21

Changes from Revision * (November 2011) to Revision A (January 2013)	Page
• Deleted -03V to 45V from the 1.5 row in the abs max table, units column.....	5
• Changed added Delta and corrected Hysteresis in Electrical Characteristics table, row 4.4 and changed the TYP column from 4.5 to 0.2.....	6
• Deleted rows 9.1 and 9.2 from the Electrical Characteristics table.....	6
• Added Minimum to the statement in parens in front of dominant, row 11.9 of the Switching Characteristics table.....	8

6 Pin Configuration and Functions

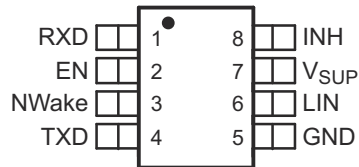


图 6-1. D Package, 8-Pin SOIC
(Top View)

表 6-1. Pin Functions

PIN		TYPE	DESCRIPTION
NAME	NO.		
EN	2	I	Enable input
GND	5	GND	Ground
INH	8	O	Inhibit controls external voltage regulator with inhibit input
LIN	6	I/O	LIN bus single-wire transmitter and receiver
NWake	3	I	High-voltage input for device wake up
RXD	1	O	RXD output (open-drain) interface reporting state of LIN bus voltage
TXD	4	I	TXD input interface to control state of LIN output
V _{SUP}	7	Supply	Device supply voltage (connected to battery in series with external reverse blocking diode)

7 Specifications

7.1 Absolute Maximum Ratings^{(1) (2)}

		MIN	MAX	UNIT	
V _{SUP}	Supply line supply voltage (ISO 17987-4 Param 11)	-0.3	45	V	
V _{LIN}	LIN input voltage	-27	45	V	
V _{NWAKE}	NWake input voltage (through serial resistor ≥ 2 kΩ)	-0.3	45	V	
I _O	Output current	-50	2	mA	
V _{INH}	INH voltage	-0.3	V _{sup} + 0.3	V	
V _{Logic}	Logic pin voltage	RXD, TXD, EN	-0.3	5.5	V
T _A	Operational free-air (ambient) temperature	-40	125	°C	
T _J	Junction temperature	-40	150	°C	
T _{LEAD}	Lead temperature (soldering, 10 seconds)		260	°C	
T _{stg}	Storage temperature	-65	150	°C	

- (1) Stresses beyond those listed under *Absolute Maximum Ratings* may cause permanent damage to the device. These are stress ratings only, which do not imply functional operation of the device at these or any other conditions beyond those indicated under *Recommended Operating Conditions*. Exposure to absolute-maximum-rated conditions for extended periods may affect device reliability.
- (2) All voltage values are with respect to GND.

7.2 ESD Ratings

			VALUE	UNIT	
V _(ESD)	Electrostatic discharge	Human body model (HBM), per AEC Q100-002 ⁽¹⁾	All pins HBM ESD classification level 3A	±4000	V
			LIN bus pin ⁽²⁾ HBM ESD classification level 3B	±12000	
			NWake pin ⁽³⁾ HBM ESD classification level 3B	±11000	
			Charged device model (CDM), per AEC Q100-011 ⁽¹⁾ CDM ESD classification level C6	±1500	

- (1) AEC Q100-002 indicates that HBM stressing shall be in accordance with the ANSI/ESDA/JEDEC JS-001 specification.
- (2) Test method based upon AEC-Q100-002, LIN bus pin stressed with respect to GND.
- (3) Test method based upon AEC-Q100-002, NWake pin stressed with respect to GND.

7.3 Recommended Operating Conditions

		MIN	MAX	UNIT
V _{SUP}	Supply line supply voltage (ISO 17987-4 Param 10)	5	27	V
V _{LIN}	LIN input voltage	0	18	V
V _{NWAKE}	NWake input voltage	0	27	V
V _{INH}	INH voltage	0	27	V
V _{Logic}	Logic voltage	0	5.25	V
T _A	Operational free-air temperature (see セクション 7.4)	-40	125	°C

7.4 Thermal Information

THERMAL METRIC ⁽¹⁾		SN65HVDA100-Q1	
		D (SOIC)	
		8 PINS	
			UNIT
R _{θJA}	Junction-to-ambient thermal resistance	112.5	°C/W
R _{θJC(top)}	Junction-to-case (top) thermal resistance	66.3	°C/W
R _{θJB}	Junction-to-board thermal resistance	52.9	°C/W
ψ _{JT}	Junction-to-top characterization parameter	19.3	°C/W
ψ _{JB}	Junction-to-board characterization parameter	52.4	°C/W

(1) For more information about traditional and new thermal metrics, see the *Semiconductor and IC Package Thermal Metrics* application report, [SPRA953](#).

7.5 Electrical Characteristics

V_{SUP} = 5V to 27 V, T_J = –40°C to 150°C (unless otherwise noted)

PARAMETER		TEST CONDITIONS	MIN	TYP ⁽¹⁾	MAX	UNIT		
V_{SUP} SUPPLY								
V _{SUP}	Operational supply voltage (ISO 17987-4 Param 10) ⁽²⁾		5	14	27	V		
V _{SUP}	Nominal supply voltage (ISO 17987-4 Param 10)	Normal and standby modes	7	14	18	V		
		Sleep mode	7	12	18			
UV _{SUP}	Undervoltage V _{SUP} threshold		4.35		4.65	V		
UV _{HYS}	Delta hysteresis voltage for V _{SUP} undervoltage threshold			0.2		V		
I _{SUP}	Supply current	Normal mode, EN = high, Bus dominant (total bus load where R _{LIN} ≥ 500 Ω and C _{LIN} ≤ 10 nF (see 8-1) ⁽³⁾ , INH = V _{SUP} , NWake = V _{SUP}		1.2	7.5	mA		
		Standby mode, EN = low, Bus dominant (total bus load where R _{LIN} ≥ 500 Ω and C _{LIN} ≤ 10 nF (see 8-1) ⁽³⁾ , INH = V _{SUP} , NWake = V _{SUP}		1	2.1	mA		
		Normal mode, EN = high, Bus recessive, LIN = V _{SUP} , INH = V _{SUP} , NWake = V _{SUP}		450		775	μA	
		Standby mode, EN = low, Bus recessive, LIN = V _{SUP} , INH = V _{SUP} , NWake = V _{SUP}		450		775	μA	
		Sleep mode, 7 V < V _{SUP} ≤ 14 V, LIN = V _{SUP} , NWake = V _{SUP} , EN = 0 V, TXD and RXD floating			10		20	μA
		Sleep mode, 14 V < V _{SUP} < 27 V, LIN = V _{SUP} , NWake = V _{SUP} , EN = 0 V, TXD and RXD floating					30	μA
RXD OUTPUT PIN (OPEN DRAIN)								
V _O	Output voltage ⁽⁴⁾		–0.3		5.5	V		
I _{OL}	Low-level output current, open drain	LIN = 0 V, RXD = 0.4 V	3.5			mA		
I _{IKG}	Leakage current, high-level	LIN = V _{SUP} , RXD = 5 V	–5	0	5	μA		
TXD INPUT/OUTPUT PIN								
V _{IL}	Low-level input voltage		–0.3		0.8	V		
V _{IH}	High-level input voltage		2		5.5	V		
V _{IT}	Input threshold hysteresis voltage		30		500	mV		

7.5 Electrical Characteristics (continued)

$V_{SUP} = 5V$ to $27V$, $T_J = -40^{\circ}C$ to $150^{\circ}C$ (unless otherwise noted)

PARAMETER		TEST CONDITIONS	MIN	TYP ⁽¹⁾	MAX	UNIT
	Pulldown resistor		125	350	800	k Ω
I_{IL}	Low-level input leakage current	TXD = Low	-5	0	5	μA
I_{TXD_Wake}	Local wake up source re recognition TXD open drain drive	Standby mode after a local wake up event, $V_{LIN} = V_{SUP}$, $N_{Wake} = 0V$, TXD = 1V	1.3	4.6	8	mA
LIN PIN (REFERENCED TO V_{SUP})						
V_{OH}	High-level output voltage	LIN recessive, TXD = high, $I_O = 0mA$, $V_{SUP} = 14V$	$V_{SUP} - 1$			V
V_{OL}	Low-level output voltage	LIN dominant, TXD = low, $I_O = 40mA$, $V_{SUP} = 14V$	$0.2 \times V_{SUP}$			V
I_L	Limiting current (ISO 17987-4 Param 12)	TXD = 0V, $V_{LIN} = 7V$ to $27V$	40	90	200	mA
I_{LKG}	Receiver leakage current, dominant (ISO 17987-4 Param 13)	LIN = 0V, $7V \leq V_{SUP} \leq 18V$, Driver off	-1			mA
	Receiver leakage current, recessive (ISO 17987-4 Param 14)	LIN $\geq V_{SUP}$, $7 \leq V_{SUP} \leq 18V$, Driver off LIN = V_{SUP} , driver off				20 5 μA
I_{LKG}	Leakage current, loss of ground (ISO 17987-4 Param 15)	GND = V_{SUP} , $V_{SUP} = 12V$, $0V < V_{LIN} < 18V$	-1			1 mA
I_{LKG}	Leakage current, loss of supply (ISO 17987-4 Param 16)	$7V < LIN \leq 12V$, $V_{SUP} = GND$				5
		$12V < LIN \leq 18V$, $V_{SUP} = GND$				10 μA
V_{IL}	Low-level input voltage (ISO 17987-4 Param 17)	LIN dominant (including LIN dominant for wake up)	$0.4 \times V_{SUP}$			V
V_{IH}	High-level input voltage (ISO 17987-4 Param 18)	LIN recessive	$0.6 \times V_{SUP}$			V
V_{BUS_CNT}	Receiver center threshold (ISO 17987-4 Param 19)	$V_{BUS_CNT} = (V_{IL} + V_{IH}) / 2$	$0.475 \times V_{SUP}$	$0.5 \times V_{SUP}$	$0.525 \times V_{SUP}$	V
V_{HYS}	Hysteresis voltage (ISO 17987-4 Param 20)	$V_{HYS} = (V_{IL} - V_{IH})$	$0.05 \times V_{SUP}$		$0.175 \times V_{SUP}$	V
V_{SERIAL_DIODE}	Serial diode in LIN termination pull up path (ISO 17987-4 Param 21)	By design and characterization	0.4	0.7	1.0	V
$R_{RESPONDER}$	Pullup resistor to V_{SUP} (ISO 17987-4 Param 26)	Normal and standby modes	20	30	60	k Ω
R_{SLEEP}	Pullup current source to V_{SUP}	Sleep mode, $V_{SUP} = 14V$, LIN = GND	-2			-20 μA
EN INPUT PIN						
V_{IL}	Low-level input voltage		-0.3			0.8 V
V_{IH}	High-level input voltage		2			5.5 V
V_{hys}	Hysteresis voltage	By design and characterization	30			500 mV
	Pulldown resistor		125	350	800	k Ω
I_{IL}	Low-level input current	EN = Low	-5			0 5 μA

7.5 Electrical Characteristics (continued)

$V_{SUP} = 5V$ to $27V$, $T_J = -40^{\circ}C$ to $150^{\circ}C$ (unless otherwise noted)

PARAMETER		TEST CONDITIONS	MIN	TYP ⁽¹⁾	MAX	UNIT
INH OUTPUT PIN						
$R_{DS(on)}$	ON-state resistance	Between V_{SUP} and INH, INH = 2-mA drive, Normal or standby mode		25	50	Ω
I_{IKG}	Leakage current	Low-power mode, $0 < INH < V_{SUP}$	-5	0	5	μA
NWAKE INPUT PIN						
V_{IL}	Low-level input voltage		-0.3		$V_{SUP} - 3.3$	V
V_{IH}	High-level input voltage		$V_{SUP} - 1$		$V_{SUP} + 0.3$	V
	Pullup current	NWake = 0 V	-45	-10	-2	μA
I_{IKG}	Leakage current	$V_{SUP} = NWake$	-5	0	5	μA
AC CHARACTERISTICS						
D1	Duty cycle 1 ⁽⁵⁾ (ISO 17987-4 Param 27)	$TH_{REC(max)} = 0.744 \times V_{SUP}$, $TH_{DOM(maximum)} = 0.581 \times V_{SUP}$, $V_{SUP} = 7V$ to $18V$, $t_{BIT} = 50 \mu s$ (20 kbps), $D1 = t_{Bus_rec(min)} / (2 \times t_{BIT})$ (see 7-1)		0.396		
D2	Duty cycle 2 ⁽⁵⁾ (ISO 17987-4 Param 28)	$TH_{REC(min)} = 0.422 \times V_{SUP}$, $TH_{DOM(min)} = 0.284 \times V_{SUP}$, $V_{SUP} = 7.6V$ to $18V$, $t_{BIT} = 50 \mu s$ (20 kbps), $D2 = t_{Bus_rec(max)} / (2 \times t_{BIT})$ (see 7-1)			0.581	
D3	Duty cycle 3 ⁽⁵⁾ (ISO 17987-4 Param 29)	$TH_{REC(max)} = 0.778 \times V_{SUP}$, $TH_{DOM(max)} = 0.616 \times V_{SUP}$, $V_{SUP} = 7V$ to $18V$, $t_{BIT} = 96 \mu s$ (10.4 kbps), $D3 = t_{Bus_rec(min)} / (2 \times t_{BIT})$ (see 7-1)		0.417		
D4	Duty cycle 4 ⁽⁵⁾ (ISO 17987-4 Param 30)	$TH_{REC(min)} = 0.389 \times V_{SUP}$, $TH_{DOM(min)} = 0.251 \times V_{SUP}$, $V_{SUP} = 7.6V$ to $18V$, $t_{BIT} = 96 \mu s$ (10.4 kbps), $D4 = t_{Bus_rec(max)} / (2 \times t_{BIT})$ (see 7-1)			0.59	

- (1) Typical values are given for $V_{SUP} = 14V$ at $25^{\circ}C$, except for low power mode where typical values are given for $V_{SUP} = 12V$ at $25^{\circ}C$.
- (2) All voltages are defined with respect to ground; positive currents flow into the SN65HVDA100-Q1 device.
- (3) In the dominant state, the supply current increases as the supply voltage increases due to the integrated LIN responder termination resistance. At higher voltages the majority of supply current is through the termination resistance. The minimum resistance of the LIN responder termination is $20k\Omega$, so the maximum supply current attributed to the termination is: $I_{SUP(dom)max} = (V_{SUP} - (V_{LIN_Dominant} + 0.7V)) / 20k\Omega$.
- (4) RXD pin output is open drain. Output voltage is through external pullup resistance to logic supply of the system and impedance of the RXD pin.
- (5) Duty cycles: LIN driver bus load conditions (C_{LINBUS} , R_{LINBUS}): Load1 = 1 nF, 1 k Ω ; Load2 = 10 nF, 500 Ω . Duty cycles 3 and 4 are defined for 10.4-kbps operation. The SN65HVDA100-Q1 also meets these lower data rate requirements, while it is capable of the higher speed 20-kbps operation as specified by duty cycles 1 and 2. SAEJ2602 derives propagation delay equations from the LIN 2.0 duty cycle definitions, for details see the SAEJ2602 specification.

7.6 Switching Characteristics

over operating free-air temperature range (unless otherwise noted)

PARAMETER		TEST CONDITIONS	MIN	TYP	MAX	UNIT
AC CHARACTERISTICS						
t_{rx_pdr}	Receiver rising propagation delay time (ISO 17987-4 Param 31)	$R_{RXD} = 2.4k\Omega$, $C_{RXD} = 20pF$ (see 7-2 and 8-1)			6	μs
t_{rx_pdf}	Receiver falling propagation delay time (ISO 17987-4 Param 31)	$R_{RXD} = 2.4k\Omega$, $C_{RXD} = 20pF$ (see 7-2 and 8-1)			6	μs

7.6 Switching Characteristics (continued)

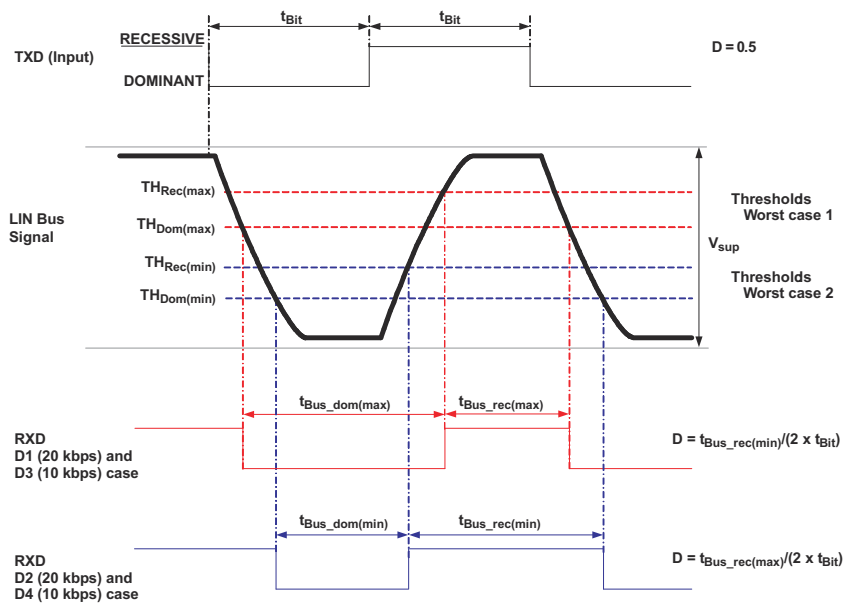
over operating free-air temperature range (unless otherwise noted)

PARAMETER	TEST CONDITIONS	MIN	TYP	MAX	UNIT
t_{rx_sym}	Rising edge with respect to falling edge ($t_{rx_sym} = t_{rx_pdf} - t_{rx_pdr}$) $R_{RXD} = 2.4$ k Ω , $C_{RXD} = 20$ pF (see 7-2 and 8-1)	-2		2	μ s
t_{NWake}	NWake filter time for local wakeup	25	50	150	μ s
t_{LINBUS}	LIN wake-up time (Minimum dominant time on LIN bus for wakeup)	25	100	150	μ s
t_{CLEAR}	Time to clear false wake-up prevention logic if LIN Bus had bus stuck dominant fault (recessive time on LIN bus to clear bus stuck dominant fault)	8	17	50	μ s
t_{DST}	Dominant state time-out ⁽¹⁾	20	34	80	ms
t_{MODE_CHANGE}	Mode change delay time			5	μ s

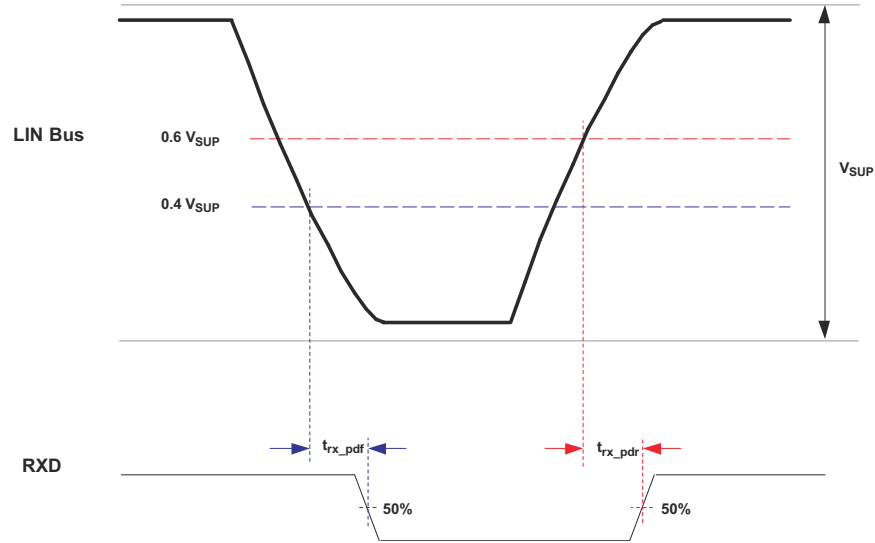
(1) TXD Dominant state timeout limits the minimum data rate to 650 bps. The minimum datarates may be calculated by the following formulas. $DataRate_{Commander(min)} = t_{SYNC_DOM(max)} / t_{DST(min)}$ and $DataRate_{Responder(min)} = 9 + n_{margin} / t_{DST(min)}$ where n_{margin} is a safety margin. For responder node cases where $n_{margin} \leq 4$, the commander node case will be the limiting calculation.

7.7 Dissipation Ratings

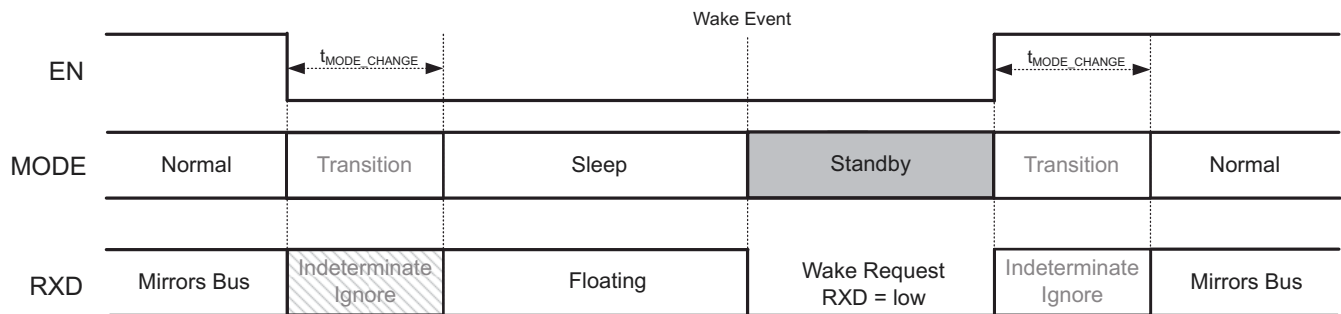
	TYP	MAX	UNIT
Thermal shutdown temperature		180	$^{\circ}$ C
Thermal shutdown hysteresis		15	$^{\circ}$ C
P_D Power Dissipation in normal mode (dominant)	17	230	mW



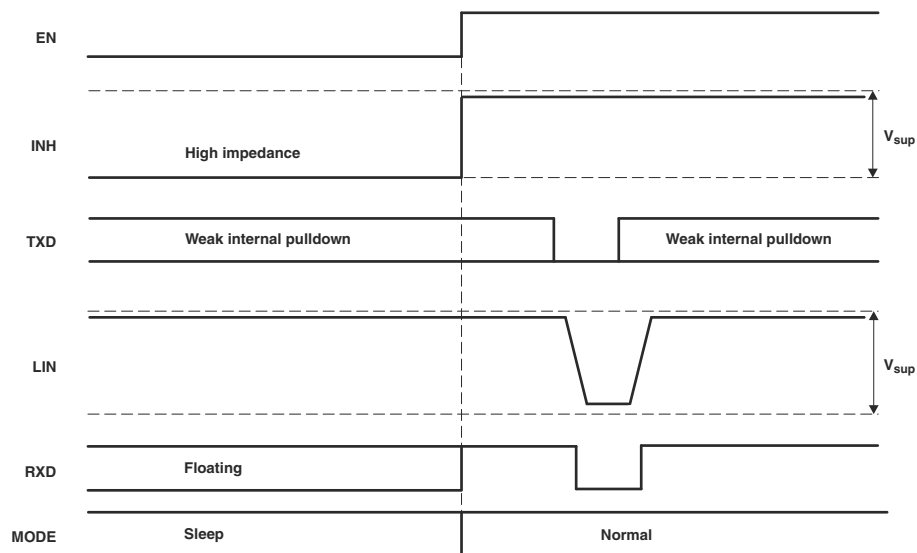
7-1. Definition of Bus Timing Parameters



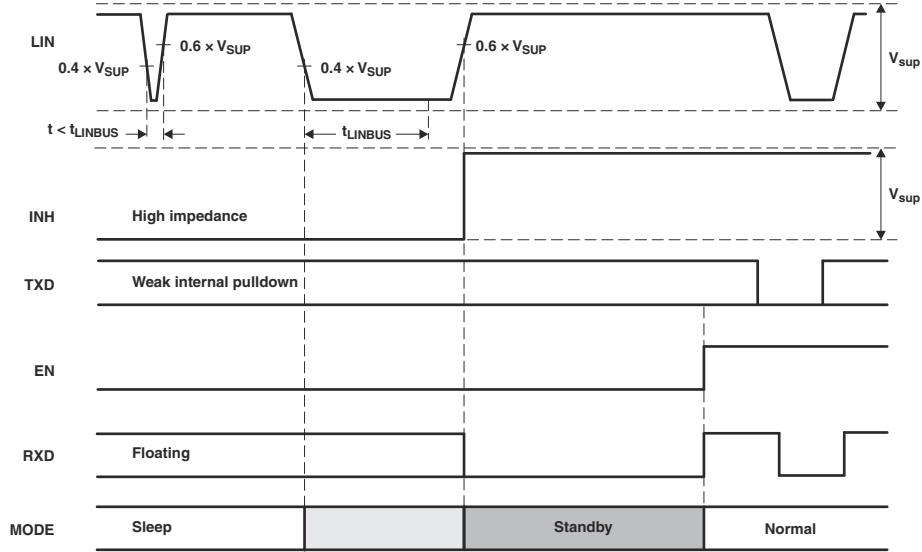
7-2. Propagation Delay



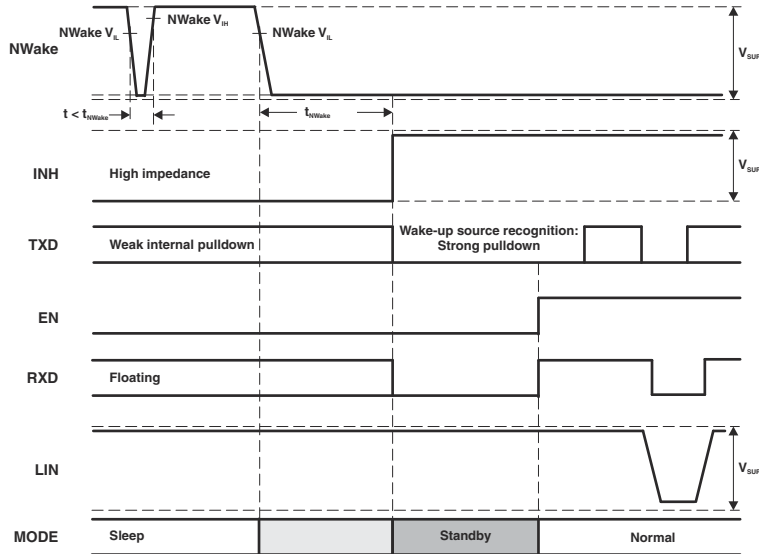
7-3. Mode Transitions



7-4. Wakeup Through EN

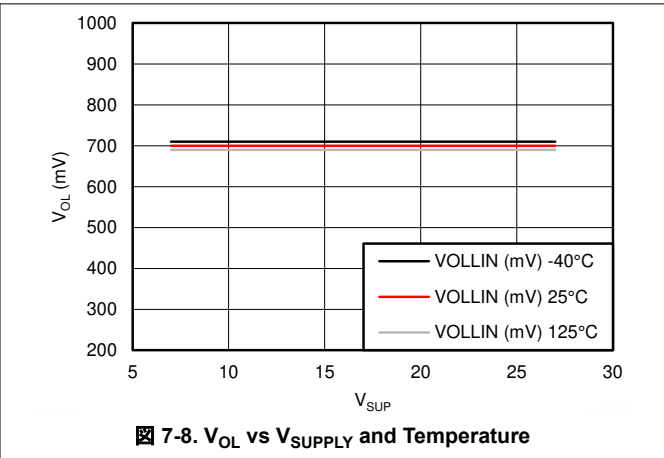
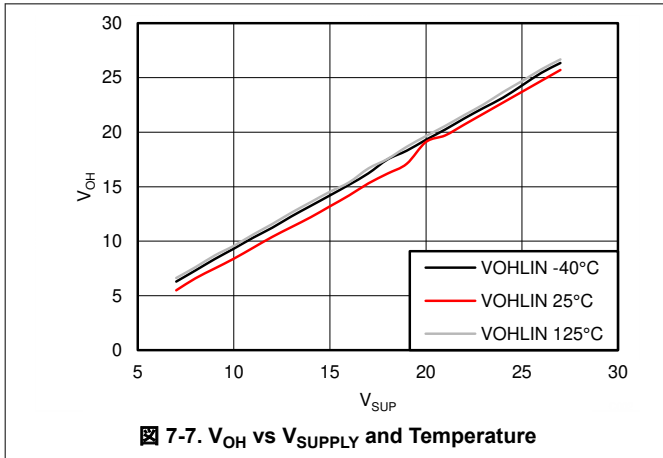


7-5. Wakeup Through LIN

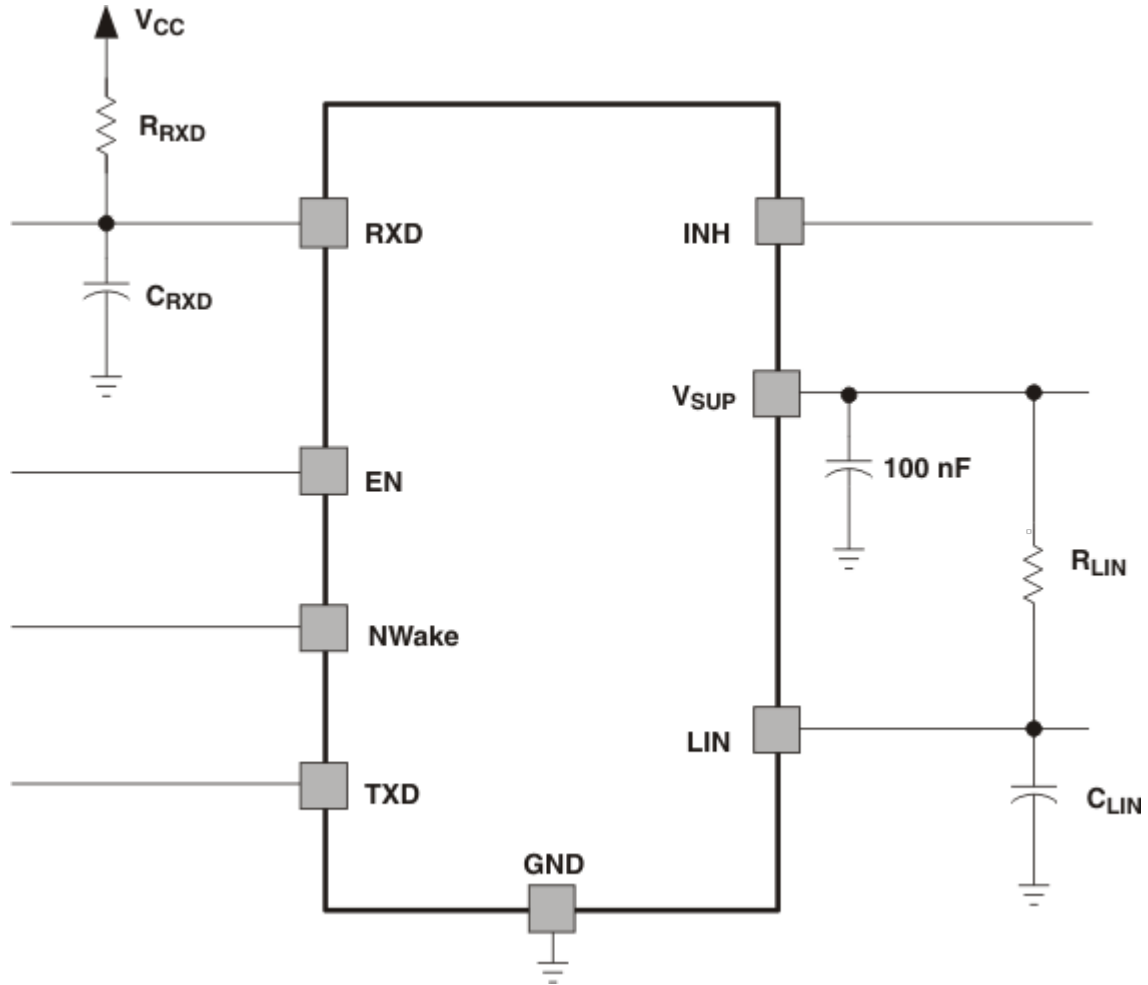


7-6. Wakeup Through NWake

7.8 Typical Characteristics



8 Parameter Measurement Information




8-1. Test Circuit for AC Characteristics

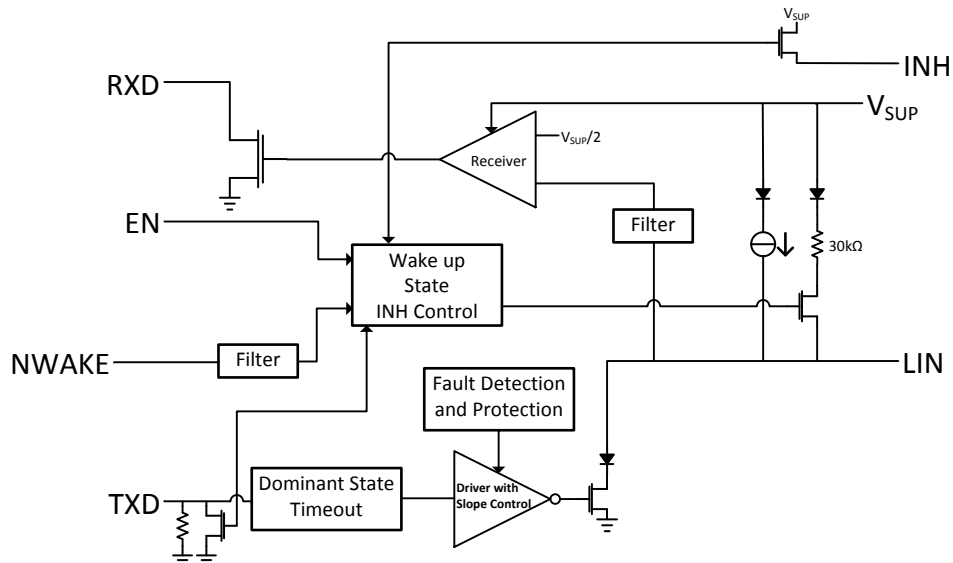
8.1

9 Detailed Description

9.1 Overview

The SN65HVDA100-Q1 LIN transceiver is a LIN (Local Interconnect Network) physical layer transceiver which integrates a serial transceiver with wake up and protection features. The LIN bus is a single wire, bi-directional bus that typically is used in low speed in vehicle networks with data rates that range from 2.4 kbps to 20 kbps.

9.2 Functional Block Diagram



9.3 Feature Description

9.3.1 LIN (Local Interconnect Network) Bus

This I/O pin is the single-wire LIN bus transmitter and receiver. The LIN pin can survive excessive DC and transient voltages. There are no reverse currents from the LIN to supply (V_{SUP}), even in the event of a ground shift or loss of supply (V_{SUP}).

9.3.1.1 LIN Transmitter Characteristics

The transmitter has thresholds and AC parameters according to the LIN specification. The transmitter is a low-side transistor with internal current limitation and thermal shutdown. During a thermal shutdown condition, the transmitter is disabled to protect the device. There is an internal pullup resistor with a serial diode structure to V_{SUP} , so no external pullup components are required for LIN responder mode applications. An external pullup resistor and a series diode to V_{SUP} must be added when the device is used for commander node applications.

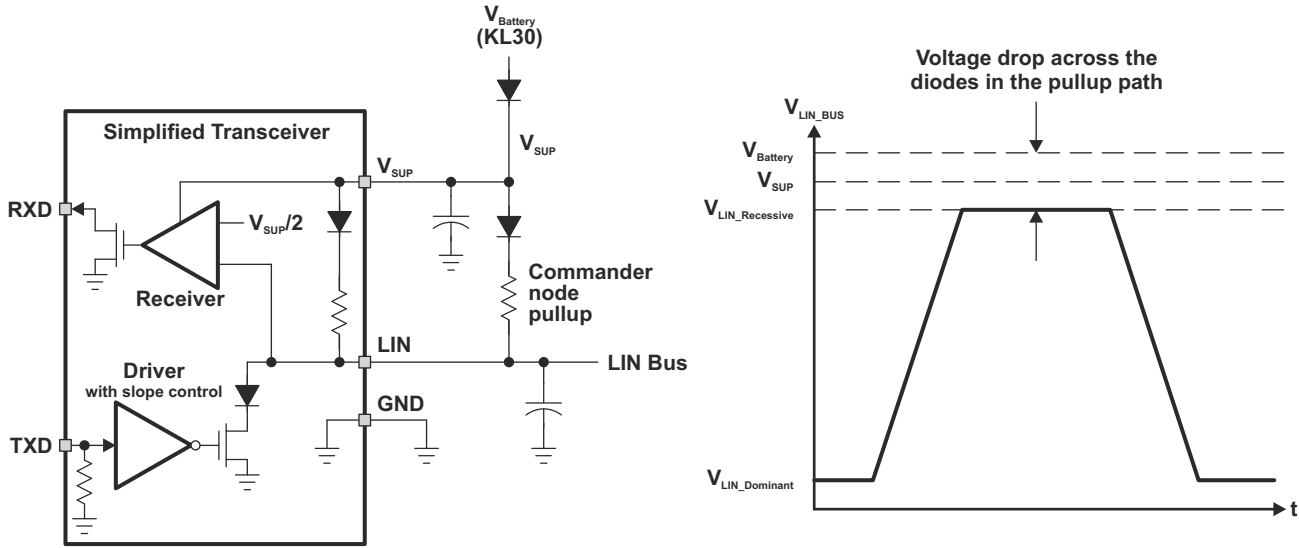
9.3.1.2 LIN Receiver Characteristics

The receiver's characteristic thresholds are ratiometric with the device supply pin according to the LIN specification.

The receiver is capable of receiving higher data rates (>100 kbps) than supported by LIN or SAEJ2602 specifications. This allows the SN65HVDA100-Q1 to be used for high-speed downloads at end-of-line production or other applications. The actual data rates achievable depend on system time constants (bus capacitance and pullup resistance) and driver characteristics used in the system.

9.3.1.2.1 Termination

There is an internal pullup resistor with a serial diode structure from LIN to V_{SUP} , so no external pullup components are required for LIN responder mode applications. An external pullup resistor (1 kΩ) and a series diode to V_{SUP} must be added when the device is used for commander node applications per the LIN specification.



V_{Battery} = Vehicle battery supply
 V_{SUP} = Electronic module supply (reverse battery diode blocked V_{Battery})

9-1. Definition of Voltage Levels

9.3.2 TXD (Transmit Input / Output)

TXD is the interface to the MCU's LIN protocol controller or SCI/UART that is used to control the state of the LIN output. When TXD is low, the LIN output is dominant (near ground). When TXD is high, the LIN output is recessive (near battery). The TXD input structure is compatible with microcontrollers with 3.3-V and 5-V I/O. TXD has an internal pulldown resistor. The LIN bus is protected from being stuck dominant through a system failure driving TXD low through the dominant state time-out timer. The TXD pin is pulled down strongly in standby mode after a wake-up event on the NWake pin.

9.3.3 RXD (Receive Output)

RXD is the interface to the MCU's LIN protocol controller or SCI/UART, which reports the state of the LIN bus voltage. LIN recessive (near battery) is represented by a high level on RXD and LIN dominant (near ground) is represented by a low level on RXD. The RXD output structure is an open-drain output stage. This allows the device to be used with 3.3-V and 5-V I/O microcontrollers. If the microcontroller's RXD pin does not have an integrated pullup, an external pullup resistor to the microcontroller I/O supply voltage is required. In standby mode the RXD pin is driven low to indicate a wake-up request from LIN or NWake.

9.3.4 V_{SUP} (Supply Voltage)

V_{SUP} is the power supply pin. V_{SUP} is connected to the battery through an external reverse battery blocking diode. If there is a loss of power at the ECU level, the device has extremely low leakage from the LIN pin, which does not load the bus down. This is optimal for LIN systems in which some of the nodes are unpowered (ignition supplied) while the rest of the network remains powered (battery supplied).

9.3.5 GND (Ground)

GND is the device ground connection. The device can operate with a ground shift as long as the ground shift does not reduce V_{SUP} below the minimum operating voltage. If there is a loss of ground at the ECU level, the device has extremely low leakage from the LIN pin, which does not load the bus down. This is optimal for LIN systems in which some of the nodes are unpowered (ignition supplied) while the rest of the network remains powered (battery supplied).

9.3.6 EN (Enable Input)

EN controls the operational modes of the device. When EN is high, the device is in normal mode, allowing a transmission path from TXD to LIN and from LIN to RXD. When EN is low, the device is put into sleep mode and

there are no transmission paths available. The device can enter normal mode only after wake up. EN has an internal pull-down resistor to make sure the device remains in low-power mode even if EN floats.

9.3.7 NWake (High Voltage Wake Up Input)

NWake is a high-voltage input used to wake up from sleep mode. NWake is usually connected to an external switch in the application. A low on NWake that is asserted longer than the filter time (t_{NWAKE}) results in a local wakeup. NWake provides an internal pullup source to V_{SUP} .

9.3.8 INH (Inhibit Output)

INH is used to control an external voltage regulator that has an inhibit or enable input. When the device is in normal operating mode, the inhibit switch is enabled and the external voltage regulator is activated. When device is in sleep mode, the inhibit switch is disabled, which turns off the system voltage regulator. A wake-up event transitions the device to standby by mode and re-enables INH which, in turn, restarts the system by turning on the voltage regulators. INH can also drive an external transistor connected to an MCU interrupt input.

9.3.9 TXD Dominant State Timeout

During normal mode, if TXD is inadvertently driven permanently low by a hardware or software application failure, the LIN bus is protected by the dominant state timeout timer. This timer is triggered by a falling edge on TXD. If the low signal remains on TXD for longer than t_{DST} , the transmitter is disabled, thus allowing the LIN bus to return to the recessive state and communication to resume on the bus. The protection is cleared and the t_{DST} timer is reset by a rising edge on TXD. The TXD pin has an internal pull-down to make sure the device fails to a known state if TXD is disconnected. During this fault, the transceiver remains in normal mode (assuming no change of state request on EN), the transmitter is disabled, the RXD pin reflects the LIN bus, INH remains on, and the LIN bus pullup termination remains on.

Note

The maximum dominant TXD time allowed by the TXD Dominant state time-out limits the minimum possible data rate of the device. The LIN protocol has different constraints for commander and responder applications thus there are different maximum consecutive dominant bits for each application case and thus different minimum data rates.

Commander node: The maximum continuous dominant is the maximum dominant of the SYNC BREAK FIELD, $t_{\text{SYNC_DOM(max)}}$. The SYNC BREAK FIELD notifies the 'start of frame' to all LIN responders. It consists of 13 to 26 dominant bits (low phase) followed by a delimiter. Thus the minimum TXD dominant time out, $t_{\text{DST(min)}}$ and the maximum SYNC BREAK FIELD for the commander determine the minimum data rate for a commander node, which may be calculated using [式 1](#).

$$\text{DataRate}_{\text{Commander(min)}} = t_{\text{SYNC_DOM(max)}} / t_{\text{DST(min)}} \quad (1)$$

Responder node: sends the response part of the LIN message frame which has a maximum consecutive dominant length of 9 bits (start bit + 8 data bits). As a result the minimum baud rate of a responder can be calculated using [式 2](#).

$$\text{DataRate}_{\text{Responder(min)}} = (9 + n_{\text{margin}}) / t_{\text{DST(min)}} \text{ where } n_{\text{margin}} \text{ is a safety margin.} \quad (2)$$

9.3.10 Thermal Shutdown

The LIN transmitter is protected through a current limit, however, if the junction temperature of the device exceeds the thermal shutdown threshold, the device turns off the LIN transmitter circuit. Once the overtemperature fault condition has been removed and the junction temperature has cooled beyond the hysteresis temperature, the transmitter is re-enabled, assuming the device remained in the normal mode. During this fault, the transceiver remains in normal mode (assuming no change of state request on EN), the transmitter is disabled, the RXD pin reflects the LIN bus, INH remains on, and the LIN bus pullup termination remains on.

9.3.11 Bus Stuck Dominant System Fault: False Wake-Up Lockout

The device contains logic to detect bus stuck dominant system faults and prevent the device from waking up falsely during this system fault. Upon entering sleep mode, the device detects the state of the LIN bus. If the bus is dominant, the wake-up logic is locked out until a valid recessive on the bus "clears" the bus stuck dominant condition. This logic prevents the potential for a cyclical false wakeup of the system if the bus is stuck dominant, preventing excessive current use. [Figure 9-2](#) and [Figure 9-3](#) show the behavior of this protection feature.

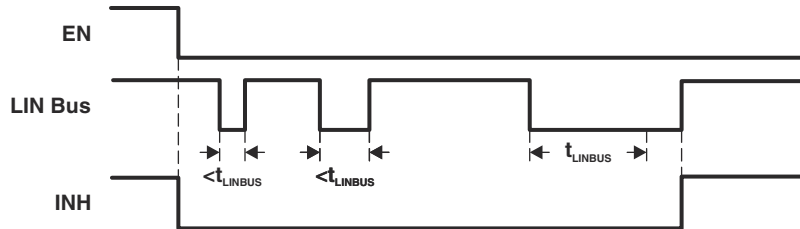


Figure 9-2. No Bus Fault: Entering Sleep Mode With Bus Recessive Condition and Wakeup

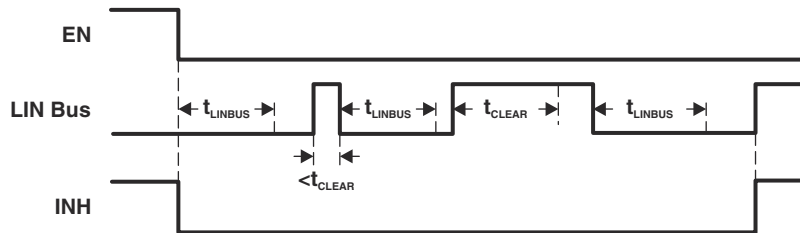


Figure 9-3. Bus Fault: Entering Sleep Mode With Bus Stuck Dominant Fault, Clearing, and Wakeup

9.3.12 Undervoltage on V_{SUP}

The device contains a power-on reset circuit to avoid false bus messages during undervoltage conditions when V_{SUP} is less than UV_{VSUP} .

9.3.13 Unpowered Device Does Not Affect the LIN Bus

The device has extremely low unpowered leakage current from the bus, so an unpowered node does not affect the network or load it down. This is optimal for LIN systems in which some of the nodes are unpowered (ignition supplied) while the rest of the network remains powered (battery supplied).

9.4 Device Functional Modes

9.4.1 Operating States

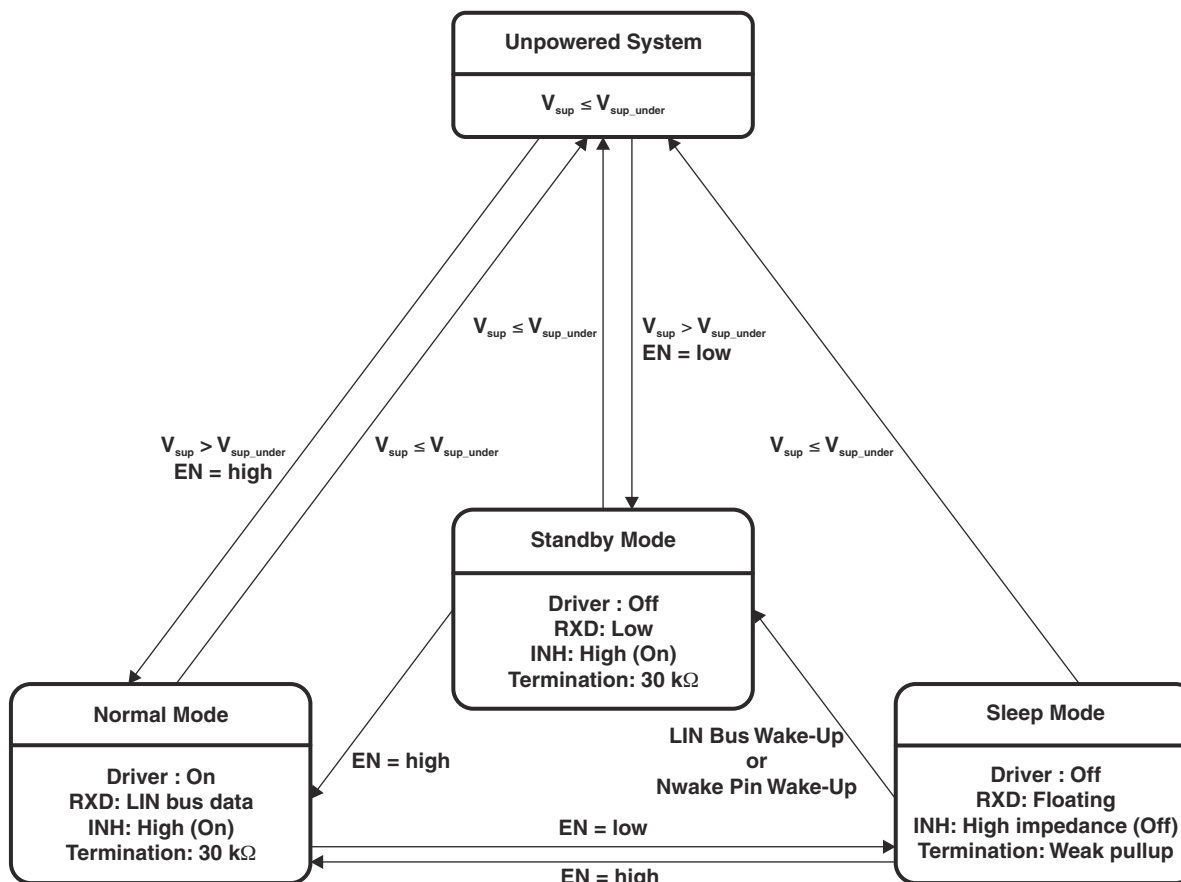


图 9-4. Operating States Diagram

表 9-1. Operating Modes

MODE	EN	RXD	LIN BUS TERMINATION	INH	TRANSMITTER	COMMENTS
Sleep	Low	Floating	Weak current pullup	High impedance	Off	
Standby	Low	Low	30 k Ω (typical)	High	Off	Wake-up event detected, waiting on MCU to set EN
Normal	High	LIN bus data	30 k Ω (typical)	High	On	LIN transmission up to 20 kbps

9.4.2 Normal Mode

This is the normal operational mode, in which the receiver and driver are active, and LIN transmission up to the LIN specified maximum of 20 kbps is supported. The receiver detects the data stream on the LIN bus and outputs it on RXD for the LIN controller, where recessive on the LIN bus is a digital high, and dominant on the LIN bus is digital low. The driver transmits input data on TXD to the LIN bus. Normal mode is entered as EN transitions high while the SN65HVDA100-Q1 is in sleep or standby mode.

9.4.3 Sleep Mode

Sleep mode is the power saving mode for the SN65HVDA100-Q1. Even with the extremely low current consumption in this mode, the SN65HVDA100-Q1 can still wake up from LIN bus through a wake-up signal, a low on NWake, or if EN is set high. The LIN bus and NWake are filtered to prevent false wake-up events. The wake-up events must be active for their respective time periods (t_{LINBUS} , t_{NWake}).

The sleep mode is entered by setting EN low.

While the device is in sleep mode, the following conditions exist:

- The LIN bus driver is disabled and the internal LIN bus termination is switched off (to minimize power loss if LIN is short circuited to ground). However, the weak current pullup is active to prevent false wake-up events in case an external connection to the LIN bus is lost.
- The normal receiver is disabled.
- INH is high impedance.
- EN input, NWake input, and the LIN wake-up receiver are active.

9.4.4 Wake-Up Events

There are three ways to wake up from sleep mode:

- Remote wakeup through recessive (high) to dominant (low) state transition on LIN bus. The dominant state must be held for t_{LINBUS} filter time and then the bus must return to the recessive state (to eliminate false wakeups from disturbances on the LIN bus or if the bus is shorted to ground).
- Local wakeup through a low on NWake, which is asserted low longer than the filter time t_{NWake} (to eliminate false wakeups from disturbances on NWake).
- Local wakeup through EN being set high.

9.4.4.1 Wake-Up Request (RXD)

When the device encounters a wake-up event from the LIN bus or NWake pin, RXD goes low, and the device transitions to standby mode (until EN is reasserted high and the device enters normal mode). Once the device enters normal mode, the RXD pin is releasing the wake-up request signal, and the RXD pin then reflects the receiver output from the bus.

9.4.4.2 Wake-Up Source Recognition (TXD)

When the device encounters a wake-up event from the LIN bus or NWake pin, TXD indicates the source while the device enters and remains in standby mode (until EN is reasserted high and the device enters normal mode). In addition to the internal pullup resistor on TXD, typically an external pullup resistor (approximately 5 k Ω) is used in the system's I/O supply voltage. A high on TXD in standby mode indicates a remote wakeup through the LIN bus, and a low (strong pulldown) on the TXD pin indicates a local wakeup through the NWAKE pin.

9.4.5 Standby Mode

This mode is entered whenever a wake-up event occurs through LIN bus or NWake while the device is in sleep mode. The LIN bus responder termination circuit and INH are turned on when standby mode is entered. The application system powers up once INH is turned on, assuming the system is using a voltage regulator connected through INH. Standby mode is signaled through a low level on RXD.

When EN is set high while the device is in standby mode the device returns to normal mode and the normal transmission paths from TXD to LIN bus and LIN bus to RXD are enabled.

During power up if EN is low the device goes into Standby mode and if EN is high the device goes into Normal mode. EN has an internal pull-down resistor, so if the pin is floating in the system, the internal pull-down makes sure it is pulled low.

Note

If the INH output of the SN65HVDA100-Q1 is not used to control the system power management (voltage regulators) and monitor wake-up sources, but sleep mode is used to reduce system current, the RXD pin is monitored to make sure SN65HVDA100-Q1 remains in sleep mode. If the SN65HVDA100-Q1 detects an undervoltage on V_{SUP} , the RXD pin transitions low and signals to the software that the SN65HVDA100-Q1 is in standby mode and should be returned to sleep mode to return to the lowest power state.

9.4.6 Mode Transitions

When the device is transitioning between modes the device needs the time, t_{MODE_CHANGE} , to allow the change to fully propagate from the EN pin through the device into the new state.

Note

When using the SN65HVDA100-Q1 in systems which are not controlled through the INH output, but rather are monitoring the RXD pin for a wake-up request, special care should be taken during the mode transitions. The output of the RXD pin is indeterminate for the transition period between states as the receivers are switched. The application software should not look for an edge on the RXD pin indicating a wake-up request until t_{MODE_CHANGE} . This is shown in [Figure 7-3](#).

10 Application and Implementation

Note

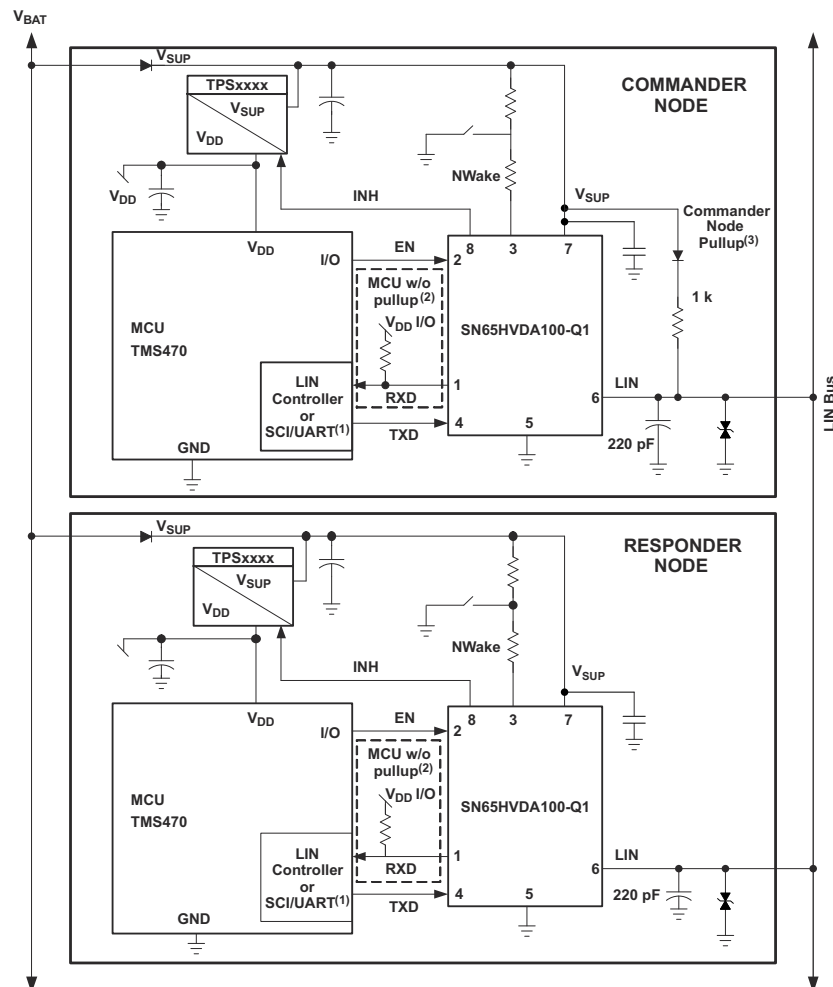
以下のアプリケーション情報は、TI の製品仕様に含まれるものではなく、TI ではその正確性または完全性を保証いたしません。個々の目的に対する製品の適合性については、お客様の責任で判断していただくこととなります。お客様は自身の設計実装を検証しテストすることで、システムの機能を確認する必要があります。

10.1 Application Information

The responder-Q1 can be used as both a responder device and a commander device in a LIN network. The device comes with the ability to support both remote wake-up requests and local wake-up requests.

10.2 Typical Application

The device comes with an integrated 30-k Ω pullup resistor and series diode for responder applications, and for commander applications an external 1-k Ω pullup with series blocking diode can be used. [Figure 10-1](#) shows the device being used in both types of applications.



- A. RXD on MCU or LIN responder has internal pullup, no external pullup resistor is needed.
- B. RXD on MCU or LIN responder without internal pullup, requires external pullup resistor.
- C. Commander node applications require an external 1-k Ω pullup resistor and serial diode.

Figure 10-1. SN65HVDA100-Q1 Application Diagram

10.2.1 Design Requirements

For this design, use these requirements:

1. RXD on MCU or LIN responder has internal pullup, no external pullup resistor is needed.
2. RXD on MCU or LIN responder without internal pullup, requires external pullup resistor.
3. Commander Node applications require an external 1-k Ω pullup resistor and serial diode.



10.2.2 Detailed Design Procedure

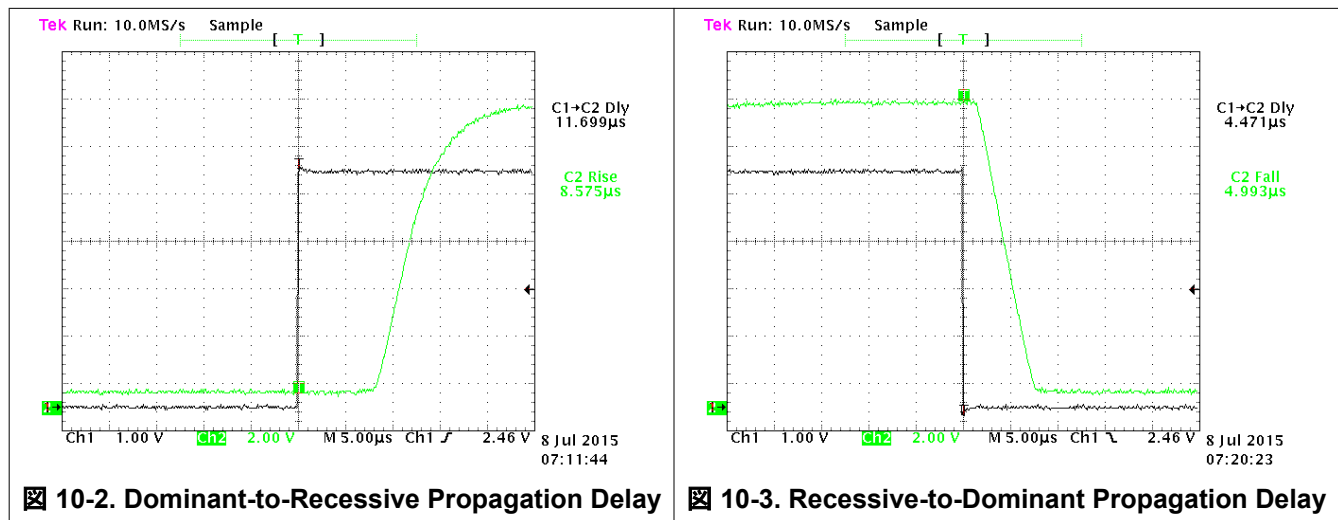
The RXD output structure is an open-drain output stage. This allows the SN65HVDA100-Q1 to be used with 3.3-V and 5-V I/O microcontrollers. If the RXD pin of the microcontroller does not have an integrated pullup, an external pullup resistor to the microcontroller I/O supply voltage is required.

The V_{SUP} pin of the device should be decoupled with a 100-nF capacitor as close to the supply pin of the device as possible.

The NWAKE pin is a high voltage wake-up input to the device. If this pin is not being used it should be tied to V_{SUP} .

10.2.3 Application Curves

 10-2 and  10-3 show the propagation delay from the TXD pin to the LIN pin for both the recessive-to-dominant and dominant-to-recessive states under lightly loaded conditions.



11 Power Supply Recommendations

The SN65HVDSA100-Q1 was designed to operate directly off a car battery or any other DC supply ranging from 7 V to 27 V. A 100-nF decoupling capacitor should be placed as close to the V_{SUP} pin of the device as possible.

12 Layout

12.1 Layout Guidelines

Pin 1 is the RXD output of the SN65HVDA100-Q1. The pin is an open-drain output and requires an external pullup resistor in the range of 1 k Ω to 10 k Ω to function properly. If the microprocessor paired with the transceiver does not have an integrated pullup, an external resistor should be placed between RXD and the regulated voltage supply for the microprocessor.

Pin 2 is the EN input pin for the device that is used to place the device in low power sleep mode. If this feature is not used on the device, the pin should be pulled high to the regulated voltage supply of the microprocessor through a series 1-k Ω to 10-k Ω series resistor. Additionally, a series resistor may be placed on the pin to limit the current on the digital lines in the case of a overvoltage fault.

Pin 3 is a high-voltage local wake up input pin. The device is typically externally controlled by a normally open switch tied between NWAKE and ground. When the momentary switch is pressed the NWAKE pin is pulled to ground signaling a local wake-up event. A series resistor between V_{BATT} and the switch, and NWAKE and the switch should be placed to limit current. If the NWAKE local wake-up feature is not used, the pin can be tied to V_{SUP} through a 1-k Ω to 10-k Ω pullup resistor.

Pin 4 is the transmit input signal to the device. A series resistor can be placed to limit the input current to the device in the case of a overvoltage on this pin. Also, a capacitor to ground can be placed close to the input pin of the device to filter noise.

Pin 5 is the ground connection of the device. This pin should be tied to a ground plane through a short trace with the use of two vias to limit total return inductance.

Pin 6 is the LIN bus connection of the device. For responder applications a 220-pF bus capacitor is implemented. For commander applications an additional series resistor and blocking diode should be placed between the LIN pin and the V_{SUP} pin.

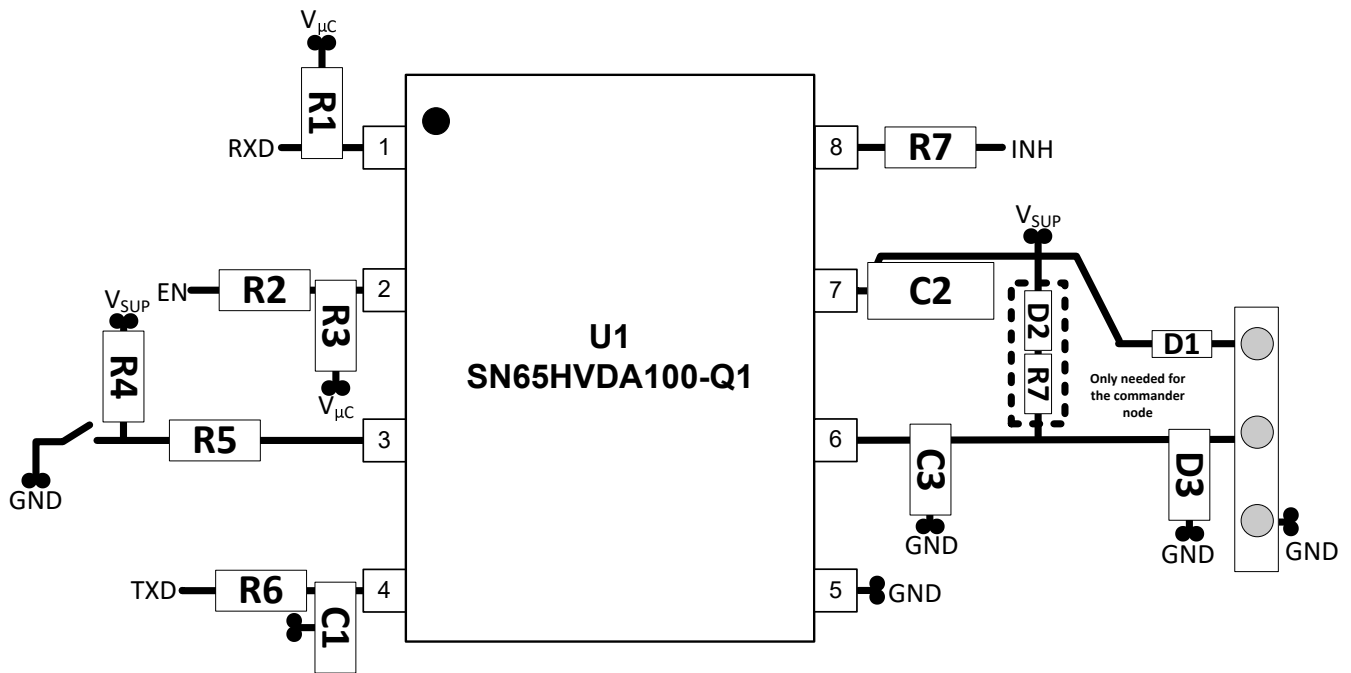
Pin 7 is the supply pin for the device. A 100-nF decoupling capacitor should be placed as close to the device as possible.

Pin 8 is a high-voltage output pin that may be used to control the local power supplies. If this feature is not used the pin may be left floating.

Note

All ground and power connections should be made as short as possible and use at least two vias to minimize the total loop inductance.

12.2 Layout Example



12-1. Layout Schematic

13 Device and Documentation Support

13.1 Documentation Support

13.1.1 Related Documentation

13.2 Receiving Notification of Documentation Updates

To receive notification of documentation updates, navigate to the device product folder on [ti.com](https://www.ti.com). Click on *Subscribe to updates* to register and receive a weekly digest of any product information that has changed. For change details, review the revision history included in any revised document.

13.3 サポート・リソース

[TI E2E™ サポート・フォーラム](#)は、エンジニアが検証済みの回答と設計に関するヒントをエキスパートから迅速かつ直接得ることができる場所です。既存の回答を検索したり、独自の質問をしたりすることで、設計に必要な支援を迅速に得ることができます。

リンクされているコンテンツは、該当する貢献者により、現状のまま提供されるものです。これらは TI の仕様を構成するものではなく、必ずしも TI の見解を反映したものではありません。TI の[使用条件](#)を参照してください。

13.4 Trademarks

TI E2E™ is a trademark of Texas Instruments.

すべての商標は、それぞれの所有者に帰属します。

13.5 Electrostatic Discharge Caution



This integrated circuit can be damaged by ESD. Texas Instruments recommends that all integrated circuits be handled with appropriate precautions. Failure to observe proper handling and installation procedures can cause damage.

ESD damage can range from subtle performance degradation to complete device failure. Precision integrated circuits may be more susceptible to damage because very small parametric changes could cause the device not to meet its published specifications.

13.6 Glossary

[TI Glossary](#) This glossary lists and explains terms, acronyms, and definitions.

14 Mechanical, Packaging, and Orderable Information

The following pages include mechanical, packaging, and orderable information. This information is the most current data available for the designated devices. This data is subject to change without notice and revision of this document. For browser-based versions of this data sheet, refer to the left-hand navigation.

PACKAGING INFORMATION

Orderable Device	Status (1)	Package Type	Package Drawing	Pins	Package Qty	Eco Plan (2)	Lead finish/ Ball material (6)	MSL Peak Temp (3)	Op Temp (°C)	Device Marking (4/5)	Samples
SN65HVDA100QDRQ1	ACTIVE	SOIC	D	8	2500	RoHS & Green	NIPDAU	Level-2-260C-1 YEAR	-40 to 125	A100Q	Samples

(1) The marketing status values are defined as follows:

ACTIVE: Product device recommended for new designs.

LIFEBUY: TI has announced that the device will be discontinued, and a lifetime-buy period is in effect.

NRND: Not recommended for new designs. Device is in production to support existing customers, but TI does not recommend using this part in a new design.

PREVIEW: Device has been announced but is not in production. Samples may or may not be available.

OBSOLETE: TI has discontinued the production of the device.

(2) **RoHS:** TI defines "RoHS" to mean semiconductor products that are compliant with the current EU RoHS requirements for all 10 RoHS substances, including the requirement that RoHS substance do not exceed 0.1% by weight in homogeneous materials. Where designed to be soldered at high temperatures, "RoHS" products are suitable for use in specified lead-free processes. TI may reference these types of products as "Pb-Free".

RoHS Exempt: TI defines "RoHS Exempt" to mean products that contain lead but are compliant with EU RoHS pursuant to a specific EU RoHS exemption.

Green: TI defines "Green" to mean the content of Chlorine (Cl) and Bromine (Br) based flame retardants meet JS709B low halogen requirements of <=1000ppm threshold. Antimony trioxide based flame retardants must also meet the <=1000ppm threshold requirement.

(3) MSL, Peak Temp. - The Moisture Sensitivity Level rating according to the JEDEC industry standard classifications, and peak solder temperature.

(4) There may be additional marking, which relates to the logo, the lot trace code information, or the environmental category on the device.

(5) Multiple Device Markings will be inside parentheses. Only one Device Marking contained in parentheses and separated by a "-" will appear on a device. If a line is indented then it is a continuation of the previous line and the two combined represent the entire Device Marking for that device.

(6) Lead finish/Ball material - Orderable Devices may have multiple material finish options. Finish options are separated by a vertical ruled line. Lead finish/Ball material values may wrap to two lines if the finish value exceeds the maximum column width.

Important Information and Disclaimer:The information provided on this page represents TI's knowledge and belief as of the date that it is provided. TI bases its knowledge and belief on information provided by third parties, and makes no representation or warranty as to the accuracy of such information. Efforts are underway to better integrate information from third parties. TI has taken and continues to take reasonable steps to provide representative and accurate information but may not have conducted destructive testing or chemical analysis on incoming materials and chemicals. TI and TI suppliers consider certain information to be proprietary, and thus CAS numbers and other limited information may not be available for release.

In no event shall TI's liability arising out of such information exceed the total purchase price of the TI part(s) at issue in this document sold by TI to Customer on an annual basis.

TAPE AND REEL INFORMATION

QUADRANT ASSIGNMENTS FOR PIN 1 ORIENTATION IN TAPE


*All dimensions are nominal

Device	Package Type	Package Drawing	Pins	SPQ	Reel Diameter (mm)	Reel Width W1 (mm)	A0 (mm)	B0 (mm)	K0 (mm)	P1 (mm)	W (mm)	Pin1 Quadrant
SN65HVDA100QDRQ1	SOIC	D	8	2500	330.0	12.4	6.4	5.2	2.1	8.0	12.0	Q1

TAPE AND REEL BOX DIMENSIONS


*All dimensions are nominal

Device	Package Type	Package Drawing	Pins	SPQ	Length (mm)	Width (mm)	Height (mm)
SN65HVDA100QDRQ1	SOIC	D	8	2500	356.0	356.0	35.0



D0008A

PACKAGE OUTLINE

SOIC - 1.75 mm max height

SMALL OUTLINE INTEGRATED CIRCUIT



4214825/C 02/2019

NOTES:

1. Linear dimensions are in inches [millimeters]. Dimensions in parenthesis are for reference only. Controlling dimensions are in inches. Dimensioning and tolerancing per ASME Y14.5M.
2. This drawing is subject to change without notice.
3. This dimension does not include mold flash, protrusions, or gate burrs. Mold flash, protrusions, or gate burrs shall not exceed .006 [0.15] per side.
4. This dimension does not include interlead flash.
5. Reference JEDEC registration MS-012, variation AA.

EXAMPLE BOARD LAYOUT

D0008A

SOIC - 1.75 mm max height

SMALL OUTLINE INTEGRATED CIRCUIT



LAND PATTERN EXAMPLE
EXPOSED METAL SHOWN
SCALE:8X



SOLDER MASK DETAILS

4214825/C 02/2019

NOTES: (continued)

- 6. Publication IPC-7351 may have alternate designs.
- 7. Solder mask tolerances between and around signal pads can vary based on board fabrication site.

EXAMPLE STENCIL DESIGN

D0008A

SOIC - 1.75 mm max height

SMALL OUTLINE INTEGRATED CIRCUIT



SOLDER PASTE EXAMPLE
BASED ON .005 INCH [0.125 MM] THICK STENCIL
SCALE:8X

4214825/C 02/2019

NOTES: (continued)

8. Laser cutting apertures with trapezoidal walls and rounded corners may offer better paste release. IPC-7525 may have alternate design recommendations.
9. Board assembly site may have different recommendations for stencil design.

重要なお知らせと免責事項

TI は、技術データと信頼性データ(データシートを含みます)、設計リソース(リファレンス・デザインを含みます)、アプリケーションや設計に関する各種アドバイス、Web ツール、安全性情報、その他のリソースを、欠陥が存在する可能性のある「現状のまま」提供しており、商品性および特定目的に対する適合性の黙示保証、第三者の知的財産権の非侵害保証を含むいかなる保証も、明示的または黙示的にかかわらず拒否します。

これらのリソースは、TI 製品を使用する設計の経験を積んだ開発者への提供を意図したものです。(1) お客様のアプリケーションに適した TI 製品の選定、(2) お客様のアプリケーションの設計、検証、試験、(3) お客様のアプリケーションに該当する各種規格や、その他のあらゆる安全性、セキュリティ、規制、または他の要件への確実な適合に関する責任を、お客様のみが単独で負うものとし、

上記の各種リソースは、予告なく変更される可能性があります。これらのリソースは、リソースで説明されている TI 製品を使用するアプリケーションの開発の目的でのみ、TI はその使用をお客様に許諾します。これらのリソースに関して、他の目的で複製することや掲載することは禁止されています。TI や第三者の知的財産権のライセンスが付与されている訳ではありません。お客様は、これらのリソースを自身で使用した結果発生するあらゆる申し立て、損害、費用、損失、責任について、TI およびその代理人を完全に補償するものとし、TI は一切の責任を拒否します。

TI の製品は、[TI の販売条件](#)、または [ti.com](https://www.ti.com) やかかる TI 製品の関連資料などのいずれかを通じて提供する適用可能な条項の下で提供されています。TI がこれらのリソースを提供することは、適用される TI の保証または他の保証の放棄の拡大や変更を意味するものではありません。

お客様がいかなる追加条項または代替条項を提案した場合でも、TI はそれらに異議を唱え、拒否します。

郵送先住所 : Texas Instruments, Post Office Box 655303, Dallas, Texas 75265

Copyright © 2022, Texas Instruments Incorporated