

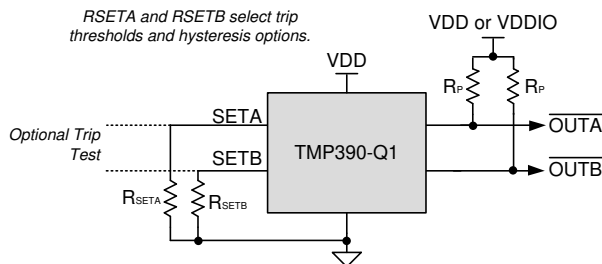
# TMP390-Q1 超小型、2チャンネル(ホットおよびコールド・トリップ)、0.5μA、抵抗によりプログラム可能な温度スイッチ

## 1 特長

- 下記内容で AEC-Q100 認定済み
  - 温度グレード 1:  $-40^{\circ}\text{C} \sim +125^{\circ}\text{C}$  の動作温度範囲
  - 拡張動作温度範囲:  $-55^{\circ}\text{C} \sim +130^{\circ}\text{C}$
- 機能安全対応
  - 機能安全システムの設計に役立つ資料を利用可能
- 温度トリップ・ポイントとヒステリシス選択を抵抗によりプログラム可能
  - 抵抗の公差がゼロ誤差に寄与
  - ヒステリシスの選択肢:  $5^{\circ}\text{C}$ 、 $10^{\circ}\text{C}$ 、 $20^{\circ}\text{C}$
- 過熱検出用と低温検出用の独立した出力
  - チャンネル A (過熱):  $+30 \sim +124^{\circ}\text{C}$ 、 $2^{\circ}\text{C}$  刻み
  - チャンネル B (低温):  $-50 \sim +25^{\circ}\text{C}$ 、 $5^{\circ}\text{C}$  刻み
- 較正なしでの精度
  - $0^{\circ}\text{C} \sim +70^{\circ}\text{C}$  で  $\pm 1.5^{\circ}\text{C}$  以内
  - $-55^{\circ}\text{C} \sim +130^{\circ}\text{C}$  で  $\pm 3.0^{\circ}\text{C}$  以内
- 超低消費電力:  $25^{\circ}\text{C}$  で  $0.5\mu\text{A}$  (標準値)
- 電源電圧:  $1.62 \sim 5.5\text{V}$
- オープン・ドレイン出力
- トリップ・テスト機能によりインシステム・テストが可能
- SOT-563 ( $1.60\text{mm} \times 1.20\text{mm}$ )、6 ピンのパッケージで供給

## 2 アプリケーション

- 車載用インフォテインメント・システム
  - USB チャージャ
  - インストルメント・クラスタ
  - メディア・インターフェイス
- カメラ
- レーダー / LIDAR



概略回路図

## 3 概要

TMP390-Q1 デバイスは、 $-55^{\circ}\text{C} \sim 130^{\circ}\text{C}$  のシステム・サーマル・イベントを保護および検出できる、抵抗でプログラム可能な 2 チャンネル超低消費電力温度スイッチ・ファミリの製品です。TMP390-Q1 は過熱 (ホット) と低温 (コールド) を個別に検出できます。トリップ温度 ( $T_{\text{TRIP}}$ ) と熱ヒステリシス ( $T_{\text{HYST}}$ ) は、SETA ピンと SETB ピンに 2 個の E96 系列抵抗 (公差 1%) を接続することで設定できます。チャンネル A の抵抗の範囲は  $1.05\text{k}\Omega \sim 909\text{k}\Omega$  で、48 の固有の値の 1 つを表します。チャンネル B の抵抗の範囲は  $10.5\text{k}\Omega \sim 909\text{k}\Omega$  です。

SETA 入力をグランドに接続する抵抗の値でチャンネル A の  $T_{\text{TRIP}}$  スレッシュホールドを設定し、SETB 入力をグランドに接続する抵抗の値でチャンネル B の  $T_{\text{TRIP}}$  スレッシュホールドを設定します。また、両方のチャンネルの  $T_{\text{HYST}}$  に  $5^{\circ}\text{C}$  または  $10^{\circ}\text{C}$  を選択することで、デジタル出力の不要なスイッチングを防止できます。SETB 入力がグランドに接続されると、チャンネル A は  $20^{\circ}\text{C}$  のヒステリシスで動作します。抵抗の精度は、 $T_{\text{TRIP}}$  の精度に影響しません。

顧客がボード・レベルの製造を行えるように、TMP390-Q1 は、SETA ピンまたは SETB ピンを使用してデジタル出力を駆動するトリップ・テスト機能をサポートしています。

### 製品情報

部品番号	パッケージ <sup>(1)</sup>	本体サイズ (公称)
TMP390-Q1	SOT-563 (6)	$1.60\text{mm} \times 1.20\text{mm}$

(1) 利用可能なすべてのパッケージについては、このデータシートの末尾にある注文情報を参照してください。

### デバイスの比較

部品番号	機能	出力タイプ
TMP390-Q1	ホット / コールド	オープン・ドレイン



## Table of Contents

<b>1 特長</b> .....	1	7.4 Device Functional Modes.....	10
<b>2 アプリケーション</b> .....	1	<b>8 Application and Implementation</b> .....	11
<b>3 概要</b> .....	1	8.1 Applications Information.....	11
<b>4 Revision History</b> .....	2	8.2 Typical Applications.....	11
<b>5 Pin Configuration and Functions</b> .....	3	<b>9 Power Supply Recommendations</b> .....	17
<b>6 Specifications</b> .....	4	<b>10 Layout</b> .....	18
6.1 Absolute Maximum Ratings.....	4	10.1 Layout Guidelines.....	18
6.2 ESD Ratings.....	4	10.2 Layout Example.....	18
6.3 Recommended Operating Conditions.....	4	<b>11 Device and Documentation Support</b> .....	19
6.4 Thermal Information.....	4	11.1 Receiving Notification of Documentation Updates..	19
6.5 Electrical Characteristics.....	5	11.2 サポート・リソース.....	19
6.6 Typical Characteristics.....	6	11.3 Trademarks.....	19
<b>7 Detailed Description</b> .....	7	11.4 Electrostatic Discharge Caution.....	19
7.1 Overview.....	7	11.5 Glossary.....	19
7.2 Functional Block Diagram.....	7	<b>12 Mechanical, Packaging, and Orderable Information</b> .....	19
7.3 Feature Description.....	7		

## 4 Revision History

資料番号末尾の英字は改訂を表しています。その改訂履歴は英語版に準じています。

### Changes from Revision A (April 2020) to Revision B (August 2019) Page

- 文書全体にわたって表、図、相互参照の採番方法を更新..... 1
- 「特長」セクションに機能安全の箇条書き項目を追加..... 1

### Changes from Revision \* (September 2019) to Revision A (April 2020) Page

- データシートステータスを事前情報から量産データに変更..... 1
- 「拡張動作温度範囲: -55°C ~ +130°C」を追加..... 1
- 較正なしでの精度の範囲を +125°C から +130°C に変更..... 1
- Added *Channel A Trip Point Accuracy vs Operating Temperature* graph ..... 6
- Added *Channel B Trip Point Accuracy vs Operating Temperature* graph ..... 6

## 5 Pin Configuration and Functions

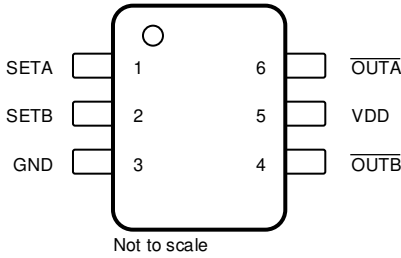


图 5-1. DRL Package 6-Pin SOT-563 Top View

表 5-1. Pin Functions

PIN		I/O	DESCRIPTION
NO.	NAME		
1	SETA	Input	Channel A temperature set point. Connect a standard E96, 1% resistance between SETA and GND.
2	SETB	Input	Channel B temperature and Hysteresis set point. Connect a standard E96, 1% resistance between SETB and GND.
3	GND	Ground	Device ground.
4	$\overline{\text{OUTB}}$	Logic Output	Channel B logic open-drain active low output. If unused, the output can be left floating or connected to GND.
5	VDD	Supply	Power supply voltage (1.62 V – 5.5 V).
6	$\overline{\text{OUTA}}$	Logic Output	Channel A logic open-drain active low output. If unused, the output can be left floating or connected to GND.

## 6 Specifications

### 6.1 Absolute Maximum Ratings

over operating free-air temperature range (unless otherwise noted)<sup>(1) (2)</sup>

		MIN	MAX	UNIT
Supply voltage	VDD	-0.3	6	V
Voltage at	$\overline{\text{OUTA}}$ , $\overline{\text{OUTB}}$	-0.3	6	V
Voltage at	SETA, SETB	-0.3	VDD + 0.3	V
Junction temperature, $T_J$		-55	150	°C
Storage temperature, $T_{stg}$		-60	150	°C

- Stresses beyond those listed under *Absolute Maximum Ratings* may cause permanent damage to the device. These are stress ratings only, which do not imply functional operation of the device at these or any other conditions beyond those indicated under *Recommended Operating Conditions*. Exposure to absolute-maximum-rated conditions for extended periods may affect device reliability.
- Powering the device when the operating junction temperature is outside the *Recommended Operating Conditions*, may affect the functional operation of the device. The device must be power cycled after the system has returned to conditions as indicated under *Recommended Operating Conditions*.

### 6.2 ESD Ratings

		VALUE	UNIT
$V_{(ESD)}$	Electrostatic discharge	Human-body model (HBM), per AEC Q100-002 <sup>(1)</sup> HBM ESD Classification Level 2	±2000
		Charged-device model (CDM), per AEC Q100-011 CDM ESD Classification Level C4A	±500

- AEC Q100-002 indicates HBM stressing is done in accordance with the ANSI/ESDA/JEDEC JS-001 specification.

### 6.3 Recommended Operating Conditions

		MIN	NOM	MAX	UNIT
VDD	Supply voltage	1.62	3.3	5.5	V
$V_{\text{OUTA}}$	Channel A output pull-up voltage (open-drain)			VDD + 0.3	V
$V_{\text{OUTB}}$	Channel B output pull-up voltage (open-drain)			VDD + 0.3	V
$I_{\text{SETA}}$	SETA pin circuit leakage current	-20		20	nA
$I_{\text{SETB}}$	SETB pin circuit leakage current	-20		20	nA
$R_{\text{PA}}$	Pullup resistor connected from $\overline{\text{OUTA}}$ to VDDIO <sup>(1)</sup>	1	10		kΩ
$R_{\text{PB}}$	Pullup resistor connected from $\overline{\text{OUTB}}$ to VDDIO <sup>(1)</sup>				
$T_A$	Operating free-air temperature (specified performance)	-40		125	°C
	Operating free-air temperature (extended performance)	-55		130	°C

- Where VDDIO is an independent power supply other than VDD, and shall not exceed (VDD + 0.3) V.

### 6.4 Thermal Information

THERMAL METRIC <sup>(1)</sup>		TMP390-Q1	UNIT
		DRL (SOT)	
		6 PINS	
$R_{\theta JA}$	Junction-to-ambient thermal resistance	210.3	°C/W
$R_{\theta JC(top)}$	Junction-to-case (top) thermal resistance	105	°C/W
$R_{\theta JB}$	Junction-to-board thermal resistance	87.5	°C/W
$\Psi_{JT}$	Junction-to-top characterization parameter	6.1	°C/W
$\Psi_{JB}$	Junction-to-board characterization parameter	87	°C/W
$M_T$	Thermal Mass	1.83	mJ/°C

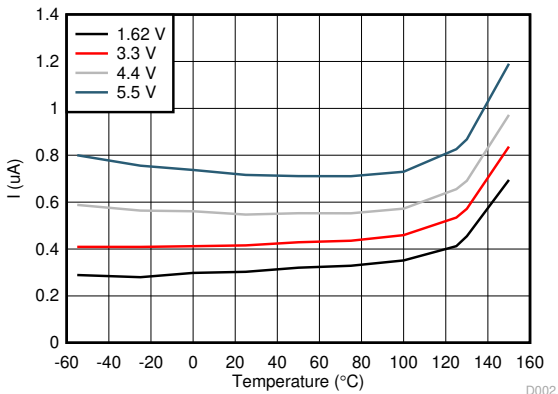
- For more information about traditional and new thermal metrics, see the [Semiconductor IC Package Thermal Metrics](#) application report, (SPRA953).

## 6.5 Electrical Characteristics

Minimum and maximum specifications are over -55°C to 130°C and VDD = 1.62V - 5.5V (unless otherwise noted); typical specifications are at T<sub>A</sub> = 25°C and VDD = 3.3 V.

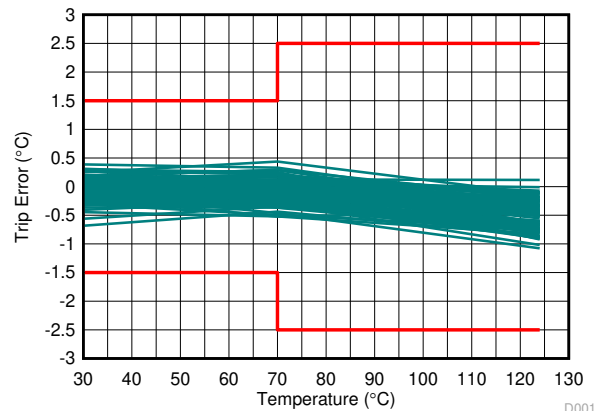
PARAMETER		TEST CONDITIONS		MIN	TYP	MAX	UNIT
<b>TEMPERATURE TO DIGITAL CONVERTER</b>							
TEMPERATURE MEASUREMENT							
	Trip Point Accuracy (Channel A)	30°C to 70°C	VDD = 2.5V to 5.5V	-1.5	±0.5	1.5	°C
			VDD = 1.62V to 2.5V	-2.0	±0.5	2.0	
		30°C to 130°C	VDD = 2.5V to 5.5V	-2.5	±0.5	2.5	
			VDD = 1.62V to 2.5V	-3.0	±0.5	3.0	
	Trip Point Accuracy (Channel B)	0°C to 25°C	VDD = 2.5V to 5.5V	-1.75	±0.5	1.75	
			VDD = 1.62V to 2.5V	-2.0	±0.5	2.0	
		-55°C to 25°C	VDD = 2.5V to 5.5V	-2.5	±0.5	2.5	
			VDD = 1.62V to 2.5V	-3.0	±0.5	3.0	
T <sub>HYST</sub>	Trip point hysteresis	表 7-2 selection column 2		5			°C
		表 7-2 selection column 3		10			°C
		Channel A only when SETB connected to GND		20			°C
<b>TRIP POINT RESISTOR PROGRAMMING</b>							
	SETA resistor range			1.05		909	kΩ
	SETB resistor range			10.5		909	kΩ
	SETA & SETB resistor tolerance	T <sub>A</sub> =25°C		-1.0		1.0	%
	SETA & SETB resistor temperature coefficient			-100		100	ppm/°C
	SETA & SETB resistor lifetime drift			-0.2		0.2	%
<b>DIGITAL INPUT/OUTPUT</b>							
C <sub>IN</sub>	Input capacitance for SETA & SETB (includes PCB)					50	pF
R <sub>PD</sub>	Internal Pull down resistance	SETA & SETB			125		kΩ
V <sub>OL</sub>	Output logic low level	I <sub>OL</sub> = -3 mA		0		0.4	V
I <sub>LKG</sub>	Leakage current on output high level			-0.1		0.1	μA
T <sub>Cov</sub>	Conversion duration				0.65		ms
T <sub>S</sub>	Sampling period				0.5		s
<b>POWER SUPPLY</b>							
I <sub>Q</sub>	Average Quiescent current	VDD = 1.62V to 3.3V			0.5	1	μA
I <sub>Standby</sub>	Standby current				0.25		
I <sub>Conv</sub>	Conversion current				135		μA
I <sub>SU</sub>	Startup (Reset) peak current	Reset Time interval only.			250		μA
V <sub>POR</sub>	Power-on-reset threshold voltage	Supply going up			1.5		V
	Brownout detect	Supply going down			1.1		V
	Power Reset Time	Time required by device to reset after power up			10		ms

## 6.6 Typical Characteristics



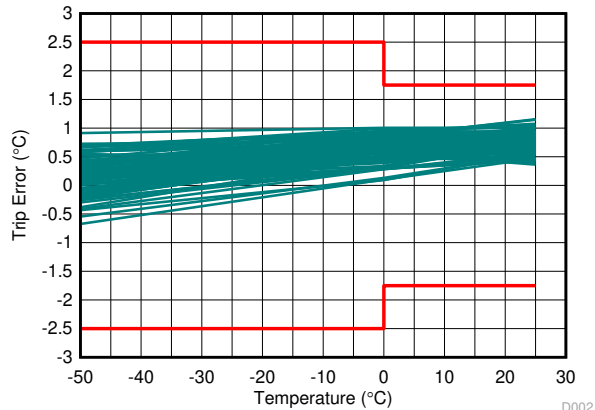
( $V_S = 1.62\text{ V}, 3.3\text{ V}, 4.4\text{ V}, 5.5\text{ V}$ )

**6-1. Average Supply Current vs Operating Temperature**



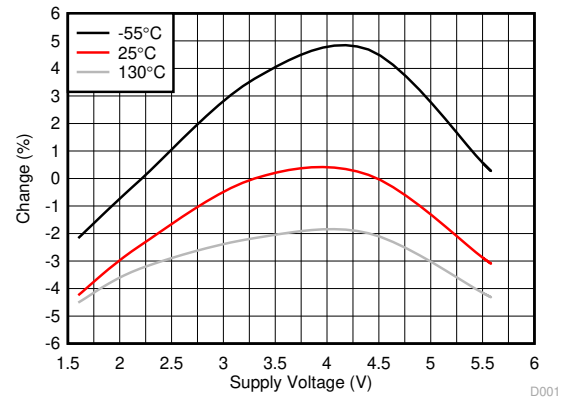
( $V_S = 3.3\text{ V}$ )

**6-2. Channel A Trip Point Accuracy vs Operating Temperature**

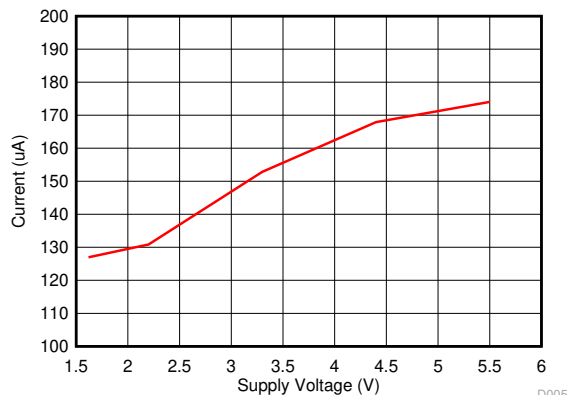


( $V_S = 3.3\text{ V}$ )

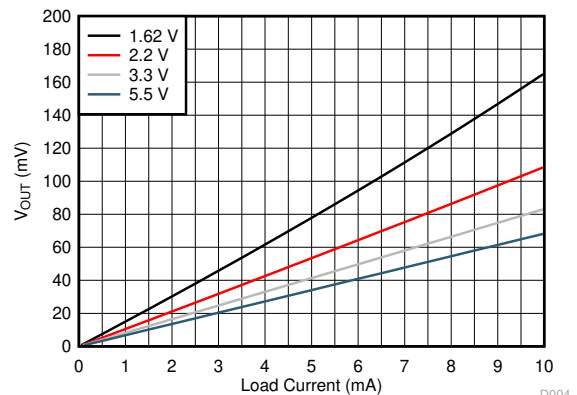
**6-3. Channel B Trip Point Accuracy vs Operating Temperature**



**6-4. Sampling Period Variation vs Supply Voltage**



**6-5. Conversion Current vs Supply Voltage**



( $T_{AMB} = 25^\circ\text{C}$ )

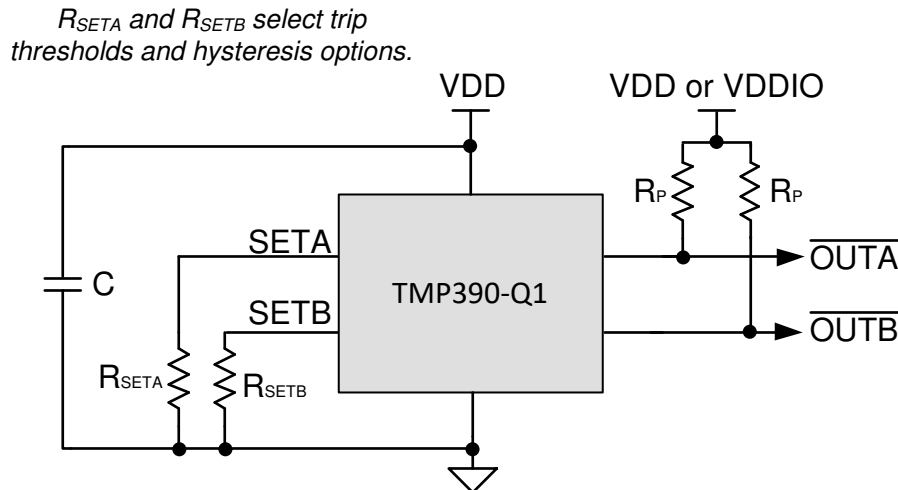
**6-6. Output Voltage vs Load Current**

## 7 Detailed Description

### 7.1 Overview

The TMP390-Q1 ultra-low power, dual channel, resistor programmable temperature switches enable detection and protection of system thermal events over a wide temperature range. The TMP390-Q1 offers independent overtemperature (hot) and undertemperature (cold) detection. The trip temperatures and hysteresis options are programmed by two E96-series (1%) standard decade value resistors on the SETA and SETB pins. The TMP390-Q1 can enable a customer board-level manufacturing test through the trip test function that can force the SETA or SETB pins to logic high to activates the digital outputs.

### 7.2 Functional Block Diagram



7-1. Simplified Schematic

### 7.3 Feature Description

The TMP390-Q1 requires two resistors to set the two trip points and hysteresis, according to 表 7-1 and 表 7-2, for the hot and cold channel device. The output of the TMP390-Q1 is open-drain and requires two pullup resistors. TI recommends to use a pullup voltage supply that does not exceed  $VDD + 0.3\text{ V}$ . The pullup resistors used in between the  $\overline{OUTA}$  and  $\overline{OUTB}$  pins and the pullup supply should be greater than 1 k $\Omega$ . The device powers on when the supply voltage goes beyond 1.5 V, and starts sampling the input resistors to set the two trip points and hysteresis value after power-on. These values will remain the same until the device goes through a power cycle. After the device sets the trip points and hysteresis level, the device will update the output every half a second. The conversion time is typically 0.65 ms when the temperature is checked against the trip points and the outputs are updated. The device remains in standby mode between conversions. If either channel is not used, the output can be grounded or left floating.

#### 7.3.1 TMP390-Q1 Programming Tables

The temperature threshold and hysteresis options for the TMP390-Q1 device are programmed using two external 1% E96 standard resistors. The specific resistor value to ground on the SETA input sets the temperature threshold of channel A. The specific resistor value to ground on the SETB input sets the temperature threshold of channel B, as well as the hysteresis for both channel A and channel B.

表 7-1. TMP390-Q1 Channel A Threshold Setting

CHANNEL A (HOT) TRIP TEMPERATURE (°C)	CHANNEL A NOMINAL 1% RESISTORS (K $\Omega$ )	CHANNEL A (HOT) TRIP RESET TEMPERATURE (°C) FOR HYSTERESIS = 5°C	CHANNEL A (HOT) TRIP RESET TEMPERATURE (°C) FOR HYSTERESIS = 10°C
30	1.05	25	20
32	1.21	27	22
34	1.40	29	24

表 7-1. TMP390-Q1 Channel A Threshold Setting (continued)

CHANNEL A (HOT) TRIP TEMPERATURE (°C)	CHANNEL A NOMINAL 1% RESISTORS (KΩ)	CHANNEL A (HOT) TRIP RESET TEMPERATURE (°C) FOR HYSTERESIS = 5°C	CHANNEL A (HOT) TRIP RESET TEMPERATURE (°C) FOR HYSTERESIS = 10°C
36	1.62	31	26
38	1.87	33	28
40	2.15	35	30
42	2.49	37	32
44	2.87	39	34
46	3.32	41	36
48	3.83	43	38
50	4.42	45	40
52	5.11	47	42
54	5.90	49	44
56	6.81	51	46
58	7.87	53	48
60	9.09	55	50
62	10.5	57	52
64	12.1	59	54
66	14.0	61	56
68	16.2	63	58
70	18.7	65	60
72	21.5	67	62
74	24.9	69	64
76	28.7	71	66
78	33.2	73	68
80	38.3	75	70
82	44.2	77	72
84	51.1	79	74
86	59.0	81	76
88	68.1	83	78
90	78.7	85	80
92	90.9	87	82
94	105	89	84
96	121	91	86
98	140	93	88
100	162	95	90
102	187	97	92
104	215	99	94
106	249	101	96
108	287	103	98
110	332	105	100
112	383	107	102
114	442	109	104
116	511	111	106
118	590	113	108
120	681	115	110
122	787	117	112



**表 7-1. TMP390-Q1 Channel A Threshold Setting (continued)**

CHANNEL A (HOT) TRIP TEMPERATURE (°C)	CHANNEL A NOMINAL 1% RESISTORS (KΩ)	CHANNEL A (HOT) TRIP RESET TEMPERATURE (°C) FOR HYSTERESIS = 5°C	CHANNEL A (HOT) TRIP RESET TEMPERATURE (°C) FOR HYSTERESIS = 10°C
124	909	119	114

注

When the SETA pin is grounded or left floating during the device power up, the OUTA pin always stays low. The Channel B functionality is not affected by the SETA channel.

**表 7-2. TMP390-Q1 Channel B Threshold and Hysteresis Setting**

CHANNEL B (COLD) TRIP TEMPERATURE (°C)	CHANNEL B NOMINAL 1% RESISTORS (KΩ)		CHANNEL B (COLD) TRIP RESET TEMPERATURE (°C)	
	HYSTERESIS = 5°C	HYSTERESIS = 10°C	HYSTERESIS = 5°C	HYSTERESIS = 10°C
-50	90.9	105	-45	-40
-45	78.7	121	-40	-35
-40	68.1	140	-35	-30
-35	59.0	162	-30	-25
-30	51.1	187	-25	-20
-25	44.2	215	-20	-15
-20	38.3	249	-15	-10
-15	33.2	287	-10	-5
-10	28.7	332	-5	0
-5	24.9	383	0	5
0	21.5	442	5	10
5	18.7	511	10	15
10	16.2	590	15	20
15	14.0	681	20	25
20	12.1	787	25	30
25	10.5	909	30	35

### 7.3.2 Trip Test

The purpose of the trip test is in system manufacturing test without putting the TMP390-Q1 through costly temperature verification of the assembly of TMP390-Q1 and pullup resistors. When the SETA or SETB pin is set to a high logic level, the associated output goes low. When the input pin level goes low, the output goes to its previous condition before the trip test. The trip test does not affect the current condition of the device. The trip test signals should stay above  $0.8 \times VDD$  for logic high and below  $0.2 \times VDD$  for logic low.

The trip test operation is shown in [Figure 7-2](#). The trip test must be performed with a single toggle when the device is operating at a temperature that will not cause the corresponding output to trip. The trip test is intended for production testing after assembly, and must not be used as a functional feature.

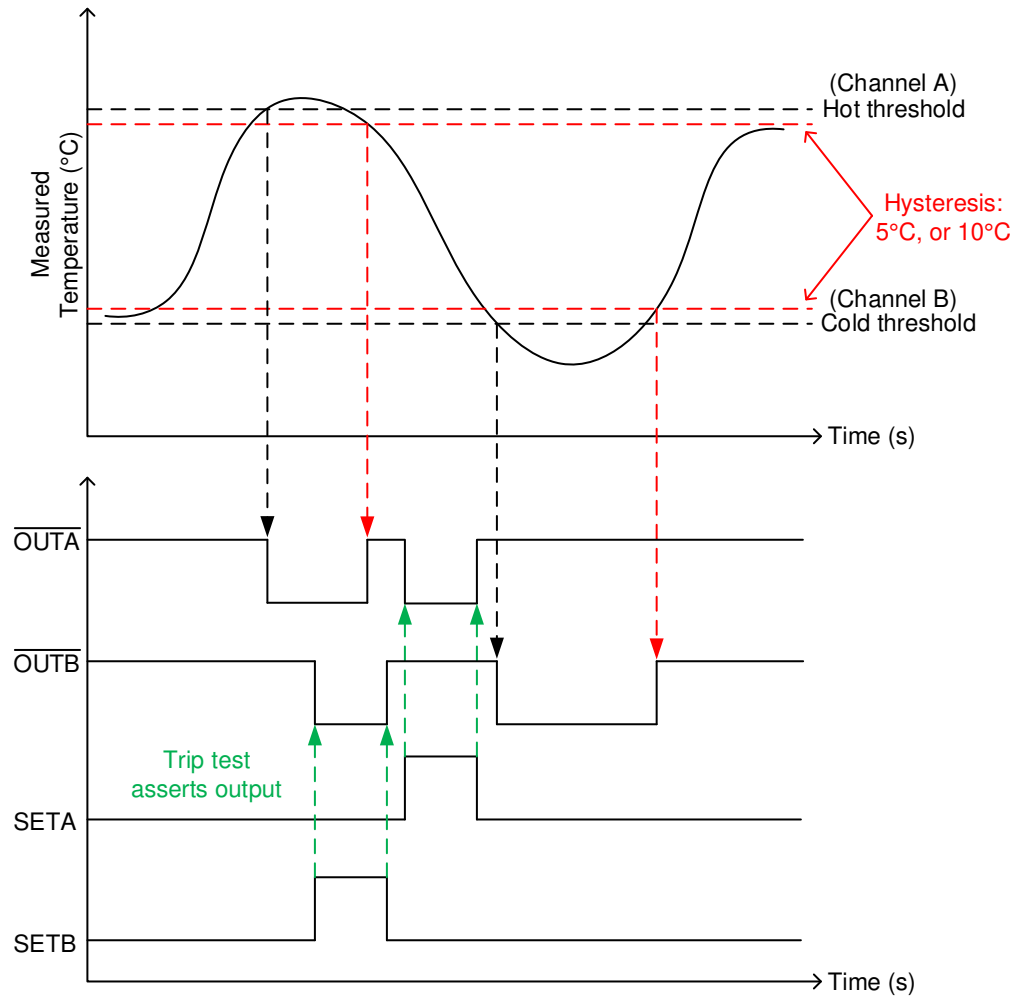


图 7-2. TMP390-Q1 Trip Test Operation

### 7.3.3 20°C Hysteresis

The 20°C hysteresis feature is only available on Channel A. To activate the feature, the SETB pin must be connected to ground and SETA pin connected to the resistor to set the appropriate trip point on Channel A.

## 7.4 Device Functional Modes

The device has one mode of operation, as described above, that applies when operated within the *Recommended Operating Conditions*.

## 8 Application and Implementation

### 注

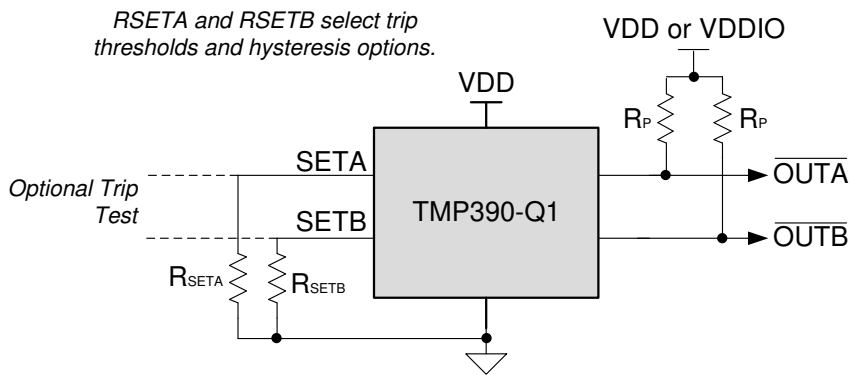
以下のアプリケーション情報は、TI の製品仕様に含まれるものではなく、TI ではその正確性または完全性を保証いたしません。個々の目的に対する製品の適合性については、お客様の責任で判断していただくこととなります。お客様は自身の設計実装を検証しテストすることで、システムの機能を確認する必要があります。

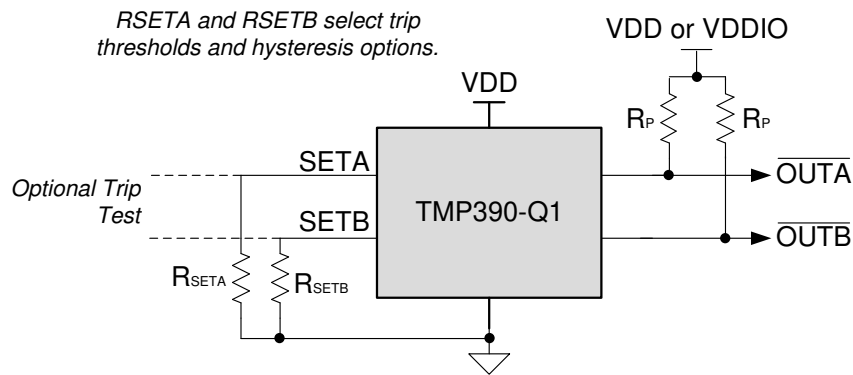
### 8.1 Applications Information

The TMP390-Q1 device is part of a family of ultra-low power, dual channel, resistor programmable temperature switches that can enable detection and protection of system thermal events over a wide temperature range. The trip temperatures ( $T_{TRIP}$ ) and hysteresis options are programmed by two E96-series (1%) standard decade value resistors on the SETA and SETB pins. The thermal hysteresis ( $T_{HYST}$ ) function is to prevent undesired digital output switching due to small temperature changes.

### 8.2 Typical Applications

#### 8.2.1 Simplified Application Schematic


 Figure 8-1 shows the simplified schematic where  $R_{SETA}$  and  $R_{SETB}$  are used to set channel A trip point (SETA) and channel B trip point and hysteresis for both channels (SETB). SETA and SETB can be programmed at a variety of temperatures based on the device, as described in [Table 7-1](#) for channel A trip point, and [Table 7-2](#) for channel B trip point and hysteresis for both channels.  $\overline{OUTA}$  and  $\overline{OUTB}$  outputs correspond to the temperature threshold detection at SETA and SETB, respectively.



**Figure 8-1. Simplified Schematic**

#### 8.2.1.1 Design Requirements

The TMP390-Q1 requires two resistors to set the high and low trip points and hysteresis, and two pullup resistors for the open-drain device. TI also highly recommends to place a 0.1- $\mu$ F, power-supply bypassing capacitor close to the VDD supply pin. To minimize the internal power dissipation, use two pullup resistors greater than 1 k $\Omega$  from the  $\overline{OUTA}$  and  $\overline{OUTB}$  pins to the VDD pin. A separate supply, VDDIO, may be used for the pullup voltage to set the output voltage level to the level required by the MCU, as shown in [Figure 8-1](#). The open-drain output gives flexibility of pulling up to any voltage independent of VDD (VDDIO must be less than or equal to  $VDD + 0.3$  V). This allows for use of longer cables or different power supply options. If a separate voltage level is not required, TI recommends to tie the pullup to the TMP390-Q1 VDD.

If the SETA or SETB connected resistor value is outside the legal range, the associated output goes to permanent output zero stage and the channel cannot be used. The other channel still will be in operating condition, and device can be used in one channel mode. If the SETB input is grounded or left floating, the Channel B cannot be used and the hysteresis for Channel A will be 20°C. The SETA and SETB connected resistors are measured during POR. If two consecutive measurements are not matching each other, then the device sets the associated channel output to zero and repeats the resistor measurements until the

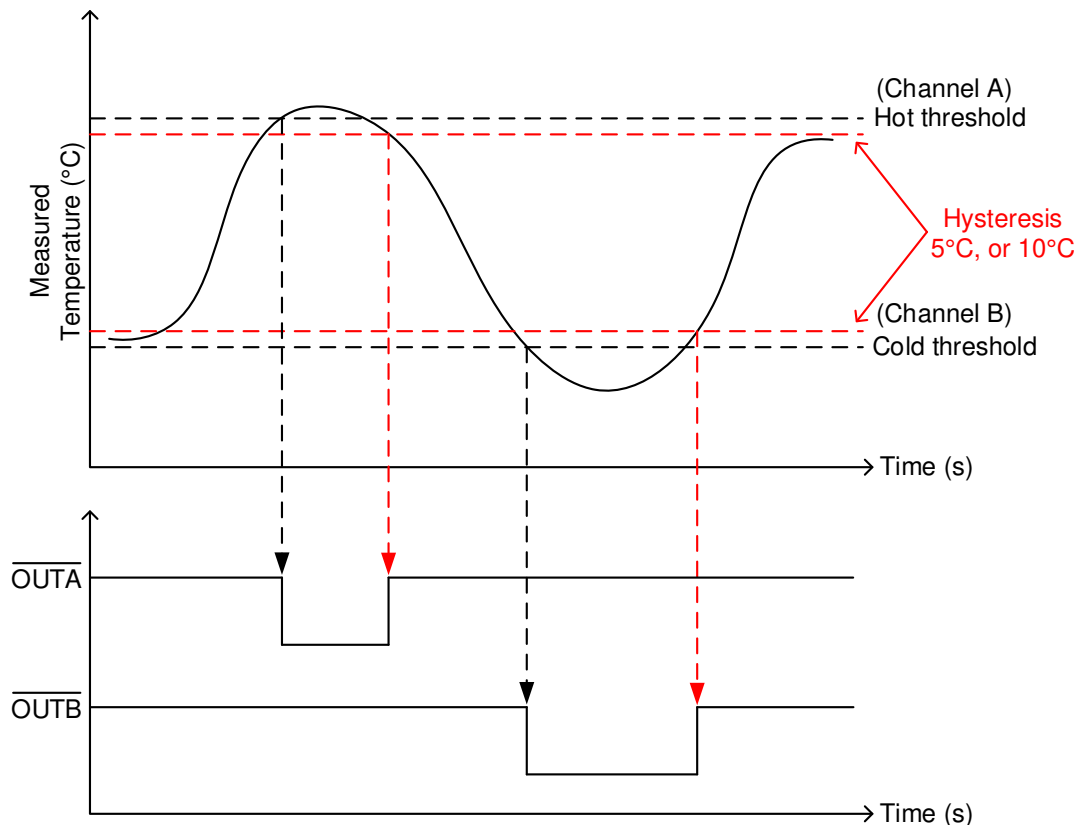
measurements match. When the measurements match, the channel output is released. Note that it is possible to connect some device outputs together by shorting the  $\overline{\text{OUTA}}$  or  $\overline{\text{OUTB}}$  line.

### 8.2.1.2 Detailed Design Procedure

The resistor to ground values on the SETA input sets the  $T_{\text{TRIP}}$  threshold of Channel A. The resistor to ground value on the SETB input sets the  $T_{\text{TRIP}}$  threshold of Channel B as well as the  $T_{\text{HYST}}$  5°C and 10°C options. TI recommends that the resistors at SETA and SETB have a 1% tolerance at room temperature. Each resistor can range from 1.05 kΩ to 909 kΩ, representing one of 48 unique values. The exact temperature thresholds and trip points are shown in 表 7-1 and 表 7-2. The pullup resistors should be at least 1 kΩ to minimize internal power dissipation. To get the correct threshold for resistor values, take care to minimize the board level capacitance and leakage at the SETA and SETB pins.

The waveform for the TMP390-Q1 output under the hot/cold thresholds is shown in 图 8-2. The hysteresis can be set to 5°C, 10°C or 20°C. When the temperature exceeds the hot trip point threshold,  $\overline{\text{OUTA}}$  goes low until the temperature drops below the hysteresis threshold. When the temperature drops below the cold trip threshold,  $\overline{\text{OUTB}}$  goes low and returns high after the temperature rises above the hysteresis threshold. If the switch has already tripped and the temperature is in the hysteresis band, a POR event will cause the output to go high after the power is restored.

### 8.2.1.3 Application Curves



**图 8-2. TMP390-Q1 Output With Hot/Cold Thresholds With Hysteresis**

## 8.2.2 TMP390-Q1 With 10°C Hysteresis

Figure 8-3 shows an example circuit for overtemperature and undertemperature protection using the TMP390-Q1. In this example, the trip points are set at  $-25^{\circ}\text{C}$  and  $+90^{\circ}\text{C}$  with  $10^{\circ}\text{C}$  hysteresis.

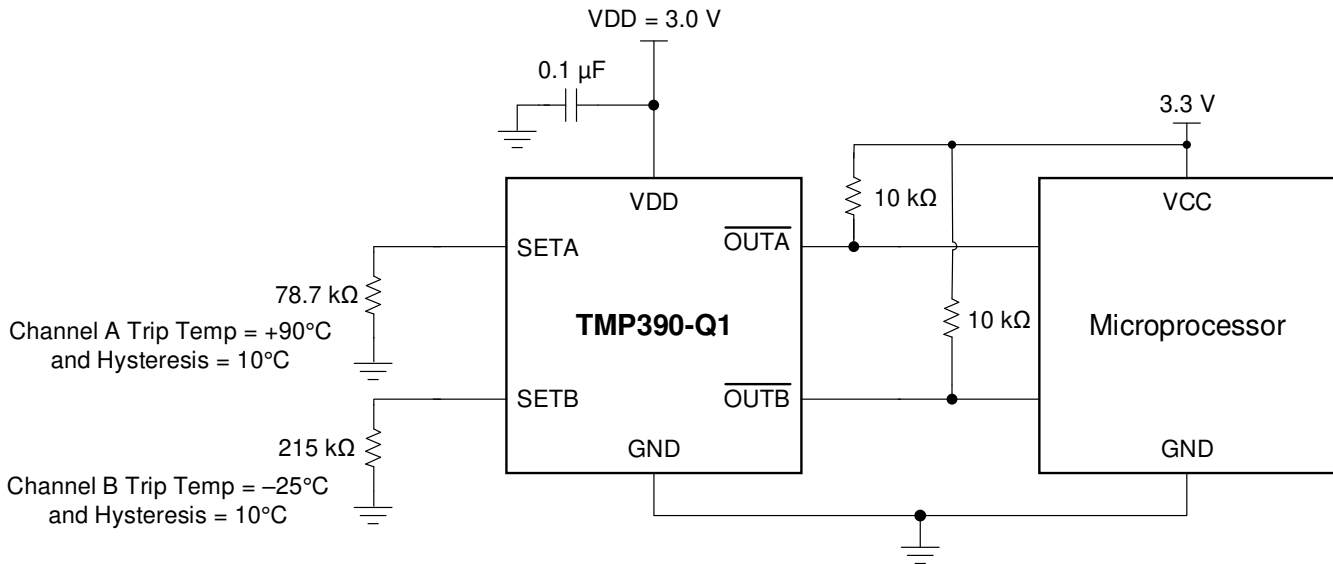


Figure 8-3. TMP390-Q1 Example Circuit at  $+90^{\circ}\text{C}$  and  $-25^{\circ}\text{C}$  Thresholds With  $10^{\circ}\text{C}$  Hysteresis

### 8.2.2.1 Design Requirements

In this example, VDD can be  $\geq 3\text{ V}$ . The output pins may be tied to a switch to control a fan or other analog circuitry. This example uses  $10\text{-k}\Omega$  pullup resistors at the  $\overline{\text{OUTA}}$  and  $\overline{\text{OUTB}}$  outputs. Place a  $0.1\text{-}\mu\text{F}$  bypass capacitor close to the TMP390-Q1 device to reduce noise coupled from the power supply. If needed, the output of multiple parts can be connected together.

### 8.2.2.2 Detailed Design Procedure

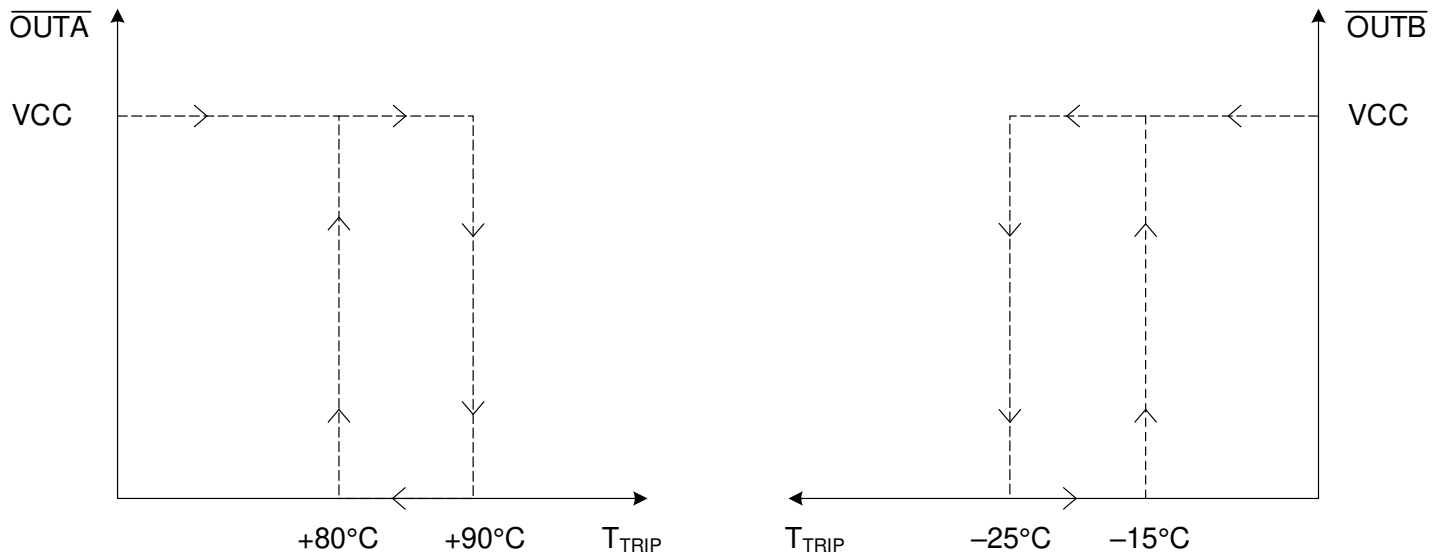
SETA sets the  $+90^{\circ}\text{C}$  threshold using  $78.7\text{ k}\Omega$ . SETB sets the  $-25^{\circ}\text{C}$  trip point and  $10^{\circ}\text{C}$  hysteresis using  $215\text{ k}\Omega$ . These values were determined using Table 7-1 and Table 7-2. These resistors should have maximum of 1% tolerance and  $100\text{ ppm}/^{\circ}\text{C}$  or less over the desired temperature range. A summary of the resistor settings used in this example is shown in Table 8-1. See Table 7-1 and Table 7-2 for additional trip points and hysteresis configurations.

The switching output of the TMP390-Q1 can be visualized with the output diagram shown in Figure 8-4. It is key to notice that hysteresis is subtracted from the Channel A threshold and added to the Channel B threshold values.  $\overline{\text{OUTA}}$  remains high until the sensor reaches  $+90^{\circ}\text{C}$  where the output goes low, and returns high after the temperature drops back down to  $+80^{\circ}\text{C}$ .  $\overline{\text{OUTB}}$  trips when the temperature stays below  $-25^{\circ}\text{C}$  and goes low until the temperature rises above  $-15^{\circ}\text{C}$ .

Table 8-1. Example Resistor Settings and Trip Points

CHANNEL	RESISTOR SETTING (kΩ)	HYSTERESIS ( $^{\circ}\text{C}$ )	TRIP TEMPERATURE ( $^{\circ}\text{C}$ )
SETA	78.7	10	+90
SETB	215		-25

### 8.2.2.3 Application Curve



8-4. TMP390-Q1 Output Response With Hysteresis

### 8.2.3 One Channel Operation for Hot Trip Point up to 124°C

Figure 8-5 shows the TMP390-Q1 configured for one channel operation, with a single resistor to set the hot trip point and hysteresis. Table 8-2 shows the possible resistor values and hysteresis values that may be used for one channel applications.

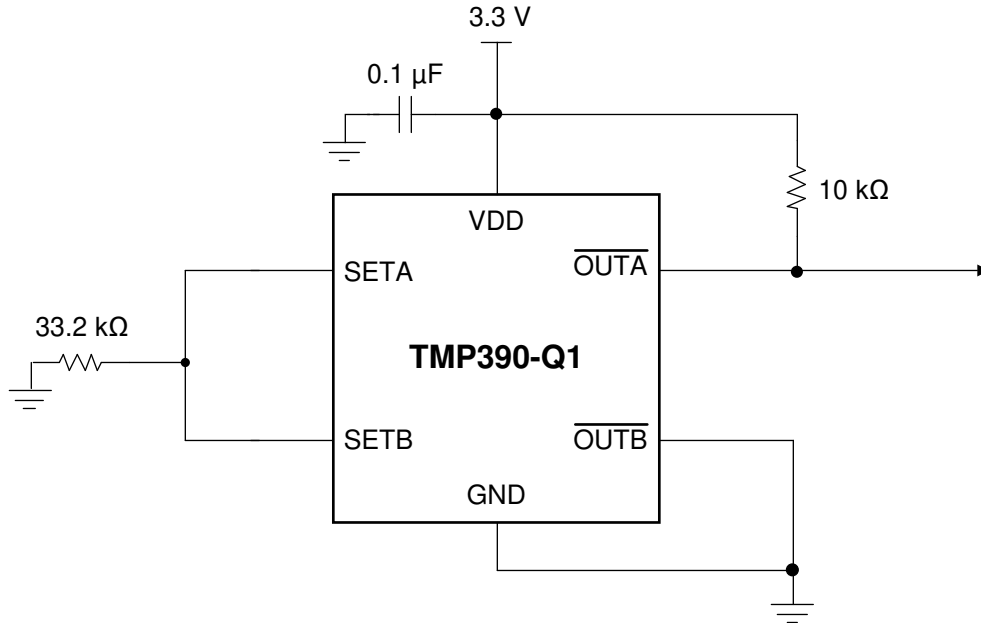


Figure 8-5. TMP390-Q1 One Channel (Hot) Operation Example Circuit With 78°C Trip Point and 5°C Hysteresis

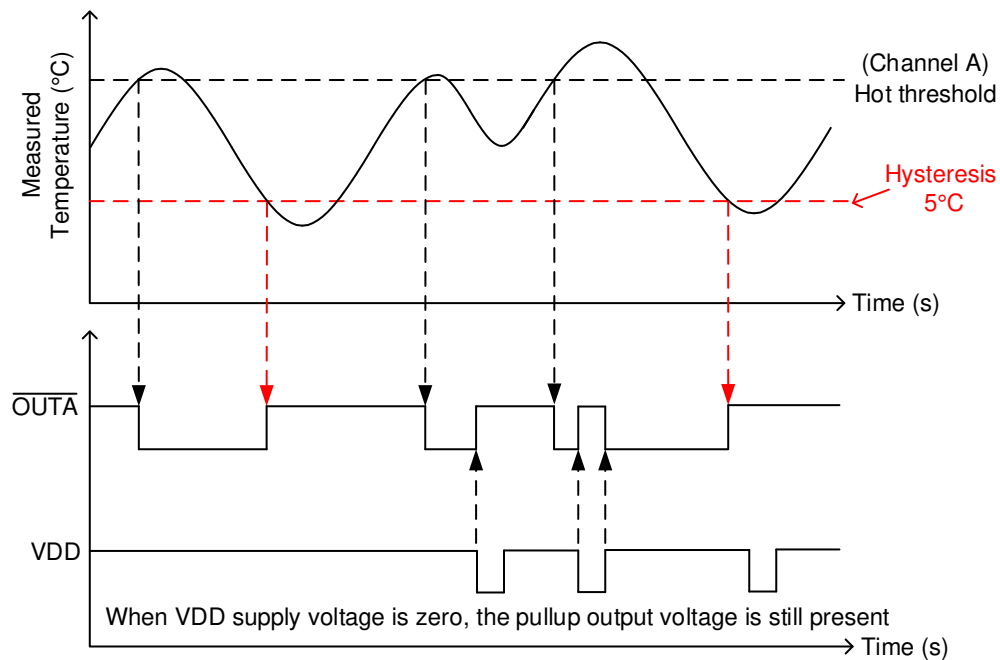
Table 8-2. Single Resistor One Channel Setting

NOMINAL 1% RESISTOR (KΩ)	CHANNEL A TRIP TEMPERATURE (°C)	HYSTERESIS (°C)
10.5	62	5
12.1	64	5
14.0	66	5
16.2	68	5
18.7	70	5
21.5	72	5
24.9	74	5
28.7	76	5
33.2	78	5
38.3	80	5
44.2	82	5
51.1	84	5
59.0	86	5
68.1	88	5
78.7	90	5
90.0	92	5
105	94	10
121	96	10
140	98	10
162	100	10
187	102	10

**表 8-2. Single Resistor One Channel Setting (continued)**

NOMINAL 1% RESISTOR (KΩ)	CHANNEL A TRIP TEMPERATURE (°C)	HYSTERESIS (°C)
215	104	10
249	106	10
287	108	10
332	110	10
383	112	10
442	114	10
511	116	10
590	118	10
681	120	10
787	122	10
909	124	10

**8.2.3.1 Application Curve**



**图 8-6. TMP390-Q1 One Channel (Hot) Operation Thresholds and Hysteresis**



### 8.2.4 One Channel Operation for Cold Trip Point

Figure 8-7 shows the TMP390-Q1 configured for one channel operation, with a single resistor to set the warm trip point and hysteresis. The resistor values for one channel warm trip point is same as described in Table 7-2.

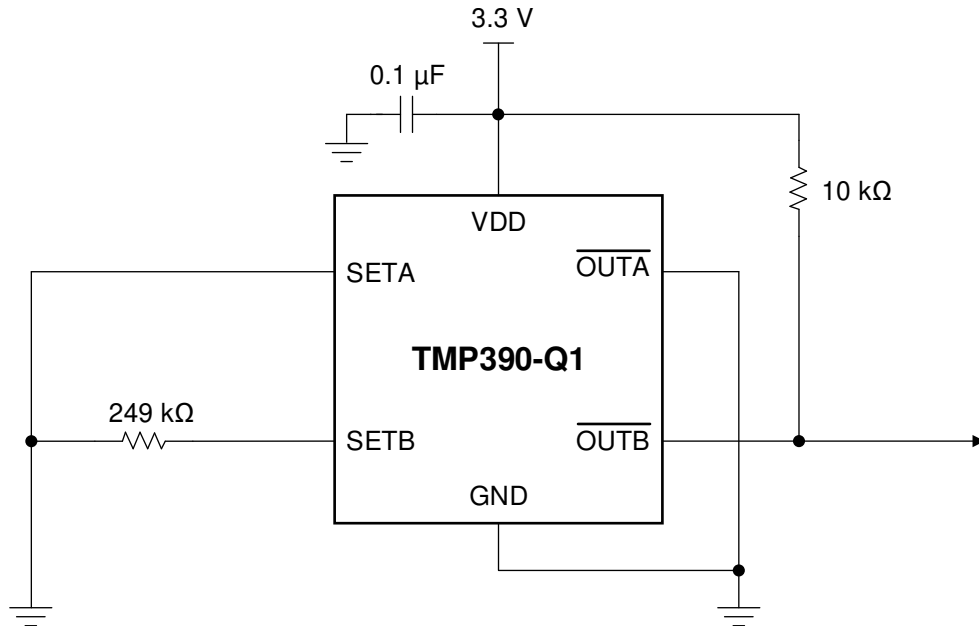


Figure 8-7. TMP390-Q1 One Channel (Cold) Operation Example Circuit With  $-20^{\circ}\text{C}$  Trip Point and  $10^{\circ}\text{C}$  Hysteresis

#### 8.2.4.1 Application Curve

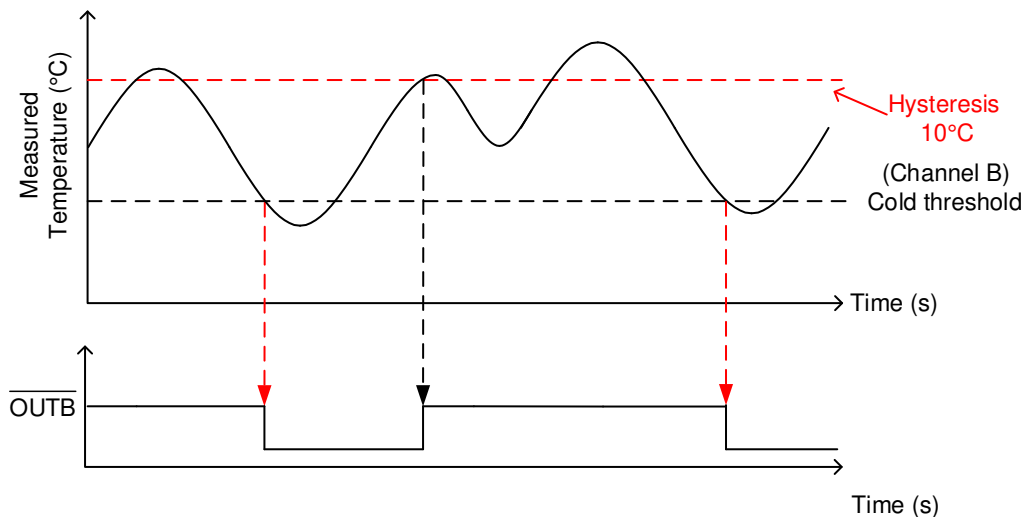


Figure 8-8. TMP390-Q1 One Channel (Cold) Operation Thresholds and Hysteresis


## 9 Power Supply Recommendations

The low supply current and wide supply range of the TMP390-Q1 allow the device to be powered from many sources. VDDIO must always be lower than or equal to  $VDD + 0.3\text{ V}$ .

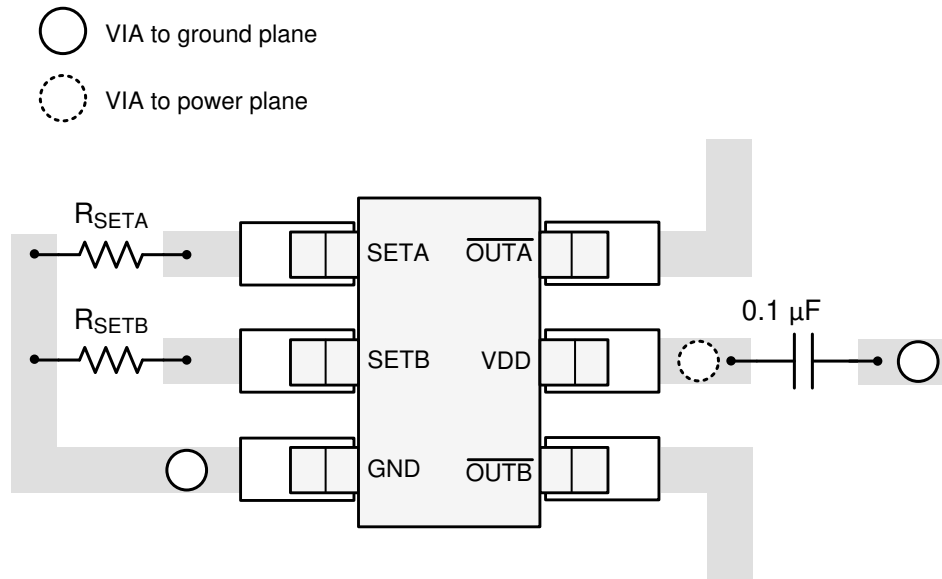
Power supply bypassing is strongly recommended by adding a  $0.1\text{-}\mu\text{F}$  capacitor from VDD to GND. In noisy environments, TI recommends to add a filter with  $0.1\text{-}\mu\text{F}$  capacitor and  $100\text{-}\Omega$  resistor between external supply and VDD to limit the power supply noise.

## 10 Layout

### 10.1 Layout Guidelines

The TMP390-Q1 is extremely simple to layout. Place the power supply bypass capacitor as close to the device as possible, and connect the capacitor as shown in  10-1. Place the  $R_{SETA}$  and  $R_{SETB}$  resistors as close to the device as possible. Carefully consider the resistor placement to avoid additional leakage or parasitic capacitance, as this may affect the actual resistor sense value for the trip thresholds and hysteresis. If there is a possibility of moisture condensation on the SETA and SETB circuits, which may lead to additional leakage current, consider adding a conformal coating to the circuits.

### 10.2 Layout Example



 10-1. TMP390-Q1 Recommended Layout

## 11 Device and Documentation Support

### 11.1 Receiving Notification of Documentation Updates

To receive notification of documentation updates, navigate to the device product folder on [ti.com](https://www.ti.com). Click on *Subscribe to updates* to register and receive a weekly digest of any product information that has changed. For change details, review the revision history included in any revised document.

### 11.2 サポート・リソース

[TI E2E™ サポート・フォーラム](#)は、エンジニアが検証済みの回答と設計に関するヒントをエキスパートから迅速かつ直接得ることができる場所です。既存の回答を検索したり、独自の質問をしたりすることで、設計に必要な支援を迅速に得ることができます。

リンクされているコンテンツは、該当する貢献者により、現状のまま提供されるものです。これらは TI の仕様を構成するものではなく、必ずしも TI の見解を反映したものではありません。TI の[使用条件](#)を参照してください。

### 11.3 Trademarks

TI E2E™ is a trademark of Texas Instruments.

すべての商標は、それぞれの所有者に帰属します。

### 11.4 Electrostatic Discharge Caution



This integrated circuit can be damaged by ESD. Texas Instruments recommends that all integrated circuits be handled with appropriate precautions. Failure to observe proper handling and installation procedures can cause damage.

ESD damage can range from subtle performance degradation to complete device failure. Precision integrated circuits may be more susceptible to damage because very small parametric changes could cause the device not to meet its published specifications.

### 11.5 Glossary

[TI Glossary](#) This glossary lists and explains terms, acronyms, and definitions.

## 12 Mechanical, Packaging, and Orderable Information

The following pages include mechanical, packaging, and orderable information. This information is the most current data available for the designated devices. This data is subject to change without notice and revision of this document. For browser-based versions of this data sheet, refer to the left-hand navigation.

**PACKAGING INFORMATION**

Orderable Device	Status (1)	Package Type	Package Drawing	Pins	Package Qty	Eco Plan (2)	Lead finish/ Ball material (6)	MSL Peak Temp (3)	Op Temp (°C)	Device Marking (4/5)	Samples
TMP390AQDRLRQ1	ACTIVE	SOT-5X3	DRL	6	4000	RoHS & Green	NIPDAU	Level-1-260C-UNLIM	-55 to 130	1G1	Samples
TMP390AQDRLTQ1	OBSOLETE	SOT-5X3	DRL	6		TBD	Call TI	Call TI	-55 to 130	1G1	

(1) The marketing status values are defined as follows:

**ACTIVE:** Product device recommended for new designs.

**LIFEBUY:** TI has announced that the device will be discontinued, and a lifetime-buy period is in effect.

**NRND:** Not recommended for new designs. Device is in production to support existing customers, but TI does not recommend using this part in a new design.

**PREVIEW:** Device has been announced but is not in production. Samples may or may not be available.

**OBSOLETE:** TI has discontinued the production of the device.

(2) **RoHS:** TI defines "RoHS" to mean semiconductor products that are compliant with the current EU RoHS requirements for all 10 RoHS substances, including the requirement that RoHS substance do not exceed 0.1% by weight in homogeneous materials. Where designed to be soldered at high temperatures, "RoHS" products are suitable for use in specified lead-free processes. TI may reference these types of products as "Pb-Free".

**RoHS Exempt:** TI defines "RoHS Exempt" to mean products that contain lead but are compliant with EU RoHS pursuant to a specific EU RoHS exemption.

**Green:** TI defines "Green" to mean the content of Chlorine (Cl) and Bromine (Br) based flame retardants meet JS709B low halogen requirements of <=1000ppm threshold. Antimony trioxide based flame retardants must also meet the <=1000ppm threshold requirement.

(3) MSL, Peak Temp. - The Moisture Sensitivity Level rating according to the JEDEC industry standard classifications, and peak solder temperature.

(4) There may be additional marking, which relates to the logo, the lot trace code information, or the environmental category on the device.

(5) Multiple Device Markings will be inside parentheses. Only one Device Marking contained in parentheses and separated by a "~" will appear on a device. If a line is indented then it is a continuation of the previous line and the two combined represent the entire Device Marking for that device.

(6) Lead finish/Ball material - Orderable Devices may have multiple material finish options. Finish options are separated by a vertical ruled line. Lead finish/Ball material values may wrap to two lines if the finish value exceeds the maximum column width.

**Important Information and Disclaimer:**The information provided on this page represents TI's knowledge and belief as of the date that it is provided. TI bases its knowledge and belief on information provided by third parties, and makes no representation or warranty as to the accuracy of such information. Efforts are underway to better integrate information from third parties. TI has taken and continues to take reasonable steps to provide representative and accurate information but may not have conducted destructive testing or chemical analysis on incoming materials and chemicals. TI and TI suppliers consider certain information to be proprietary, and thus CAS numbers and other limited information may not be available for release.

In no event shall TI's liability arising out of such information exceed the total purchase price of the TI part(s) at issue in this document sold by TI to Customer on an annual basis.

**OTHER QUALIFIED VERSIONS OF TMP390-Q1 :**

- Catalog : [TMP390](#)

NOTE: Qualified Version Definitions:

- Catalog - TI's standard catalog product

**TAPE AND REEL INFORMATION**

**QUADRANT ASSIGNMENTS FOR PIN 1 ORIENTATION IN TAPE**


\*All dimensions are nominal

Device	Package Type	Package Drawing	Pins	SPQ	Reel Diameter (mm)	Reel Width W1 (mm)	A0 (mm)	B0 (mm)	K0 (mm)	P1 (mm)	W (mm)	Pin1 Quadrant
TMP390AQDRLRQ1	SOT-5X3	DRL	6	4000	180.0	8.4	1.98	1.78	0.69	4.0	8.0	Q3

**TAPE AND REEL BOX DIMENSIONS**


\*All dimensions are nominal

Device	Package Type	Package Drawing	Pins	SPQ	Length (mm)	Width (mm)	Height (mm)
TMP390AQDRLRQ1	SOT-5X3	DRL	6	4000	183.0	183.0	20.0

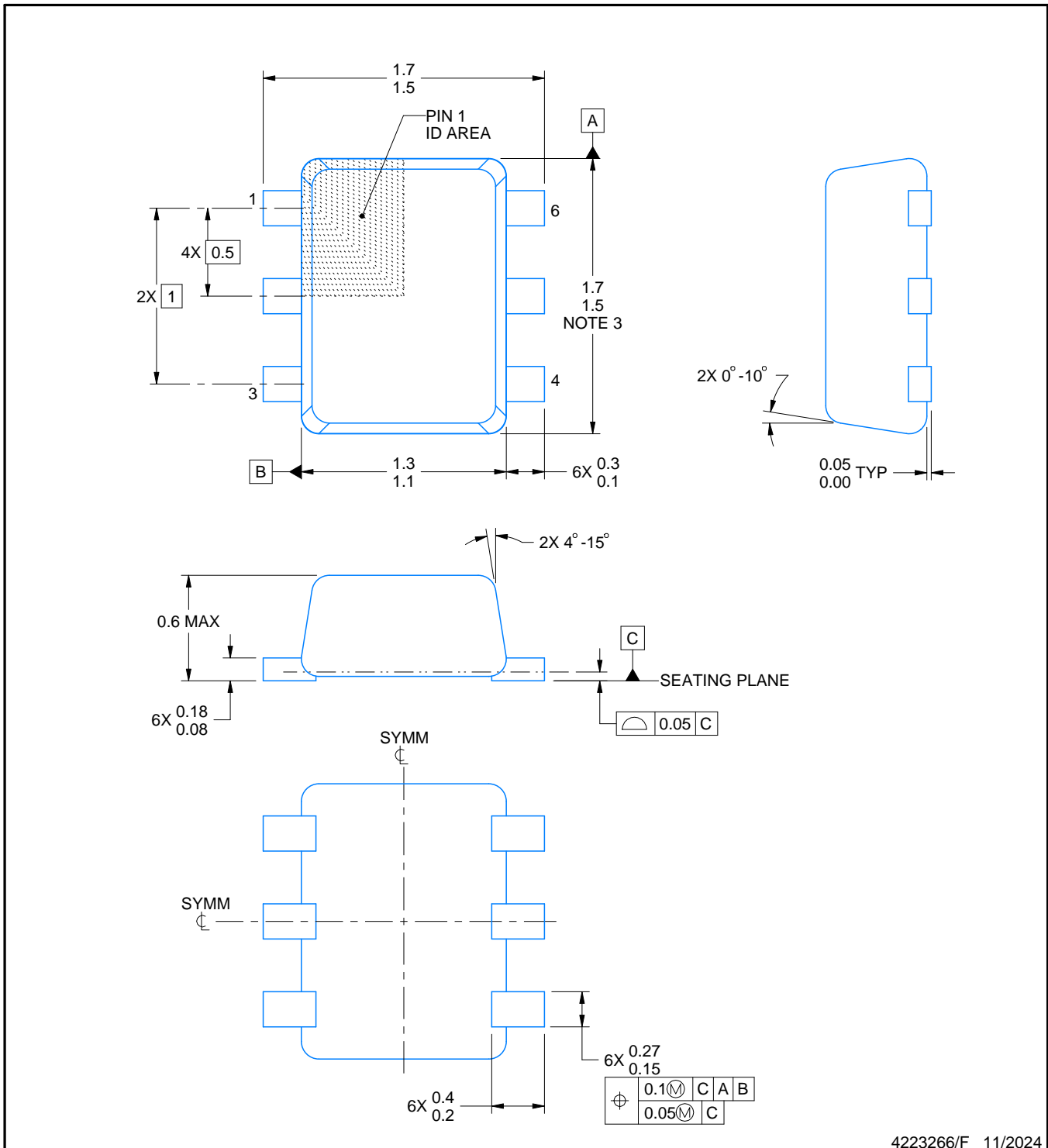
# DRL0006A



# PACKAGE OUTLINE

## SOT - 0.6 mm max height

PLASTIC SMALL OUTLINE



4223266/F 11/2024

### NOTES:

1. All linear dimensions are in millimeters. Any dimensions in parenthesis are for reference only. Dimensioning and tolerancing per ASME Y14.5M.
2. This drawing is subject to change without notice.
3. This dimension does not include mold flash, protrusions, or gate burrs. Mold flash, protrusions, or gate burrs shall not exceed 0.15 mm per side.
4. Reference JEDEC registration MO-293 Variation UAAD

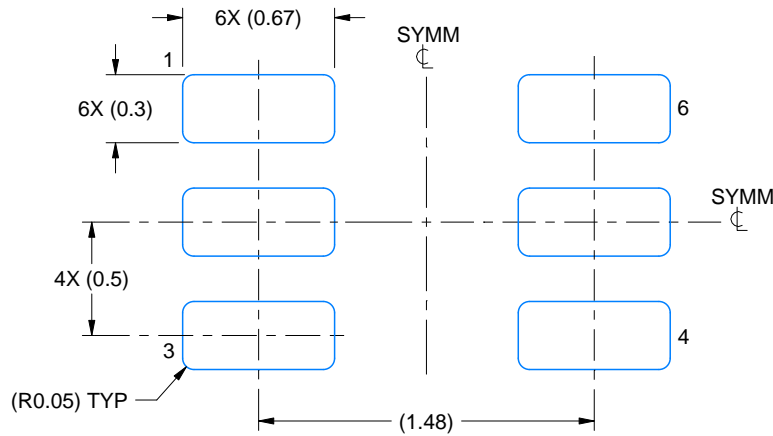


# EXAMPLE BOARD LAYOUT

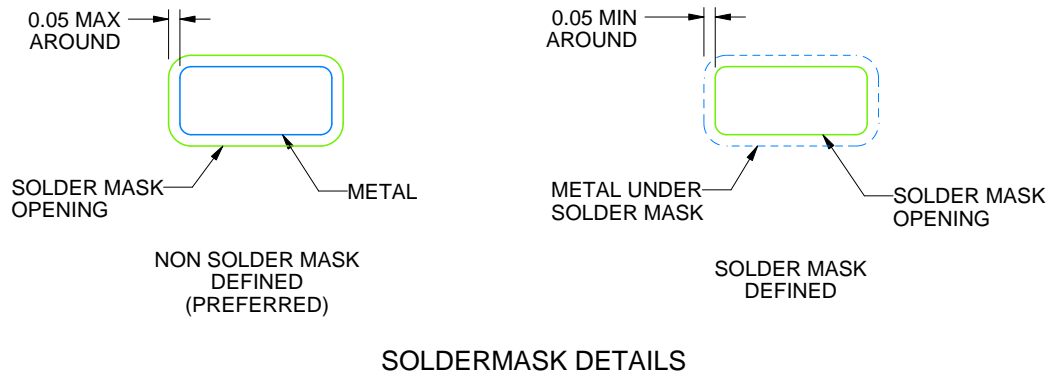
DRL0006A

SOT - 0.6 mm max height

PLASTIC SMALL OUTLINE



LAND PATTERN EXAMPLE  
SCALE:30X



SOLDERMASK DETAILS

4223266/F 11/2024

NOTES: (continued)

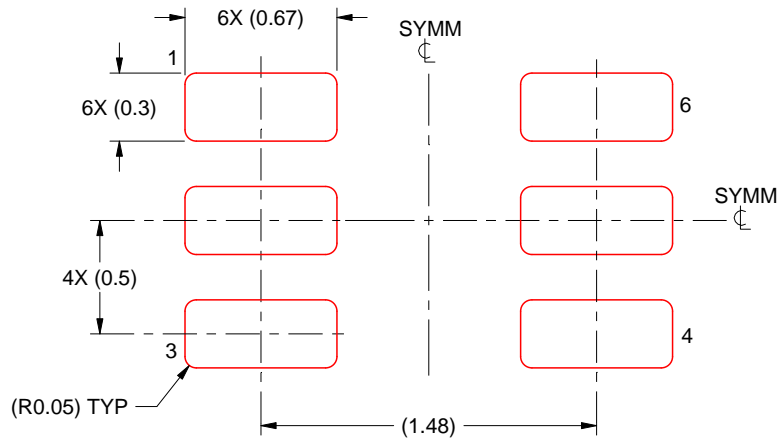
5. Publication IPC-7351 may have alternate designs.
6. Solder mask tolerances between and around signal pads can vary based on board fabrication site.
7. Land pattern design aligns to IPC-610, Bottom Termination Component (BTC) solder joint inspection criteria.

# EXAMPLE STENCIL DESIGN

DRL0006A

SOT - 0.6 mm max height

PLASTIC SMALL OUTLINE



SOLDER PASTE EXAMPLE  
BASED ON 0.1 mm THICK STENCIL  
SCALE:30X

4223266/F 11/2024

NOTES: (continued)

8. Laser cutting apertures with trapezoidal walls and rounded corners may offer better paste release. IPC-7525 may have alternate design recommendations.
9. Board assembly site may have different recommendations for stencil design.

## 重要なお知らせと免責事項

テキサス・インスツルメンツは、技術データと信頼性データ(データシートを含みます)、設計リソース(リファレンス デザインを含みます)、アプリケーションや設計に関する各種アドバイス、Web ツール、安全性情報、その他のリソースを、欠陥が存在する可能性のある「現状のまま」提供しており、商品性および特定目的に対する適合性の黙示保証、第三者の知的財産権の非侵害保証を含むいかなる保証も、明示的または黙示的にかかわらず拒否します。

これらのリソースは、テキサス・インスツルメンツ製品を使用する設計の経験を積んだ開発者への提供を意図したものです。(1) お客様のアプリケーションに適したテキサス・インスツルメンツ製品の選定、(2) お客様のアプリケーションの設計、検証、試験、(3) お客様のアプリケーションに該当する各種規格や、その他のあらゆる安全性、セキュリティ、規制、または他の要件への確実な適合に関する責任を、お客様のみが単独で負うものとします。

上記の各種リソースは、予告なく変更される可能性があります。これらのリソースは、リソースで説明されているテキサス・インスツルメンツ製品を使用するアプリケーションの開発の目的でのみ、テキサス・インスツルメンツはその使用をお客様に許諾します。これらのリソースに関して、他の目的で複製することや掲載することは禁止されています。テキサス・インスツルメンツや第三者の知的財産権のライセンスが付与されている訳ではありません。お客様は、これらのリソースを自身で使用した結果発生するあらゆる申し立て、損害、費用、損失、責任について、テキサス・インスツルメンツおよびその代理人を完全に補償するものとし、テキサス・インスツルメンツは一切の責任を拒否します。

テキサス・インスツルメンツの製品は、[テキサス・インスツルメンツの販売条件](#)、または [ti.com](https://www.ti.com) やかかるテキサス・インスツルメンツ製品の関連資料などのいずれかを通じて提供する適用可能な条項の下で提供されています。テキサス・インスツルメンツがこれらのリソースを提供することは、適用されるテキサス・インスツルメンツの保証または他の保証の放棄の拡大や変更を意味するものではありません。

お客様がいかなる追加条項または代替条項を提案した場合でも、テキサス・インスツルメンツはそれらに異議を唱え、拒否します。

郵送先住所：Texas Instruments, Post Office Box 655303, Dallas, Texas 75265  
Copyright © 2025, Texas Instruments Incorporated