

# TPS65987DDK USB4 および Thunderbolt 4 デバイス向け、パワー・スイッチ内蔵 USB Type-C および USB PD コントローラ

## 1 特長

- USB-IF による PD3.0 認証済みデバイス
  - 新しい USB PD 設計の認証には PD3.0 シリコンが必要
    - TID#:5431
  - [PD2.0 と PD3.0 の比較](#)の記事
- TPS65987DDK は、USB4 および Thunderbolt 4 (TBT4) デバイスの PD3.0 コントローラです。
  - この PD コントローラは USB4 デバイスの設計でのみ使用できます。
  - インテル社のリファレンス・デザイン (文書番号 631605) を参照してください。
  - USB4 デバイス以外の設計に使う場合、セレクション・ガイドと設計開始に必要な情報 ([www.ti.com/usb-c](http://www.ti.com/usb-c)、[E2E ガイド](#)) を参照してください。
- 完全に管理されたパワー・パスを内蔵
  - 2 つの 5~20V、5A、25mΩ 双方向スイッチを内蔵
  - UL2367 認証番号:20190107-E169910
  - IEC62368-1 認証番号:US-34617-UL
- 堅牢なパワー・パス保護機能を内蔵
  - シンクに構成した場合、両方の 20V/5A パワー・パスの逆電流保護、低電圧保護、過電圧保護、スローレート制御機能を内蔵
  - ソースに構成した場合、両方の 20V/5A パワー・パスの低電圧保護、過電圧保護、突入電流保護のための電流制限機能を内蔵
- USB Type-C® 電力供給 (PD) コントローラ
  - 13 本の構成可能な GPIO
  - USB PD 3.0 認証済み
  - USB Type-C 仕様に準拠
  - ケーブルの取り付けと方向の検出
  - VCONN スイッチを内蔵
  - 物理レイヤおよびポリシー・エンジン
  - デッド・バッテリー・サポート用の 3.3V LDO 出力
  - 3.3V または VBUS 電源からの電力供給
  - 1 つの I2C プライマリまたはセカンダリ・ポート
  - 1 つの I2C セカンダリ専用ポート

## 2 アプリケーション

- [ドッキング・システム](#)
- [モニタ](#)
- [USB4 ハブ](#)

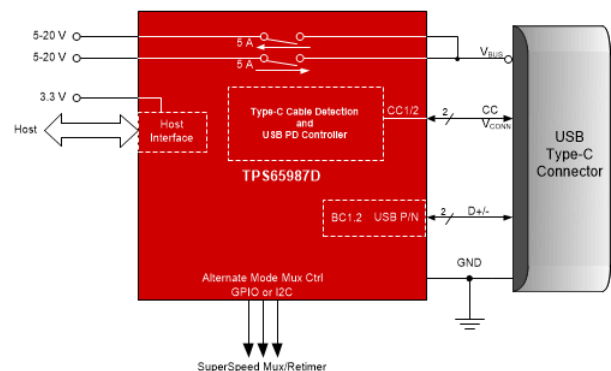
## 3 概要

TPS65987DDK は、USB4 および TBT4 デバイス向けに最適化された高集積スタンドアロン USB Type-C および PD (Power Delivery) コントローラです。TPS65987DDK は完全に管理されたパワー・パスを堅牢な保護機能と統合することで包括的な USB-C PD ソリューションを実現しています。TPS65987DDK は、スタンドアロンの USB Type-C および PD (Power Delivery) コントローラであり、1 本の USB Type-C コネクタのケーブルのプラグおよび向きを検出します。ケーブルを検出すると、TPS65987DDK は USB PD プロトコルを使用して CC ワイヤで通信を行います。ケーブルを検出し、USB PD ネゴシエーションが完了すると、TPS65987DDK は適切な電力経路を有効にし、外部のマルチプレクサ用に代替モード設定を構成します。このデバイスは、インテル社の USB4 および TBT4 デバイス最終製品リファレンス・デザインに採用されています。このリファレンス・デザインは、この種の設計において本 PD コントローラがシステム・レベルで適切に機能することを保証しています。これにより、システム設計の複雑さが大幅に緩和され、その結果、開発期間を大幅に短縮できます。

### 製品情報

部品番号	パッケージ <sup>(1)</sup>	本体サイズ (公称)
TPS65987DDK	QFN (56)	7.00mm × 7.00mm

- (1) 利用可能なすべてのパッケージについては、このデータシートの末尾にある注文情報を参照してください。



概略回路図



## Table of Contents

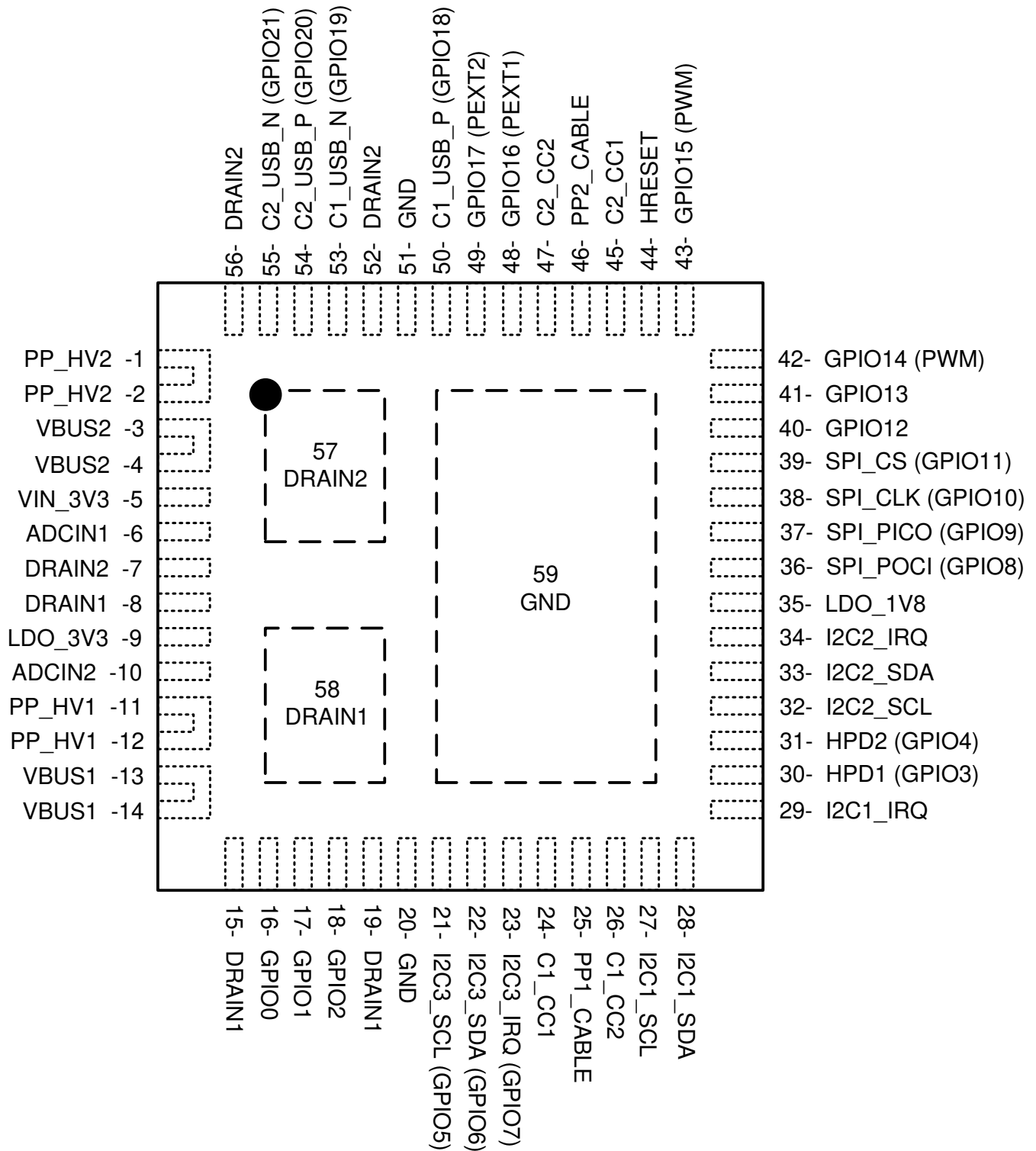
<b>1 特長</b> .....	1	8.3 Feature Description.....	19
<b>2 アプリケーション</b> .....	1	8.4 Device Functional Modes.....	39
<b>3 概要</b> .....	1	<b>9 Application and Implementation</b> .....	42
<b>4 Revision History</b> .....	2	9.1 Application Information.....	42
<b>5 Pin Configuration and Functions</b> .....	3	9.2 Typical Applications.....	42
<b>6 Specifications</b> .....	7	<b>10 Power Supply Recommendations</b> .....	47
6.1 Absolute Maximum Ratings.....	7	10.1 3.3-V Power.....	47
6.2 ESD Ratings.....	7	10.2 1.8-V Power.....	47
6.3 Recommended Operating Conditions.....	7	10.3 Recommended Supply Load Capacitance.....	47
6.4 Thermal Information.....	8	<b>11 Layout</b> .....	48
6.5 Power Supply Requirements and Characteristics.....	8	11.1 Layout Guidelines.....	48
6.6 Power Consumption Characteristics.....	9	11.2 Layout Example.....	48
6.7 Power Switch Characteristics.....	9	11.3 Component Placement.....	49
6.8 Cable Detection Characteristics.....	11	11.4 Routing PP_HV1/2, VBUS, PP_CABLE, VIN_3V3, LDO_3V3, LDO_1V8.....	50
6.9 USB-PD Baseband Signal Requirements and Characteristics.....	12	11.5 Routing CC and GPIO.....	51
6.10 Thermal Shutdown Characteristics.....	13	11.6 Thermal Dissipation for FET Drain Pads.....	52
6.11 Oscillator Characteristics.....	13	<b>12 Device and Documentation Support</b> .....	55
6.12 I/O Characteristics.....	13	12.1 Device Support.....	55
6.13 I <sup>2</sup> C Requirements and Characteristics.....	14	12.2 Documentation Support.....	55
6.14 SPI Controller Timing Requirements.....	15	12.3 サポート・リソース.....	55
6.15 HPD Timing Requirements.....	16	12.4 Trademarks.....	55
6.16 Typical Characteristics.....	16	12.5 Electrostatic Discharge Caution.....	55
<b>7 Parameter Measurement Information</b> .....	17	12.6 Glossary.....	55
<b>8 Detailed Description</b> .....	18	<b>13 Mechanical, Packaging, and Orderable Information</b> .....	55
8.1 Overview.....	18		
8.2 Functional Block Diagram.....	19		

## 4 Revision History

Changes from Revision * (September 2020) to Revision A (August 2021)	Page
• 「特長」一覧を更新.....	1
• ドキュメントのタイトルを更新.....	1
• 文書全体で、SPI に言及している場合、従来の用語をコントローラ / ペリフェラルに変更.....	1
• 「概要」セクションを更新.....	1

Changes from Revision * (September 2020) to Revision A (August 2021)	Page
• 「特長」一覧を更新.....	1
• ドキュメントのタイトルを更新.....	1
• 文書全体で、SPI に言及している場合、従来の用語をコントローラ / ペリフェラルに変更.....	1
• 「概要」セクションを更新.....	1

## 5 Pin Configuration and Functions



5-1. RSH Package 56-Pin QFN Top View

表 5-1. Pin Functions

PIN		TYPE <sup>(2)</sup>	RESET STATE <sup>(1)</sup>	DESCRIPTION
NAME	NO.			
ADCIN1	6	I	Input	Boot configuration Input. Connect to resistor divider between LDO_3V3 and GND.
ADCIN2	10	I	Input	I2C address configuration Input. Connect to resistor divider between LDO_3V3 and GND.
C_CC1	24	I/O	High-Z	Output to Type-C CC or VCONN pin . Filter noise with capacitor to GND.
C_CC2	26	I/O	High-Z	Output to Type-C CC or VCONN pin . Filter noise with capacitor to GND.
C_USB_N (GPIO19)	53	I/O	Input (High-Z)	USB D– connection for BC1.2 support.
C_USB_P (GPIO18)	50	I/O	Input (High-Z)	USB D+ connection for BC1.2 support.
DRAIN1	8, 15, 19, 58	—	—	Drain of internal power path 1. Connect thermal pad 58 to as big of pad as possible on PCB for best thermal performance. Short the other pins to this thermal pad.
DRAIN2	7, 52, 56, 57	—	—	Drain of internal power path 2. Connect thermal pad 57 to as big of pad as possible on PCB for best thermal performance. Short the other pins to this thermal pad.
GND	20, 45 , 46, 47, 51	—	—	Unused pin. Tie to GND.
GPIO0	16	I/O	Input (High-Z)	General Purpose Digital I/O 0. Float pin when unused. GPIO0 is asserted low during the TPS65987DDK boot process. Once device configuration and patches are loaded GPIO0 is released.
GPIO1	17	I/O	Input (High-Z)	General Purpose Digital I/O 1. Ground pin with a 1-MΩ resistor when unused in the application.
GPIO2	18	I/O	Input (High-Z)	General Purpose Digital I/O 2. Float pin when unused.
GPIO3 (HPD)	30	I/O	Input (High-Z)	General Purpose Digital I/O 3. Configured as Hot Plug Detect (HPD) TX and RX when DisplayPort alternate mode is enabled. Float pin when unused.
GPIO4	31	I/O	Input (High-Z)	General Purpose Digital I/O 4. Float pin when unused.
I2C3_SCL (GPIO5)	21	I/O	Input (High-Z)	I2C port 3 serial clock. Open-drain output. Tie pin to I/O voltage through a 10-kΩ resistance when used. Float pin when unused.
I2C3_SDA (GPIO6)	22	I/O	Input (High-Z)	I2C port 3 serial data. Open-drain output. Tie pin to I/O voltage through a 10-kΩ resistance when used. Float pin when unused.
I2C3_IRQ (GPIO7)	23	I/O	Input (High-Z)	I2C port 3 interrupt detection (port 3 operates as an I2C Master Only). Active low detection. Connect to the I2C slave's interrupt line to detect when the slave issues an interrupt. Float pin when unused.
GPIO12	40	I/O	Input (High-Z)	General Purpose Digital I/O 12. Float pin when unused.
GPIO13	41	I/O	Input (High-Z)	General Purpose Digital I/O 13. Float pin when unused.
GPIO14 (PWM)	42	I/O	Input (High-Z)	General Purpose Digital I/O 14. May also function as a PWM output. Float pin when unused.
GPIO15 (PWM)	43	I/O	Input (High-Z)	General Purpose Digital I/O 15. May also function as a PWM output. Float pin when unused.

**表 5-1. Pin Functions (continued)**

PIN		TYPE <sup>(2)</sup>	RESET STATE <sup>(1)</sup>	DESCRIPTION
NAME	NO.			
GPIO16 (PP_EXT1)	48	I/O	Input (High-Z)	General Purpose Digital I/O 16. May also function as single wire enable signal for external power path 1. Pull-down with external resistor when used for external path control. Float pin when unused.
GPIO17 (PP_EXT2)	49	I/O	Input (High-Z)	General Purpose Digital I/O 17. May also function as single wire enable signal for external power path 2. Pull-down with external resistor when used for external path control. Float pin when unused.
GPIO20	54	I/O	Input (High-Z)	General Purpose Digital I/O 20. Float pin when unused.
GPIO21	55	I/O	Input (High-Z)	General Purpose Digital I/O 21. Float pin when unused.
HRESET	44	I/O	Input	Active high hardware reset input. Will reinitialize all device settings. Ground pin when HRESET functionality will not be used.
I2C1_IRQ	29	O	High-Z	I2C port 1 interrupt. Active low. Implement externally as an open drain with a pull-up resistance. Float pin when unused.
I2C1_SCL	27	I/O	High-Z	I2C port 1 serial clock. Open-drain output. Tie pin to I/O voltage through a 10-kΩ resistance when used or unused.
I2C1_SDA	28	I/O	High-Z	I2C port 1 serial data. Open-drain output. Tie pin to I/O voltage through a 10-kΩ resistance when used or unused.
I2C2_IRQ	34	O	High-Z	I2C port 2 interrupt. Active low. Implement externally as an open drain with a pull-up resistance. Float pin when unused.
I2C2_SCL	32	I/O	High-Z	I2C port 2 serial clock. Open-drain output. Tie pin to I/O voltage through a 10-kΩ resistance when used or unused.
I2C2_SDA	33	I/O	High-Z	I2C port 2 serial data. Open-drain output. Tie pin to I/O voltage through a 10-kΩ resistance when used or unused.
LDO_1V8	35	PWR	—	Output of the 1.8-V LDO for internal circuitry. Bypass with capacitor to GND
LDO_3V3	9	PWR	—	Output of the VBUS to 3.3-V LDO or connected to VIN_3V3 by a switch. Main internal supply rail. Used to power external flash memory. Bypass with capacitor to GND.
PP_CABLE	25	PWR	—	5-V supply input for port 1 C_CC pins. Bypass with capacitor to GND.
PP_HV1	11, 12	PWR	—	System side of first VBUS power switch. Bypass with capacitor to ground. Tie to ground when unused.
PP_HV2	1, 2	PWR	—	System side of second VBUS power switch. Bypass with capacitor to ground. Tie to ground when unused.
SPI_CLK	38	I/O	Input	SPI serial clock. Ground pin when unused.
SPI_POCI	36	I/O	Input	SPI serial controller input from peripheral. Ground pin when unused.
SPI_PICO	37	I/O	Input	SPI serial controller output to peripheral. Ground pin when unused.
SPI_CS	39	I/O	Input	SPI chip select. Ground pin when unused.
VBUS1	13, 14	PWR	—	Port side of first VBUS power switch. Bypass with capacitor to ground. Tie to VBUS2.

表 5-1. Pin Functions (continued)

PIN		TYPE <sup>(2)</sup>	RESET STATE <sup>(1)</sup>	DESCRIPTION
NAME	NO.			
VBUS2	3, 4	PWR	—	Port side of second VBUS power switch. Bypass with capacitor to ground. Tie to VBUS1.
VIN_3V3	5	PWR	—	Supply for core circuitry and I/O. Bypass with capacitor to GND.
Thermal Pad (PPAD)	59	GND	—	Ground reference for the device as well as thermal pad used to conduct heat. from the device. This connection serves two purposes. The first purpose is to provide an electrical ground connection for the device. The second purpose is to provide a low thermal-impedance path from the device die to the PCB. This pad must be connected to a ground plane.

(1) Reset State indicates the state of a given pin immediately following power application, prior to any configuration from firmware.

(2) I = input, O = output, I/O = bidirectional, GND = ground, PWR = power, NC = no connect.

## 6 Specifications

### 6.1 Absolute Maximum Ratings

over operating free-air temperature range (unless otherwise noted)<sup>(1)</sup>

		MIN	MAX	UNIT
Input voltage <sup>(2)</sup>	PP_CABLE	-0.3	6	V
	VIN_3V3	-0.3	3.6	
Output voltage <sup>(2)</sup>	LDO_1V8	-0.3	2	V
	LDO_3V3	-0.3	3.6	
	I2Cx_IRQ, SPI_PICO, SPI_CLK, SPI_CS, SWD_CLK	-0.3	LDO_3V3 + 0.3 <sup>(3)</sup>	
I/O voltage <sup>(2)</sup>	PP_HVx, VBUSx <sup>(4)</sup>	-0.3	24	V
	I2Cx_SDA, I2Cx_SCL, SPI_POCI, GPIO <sub>n</sub> , HRESET, ADCIN <sub>x</sub>	-0.3	LDO_3V3 + 0.3 <sup>(3)</sup>	
	C_USB_P, C_USB_N	-0.5	6	
	C_CC1, C_CC2	-0.5	6	
Operating junction temperature, T <sub>J</sub>		-10	125	°C
Operating junction temperature PPHV switch, T <sub>J</sub>		-10	150	°C
Storage temperature, T <sub>stg</sub>		-55	150	°C

- (1) Stresses beyond those listed under Absolute Maximum Ratings may cause permanent damage to the device. These are stress ratings only, which do not imply functional operation of the device at these or any other conditions beyond those indicated under Recommended Operating Conditions. Exposure to absolute-maximum-rated conditions for extended periods may affect device reliability.
- (2) All voltage values are with respect to underside power pad. The underside power pad should be directly connected to the ground plane of the board.
- (3) Not to exceed 3.6 V.
- (4) For VBUSx a TVS with a break down voltage falling between the Recommended max and the Abs max value is recommended such as TVS2200.

### 6.2 ESD Ratings

			VALUE	UNIT
V <sub>(ESD)</sub>	Electrostatic discharge	Human body model (HBM), per ANSI/ESDA/JEDEC JS-001, all pins <sup>(1)</sup>	±1500	V
		Charged device model (CDM), per JEDEC specification JESD22-C101, all pins <sup>(2)</sup>	±500	

- (1) JEDEC document JEP155 states that 500-V HBM allows safe manufacturing with a standard ESD control process.
- (2) JEDEC document JEP157 states that 250-V CDM allows safe manufacturing with a standard ESD control process.

### 6.3 Recommended Operating Conditions

over operating free-air temperature range (unless otherwise noted)<sup>(1)</sup>

		MIN	NOM	MAX	UNIT
Input voltage, V <sub>I</sub> <sup>(1)</sup>	VIN_3V3	3.135		3.45	V
	PP_CABLE	2.95		5.5	
	PP_HV	4.5		22	
I/O voltage, V <sub>IO</sub> <sup>(1)</sup>	VBUS	4		22	V
	C_USB_P, C_USB_N	0		LDO_3V3	
	C_CC1, C_CC2	0		5.5	
	GPIO <sub>n</sub> , I2Cx_SDA, I2Cx_SCL, SPI, ADCIN1, ADCIN2	0		LDO_3V3	
Operating ambient temperature, T <sub>A</sub>		-10		75	°C
Operating junction temperature, T <sub>J</sub>		-10		125	

- (1) All voltage values are with respect to underside power pad. Underside power pad must be directly connected to ground plane of the board.

## 6.4 Thermal Information

THERMAL METRIC <sup>(1)</sup>		TPS65987DDK	
		RSH (QFN)	
		56 PINS	
			UNIT
R <sub>θJA</sub> <sup>(2)</sup>	Junction-to-ambient thermal resistance	57.7	°C/W
R <sub>θJC(top)</sub>	Junction-to-case (top) thermal resistance	65.4	°C/W
R <sub>θJB</sub> <sup>(2)</sup>	Junction-to-board thermal resistance	30	°C/W
ψ <sub>JT</sub> <sup>(2)</sup>	Junction-to-top characterization parameter	34.1	°C/W
ψ <sub>JB</sub> <sup>(2)</sup>	Junction-to-board characterization parameter	29.9	°C/W
R <sub>θJC(bot_Controller)</sub>	Junction-to-case (bottom GND pad) thermal resistance	0.7	°C/W
R <sub>θJC(bot_FET)</sub>	Junction-to-case (bottom DRAIN 1/2 pad) thermal resistance	5.6	°C/W

- (1) For more information about traditional and new thermal metrics, see the [Semiconductor and IC Package Thermal Metrics](#) application report.
- (2) Thermal metrics are not JEDEC standard values and are based on the TPS65988 evaluation board.

## 6.5 Power Supply Requirements and Characteristics

over operating free-air temperature range (unless otherwise noted)

PARAMETER		TEST CONDITIONS	MIN	TYP	MAX	UNIT
<b>EXTERNAL</b>						
V <sub>IN_3V3</sub>	Input 3.3-V supply		3.135	3.3	3.45	V
PP_CABLE	Input to power Vconn output on C_CC pins		2.95	5	5.5	V
PP_HV	Source power from PP_HV to VBUS		4.5	5	22	V
VBUS	Sink power from VBUS to PP_HV		4	5	22	V
C <sub>VIN_3V3</sub>	Recommended capacitance on the VIN_3V3 pin		5	10		μF
C <sub>PP_CABLE</sub>	Recommended capacitance on PPx_CABLE pins		2.5	4.7		μF
C <sub>PP_HV_SRC</sub>	Recommended capacitance on PP_HVx pin when configured as a source		2.5	4.7		μF
C <sub>PP_HV_SNK</sub>	Recommended capacitance on PP_HVx pin when configured as a sink		1	47	120	μF
C <sub>VBUS</sub>	Recommended capacitance on VBUSx pins		0.5	1	12	μF
<b>INTERNAL</b>						
V <sub>LDO_3V3</sub>	Output voltage of LDO from VBUS to LDO_3V3	V <sub>IN_3V3</sub> = 0 V, V <sub>BUS1</sub> ≥ 4 V, 0 ≤ I <sub>LOAD</sub> ≤ 50 mA	3.15	3.3	3.45	V
V <sub>DO_LDO_3V3</sub>	Drop out voltage of LDO_3V3 from VBUS	I <sub>LOAD</sub> = 50 mA	250	500	850	mV
I <sub>LDO_3V3_EX</sub>	Allowed External Load current on LDO_3V3 pin				25	mA
V <sub>LDO_1V8</sub>	Output voltage of LDO_1V8	0 ≤ I <sub>LOAD</sub> ≤ 20 mA	1.75	1.8	1.85	V
V <sub>FWD_DROP</sub>	Forward voltage drop across VIN_3V3 to LDO_3V3 switch	I <sub>LOAD</sub> = 50 mA			200	mV
C <sub>LDO_3V3</sub>	Recommended capacitance on LDO_3V3 pin		5	10	25	μF
C <sub>LDO_1V8</sub>	Recommended capacitance on LDO_1V8 pin		2.2	4.7	6	μF
<b>SUPERVISORY</b>						
UV_LDO3V3	Undervoltage threshold for LDO_3V3. Locks out 1.8-V LDOs.	LDO_3V3 rising	2.2	2.325	2.45	V



## 6.5 Power Supply Requirements and Characteristics (continued)

over operating free-air temperature range (unless otherwise noted)

PARAMETER		TEST CONDITIONS	MIN	TYP	MAX	UNIT
UVH_LDO3V3	Undervoltage hysteresis for LDO_3V3	LDO_3V3 falling	20	80	150	mV
UV_PCBL	Undervoltage threshold for PP_CABLE	PP_CABLE rising	2.5	2.625	2.75	V
UVH_PCBL	Undervoltage hysteresis for PP_PCABLE	PP_CABLE falling	20	50	80	mV
OV_VBUS	Overvoltage threshold for VBUS. This value is a 6-bit programmable threshold	VBUS rising	5		24	V
OVLSB_VBUS	Overvoltage threshold step for VBUS. This value is the LSB of the programmable threshold	VBUS rising		328		mV
OVH_VBUS	Overvoltage hysteresis for VBUS	VBUS falling, % of OV_VBUS	1.4	1.65	1.9	%
UV_VBUS	Undervoltage threshold for VBUS. This value is a 6-bit programmable threshold.	VBUS falling	2.5		18.21	V
UVLSB_VBUS	Undervoltage threshold step for VBUS. This value is the LSB of the programmable threshold.	VBUS falling		249		mV
UVH_VBUS	Undervoltage hysteresis for VBUS	VBUS rising, % of UV_VBUS	0.9	1.3	1.7	%

## 6.6 Power Consumption Characteristics

over operating free-air temperature range (unless otherwise noted)

PARAMETER		TEST CONDITIONS	MIN	TYP	MAX	UNIT
I <sub>VIN_3V3</sub> <sup>(1)</sup>	Sleep (Sink)	VIN_3V3 = 3.3 V, VBUS = 0 V, No cable connected, T <sub>J</sub> = 25°C, configured as sink, BC1.2 disabled		45		μA
	Sleep (Source/DRP)	VIN_3V3 = 3.3 V, VBUS = 0 V, No cable connected, T <sub>J</sub> = 25°C, configured as source or DRP, BC1.2 disabled		55		μA
I <sub>VIN_3V3</sub> <sup>(1)</sup>	Idle (Attached)	VIN_3V3 = 3.3 V, Cable connected, No active PD communication, T <sub>J</sub> = 25°C		5		mA
I <sub>VIN_3V3</sub> <sup>(1)</sup>	Active	VIN_3V3 = 3.3 V, T <sub>J</sub> = 25°C		8		mA

(1) Does not include current draw due to GPIO loading

## 6.7 Power Switch Characteristics

over operating free-air temperature range (unless otherwise noted)

PARAMETER		TEST CONDITIONS	MIN	TYP	MAX	UNIT
R <sub>PPCC</sub>	PP_CABLE to C_CCn power switch resistance	4.7 ≤ PP_CABLE ≤ 5.5		222	325	mΩ
		2.95 ≤ PP_CABLE < 4.7		269	414	mΩ
R <sub>PPHV</sub>	PP_HVx to VBUSx power switch resistance	T <sub>J</sub> = 25°C		25	33	mΩ
I <sub>PPHV</sub>	Continuous current capability of power path from PP_HVx to VBUSx				5	A
I <sub>PPCC</sub>	Continuous current capability of power path from PP_CABLE to C_CCn	T <sub>J</sub> = 125°C			320	mA
		T <sub>J</sub> = 85°C			600	mA
I <sub>HVACT</sub>	Active quiescent current from PP_HV pin, EN_HV = 1	Source Configuration, Comparator RCP function enabled, I <sub>LOAD</sub> = 100 mA			1	mA
I <sub>HVSD</sub>	Shutdown quiescent current from PP_HV pin, EN_HV = 0	V <sub>PPHV</sub> = 20 V			100	μA

## 6.7 Power Switch Characteristics (continued)

over operating free-air temperature range (unless otherwise noted)

PARAMETER		TEST CONDITIONS	MIN	TYP	MAX	UNIT
I <sub>occ</sub>	Over Current Clamp Firmware Selectable Settings		1.140	1.267	1.393	A
			1.380	1.533	1.687	A
			1.620	1.800	1.980	A
			1.860	2.067	2.273	A
			2.100	2.333	2.567	A
			2.34	2.600	2.860	A
			2.580	2.867	3.153	A
			2.820	3.133	3.447	A
			3.060	3.400	3.74	A
			3.300	3.667	4.033	A
			3.540	3.933	4.327	A
			3.780	4.200	4.620	A
			4.020	4.467	4.913	A
			4.260	4.733	5.207	A
			4.500	5.00	5.500	A
			4.740	5.267	5.793	A
	4.980	5.533	6.087	A		
	5.220	5.800	6.380	A		
	5.460	6.067	6.673	A		
	5.697	6.330	6.963	A		
I <sub>ocp</sub>	PP_HV Quick Response Current Limit			10		A
I <sub>LIMPPCC</sub>	PP_CABLE current limit		0.6	0.75	0.9	A
I <sub>HV_ACC 1</sub>	PP_HV current sense accuracy	I = 100 mA, Reverse current blocking disabled	3.9	6	8.1	A/V
I <sub>HV_ACC 1</sub>	PP_HV current sense accuracy	I = 200 mA	4.8	6	7.2	A/V
I <sub>HV_ACC 1</sub>	PP_HV current sense accuracy	I = 500 mA	5.28	6	6.72	A/V
I <sub>HV_ACC 1</sub>	PP_HV current sense accuracy	I ≥ 1 A	5.4	6	6.6	A/V
t <sub>ON_HV</sub>	PP_HV path turn on time from enable to VBUS = 95% of PP_HV voltage	Configured as a source or as a sink with soft start disabled. PP_HV = 20 V, CVBUS = 10 μF, I <sub>LOAD</sub> = 100 mA			8	ms
t <sub>ON_FRS</sub>	PP_HV path turn on time from enable to VBUS = 95% of PP_HV voltage during an FRS enable	Configured as a source. PP_HV = 5 V, CVBUS = 10 μF, I <sub>LOAD</sub> = 100 mA			150	μs
t <sub>ON_CC</sub>	PP_CABLE path turn on time from enable to C_CCn = 95% of the PP_CABLE voltage	PP_CABLE = 5 V, C_CCn = 500 nF, I <sub>LOAD</sub> = 100 mA			2	ms
SS	Configurable soft start slew rate for sink configuration	I <sub>LOAD</sub> = 100 mA, setting 0	0.270	0.409	0.45	V/ms
		I <sub>LOAD</sub> = 100 mA, setting 1	0.6	0.787	1	V/ms
		I <sub>LOAD</sub> = 100 mA, setting 2	1.2	1.567	1.7	V/ms
		I <sub>LOAD</sub> = 100 mA, setting 3	2.3	3.388	3.6	V/ms
V <sub>REVPHV</sub>	Reverse current blocking voltage threshold for PP_HV switch	Diode Mode		6	10	mV
		Comparator Mode		3	6	mV
V <sub>SAFE0V</sub>	Voltage that is a safe 0 V per USB-PD specification		0		0.8	V
t <sub>SAFE0V</sub>	Voltage transition time to VSAFE0V				650	ms

## 6.7 Power Switch Characteristics (continued)

over operating free-air temperature range (unless otherwise noted)

PARAMETER		TEST CONDITIONS	MIN	TYP	MAX	UNIT
SRPOS	Maximum slew rate for positive voltage transitions				0.03	V/ $\mu$ s
SRNEG	Maximum slew rate for negative voltage transitions		-0.03			V/ $\mu$ s
t <sub>STABLE</sub>	EN to stable time for both positive and negative voltage transitions				275	ms
V <sub>SRCVALID</sub>	Supply output tolerance beyond V <sub>SRCNEW</sub> during time t <sub>STABLE</sub>		-0.5		0.5	V
V <sub>SRCNEW</sub>	Supply output tolerance		-5		5	%
t <sub>VCONNDIS</sub>	Time from cable detach to V <sub>VCONNDIS</sub>				250	ms
V <sub>VCONNDIS</sub>	Voltage at which V <sub>CONN</sub> is considered discharged				150	mV

## 6.8 Cable Detection Characteristics

over operating free-air temperature range (unless otherwise noted)

PARAMETER		TEST CONDITIONS	MIN	TYP	MAX	UNIT
I <sub>H_CC_USB</sub>	Source Current through each C <sub>CC</sub> pin when in a disconnected state and Configured as a Source advertising Default USB current to a peripheral device		73.6	80	86.4	$\mu$ A
I <sub>H_CC_1P5</sub>	Source Current through each C <sub>CC</sub> pin when in a disconnected state when Configured as a Source advertising 1.5-A to a UFP		165.6	180	194.4	$\mu$ A
I <sub>H_CC_3P0</sub>	Source Current through each C <sub>CC</sub> pin when in a disconnected state and Configured as a Source advertising 3.0-A to a UFP.	V <sub>IN_3V3</sub> $\geq$ 3.135 V, V <sub>CC</sub> < 2.6 V	303.6	330	356.4	$\mu$ A
V <sub>D_CCH_USB</sub>	Voltage Threshold for detecting a Source attach when configured as a Sink and the Source is advertising Default USB current source capability		0.15	0.2	0.25	V
V <sub>D_CCH_1P5</sub>	Voltage Threshold for detecting a Source advertising 1.5-A source capability when configured as a Sink		0.61	0.66	0.7	V
V <sub>D_CCH_3P0</sub>	Voltage Threshold for detecting a Source advertising 3-A source capability when configured as a Sink		1.16	1.23	1.31	V
V <sub>H_CCD_USB</sub>	Voltage Threshold for detecting a Sink attach when configured as a Source and advertising Default USB current source capability.	I <sub>H_CC</sub> = I <sub>H_CC_USB</sub>	1.5	1.55	1.65	V
V <sub>H_CCD_1P5</sub>	Voltage Threshold for detecting a Sink attach when configured as a Source and advertising 1.5-A source capability	I <sub>H_CC</sub> = I <sub>H_CC_1P5</sub>	1.5	1.55	1.65	V
V <sub>H_CCD_3P0</sub>	Voltage Threshold for detecting a Sink attach when configured as a Source and advertising 3.0-A source capability.	I <sub>H_CC</sub> = I <sub>H_CC_3P0</sub> V <sub>IN_3V3</sub> $\geq$ 3.135 V	2.45	2.55	2.615	V
V <sub>H_CCA_USB</sub>	Voltage Threshold for detecting an active cable attach when configured as a Source and advertising Default USB current capability.		0.15	0.2	0.25	V
V <sub>H_CCA_1P5</sub>	Voltage Threshold for detecting active cables attach when configured as a Source and advertising 1.5-A capability.		0.35	0.4	0.45	V

## 6.8 Cable Detection Characteristics (continued)

over operating free-air temperature range (unless otherwise noted)

PARAMETER		TEST CONDITIONS	MIN	TYP	MAX	UNIT
V <sub>H_CCA_3P0</sub>	Voltage Threshold for detecting active cables attach when configured as a Source and advertising 3-A capability.		0.75	0.8	0.85	V
R <sub>D_CC</sub>	Pulldown resistance through each C <sub>CC</sub> pin when in a disconnect state and configured as a Sink. LDO_3V3 powered.	V = 1 V, 1.5 V	4.59	5.1	5.61	kΩ
R <sub>D_CC_OPEN</sub>	Pulldown resistance through each C <sub>CC</sub> pin when in a disabled state. LDO_3V3 powered.	V = 0 V to LDO_3V3	500			kΩ
R <sub>D_DB</sub>	Pulldown resistance through each C <sub>CC</sub> pin when LDO_3V3 unpowered	V = 1.5 V, 2.0 V	4.08	5.1	6.12	kΩ
R <sub>FRSWAP</sub>	Fast Role Swap signal pull down				5	Ω
V <sub>TH_FRS</sub>	Fast role swap request detection voltage threshold		490	520	550	mV

## 6.9 USB-PD Baseband Signal Requirements and Characteristics

over operating free-air temperature range (unless otherwise noted)

PARAMETER		TEST CONDITIONS	MIN	TYP	MAX	UNIT
<b>COMMON</b>						
PD_BITRATE	PD data bit rate		270	300	330	Kbps
UI <sup>(2)</sup>	Unit interval (1/PD_BITRATE)		3.03	3.33	3.7	μs
CCBLPLUG <sup>(1)</sup>	Capacitance for a cable plug (each plug on a cable may have up to this value)				25	pF
ZCABLE	Cable characteristic impedance		32		65	Ω
CRECEIVER <sup>(3)</sup>	Receiver capacitance. Capacitance looking into C <sub>CCn</sub> pin when in receiver mode.			100		pF
<b>TRANSMITTER</b>						
ZDRIVER	TX output impedance. Source output impedance at the Nyquist frequency of USB2.0 low speed (750kHz) while the source is driving the C <sub>CCn</sub> line.		33		75	Ω
t <sub>RISE</sub>	Rise time. 10 % to 90 % amplitude points, minimum is under an unloaded condition. Maximum set by TX mask.		300			ns
t <sub>FALL</sub>	Fall time. 90 % to 10 % amplitude points, minimum is under an unloaded condition. Maximum set by TX mask.		300			ns
V <sub>TX</sub>	Transmit high voltage		1.05	1.125	1.2	V
<b>RECEIVER</b>						
V <sub>RXTR</sub>	Rx receive rising input threshold	Port configured as Source	840	875	910	mV
V <sub>RXTR</sub>	Rx receive rising input threshold	Port configured as Sink	504	525	546	mV
V <sub>RXTF</sub>	Rx receive falling input threshold	Port configured as Sink	240	250	260	mV
V <sub>RXTF</sub>	Rx receive falling input threshold	Port configured as Source	576	600	624	mV
NCOUNT	Number of transitions for signal detection (number to count to detect non-idle bus).		3			

## 6.9 USB-PD Baseband Signal Requirements and Characteristics (continued)

over operating free-air temperature range (unless otherwise noted)

PARAMETER		TEST CONDITIONS	MIN	TYP	MAX	UNIT
TTRANWIN	Time window for detecting non-idle bus.		12		20	μs
ZBMCRX	Receiver input impedance	Does not include pull-up or pulldown resistance from cable detect. Transmitter is Hi-Z.	5			MΩ
TRXFILTER <sup>(4)</sup>	Rx bandwidth limiting filter. Time constant of a single pole filter to limit broadband noise ingress		100			ns

- (1) The capacitance of the bulk cable is not included in the CCBLPLUG definition. It is modeled as a transmission line.
- (2) UI denotes the time to transmit an unencoded data bit not the shortest high or low times on the wire after encoding with BMC. A single data bit cell has duration of 1 UI, but a data bit cell with value 1 will contain a centrally placed 01 or 10 transition in addition to the transition at the start of the cell.
- (3) CRECEIVER includes only the internal capacitance on a C<sub>CCn</sub> pin when the pin is configured to be receiving BMC data. External capacitance is needed to meet the required minimum capacitance per the USB-PD Specifications. TI recommends adding capacitance to bring the total pin capacitance to 300 pF for improved TX behavior.
- (4) Broadband noise ingress is because of coupling in the cable interconnect.

## 6.10 Thermal Shutdown Characteristics

over operating free-air temperature range (unless otherwise noted)

PARAMETER		TEST CONDITIONS	MIN	TYP	MAX	UNIT
T <sub>SD_MAIN</sub>	Thermal Shutdown Temperature of the main thermal shutdown	Temperature rising	145	160	175	°C
T <sub>SDH_MAIN</sub>	Thermal Shutdown hysteresis of the main thermal shutdown	Temperature falling		20		°C
T <sub>SD_PWR</sub>	Thermal Shutdown Temperature of the power path block	Temperature rising	145	160	175	°C
T <sub>SDH_PWR</sub>	Thermal Shutdown hysteresis of the power path block	Temperature falling		20		°C

## 6.11 Oscillator Characteristics

over operating free-air temperature range (unless otherwise noted)

PARAMETER		TEST CONDITIONS	MIN	TYP	MAX	UNIT
f <sub>OSC_24M</sub>	24-MHz oscillator		22.8	24	25.2	MHz
f <sub>OSC_100K</sub>	100-kHz oscillator		95	100	105	kHz

## 6.12 I/O Characteristics

over operating free-air temperature range (unless otherwise noted)

PARAMETER		TEST CONDITIONS	MIN	TYP	MAX	UNIT
<b>SPI</b>						
SPI_VIH	High-level input voltage	LDO_1V8 = 1.8 V	1.3			V
SPI_VIL	Low input voltage	LDO_1V8 = 1.8 V			0.63	V
SPI_HYS	Input hysteresis voltage	LDO_1V8 = 1.8 V	0.09			V
SPI_ILKG	Leakage current	Output is Hi-Z, VIN = 0 to LDO_3V3	-1		1	μA
SPI_VOH	SPI output high voltage	IO = -2 mA, LDO_3V3 = 3.3 V	2.88			V
SPI_VOL	SPI output low voltage	IO = 2 mA			0.4	V
<b>SWDIO</b>						
<b>SWDCLK</b>						
<b>GPIO</b>						
GPIO_VIH	High-level input voltage	LDO_1V8 = 1.8 V	1.3			V

## 6.12 I/O Characteristics (continued)

over operating free-air temperature range (unless otherwise noted)

PARAMETER		TEST CONDITIONS	MIN	TYP	MAX	UNIT
GPIO_VIL	Low input voltage	LDO_1V8 = 1.8 V			0.63	V
GPIO_HYS	Input hysteresis voltage	LDO_1V8 = 1.8 V	0.09			V
GPIO_ILKG	I/O leakage current	INPUT = 0 V to VDD	-1		1	μA
GPIO_RPU	Pullup resistance	Pullup enabled	50	100	150	kΩ
GPIO_RPD	Pulldown resistance	Pulldown enabled	50	100	150	kΩ
GPIO_DG	Digital input path deglitch			20		ns
GPIO_VOH	GPIO output high voltage	IO = -2 mA, LDO_3V3 = 3.3 V	2.88			V
GPIO_VOL	GPIO output low voltage	IO = 2 mA, LDO_3V3 = 3.3 V			0.4	V
<b>I2C_IRQx</b>						
OD_VOL	Low-level output voltage	I <sub>OL</sub> = 2 mA			0.4	V
OD_LKG	Leakage current	Output is Hi-Z, VIN = 0 to LDO_3V3	-1		1	μA

## 6.13 I<sup>2</sup>C Requirements and Characteristics

over operating free-air temperature range (unless otherwise noted).

PARAMETER		TEST CONDITIONS	MIN	TYP	MAX	UNIT
<b>SDA AND SCL COMMON CHARACTERISTICS</b>						
I <sub>LEAK</sub>	Input leakage current	Voltage on Pin = LDO_3V3	-3		3	μA
V <sub>OL</sub>	SDA output low voltage	I <sub>OL</sub> = 3 mA, LDO_3V3 = 3.3 V			0.4	V
I <sub>OL</sub>	SDA max output low current	V <sub>OL</sub> = 0.4 V	3			mA
		V <sub>OL</sub> = 0.6 V	6			mA
V <sub>IL</sub>	Input low signal	LDO_3V3 = 3.3 V			0.99	V
		LDO_1V8 = 1.8 V			0.54	V
V <sub>IH</sub>	Input high signal	LDO_3V3 = 3.3 V	2.31			V
		LDO_1V8 = 1.8 V	1.3			V
V <sub>HYS</sub>	Input hysteresis	LDO_3V3 = 3.3 V	0.17			V
		LDO_1V8 = 1.8 V	0.09			V
t <sub>SP</sub>	I <sup>2</sup> C pulse width suppressed				50	ns
C <sub>I</sub>	Pin capacitance				10	pF
<b>SDA AND SCL STANDARD MODE CHARACTERISTICS</b>						
f <sub>SCL</sub>	I <sup>2</sup> C clock frequency		0		100	kHz
t <sub>HIGH</sub>	I <sup>2</sup> C clock high time		4			μs
t <sub>LOW</sub>	I <sup>2</sup> C clock low time		4.7			μs
t <sub>SU,DAT</sub>	I <sup>2</sup> C serial data setup time		250			ns
t <sub>HD,DAT</sub>	I <sup>2</sup> C serial data hold time		0			ns
t <sub>VD,DAT</sub>	I <sup>2</sup> C valid data time	SCL low to SDA output valid			3.45	μs
t <sub>VD,ACK</sub>	I <sup>2</sup> C valid data time of ACK condition	ACK signal from SCL low to SDA (out) low			3.45	μs
t <sub>OCF</sub>	I <sup>2</sup> C output fall time	10-pF to 400-pF bus			250	ns
t <sub>BUF</sub>	I <sup>2</sup> C bus free time between stop and start		4.7			μs
t <sub>SU,STA</sub>	I <sup>2</sup> C start or repeated Start condition setup time		4.7			μs
t <sub>HD,STA</sub>	I <sup>2</sup> C Start or repeated Start condition hold time		4			μs

### 6.13 I<sup>2</sup>C Requirements and Characteristics (continued)

over operating free-air temperature range (unless otherwise noted).

PARAMETER		TEST CONDITIONS	MIN	TYP	MAX	UNIT
t <sub>SU;STO</sub>	I <sup>2</sup> C Stop condition setup time		4			μs
<b>SDA AND SCL FAST MODE CHARACTERISTICS</b>						
f <sub>SCL</sub>	I <sup>2</sup> C clock frequency	Configured as Slave	0		400	kHz
f <sub>SCL_MASTER</sub>	I <sup>2</sup> C clock frequency	Configured as Master	0	320	400	kHz
t <sub>HIGH</sub>	I <sup>2</sup> C clock high time		0.6			μs
t <sub>LOW</sub>	I <sup>2</sup> C clock low time		1.3			μs
t <sub>SU;DAT</sub>	I <sup>2</sup> C serial data setup time		100			ns
t <sub>HD;DAT</sub>	I <sup>2</sup> C serial data hold time		0			ns
t <sub>VD;DAT</sub>	I <sup>2</sup> C Valid data time	SCL low to SDA output valid			0.9	μs
t <sub>VD;ACK</sub>	I <sup>2</sup> C Valid data time of ACK condition	ACK signal from SCL low to SDA (out) low			0.9	μs
t <sub>OCF</sub>	I <sup>2</sup> C output fall time	10-pF to 40-pF bus, V <sub>DD</sub> = 3.3 V	12		250	ns
		10-pF to 400-pF bus, V <sub>DD</sub> = 1.8 V	6.5		250	ns
t <sub>BUF</sub>	I <sup>2</sup> C bus free time between stop and start		1.3			μs
t <sub>SU;STA</sub>	I <sup>2</sup> C start or repeated Start condition setup time		0.6			μs
t <sub>HD;STA</sub>	I <sup>2</sup> C Start or repeated Start condition hold time		0.6			μs
t <sub>SU;STO</sub>	I <sup>2</sup> C Stop condition setup time		0.6			μs

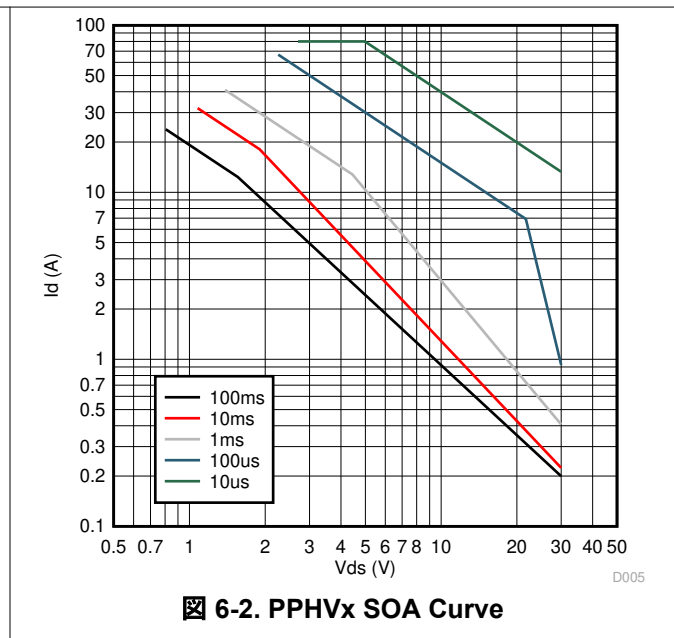
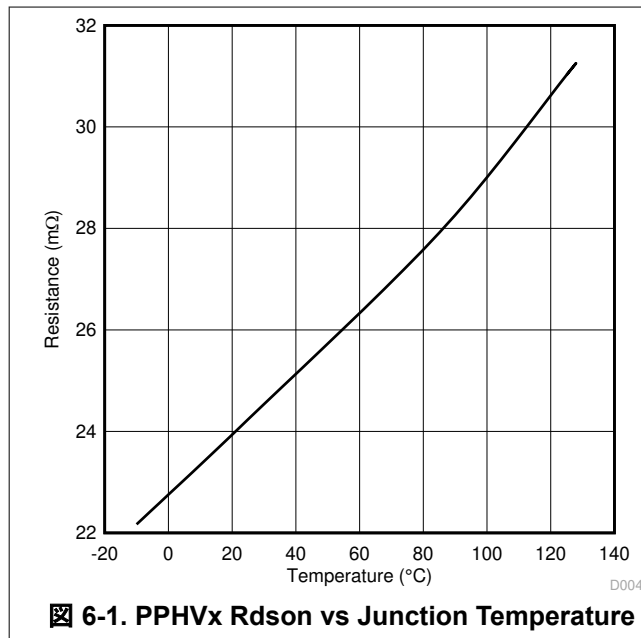
### 6.14 SPI Controller Timing Requirements

		MIN	NOM	MAX	UNIT
f <sub>SPI</sub>	Frequency of SPI_CLK	11.4	12	12.6	MHz
t <sub>PER</sub>	Period of SPI_CLK (1/F <sub>SPI</sub> )	79.36	83.33	87.72	ns
t <sub>WHI</sub>	SPI_CLK high width	30			ns
t <sub>WLO</sub>	SPI_CLK low width	30			ns
t <sub>DACT</sub>	SPI_SZZ falling to SPI_CLK rising delay time	30		50	ns
t <sub>DINACT</sub>	SPI_CLK falling to SPI_SSZ rising delay time	158		180	ns
t <sub>DPICO</sub>	SPI_CLK falling to SPI_PICO Valid delay time	-10		10	ns
t <sub>SUPOCI</sub>	SPI_POCI valid to SPI_CLK falling setup time	33			ns
t <sub>HDMSIO</sub>	SPI_CLK falling to SPI_POCI invalid hold time	0			ns
t <sub>RIN</sub>	SPI_POCI input rise time			5	ns
t <sub>RSPI</sub>	SPI_SSZ/CLK/PICO rise time	10% to 90%, C <sub>L</sub> = 5 to 50 pF, LDO_3V3 = 3.3 V		25	ns
t <sub>FSPI</sub>	SPI_SSZ/CLK/PICO fall time	90% to 10%, C <sub>L</sub> = 5 to 50 pF, LDO_3V3 = 3.3 V		25	ns

### 6.15 HPD Timing Requirements

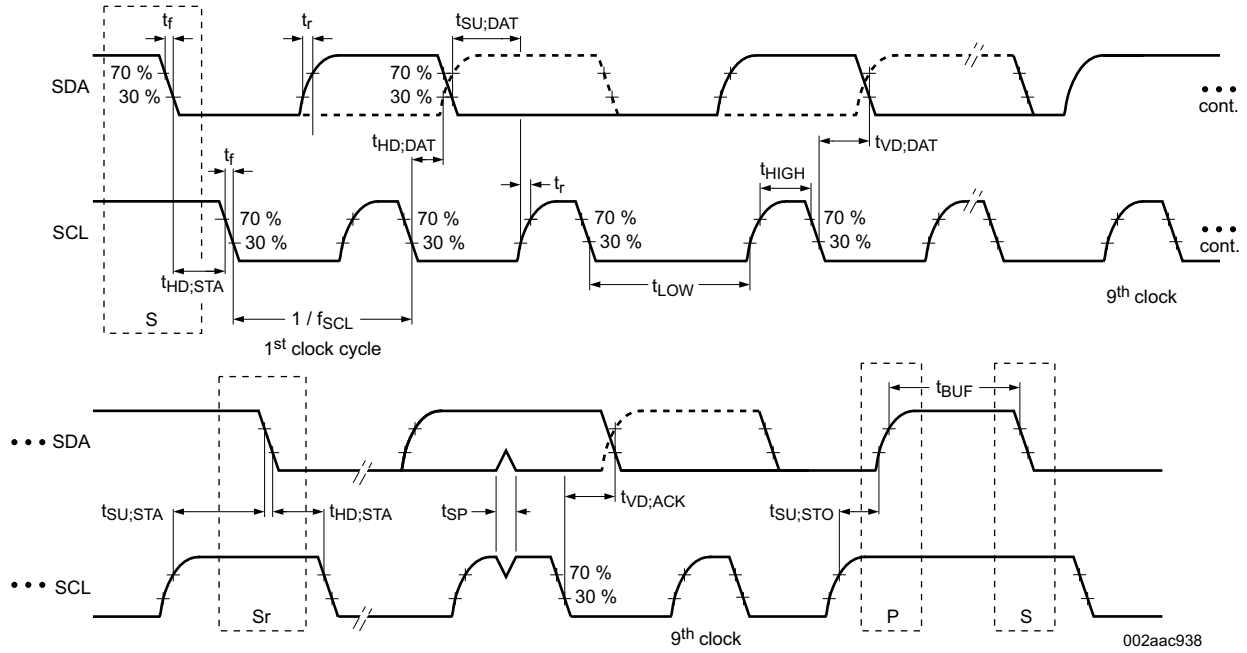
		MIN	NOM	MAX	UNIT	
<b>DP SOURCE SIDE (HPD TX)</b>						
t <sub>IRQ_MIN</sub>	HPD IRQ minimum assert time	675	750	825	μs	
t <sub>2_MS_MIN</sub>	HPD assert 2-ms min time	3	3.33	3.67	ms	
<b>DP SINK SIDE (HPD RX)</b>						
t <sub>HPD_HDB</sub>	HPD high debounce time	HPD_HDB_SEL = 0	300	375	450	μs
		HPD_HDB_SEL = 1	100	111	122	ms
t <sub>HPD_LDB</sub>	HPD low debounce time	300	375	450	μs	
t <sub>HPD_IRQ</sub>	HPD IRQ limit time	1.35	1.5	1.65	ms	

### 6.16 Typical Characteristics

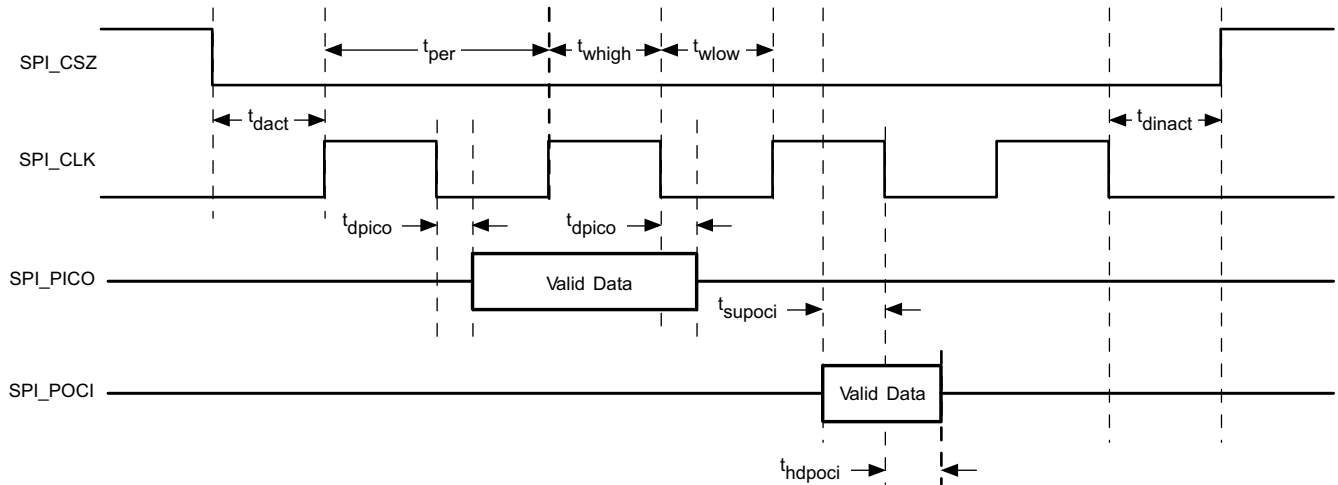




## 7 Parameter Measurement Information



**7-1. I<sup>2</sup>C Slave Interface Timing**



**7-2. SPI Controller Timing**

## 8 Detailed Description

### 8.1 Overview

The TPS65987DDK is a fully-integrated USB Power Delivery (USB-PD) management device providing cable plug and orientation detection for a USB Type-C and PD plug or receptacles. The TPS65987DDK communicates with the cable and another USB Type-C and PD device at the opposite end of the cable, enables integrated port power switch, controls an external high current port power switch and negotiates alternate modes. The TPS65987DDK may also control an attached super-speed multiplexer via GPIO or I<sup>2</sup>C to simultaneously support USB3.0/3.1 data rates and DisplayPort video.

The TPS65987DDK is divided into five main sections:

- USB-PD controller
- cable plug and orientation detection circuitry
- port power switches
- power management circuitry
- digital core

The USB-PD controller provides the physical layer (PHY) functionality of the USB-PD protocol. The USB-PD data is output through either the C\_CC1 pin or the C\_CC2 pin, depending on the orientation of the reversible USB Type-C cable. For a high-level block diagram of the USB-PD physical layer, a description of its features and more detailed circuitry, see the [USB-PD Physical Layer](#) section.

The cable plug and orientation detection analog circuitry automatically detects a USB Type-C cable plug insertion and also automatically detects the cable orientation. For a high-level block diagram of cable plug and orientation detection, a description of its features and more detailed circuitry, see [Port Power Switches](#).

The port power switches provide power to the system port through the VBUS pin and also through the C\_CC1 or C\_CC2 pins based on the detected plug orientation. For a high-level block diagram of the port power switches, a description of its features and more detailed circuitry, see the [Port Power Switches](#) section.

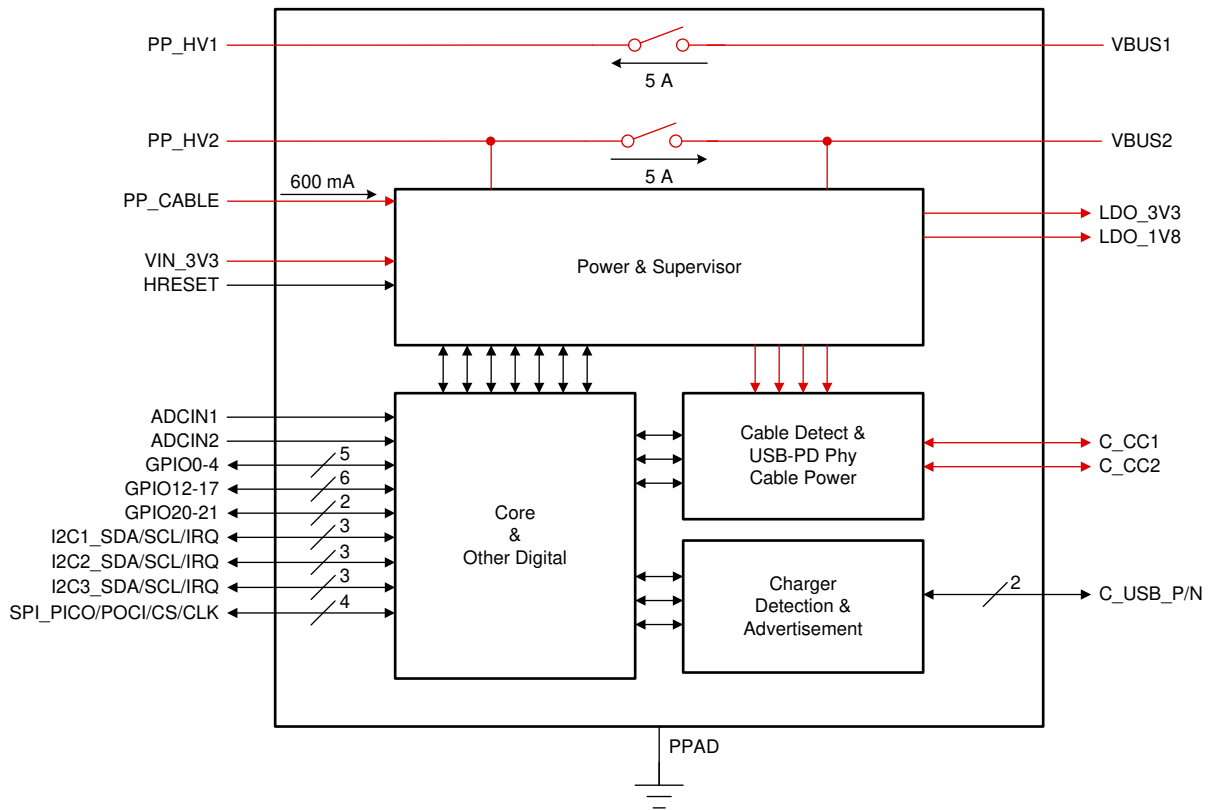
The power management circuitry receives and provides power to the TPS65987DDK internal circuitry and to the LDO\_3V3 output. For a high-level block diagram of the power management circuitry, a description of its features and more detailed circuitry, see the [Power Management](#) section.

The digital core provides the engine for receiving, processing and sending all USB-PD packets as well as handling control of all other TPS65987DDK functionality. A portion of the digital core contains ROM memory which contains all the necessary firmware required to execute Type-C and PD applications. In addition, a section of the ROM called boot code, is capable of initializing the TPS65987DDK, loading of device configuration information and loading any code patches into volatile memory in the digital core. For a high-level block diagram of the digital core, a description of its features and more detailed circuitry, see the [Digital Core](#) section.

The TPS65987DDK is an I<sup>2</sup>C slave to be controlled by a host processor (see the [I<sup>2</sup>C Interfaces](#) section), and an SPI controller to write to and read from an optional external flash memory (see the [SPI Controller Interface](#) section).

The TPS65987DDK also integrates a thermal shutdown mechanism (see the [Thermal Shutdown](#) section) and runs off of accurate clocks provided by the integrated oscillators (see the [Oscillators](#) section).

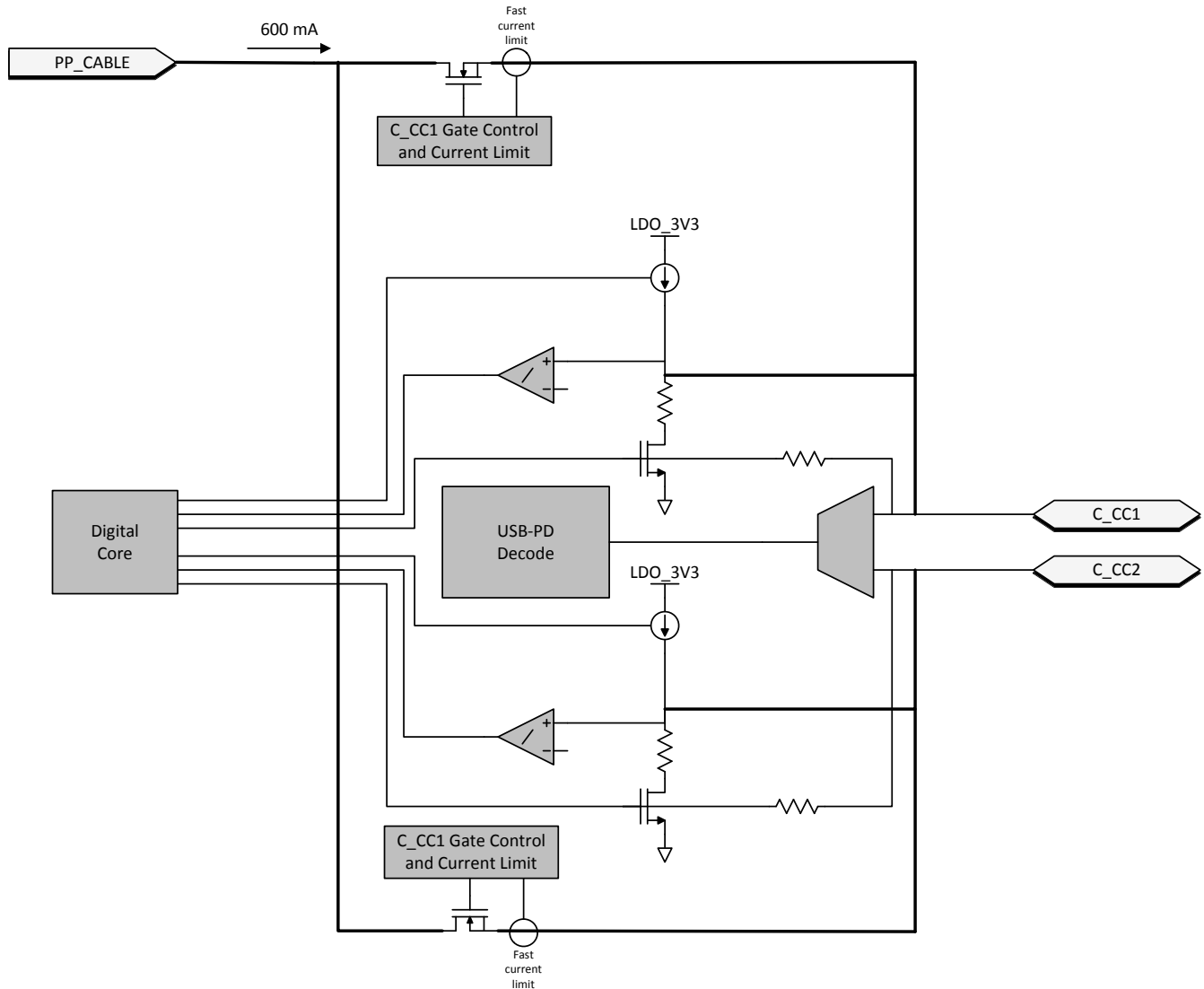
## 8.2 Functional Block Diagram



## 8.3 Feature Description

### 8.3.1 USB-PD Physical Layer

8-1 shows the USB PD physical layer block surrounded by a simplified version of the analog plug and orientation detection block.

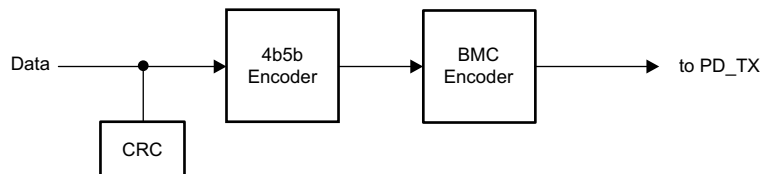


8-1. USB-PD Physical Layer, Simplified Plug and Orientation Detection Circuitry

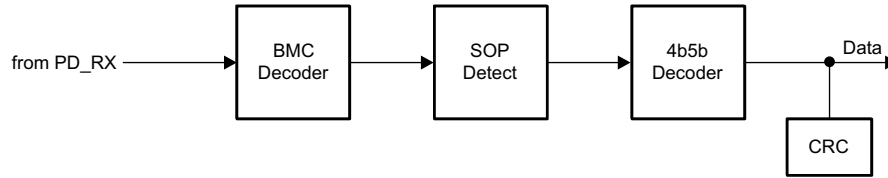
USB-PD messages are transmitted in a USB Type-C system using a BMC signaling. The BMC signal is output on the same pin (C\_CC1 or C\_CC2) that is DC biased due to the DFP (or UFP) cable attach mechanism shown in [Port Power Switches](#).

### 8.3.1.1 USB-PD Encoding and Signaling

8-2 illustrates the high-level block diagram of the baseband USB-PD transmitter. 8-3 illustrates the high-level block diagram of the baseband USB-PD receiver.



8-2. USB-PD Baseband Transmitter Block Diagram

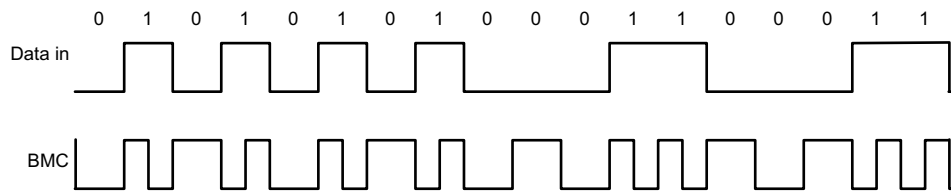


8-3. USB-PD Baseband Receiver Block Diagram

The USB-PD baseband signal is driven on the C\_CCn pins with a tri-state driver. The tri-state driver is slow rate limited to reduce the high frequency components imparted on the cable and to avoid interference with frequencies used for communication.

### 8.3.1.2 USB-PD Bi-Phase Marked Coding

The USB-PD physical layer implemented in the TPS65987DDK is compliant to the [USB-PD Specifications](#). The encoding scheme used for the baseband PD signal is a version of Manchester coding called Biphase Mark Coding (BMC). In this code, there is a transition at the start of every bit time and there is a second transition in the middle of the bit cell when a 1 is transmitted. This coding scheme is nearly DC balanced with limited disparity (limited to 1/2 bit over an arbitrary packet, so a very low DC level). 8-4 illustrates Biphase Mark Coding.



8-4. Biphase Mark Coding Example

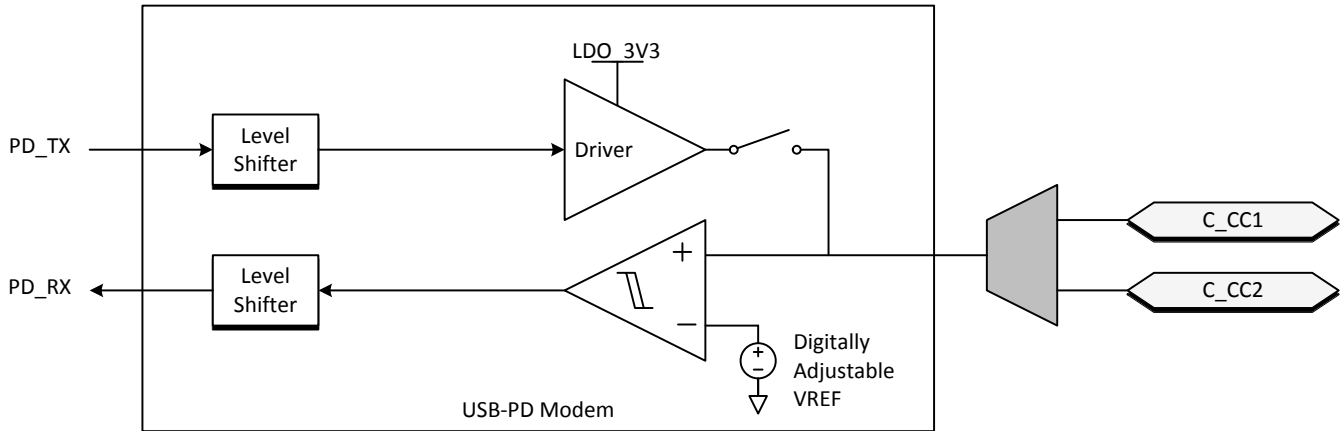
The USB PD baseband signal is driven onto the C\_CC1 or C\_CC2 pins with a tri-state driver. The tri-state driver is slow rate to limit coupling to D+/D- and to other signal lines in the Type-C fully featured cables. When sending the USB-PD preamble, the transmitter starts by transmitting a low level. The receiver at the other end tolerates the loss of the first edge. The transmitter terminates the final bit by an edge to ensure the receiver clocks the final bit of EOP.

### 8.3.1.3 USB-PD Transmit (TX) and Receive (Rx) Masks

The USB-PD driver meets the defined USB-PD BMC TX masks. Since a BMC coded “1” contains a signal edge at the beginning and middle of the UI, and the BMC coded “0” contains only an edge at the beginning, the masks are different for each. The USB-PD receiver meets the defined USB-PD BMC Rx masks. The boundaries of the Rx outer mask are specified to accommodate a change in signal amplitude due to the ground offset through the cable. The Rx masks are therefore larger than the boundaries of the TX outer mask. Similarly, the boundaries of the Rx inner mask are smaller than the boundaries of the TX inner mask. Triangular time masks are superimposed on the TX outer masks and defined at the signal transitions to require a minimum edge rate that has minimal impact on adjacent higher speed lanes. The TX inner mask enforces the maximum limits on the rise and fall times. Refer to the [USB-PD Specifications](#) for more details.

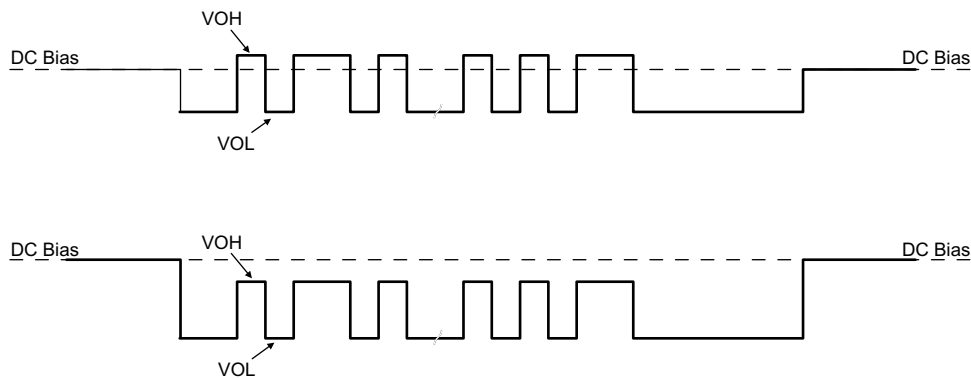
### 8.3.1.4 USB-PD BMC Transmitter

The TPS65987DDK transmits and receives USB-PD data over one of the C\_CCn pins for a given CC pin pair (one pair per USB Type-C port). The C\_CCn pins are also used to determine the cable orientation (see [Port Power Switches](#)) and maintain the cable/device attach detection. Thus, a DC bias exists on the C\_CCn pins. The transmitter driver overdrives the C\_CCn DC bias while transmitting, but returns to a Hi-Z state allowing the DC voltage to return to the C\_CCn pin when not transmitting. 8-5 shows the USB-PD BMC TX and RX driver block diagram.



8-5. USB-PD BMC TX/Rx Block Diagram

8-6 shows the transmission of the BMC data on top of the DC bias. Note, The DC bias can be anywhere between the minimum threshold for detecting a UFP attach ( $V_{D\_CCH\_USB}$ ) and the maximum threshold for detecting a UFP attach to a DFP ( $V_{D\_CCH\_3P0}$ ). This means that the DC bias can be below  $V_{OH}$  of the transmitter driver or above  $V_{OH}$ .

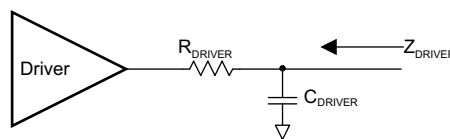


8-6. TX Driver Transmission with DC Bias

The transmitter drives a digital signal onto the  $C\_CCn$  lines. The signal peak,  $V_{TXP}$ , is set to meet the TX masks defined in the [USB-PD Specifications](#).

When driving the line, the transmitter driver has an output impedance of  $Z_{DRIVER}$ .  $Z_{DRIVER}$  is determined by the driver resistance and the shunt capacitance of the source and is frequency dependent.  $Z_{DRIVER}$  impacts the noise ingress in the cable.

8-7 shows the simplified circuit determining  $Z_{DRIVER}$ . It is specified such that noise at the receiver is bounded.

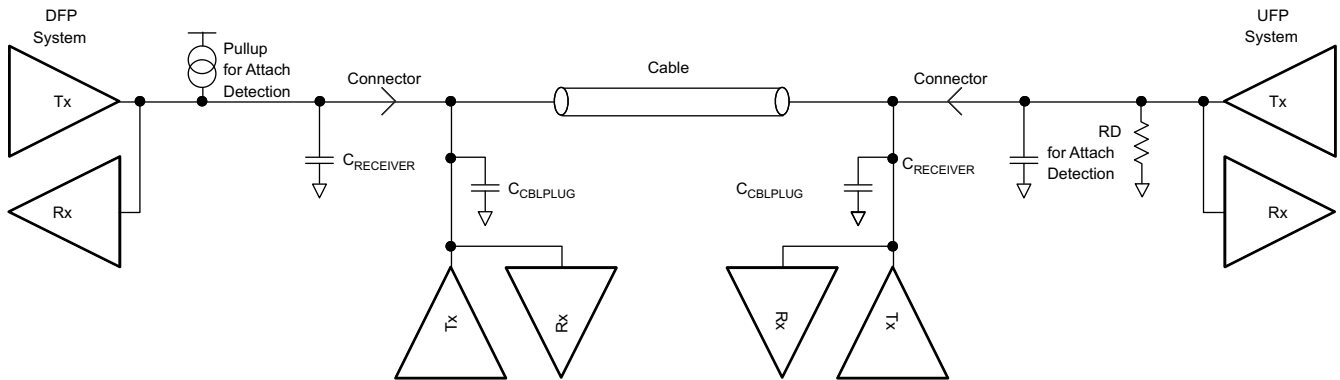


8-7. Z\_DRIVER Circuit

### 8.3.1.5 USB-PD BMC Receiver

The receiver block of the TPS65987DDK receives a signal that falls within the allowed Rx masks defined in the USB PD specification. The receive thresholds and hysteresis come from this mask.

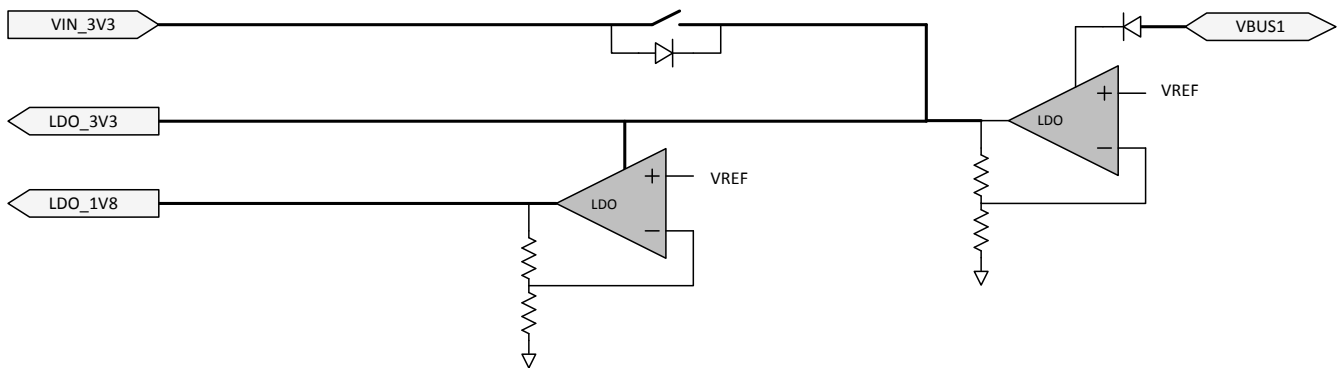
8-8 shows an example of a multi-drop USB-PD connection. This connection has the typical UFP (device) to DFP (host) connection, but also includes cable USB-PD TX/Rx blocks. Only one system can be transmitting at a time. All other systems are Hi-Z (ZBMCRX). The [USB-PD Specification](#) also specifies the capacitance that can exist on the wire as well as a typical DC bias setting circuit for attach detection.



8-8. Example USB-PD Multi-Drop Configuration

### 8.3.2 Power Management

The TPS65987DDK power management block receives power and generates voltages to provide power to the TPS65987DDK internal circuitry. These generated power rails are LDO\_3V3 and LDO\_1V8. LDO\_3V3 may also be used as a low power output for external flash memory. The power supply path is shown in 8-9.



8-9. Power Supplies

The TPS65987DDK is powered from either VIN\_3V3, VBUS1, or VBUS2. The normal power supply input is VIN3V3. In this mode, current flows from VIN\_3V3 to LDO3V3 to power the core 3.3-V circuitry and I/Os. A second LDO steps the voltage down from LDO\_3V3 to LDO\_1V8 to power the 1.8-V core digital circuitry. When VIn\_3V3 power is unavailable and power is available on VBUS1 or VBUS2, the TPS65987DDK is powered from VBUS. In this mode, the voltage on VBUS1 or VBUS 2 is stepped down through an LDO to LDO\_3V3.

#### 8.3.2.1 Power-On and Supervisory Functions

A power-on reset (POR) circuit monitors each supply. This POR allows active circuitry to turn on only when a good supply is present.

#### 8.3.2.2 VBUS LDO

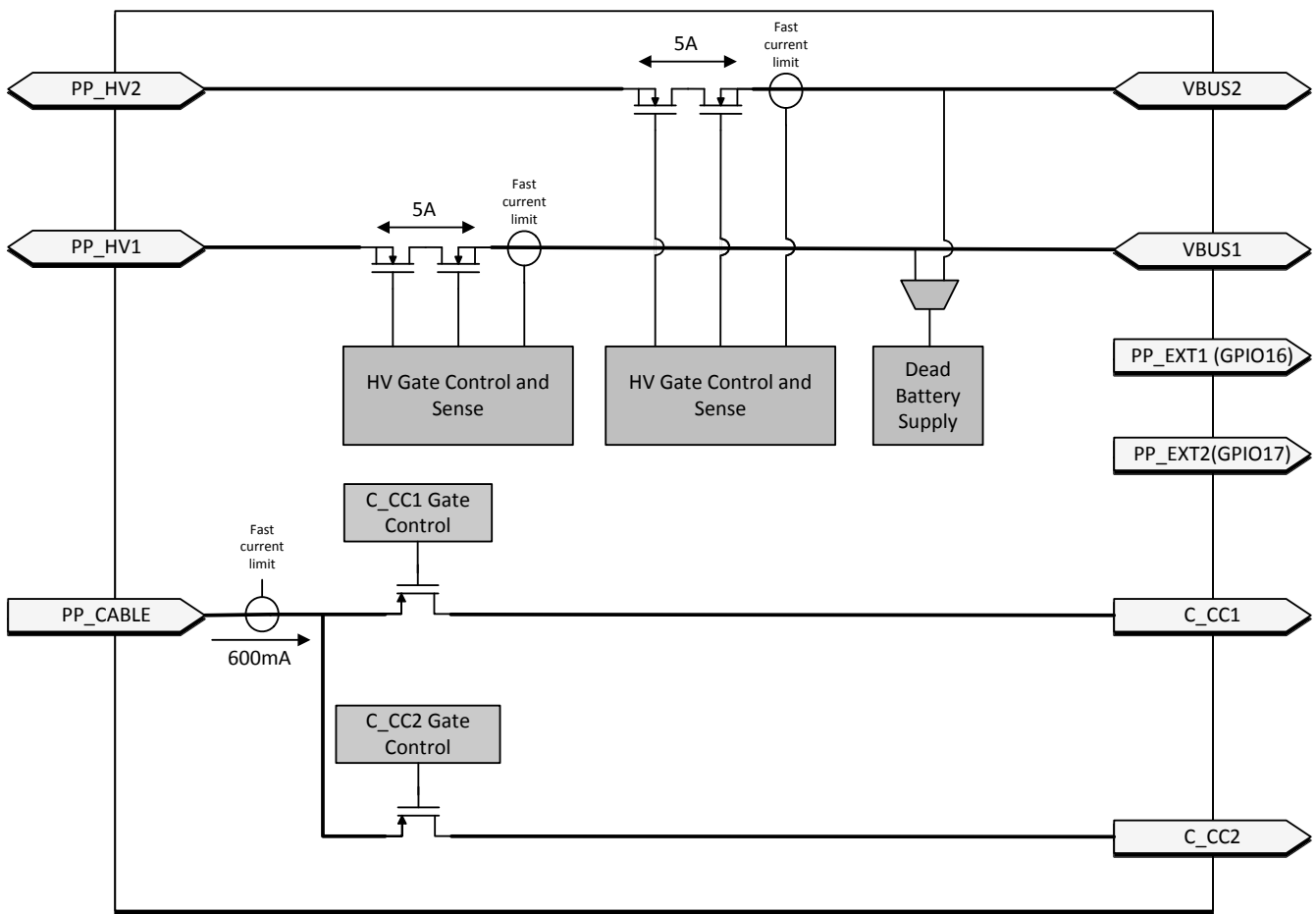
The TPS65987DDK contains an internal high-voltage LDO which is capable of converting up to 22 V from VBUS to 3.3 V for powering internal device circuitry. The VBUS LDO is only used during dead battery operation while the VIN\_3V3 supply is not present. The VBUS LDO may be powered from either VBUS1 or VBUS2. The path connecting each VBUS to the internal LDO blocks reverse current, preventing power on one VBUS from leaking to the other. When power is present on both VBUS inputs, the internal LDO draws current from both VBUS pins.

### 8.3.2.3 Supply Switch Over

VIN\_3V3 takes precedence over VBUS, meaning that when both supply voltages are present the TPS65987DDK powers from VIN\_3V3. See [8-9](#) for a diagram showing the power supply path block. There are two cases in which a power supply switch-over occurs. The first is when VBUS is present first and then VIN\_3V3 becomes available. In this case, the supply automatically switches over to VIN\_3V3 and brown-out prevention is verified by design. The other way a supply switch-over occurs is when both supplies are present and VIN\_3V3 is removed and falls below 2.85 V. In this case, a hard reset of the TPS65987DDK is initiated by device firmware, prompting a re-boot.

### 8.3.3 Port Power Switches

The figure below shows the TPS65987DDK internal power paths. The TPS65987DDK features two internal high-voltage power paths. Each path contains two back to back common drain N-Fets, current monitor, overvoltage monitor, undervoltage monitor, and temperature sensing circuitry. Each path may conduct up to 5 A safely. Additional external paths may be controlled through the TPS65987DDK GPIOs.



**8-10. Port Power Switches**

#### 8.3.3.1 PP\_HV Power Switch

The TPS65987DDK has two integrated bi-directional high-voltage switches that are rated for up to 5 A of current. Each switch may be used as either a sink or source path for supporting USB-PD power up to 20 V at 5 A of current.



注

The power paths can sustain up to 5 A of continuous current as long as the internal junction temperature of each path remains below 150°C. Care should be taken to follow the layout recommendations described in [Thermal Dissipation for FET Drain Pads](#).

注

It is recommended to use PPHV1 as a sink path and PPHV2 as a source path.

### 8.3.3.1.1 PP\_HV Overcurrent Clamp

The internal source PP\_HV path has an integrated overcurrent clamp circuit. The current through the internal PP\_HV paths are current limited to  $I_{OCC}$ . The  $I_{OCC}$  value is selected by application firmware and only enabled while acting as a source. When the current through the switch exceeds  $I_{OCC}$ , the current clamping circuit activates and the path behaves as a constant current source. If the duration of the overcurrent event exceeds the deglitch time, the switch is latched off.

### 8.3.3.1.2 PP\_HV Overcurrent Protection

The TPS65987DDK continuously monitors the forward voltage drop across the internal power switches. When a forward drop corresponding to a forward current of  $I_{OCP}$  is detected the internal power switch is latched off to protect the internal switches as well as upstream power supplies.

### 8.3.3.1.3 PP\_HV OVP and UVP

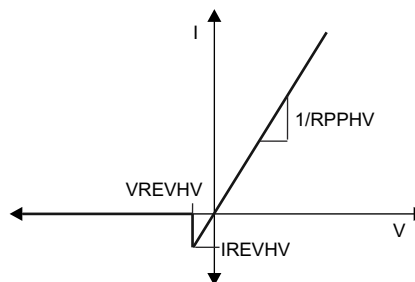
Both the overvoltage and undervoltage protection levels are configured by application firmware. When the voltage on a port's VBUS pin exceeds the set overvoltage threshold or falls below the set undervoltage threshold the associated PP\_HV path is automatically disabled.

### 8.3.3.1.4 PP\_HV Reverse Current Protection

The TPS65987DDK reverse current protection has two modes of operation: Comparator Mode and Ideal Diode Mode. Both modes disable the power switch in cases of reverse current. The comparator protection mode is enabled when the switch is operating as a source, while the ideal diode protection is enabled while operating as a sink.

In the Comparator mode of reverse current protection, the power switch is allowed to behave resistively until the current reaches the amount calculated in 式 1 and then blocks reverse current from VBUS to PP\_HV. [图 8-11](#) shows the diode behavior of the switch with comparator mode enabled.

$$I_{REVHV} = V_{REVHV} / R_{PPHV} \quad (1)$$



**图 8-11. Comparator Mode (Source) Internal HV Switch I-V Curve**

In the Ideal Diode mode of reverse current protection, the switch behaves as an ideal diode and blocks reverse current from PP\_HV to VBUS. [图 8-12](#) shows the diode behavior of the switch with ideal diode mode enabled.

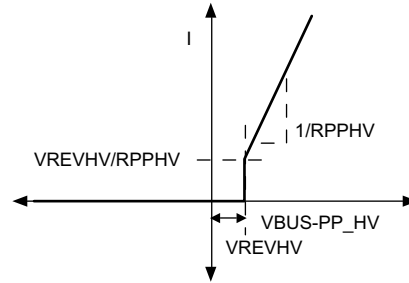


图 8-12. Ideal Diode Mode (Sink) Internal HV Switch I-V Curve

### 8.3.3.2 Schottky for Current Surge Protection

To prevent the possibility of large ground currents into the TPS65987DDK during sudden disconnects due to inductive effects in a cable, it is recommended that a Schottky diode be placed from VBUS to ground as shown in 图 8-13.

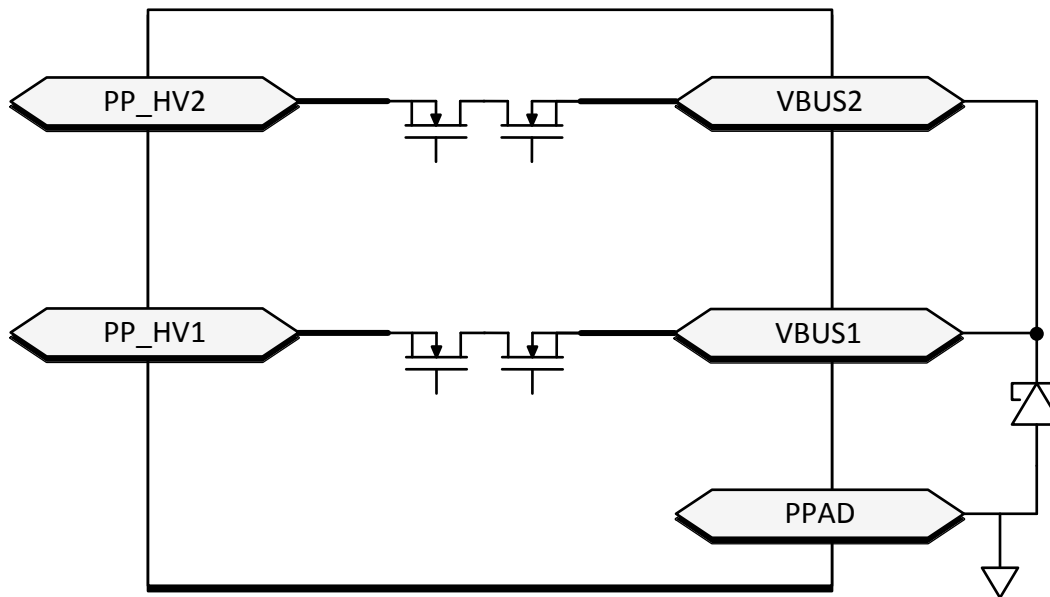


图 8-13. Schottky for Current Surge Protection

### 8.3.3.3 PP\_EXT Power Path Control

GPIO16 and GPIO17 of the TPS65987DDK are intended for control of additional external power paths. These GPIO are active high when configured for external path control and disables in response to an OVP or UVP event. Overcurrent protection and thermal shutdown are not available for external power paths controlled by GPIO16 and GPIO17.

注

GPIO16 and GPIO17 must be pulled to ground through an external pull-down resistor when used as external path control signals.

### 8.3.3.4 PP\_CABLE Power Switch

The TPS65987DDK has an integrated 5-V unidirectional power mux that is rated for up to 600 mA of current. The mux may supply power to either of the port CC pins for use as VCONN power.

#### 8.3.3.4.1 PP\_CABLE Overcurrent Protection

When enabled and providing VCONN power the TPS65987DDK PP\_CABLE power switches have a 600-mA current limit. When the current through the PP\_CABLE switch exceeds 600 mA, the current limiting circuit activates and the switch behaves as a constant current source. The switches do not have reverse current blocking when the switch is enabled and current is flowing to either C\_CC1 or C\_CC2.

#### 8.3.3.4.2 PP\_CABLE Input Good Monitor

The TPS65987DDK monitors the voltage at the PP\_CABLE pins prior to enabling the power switch. If the voltage at PP\_CABLE exceeds the input good threshold the switch is allowed to close, otherwise the switch remains open. Once the switch has been enabled, PP\_CABLE is allowed to fall below the input good threshold.

#### 8.3.3.5 VBUS Transition to VSAFE5V

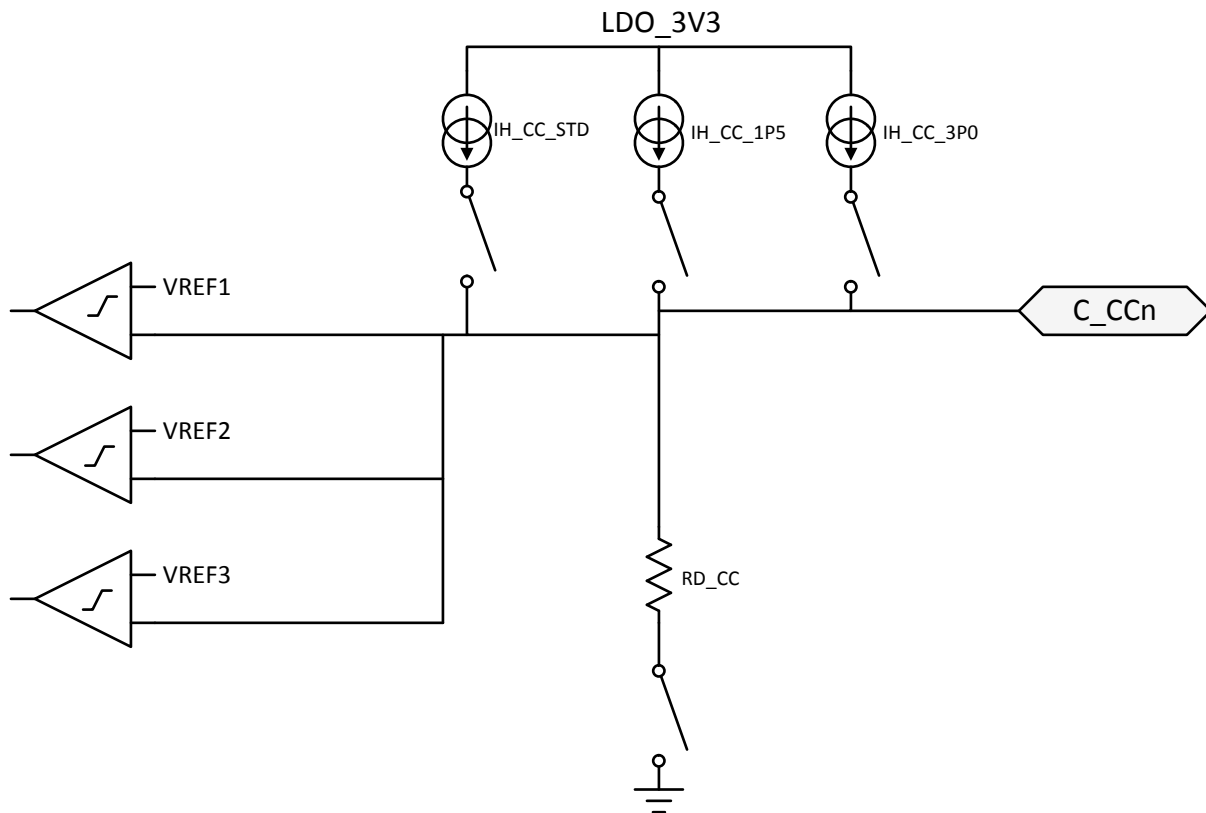
The TPS65987DDK has an integrated active pull-down on VBUS for transitioning from high voltage to VSAFE5V. When the high voltage switch is disabled and VBUS > VSAFE5V, an amplifier turns on a current source and pulls down on VBUS. The amplifier implements active slew rate control by adjusting the pull-down current to prevent the slew rate from exceeding specification. When VBUS falls to VSAFE5V, the pull-down is turned off.

#### 8.3.3.6 VBUS Transition to VSAFE0V

When VBUS transitions to near 0 V (VSAFE0V), the pull-down circuit in [VBUS Transition to VSAFE5V](#) is turned on until VBUS reaches VSAFE0V. This transition occurs within time TSAFE0V.

### 8.3.4 Cable Plug and Orientation Detection

8-14 shows the plug and orientation detection block at each C\_CCn pin (C\_CC1, C\_CC2). Each pin has identical detection circuitry.



8-14. Plug and Orientation Detection Block

### 8.3.4.1 Configured as a DFP

When one of the TPS65987DDK ports is configured as a DFP, the device detects when a cable or a UFP is attached using the C\_CC1 and C\_CC2 pins. When in a disconnected state, the TPS65987DDK monitors the voltages on these pins to determine what, if anything, is connected. See [USB Type-C Specification](#) for more information.

表 8-1 shows the Cable Detect States for a DFP.

**表 8-1. Cable Detect States for a DFP**

C_CC1	C_CC2	CONNECTION STATE	RESULTING ACTION
Open	Open	Nothing attached	Continue monitoring both C_CC pins for attach. Power is not applied to VBUS or VCONN until a UFP connect is detected.
Rd	Open	UFP attached	Monitor C_CC1 for detach. Power is applied to VBUS but not to VCONN (C_CC2).
Open	Rd	UFP attached	Monitor C_CC2 for detach. Power is applied to VBUS but not to VCONN (C_CC1).
Ra	Open	Powered Cable-No UFP attached	Monitor C_CC2 for a UFP attach and C_CC1 for cable detach. Power is not applied to VBUS or VCONN (C_CC1) until a UFP attach is detected.
Open	Ra	Powered Cable-No UFP attached	Monitor C_CC1 for a UFP attach and C_CC2 for cable detach. Power is not applied to VBUS or VCONN (C_CC1) until a UFP attach is detected.
Ra	Rd	Powered Cable-UFP Attached	Provide power on VBUS and VCONN (C_CC1) then monitor C_CC2 for a UFP detach. C_CC1 is not monitored for a detach.
Rd	Ra	Powered Cable-UFP attached	Provide power on VBUS and VCONN (C_CC2) then monitor C_CC1 for a UFP detach. C_CC2 is not monitored for a detach.
Rd	Rd	Debug Accessory Mode attached	Sense either C_CC pin for detach.
Ra	Ra	Audio Adapter Accessory Mode attached	Sense either C_CC pin for detach.

When a TPS65987DDK port is configured as a DFP, a current IH\_CC is driven out each C\_CCn pin and each pin is monitored for different states. When a UFP is attached to the pin a pull-down resistance of Rd to GND exists. The current IH\_CC is then forced across the resistance Rd generating a voltage at the C\_CCn pin.

When configured as a DFP advertising Default USB current sourcing capability, the TPS65987DDK applies IH\_CC\_USB to each C\_CCn pin. When a UFP with a pull-down resistance Rd is attached, the voltage on the C\_CCn pin pulls below VH\_CCD\_USB. The TPS65987DDK can be configured to advertise default (500 mA or 900 mA), 1.5-A and 3-A sourcing capabilities when acting as a DFP.

When the C\_CCn pin is connected to an active cable VCONN input, the pull-down resistance is different (Ra). In this case the voltage on the C\_CCn pin will pull below VH\_CCA\_USB/1P5/3P0 and the system recognizes the active cable.

The VH\_CCD\_USB/1P5/3P0 thresholds are monitored to detect a disconnection from each of these cases respectively. When a connection has been recognized and the voltage on the C\_CCn pin rises above the VH\_CCD\_USB/1P5/3P0 threshold, the system registers a disconnection.

### 8.3.4.2 Configured as a UFP

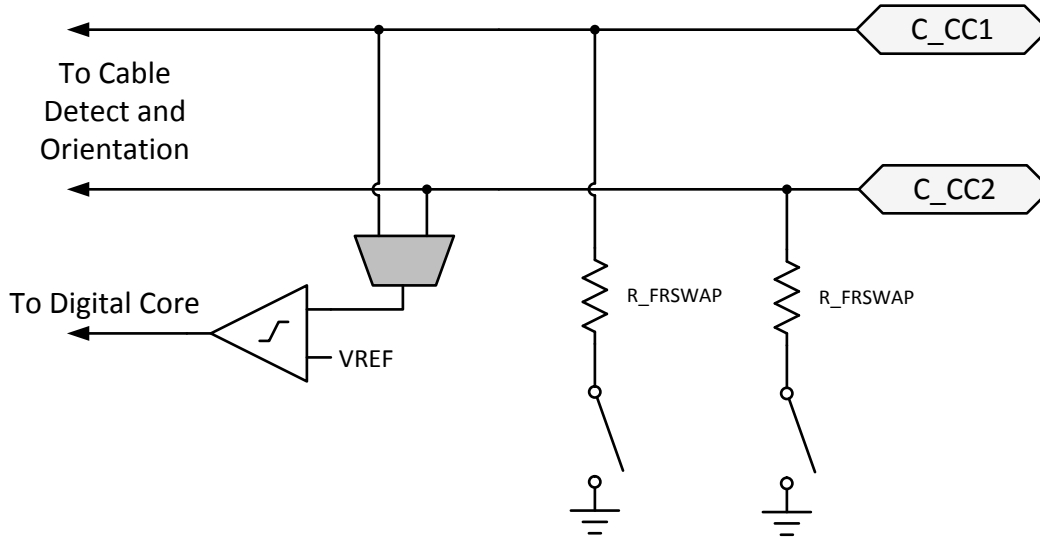
When a TPS65987DDK port is configured as a UFP, the TPS65987DDK presents a pull-down resistance RD\_CC on each C\_CCn pin and waits for a DFP to attach and pull-up the voltage on the pin. The DFP pulls-up the C\_CCn pin by applying either a resistance or a current. The UFP detects an attachment by the presence of VBUS. The UFP determines the advertised current from the DFP by the pull-up applied to the C\_CCn pin.

### 8.3.4.3 Configured as a DRP

When a TPS65987DDK port is configured as a DRP, the TPS65987DDK alternates the port's C\_CCn pins between the pull-down resistance, Rd, and pull-up current source, Rp.

### 8.3.4.4 Fast Role Swap Signaling

The TPS65987DDK cable plug block contains additional circuitry that may be used to support the Fast Role Swap (FRS) behavior defined in the [USB Power Delivery Specification](#). The circuitry provided for this functionality is detailed in [Figure 8-15](#).



**Figure 8-15. Fast Role Swap Detection and Signaling**

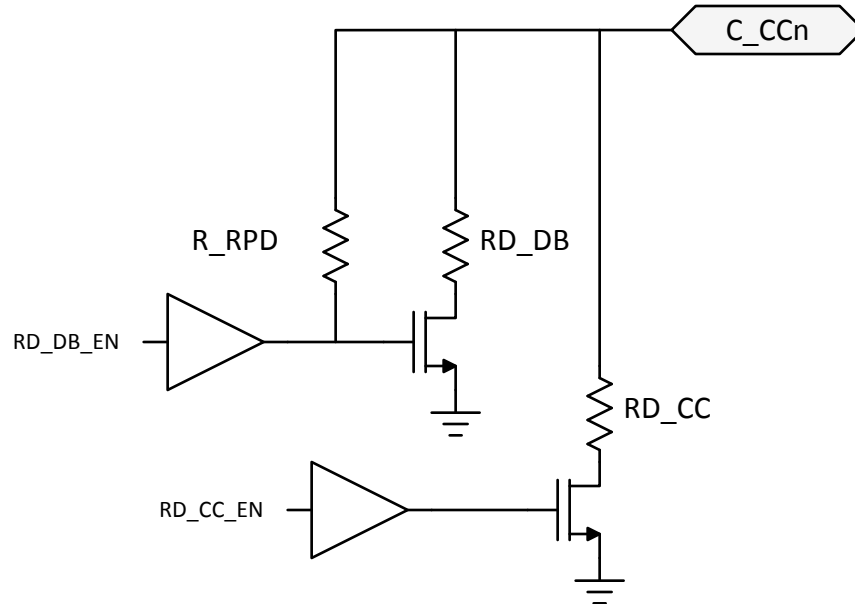
When a TPS65987DDK port is operating as a sink with FRS enabled, the TPS65987DDK monitors the CC pin voltage. If the CC voltage falls below  $V_{TH\_FRS}$  a fast role swap situation is detected and signaled to the digital core. When this signal is detected the TPS65987DDK ceases operating as a sink and begin operating as a source.

When a TPS65987DDK port is operating as a source with FRS enabled, the TPS65987DDK digital core can signal to the connected port partner that a fast role swap is required by enabling the  $R\_FRSWAP$  pull down on the connected CC pin. When this signal is sent the TPS65987DDK ceases operating as the source and begin operating as a sink.

## 8.3.5 Dead Battery Operation

### 8.3.5.1 Dead Battery Advertisement

The TPS65987DDK supports booting from no-battery or dead-battery conditions by receiving power from VBUS. Type-C USB ports require a sink to present  $R_d$  on the CC pin before a USB Type-C source provides a voltage on VBUS. The TPS65987DDK hardware is configured to present this  $R_d$  during a dead-battery or no-battery condition. Additional circuitry provides a mechanism to turn off this  $R_d$  once the device no longer requires power from VBUS. [Figure 8-16](#) shows the configuration of the  $C\_CCn$  pins, and elaborates on the basic cable plug and orientation detection block shown in [Figure 8-14](#). A resistance  $R\_RPD$  is connected to the gate of the pull-down FET on each  $C\_CCn$  pin. During normal operation when configured as a sink,  $R_d$  is  $R_d\_CC$ ; however, while dead-battery or no-battery conditions exist, the resistance is un-trimmed and is  $R_d\_DB$ . When  $R_d\_DB$  is presented during dead-battery or no-battery, application code switches to  $R_d\_CC$ .

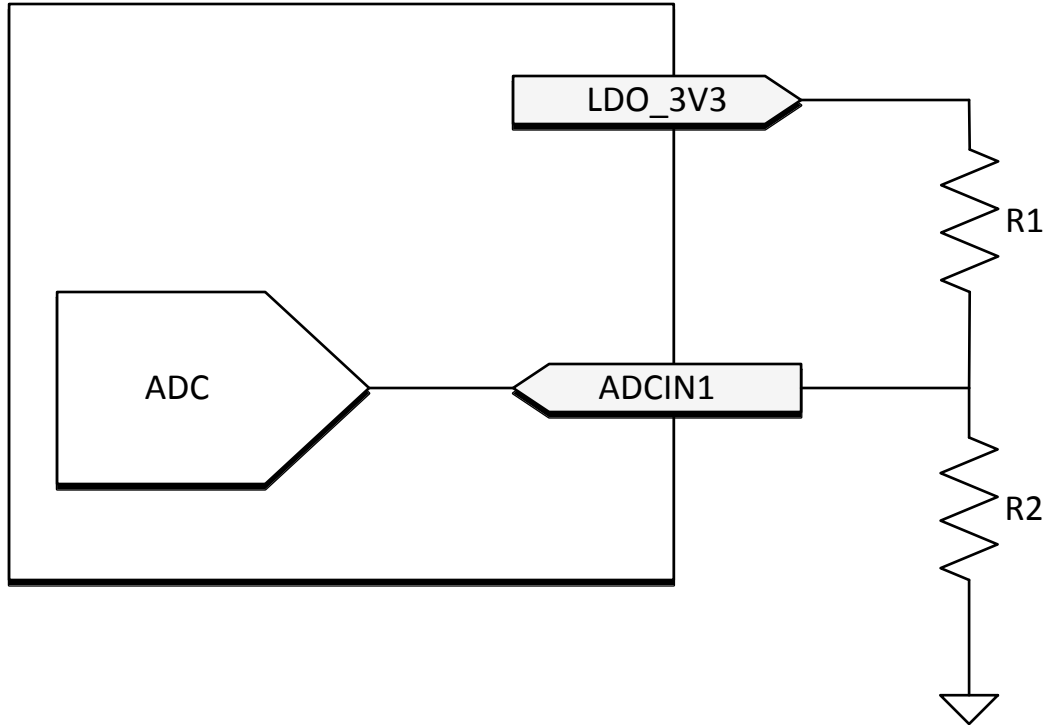


**8-16. Dead Battery Pull-Down Resistor**

In this case, the gate driver for the pull-down FET is Hi-Z at its output. When an external connection pulls up on C\_CCn (the case when connected to a DFP advertising with a pull-up resistance  $R_p$  or pull-up current), the connection through R\_RPD pulls up on the FET gate turning on the pull-down through RD\_DB. In this condition, the C\_CCn pin acts as a clamp VTH\_DB in series with the resistance RD\_DB.

### 8.3.5.2 BUSPOWER (ADCIN1)

The BUSPOWER input to the internal ADC controls the behavior of the TPS65987DDK in response to VBUS being supplied during a dead battery condition. The pin must be externally tied to the LDO\_3V3 output via a resistive divider. At power-up the ADC converts the BUSPOWER voltage and the digital core uses this value to determine start-up behavior. It is recommended to tie ADCin1 to LDO\_3V3 through a resistor divider as shown in [8-17](#). For more information about how to use the ADCIN1 pin to configure the TPS65987DDK, see the [Boot](#) section.



**8-17. ADCIN1 Resistor Divider**

注

Devices implementing the BP\_WaitFor3V3\_External configuration must use GPIO16 for external sink path control.

### 8.3.6 ADC

The TPS65987DDK integrated ADC is accessible to internal firmware only. The ADC reads are not available for external use.

### 8.3.7 DisplayPort HPD

To enable HPD signaling through PD messaging, a single pin is used as the HPD input and output for each port. When events occur on these pins during a DisplayPort connection through the Type-C connector (configured by firmware), hardware timers trigger and interrupt the digital core to indicate needed PD messaging. When one of the TPS65987DDK's ports is operating as a DP source, its corresponding HPD pin operates as an output (HPD TX), and when a port is operating as a DP sink, its corresponding HPD pin operates as an input (HPD RX). When DisplayPort is not enabled via firmware the HPD pin operates as a generic GPIO (GPIO3).

### 8.3.8 Digital Interfaces

#### 8.3.8.1 General GPIO

**8-18** shows the GPIO I/O buffer for all GPIO pins. GPIO pins can be mapped to USB Type-C, USB PD, and application-specific events to control other ICs, interrupt a host processor, or receive input from another IC. This buffer is configurable to be a push-pull output, a weak push-pull, or open drain output. When configured as an input, the signal can be a de-glitched digital input. The push-pull output is a simple CMOS output with independent pull-down control allowing open-drain connections. The weak push-pull is also a CMOS output, but with GPIO\_RPU resistance in series with the drain. The supply voltage to the output buffer is LDO\_3V3 and LDO\_1V8 to the input buffer. When interfacing with non 3.3-V I/O devices the output buffer may be configured as an open drain output and an external pull-up resistor attached to the GPIO pin. The pull-up and pull-down output

drivers are independently controlled from the input and are enabled or disabled via application code in the digital core.

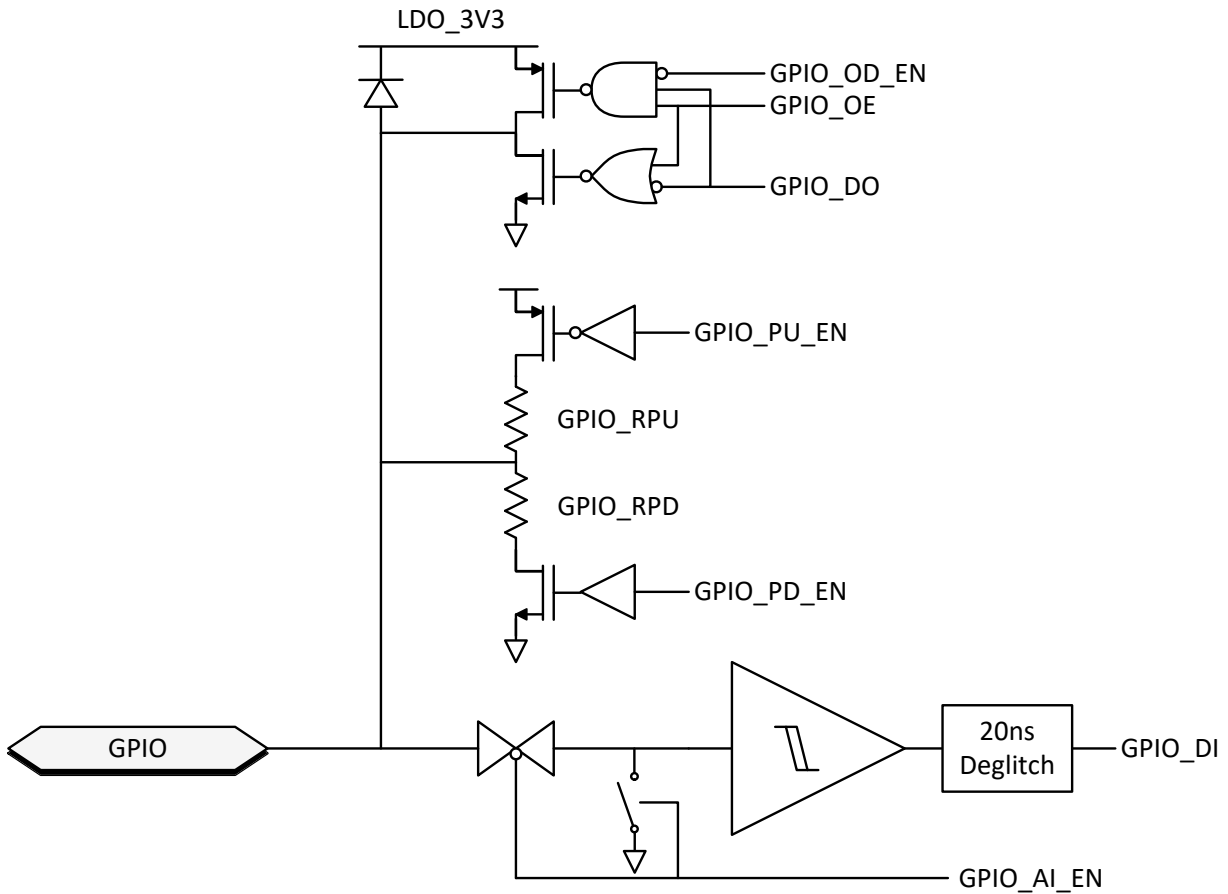


Figure 8-18. General GPIO Buffer

### 8.3.8.2 I<sup>2</sup>C

The TPS65987DDK features three I<sup>2</sup>C interfaces. The I<sup>2</sup>C1 interface is configurable to operate as a master or slave. The I<sup>2</sup>C2 interface may only operate as a slave. The I<sup>2</sup>C3 interface may only operate as a master. The I<sup>2</sup>C I/O driver is shown in Figure 8-19. This I/O consists of an open-drain output and an input comparator with deglitching. The I<sup>2</sup>C input thresholds are set by LDO\_1V8 and by default.

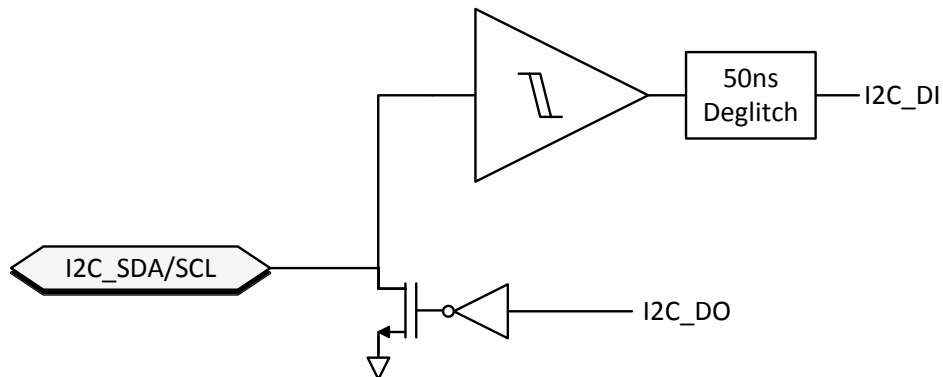
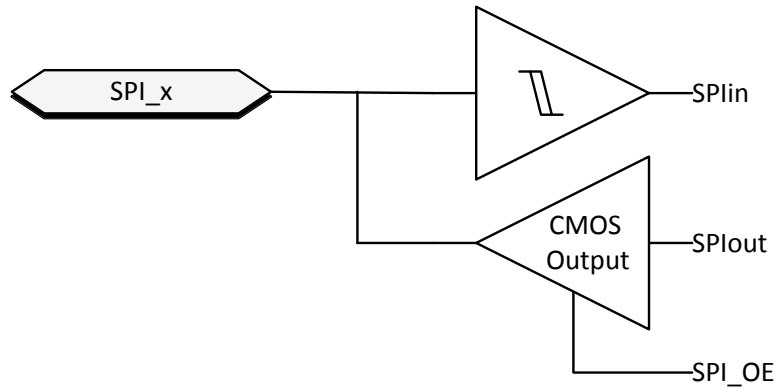


Figure 8-19. I<sup>2</sup>C Buffer



### 8.3.8.3 SPI

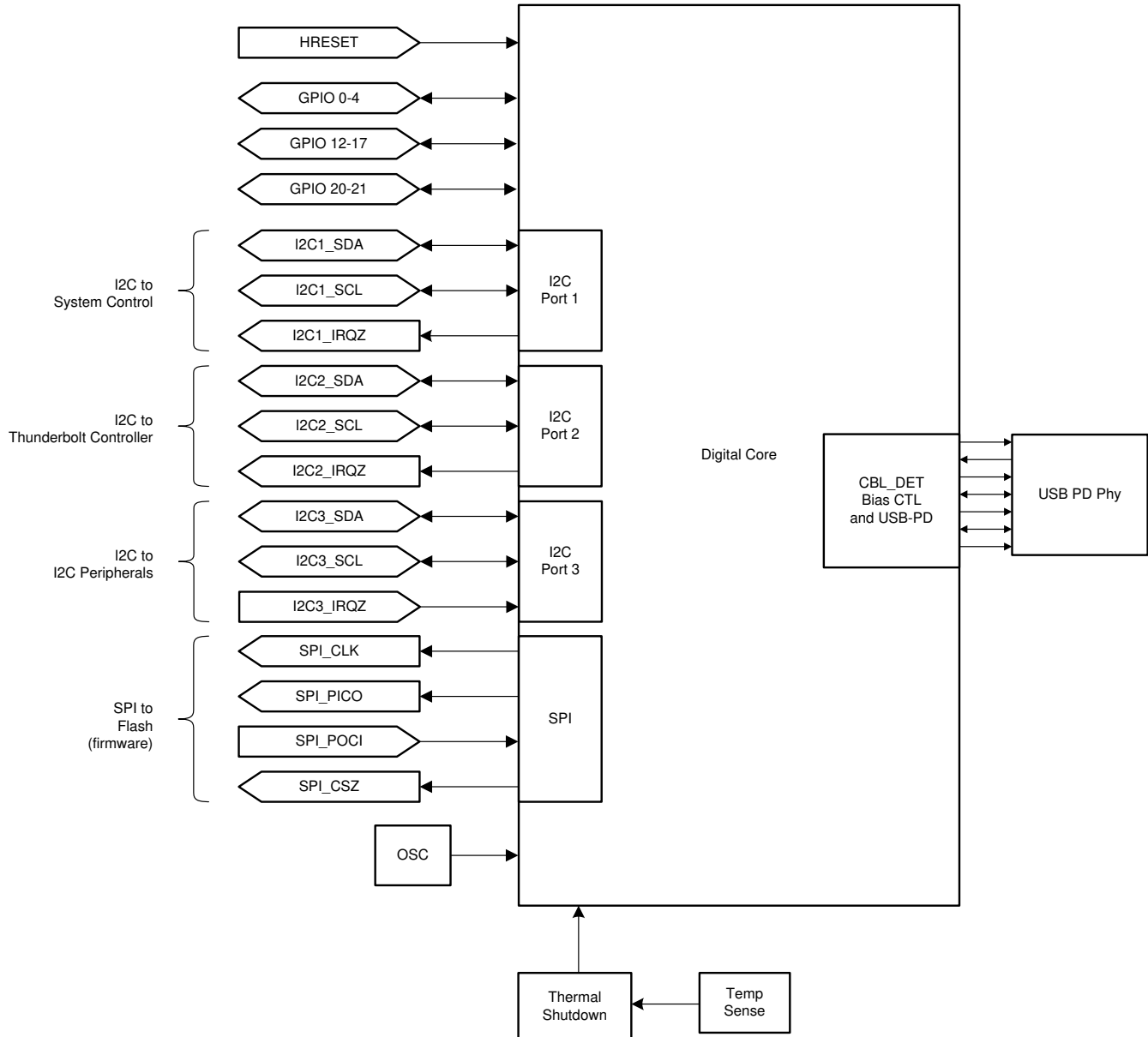
The TPS65987DDK has a single SPI controller interface for use with external memory devices. [Figure 8-20](#) shows the I/O buffers for the SPI interface.



**Figure 8-20. SPI buffer**

### 8.3.9 Digital Core

The figure below shows a simplified block diagram of the digital core.



**8-21. Digital Core Block Diagram**

### 8.3.10 I<sup>2</sup>C Interfaces

#### 8.3.10.1 I<sup>2</sup>C Interface Description

The TPS65987DDK support Standard and Fast mode I<sup>2</sup>C interface. The bidirectional I<sup>2</sup>C bus consists of the serial clock (SCL) and serial data (SDA) lines. Both lines must be connected to a supply through a pull-up resistor. Data transfer may be initiated only when the bus is not busy.

A master sending a Start condition, a high-to-low transition on the SDA input/output, while the SCL input is high initiates I<sup>2</sup>C communication. After the Start condition, the device address byte is sent, most significant bit (MSB) first, including the data direction bit (R/W).

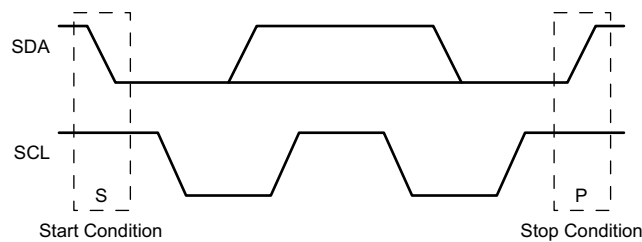
After receiving the valid address byte, this device responds with an acknowledge (ACK), a low on the SDA input and output during the high of the ACK-related clock pulse. On the I<sup>2</sup>C bus, only one data bit is transferred during each clock pulse. The data on the SDA line must remain stable during the high pulse of the clock period as

changes in the data line at this time are interpreted as control commands (Start or Stop). The master sends a Stop condition, a low-to-high transition on the SDA input and output while the SCL input is high.

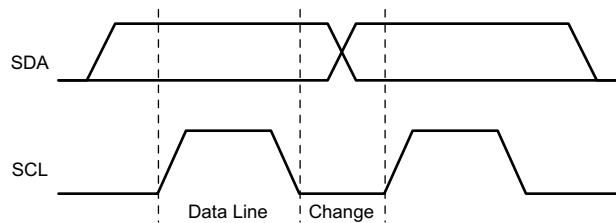
Any number of data bytes can be transferred from the transmitter to receiver between the Start and the Stop conditions. Each byte of eight bits is followed by one ACK bit. The transmitter must release the SDA line before the receiver can send an ACK bit. The device that acknowledges must pull down the SDA line during the ACK-related clock pulse, so that the SDA line is stable low during the high pulse of the ACK-related clock period. When a slave receiver is addressed, it must generate an ACK after each byte is received. Similarly, the master must generate an ACK after each byte that it receives from the slave transmitter. Setup and hold times must be met to ensure proper operation.

A master receiver signals an end of data to the slave transmitter by not generating an acknowledge (NACK) after the last byte has been clocked out of the slave. The master receiver holding the SDA line high does this. In this event, the transmitter must release the data line to enable the master to generate a Stop condition.

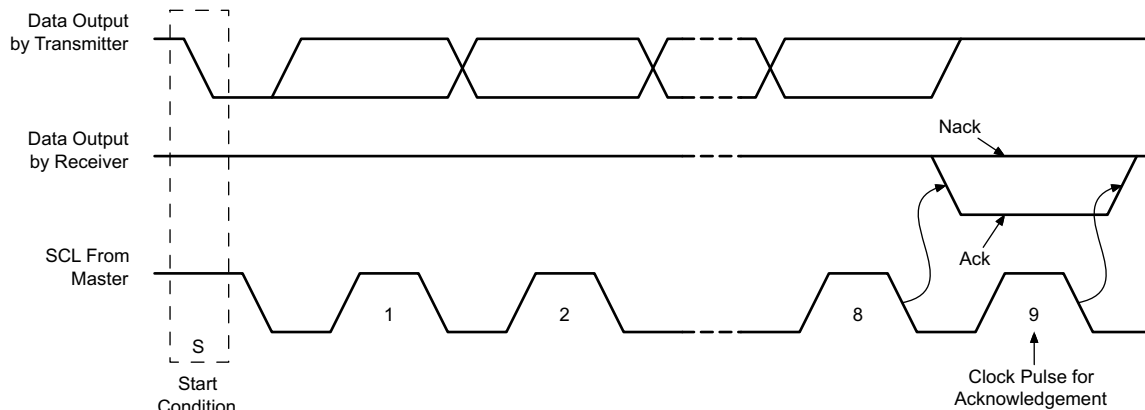
☒ 8-22 shows the start and stop conditions of the transfer. ☒ 8-23 shows the SDA and SCL signals for transferring a bit. ☒ 8-24 shows a data transfer sequence with the ACK or NACK at the last clock pulse.



☒ 8-22. I<sup>2</sup>C Definition of Start and Stop Conditions



☒ 8-23. I<sup>2</sup>C Bit Transfer



☒ 8-24. I<sup>2</sup>C Acknowledgment

### 8.3.10.2 I<sup>2</sup>C Clock Stretching

The TPS65987DDK features clock stretching for the I<sup>2</sup>C protocol. The TPS65987DDK slave I<sup>2</sup>C port may hold the clock line (SCL) low after receiving (or sending) a byte, indicating that it is not yet ready to process more

data. The master communicating with the slave must not finish the transmission of the current bit and must wait until the clock line actually goes high. When the slave is clock stretching, the clock line remains low.

The master must wait until it observes the clock line transitioning high plus an additional minimum time (4 μs for standard 100-kbps I<sup>2</sup>C) before pulling the clock low again.

Any clock pulse may be stretched but typically it is the interval before or after the acknowledgment bit.

### 8.3.10.3 I<sup>2</sup>C Address Setting

The boot flow sets the hardware configurable unique I<sup>2</sup>C address of the TPS65987DDK before the port is enabled to respond to I<sup>2</sup>C transactions. For the I2C1 interface, the unique I<sup>2</sup>C address is determined by the analog level set by the analog ADCIN2 pin as shown in 表 8-2 .

**表 8-2. I<sup>2</sup>C Default Unique Address I2C1**

DEFAULT I <sup>2</sup> C UNIQUE ADDRESS							
Bit 7	Bit 6	Bit 5	Bit 4	Bit 3	Bit 2	Bit 1	Bit 0
Set by ADCIN2 divider, see <a href="#">I<sup>2</sup>C Pin Address Setting (ADCIN2)</a>							R/W
Note 1: Any bit is maskable for each port independently providing firmware override of the I <sup>2</sup> C address.							

For the I2C2 interface, the unique I<sup>2</sup>C address is a fixed value as shown in 表 8-3 .

**表 8-3. I<sup>2</sup>C Default Unique Address I2C2**

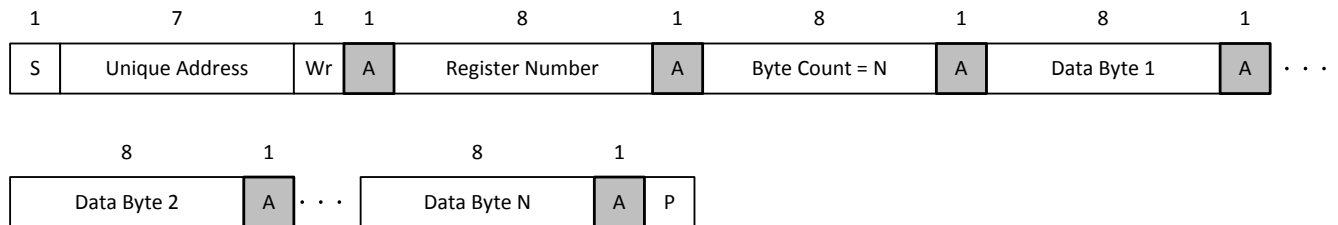
DEFAULT I <sup>2</sup> C UNIQUE ADDRESS							
Bit 7	Bit 6	Bit 5	Bit 4	Bit 3	Bit 2	Bit 1	Bit 0
Set by ADCIN2 divider, see <a href="#">I<sup>2</sup>C Pin Address Setting (ADCIN2)</a>							R/W
Note 1: Any bit is maskable for each port independently, providing firmware override of the I <sup>2</sup> C address.							

注

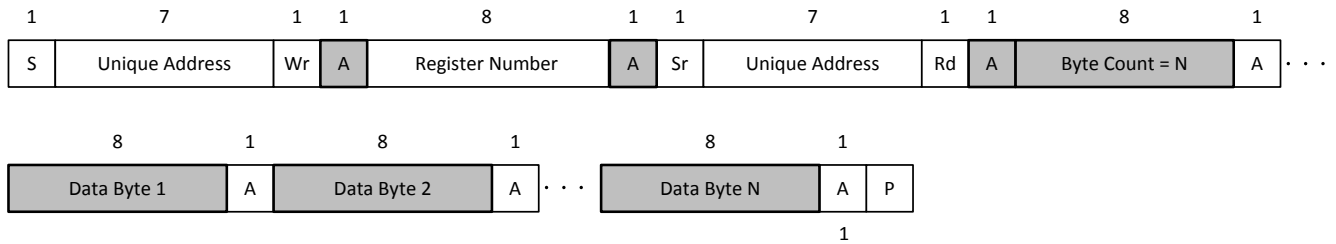
The TPS65987DDK I2C address values are set and controlled by device firmware. Certain firmware configurations may override the presented address settings.

### 8.3.10.4 Unique Address Interface

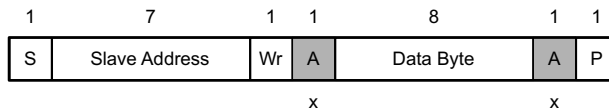
The Unique Address Interface allows for complex interaction between an I<sup>2</sup>C master and a single TPS65987DDK. The I<sup>2</sup>C Slave sub-address is used to receive or respond to Host Interface protocol commands. 図 8-25 and 图 8-26 show the write and read protocol for the I<sup>2</sup>C slave interface, and a key is included in 图 8-27 to explain the terminology used. The key to the protocol diagrams is in the SMBus Specification and is repeated here in part.



**图 8-25. I<sup>2</sup>C Unique Address Write Register Protocol**



**8-26. I<sup>2</sup>C Unique Address Read Register Protocol**



- S Start Condition
- SR Repeated Start Condition
- Rd Read (bit value of 1)
- Wr Write (bit value of 0)
- x Field is required to have the value x
- A Acknowledge (this bit position may be 0 for an ACK or 1 for a NACK)
- P Stop Condition
- Master-to-Slave
- Slave-to-Master
- Continuation of protocol

**8-27. I<sup>2</sup>C Read/Write Protocol Key**

**8.3.10.5 I<sup>2</sup>C Pin Address Setting (ADCIN2)**

To enable the setting of multiple I<sup>2</sup>C addresses using a single TPS65987DDK pin, a resistor divider is placed externally on the ADCIN2 pin. The internal ADC then decodes the address from this divider value. [8-28](#) shows the decoding.

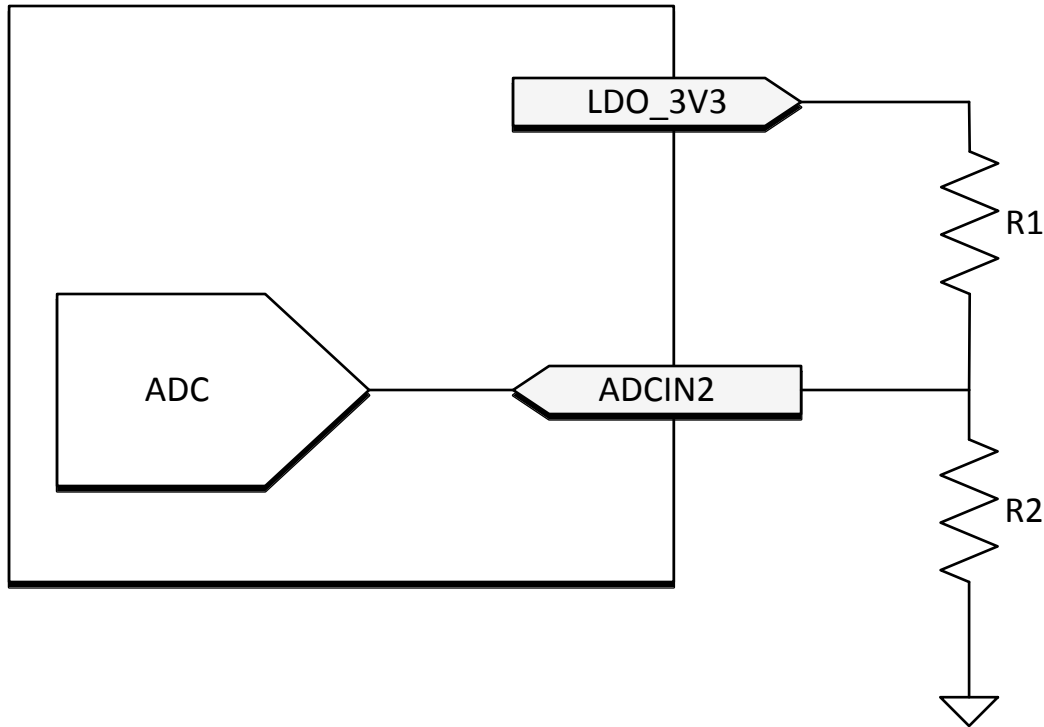


图 8-28. I<sup>2</sup>C Address Divider

表 8-4 lists the external divider needed to set bits [3:1] of the I<sup>2</sup>C Unique Address.

表 8-4. I<sup>2</sup>C Address Selection

DIV = R2/(R1+R2) <sup>(1)</sup>		I <sup>2</sup> C1 UNIQUE ADDRESS (7bit)	I <sup>2</sup> C2 UNIQUE ADDRESS (7bit)
DIV_min	DIV_max	I <sup>2</sup> C1 SLAVE ADDRESS	I <sup>2</sup> C2 SLAVE ADDRESS
Short to GND	0.18	0x20	0x38
0.20	0.38	0x21	0x3F
0.40	0.58	0x22	0x4F
0.6	Short to LDO_3V3	0x23	0x48

(1) External resistor tolerance of 1% is required. Resistor values must be chosen to yield a DIV value centered nominally between listed MIN and MAX values.

### 8.3.11 SPI Controller Interface

The TPS65987DDK loads any ROM patch and-or configuration from flash memory during the boot sequence. The TPS65987DDK is designed to power the flash from LDO\_3V3 in order to support dead-battery or no-battery conditions, and therefore pull-up resistors used for the flash memory must be tied to LDO\_3V3. The flash memory IC must support 12 MHz SPI clock frequency. The size of the flash must be at least 64 kB. The SPI controller of the TPS65987DDK supports SPI Mode 0. For Mode 0, data delay is defined s0 that data is output on the same cycle as chip select (SPI\_CS pin) becomes active. The chip select polarity is active-low. The clock phase is defined such that data (on the SPI\_POCI and SPI\_PICO pins) is shifted out on the falling edge of the clock (SPI\_CLK pin) and data is sampled on the rising edge of the clock. The clock polarity for chip select is defined such that when data is not being transferred the SPI\_CLK pin is held (or idling) low. The minimum erasable sector size of the flash must be 4 KB. The W25X05CL or similar is recommended.

### 8.3.12 Thermal Shutdown

The TPS65987DDK features a central thermal shutdown as well as independent thermal sensors for each internal power path. The central thermal shutdown monitors the overall temperature of the die and disables all functions except for supervisory circuitry when die temperature goes above a rising temperature of TSD\_MAIN. The temperature shutdown has a hysteresis of TSDH\_MAIN and when the temperature falls back below this value, the device resumes normal operation.

The power path thermal shutdown monitors the temperature of each internal power path and disables the power path in response to an overtemperature event. Once the temperature falls below TSDH\_PWR the path can be configured to resume operation or remain disabled until re-enabled by firmware.

### 8.3.13 Oscillators

The TPS65987DDK has two independent oscillators for generating internal clock domains. A 24-MHz oscillator generates clocks for the core during normal operation. A 100-kHz oscillator generates clocks for various timers and clocking the core during low power states.

## 8.4 Device Functional Modes

### 8.4.1 Boot

At initial power on the device goes through a boot routine. This routine is responsible for initializing device register values and loading device patch and configuration bundles. The device's functional behavior after boot can be configured through the use of pin straps on the SPI\_POCI and ADCIN1 pins as shown in [表 8-5](#).

**表 8-5. Boot Mode Pin Strapping**

SPI_POCI	ADCIN1 DIV = R2/(R1+R2) <sup>(1)</sup>		DEAD BATTERY MODE	DEVICE CONFIGURATION
	DIV MIN	DIV MAX		
1	0.00	0.18	BP_NoResponse	Safe Configuration
1	0.20	0.28	BP_WaitFor3V3_Internal	Safe Configuration
1	0.30	0.38	BP_ECWait_Internal	Infinite Wait
1	0.40	0.48	BP_WaitFor3V3_External	Safe Configuration
1	0.50	0.58	BP_ECWait_External	Infinite Wait
1	0.60	1.00	BP_NoWait	Safe Configuration
0	0.10	0.18	BP_NoResponse	Infinite Wait
0	0.20	0.28	BP_NoResponse	Infinite Wait
0	0.30	0.38	BP_ECWait_Internal	Infinite Wait
0	0.40	0.48	BP_NoWait	Configuration 3
0	0.50	0.58	BP_ECWait_External	Infinite Wait
0	0.60	0.68	BP_NoResponse	Infinite Wait
0	0.70	0.78	BP_NoWait	Reserved
0	0.80	0.88	BP_NoResponse	Infinite Wait
0	0.90	1.00	BP_NoWait	Configuration 5

(1) External resistor tolerance of 1% is required. Resistor values must be chosen to yield a DIV value centered nominally between listed MIN and MAX values.

The pin strapping configures two different parameters, Dead battery mode and device configuration. The dead battery mode selects device behavior when powered from VBUS. The dead battery mode behaviors are detailed in [表 8-6](#).

**表 8-6. Dead Battery Configurations**

CONFIGURATION	DESCRIPTION
BP_NoResponse	No power switch is enabled and the device does not start-up until VIN_3V3 is present.

**表 8-6. Dead Battery Configurations (continued)**

CONFIGURATION	DESCRIPTION
BP_WaitFor3V3_Internal	The internal power switch from VBUSx to PP_HVx is enabled for the port receiving power. The device does not continue to start-up or attempt to load device configurations until VIN_3V3 is present.
BP_WaitFor3V3_External	The external power switch from VBUSx to PP_HVx is enabled for the port receiving power. The device does not continue to start-up or attempt to load device configurations until VIN_3V3 is present.
BP_ECWait_Internal	The internal power switch from VBUSx to PP_HVx is enabled for the port receiving power. The device infinitely tries to load configuration.
BP_ECWait_External	The external power switch from VBUSx to PP_HVx is enabled for the port receiving power. The device infinitely tries to load configuration.
BP_NoWait	The device continues to start-up and attempts to load configurations while receiving power from VBUS. Once configuration is loaded the appropriate power switch is closed based on the loaded configuration.

**注**

Devices implementing the BP\_WaitFor3V3\_External or BP\_ECWait\_External configuration must use GPIO16 for external sink path control, while devices implementing the BP\_WaitFor3V3\_Internal or BP\_ECWait\_Internal must use PPHV1 as the sink path.

When powering up from VIN\_3V3 or VBUS the device will attempt to load configuration information from the SPI or I2C digital interfaces. The device configuration settings select the device behavior should configuration information not be available during the device boot process. 表 8-7 shows the device behavior for each device configuration setting.

**表 8-7. Device Default Configurations**

CONFIGURATION	DESCRIPTION
Safe	Ports disabled, if powered from VBUS operates a legacy sink
Infinite Wait	Device infinitely waits in boot state for configuration information
Configuration 1	Reserved
Configuration 2	Reserved
Configuration 3	UFP only (Internal Switch) 5-20 V at 0.9 - 3.0-A Sink capability TBT Alternate Modes not enabled DisplayPort Alternate Modes not enabled
Configuration 4	Reserved
Configuration 5	UFP only (External Switch)) 5-20 V at 0.9-3.0-A Sink capability 5 V at 3.0-A Source capability TBT Alternate Modes not enabled DisplayPort Alternate Modes not enabled

**8.4.2 Power States**

The TPS65987DDK may operate in one of three different power states: Active, Idle, or Sleep. The functionality available in each state is summarized in 表 8-8.

**表 8-8. Power States**

	ACTIVE	IDLE	SLEEP
Type-C State			
Type-C State	Connected or Unconnected	Connected or Unconnected	Unconnected
Type-C Port 2 State	Connected or Unconnected	Connected or Unconnected	Unconnected
LDO_3V3 <sup>(1)</sup>	Valid	Valid	Valid



**表 8-8. Power States (continued)**

	<b>ACTIVE</b>	<b>IDLE</b>	<b>SLEEP</b>
LDO_1V8	Valid	Valid	Valid
Oscillator Status			
Digital Core Clock Frequency	12 MHz	4 MHz - 6 MHz	100 kHz
100-kHz Oscillator Status	Enabled	Enabled	Enabled
24-MHz Oscillator Status	Enabled	Enabled	Disabled
Available Features			
Type-C Detection	Yes	Yes	Yes
PD Communication	Yes	No	No
I2C Communication	Yes	Yes	No
SPI Communication	Yes	No	No
Wake Events			
Wake on Attach/Detach	N/A	Yes	Yes
Wake on PD Communication	N/A	Yes <sup>(2)</sup>	No
Wake on I2C Communication	N/A	Yes	Yes

- (1) LDO\_3V3 may be generated from either VIN\_3V3 or VBUS. If LDO\_3V3 is generated from VBUS, TPS65987DDK port only operate as sinks.
- (2) Wake up from Idle to Active upon a PD message is supported however the first PD message received is lost.

## 9 Application and Implementation

### 注

以下のアプリケーション情報は、TI の製品仕様に含まれるものではなく、TI ではその正確性または完全性を保証いたしません。個々の目的に対する製品の適合性については、お客様の責任で判断していただくことになります。お客様は自身の設計実装を検証しテストすることで、システムの機能を確認する必要があります。

### 9.1 Application Information

The TPS65987DDK firmware implements a host interface over I<sup>2</sup>C to allow for the configuration and control of all device options. Initial device configuration is configured through a configuration bundle loaded onto the device during boot. The bundle may be loaded through I<sup>2</sup>C or SPI. The TPS65987DDK configuration bundle and host interface allow the device to be customized for each specific application. The configuration bundle can be generated through the Application Customization Tool.

### 9.2 Typical Applications

#### 9.2.1 USB4 Device Application with Host Charging

The figure below shows a USB4 Device application, where there are a total of four Type-C PD Ports. One port is the main connection to a USB4 Host that is a UFP in terms of data and a source of power. The other three ports are DFPs in terms of data and source power. Generally the main UFP source Type-C PD port provides the highest power (up to 100 W) to charge a USB4 Host. The key four devices in the system are the PD Controller (2), Dock Management Controller, USB4 Hub Controller, and UFP Variable Power Supply.

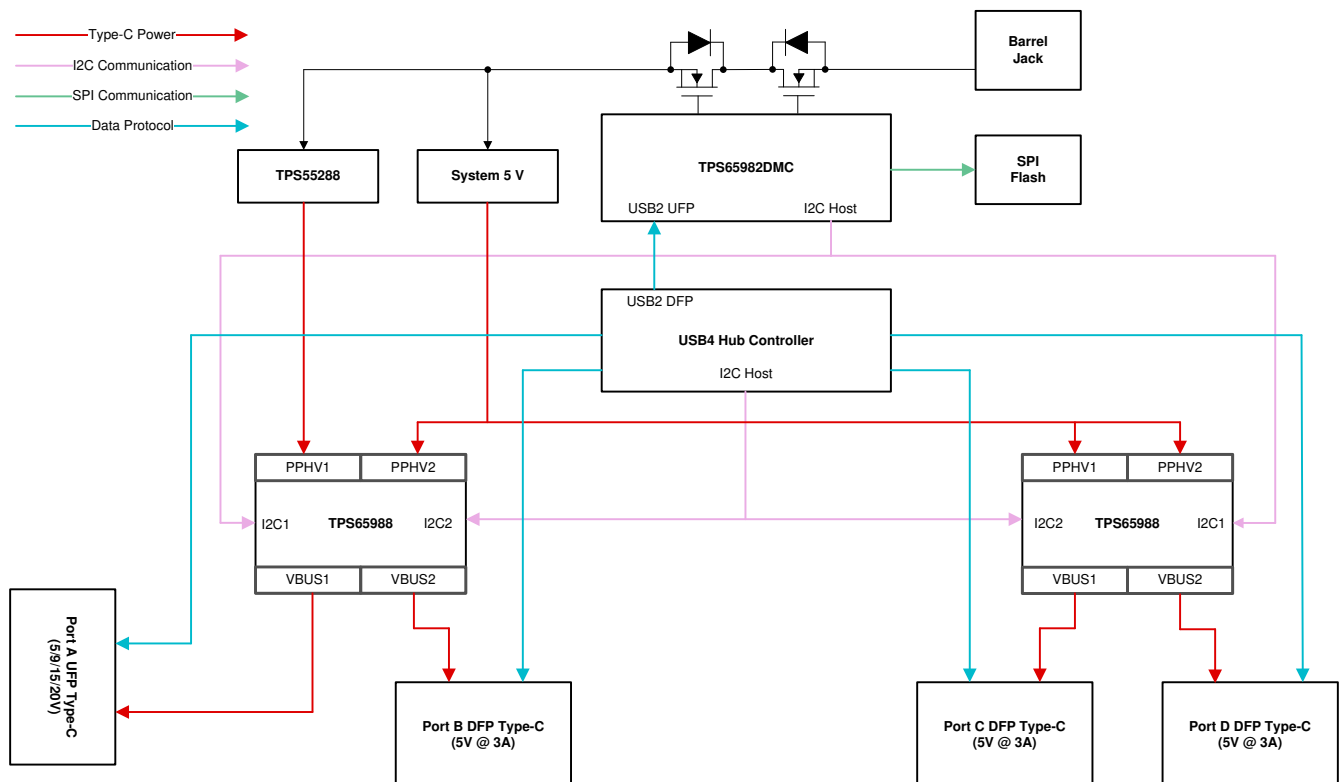


図 9-1. USB4 Device Block Diagram

In this application, two dual port TPS65987DDK PD controllers are used to determine the connection and provide power on the Type-C ports. The primary TPS65987DDK manages Port A (UFP Source) and Port B (DFP Source). The secondary TPS65987DDK manages the other two, Port C (DFP Source) and Port D (DFP Source). For systems that do not need all four ports a combination of TPS65987DDK and TPS65987DDK may be used to

scale for specific design requirements. The PD controllers have two I2C clients that are controlled by the Dock Management Controller and the USB4 Hub Controller. The PD controllers have an optional I2C Host that may be used to control a variable power supply.

The Dock Management Controller (DMC), TPS65982DMC, main functions are the Connection Manager, Power Manager, Input Power Control, Secure Firmware Update & booting of the PD controllers. The Connection Manager determines the capabilities of the UFP connection and sets the DFP capabilities accordingly. The Power Manager keeps the power allocated to each of the Type-C ports within a specific power budget and also monitors the entire system power to keep from over loading the Barrel Jack adapter supply. The DMC also controls the input power to the system and soft starts the power path to prevent large inrush currents when the Barrel Jack supply is connected. The Secure Firmware Update is accomplished over USB2, the DMC is connected to one of the USB2 DFP ports on the USB4 Hub Controller or USB2 Hub in the system. The DMC provides the Secure Firmware Update for itself and the PD controllers. The DMC will boot the PD controllers over the I2C connection. The I2C connection between the DMC and PD controllers also serves as communication channel for the Connection and Power Manager.

The USB4 Hub Controller manages the data paths for all of the Type-C ports and determines the required data protocol by reading the PD controller status over I2C connection. The UFP port is the main connection to the USB4 Hub Controller from a USB4 host. The other DFP ports act as expansion ports to connect other USB Type-C & PD devices.

The UFP Variable Power Supply provides 5 V/9 V/15 V/20 V up to 100 W to charge the connected USB4 host. The TPS55288 is used in this application since it is capable of tightly regulating the output voltage and current. The TPS55288 is best connected to the I2C Host on the Primary PD controller, to set the output voltage and current regulation. The other DFP ports generally support 5 V @ 3 A to connect to Type-C & PD devices.

### 9.2.1.1 Design Requirements

#### 9.2.1.1.1 Power Supply Design Requirements

表 9-1 shows the Power Design parameters for the USB4 Device application.

**表 9-1. Power Supply Design Requirements**

POWER DESIGN PARAMETERS	VALUE	CURRENT PATH
UFP Source Port A	5 V/9 V/15 V/20 V @ 5 A	Host Charging VBUS
DFP Source Port B/C/D	5 V @ 9 A (3 A per port)	DFP VBUS
PP_CABLE Port A/B/C/D	5 V @ 2 A (500 mA per port)	VCONN Source
DMC External Input Path	20 V @ 10 A (Imax sensed)	USB4 Device Input Power
VIN_3V3 PD Controller & DMC	3.3 V @ 150 mA (50 mA per device)	PD Controller & DMC Power

### 9.2.1.2 Detailed Design Procedure

#### 9.2.1.2.1 USB Power Delivery Source Capabilities

表 9-2 summarizes the source PDOs for all of the ports for the USB4 Device.

**表 9-2. Source Capabilities**

PORT	PDO TYPES	VOLTAGE	CURRENT
Port A	Fixed	5 V/9 V/15 V/20 V	3 A/3 A/3 A/5 A
Port B	Fixed	5 V	3 A
Port C	Fixed	5 V	3 A
Port D	Fixed	5 V	3 A

### 9.2.1.2.2 USB Power Delivery Sink Capabilities

The UFP Source port is the only DRP port that may connect as a DFP or UFP which means that it should have at least one sink capability when connected as a UFP. The DFP ports can only connect as a DFP, where they do not have any sink capabilities.

**表 9-3. Sink Capabilities**

PORT	PDO TYPES	VOLTAGE	CURRENT
Port A	Fixed	5 V	0 A

### 9.2.1.2.3 Supported Data Modes

USB4 Hub Controllers may vary on the data supported on the UFP and DFP ports. In this specific example the USB4 Hub Controllers support USB3, DisplayPort, Thunderbolt, and USB4 on the UFP Port. The DFP Ports will also support these modes when connected to other Type-C & PD devices.

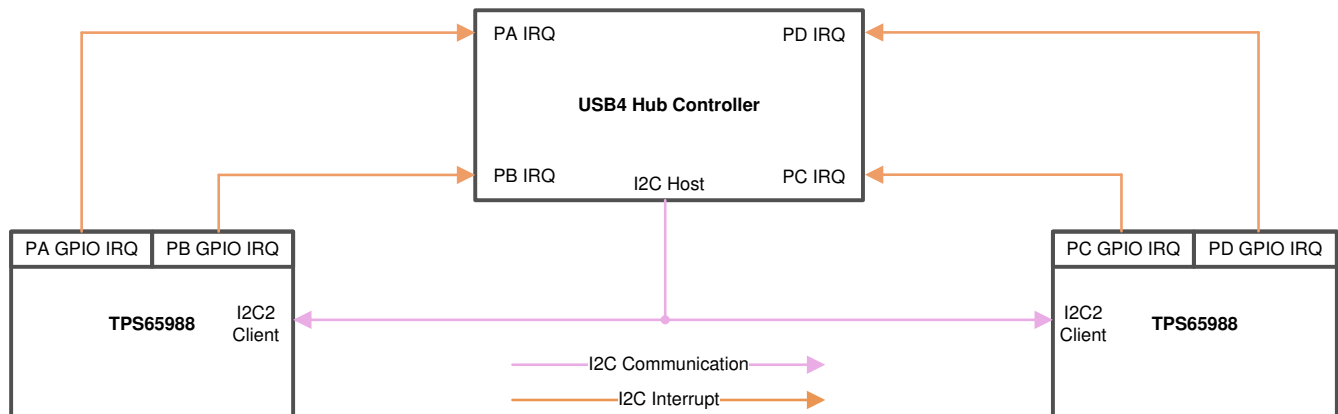
**表 9-4. Data Modes**

MODE OF OPERATION	DATA	DATA ROLE
USB Data	USB3.1 Gen2	UFP: Device, DFP: Host
DisplayPort	DP Video	UFP: UFP_D, DFP: DFP_D
Thunderbolt	PCIe/DP Video	UFP: Host/Device, DFP: Host
USB4	Tunneled USB3/PCIe/DP	UFP: Device, DFP Host

### 9.2.1.2.4 USB4 Hub Controller & PD Controller I2C Communication

The I2C connection from the PD controllers and the USB4 Hub Controller communicates the connection present at the Type-C Ports. Each port on the USB4 controller may have its I2C interrupt pin to notify the USB4 Hub Controller which port has a new connection. The PD controllers have an option to use the shared interrupt for both ports or to have a separate interrupt for each port that is mapped to a GPIO in its configuration. In the shared interrupt case, the USB4 Hub Controller will query both port addresses and will determine which port has a data connection. For the dedicated interrupt the USB4 hub controller will only query the specific port address and determine the connection present.

☒ 9-2 shows the dedicated GPIO interrupt connection.



**☒ 9-2. Dedicated Interrupts for USB4 Hub**

☒ 9-3 shows the shared interrupt connection on I2C2\_IRQ.

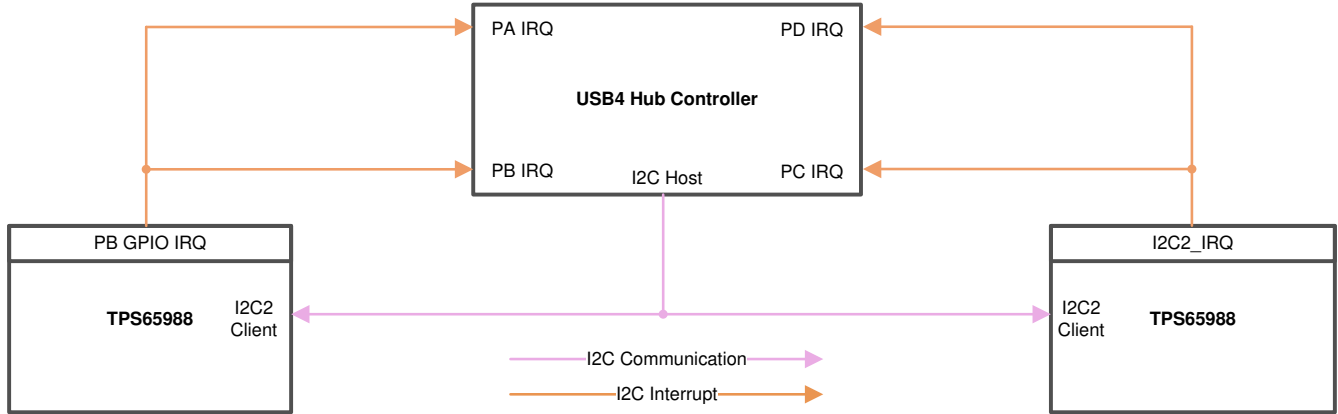


图 9-3. Shared Interrupts for USB4 Hub

表 9-5 shows an example of the port I2C addresses for each of the PD controller ports.

表 9-5. Recommended I2C Addresses - Hub Controller

PORT	I2C ADDRESS
Port A	0x38
Port B	0x3F
Port C	0x48
Port D	0x4F

#### 9.2.1.2.5 Dock Management Controller & PD Controller I2C Communication

The I2C connection from the PD controllers and the Dock Management Controller communicates to boot up the PD controllers and enable the Connection & Power Manager functions. The DMC has two GPIO dedicated for Port A/B and Port C/D interrupts. The shared interrupt connection to the Dock Management Controller will query both port addresses and will determine which port has been updated.

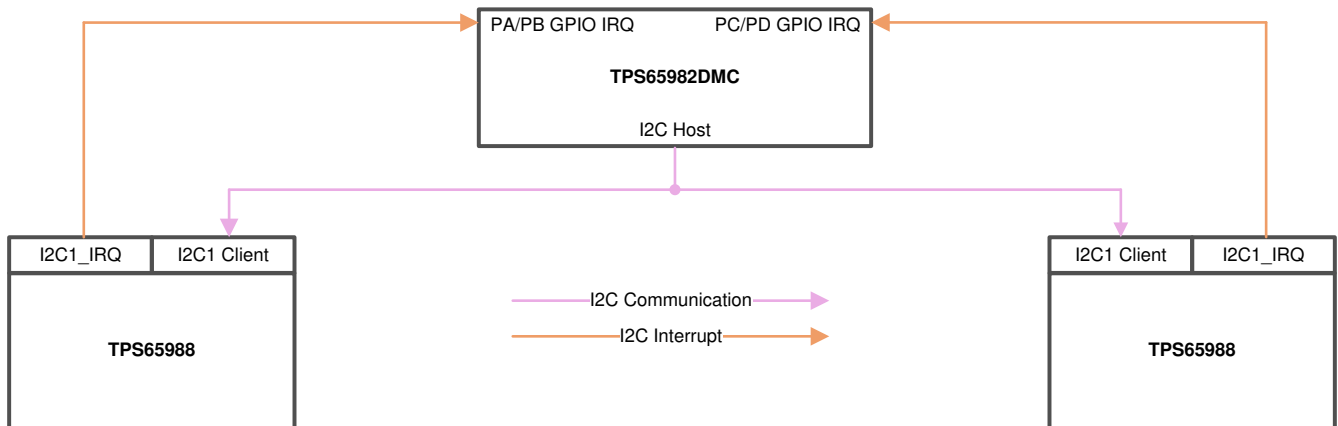


图 9-4. Interrupt Configuration for DMC

表 9-6 shows an example of the port I2C address for each of the PD controller ports.

表 9-6. Recommended I2C Addresses - DMC

PORT	I2C ADDRESS
Port A	0x20
Port B	0x24

**表 9-6. Recommended I2C Addresses - DMC (continued)**

PORT	I2C ADDRESS
Port C	0x21
Port D	0x25

**9.2.1.2.6 SPI Flash Options**

The TPS65982DMC is connected to the SPI Flash which contains the firmware for the DMC and the PD controllers connected. [表 9-7](#) shows the supported SPI flash options.

**表 9-7. SPI Flash Options**

MANUFACTURER	PART NUMBER	SIZE
Winbond	W25Q80JVNIQ	8 Mb
Spansion	S25FL208K	8 Mb
AMIC	A25L080	8 Mb
Macronix	MX25L8006EM1I	8 Mb
Micron	M25PE80-VMN6TP	8 Mb
Micron	M25PX80-VMN6TP	8 Mb

## 10 Power Supply Recommendations

### 10.1 3.3-V Power

#### 10.1.1 VIN\_3V3 Input Switch

The VIN\_3V3 input is the main supply to the TPS65987DDK device. The VIN\_3V3 switch (see [Figure 8-9](#)) is a unidirectional switch from VIN\_3V3 to LDO\_3V3, not allowing current to flow backwards from LDO\_3V3 to VIN\_3V3. This switch is on when 3.3 V is available. See [Table 10-1](#) for the recommended external capacitance on the VIN\_3V3 pin.

#### 10.1.2 VBUS 3.3-V LDO

The 3.3-V LDO from VBUS steps down voltage from VBUS to LDO\_3V3 which allows the TPS65987DDK device to be powered from VBUS when VIN\_3V3 is unavailable. This LDO steps down any recommended voltage on the VBUS pin. When VBUS is 20 V, as is allowable by USB PD, the internal circuitry of the TPS65987DDK device operates without triggering thermal shutdown; however, a significant external load on the LDO\_3V3 pin can increase the temperature enough to trigger a thermal shutdown. The VBUS 3.3-V LDO blocks reverse current from LDO\_3V3 back to VBUS allowing VBUS to be unpowered when LDO\_3V3 is driven from another source. See [Table 10-1](#) for the recommended external capacitance on the VBUS and LDO\_3V3 pins.

### 10.2 1.8-V Power

The internal circuitry is powered from 1.8 V. The 1.8-V LDO steps the voltage down from LDO\_3V3 to 1.8 V. The 1.8-V LDO provides power to all internal low-voltage digital circuits which includes the digital core, memory and other digital circuits. The 1.8-V LDO also provides power to all internal low-voltage analog circuits. See [Table 10-1](#) for the recommended external capacitance on the LDO\_1V8 pin.

### 10.3 Recommended Supply Load Capacitance

[Table 10-1](#) lists the recommended board capacitances for the various supplies. The typical capacitance is the nominally rated capacitance that must be placed on the board as close to the pin as possible. The maximum capacitance must not be exceeded on pins for which it is specified. The minimum capacitance is minimum capacitance allowing for tolerances and voltage derating ensuring proper operation.

**表 10-1. Recommended Supply Load Capacitance**

PARAMETER	DESCRIPTION	VOLTAGE RATING	CAPACITANCE		
			MIN (ABSOLUTE)	TYP (PLACED)	MAX (ABSOLUTE)
CVIN_3V3	Capacitance on VIN_3V3	6.3 V	5 $\mu$ F	10 $\mu$ F	
CLDO_3V3	Capacitance on LDO_3V3	6.3 V	5 $\mu$ F	10 $\mu$ F	25 $\mu$ F
CLDO_1V8	Capacitance on LDO_1V8	4 V	2.2 $\mu$ F	4.7 $\mu$ F	12 $\mu$ F
CVBUS1	Capacitance on VBUS1	25 V	0.5 $\mu$ F	1 $\mu$ F	12 $\mu$ F
CVBUS2	Capacitance on VBUS2	25 V	0.5 $\mu$ F	1 $\mu$ F	12 $\mu$ F
CPP_HV_SRC	Capacitance on PP_HV when configured as a 5-V source	10 V	2.5 $\mu$ F	4.7 $\mu$ F	
CPP_HV_SNK	Capacitance on PP_HV when configured as a 20-V sink	25 V	1 $\mu$ F	47 $\mu$ F	120 $\mu$ F
CPP_CABLE	Capacitance on PP_CABLE. When shorted to PP_HV configured as a 5-V source, the CPP_HV_SRC capacitance may be shared.	10 V	2.5 $\mu$ F	4.7 $\mu$ F	

## 11 Layout

### 11.1 Layout Guidelines

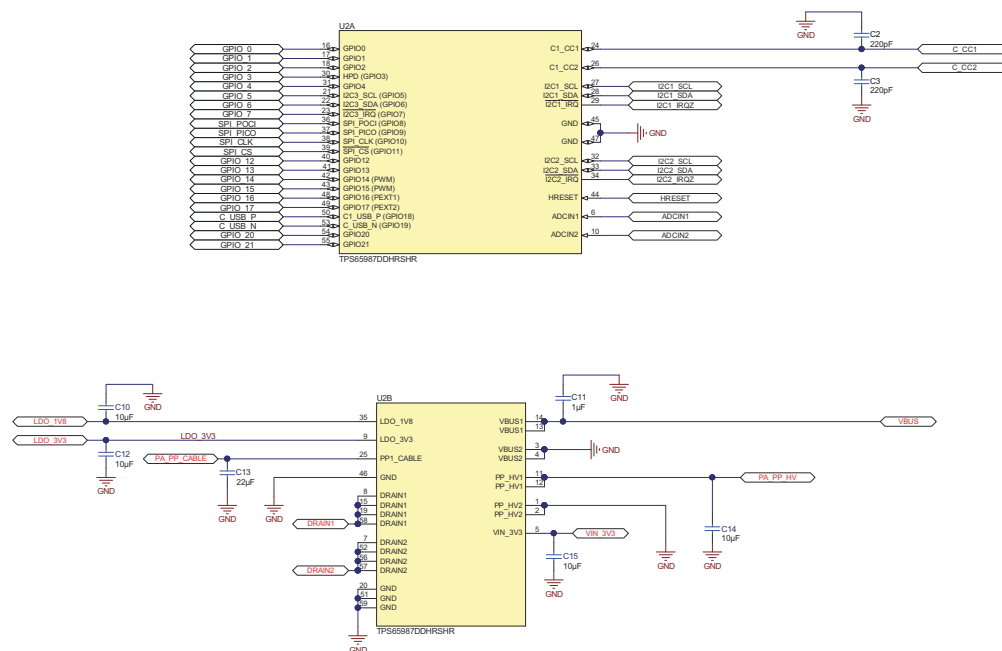
Proper routing and placement will maintain signal integrity for high speed signals and improve the heat dissipation from the TPS65987DDK power paths. The combination of power and high speed data signals are easily routed if the following guidelines are followed. It is a best practice to consult with board manufacturing to verify manufacturing capabilities.

#### 11.1.1 Top TPS65987DDK Placement and Bottom Component Placement and Layout

When the TPS65987DDK is placed on top and its components on bottom the solution size will be at its smallest.

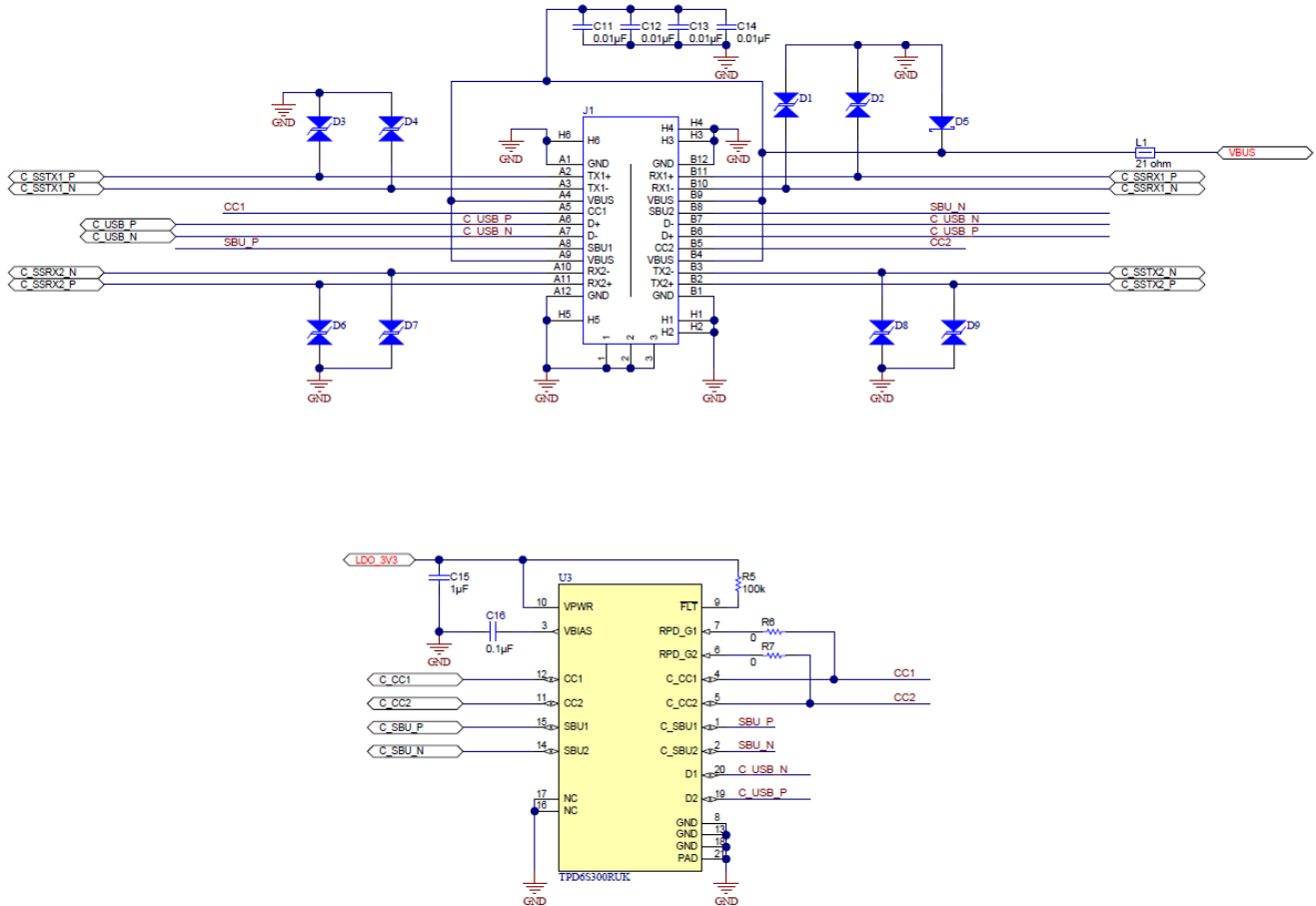
### 11.2 Layout Example

Follow the differential impedances for Super and High Speed signals defined by their specifications (DisplayPort - AUXN/P and USB2.0). All I/O will be fanned out to provide an example for routing out all pins, not all designs will use all of the I/O on the TPS65987DDK.



**11-1. Example Schematic**





Copyright © 2017, Texas Instruments Incorporated

Figure 11-2. Example Schematic2

### 11.3 Component Placement

Top and bottom placement is used for this example to minimize solution size. The TPS65987DDK is placed on the top side of the board and the majority of its components are placed on the bottom side. When placing the components on the bottom side, it is recommended that they are placed directly under the TPS65987DDK. When placing the VBUS and PPHV capacitors it is easiest to place them with the GND terminal of the capacitors to face outward from the TPS65987DDK or to the side since the drain connection pads on the bottom layer should not be connected to anything and left floating. All other components that are for pins on the GND pad side of the TPS65987DDK should be placed where the GND terminal is underneath the GND pad.

The CC capacitors must be placed on the same side as the TPS65987DDK close to the respective CC1 and CC2 pins. Do NOT via to another layer in between the CC pins to the CC capacitor, placing a via after the CC capacitor is recommended.

The ADCIN1/2 voltage divider resistors can be placed where convenient. In this layout example they are placed on the opposite layer of the TPS65987DDK close to the LDO\_3V3 pin to simplify routing.

The figures below show the placement in 2-D and 3-D.

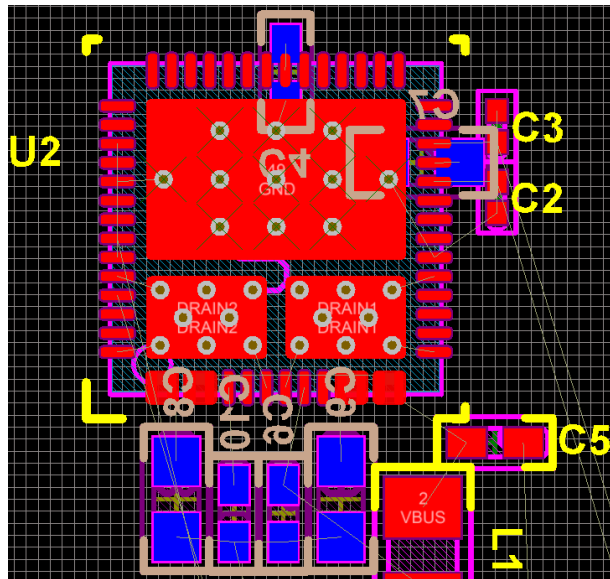


图 11-3. Top View Layout

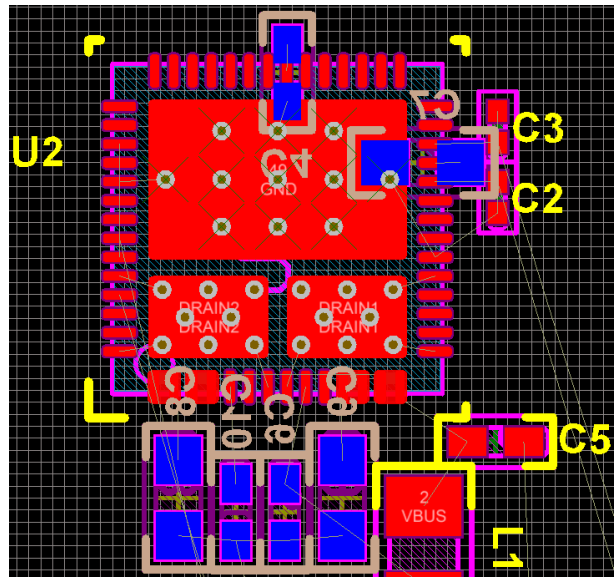


图 11-4. Bottom View Layout

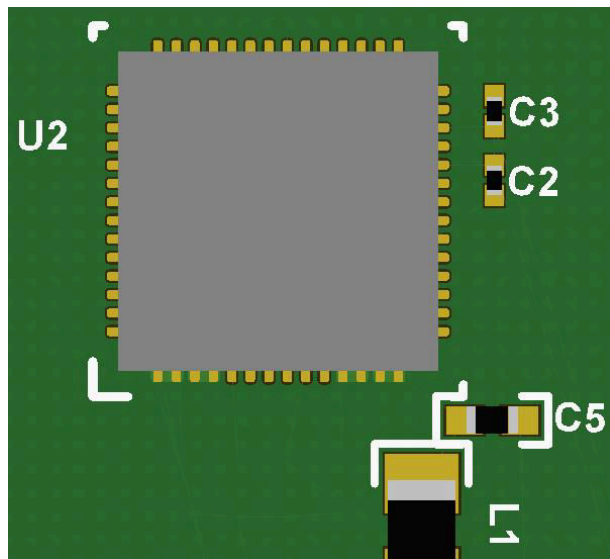


图 11-5. Top View 3-D

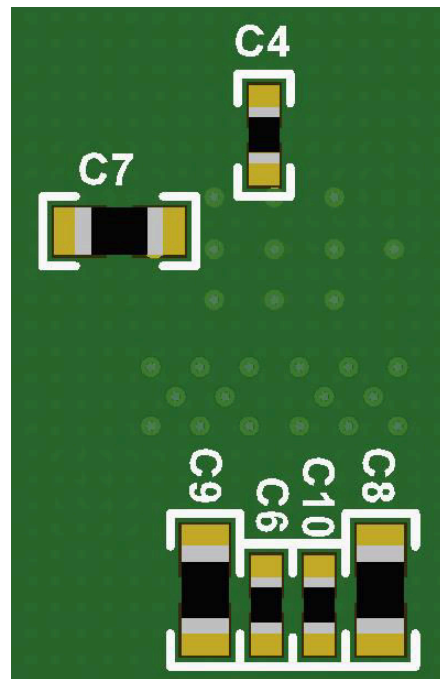


图 11-6. Bottom View 3-D

### 11.4 Routing PP\_HV1/2, VBUS, PP\_CABLE, VIN\_3V3, LDO\_3V3, LDO\_1V8

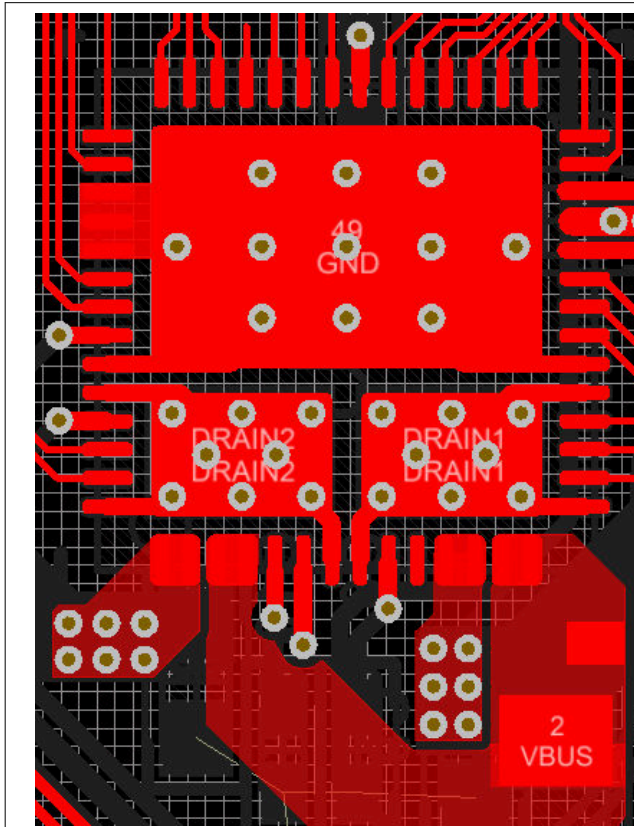
On the top side, create pours for PP\_HV1/2 and VBUS1/2 to extend area to place 8-mil hole and 16-mil diameter vias to connect to the bottom layer. See the figure below for the recommended via sizing.



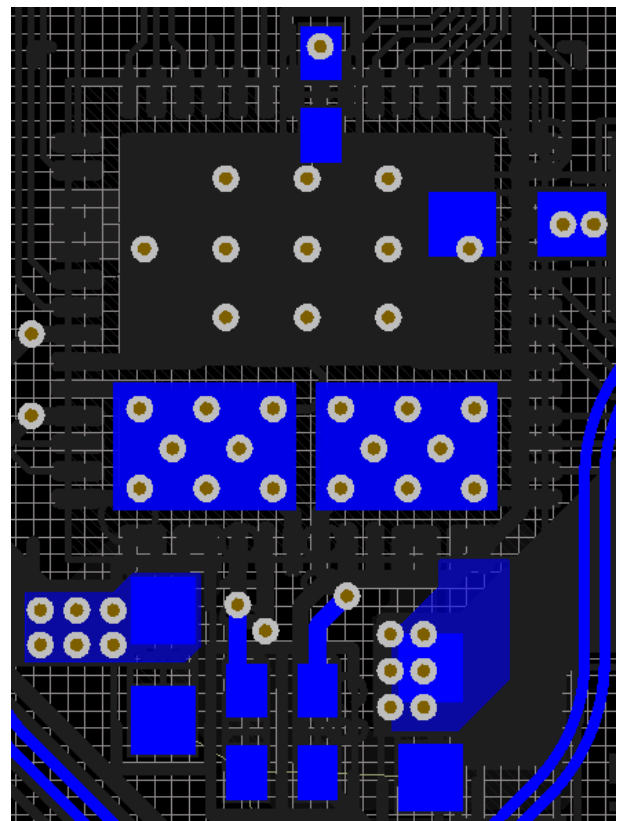
图 11-7. Recommended Minimum Via Sizing

A minimum of four vias should be used to connect between the top and bottom layer power paths. For the bottom layer, place pours that will connect the PP\_HV1/2 and VBUS capacitors to their respective vias. For 5-A systems, special consideration must be taken for ensuring enough copper is used to handle the higher current. For 0.5-oz copper, top or bottom pours, with 0.5-oz plating will require about 120-mil pour width for 5-A support. When routing the 5 A through a 0.5-oz internal layer, more than 200 mil will be required to carry the current.

The figures below show the pours used in this example.



✎ 11-8. Top Polygon Pours



✎ 11-9. Bottom Polygon Pours

For PP\_CABLE, it is recommended to connect the capacitor to the pin with two vias. They should be placed side by side and as close to the pin as possible to allow for routing the CC lines.

Connect the bottom side VIN\_3V3 and LDO\_3V3 capacitors with traces through a via. The vias should have a straight connection to the respective pins. LDO\_1V8 is connected through a via on the outside of the pin and connected with a trace on the bottom side capacitor.

### 11.5 Routing CC and GPIO

Routing the CC lines with a 8-mil trace will ensure the needed current for supporting powered Type-C cables through VCONN. For more information on VCONN refer to the Type-C specification. For capacitor GND pin use a 16-mil trace if possible.

Most of the GPIO signals can be fanned out on the top layer with a 4-mil trace. The PP\_EXT1/2 GPIO control go through a via to be routed on another layer.

✎ 11-10 below shows the CC and GPIO routing.

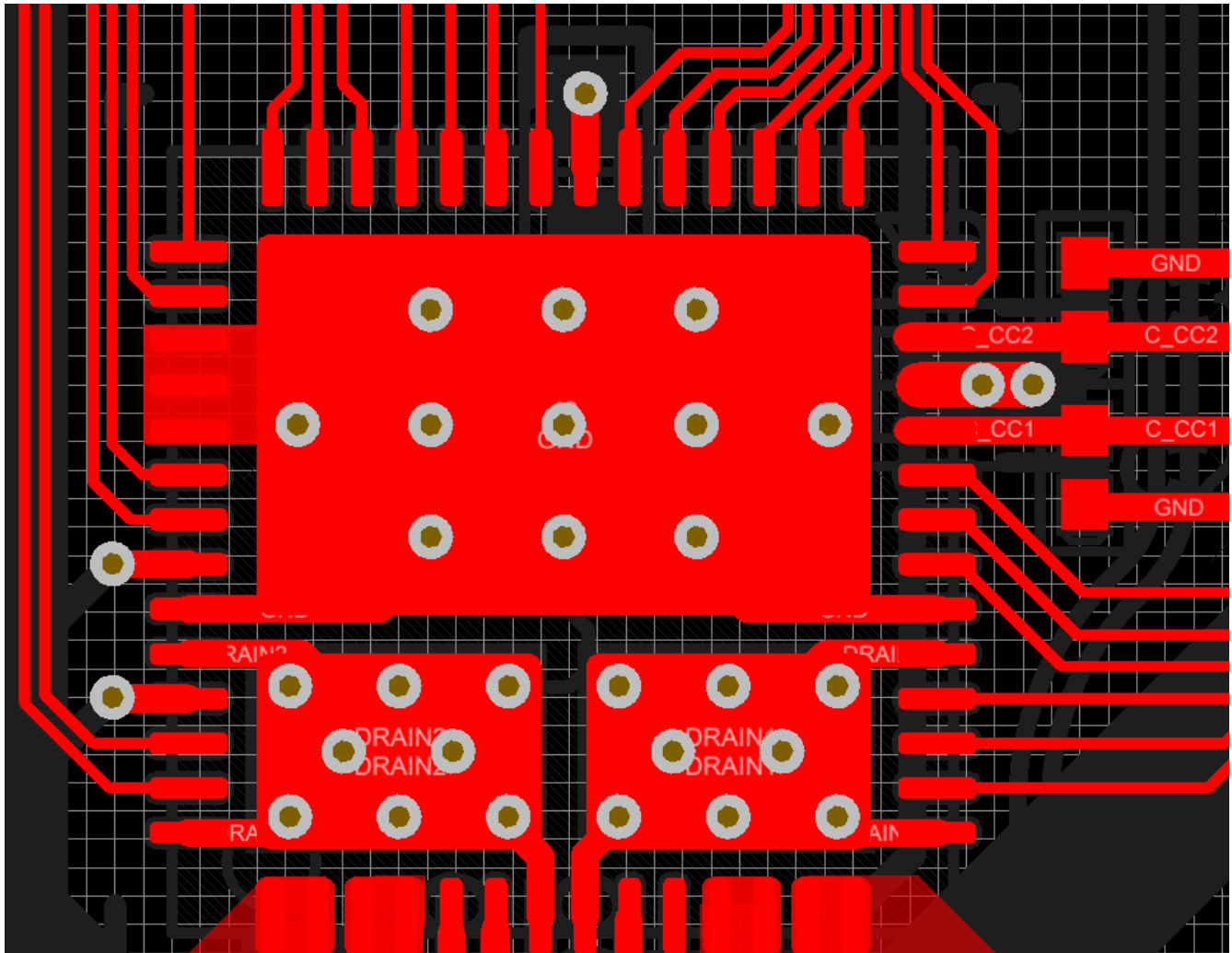


图 11-10. CC Routing and GPIO Fan-Out

表 11-1. Routing Widths

ROUTE	WIDTH (mil minimum)
CC1, CC2, PP_CABLE1, PP_CABLE2	8
VIN_3V3, LDO_3V3, LDO_1V8	6
Component GND	10
GPIO	4

### 11.6 Thermal Dissipation for FET Drain Pads

The TPS65987DDK contains two internal FETs. To assist with thermal dissipation of these FETs, the drains of the FETs are connected to two metal pads underneath the IC. When completing a board layout for the TPS65987DDK, it is important to provide copper pours on the top and bottom layer of the PCB for the thermal pads of each FET.

When looking at the footprint for the TPS65987DDK, pins 57 and 58 are two smaller pads underneath the device. These are the drain pads for the two internal FETs. The dimensions are 1.75 mil x 2.6 mil and 1.75 mil x 2.55 mil for pins 57 and 58 respectively. Each of these FET pads should contain a minimum of six thermal vias through the PCB. This layout example contains 8 thermal vias through the PCB. On the bottom side of the PCB, the 1.75 mil x 2.6 mil and 1.75 mil x 2.55 mil thermal pads are mirrored to assist with thermal dissipation.

The figures below show the copper fills for the FET Drain pads.

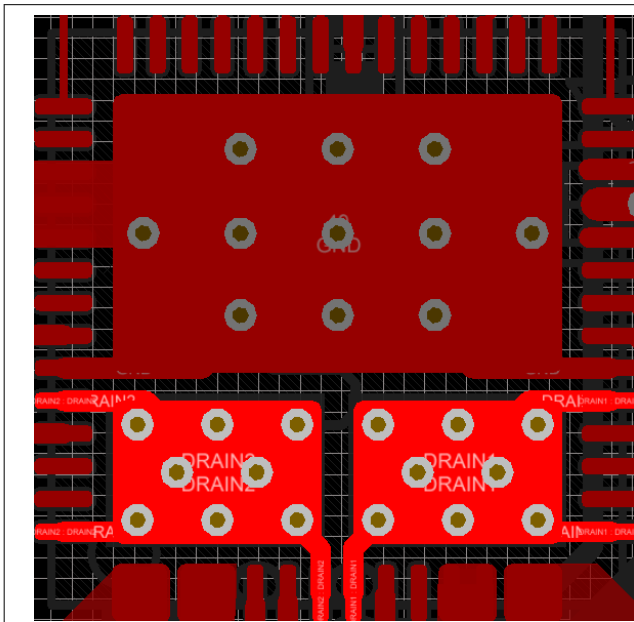


Figure 11-11. Top Layer FET Pads

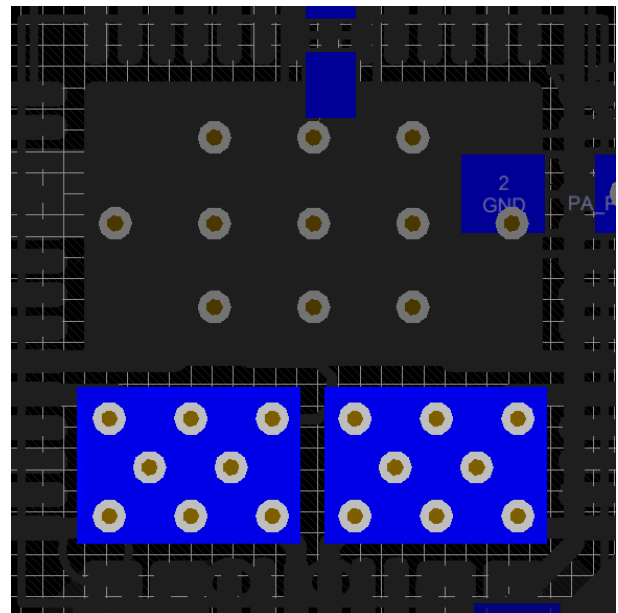


Figure 11-12. Bottom Layer FET Pads

As seen in the figures above, it is recommended to connect the Drain pins to their respective Drain pads underneath the IC. This will help with thermal dissipation by moving some of the heat away from the device. To further assist with thermal dissipation, it is possible to add copper fins on the top layer for both of the FET Drain Pads. When calculating the relative thermal dissipation, the first 3 mm of copper away from the device contribute largely to the thermal performance. Once the copper expands beyond 3 mm from the IC, there are diminishing returns in thermal performance.

Figure 11-13 highlights an example with copper fins to improve thermal dissipation.

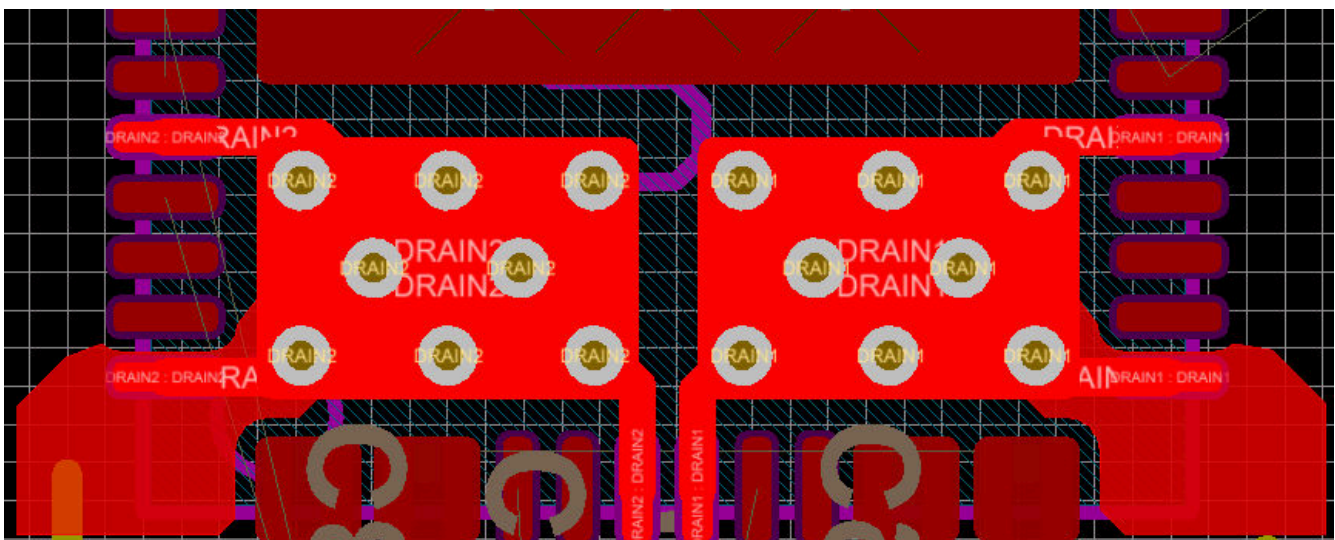
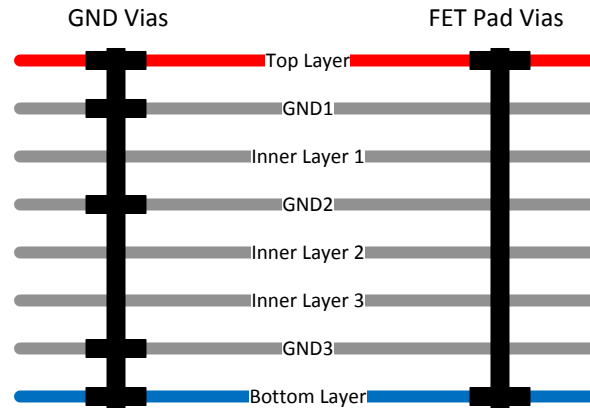


Figure 11-13. Copper Fins on Drain Pad

The thermal via under each of the FET Drain Pads should be filled. Filling the vias will greatly improve the thermal dissipation on the FETs as there is significantly more copper that is connecting the top layer pad to the bottom layer copper. Alternatively, the vias can be epoxy filled but they will have higher thermal resistance. Each

8-/16-mil to 10-/20-mil via could have a thermal resistance ranging from 175°C/W to 200°C/W with board manufacturing variation. When doing thermal calculations it is recommended to use the worst case 200°C/W which will give a set of six vias a thermal resistance of approximately 33°C/W from the top to bottom pad. The vias in the FET pads should only be connected to copper pads on the top and bottom layers of the PCB. These should not be connected to GND. Refer to the image below to see which layers should be connected for the GND vias and FET Pad vias.

☒ 11-7 shows a common stack-up for systems that require Super Speed and high power routing.



☒ 11-14. PCB Stack-Up

## 12 Device and Documentation Support

### 12.1 Device Support

#### 12.1.1 Firmware Warranty Disclaimer

IN ORDER FOR THE TPS6598X DEVICE TO FUNCTION IN ACCORDANCE WITH THIS SPECIFICATIONS, YOU WILL NEED TO DOWNLOAD THE LATEST VERSION OF THE FIRMWARE FOR THE DEVICE. IF YOU DO NOT DOWNLOAD AND INCORPORATE THE LATEST VERSION OF THE FIRMWARE INTO THE DEVICE, THEN THE DEVICE IS PROVIDED “AS IS” AND TI MAKES NO WARRANTY OR REPRESENTATION WHATSOEVER IN RESPECT OF SUCH DEVICE, AND DISCLAIMS ANY AND ALL WARRANTIES AND REPRESENTATIONS WITH RESPECT TO SUCH DEVICE. FURTHER, IF YOU DO NOT DOWNLOAD AND INCORPORATE THE LATEST VERSION OF THE FIRMWARE INTO THE DEVICE, TI WILL NOT BE LIABLE FOR AND SPECIFICALLY DISCLAIMS ANY DAMAGES, INCLUDING DIRECT DAMAGES, HOWEVER CAUSED, WHETHER ARISING UNDER CONTRACT, TORT, NEGLIGENCE, OR OTHER THEORY OF LIABILITY RELATING TO THE DEVICE, EVEN IF TI IS ADVISED OF THE POSSIBILITY OF SUCH DAMAGES.

### 12.2 Documentation Support

#### 12.2.1 Related Documentation

- [TUSB1064 USB TYPE-C™ DP Alt Mode 10 Gbps Sink-Side Linear Redriver Crosspoint Switch](#) data sheet

### 12.3 サポート・リソース

[TI E2E™ サポート・フォーラム](#)は、エンジニアが検証済みの回答と設計に関するヒントをエキスパートから迅速かつ直接得ることができる場所です。既存の回答を検索したり、独自の質問をしたりすることで、設計に必要な支援を迅速に得ることができます。

リンクされているコンテンツは、該当する貢献者により、現状のまま提供されるものです。これらは TI の仕様を構成するものではなく、必ずしも TI の見解を反映したものではありません。TI の[使用条件](#)を参照してください。

### 12.4 Trademarks

TI E2E™ is a trademark of Texas Instruments.

USB Type-C® is a registered trademark of USB Implementers Forum.

すべての商標は、それぞれの所有者に帰属します。

### 12.5 Electrostatic Discharge Caution



This integrated circuit can be damaged by ESD. Texas Instruments recommends that all integrated circuits be handled with appropriate precautions. Failure to observe proper handling and installation procedures can cause damage.

ESD damage can range from subtle performance degradation to complete device failure. Precision integrated circuits may be more susceptible to damage because very small parametric changes could cause the device not to meet its published specifications.

### 12.6 Glossary

[TI Glossary](#) This glossary lists and explains terms, acronyms, and definitions.

## 13 Mechanical, Packaging, and Orderable Information

The following pages include mechanical, packaging, and orderable information. This information is the most current data available for the designated devices. This data is subject to change without notice and revision of this document. For browser-based versions of this data sheet, refer to the left-hand navigation.

**PACKAGING INFORMATION**

Orderable Device	Status (1)	Package Type	Package Drawing	Pins	Package Qty	Eco Plan (2)	Lead finish/ Ball material (6)	MSL Peak Temp (3)	Op Temp (°C)	Device Marking (4/5)	Samples
TPS65987DDKRSHR	ACTIVE	VQFN	RSH	56	2500	RoHS & Green	NIPDAUAG	Level-3-260C-168 HR	-10 to 75	T65987D DK	<a href="#">Samples</a>

(1) The marketing status values are defined as follows:

**ACTIVE:** Product device recommended for new designs.

**LIFEBUY:** TI has announced that the device will be discontinued, and a lifetime-buy period is in effect.

**NRND:** Not recommended for new designs. Device is in production to support existing customers, but TI does not recommend using this part in a new design.

**PREVIEW:** Device has been announced but is not in production. Samples may or may not be available.

**OBsolete:** TI has discontinued the production of the device.

(2) **RoHS:** TI defines "RoHS" to mean semiconductor products that are compliant with the current EU RoHS requirements for all 10 RoHS substances, including the requirement that RoHS substance do not exceed 0.1% by weight in homogeneous materials. Where designed to be soldered at high temperatures, "RoHS" products are suitable for use in specified lead-free processes. TI may reference these types of products as "Pb-Free".

**RoHS Exempt:** TI defines "RoHS Exempt" to mean products that contain lead but are compliant with EU RoHS pursuant to a specific EU RoHS exemption.

**Green:** TI defines "Green" to mean the content of Chlorine (Cl) and Bromine (Br) based flame retardants meet JS709B low halogen requirements of <=1000ppm threshold. Antimony trioxide based flame retardants must also meet the <=1000ppm threshold requirement.

(3) MSL, Peak Temp. - The Moisture Sensitivity Level rating according to the JEDEC industry standard classifications, and peak solder temperature.

(4) There may be additional marking, which relates to the logo, the lot trace code information, or the environmental category on the device.

(5) Multiple Device Markings will be inside parentheses. Only one Device Marking contained in parentheses and separated by a "~" will appear on a device. If a line is indented then it is a continuation of the previous line and the two combined represent the entire Device Marking for that device.

(6) Lead finish/Ball material - Orderable Devices may have multiple material finish options. Finish options are separated by a vertical ruled line. Lead finish/Ball material values may wrap to two lines if the finish value exceeds the maximum column width.

**Important Information and Disclaimer:**The information provided on this page represents TI's knowledge and belief as of the date that it is provided. TI bases its knowledge and belief on information provided by third parties, and makes no representation or warranty as to the accuracy of such information. Efforts are underway to better integrate information from third parties. TI has taken and continues to take reasonable steps to provide representative and accurate information but may not have conducted destructive testing or chemical analysis on incoming materials and chemicals. TI and TI suppliers consider certain information to be proprietary, and thus CAS numbers and other limited information may not be available for release.

In no event shall TI's liability arising out of such information exceed the total purchase price of the TI part(s) at issue in this document sold by TI to Customer on an annual basis.



**TAPE AND REEL INFORMATION**

**QUADRANT ASSIGNMENTS FOR PIN 1 ORIENTATION IN TAPE**


\*All dimensions are nominal

Device	Package Type	Package Drawing	Pins	SPQ	Reel Diameter (mm)	Reel Width W1 (mm)	A0 (mm)	B0 (mm)	K0 (mm)	P1 (mm)	W (mm)	Pin1 Quadrant
TPS65987DDKRSHR	VQFN	RSH	56	2500	330.0	16.4	7.3	7.3	1.1	12.0	16.0	Q2

**TAPE AND REEL BOX DIMENSIONS**


\*All dimensions are nominal

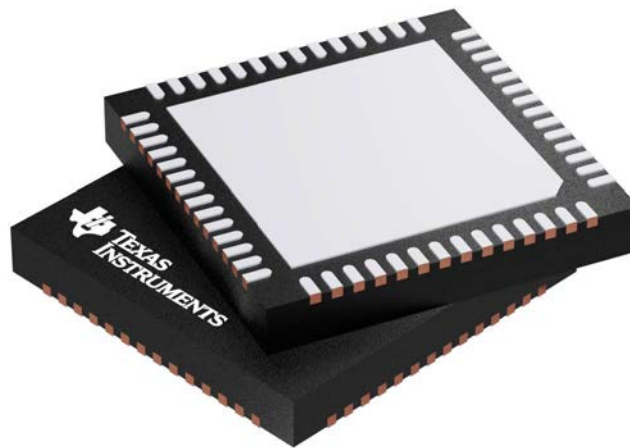
Device	Package Type	Package Drawing	Pins	SPQ	Length (mm)	Width (mm)	Height (mm)
TPS65987DDKRSHR	VQFN	RSH	56	2500	367.0	367.0	38.0

**RSH 56**

**GENERIC PACKAGE VIEW**

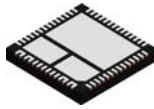
**VQFN - 1 mm max height**

PLASTIC QUAD FLATPACK - NO LEAD



Images above are just a representation of the package family, actual package may vary.  
Refer to the product data sheet for package details.

4207513/D

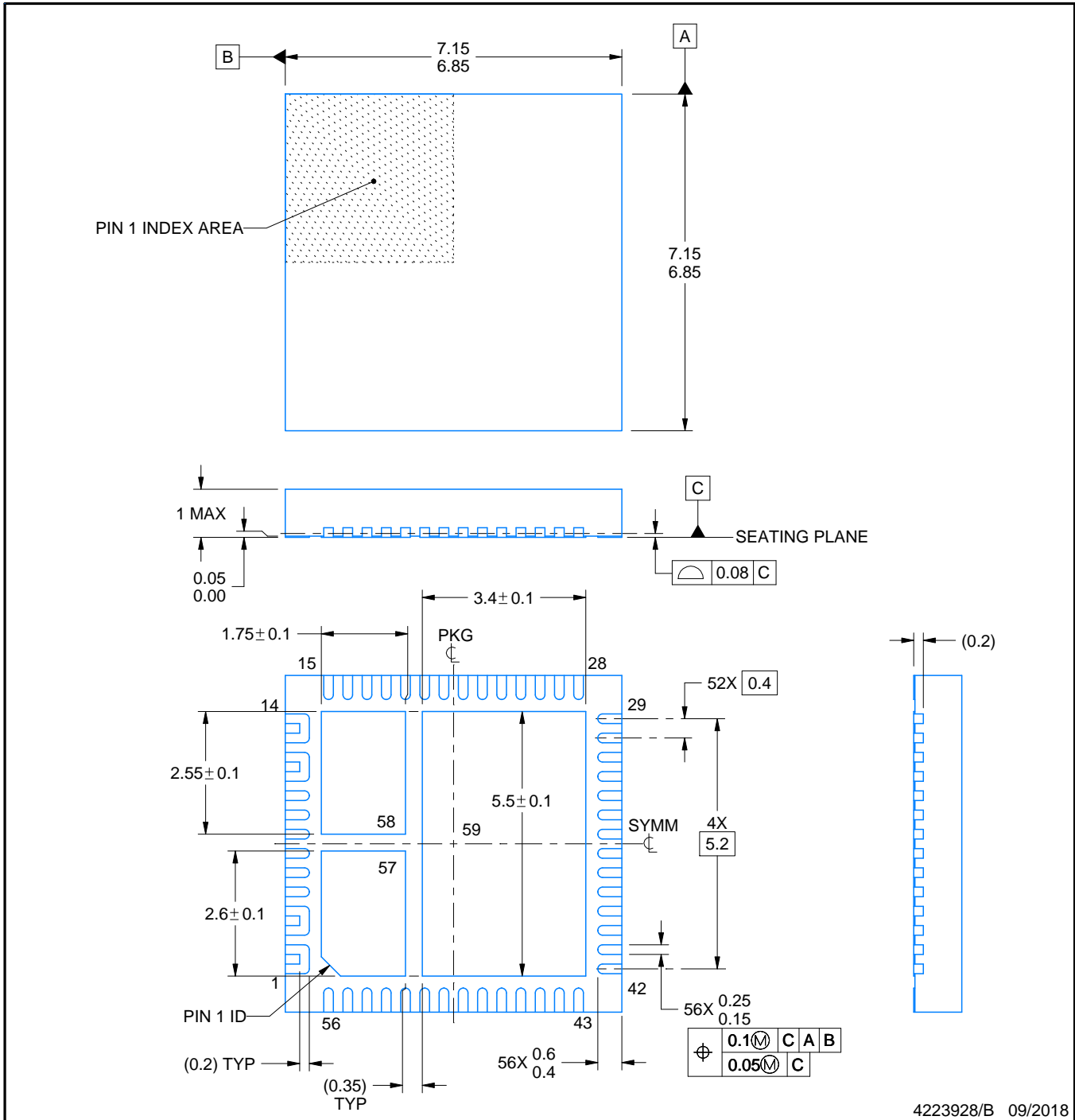


# RSH0056E

# PACKAGE OUTLINE

## VQFN - 1 mm max height

PLASTIC QUAD FLATPACK - NO LEAD



### NOTES:

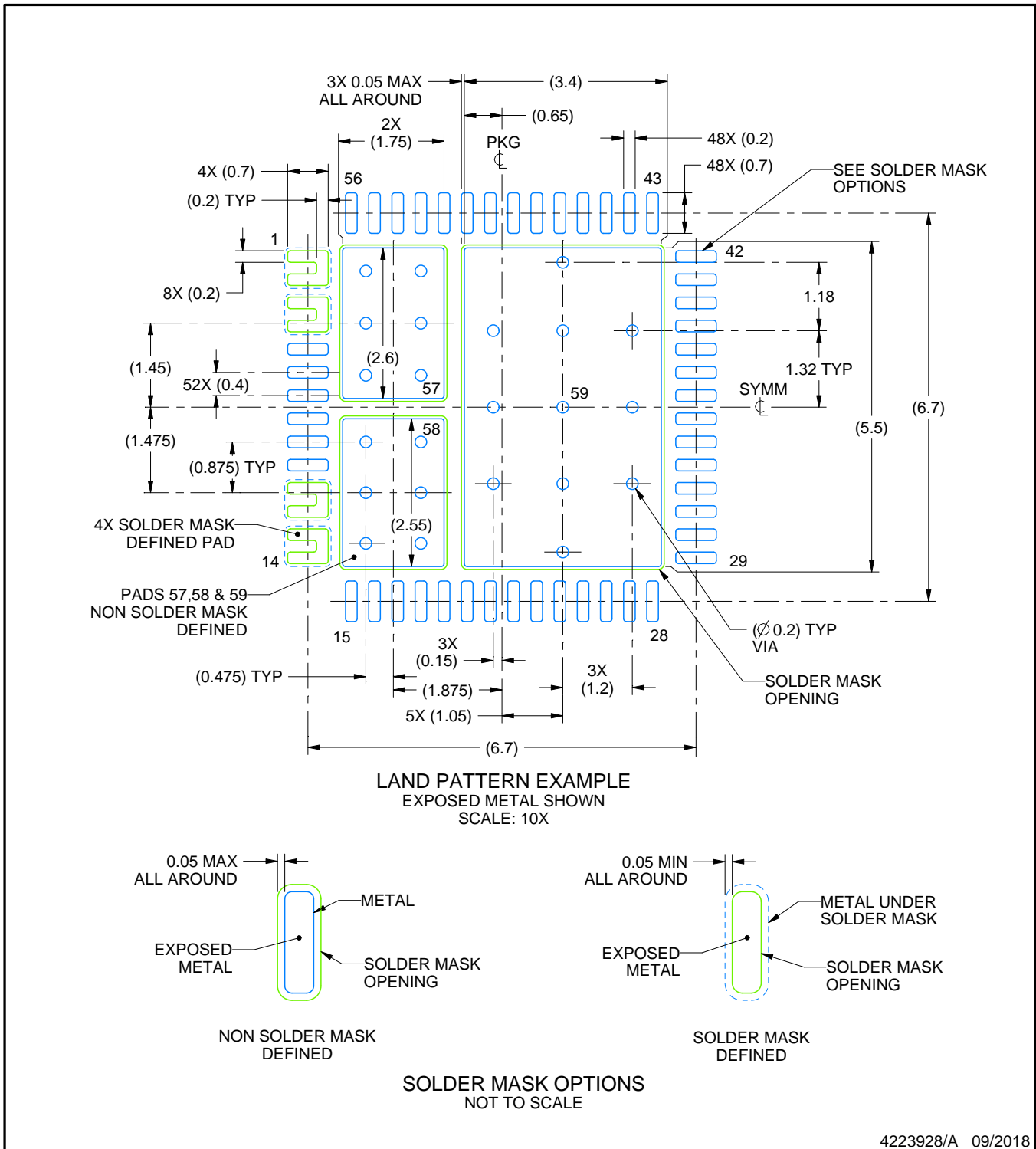
1. All linear dimensions are in millimeters. Any dimensions in parenthesis are for reference only. Dimensioning and tolerancing per ASME Y14.5M.
2. This drawing is subject to change without notice.
3. The package thermal pad must be soldered to the printed circuit board for thermal and mechanical performance.

# EXAMPLE BOARD LAYOUT

RSH0056E

VQFN - 1 mm max height

PLASTIC QUAD FLATPACK - NO LEAD



4223928/A 09/2018

NOTES: (continued)

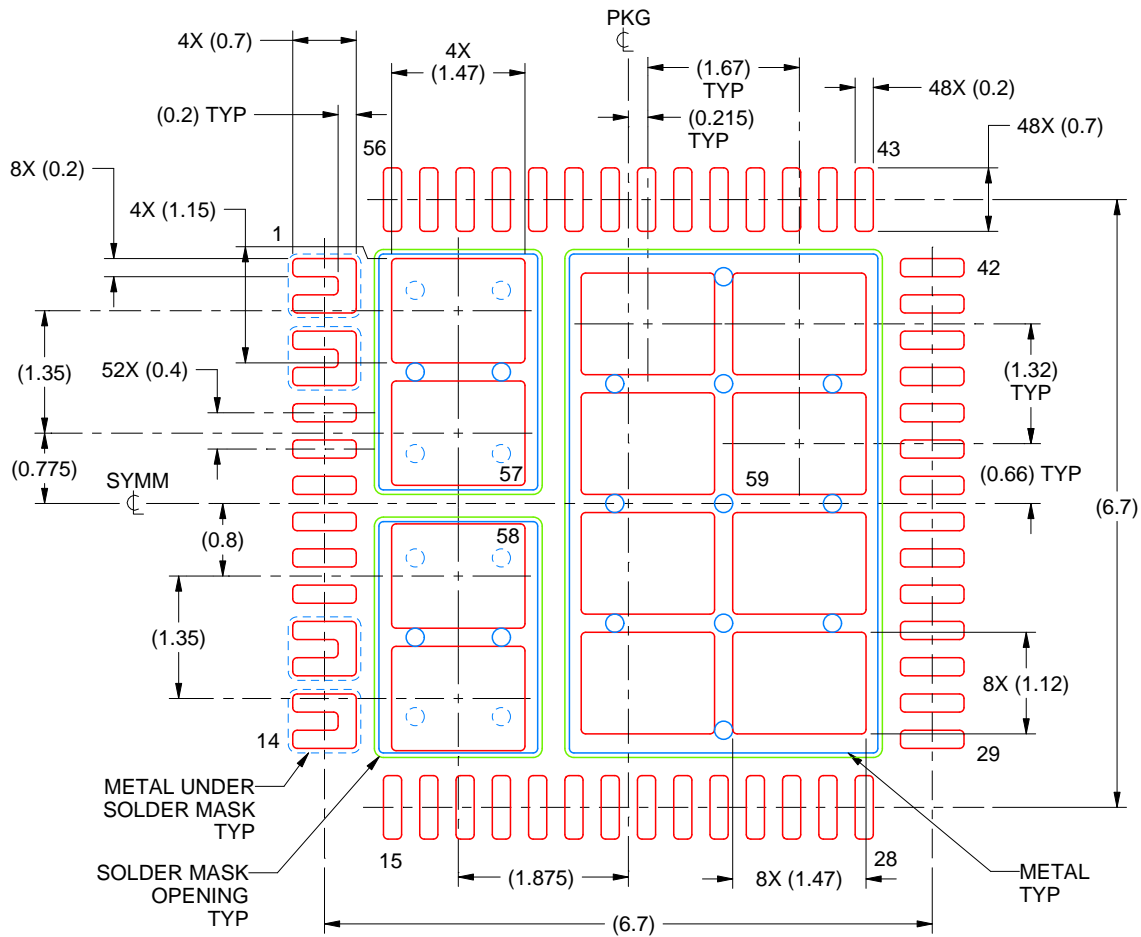
- This package is designed to be soldered to a thermal pad on the board. For more information, refer to QFN/SON PCB application note in literature No. SLUA271 ([www.ti.com/lit/slua271](http://www.ti.com/lit/slua271)).
- Vias are optional depending on application, refer to device data sheet. If any vias are implemented, refer to their locations shown on this view. It is recommended that vias under paste be filled, plugged or tented.

# EXAMPLE STENCIL DESIGN

RSH0056E

VQFN - 1 mm max height

PLASTIC QUAD FLATPACK - NO LEAD



SOLDER PASTE EXAMPLE  
BASED ON 0.1 MM THICK STENCIL

EXPOSED PAD PRINTED SOLDER COVERAGE BY AREA  
PAD 57 & 58: 75%  
PAD 59: 70%  
SCALE: 12X

4223928/B 09/2018

NOTES: (continued)

6. Laser cutting apertures with trapezoidal walls and rounded corners may offer better paste release. IPC-7525 may have alternate design recommendations.

## 重要なお知らせと免責事項

テキサス・インスツルメンツは、技術データと信頼性データ(データシートを含みます)、設計リソース(リファレンス デザインを含みます)、アプリケーションや設計に関する各種アドバイス、Web ツール、安全性情報、その他のリソースを、欠陥が存在する可能性のある「現状のまま」提供しており、商品性および特定目的に対する適合性の黙示保証、第三者の知的財産権の非侵害保証を含むいかなる保証も、明示的または黙示的にかかわらず拒否します。

これらのリソースは、テキサス・インスツルメンツ製品を使用する設計の経験を積んだ開発者への提供を意図したものです。(1) お客様のアプリケーションに適したテキサス・インスツルメンツ製品の選定、(2) お客様のアプリケーションの設計、検証、試験、(3) お客様のアプリケーションに該当する各種規格や、その他のあらゆる安全性、セキュリティ、規制、または他の要件への確実な適合に関する責任を、お客様のみが単独で負うものとし、ます。

上記の各種リソースは、予告なく変更される可能性があります。これらのリソースは、リソースで説明されているテキサス・インスツルメンツ製品を使用するアプリケーションの開発の目的でのみ、テキサス・インスツルメンツはその使用をお客様に許諾します。これらのリソースに関して、他の目的で複製することや掲載することは禁止されています。テキサス・インスツルメンツや第三者の知的財産権のライセンスが付与されている訳ではありません。お客様は、これらのリソースを自身で使用した結果発生するあらゆる申し立て、損害、費用、損失、責任について、テキサス・インスツルメンツおよびその代理人を完全に補償するものとし、テキサス・インスツルメンツは一切の責任を拒否します。

テキサス・インスツルメンツの製品は、[テキサス・インスツルメンツの販売条件](#)、または [ti.com](https://www.ti.com) やかかるテキサス・インスツルメンツ製品の関連資料などのいずれかを通じて提供する適用可能な条項の下で提供されています。テキサス・インスツルメンツがこれらのリソースを提供することは、適用されるテキサス・インスツルメンツの保証または他の保証の放棄の拡大や変更を意味するものではありません。

お客様がいかなる追加条項または代替条項を提案した場合でも、テキサス・インスツルメンツはそれらに異議を唱え、拒否します。

郵送先住所：Texas Instruments, Post Office Box 655303, Dallas, Texas 75265  
Copyright © 2025, Texas Instruments Incorporated