

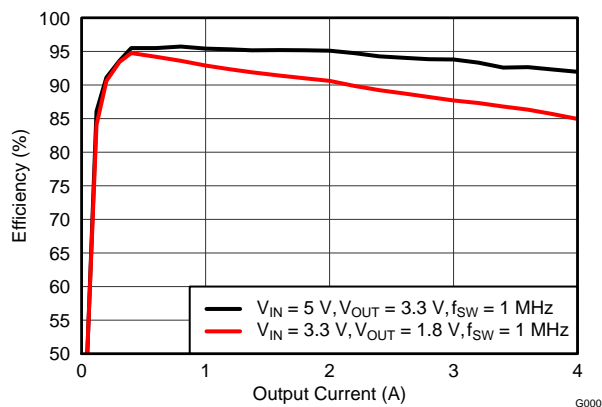
# TPS84410 2.95V~6V入力、4A同期整流降圧、統合型電源ソリューション

## 1 特長

- 小さな占有面積で低プロファイルの設計を可能にする完全な統合電源ソリューション
- 最高96%の効率
- 出力電圧を0.8V~3.6Vの広い範囲で設定可能、リファレンス精度±1%
- 可変スイッチング周波数(500kHz~2MHz)
- 外部クロックに同期
- 調整可能なスロー・スタート
- 出力電圧シーケンシング/トラッキング
- パワー・グッド出力
- 低電圧誤動作防止(UVLO)をプログラム可能
- 出力過電流保護
- 過熱保護機能
- 動作温度範囲: -40°C~85°C
- 強化された熱特性: 12°C/W
- EN55022 Class Bの放射規格に準拠

## 2 アプリケーション

- ブロードバンドおよび通信インフラストラクチャ
- 自動試験機器/医療用機器
- Compact PCI、PCI Express、PXI Express
- DSPおよびFPGAのポイント・オブ・ロード・アプリケーション
- 高密度分散電源システム



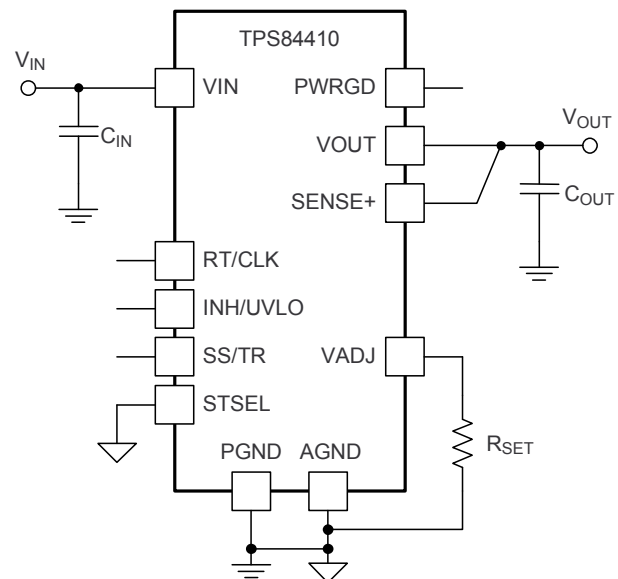
## 3 概要

TPS84410RKGは、4AのDC/DCコンバータをパワーMOSFET、インダクタ、およびパッシブ部品とともに低プロファイルのBQFNパッケージに実装した、使いやすい集積電源ソリューションです。外部部品は3個しか使用せず、ループ補償や磁気部品の選択プロセスも不要になります。

9x11x2.8mmのBQFNパッケージはプリント基板にハンダ付けしやすく、小型のポイント・オブ・ロード設計で、90%を超える効率、優れた消費電力、接合部から周囲へ12°C/Wの熱インピーダンスを実現できます。このデバイスは、周囲温度85°Cにおいて無気流でも、4Aの定格出力電流を完全に供給できます。

TPS84410は、ディスクリートPOL設計と同等の柔軟性および機能セットを備え、高性能DSPおよびFPGAへの電力供給に最適です。先進のパッケージング技術により、標準のQFN実装/試験手法に対応した、堅牢で信頼性の高い電源ソリューションを実現できます。

### アプリケーション概略図



## 4 Specifications

### 4.1 Absolute Maximum Ratings<sup>(1)</sup>

over operating temperature range (unless otherwise noted)

		VALUE		UNIT
		MIN	MAX	
Input Voltage	VIN, PWRGD	-0.3	7	V
	INH/UVLO, RT/CLK	-0.3	3.3	V
	SS/TR, STSEL, VADJ	-0.3	3	V
	SENSE+	VADJ rating must also be met		VOUT
Output Voltage	PH	-0.6	7	V
	PH 10ns Transient	-2	7	V
	VOUT	-0.6	VIN	V
V <sub>DIFF</sub> (GND to exposed thermal pad)		-0.2	0.2	V
Source Current	RT/CLK, INH/UVLO		±100	µA
	PH		Current Limit	A
Sink Current	PH		Current Limit	A
	SS/TR		±100	µA
	PWRGD		10	mA
Operating Junction Temperature		-40	125 <sup>(2)</sup>	°C
Storage Temperature		-65	150	°C
Peak Reflow Case Temperature <sup>(3)</sup>			250 <sup>(4)</sup>	°C
Maximum Number of Reflows Allowed <sup>(3)</sup>			3 <sup>(4)</sup>	
Mechanical Shock	Mil-STD-883D, Method 2002.3, 1 msec, 1/2 sine, mounted		1500	G
Mechanical Vibration	Mil-STD-883D, Method 2007.2, 20-2000Hz		20	

- (1) Stresses beyond those listed under absolute maximum ratings may cause permanent damage to the device. These are stress ratings only, and functional operation of the device at these or any other conditions beyond those indicated under recommended operating conditions is not implied. Exposure to absolute-maximum-rated conditions for extended periods may affect device reliability.
- (2) See the temperature derating curves in the Typical Characteristics section for thermal information.
- (3) For soldering specifications, refer to the [Soldering Requirements for BQFN Packages](#) application note.
- (4) Devices with a date code prior to week 14 2018 (1814) have a peak reflow case temperature of 240°C with a maximum of one reflow.

### 4.2 Thermal Information

THERMAL METRIC <sup>(1)</sup>		TPS84410	UNIT
		RKG39	
		39 PINS	
$\theta_{JA}$	Junction-to-ambient thermal resistance <sup>(2)</sup>	12	°C/W
$\psi_{JT}$	Junction-to-top characterization parameter <sup>(3)</sup>	2.2	
$\psi_{JB}$	Junction-to-board characterization parameter <sup>(4)</sup>	9.7	

- (1) For more information about traditional and new thermal metrics, see the IC Package Thermal Metrics application report, [SPRA953](#).
- (2) The junction-to-ambient thermal resistance,  $\theta_{JA}$ , applies to devices soldered directly to a 100 mm x 100 mm double-sided PCB with 1 oz. copper and natural convection cooling. Additional airflow reduces  $\theta_{JA}$ .
- (3) The junction-to-top characterization parameter,  $\psi_{JT}$ , estimates the junction temperature,  $T_J$ , of a device in a real system, using a procedure described in JESD51-2A (sections 6 and 7).  $T_J = \psi_{JT} * P_{dis} + T_T$ , where  $P_{dis}$  is the power dissipated in the device and  $T_T$  is the temperature of the top of the device.
- (4) The junction-to-board characterization parameter,  $\psi_{JB}$ , estimates the junction temperature,  $T_J$ , of a device in a real system, using a procedure described in JESD51-2A (sections 6 and 7).  $T_J = \psi_{JB} * P_{dis} + T_B$ , where  $P_{dis}$  is the power dissipated in the device and  $T_B$  is the temperature of the board 1mm from the device.

### 4.3 Package Specifications

TPS84410		UNIT
Weight		0.85 grams
Flammability	Meets UL 94 V-O	
MTBF Calculated reliability	Per Bellcore TR-332, 50% stress, $T_A = 40^\circ\text{C}$ , ground benign	32.8 Mhrs

#### 4.4 Electrical Characteristics

Over  $-40^{\circ}\text{C}$  to  $85^{\circ}\text{C}$  free-air temperature,  $V_{\text{IN}} = 3.3\text{ V}$ ,  $V_{\text{OUT}} = 1.8\text{ V}$ ,  $I_{\text{OUT}} = 4\text{ A}$ ,  $C_{\text{IN}1} = 47\text{ }\mu\text{F}$  ceramic,  $C_{\text{IN}2} = 220\text{ }\mu\text{F}$  poly-tantalum,  $C_{\text{OUT}1} = 47\text{ }\mu\text{F}$  ceramic,  $C_{\text{OUT}2} = 100\text{ }\mu\text{F}$  poly-tantalum (unless otherwise noted)

PARAMETER		TEST CONDITIONS	MIN	TYP	MAX	UNIT
$I_{\text{OUT}}$	Output current	$T_{\text{A}} = 85^{\circ}\text{C}$ , natural convection	0		4	A
$V_{\text{IN}}$	Input voltage range	Over $I_{\text{OUT}}$ range	2.95 <sup>(1)</sup>		6	V
$UVLO$	$V_{\text{IN}}$ Undervoltage lockout	$V_{\text{IN}} = \text{increasing}$		3.05	3.135	V
		$V_{\text{IN}} = \text{decreasing}$	2.5	2.75		
$V_{\text{OUT(adj)}}$	Output voltage adjust range	Over $I_{\text{OUT}}$ range	0.8		3.6	V
$V_{\text{OUT}}$	Set-point voltage tolerance	$T_{\text{A}} = 25^{\circ}\text{C}$ , $I_{\text{OUT}} = 0\text{ A}$			$\pm 1.0\%$ <sup>(2)</sup>	
	Temperature variation	$-40^{\circ}\text{C} \leq T_{\text{A}} \leq +85^{\circ}\text{C}$ , $I_{\text{OUT}} = 0\text{ A}$		$\pm 0.3\%$		
	Line regulation	Over $V_{\text{IN}}$ range, $T_{\text{A}} = 25^{\circ}\text{C}$ , $I_{\text{OUT}} = 0\text{ A}$		$\pm 0.1\%$		
	Load regulation	Over $I_{\text{OUT}}$ range, $T_{\text{A}} = 25^{\circ}\text{C}$		$\pm 0.1\%$		
	Total output voltage variation	Includes set-point, line, load, and temperature variation				$\pm 1.5\%$ <sup>(2)</sup>
$\eta$	Efficiency	$V_{\text{IN}} = 5\text{ V}$ $I_{\text{O}} = 2\text{ A}$	$V_{\text{OUT}} = 3.3\text{ V}$ , $f_{\text{SW}} = 1\text{ MHz}$		95%	
			$V_{\text{OUT}} = 2.5\text{ V}$ , $f_{\text{SW}} = 1\text{ MHz}$		93%	
			$V_{\text{OUT}} = 1.8\text{ V}$ , $f_{\text{SW}} = 1\text{ MHz}$		91%	
			$V_{\text{OUT}} = 1.5\text{ V}$ , $f_{\text{SW}} = 1\text{ MHz}$		89%	
			$V_{\text{OUT}} = 1.2\text{ V}$ , $f_{\text{SW}} = 750\text{ kHz}$		87%	
			$V_{\text{OUT}} = 1.0\text{ V}$ , $f_{\text{SW}} = 650\text{ kHz}$		85%	
			$V_{\text{OUT}} = 0.8\text{ V}$ , $f_{\text{SW}} = 650\text{ kHz}$		84%	
		$V_{\text{IN}} = 3.3\text{ V}$ $I_{\text{O}} = 2\text{ A}$	$V_{\text{OUT}} = 1.8\text{ V}$ , $f_{\text{SW}} = 1\text{ MHz}$		90%	
			$V_{\text{OUT}} = 1.5\text{ V}$ , $f_{\text{SW}} = 1\text{ MHz}$		88%	
			$V_{\text{OUT}} = 1.2\text{ V}$ , $f_{\text{SW}} = 750\text{ kHz}$		87%	
			$V_{\text{OUT}} = 1.0\text{ V}$ , $f_{\text{SW}} = 650\text{ kHz}$		84%	
			$V_{\text{OUT}} = 1.0\text{ V}$ , $f_{\text{SW}} = 650\text{ kHz}$		84%	
			$V_{\text{OUT}} = 0.8\text{ V}$ , $f_{\text{SW}} = 650\text{ kHz}$		82%	
	Output voltage ripple	20 MHz bandwidth		9		mV <sub>PP</sub>
$I_{\text{LIM}}$	Overcurrent threshold			7		A
	Transient response	1.0 A/ $\mu\text{s}$ load step from 1A to 3A	Recovery time		80	$\mu\text{s}$
			$V_{\text{OUT}}$ over/undershoot		90	mV
$V_{\text{INH-H}}$	Inhibit Control	Inhibit High Voltage		1.25	Open <sup>(3)</sup>	V
$V_{\text{INH-L}}$		Inhibit Low Voltage	-0.3	1.0		
$I_{\text{I(stby)}}$	Input standby current	INH pin to AGND		70	100	$\mu\text{A}$
Power Good	PWRGD Thresholds	$V_{\text{OUT}}$ rising	Good		93%	
			Fault		107%	
		$V_{\text{OUT}}$ falling	Fault		91%	
			Good		105%	
	PWRGD Low Voltage	$I(\text{PWRGD}) = 0.33\text{ mA}$			0.3	V
$f_{\text{SW}}$	Switching frequency	Over $V_{\text{IN}}$ and $I_{\text{OUT}}$ ranges, RT/CLK pin OPEN	400	500	600	kHz
$f_{\text{CLK}}$	Synchronization frequency		500		2000	kHz
$V_{\text{CLK-H}}$	CLK High-Level Threshold	CLK Control		2.2	3.3	V
$V_{\text{CLK-L}}$	CLK Low-Level Threshold			-0.3	0.4	V
CLK_PW	CLK Pulse Width			75 <sup>(4)</sup>		ns
	Thermal Shutdown	Thermal shutdown		175		$^{\circ}\text{C}$
		Thermal shutdown hysteresis		15		$^{\circ}\text{C}$

- (1) The minimum  $V_{\text{IN}}$  depends on  $V_{\text{OUT}}$  and the switching frequency. Please refer to [Table 8](#) for operating limits.
- (2) The stated limit of the set-point voltage tolerance includes the tolerance of both the internal voltage reference and the internal adjustment resistor. The overall output voltage tolerance will be affected by the tolerance of the external  $R_{\text{SET}}$  resistor.
- (3) This control pin has an internal pullup. Do not place an external pull-up resistor on this pin. If this pin is left open circuit, the device operates when input power is applied. A small low-leakage MOSFET is recommended for control. See the application section for further guidance.
- (4) The maximum synchronization clock pulse width is dependant on  $V_{\text{IN}}$ ,  $V_{\text{OUT}}$ , and the synchronization frequency. See the [Synchronization \(CLK\)](#) section for more information.

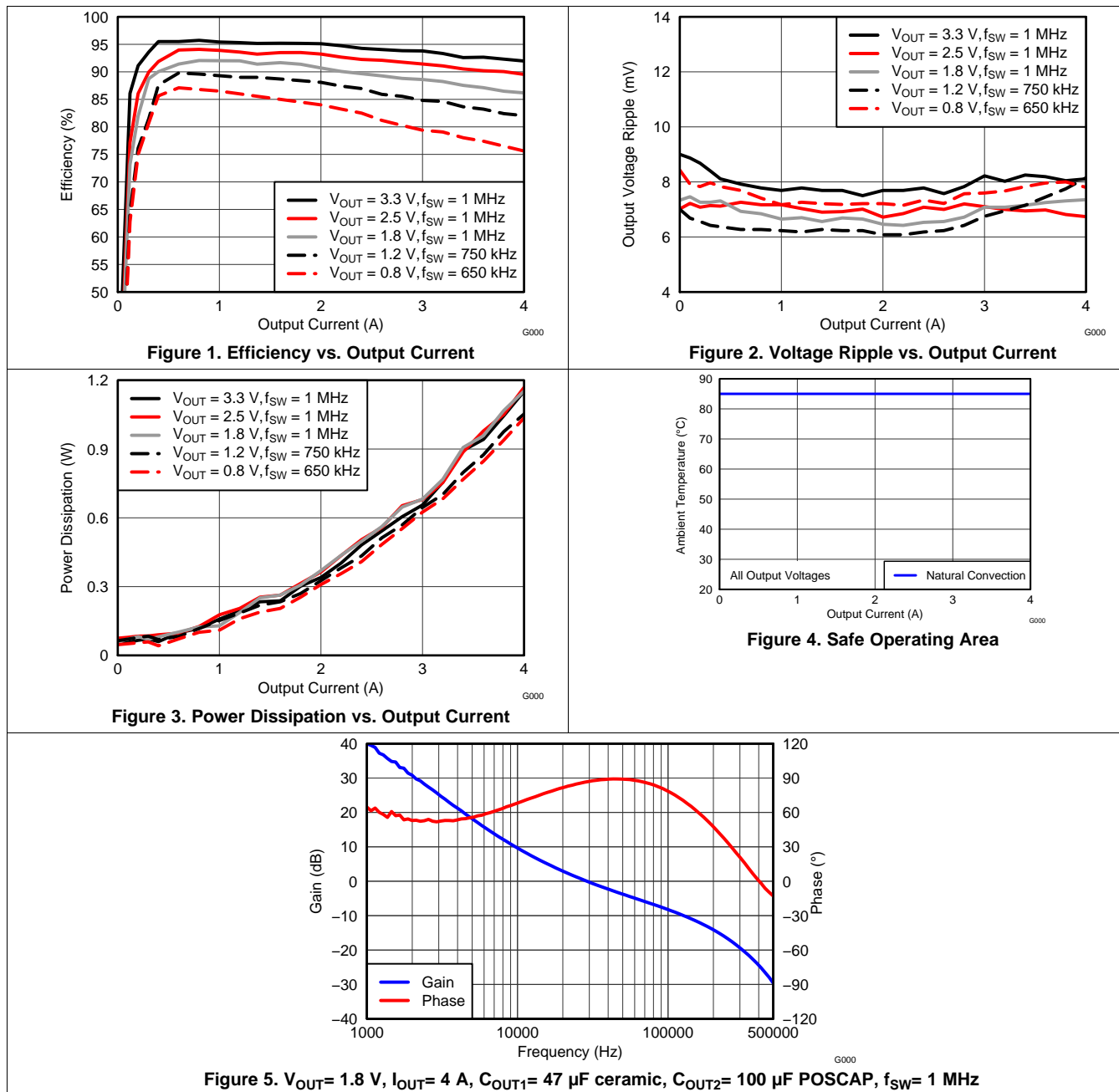
## Electrical Characteristics (continued)

Over  $-40^{\circ}\text{C}$  to  $85^{\circ}\text{C}$  free-air temperature,  $V_{\text{IN}} = 3.3\text{ V}$ ,  $V_{\text{OUT}} = 1.8\text{ V}$ ,  $I_{\text{OUT}} = 4\text{ A}$ ,  
 $C_{\text{IN}1} = 47\text{ }\mu\text{F}$  ceramic,  $C_{\text{IN}2} = 220\text{ }\mu\text{F}$  poly-tantalum,  $C_{\text{OUT}1} = 47\text{ }\mu\text{F}$  ceramic,  $C_{\text{OUT}2} = 100\text{ }\mu\text{F}$  poly-tantalum (unless otherwise noted)

PARAMETER		TEST CONDITIONS	MIN	TYP	MAX	UNIT
$C_{\text{IN}}$	External input capacitance	Ceramic	47 <sup>(5)</sup>			$\mu\text{F}$
		Non-ceramic		220 <sup>(5)</sup>		
$C_{\text{OUT}}$	External output capacitance	Ceramic	47 <sup>(6)</sup>	150	650 <sup>(7)</sup>	$\mu\text{F}$
		Non-ceramic		100 <sup>(6)</sup>	2000 <sup>(7)</sup>	
		Equivalent series resistance (ESR)				25

- (5) A minimum of  $47\mu\text{F}$  of ceramic capacitance is required across the input for proper operation. Locate the capacitor close to the device. An additional  $220\mu\text{F}$  of bulk capacitance is recommended. See [Table 6](#) for more details.
- (6) The amount of required output capacitance varies depending on the output voltage (see [Table 4](#)). The amount of required capacitance must include at least  $47\mu\text{F}$  of ceramic capacitance. Locate the capacitance close to the device. Adding additional capacitance close to the load improves the response of the regulator to load transients. See [Table 4](#) and [Table 6](#) for more details.
- (7) When using both ceramic and non-ceramic output capacitance, the combined maximum must not exceed  $2200\mu\text{F}$ .

4.5 Typical Characteristics (VIN = 5 V) (8) (9)



- (8) The electrical characteristic data has been developed from actual products tested at 25°C. This data is considered typical for the converter. Applies to [Figure 1](#), [Figure 2](#), and [Figure 3](#).
- (9) The temperature derating curves represent the conditions at which internal components are at or below the manufacturer's maximum operating temperatures. Derating limits apply to devices soldered directly to a 100 mm x 100 mm double-sided PCB with 1 oz. copper. Applies to [Figure 4](#).

4.6 Typical Characteristics (VIN = 3.3 V) <sup>(10)</sup> <sup>(11)</sup>

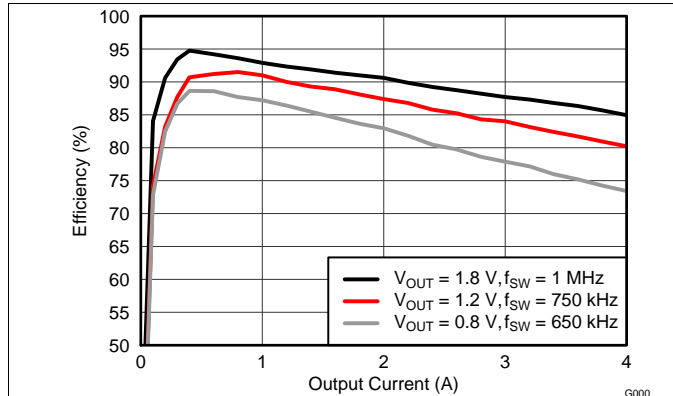


Figure 6. Efficiency vs. Output Current

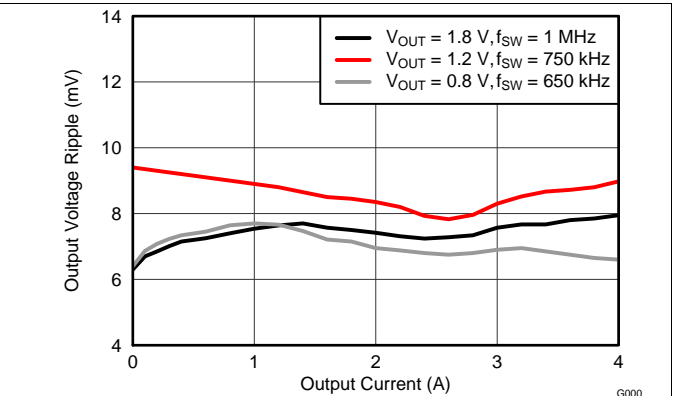


Figure 7. Voltage Ripple vs. Output Current

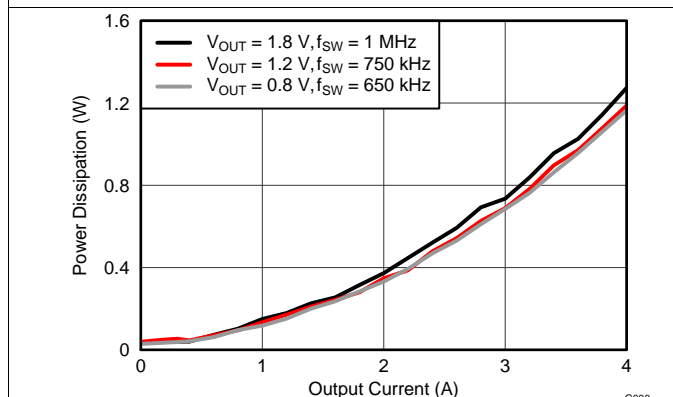


Figure 8. Power Dissipation vs. Output Current

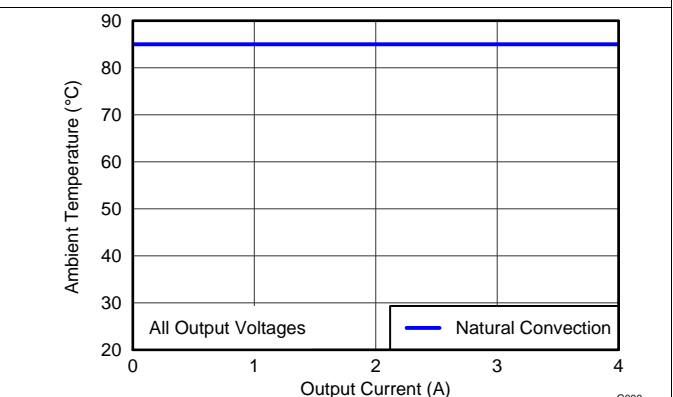


Figure 9. Safe Operating Area

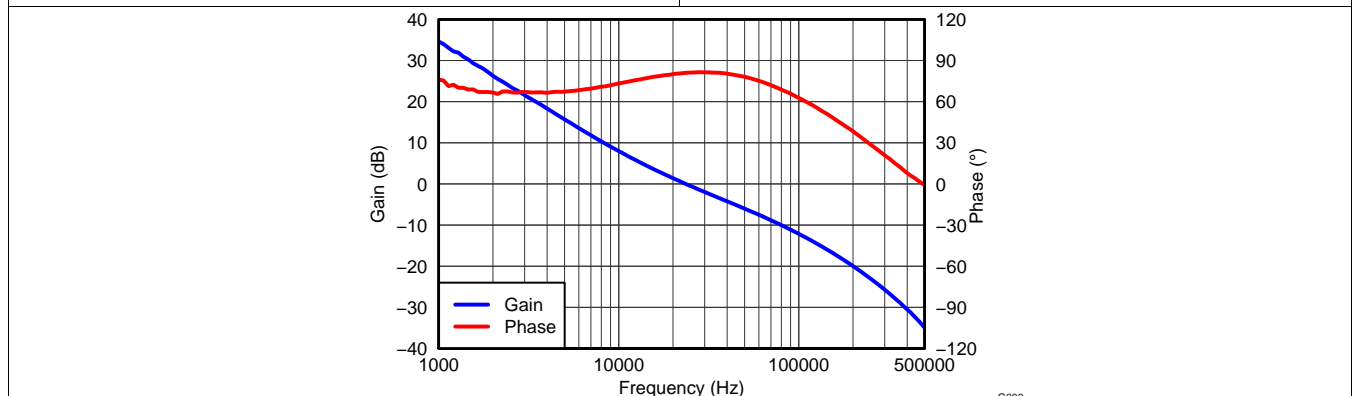
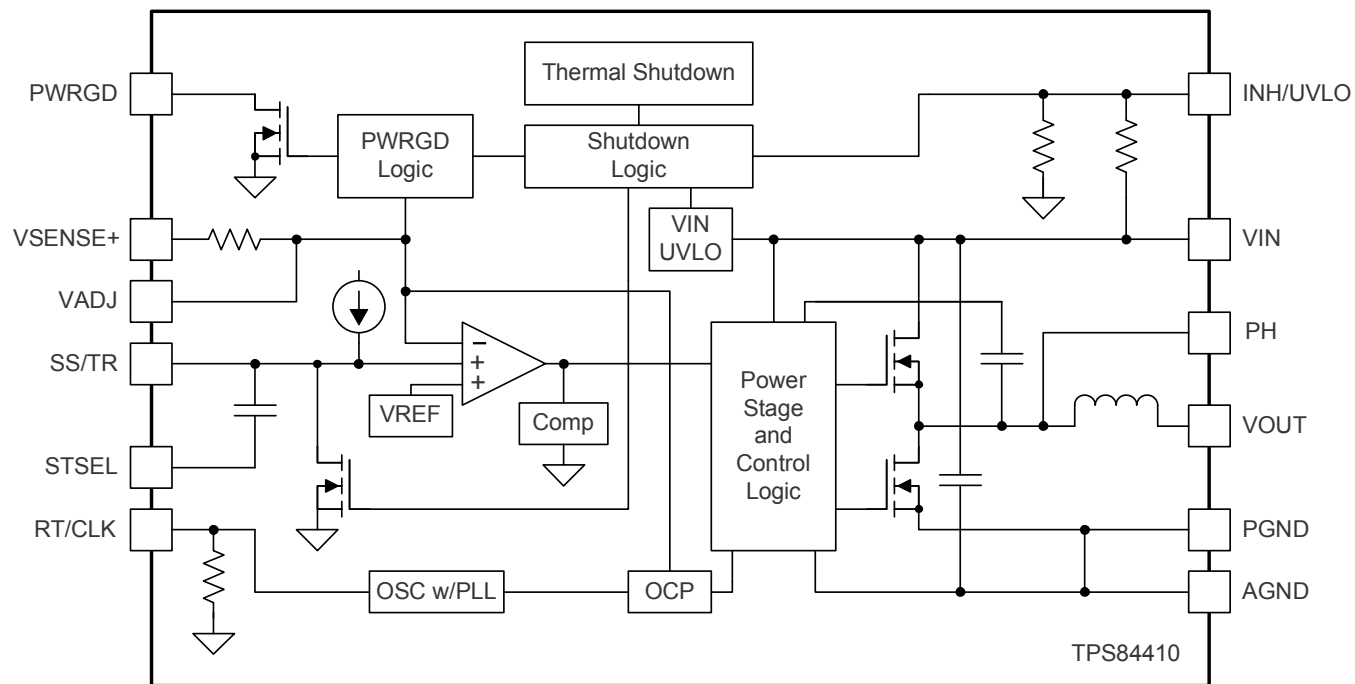


Figure 10. V<sub>OUT</sub> = 1.8 V, I<sub>OUT</sub> = 4 A, C<sub>OUT1</sub> = 47 μF ceramic, C<sub>OUT2</sub> = 100 μF POSCAP, f<sub>SW</sub> = 1 MHz

- (10) The electrical characteristic data has been developed from actual products tested at 25°C. This data is considered typical for the converter. Applies to [Figure 6](#), [Figure 7](#), and [Figure 8](#).
- (11) The temperature derating curves represent the conditions at which internal components are at or below the manufacturer's maximum operating temperatures. Derating limits apply to devices soldered directly to a 100 mm × 100 mm double-sided PCB with 1 oz. copper. Applies to [Figure 9](#).

## 5 Functional Block Diagram

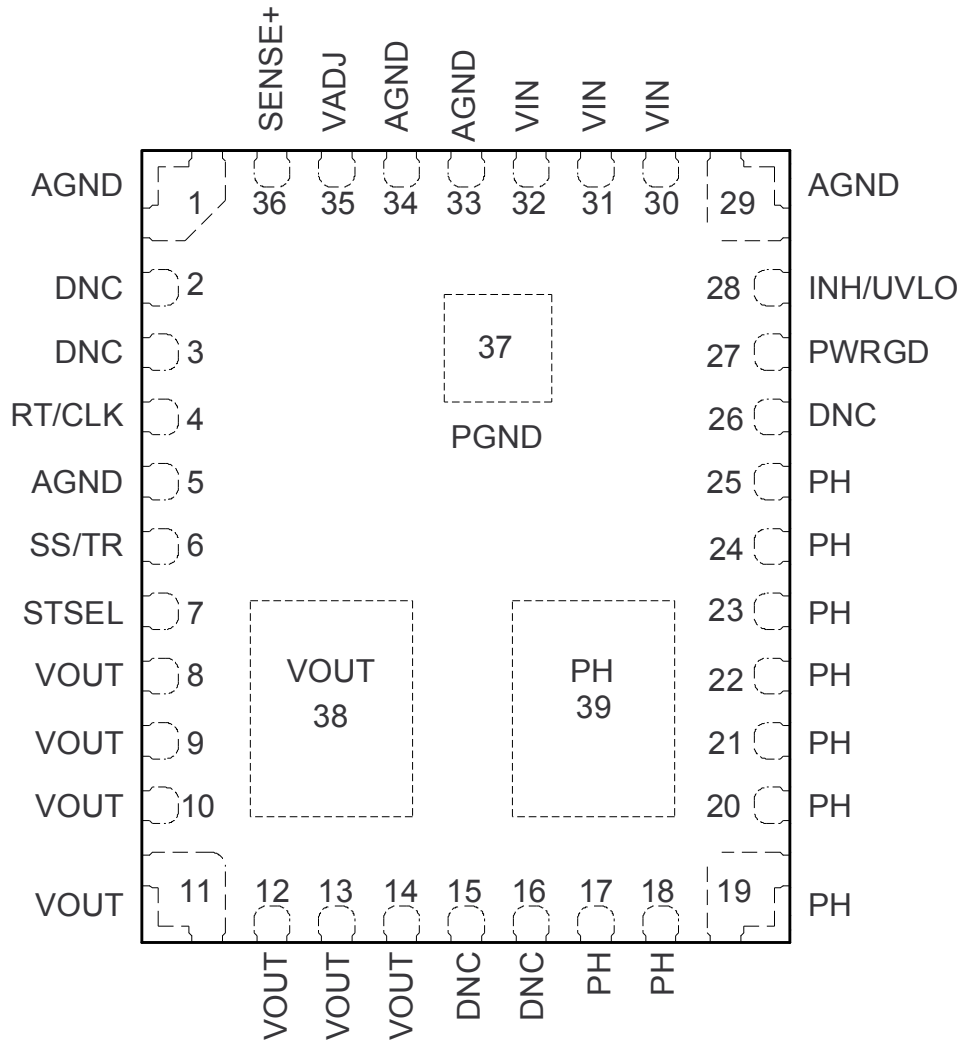


**Table 1. Pin Functions**

TERMINAL		DESCRIPTION
NAME	NO.	
AGND	1	Zero VDC reference for the analog control circuitry. These pins should be connected directly to the PCB analog ground plane. Not all pins are connected together internally. All pins must be connected together externally with a copper plane or pour directly under the module. Connect the AGND copper area to the PGND copper area at a single point; directly at the pin 37 PowerPAD using multiple vias. See the recommended layout in <a href="#">Figure 34</a> .
	5	
	29	
	33	
	34	
PowerPAD (PGND)	37	This pad provides both an electrical and thermal connection to the PCB. This pad should be connected directly to the PCB power ground plane using multiple vias for good electrical and thermal performance. The same vias should also be used to connect to the PCB analog ground plane. See the recommended layout in <a href="#">Figure 34</a> .
DNC	2	Do not connect. Do not connect these pins to AGND, to another DNC pin, or to any other voltage. These pins are connected to internal circuitry. Each pin must be soldered to an isolated pad.
	3	
	15	
	16	
	26	
INH/UVLO	28	Inhibit and UVLO adjust pin. Use an open drain or open collector output logic to control the INH function. A resistor between this pin and AGND adjusts the UVLO voltage.
PH	17	Phase switch node. These pins should be connected by a small copper island under the device for thermal relief. Do not connect any external component to this pin or tie it to a pin of another function.
	18	
	19	
	20	
	21	
	22	
	23	
	24	
	25	
39		
PWRGD	27	Power good fault pin. Asserts low if the output voltage is out of tolerance. A pull-up resistor is required.
RT/CLK	4	This pin automatically selects between RT mode and CLK mode. An external timing resistor adjusts the switching frequency of the device. In CLK mode, the device synchronizes to an external clock.
SENSE+	36	Remote sense connection. Connect this pin to VOUT at the load for improved regulation. This pin must be connected to VOUT at the load, or at the module pins.
SS/TR	6	Slow-start and tracking pin. Connecting an external capacitor to this pin adjusts the output voltage rise time. A voltage applied to this pin allows for tracking and sequencing control.
STSEL	7	Slow-start or track feature select. Connect this pin to AGND to enable the internal SS capacitor with a SS interval of approximately 1.1 ms. Leave this pin open to enable the TR feature.
VADJ	35	Connecting a resistor between this pin and AGND sets the output voltage above the 0.8V default voltage.
VIN	30	The positive input voltage power pins, which are referenced to PGND. Connect external input capacitance between these pins and the PGND plane, close to the device.
	31	
	32	
VOUT	8	Output voltage. Connect output capacitors between these pins and the PGND plane, close to the device.
	9	
	10	
	11	
	12	
	13	
	14	
38		



**RKG PACKAGE  
39 PINS  
(TOP VIEW)**



## 6 Application Information

### 6.1 Adjusting The Output Voltage

The VADJ control sets the output voltage of the TPS84410. The output voltage adjustment range is from 0.8V to 3.6V. The adjustment method requires the addition of R<sub>SET</sub>, which sets the output voltage, the connection of SENSE+ to VOUT, and in some cases R<sub>RT</sub> which sets the switching frequency. The R<sub>SET</sub> resistor must be connected directly between the VADJ (pin 35) and AGND (pin 33 & 34). The SENSE+ pin (pin 36) must be connected to VOUT either at the load for improved regulation or at VOUT of the module. The R<sub>RT</sub> resistor must be connected directly between the RT/CLK (pin 4) and AGND (pins 33 & 34).

Table 2 gives the standard external R<sub>SET</sub> resistor for a number of common bus voltages, along with the recommended R<sub>RT</sub> resistor for that output voltage.

**Table 2. Standard R<sub>SET</sub> Resistor Values for Common Output Voltages**

RESISTORS	OUTPUT VOLTAGE V <sub>OUT</sub> (V)					
	0.8	1.2	1.5	1.8	2.5	3.3
R <sub>SET</sub> (kΩ)	open	2.87	1.65	1.15	0.673	0.459
R <sub>RT</sub> (kΩ)	1200	715	348	348	348	348

For other output voltages, the value of the required resistor can either be calculated using the following formula, or simply selected from the range of values given in Table 3.

$$R_{SET} = \frac{1.43}{\left(\left(\frac{V_{OUT}}{0.803}\right) - 1\right)} \text{ (k}\Omega\text{)} \tag{1}$$

**Table 3. Standard R<sub>SET</sub> Resistor Values**

V <sub>OUT</sub> (V)	R <sub>SET</sub> (kΩ)	R <sub>RT</sub> (kΩ)	f <sub>sw</sub> (kHz)	V <sub>OUT</sub> (V)	R <sub>SET</sub> (kΩ)	R <sub>RT</sub> (kΩ)	f <sub>sw</sub> (kHz)
0.8	open	1200	650	2.3	0.768	348	1000
0.9	11.8	1200	650	2.4	0.715	348	1000
1.0	5.83	1200	650	2.5	0.673	348	1000
1.1	3.83	1200	650	2.6	0.634	348	1000
1.2	2.87	715	750	2.7	0.604	348	1000
1.3	2.32	715	750	2.8	0.576	348	1000
1.4	1.91	715	750	2.9	0.549	348	1000
1.5	1.65	348	1000	3.0	0.523	348	1000
1.6	1.43	348	1000	3.1	0.499	348	1000
1.7	1.27	348	1000	3.2	0.475	348	1000
1.8	1.15	348	1000	3.3	0.459	348	1000
1.9	1.05	348	1000	3.4	0.442	348	1000
2.0	0.953	348	1000	3.5	0.422	348	1000
2.1	0.845	348	1000	3.6	0.412	348	1000
2.2	0.825	348	1000				

## 6.2 Capacitor Recommendations For The TPS84410 Power Supply

### 6.2.1 Capacitor Technologies

#### 6.2.1.1 Electrolytic, Polymer-Electrolytic Capacitors

When using electrolytic capacitors, high-quality, computer-grade electrolytic capacitors are recommended. Polymer-electrolytic type capacitors are recommended for applications where the ambient operating temperature is less than 0°C. The Sanyo OS-CON capacitor series is suggested due to the lower ESR, higher rated surge, power dissipation, ripple current capability, and small package size. Aluminum electrolytic capacitors provide adequate decoupling over the frequency range of 2 kHz to 150 kHz, and are suitable when ambient temperatures are above 0°C.

#### 6.2.1.2 Ceramic Capacitors

The performance of aluminum electrolytic capacitors is less effective than ceramic capacitors above 150 kHz. Multilayer ceramic capacitors have a low ESR and a resonant frequency higher than the bandwidth of the regulator. They can be used to reduce the reflected ripple current at the input as well as improve the transient response of the output.

#### 6.2.1.3 Tantalum, Polymer-Tantalum Capacitors

Polymer-tantalum type capacitors are recommended for applications where the ambient operating temperature is less than 0°C. The Sanyo POSCAP series and Kemet T530 capacitor series are recommended rather than many other tantalum types due to their lower ESR, higher rated surge, power dissipation, ripple current capability, and small package size. Tantalum capacitors that have no stated ESR or surge current rating are not recommended for power applications.

### 6.2.2 Input Capacitor

The TPS84410 requires a minimum input capacitance of 47  $\mu\text{F}$  of ceramic capacitance. An additional 220  $\mu\text{F}$  polymer-tantalum capacitor is recommended for applications with transient load requirements. The combined ripple current rating of the input capacitors must be at least 2000 mArms. [Table 6](#) includes a preferred list of capacitors by vendor. For applications where the ambient operating temperature is less than 0°C, an additional 1  $\mu\text{F}$ , X5R or X7R ceramic capacitor placed between VIN and AGND is recommended.

### 6.2.3 Output Capacitor

The required output capacitance is determined by the output voltage of the TPS84410. See [Table 4](#) for the amount of required capacitance. The required output capacitance must include at least one 47  $\mu\text{F}$  ceramic capacitor. For applications where the ambient operating temperature is less than 0°C, an additional 100  $\mu\text{F}$  polymer-tantalum capacitor is recommended. When adding additional non-ceramic bulk capacitors, low-ESR devices like the ones recommended in [Table 6](#) are required. The required capacitance above the minimum is determined by actual transient deviation requirements. See [Table 5](#) for typical transient response values for several output voltage, input voltage and capacitance combinations. [Table 6](#) includes a preferred list of capacitors by vendor.

**Table 4. Required Output Capacitance**

V <sub>OUT</sub> RANGE (V)		MINIMUM REQUIRED C <sub>OUT</sub> ( $\mu\text{F}$ )
MIN	MAX	
0.8	< 1.8	147 <sup>(1)</sup>
1.8	< 3.3	100 <sup>(2)</sup>
3.3	3.6	47 <sup>(2)</sup>

- (1) Minimum required must include at least 1 x 47  $\mu\text{F}$  ceramic capacitor plus 1 x 100  $\mu\text{F}$  polymer-tantalum capacitor.
- (2) Minimum required must include at least 47  $\mu\text{F}$  of ceramic capacitance.

**Table 5. Output Voltage Transient Response**

$C_{IN1} = 1 \times 47 \mu\text{F CERAMIC}, C_{IN2} = 220 \mu\text{F POLYMER-TANTALUM, LOAD STEP} = 2 \text{ A}, 1 \text{ A}/\mu\text{s}$						
$V_{OUT}$ (V)	$V_{IN}$ (V)	$C_{OUT1}$ Ceramic	$C_{OUT2}$ BULK	VOLTAGE DEVIATION (mV)	PEAK-PEAK (mV)	RECOVERY TIME ( $\mu\text{s}$ )
0.8	3.3	47 $\mu\text{F}$	100 $\mu\text{F}$	50	95	60
		47 $\mu\text{F}$	330 $\mu\text{F}$	45	85	70
	5	47 $\mu\text{F}$	100 $\mu\text{F}$	45	85	50
		47 $\mu\text{F}$	330 $\mu\text{F}$	40	75	65
1.2	3.3	47 $\mu\text{F}$	100 $\mu\text{F}$	70	130	80
		47 $\mu\text{F}$	330 $\mu\text{F}$	55	100	80
	5	47 $\mu\text{F}$	100 $\mu\text{F}$	60	110	65
		47 $\mu\text{F}$	330 $\mu\text{F}$	50	90	80
1.8	3.3	47 $\mu\text{F}$	100 $\mu\text{F}$	95	185	90
		47 $\mu\text{F}$	330 $\mu\text{F}$	75	140	110
	5	47 $\mu\text{F}$	100 $\mu\text{F}$	80	160	70
		47 $\mu\text{F}$	330 $\mu\text{F}$	65	125	90
2.5	5	47 $\mu\text{F}$	100 $\mu\text{F}$	100	200	80
		2x 47 $\mu\text{F}$	-	140	270	90
3.3	5	47 $\mu\text{F}$	100 $\mu\text{F}$	130	255	100
		47 $\mu\text{F}$	-	200	400	120

**Table 6. Recommended Input/Output Capacitors<sup>(1)</sup>**

VENDOR	SERIES	PART NUMBER	CAPACITOR CHARACTERISTICS		
			WORKING VOLTAGE (V)	CAPACITANCE ( $\mu\text{F}$ )	ESR <sup>(2)</sup> (m $\Omega$ )
Murata	X5R	GRM32ER61C476K	16	47	2
TDK	X5R	C3225X5R0J107M	6.3	100	2
Murata	X5R	GRM32ER60J107M	6.3	100	2
TDK	X5R	C3225X5R0J476K	6.3	47	2
Murata	X5R	GRM32ER60J476M	6.3	47	2
Sanyo	POSCAP	10TPE220ML	10	220	25
Kemet	T520	T520V107M010ASE025	10	100	25
Sanyo	POSCAP	6TPE100MPB	6.3	100	25
Sanyo	POSCAP	2R5TPE220M7	2.5	220	7
Kemet	T530	T530D227M006ATE006	6.3	220	6
Kemet	T530	T530D337M006ATE010	6.3	330	10
Sanyo	POSCAP	2TPF330M6	2.0	330	6
Sanyo	POSCAP	6TPE330MFL	6.3	330	15

**(1) Capacitor Supplier Verification**

Please verify availability of capacitors identified in this table.

**RoHS, Lead-free and Material Details**

Please consult capacitor suppliers regarding material composition, RoHS status, lead-free status, and manufacturing process requirements.

**(2) Maximum ESR @ 100kHz, 25°C.**

### 6.3 Transient Response

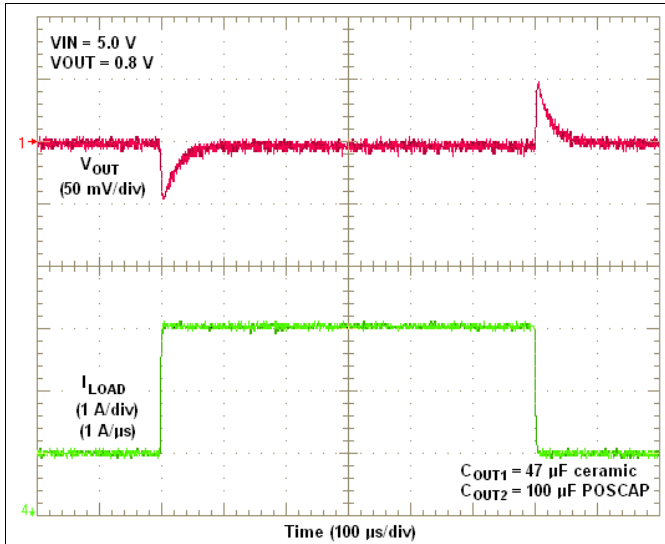


Figure 11. VIN = 5V, VOUT = 0.8V, 2A Load Step

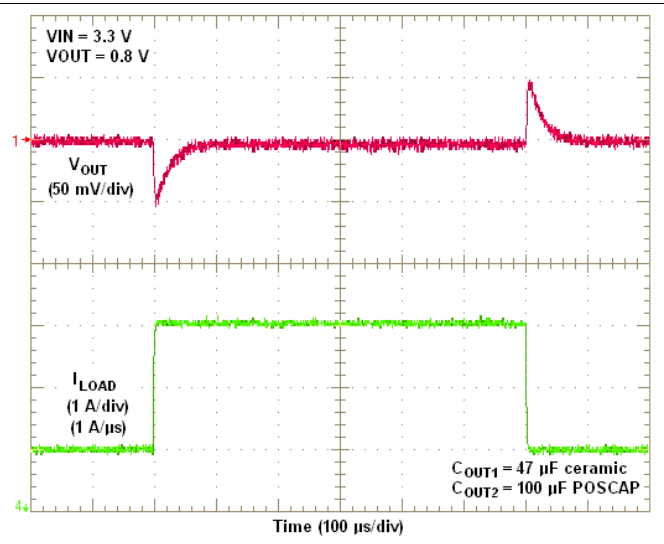


Figure 12. VIN = 3.3V, VOUT = 0.8V, 2A Load Step

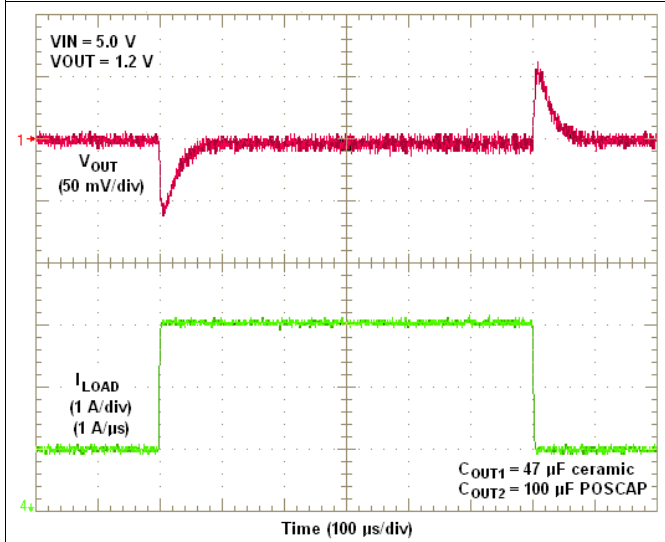


Figure 13. VIN = 5V, VOUT = 1.2V, 2A Load Step

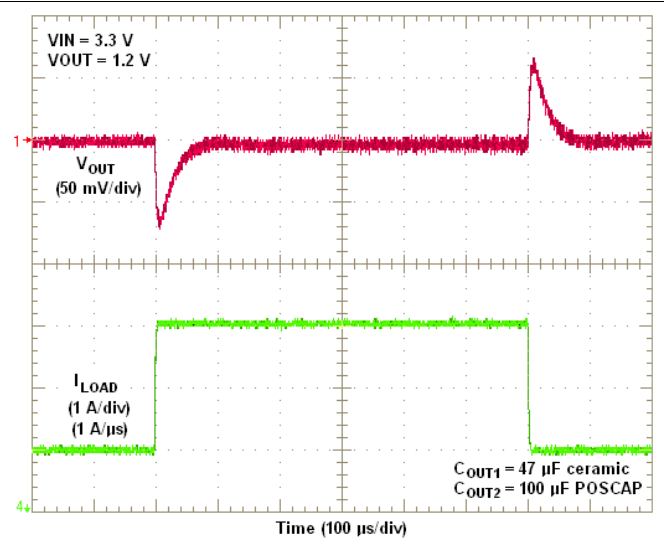
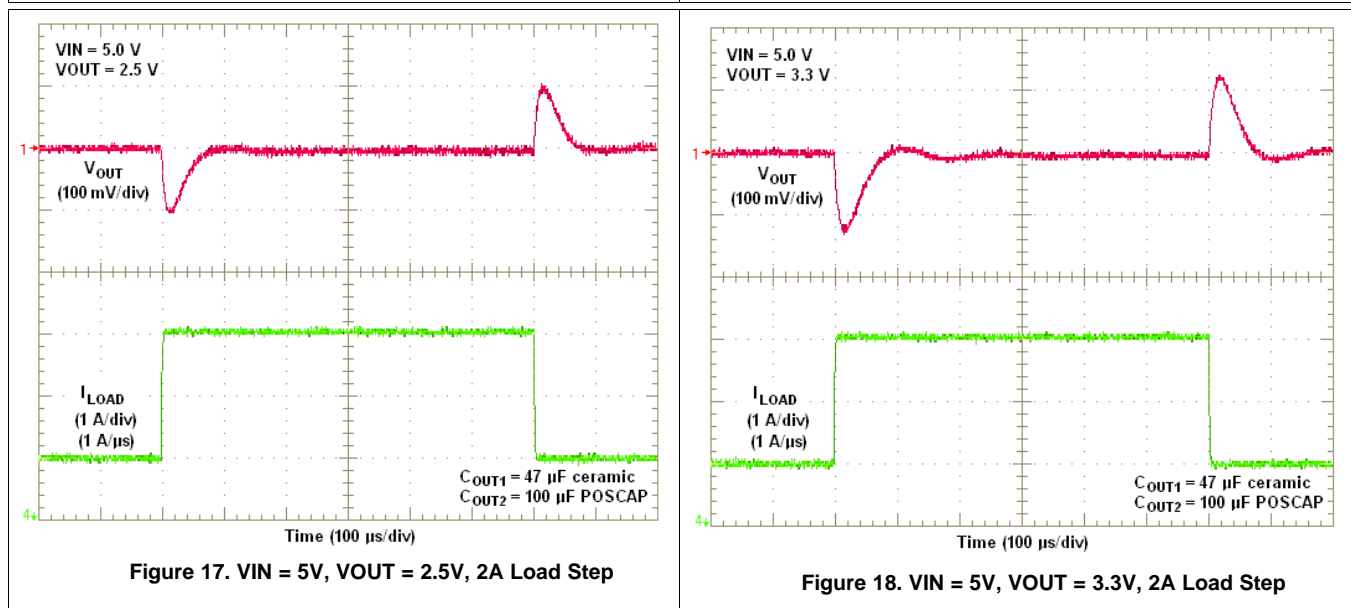
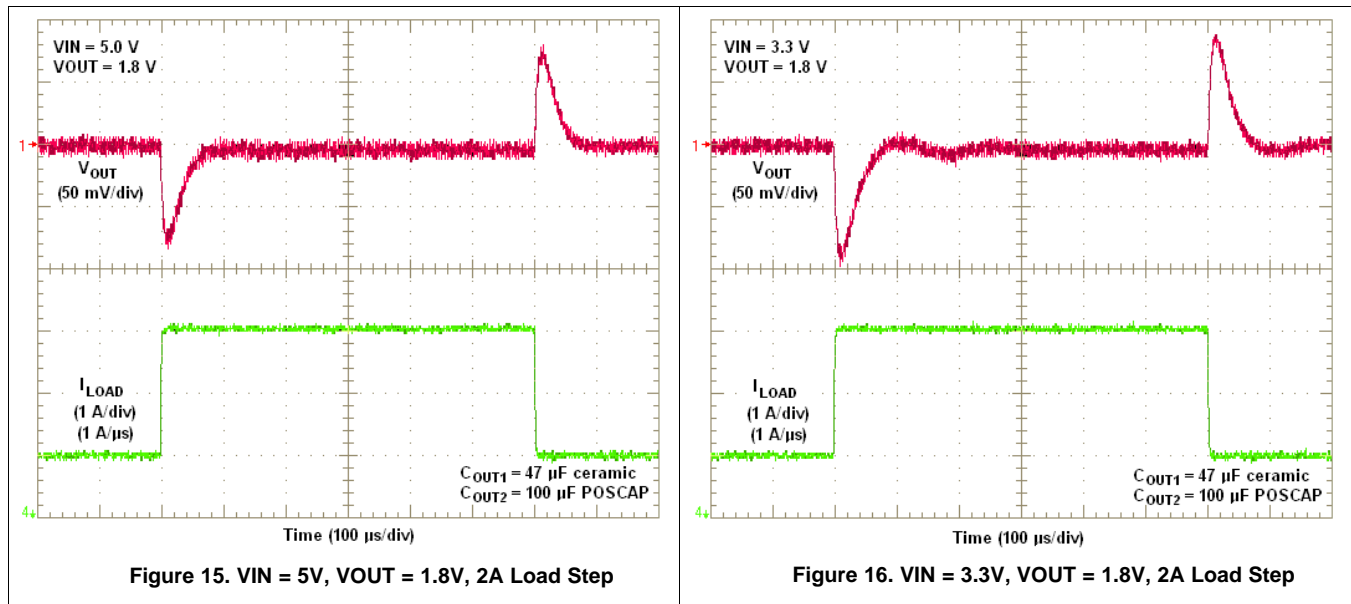
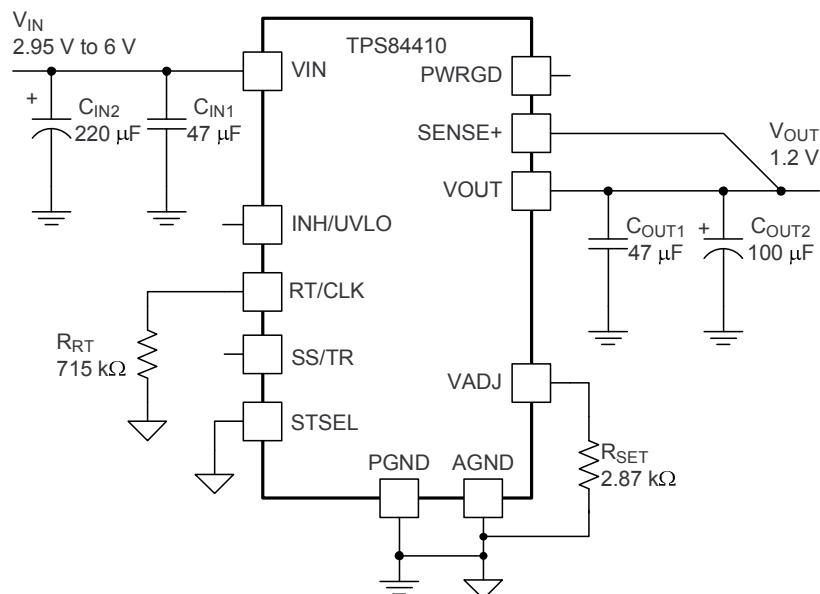


Figure 14. VIN = 3.3V, VOUT = 1.2V, 2A Load Step

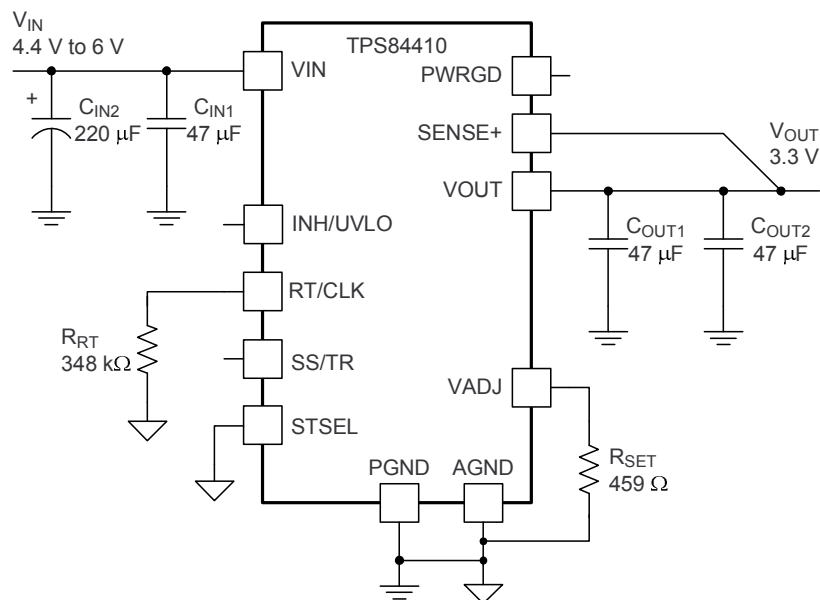
Transient Response (continued)



## 6.4 Application Schematics



**Figure 19. Typical Schematic**  
VIN = 2.95 V to 6.0 V, VOUT = 1.2 V



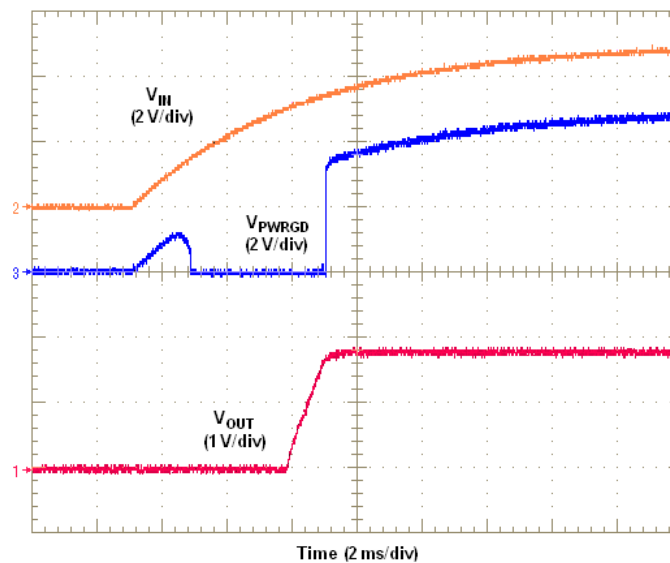
**Figure 20. Typical Schematic**  
VIN = 4.4 V to 6.0 V, VOUT = 3.3 V

## 6.5 Power Good (PWRGD)

The PWRGD pin is an open drain output. Once the voltage on the SENSE+ pin is between 93% and 105% of the set voltage, the PWRGD pin pull-down is released and the pin floats. The recommended pull-up resistor value is between 10 k $\Omega$  and 100 k $\Omega$  to a voltage source that is 6 V or less. The PWRGD pin is in a defined state once VIN is greater than 1.2 V, but with reduced current sinking capability. The PWRGD pin achieves full current sinking capability once the VIN pin is above 2.95V. Figure 21 shows the PWRGD waveform during power-up. The PWRGD pin is pulled low when the voltage on SENSE+ is lower than 91% or greater than 107% of the nominal set voltage. Also, the PWRGD pin is pulled low if the input UVLO or thermal shutdown is asserted, or if the INH pin is pulled low.

## 6.6 Power-Up Characteristics

When configured as shown in the front page schematic, the TPS84410 produces a regulated output voltage following the application of a valid input voltage. During the power-up, internal soft-start circuitry slows the rate that the output voltage rises, thereby limiting the amount of in-rush current that can be drawn from the input source. The soft-start circuitry introduces a short time delay from the point that a valid input voltage is recognized. Figure 21 shows the start-up waveforms for a TPS84410, operating from a 5-V input and with the output voltage adjusted to 1.8 V. The waveform is measured with a 2-A constant current load.



**Figure 21. Start-Up Waveforms**

## 6.7 Remote Sense

The SENSE+ pin must be connected to  $V_{OUT}$  at the load, or at the device pins.

Connecting the SENSE+ pin to  $V_{OUT}$  at the load improves the load regulation performance of the device by allowing it to compensate for any I-R voltage drop between its output pins and the load. An I-R drop is caused by the high output current flowing through the small amount of pin and trace resistance. This should be limited to a maximum of 300 mV.

### NOTE

The remote sense feature is not designed to compensate for the forward drop of nonlinear or frequency dependent components that may be placed in series with the converter output. Examples include OR-ing diodes, filter inductors, ferrite beads, and fuses. When these components are enclosed by the SENSE+ connection, they are effectively placed inside the regulation control loop, which can adversely affect the stability of the regulator.



### 6.8 Output On/Off Inhibit (INH)

The INH pin provides electrical on/off control of the device. Once the INH pin voltage exceeds the threshold voltage, the device starts operation. If the INH pin voltage is pulled below the threshold voltage, the regulator stops switching and enters low quiescent current state.

The INH pin has an internal pull-up current source, allowing the user to float the INH pin for enabling the device. If an application requires controlling the INH pin, use an open drain/collector device, or a suitable logic gate to interface with the pin. Do not place an external pull-up resistor on this pin. Figure 22 shows the typical application of the inhibit function.

Turning Q1 on applies a low voltage to the inhibit control (INH) pin and disables the output of the supply, as shown in Figure 23. If Q1 is turned off, the supply executes a soft-start power-up sequence, as shown in Figure 24. The waveforms were measured with a 2-A constant current load.

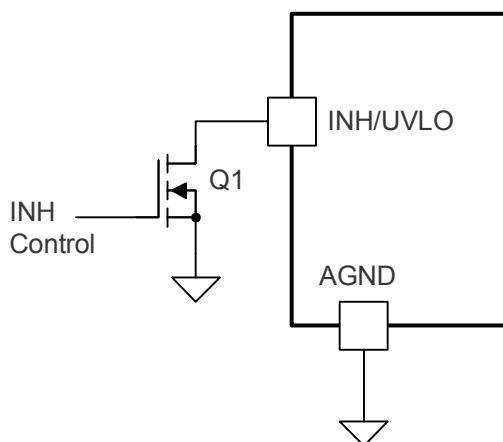
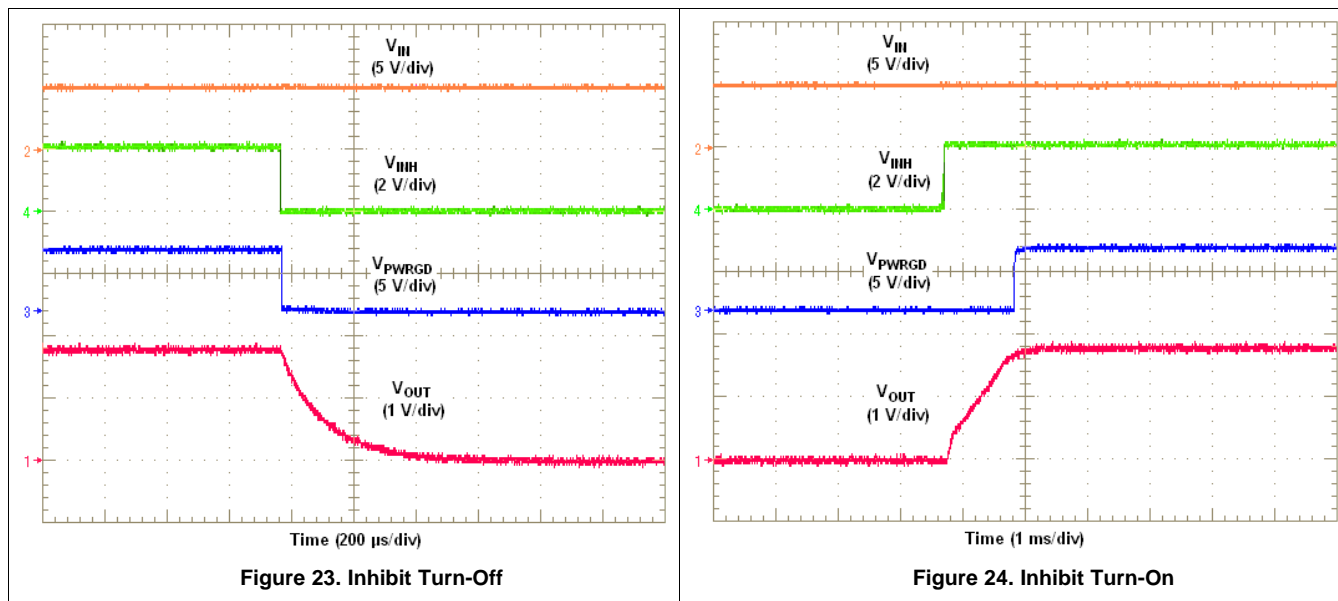


Figure 22. Typical Inhibit Control



### 6.9 Slow Start (SS/TR)

Connecting the STSEL pin to AGND and leaving SS/TR pin open enables the internal SS capacitor with a slow start interval of approximately 1.1 ms. Adding additional capacitance between the SS pin and AGND increases the slow start time. [Table 7](#) shows an additional SS capacitor connected to the SS/TR pin and the STSEL pin connected to AGND. See [Table 7](#) below for SS capacitor values and timing interval.

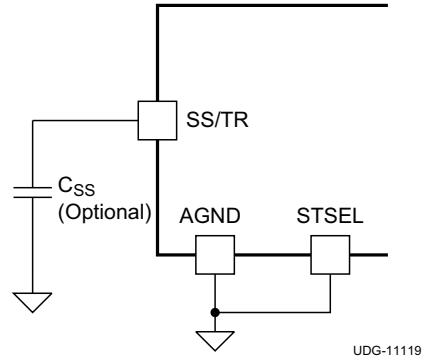


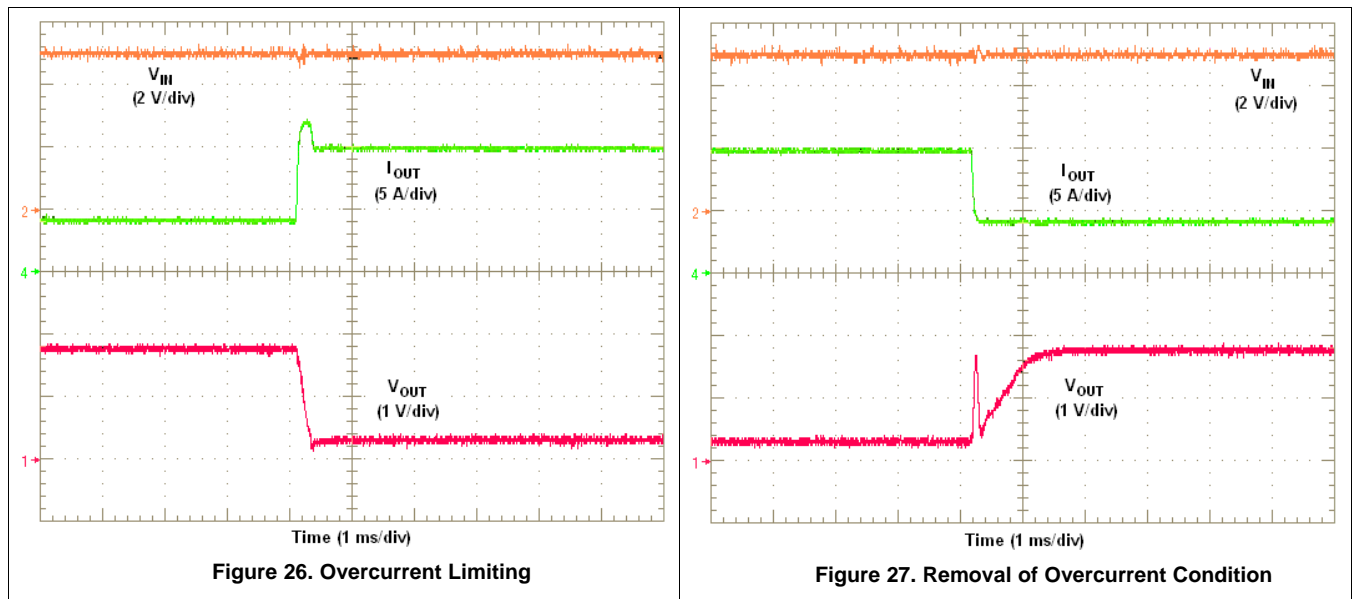
Figure 25. Slow-Start Capacitor ( $C_{SS}$ ) and STSEL Connection

Table 7. Slow-Start Capacitor Values and Slow-Start Time

$C_{SS}$ (pF)	open	2200	4700	10000	15000	22000	25000
SS Time (msec)	1.1	1.9	2.8	4.6	6.4	8.8	9.8

### 6.10 Overcurrent Protection

For protection against load faults, the TPS84410 uses current limiting. The device is protected from overcurrent conditions by cycle-by-cycle current limiting and frequency foldback. During an overcurrent condition the output current is limited and the output voltage is reduced, as shown in [Figure 26](#). When the overcurrent condition is removed, the output voltage returns to the established voltage, as shown in [Figure 27](#).



### 6.11 Synchronization (CLK)

An internal phase locked loop (PLL) has been implemented to allow synchronization between 500 kHz and 2 MHz, and to easily switch from RT mode to CLK mode. To implement the synchronization feature, connect a square wave clock signal to the RT/CLK pin with a minimum pulse width of 75 ns. The maximum clock pulse width must be calculated using Equation 2. The clock signal amplitude must transition lower than 0.4 V and higher than 2.2 V. The start of the switching cycle is synchronized to the falling edge of RT/CLK pin. In applications where both RT mode and CLK mode are needed, the device can be configured as shown in Figure 28.

Before the external clock is present, the device works in RT mode and the switching frequency is set by RT resistor (R<sub>RT</sub>). When the external clock is present, the CLK mode overrides the RT mode. The device switches from RT mode to CLK mode and the RT/CLK pin becomes high impedance as the PLL starts to lock onto the frequency of the external clock. The device will lock to the external clock frequency approximately 15 μs after a valid clock signal is present. It is not recommended to switch from CLK mode back to RT mode because the internal switching frequency drops to a lower frequency before returning to the switching frequency set by the RT resistor.

$$CLK\_PW_{MAX} = \frac{0.75 \times \left(1 - \frac{V_{OUT}}{V_{IN(min)}}\right)}{f_{SW}} \quad (2)$$

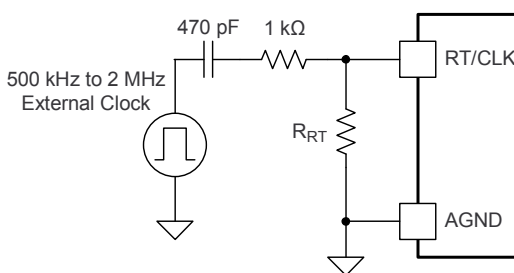


Figure 28. CLK/RT Configuration

The synchronization frequency must be selected based on the output voltages of the devices being synchronized. Table 8 shows the allowable frequencies for a given range of output voltages based on a resistive load. 5V input applications requiring 3.5A or less can synchronize to a wider frequency range. For the most efficient solution, always synchronize to the lowest allowable frequency. For example, an application requires synchronizing three TPS84410 devices with output voltages of 1.2V@3.7A, 1.8@2.5A and 3.3V@ 2.1A, all powered from VIN = 5V. Table 8 shows that all three output voltages can be synchronized to any frequency between 750 kHz to 1 MHz. For best efficiency, choose 750 kHz as the synchronization frequency.

Table 8. Synchronization Frequency vs Output Voltage

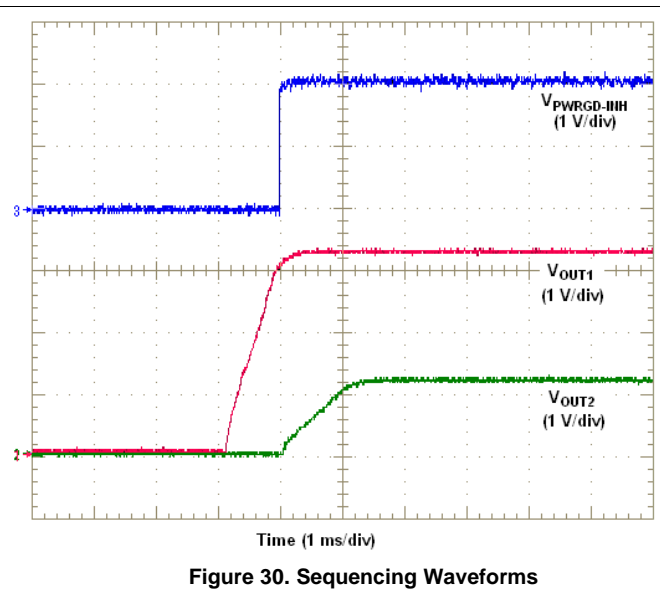
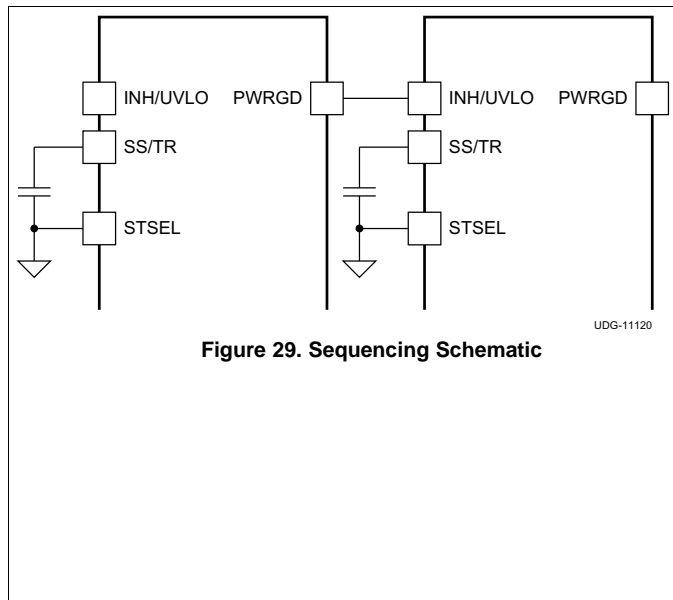
SYNCHRONIZATION FREQUENCY (kHz)	R <sub>RT</sub> (kΩ)	VIN = 5 V				VIN = 3.3 V	
		I <sub>OUT</sub> ≤ 3.5 A		I <sub>OUT</sub> > 3.5 A		All I <sub>OUT</sub>	
		V <sub>OUT</sub> RANGE (V)		V <sub>OUT</sub> RANGE (V)		V <sub>OUT</sub> RANGE (V)	
		MIN	MAX	MIN	MAX	MIN	MAX
500	open	0.8	1.4	0.8	1.0	0.8	2.2
550	3400	0.8	1.6	0.8	1.1	0.8	2.4
600	1800	0.8	1.8	0.8	1.2	0.8	2.5
650	1200	0.8	2.1	0.8	1.4	0.8	2.5
700	887	0.8	2.6	0.8	1.6	0.8	2.5
750	715	0.9	3.6	0.9	1.8	0.8	2.5
800	590	0.9	3.6	0.9	2.1	0.8	2.5
900	511	1.0	3.6	1.0	3.6	0.8	2.5
1000	348	1.2	3.6	1.2	3.6	0.8	2.4
1250	232	1.4	3.6	1.4	3.6	1.0	2.4
1500	174	1.7	3.6	1.7	3.6	1.1	2.3
1750	137	2.0	3.6	2.0	3.6	1.3	2.2

**Table 8. Synchronization Frequency vs Output Voltage (continued)**

SYNCHRONIZATION FREQUENCY (kHz)	R <sub>RT</sub> (kΩ)	VIN = 5 V				VIN = 3.3 V	
		I <sub>OUT</sub> ≤ 3.5 A		I <sub>OUT</sub> > 3.5 A		All I <sub>OUT</sub>	
		V <sub>OUT</sub> RANGE (V)		V <sub>OUT</sub> RANGE (V)		V <sub>OUT</sub> RANGE (V)	
		MIN	MAX	MIN	MAX	MIN	MAX
2000	113	2.3	3.4	2.3	3.3	1.5	2.2

### 6.12 Sequencing (SS/TR)

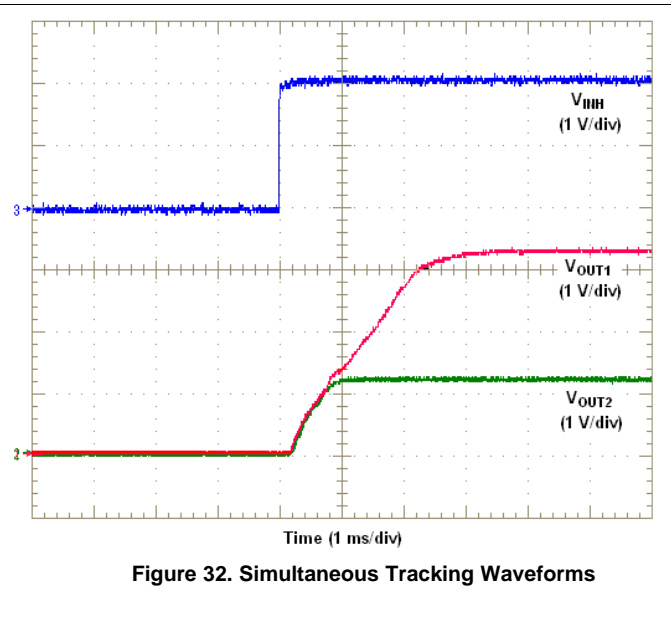
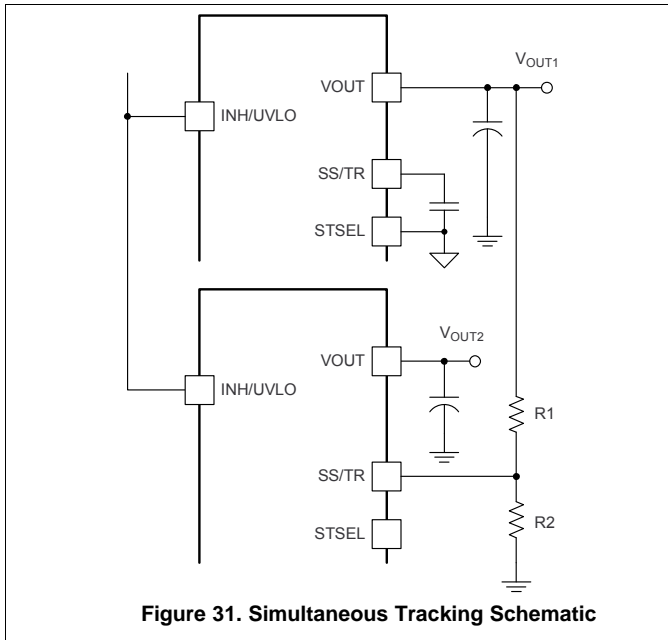
Many of the common power supply sequencing methods can be implemented using the SS/TR, INH and PWRGD pins. The sequential method is illustrated in Figure 29 using two TPS84410 devices. The PWRGD pin of the first device is coupled to the INH pin of the second device which enables the second power supply once the primary supply reaches regulation. Do not place a pull-up resistor on PWRGD in this configuration. Figure 30 shows sequential turn-on waveforms of two TPS84410 devices.



Simultaneous power supply sequencing can be implemented by connecting the resistor network of R1 and R2 shown in Figure 31 to the output of the power supply that needs to be tracked or to another voltage reference source. Figure 32 shows simultaneous turn-on waveforms of two TPS84410 devices. Use Equation 3 and Equation 4 to calculate the values of R1 and R2.

$$R1 = \frac{(V_{OUT2} \times 12.6)}{0.803} \text{ (k}\Omega\text{)} \tag{3}$$

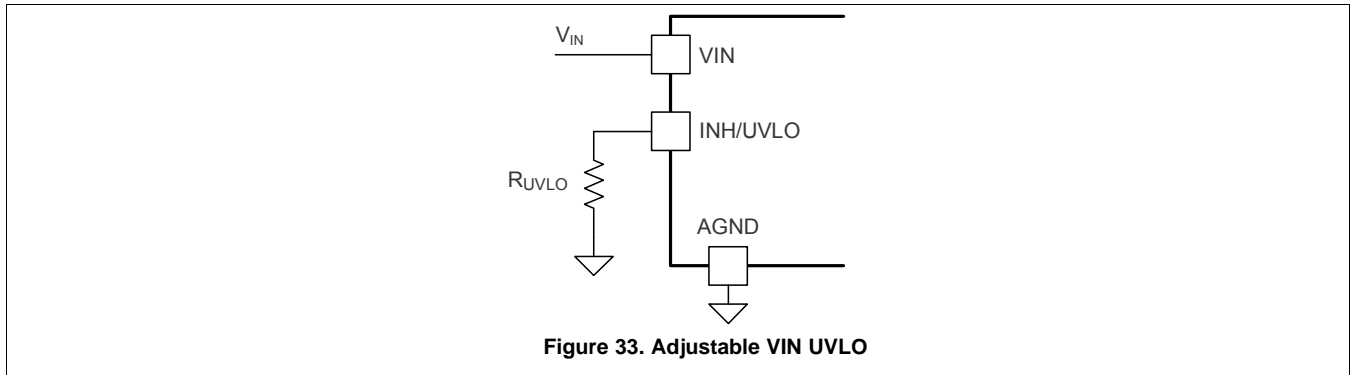
$$R2 = \frac{0.803 \times R1}{(V_{OUT2} - 0.803)} \text{ (k}\Omega\text{)} \tag{4}$$



### 6.13 Programmable Undervoltage Lockout (UVLO)

The TPS84410 implements internal UVLO circuitry on the VIN pin. The device is disabled when the VIN pin voltage falls below the internal VIN UVLO threshold. The internal VIN UVLO rising threshold is 3.135 V (max) with a typical hysteresis of 300 mV.

If an application requires a higher UVLO threshold on the VIN pin, the UVLO pin can be configured as shown in Figure 33. Table 9 lists standard values for  $R_{UVLO}$  to adjust the VIN UVLO voltage up.



**Table 9. Standard Resistor values for Adjusting VIN UVLO**

VIN UVLO (V) (typ)	3.25	3.5	3.75	4.0	4.25	4.5	4.75
$R_{UVLO}$ (k $\Omega$ )	294	133	86.6	63.4	49.9	42.2	35.7
Hysteresis (mV)	325	335	345	355	365	375	385

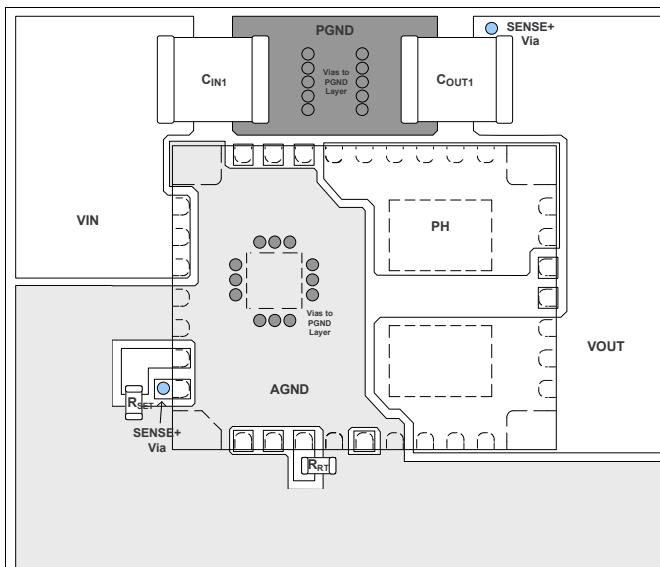
### 6.14 Thermal Shutdown

The internal thermal shutdown circuitry forces the device to stop switching if the junction temperature exceeds 175°C typically. The device reinitiates the power up sequence when the junction temperature drops below 160°C typically.

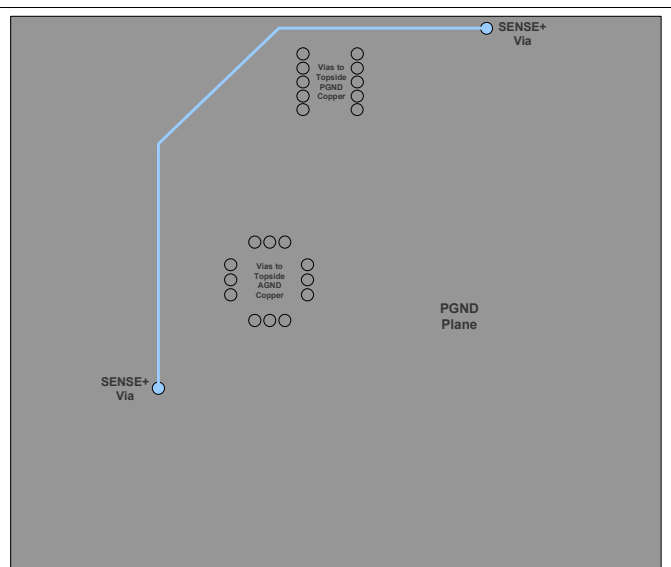
## 6.15 Layout Guidelines

To achieve optimal electrical and thermal performance, an optimized PCB layout is required. [Figure 34](#), shows a typical PCB layout. Some considerations for an optimized layout are:

- Use large copper areas for power planes (VIN, VOUT, and PGND) to minimize conduction loss and thermal stress.
- Place ceramic input and output capacitors close to the module pins to minimize high frequency noise.
- Locate additional output capacitors between the ceramic capacitor and the load.
- Place a dedicated AGND copper area beneath the TPS84410.
- Connect the AGND and PGND copper area at one point; directly at the pin 37 PowerPad using multiple vias.
- Place  $R_{SET}$ ,  $R_{RT}$ , and  $C_{SS}$  as close as possible to their respective pins.
- Use multiple vias to connect the power planes to internal layers.



**Figure 34. Typical Top-Layer Recommended Layout**



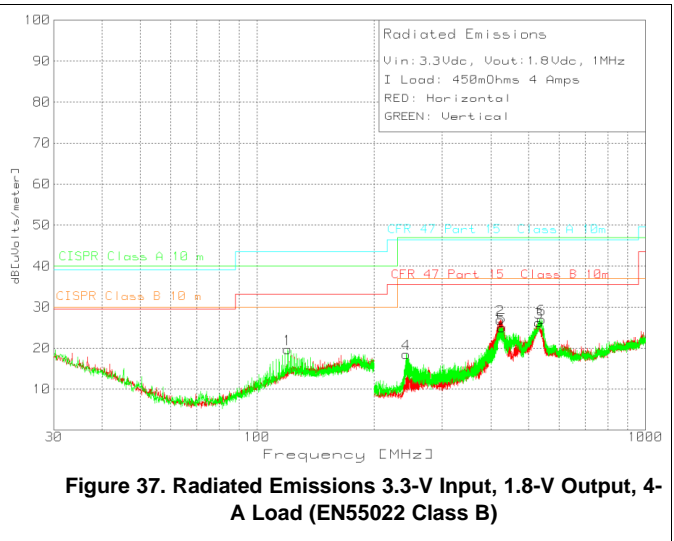
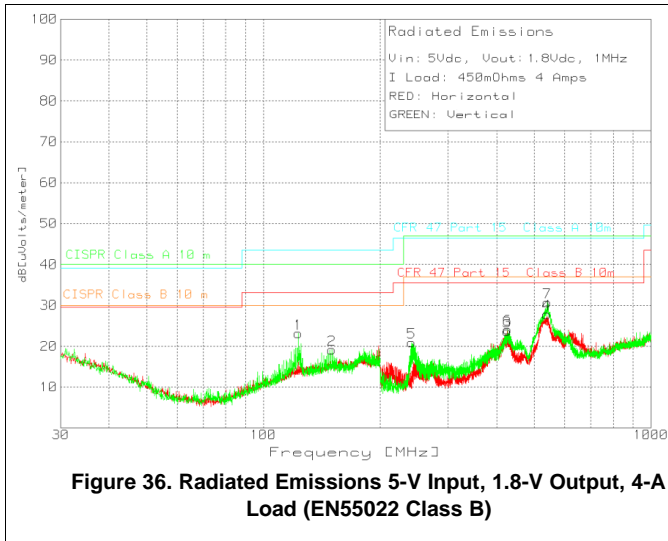
**Figure 35. Typical PGND-Layer Recommended Layout**

## 6.16 EMI

The TPS84410 is compliant with EN55022 Class B radiated emissions. [Figure 36](#) and [Figure 37](#) show typical examples of radiated emissions plots for the TPS84410 operating from 5V and 3.3V respectively. Both graphs include the plots of the antenna in the horizontal and vertical positions.



**EMI (continued)**



## 7 Revision History

NOTE: Page numbers for previous revisions may differ from page numbers in the current version.

<b>Changes from Revision B (June 2017) to Revision C</b>	<b>Page</b>
<ul style="list-style-type: none"> <li>• Increased the peak reflow temperature and maximum number of reflows to JEDEC specifications for improved manufacturability.....</li> </ul>	2
<ul style="list-style-type: none"> <li>• 追加 「デバイスおよびドキュメントのサポート」 セクション.....</li> </ul>	27
<ul style="list-style-type: none"> <li>• 追加 「メカニカル、パッケージ、および注文情報」 セクション.....</li> </ul>	27

<b>Changes from Revision A (March 2012) to Revision B</b>	<b>Page</b>
<ul style="list-style-type: none"> <li>• Added peak reflow and maximum number of reflows information .....</li> </ul>	2

<b>Changes from Original (September 2011) to Revision A</b>	<b>Page</b>
<ul style="list-style-type: none"> <li>• Changed the voltage range values in <a href="#">Table 8</a> .....</li> </ul>	19

## 8 デバイスおよびドキュメントのサポート

### 8.1 ドキュメントの更新通知を受け取る方法

ドキュメントの更新についての通知を受け取るには、[ti.com](http://ti.com)のデバイス製品フォルダを開いてください。右上の隅にある「通知を受け取る」をクリックして登録すると、変更されたすべての製品情報に関するダイジェストを毎週受け取れます。変更の詳細については、修正されたドキュメントに含まれている改訂履歴をご覧ください。

### 8.2 コミュニティ・リソース

The following links connect to TI community resources. Linked contents are provided "AS IS" by the respective contributors. They do not constitute TI specifications and do not necessarily reflect TI's views; see TI's [Terms of Use](#).

**TI E2E™オンライン・コミュニティ** TIのE2E ( *Engineer-to-Engineer* ) コミュニティ。エンジニア間の共同作業を促進するために開設されたものです。e2e.ti.comでは、他のエンジニアに質問し、知識を共有し、アイデアを検討して、問題解決に役立てることができます。

**設計サポート** TIの設計サポート役に立つE2Eフォーラムや、設計サポート・ツールをすばやく見つけることができます。技術サポート用の連絡先情報も参照できます。

### 8.3 商標

E2E is a trademark of Texas Instruments.

### 8.4 静電気放電に関する注意事項



これらのデバイスは、限定的なESD (静電破壊)保護機能を内蔵しています。保存時または取り扱い時は、MOSゲートに対する静電破壊を防止するために、リード線同士をショートさせておくか、デバイスを導電フォームに入れる必要があります。

### 8.5 Glossary

[SLYZ022](#) — *TI Glossary*.

This glossary lists and explains terms, acronyms, and definitions.

## 9 メカニカル、パッケージ、および注文情報

以降のページには、メカニカル、パッケージ、および注文に関する情報が記載されています。これらの情報は、指定のデバイスに対して提供されている最新のデータです。このデータは予告なく変更されることがあり、ドキュメントが改訂される場合もあります。本データシートのブラウザ版を使用されている場合は、画面左側の説明をご覧ください。

**PACKAGING INFORMATION**

Orderable Device	Status (1)	Package Type	Package Drawing	Pins	Package Qty	Eco Plan (2)	Lead/Ball Finish (6)	MSL Peak Temp (3)	Op Temp (°C)	Device Marking (4/5)	Samples
TPS84410RKGR	ACTIVE	B1QFN	RKG	39	500	RoHS Exempt & Green	NIPDAU	Level-3-250C-168 HR	-40 to 85	TPS84410	<a href="#">Samples</a>
TPS84410RKGT	ACTIVE	B1QFN	RKG	39	250	RoHS Exempt & Green	NIPDAU	Level-3-250C-168 HR	-40 to 85	TPS84410	<a href="#">Samples</a>

(1) The marketing status values are defined as follows:

**ACTIVE:** Product device recommended for new designs.

**LIFEBUY:** TI has announced that the device will be discontinued, and a lifetime-buy period is in effect.

**NRND:** Not recommended for new designs. Device is in production to support existing customers, but TI does not recommend using this part in a new design.

**PREVIEW:** Device has been announced but is not in production. Samples may or may not be available.

**OBSOLETE:** TI has discontinued the production of the device.

(2) **RoHS:** TI defines "RoHS" to mean semiconductor products that are compliant with the current EU RoHS requirements for all 10 RoHS substances, including the requirement that RoHS substance do not exceed 0.1% by weight in homogeneous materials. Where designed to be soldered at high temperatures, "RoHS" products are suitable for use in specified lead-free processes. TI may reference these types of products as "Pb-Free".

**RoHS Exempt:** TI defines "RoHS Exempt" to mean products that contain lead but are compliant with EU RoHS pursuant to a specific EU RoHS exemption.

**Green:** TI defines "Green" to mean the content of Chlorine (Cl) and Bromine (Br) based flame retardants meet JS709B low halogen requirements of <=1000ppm threshold. Antimony trioxide based flame retardants must also meet the <=1000ppm threshold requirement.

(3) MSL, Peak Temp. - The Moisture Sensitivity Level rating according to the JEDEC industry standard classifications, and peak solder temperature.

(4) There may be additional marking, which relates to the logo, the lot trace code information, or the environmental category on the device.

(5) Multiple Device Markings will be inside parentheses. Only one Device Marking contained in parentheses and separated by a "~" will appear on a device. If a line is indented then it is a continuation of the previous line and the two combined represent the entire Device Marking for that device.

(6) Lead/Ball Finish - Orderable Devices may have multiple material finish options. Finish options are separated by a vertical ruled line. Lead/Ball Finish values may wrap to two lines if the finish value exceeds the maximum column width.

**Important Information and Disclaimer:**The information provided on this page represents TI's knowledge and belief as of the date that it is provided. TI bases its knowledge and belief on information provided by third parties, and makes no representation or warranty as to the accuracy of such information. Efforts are underway to better integrate information from third parties. TI has taken and continues to take reasonable steps to provide representative and accurate information but may not have conducted destructive testing or chemical analysis on incoming materials and chemicals. TI and TI suppliers consider certain information to be proprietary, and thus CAS numbers and other limited information may not be available for release.

In no event shall TI's liability arising out of such information exceed the total purchase price of the TI part(s) at issue in this document sold by TI to Customer on an annual basis.



**TAPE AND REEL INFORMATION**

**QUADRANT ASSIGNMENTS FOR PIN 1 ORIENTATION IN TAPE**


\*All dimensions are nominal

Device	Package Type	Package Drawing	Pins	SPQ	Reel Diameter (mm)	Reel Width W1 (mm)	A0 (mm)	B0 (mm)	K0 (mm)	P1 (mm)	W (mm)	Pin1 Quadrant
TPS84410RKGR	B1QFN	RKG	39	500	330.0	24.4	9.35	11.35	3.1	16.0	24.0	Q1
TPS84410RKGT	B1QFN	RKG	39	250	330.0	24.4	9.35	11.35	3.1	16.0	24.0	Q1

**TAPE AND REEL BOX DIMENSIONS**

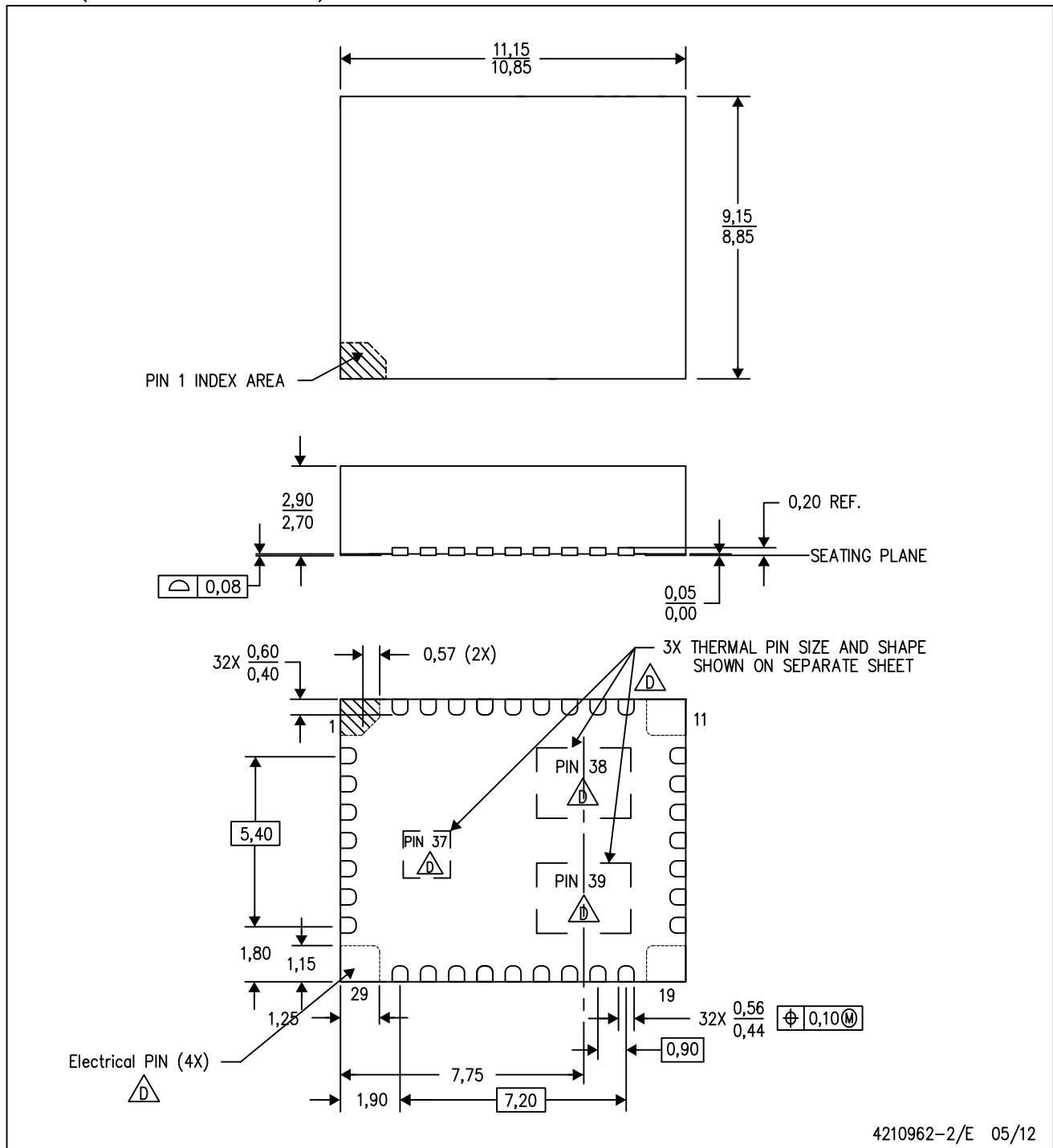

\*All dimensions are nominal

Device	Package Type	Package Drawing	Pins	SPQ	Length (mm)	Width (mm)	Height (mm)
TPS84410RKGR	B1QFN	RKG	39	500	383.0	353.0	58.0
TPS84410RKGT	B1QFN	RKG	39	250	383.0	353.0	58.0

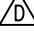

# MECHANICAL DATA

RKG (R-PB1QFN-N39)

PLASTIC QUAD FLATPACK NO-LEAD



4210962-2/E 05/12

- NOTES:
- A. All linear dimensions are in millimeters. Dimensioning and tolerancing per ASME Y14.5M-1994.
  - B. This drawing is subject to change without notice.
  - C. Quad Flatpack, No-leads (QFN) package configuration.
  -  D. The package thermal pad must be soldered to the board for thermal and mechanical performance.
  - E. See the additional figure in the Product Data Sheet for details regarding the exposed thermal pad features and dimensions.
  -  F. The package thermal performance may be enhanced by bonding the thermal pad to an external thermal plane.



# THERMAL PAD MECHANICAL DATA

RKG (R-PQFN-N39)

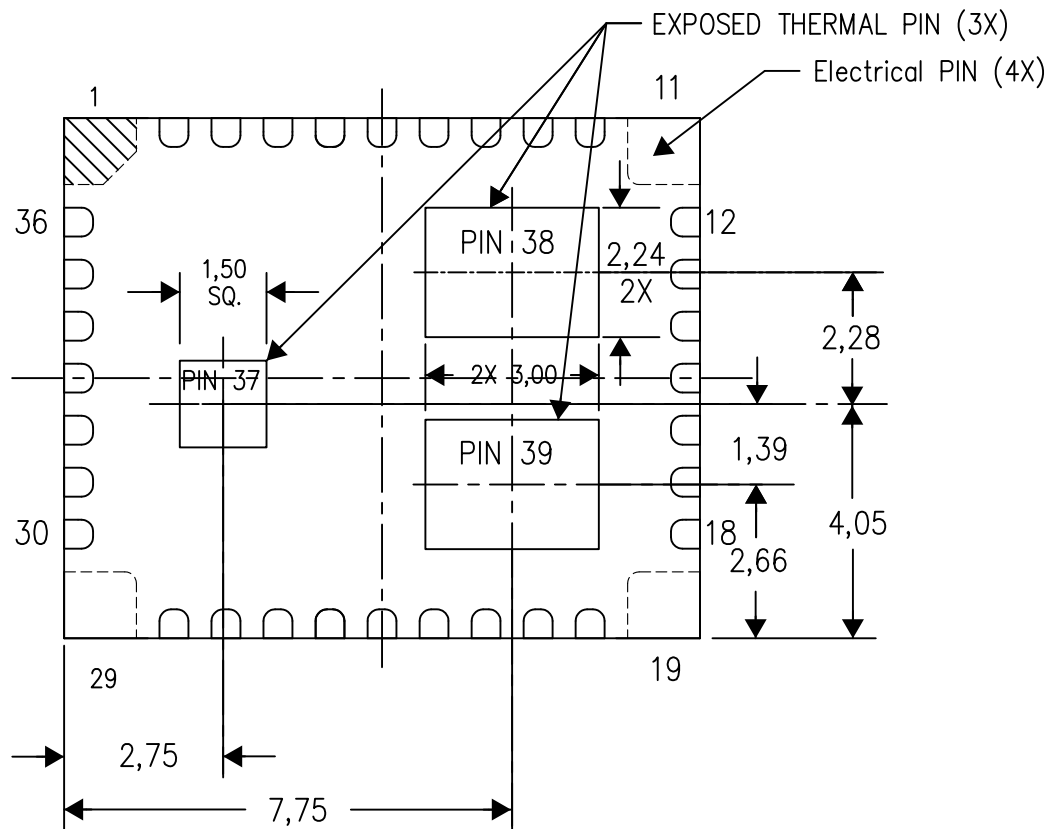
PLASTIC QUAD FLATPACK NO-LEAD

## THERMAL INFORMATION

This package incorporates an exposed thermal pad that is designed to be attached directly to an external heatsink. The thermal pad must be soldered directly to the printed circuit board (PCB). After soldering, the PCB can be used as a heatsink. In addition, through the use of thermal vias, the thermal pad can be attached directly to the appropriate copper plane shown in the electrical schematic for the device, or alternatively, can be attached to a special heatsink structure designed into the PCB. This design optimizes the heat transfer from the integrated circuit (IC).

For information on the Quad Flatpack No-Lead (QFN) package and its advantages, refer to Application Report, QFN/SON PCB Attachment, Texas Instruments Literature No. SLUA271. This document is available at [www.ti.com](http://www.ti.com).

The exposed thermal pad dimensions for this package are shown in the following illustration.



Bottom View

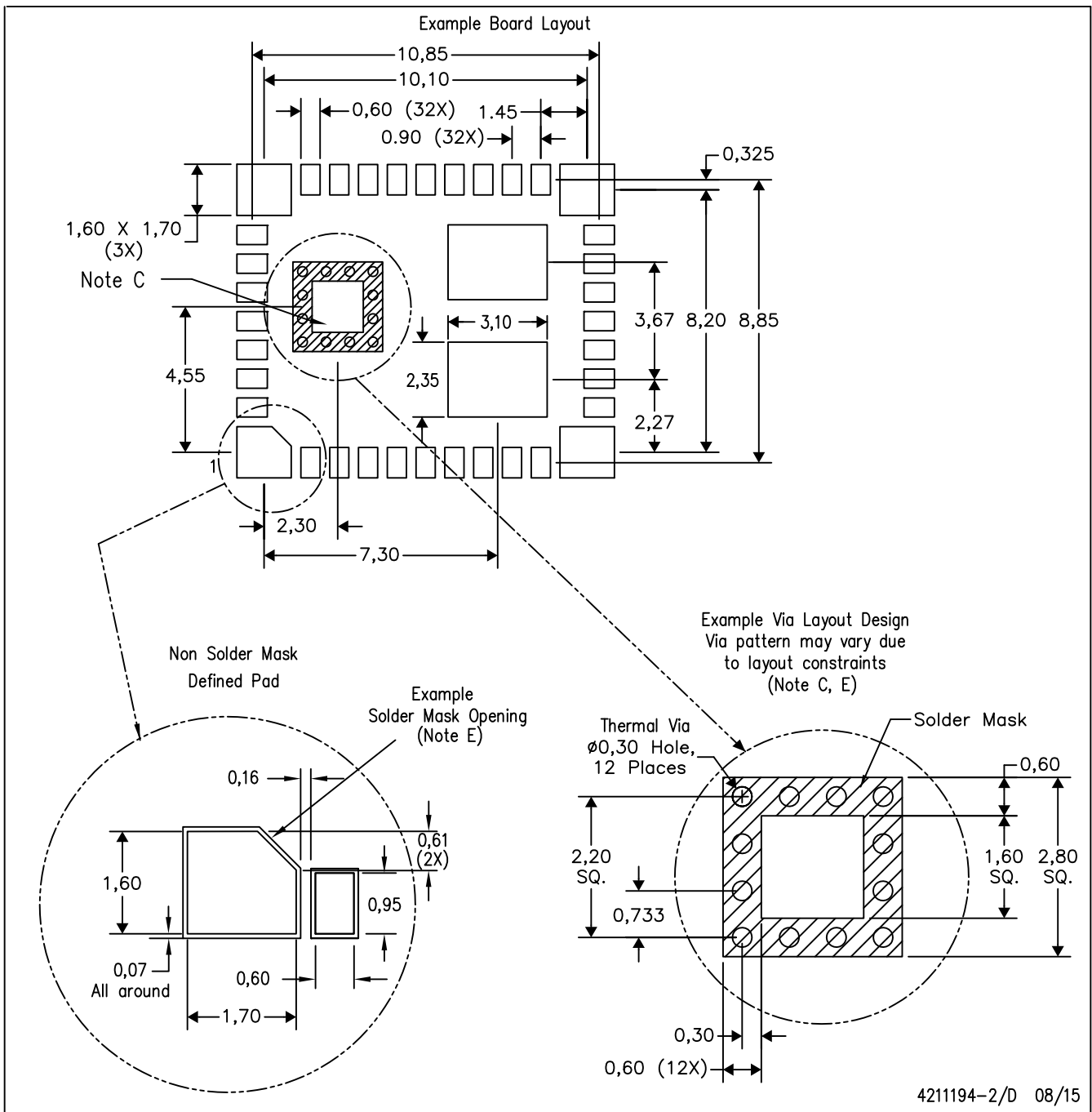
Exposed Thermal Pad Dimensions  
Thermal Pad Tolerance:  $\pm 0.10\text{mm}$

4211170-2/D 01/15

NOTE: A. All linear dimensions are in millimeters

RKG (S-PB1QFN-N39)

PLASTIC QUAD FLATPACK NO-LEAD

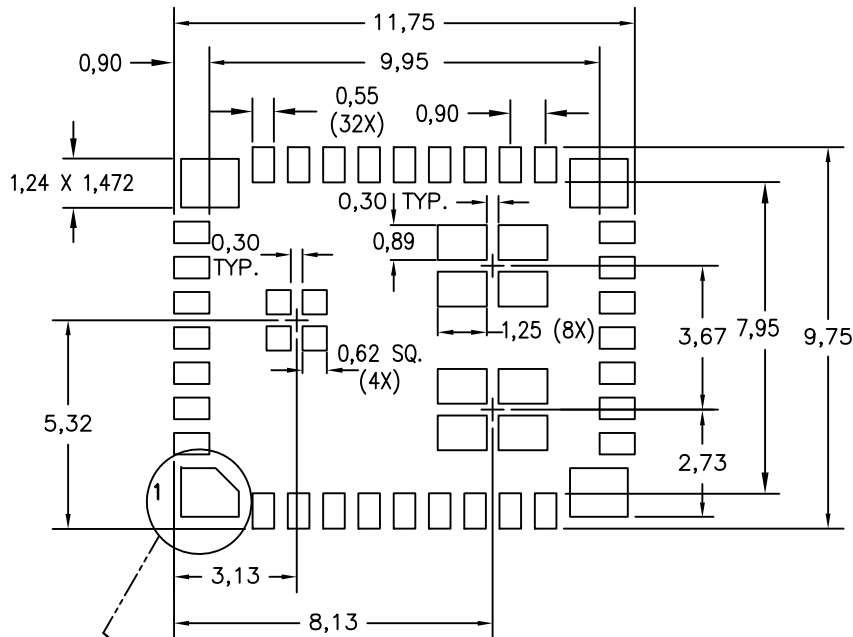


- NOTES:
- A. All linear dimensions are in millimeters.
  - B. This drawing is subject to change without notice.
  - C. This package is designed to be soldered to a thermal pad on the board. Refer to Application Note, Quad Flat-Pack Packages, Texas Instruments Literature No. SLUA271, and also the Product Data Sheets for specific thermal information, via requirements, and recommended board layout. These documents are available at [www.ti.com](http://www.ti.com) <<http://www.ti.com>>.
  - D. Laser cutting apertures with trapezoidal walls and also rounding corners will offer better paste release. Customers should contact their board assembly site for stencil design recommendations. Refer to IPC 7525 for stencil design considerations.
  - E. Customers should contact their board fabrication site for minimum solder mask web tolerances between signal pads.

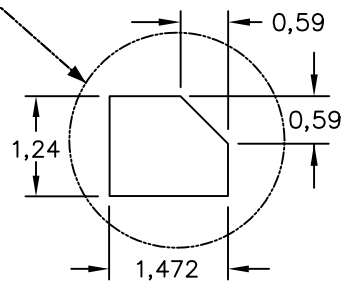
RKG (S-PB1QFN-N39)

PLASTIC QUAD FLATPACK NO-LEAD

Example Stencil Design (Note D)  
Stencil Thickness = 0,125mm



60% solder coverage on thermal pads



4211194-3/D 08/15

- NOTES:
- A. All linear dimensions are in millimeters.
  - B. This drawing is subject to change without notice.
  - C. This package is designed to be soldered to a thermal pad on the board. Refer to Application Note, Quad Flat-Pack Packages, Texas Instruments Literature No. SLUA271, and also the Product Data Sheets for specific thermal information, via requirements, and recommended board layout. These documents are available at [www.ti.com](http://www.ti.com) <<http://www.ti.com>>.
  - D. Laser cutting apertures with trapezoidal walls and also rounding corners will offer better paste release. Customers should contact their board assembly site for stencil design recommendations. Refer to IPC 7525 for stencil design considerations.
  - E. Customers should contact their board fabrication site for minimum solder mask web tolerances between signal pads.

## 重要なお知らせと免責事項

TI は、技術データと信頼性データ (データシートを含みます)、設計リソース (リファレンス・デザインを含みます)、アプリケーションや設計に関する各種アドバイス、Web ツール、安全性情報、その他のリソースを、欠陥が存在する可能性のある「現状のまま」提供しており、商品性および特定目的に対する適合性の黙示保証、第三者の知的財産権の非侵害保証を含むいかなる保証も、明示的または黙示的にかかわらず拒否します。

これらのリソースは、TI 製品を使用する設計の経験を積んだ開発者への提供を意図したものです。(1) お客様のアプリケーションに適した TI 製品の選定、(2) お客様のアプリケーションの設計、検証、試験、(3) お客様のアプリケーションが適用される各種規格や、その他のあらゆる安全性、セキュリティ、またはその他の要件を満たしていることを確実にする責任を、お客様のみが単独で負うものとします。上記の各種リソースは、予告なく変更される可能性があります。これらのリソースは、リソースで説明されている TI 製品を使用するアプリケーションの開発の目的でのみ、TI はその使用をお客様に許諾します。これらのリソースに関して、他の目的で複製することや掲載することは禁止されています。TI や第三者の知的財産権のライセンスが付与されている訳ではありません。お客様は、これらのリソースを自身で使用した結果発生するあらゆる申し立て、損害、費用、損失、責任について、TI およびその代理人を完全に補償するものとし、TI は一切の責任を拒否します。

TI の製品は、TI の販売約款 (<https://www.tij.co.jp/ja-jp/legal/terms-of-sale.html>)、または [ti.com](https://www.ti.com) やかかる TI 製品の関連資料などのいずれかを通じて提供する適用可能な条項の下で提供されています。TI がこれらのリソースを提供することは、適用される TI の保証または他の保証の放棄の拡大や変更を意味するものではありません。

日本語版 日本テキサス・インスツルメンツ合同会社  
Copyright © 2021, Texas Instruments Incorporated