

TS5A3159A 1Ω SPDTアナログ・スイッチ

5Vおよび3.3Vシングル・チャンネル2:1マルチプレクサ/デマルチプレクサ

1 特長

- Break-Before-Makeスイッチングを規定
- パワーダウン・モードでの絶縁、 $V_{+} = 0$
- TS5A3159デバイスと端子互換
- 低いオン抵抗(1Ω)
- 制御入力は5.5V許容
- 低い電荷注入
- 非常に優れたオン抵抗マッチング
- 低い全高調波歪(THD)
- 1.65V~5.5Vの単電源で動作
- JESD 78、Class II準拠で100mA超のラッチアップ性能
- ESD性能はJESDに準拠しテスト済み
 - 人体モデルで2000V (A114-B、クラスII)
 - 1000V、荷電デバイス・モデル(C101)

2 アプリケーション

- 携帯電話
- 携帯情報端末
- ポータブル機器
- オーディオおよびビデオ信号のルーティング
- 低電圧のデータ収集システム
- 通信用回路
- モデム
- ハードディスク
- コンピュータ・ペリフェラル
- ワイヤレス端末およびペリフェラル

3 概要

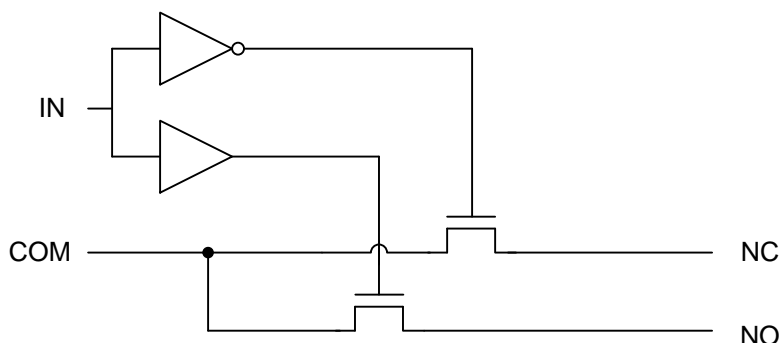
TS5A3159Aデバイスは単極双投(SPDT)アナログ・スイッチで、1.65V~5.5Vで動作するよう設計されています。このデバイスはオン抵抗が低く、オン抵抗マッチングが非常に優れており、Break-Before-Make機能によってチャンネル間の信号転送時に信号が歪むのを防ぎます。このデバイスは、全高調波歪(THD)性能が非常に優れており、極めて低消費電力です。これらの特長から、このデバイスは携帯用オーディオ・アプリケーションに適しています。

製品情報⁽¹⁾

| 型番 | パッケージ | 本体サイズ(公称) |
|---------------|------------|---------------|
| TS5A3159ADBVR | SOT-23 (6) | 2.90mm×1.60mm |
| TS5A3159ADCKR | SC70 (6) | 2.00mm×1.25mm |
| TS5A3159AYZPR | DSBGA (6) | 1.41mm×0.91mm |

(1) 提供されているすべてのパッケージについては、データシートの末尾にある注文情報を参照してください。

ブロック図



Copyright © 2018, Texas Instruments Incorporated



目次

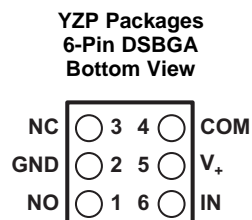
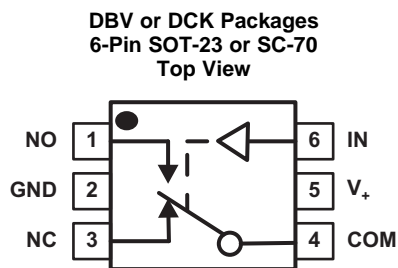
| | | | | | |
|-----|---|----|------|---|----|
| 1 | 特長 | 1 | 8.2 | Functional Block Diagram | 18 |
| 2 | アプリケーション | 1 | 8.3 | Feature Description | 18 |
| 3 | 概要 | 1 | 8.4 | Device Functional Modes | 18 |
| 4 | 改訂履歴 | 2 | 9 | Application and Implementation | 19 |
| 5 | Pin Configuration and Functions | 3 | 9.1 | Application Information | 19 |
| 6 | Specifications | 4 | 9.2 | Typical Application | 19 |
| 6.1 | Absolute Maximum Ratings | 4 | 10 | Power Supply Recommendations | 20 |
| 6.2 | ESD Ratings | 4 | 11 | Layout | 20 |
| 6.3 | Recommended Operating Conditions | 4 | 11.1 | Layout Guidelines | 20 |
| 6.4 | Thermal Information | 4 | 11.2 | Layout Example | 20 |
| 6.5 | Electrical Characteristics for 5-V Supply | 5 | 12 | デバイスおよびドキュメントのサポート | 21 |
| 6.6 | Electrical Characteristics for 3.3-V Supply | 6 | 12.1 | デバイス・サポート | 21 |
| 6.7 | Electrical Characteristics for 2.5-V Supply | 8 | 12.2 | ドキュメントのサポート | 22 |
| 6.8 | Electrical Characteristics for 1.8-V Supply | 9 | 12.3 | コミュニティ・リソース | 22 |
| 6.9 | Typical Characteristics | 11 | 12.4 | 商標 | 22 |
| 7 | Parameter Measurement Information | 14 | 12.5 | 静電気放電に関する注意事項 | 22 |
| 8 | Detailed Description | 18 | 12.6 | Glossary | 22 |
| 8.1 | Overview | 18 | 13 | メカニカル、パッケージ、および注文情報 | 22 |

4 改訂履歴

資料番号末尾の英字は改訂を表しています。その改訂履歴は英語版に準じています。

| | | |
|---|--|-------------|
| Revision E (November 2015) から Revision F に変更 | | Page |
| • | Changed the YZP package From: 8 Pins To: 6 Pins in the <i>Thermal Information</i> table | 4 |
| Revision D (June 2015) から Revision E に変更 | | Page |
| • | Changed Pin Descriptions | 3 |
| Revision C (May 2010) から Revision D に変更 | | Page |
| • | 「アプリケーション」セクション、「製品情報」表、「ピン機能」表、「ESD定格」表、「熱に関する情報」表、「代表的特性」セクション、「機能説明」セクション、「デバイスの機能モード」セクション、「アプリケーションと実装」セクション、「電源に関する推奨事項」セクション、「レイアウト」セクション、「デバイスおよびドキュメントのサポート」セクション、「メカニカル、パッケージ、および注文情報」セクションを追加 | 1 |

5 Pin Configuration and Functions



NO – Normally open
NC – Normally closed

Pin Functions

| NAME | PIN | | I/O | DESCRIPTION |
|------|------------------|-------|-----|--|
| | SOT-23, SC-70 | DSBGA | | |
| COM | 4 | C2 | I/O | Common switch port |
| GND | 2 | B1 | — | Ground |
| IN | 6 | A2 | I/O | Switch select. High = COM connected to NO; Low = COM connected to NC |
| NC | 3 | C1 | I/O | Normally closed switched port |
| NO | 1 | A1 | — | Normally open switch port |
| V+ | 5 | B2 | I | Power supply |

6 Specifications

6.1 Absolute Maximum Ratings

 over operating free-air temperature range (unless otherwise noted)⁽¹⁾⁽²⁾

| | | MIN | MAX | UNIT |
|--|---|--|----------------------|------|
| V ₊ | Supply voltage ⁽³⁾ | -0.5 | 6.5 | V |
| V _{NO} , V _{NC} , V _{COM} | Analog voltage ⁽³⁾⁽⁴⁾⁽⁵⁾ | -0.5 | V ₊ + 0.5 | V |
| I _K | Analog port diode current | V _{NC} , V _{NO} , V _{COM} < 0 | | mA |
| I _{NO} , I _{NC} , I _{COM} | ON-state switch current | -200 | 200 | mA |
| | ON-state peak switch current ⁽⁶⁾ | V _{NO} , V _{NC} , V _{COM} = 0 to V ₊ | | mA |
| V _I | Digital input voltage ⁽³⁾⁽⁴⁾ | -0.5 | 6.5 | V |
| I _{IK} | Digital input clamp current | V _I < 0 | | mA |
| I ₊ | Continuous current through V ₊ | | 100 | mA |
| I _{GND} | Continuous current through GND | -100 | 100 | mA |
| T _A | Absolute maximum operating temperature ⁽⁷⁾ | DBV or DCK package | | °C |
| | | YZP package | | |

- (1) Stresses beyond those listed under *Absolute Maximum Ratings* may cause permanent damage to the device. These are stress ratings only, and functional operation of the device at these or any other conditions beyond those indicated under *Recommended Operating Conditions* is not implied. Exposure to absolute-maximum-rated conditions for extended periods may affect device reliability.
- (2) The algebraic convention, whereby the most negative value is a minimum and the most positive value is a maximum.
- (3) All voltages are with respect to ground, unless otherwise specified.
- (4) The input and output voltage ratings may be exceeded if the input and output clamp-current ratings are observed.
- (5) This value is limited to 5.5 V maximum.
- (6) Pulse at 1-ms duration <10% duty cycle.
- (7) The lifetime of the device will be reduced if the device operates continually at this temperature.

6.2 ESD Ratings

| | | VALUE | UNIT |
|--------------------|-------------------------|--|------|
| V _(ESD) | Electrostatic discharge | Human-body model (HBM), per ANSI/ESDA/JEDEC JS-001 ⁽¹⁾ | V |
| | | Charged-device model (CDM), per JEDEC specification JESD22-C101 ⁽²⁾ | |

- (1) JEDEC document JEP155 states that 500-V HBM allows safe manufacturing with a standard ESD control process.
- (2) JEDEC document JEP157 states that 250-V CDM allows safe manufacturing with a standard ESD control process.

6.3 Recommended Operating Conditions

over operating free-air temperature range (unless otherwise noted)

| | | MIN | MAX | UNIT |
|-----------------|-----------------------------|------|----------------|------|
| V _{IO} | Switch input/output voltage | 0 | V ₊ | V |
| V ₊ | Supply voltage | 1.65 | 5.5 | V |
| V _I | Control input voltage | 0 | 5.5 | V |
| T _A | Operating temperature | -40 | 85 | °C |

6.4 Thermal Information

| THERMAL METRIC ⁽¹⁾ | TS5A3159A | | | UNIT | |
|-------------------------------|--|-------------|-------------|------|------|
| | DBV (SOT-23) | DCK (SC-70) | YZP (DSBGA) | | |
| | 6 PINS | 6 PINS | 6 PINS | | |
| R _{θJA} | Junction-to-ambient thermal resistance | 165 | 259 | 123 | °C/W |

- (1) For more information about traditional and new thermal metrics, see the *Semiconductor and IC Package Thermal Metrics* application report, [SPRA953](http://www.ti.com/lit/zip/Spra953).

6.5 Electrical Characteristics for 5-V Supply

 $V_+ = 4.5 \text{ V to } 5.5 \text{ V}$, $T = -40^\circ\text{C to } 85^\circ\text{C}$ (unless otherwise noted)⁽¹⁾

| PARAMETER | | TEST CONDITIONS | | T _A | V ₊ | MIN | TYP | MAX | UNIT | |
|--|--|---|--|----------------|----------------|----------------|------|----------------|------|------|
| ANALOG SWITCH | | | | | | | | | | |
| V _{COM} , V _{NO} , V _{NC} | | Analog signal | | | | 0 | | V ₊ | V | |
| r _{peak} | Peak ON resistance | 0 ≤ (V _{NO} or V _{NC}) ≤ V ₊ , I _{COM} = -100 mA, | Switch on, see Figure 14 | 25°C | 4.5 V | | 0.8 | 1.1 | Ω | |
| | | | | Full | | | 1.5 | | | |
| r _{on} | ON-state resistance | V _{NO} or V _{NC} = 2.5 V, I _{COM} = -100 mA, | Switch on, see Figure 14 | 25°C | 4.5 V | | 0.7 | 0.9 | Ω | |
| | | | | Full | | | 1.1 | | | |
| Δr _{on} | ON-state resistance match between channels | V _{NO} or V _{NC} = 2.5 V, I _{COM} = -100 mA, | Switch on, see Figure 14 | 25°C | 4.5 V | | 0.05 | 0.1 | Ω | |
| | | | | Full | | | 0.1 | | | |
| r _{on(flat)} | ON-state resistance flatness | 0 ≤ (V _{NO} or V _{NC}) ≤ V ₊ , I _{COM} = -100 mA, | Switch on, see Figure 14 | 25°C | 4.5 V | | 0.15 | | Ω | |
| | | | | 25°C | | | Full | 0.1 | | 0.25 |
| | | | | Full | | | | 0.25 | | |
| I _{NC(OFF)} , I _{NO(OFF)} | NC, NO OFF leakage current | V _{NC} or V _{NO} = 1 V, V _{COM} = 1 V to 4.5 V, or V _{NC} or V _{NO} = 4.5 V, V _{COM} = 1 V to 4.5 V, | Switch off, see Figure 15 | 25°C | 5.5 V | -20 | 2 | 20 | nA | |
| | | | | Full | | -100 | 100 | | | |
| I _{NC(PWROFF)} , I _{NO(PWROFF)} | | V _{NC} or V _{NO} = 0 to 5.5 V, V _{COM} = 5.5 V to 0, | Switch off, see Figure 15 | 25°C | 0 V | -1 | 0.2 | 1 | μA | |
| | | | | Full | | -20 | 20 | | | |
| I _{NC(ON)} , I _{NO(ON)} | NC, NO ON leakage current | V _{NC} or V _{NO} = 1 V, V _{COM} = Open, or V _{NC} or V _{NO} = 4.5 V, V _{COM} = Open, | Switch on, see Figure 16 | 25°C | 5.5 V | -20 | 2 | 20 | nA | |
| | | | | Full | | -100 | 100 | | | |
| I _{COM(PWROFF)} | COM OFF leakage current | V _{NC} or V _{NO} = 0 to 5.5 V, V _{COM} = 5.5 V to 0, | Switch off, see Figure 15 | 25°C | 0 V | -1 | 0.1 | 1 | μA | |
| | | | | Full | | -20 | 20 | | | |
| I _{COM(ON)} | COM ON leakage current | V _{NC} or V _{NO} = Open, V _{COM} = 1 V, or V _{NC} or V _{NO} = Open, V _{COM} = 4.5 V, | Switch on, see Figure 16 | 25°C | 5.5 V | -20 | 2 | 20 | nA | |
| | | | | Full | | -100 | 100 | | | |
| DIGITAL INPUT (IN) | | | | | | | | | | |
| V _{IH} | Input logic high | | | Full | | 2.4 | | 5.5 | V | |
| V _{IL} | Input logic low | | | Full | | 0 | | 0.8 | | |
| I _{IH} , I _{IL} | Input leakage current | V _I = 5.5 V or 0 | | 25°C | 5.5 V | -2 | | 2 | nA | |
| | | | | Full | | 100 | 100 | | | |
| DYNAMIC | | | | | | | | | | |
| t _{ON} | Turnon time | V _{COM} = V ₊ , R _L = 50 Ω, | C _L = 35 pF, see Figure 18 | 25°C | 5 V | 1 | 12 | 30 | ns | |
| | | | | Full | | 4.5 V to 5.5 V | 1 | 35 | | |
| t _{OFF} | Turnoff time | V _{COM} = V ₊ , R _L = 50 Ω, | C _L = 35 pF, see Figure 18 | 25°C | 5 V | 1 | 5 | 20 | ns | |
| | | | | Full | | 4.5 V to 5.5 V | 1 | 30 | | |
| t _{BBM} | Break-before-make time | V _{NC} = V _{NO} = V ₊ , R _L = 50 Ω, | C _L = 35 pF, see Figure 19 | 25°C | 5 V | 6 | | ns | | |
| | | | | Full | | 4.5 V to 5.5 V | 1 | | 20 | |
| Q _C | Charge injection | V _{GEN} = 0, R _{GEN} = 0, | C _L = 1 nF, see Figure 23 | 25°C | 5 V | -20 | | pC | | |
| C _{NC(OFF)} , C _{NO(OFF)} | NC, NO OFF capacitance | V _{NC} or V _{NO} = V ₊ or GND, | Switch off, see Figure 17 | 25°C | 5 V | 18 | | pF | | |
| C _{NC(ON)} , C _{NO(ON)} | NC, NO ON capacitance | V _{NC} or V _{NO} = V ₊ or GND, | Switch on, see Figure 17 | 25°C | 5 V | 55 | | pF | | |
| C _{COM(ON)} | COM ON capacitance | V _{COM} = V ₊ or GND, | Switch on, see Figure 17 | 25°C | 5 V | 55 | | pF | | |
| C _I | Digital input capacitance | V _I = V ₊ or GND, | See Figure 17 | 25°C | 5 V | 2 | | pF | | |
| BW | Bandwidth | R _L = 50 Ω, | Switch on, see Figure 20 | 25°C | 5 V | 100 | | MHz | | |

(1) The algebraic convention, whereby the most negative value is a minimum and the most positive value is a maximum.

Electrical Characteristics for 5-V Supply (continued)

V₊ = 4.5 V to 5.5 V, T = –40°C to 85°C (unless otherwise noted)⁽¹⁾

| PARAMETER | | TEST CONDITIONS | | T _A | V ₊ | MIN | TYP | MAX | UNIT |
|-------------------|---------------------------|--|--|----------------|----------------|-----|--------|-----|------|
| O _{ISO} | Off isolation | R _L = 50 Ω, f = 1 MHz, | Switch off, see Figure 21 | 25°C | 5 V | | –64 | | dB |
| X _{TALK} | Crosstalk | R _L = 50 Ω, f = 1 MHz, | Switch on, see Figure 22 | 25°C | 5 V | | –64 | | dB |
| THD | Total harmonic distortion | R _L = 600 Ω, C _L = 50 pF, | f = 200 Hz to 20 kHz, see Figure 24 | 25°C | 5 V | | 0.004% | | |
| SUPPLY | | | | | | | | | |
| I ₊ | Positive supply current | V _I = V ₊ or GND, | Switch on or off | 25°C | 5.5 V | | 10 | 50 | nA |
| | | | | Full | | | | 500 | |

6.6 Electrical Characteristics for 3.3-V Supply

V₊ = 3 V to 3.6 V, T_A = –40°C to 85°C (unless otherwise noted)⁽¹⁾

| PARAMETER | | TEST CONDITIONS | | T _A | V ₊ | MIN | TYP | MAX | UNIT |
|---|--|---|--|----------------|----------------|-----|------|----------------|------|
| ANALOG SWITCH | | | | | | | | | |
| V _{COM} , V _{NO} , V _{NC} | Analog signal range | | | | | 0 | | V ₊ | V |
| r _{peak} | Peak ON resistance | 0 ≤ (V _{NO} or V _{NC}) ≤ V ₊ , I _{COM} = –100 mA, | Switch on, See Figure 14 | 25°C | 3 V | | 1.3 | 1.6 | Ω |
| | | | | Full | | | | 2 | |
| r _{on} | ON-state resistance | V _{NO} or V _{NC} = 2 V, I _{COM} = –100 mA, | Switch on, See Figure 14 | 25°C | 3 V | | 1.2 | 1.5 | Ω |
| | | | | Full | | | | 1.7 | |
| Δr _{on} | ON-state resistance match between channels | V _{NO} or V _{NC} = 2 V, 0.8 V, I _{COM} = –100 mA, | Switch on, See Figure 14 | 25°C | 3 V | | 0.1 | 0.15 | Ω |
| | | | | Full | | | | 0.15 | |
| r _{on(flat)} | ON-state resistance flatness | 0 ≤ (V _{NO} or V _{NC}) ≤ V ₊ , I _{COM} = –100 mA, | Switch on, See Figure 14 | 25°C | 3 V | | 0.2 | | Ω |
| | | | | 25°C | | | 0.15 | 0.3 | |
| | | | | Full | | | | 0.3 | |
| I _{NC(OFF)} , I _{NO(OFF)} | NC, NO off leakage current | V _{NC} or V _{NO} = 1 V, V _{COM} = 1 V to 3 V, or V _{NC} or V _{NO} = 3 V, V _{COM} = 1 V to 3 V, | Switch off, See Figure 15 | 25°C | 3.6 V | –20 | 2 | 20 | nA |
| | | | | Full | | | –50 | | |
| I _{NC(PWROFF)} , I _{NO(PWROFF)} | | V _{NC} or V _{NO} = 0 to 3.6 V, V _{COM} = 3.6 V to 0, | Switch off, See Figure 15 | 25°C | 0 V | –1 | 0.2 | 1 | μA |
| | | | | Full | | | –15 | | |
| I _{NC(ON)} , I _{NO(ON)} | NC, NO on leakage current | V _{NC} or V _{NO} = 1 V, V _{COM} = Open, or V _{NC} or V _{NO} = 3 V, V _{COM} = Open, | Switch on, See Figure 16 | 25°C | 3.6 V | –10 | 2 | 10 | nA |
| | | | | Full | | | –20 | | |
| I _{COM(PWROFF)} | COM off leakage current | V _{NC} or V _{NO} = 3.6 V to 0, V _{COM} = 0 to 3.6 V, | Switch off, See Figure 15 | 25°C | 0 V | –1 | 0.2 | 1 | μA |
| | | | | Full | | | –15 | | |
| I _{COM(ON)} | COM on leakage current | V _{NC} or V _{NO} = Open, V _{COM} = 1 V, or V _{NC} or V _{NO} = Open, V _{COM} = 3 V, | Switch on, See Figure 16 | 25°C | 3.6 V | –10 | 2 | 10 | nA |
| | | | | Full | | | –20 | | |
| DIGITAL INPUT (IN) | | | | | | | | | |
| V _{IH} | Input logic high | | | Full | | 2.4 | | 5.5 | V |
| V _{IL} | Input logic low | | | Full | | 0 | | 0.8 | |
| I _{IH} , I _{IL} | Input leakage current | V _I = 5.5 V or 0 | | 25°C | 3.6 V | –2 | | 2 | nA |
| | | | | Full | | | –100 | | |
| DYNAMIC | | | | | | | | | |
| t _{ON} | Turnon time | V _{COM} = V ₊ , R _L = 50 Ω, | C _L = 35 pF, See Figure 18 | 25°C | 3.3 V | 5 | 16 | 35 | ns |
| | | | | Full | 3 V to 3.6 V | 3 | | 50 | |
| t _{OFF} | Turnoff time | V _{COM} = V ₊ , R _L = 50 Ω, | C _L = 35 pF, See Figure 18 | 25°C | 3.3 V | 1 | 9 | 20 | ns |
| | | | | Full | 3 V to 3.6 V | 1 | | 30 | |

(1) The algebraic convention, whereby the most negative value is a minimum and the most positive value is a maximum.

Electrical Characteristics for 3.3-V Supply (continued)
 $V_+ = 3\text{ V to }3.6\text{ V}$, $T_A = -40^\circ\text{C to }85^\circ\text{C}$ (unless otherwise noted)⁽¹⁾

| PARAMETER | | TEST CONDITIONS | | T_A | V_+ | MIN | TYP | MAX | UNIT |
|--|---------------------------|---|--|-------|--------------|-----|-------|-----|------|
| t_{BBM} | Break-before-make time | $V_{\text{NC}} = V_{\text{NO}} = V_+$, $R_L = 50\ \Omega$, | $C_L = 35\ \text{pF}$, See Figure 19 | 25°C | 3.3 V | | 9 | | ns |
| | | | | Full | 3 V to 3.6 V | 1 | | 40 | |
| Q_C | Charge injection | $V_{\text{GEN}} = 0$, $R_{\text{GEN}} = 0$, | $C_L = 1\ \text{nF}$, See Figure 23 | 25°C | 3.3 V | | -11 | | pC |
| $C_{\text{NC(OFF)}}$, $C_{\text{NO(OFF)}}$ | NC, NO OFF capacitance | V_{NC} or $V_{\text{NO}} = V_+$ or GND, | Switch off, See Figure 17 | 25°C | 3.3 V | | 18 | | pF |
| $C_{\text{NC(ON)}}$, $C_{\text{NO(ON)}}$ | NC, NO ON capacitance | V_{NC} or $V_{\text{NO}} = V_+$ or GND, | Switch on, See Figure 17 | 25°C | 3.3 V | | 55 | | pF |
| $C_{\text{COM(ON)}}$ | COM ON capacitance | $V_{\text{COM}} = V_+$ or GND, | Switch on, See Figure 17 | 25°C | 3.3 V | | 55 | | pF |
| C_I | Digital input capacitance | $V_I = V_+$ or GND, | See Figure 17 | 25°C | 3.3 V | | 2 | | pF |
| BW | Bandwidth | $R_L = 50\ \Omega$, | Switch on, See Figure 20 | 25°C | 3.3 V | | 100 | | MHz |
| O_{ISO} | Off isolation | $R_L = 50\ \Omega$, $f = 1\ \text{MHz}$, | Switch off, See Figure 21 | 25°C | 3.3 V | | -64 | | dB |
| X_{TALK} | Crosstalk | $R_L = 50\ \Omega$, $f = 1\ \text{MHz}$, | Switch on, See Figure 22 | 25°C | 3.3 V | | -64 | | dB |
| THD | Total harmonic distortion | $R_L = 600\ \Omega$, $C_L = 50\ \text{pF}$, | $f = 20\ \text{Hz to }20\ \text{kHz}$, See Figure 24 | 25°C | 3.3 V | | 0.01% | | |
| SUPPLY | | | | | | | | | |
| I_+ | Positive supply current | $V_I = V_+$ or GND, | Switch on or off | 25°C | 3.6 V | | 10 | 25 | nA |
| | | | | Full | | | | 100 | |

6.7 Electrical Characteristics for 2.5-V Supply

 $V_+ = 2.3 \text{ V to } 2.7, T_A = -40^\circ\text{C to } 85^\circ\text{C}$ (unless otherwise noted)⁽¹⁾

| PARAMETER | | TEST CONDITIONS | | T _A | V ₊ | MIN | TYP | MAX | UNIT |
|--|--|---|--|----------------|----------------------|------|------|----------------|------|
| ANALOG SWITCH | | | | | | | | | |
| V _{COM} , V _{NO} , V _{NC} Analog signal range | | | | | | 0 | | V ₊ | V |
| r _{peak} | Peak ON resistance | 0 ≤ (V _{NO} or V _{NC}) ≤ V ₊ , I _{COM} = -8 mA, | Switch on, See Figure 14 | 25°C | 2.3 V | | 1.8 | 2.5 | Ω |
| | | | | Full | | | | 2.7 | |
| r _{on} | ON-state resistance | V _{NO} or V _{NC} = 1.8 V, I _{COM} = -8 mA, | Switch on, See Figure 14 | 25°C | 2.3 V | | 1.5 | 2 | Ω |
| | | | | Full | | | | 2.4 | |
| Δr _{on} | ON-state resistance match between channels | V _{NO} or V _{NC} = 1.8 V, I _{COM} = -8 mA, | Switch on, See Figure 14 | 25°C | 2.3 V | | 0.15 | 0.2 | Ω |
| | | | | Full | | | | 0.2 | |
| r _{on(flat)} | ON-state resistance flatness | 0 ≤ (V _{NO} or V _{NC}) ≤ V ₊ , I _{COM} = -8 mA, | Switch on, See Figure 14 | 25°C | 2.3 V | | 0.6 | | Ω |
| | | V _{NO} or V _{NC} = 0.8 V, 1.8 V, I _{COM} = -8 mA, | Switch on, See Figure 14 | 25°C | | | | 0.6 | |
| | | | | Full | | | | 1 | |
| I _{NC(OFF)} , I _{NO(OFF)} | NC, NO OFF leakage current | V _{NC} or V _{NO} = 0.5 V, V _{COM} = 0.5 V to 2.3 V, or V _{NC} or V _{NO} = 2.3 V, V _{COM} = 0.5 V to 2.3 V, | Switch off, See Figure 15 | 25°C | 2.7 V | -20 | 2 | 20 | nA |
| | | | | | | Full | | | |
| I _{NC(PWROFF)} , I _{NO(PWROFF)} | NC, NO OFF leakage current | V _{NC} or V _{NO} = 0 to 3.6 V, V _{COM} = 3.6 V to 0, | Switch off, See Figure 15 | 25°C | 0 V | -1 | 0.1 | 1 | μA |
| | | | | | | Full | | | |
| I _{NC(ON)} , I _{NO(ON)} | NC, NO ON leakage current | V _{NC} or V _{NO} = 0.5 V, V _{COM} = Open, or V _{NC} or V _{NO} = 2.2 V, V _{COM} = Open, | Switch on, See Figure 16 | 25°C | 2.7 V | -10 | 2 | 10 | nA |
| | | | | Full | | | | 20 | |
| I _{COM(PWROFF)} | COM OFF leakage current | V _{NC} or V _{NO} = 2.7 V to 0, V _{COM} = 0 to 2.7 V, | Switch off, See Figure 15 | 25°C | 0 V | -1 | 0.1 | 10 | μA |
| | | | | Full | | | | 20 | |
| I _{COM(ON)} | COM ON leakage current | V _{NC} or V _{NO} = Open, V _{COM} = 0.5 V, or V _{NC} or V _{NO} = Open, V _{COM} = 2.2 V, | Switch on, See Figure 16 | 25°C | 2.7 V | -10 | 2 | 10 | nA |
| | | | | Full | | | | 20 | |
| DIGITAL INPUT (IN) | | | | | | | | | |
| V _{IH} | Input logic high | | | Full | | 1.8 | | 5.5 | V |
| V _{IL} | Input logic low | | | Full | | 0 | | 0.6 | |
| I _{IH} , I _{IL} | Input leakage current | V _I = 5.5 V or 0 | | 25°C | 2.7 V | -2 | | 2 | nA |
| | | | | Full | | | 20 | | |
| DYNAMIC | | | | | | | | | |
| t _{ON} | Turnon time | V _{COM} = V ₊ , R _L = 50 Ω, | C _L = 35 pF, See Figure 18 | 25°C | 2.5 V | 5 | 22 | 40 | ns |
| | | | | Full | 2.3 V to 2.7 V | 5 | | 50 | |
| t _{OFF} | Turnoff time | V _{COM} = V ₊ , R _L = 50 Ω, | C _L = 35 pF, See Figure 18 | 25°C | 2.5 V | 2 | 6 | 35 | ns |
| | | | | Full | 2.3 V to 2.7 V | 2 | | 50 | |
| t _{BBM} | Break-before-make time | V _{NC} = V _{NO} = V ₊ , R _L = 50 Ω, | C _L = 35 pF, See Figure 19 | 25°C | 2.5 V | 2 | 13 | 35 | ns |
| | | | | Full | 2.3 V to 2.7 V | 2 | | 45 | |
| Q _C | Charge injection | V _{GEN} = 0, R _{GEN} = 0, | C _L = 1 nF, See Figure 23 | 25°C | 2.5 V | | -7 | | pC |
| C _{NC(OFF)} , C _{NO(OFF)} | NC, NO OFF capacitance | V _{NC} or V _{NO} = V ₊ or GND, | Switch off, See Figure 17 | 25°C | 2.5 V | | 18 | | pF |
| C _{NC(ON)} , C _{NO(ON)} | NC, NO ON capacitance | V _{NC} or V _{NO} = V ₊ or GND, | Switch on, See Figure 17 | 25°C | 2.5 V | | 55 | | pF |
| C _{COM(ON)} | COM ON capacitance | V _{COM} = V ₊ or GND, | Switch on, See Figure 17 | 25°C | 2.5 V | | 55 | | pF |
| C _I | Digital input capacitance | V _I = V ₊ or GND, | See Figure 17 | 25°C | 2.5 V | | 2 | | pF |
| BW | Bandwidth | R _L = 50 Ω, | Switch on, See Figure 20 | 25°C | 2.5 V | | 100 | | MHz |

(1) The algebraic convention, whereby the most negative value is a minimum and the most positive value is a maximum.

Electrical Characteristics for 2.5-V Supply (continued)

 $V_+ = 2.3 \text{ V to } 2.7, T_A = -40^\circ\text{C to } 85^\circ\text{C}$ (unless otherwise noted)⁽¹⁾

| PARAMETER | | TEST CONDITIONS | | T_A | V_+ | MIN | TYP | MAX | UNIT |
|---------------|---------------------------|---|--|-------|-------|-----|-------|-----|------|
| O_{ISO} | Off isolation | $R_L = 50 \Omega,$ $f = 1 \text{ MHz},$ | Switch off, See Figure 21 | 25°C | 2.5 V | | -64 | | dB |
| X_{TALK} | Crosstalk | $R_L = 50 \Omega,$ $f = 1 \text{ MHz},$ | Switch on, See Figure 22 | 25°C | 2.5 V | | -64 | | dB |
| THD | Total harmonic distortion | $R_L = 600 \Omega,$ $C_L = 50 \text{ pF},$ | $f = 20 \text{ Hz to } 20 \text{ kHz},$ See Figure 24 | 25°C | 2.5 V | | 0.02% | | |
| SUPPLY | | | | | | | | | |
| I_+ | Positive supply current | $V_I = V_+, \text{ or } GND,$ | Switch on or off | 25°C | 2.7 V | | 10 | 20 | nA |
| | | | | Full | | | 50 | | |

6.8 Electrical Characteristics for 1.8-V Supply

 $V_+ = 1.65 \text{ V to } 1.95 \text{ V}, T_A = -40^\circ\text{C to } 85^\circ\text{C}$ (unless otherwise noted)⁽¹⁾

| PARAMETER | | TEST CONDITIONS | | T_A | V_+ | MIN | TYP | MAX | UNIT |
|---------------------------------------|--|---|---|-------|------------------|-----|------|-------|---------------|
| ANALOG SWITCH | | | | | | | | | |
| $V_{COM}, V_{NO},$ V_{NC} | Analog signal range | | | | | 0 | | V_+ | V |
| r_{peak} | Peak ON resistance | $0 \leq (V_{NO} \text{ or } V_{NC}) \leq V_+,$ $I_{COM} = -2 \text{ mA},$ | Switch on, See Figure 14 | 25°C | 1.65 V | | 5 | | Ω |
| | | | | Full | | | 15 | | |
| r_{on} | ON-state resistance | $V_{NO} \text{ or } V_{NC} = 1.5 \text{ V},$ $I_{COM} = -2 \text{ mA},$ | Switch on, See Figure 14 | 25°C | 1.65 V | | 2 | 2.5 | Ω |
| | | | | Full | | | 3.5 | | |
| Δr_{on} | ON-state resistance match between channels | $V_{NO} \text{ or } V_{NC} = 1.5 \text{ V},$ $I_{COM} = -2 \text{ mA},$ | Switch on, See Figure 14 | 25°C | 1.65 V | | 0.15 | 0.4 | Ω |
| | | | | Full | | | 0.4 | | |
| $r_{on(Flat)}$ | ON-state resistance flatness | $0 \leq (V_{NO} \text{ or } V_{NC}) \leq V_+,$ $I_{COM} = -8 \text{ mA},$ | Switch on, See Figure 14 | 25°C | 1.65 V | | 5 | | Ω |
| | | | | Full | | | 4.5 | | |
| $I_{NC(OFF)},$ $I_{NO(OFF)}$ | NC, NO OFF leakage current | $V_{NC} \text{ or } V_{NO} = 0.3 \text{ V},$ $V_{COM} = 0.3 \text{ V to } 1.65 \text{ V},$ or $V_{NC} \text{ or } V_{NO} = 1.65 \text{ V},$ $V_{COM} = 0.3 \text{ V to } 1.65 \text{ V},$ | Switch off, See Figure 15 | 25°C | 1.95 V | -5 | 2 | 5 | nA |
| | | | | Full | | | -20 | 20 | |
| $I_{NC(PWROFF)},$ $I_{NO(PWROFF)}$ | COM OFF leakage current | $V_{NC} \text{ or } V_{NO} = 0 \text{ to } 1.95 \text{ V},$ $V_{COM} = 1.95 \text{ V to } 0,$ | Switch off, See Figure 15 | 25°C | 0 V | -1 | 0.1 | 1 | μA |
| | | | | Full | | | -5 | 5 | |
| $I_{NC(ON)},$ $I_{NO(ON)}$ | COM ON leakage current | $V_{NC} \text{ or } V_{NO} = 0.3 \text{ V}, V_{COM} = \text{Open},$ or $V_{NC} \text{ or } V_{NO} = 1.65 \text{ V}, V_{COM} = \text{Open},$ | Switch on, See Figure 16 | 25°C | 1.95 V | -5 | 2 | 5 | nA |
| | | | | Full | | | -20 | 20 | |
| $I_{COM(PWROFF)}$ | COM OFF leakage current | $V_{NC} \text{ or } V_{NO} = 1.95 \text{ V to } 0,$ $V_{COM} = 0 \text{ to } 1.95 \text{ V},$ | Switch off, See Figure 15 | 25°C | 0 V | -1 | 0.1 | 7 | μA |
| | | | | Full | | | -5 | 5 | |
| $I_{COM(ON)}$ | COM ON leakage current | $V_{NC} \text{ or } V_{NO} = \text{Open}, V_{COM} = 0.3 \text{ V},$ or $V_{NC} \text{ or } V_{NO} = \text{Open}, V_{COM} = 1.65 \text{ V},$ | Switch on, See Figure 16 | 25°C | 1.95 V | -5 | 2 | 5 | nA |
| | | | | Full | | | -20 | 20 | |
| DIGITAL INPUT (IN) | | | | | | | | | |
| V_{IH} | Input logic high | | | Full | | 1.5 | | 5.5 | V |
| V_{IL} | Input logic low | | | Full | | 0 | | 0.6 | |
| I_{IH}, I_{IL} | Input leakage current | $V_I = 5.5 \text{ V or } 0$ | | 25°C | 1.95 V | -2 | | 2 | nA |
| | | | | Full | | | 20 | 20 | |
| DYNAMIC | | | | | | | | | |
| t_{ON} | Turnon time | $V_{COM} = V_+,$ $R_L = 50 \Omega,$ | $C_L = 35 \text{ pF},$ See Figure 18 | 25°C | 1.8 V | 10 | 35 | 70 | ns |
| | | | | Full | 1.65 V to 1.95 V | 10 | | 75 | |

(1) The algebraic convention, whereby the most negative value is a minimum and the most positive value is a maximum.

Electrical Characteristics for 1.8-V Supply (continued)
 $V_+ = 1.65 \text{ V to } 1.95 \text{ V}$, $T_A = -40^\circ\text{C to } 85^\circ\text{C}$ (unless otherwise noted)⁽¹⁾

| PARAMETER | TEST CONDITIONS | T_A | V_+ | MIN | TYP | MAX | UNIT |
|---|--|-------|------------------|-----|-------|-----|---------------|
| t_{OFF} Turnoff time | $V_{\text{COM}} = V_+$, $R_L = 50 \Omega$, $C_L = 35 \text{ pF}$, See Figure 18 | 25°C | 1.8 V | 2 | 15 | 40 | ns |
| | | Full | 1.65 V to 1.95 V | 2 | | 50 | |
| t_{BBM} Break-before-make time | $V_{\text{NC}} = V_{\text{NO}} = V_+$, $R_L = 50 \Omega$, $C_L = 35 \text{ pF}$, See Figure 19 | 25°C | 1.8 V | | 22 | | ns |
| | | Full | 1.65 V to 1.95 V | 2 | | 70 | |
| Q_C Charge injection | $V_{\text{GEN}} = 0$, $R_{\text{GEN}} = 0$, $C_L = 1 \text{ nF}$, See Figure 23 | 25°C | 1.8 V | | -4 | | pC |
| $C_{\text{NC(OFF)}}$, $C_{\text{NO(OFF)}}$ NC, NO OFF capacitance | V_{NC} or $V_{\text{NO}} = V_+$ or GND, Switch off, See Figure 17 | 25°C | 1.8 V | | 18 | | pF |
| $C_{\text{NC(ON)}}$, $C_{\text{NO(ON)}}$ NC, NO ON capacitance | V_{NC} or $V_{\text{NO}} = V_+$ or GND, Switch on, See Figure 17 | 25°C | 1.8 V | | 55 | | pF |
| $C_{\text{COM(ON)}}$ COM ON capacitance | $V_{\text{COM}} = V_+$ or GND, Switch on, See Figure 17 | 25°C | 1.8 V | | 55 | | pF |
| C_I Digital input capacitance | $V_I = V_+$ or GND, See Figure 17 | 25°C | 1.8 V | | 2 | | pF |
| BW Bandwidth | $R_L = 50 \Omega$, Switch on, See Figure 20 | 25°C | 1.8 V | | 105 | | MHz |
| O_{ISO} Off isolation | $R_L = 50 \Omega$, $f = 1 \text{ MHz}$, Switch off, See Figure 21 | 25°C | 1.8 V | | 64 | | dB |
| X_{TALK} Crosstalk | $R_L = 50 \Omega$, $f = 1 \text{ MHz}$, Switch on, See Figure 22 | 25°C | 1.8 V | | 64 | | dB |
| THD Total harmonic distortion | $R_L = 600 \Omega$, $C_L = 50 \text{ pF}$, $f = 20 \text{ Hz to } 20 \text{ kHz}$, See Figure 24 | 25°C | 1.8 V | | 0.06% | | |
| SUPPLY | | | | | | | |
| I_+ Positive supply current | $V_I = V_+$ or GND, Switch on or off | 25°C | 1.95 V | | 5 | 15 | μA |
| | | Full | | | | 50 | |

6.9 Typical Characteristics

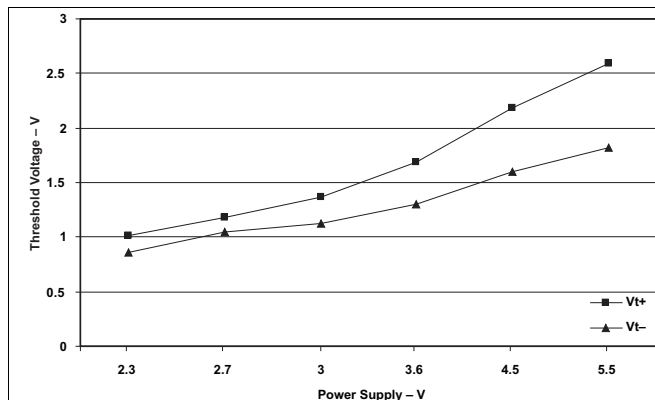


Figure 1. Logic Threshold vs Power Supply

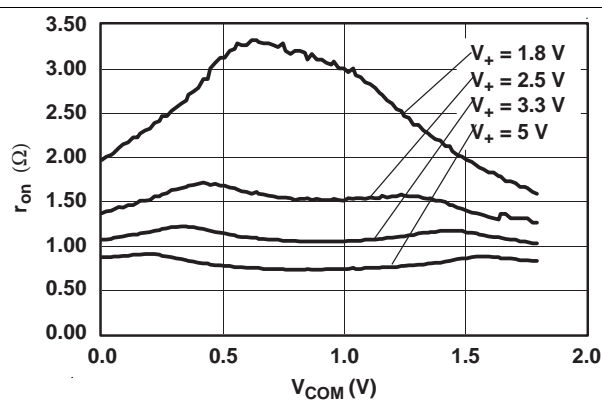


Figure 2. r_{on} vs V_{COM}

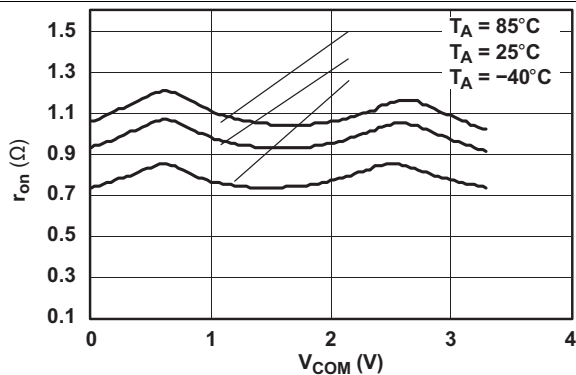


Figure 3. r_{on} vs V_{COM} ($V_+ = 3.3$ V)

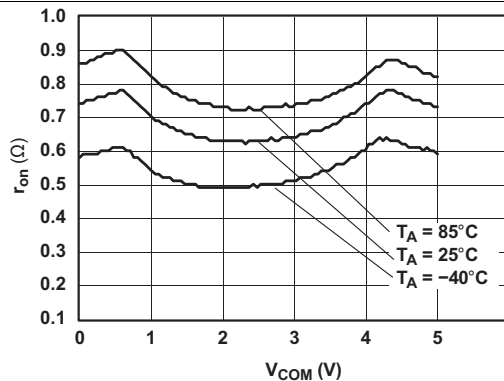


Figure 4. r_{on} vs V_{COM} ($V_+ = 5$ V)

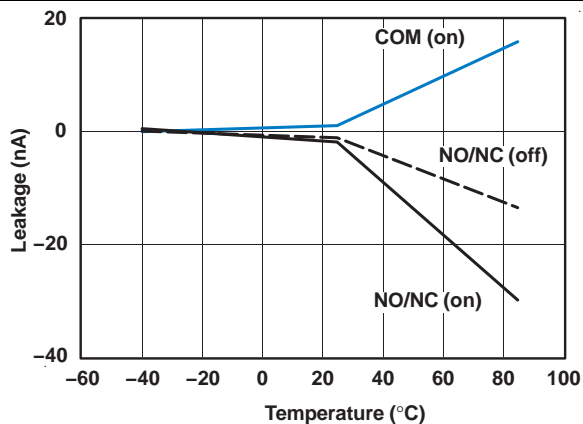


Figure 5. Leakage Current vs Temperature ($V_+ = 3.3$ V)

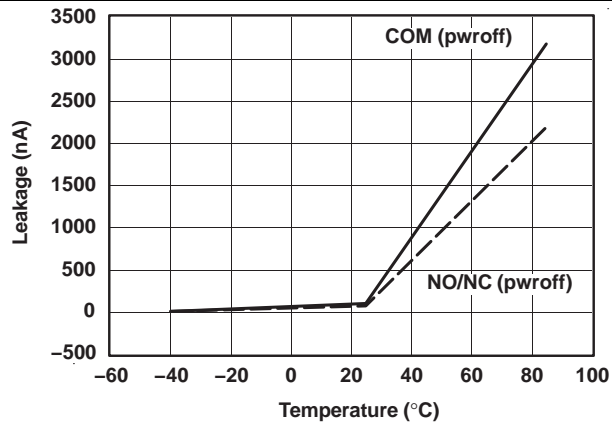


Figure 6. Leakage Current vs Temperature ($V_+ = 5$ V)

Typical Characteristics (continued)

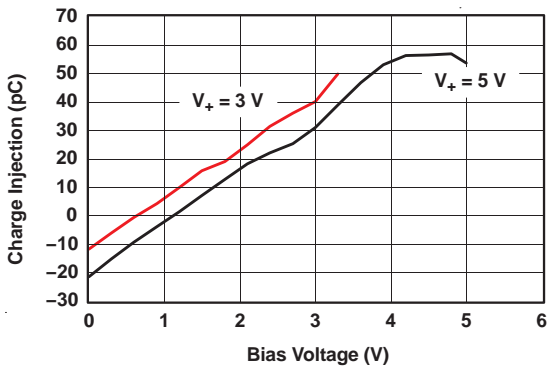


Figure 7. Charge Injection vs Bias Voltage

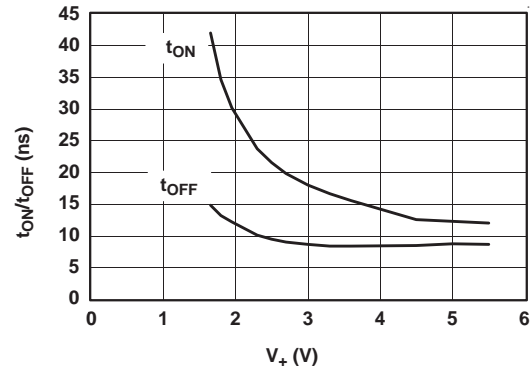


Figure 8. t_{ON} and t_{OFF} vs Supply Voltage

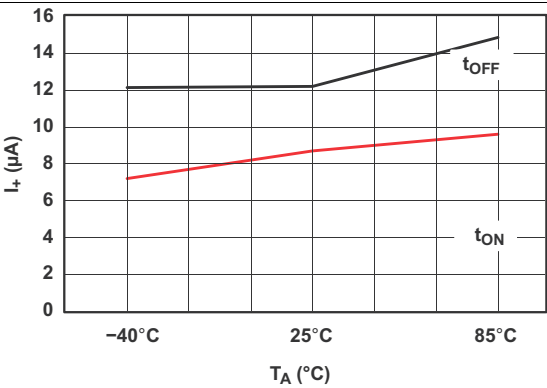


Figure 9. I_+ vs Temperature

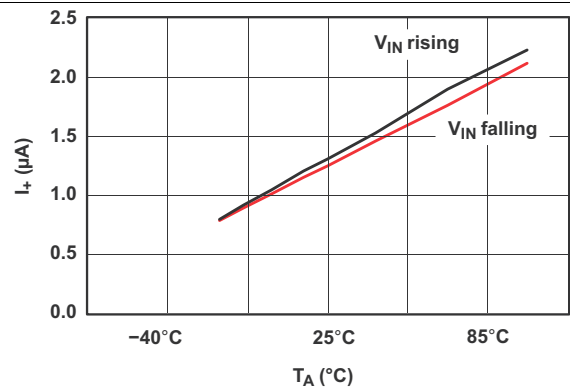


Figure 10. I_+ vs Temperature

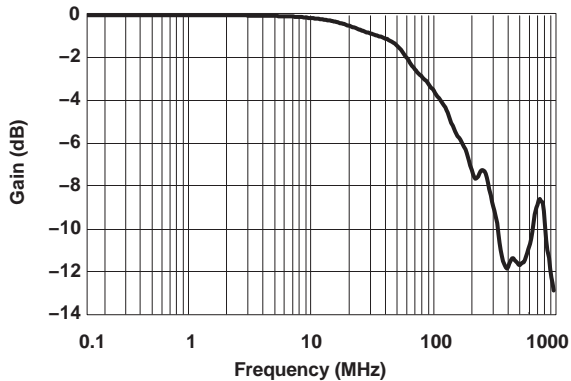


Figure 11. Bandwidth ($V_+ = 5\text{ V}$)

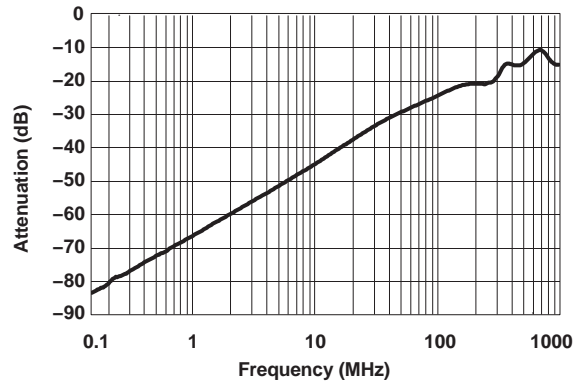
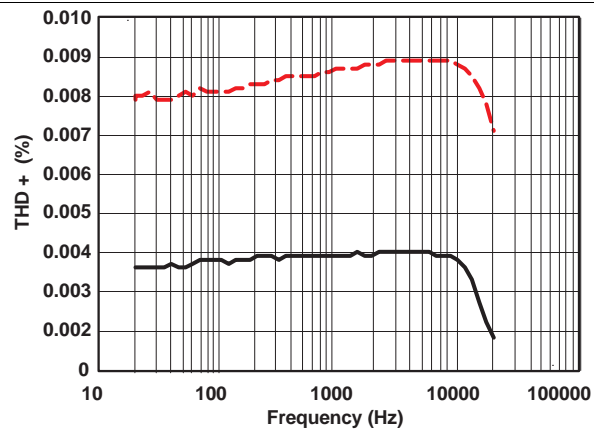


Figure 12. Attenuation vs Frequency

Typical Characteristics (continued)



**Figure 13. Total Harmonic Distortion vs Frequency
($V_+ = 5\text{ V}$)**

7 Parameter Measurement Information

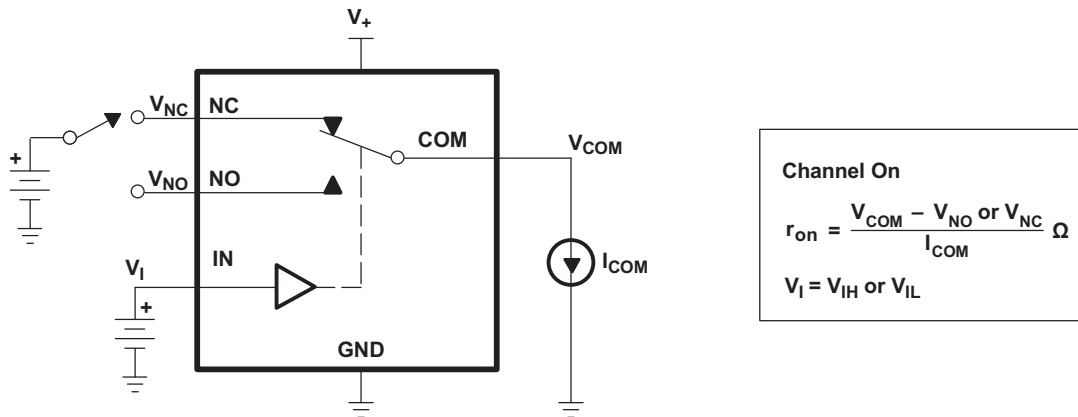


Figure 14. ON-State Resistance (r_{on})

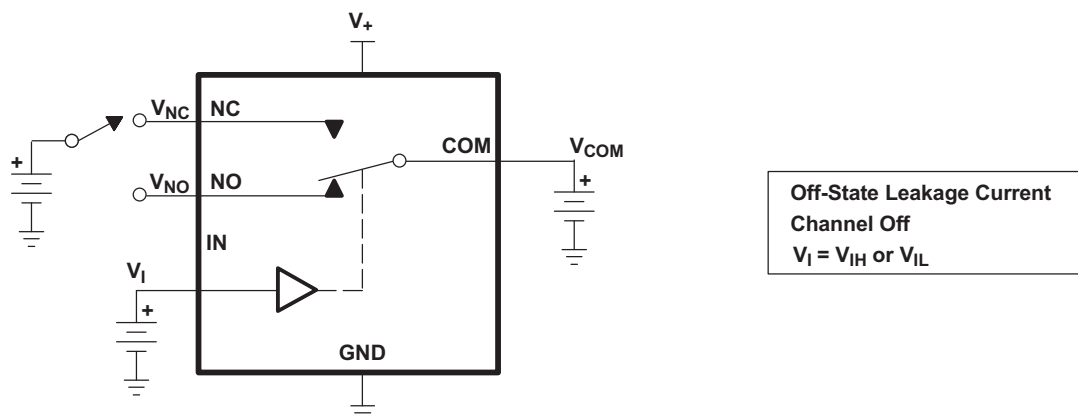


Figure 15. OFF-State Leakage Current ($I_{NC(OFF)}$, $I_{NC(PWROFF)}$, $I_{NO(OFF)}$, $I_{NO(PWROFF)}$, $I_{COM(OFF)}$, $I_{COM(PWROFF)}$)

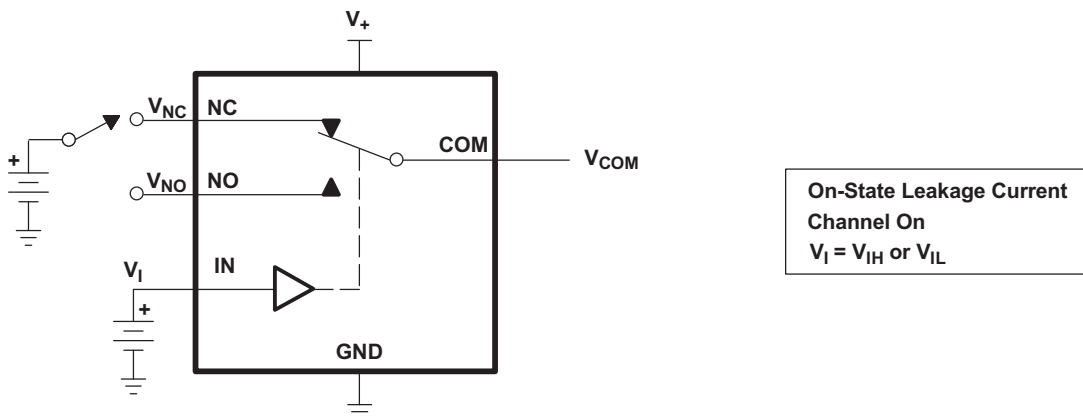


Figure 16. ON-State Leakage Current ($I_{COM(ON)}$, $I_{NC(ON)}$, $I_{NO(ON)}$)

Parameter Measurement Information (continued)

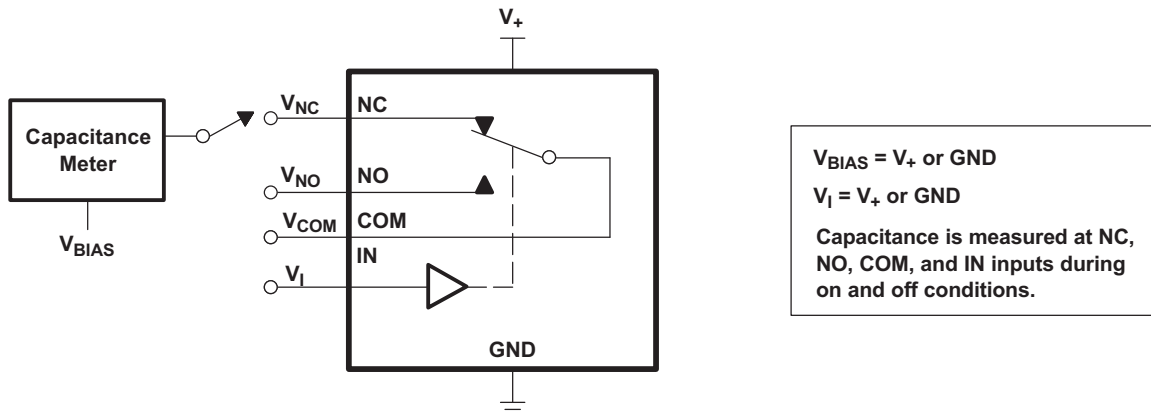
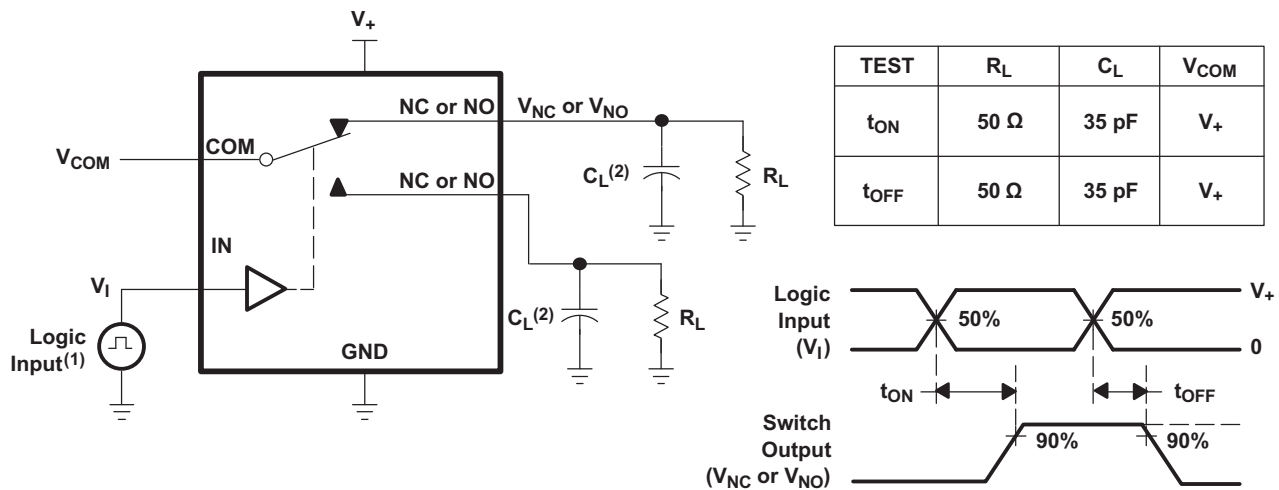


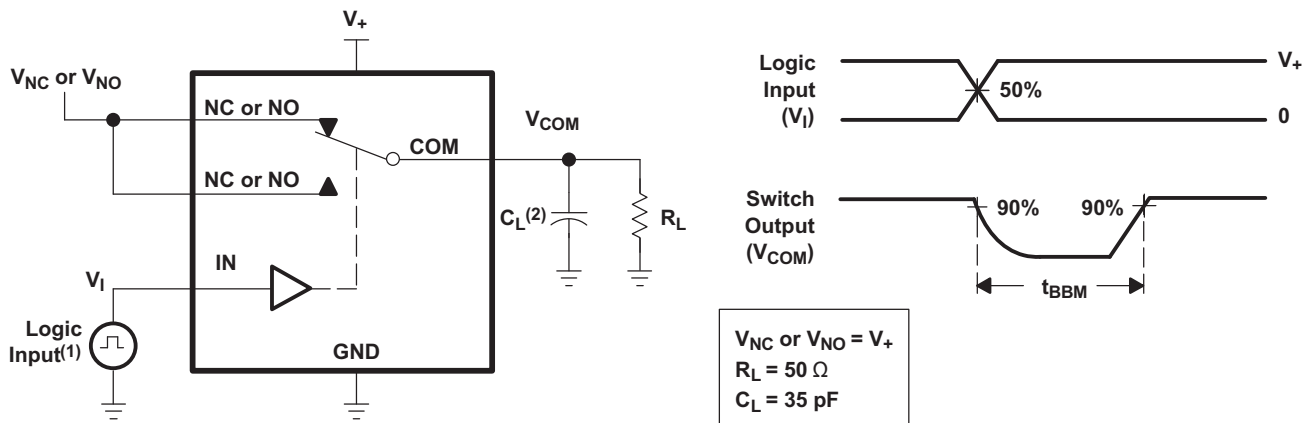
Figure 17. Capacitance (C_I , $C_{COM(ON)}$, $C_{NC(OFF)}$, $C_{NO(OFF)}$, $C_{NC(ON)}$, $C_{NO(ON)}$)



- (1) All input pulses are supplied by generators having the following characteristics: PRR \leq 10 MHz, $Z_O = 50 \Omega$, $t_r < 5$ ns, $t_f < 5$ ns.
- (2) C_L includes probe and jig capacitance.

Figure 18. Turnon (t_{ON}) and Turnoff Time (t_{OFF})

Parameter Measurement Information (continued)



- (1) All input pulses are supplied by generators having the following characteristics: PRR \leq 10 MHz, $Z_0 = 50 \Omega$, $t_r < 5$ ns, $t_f < 5$ ns.
- (2) C_L includes probe and jig capacitance.

Figure 19. Break-Before-Make Time (t_{BBM})

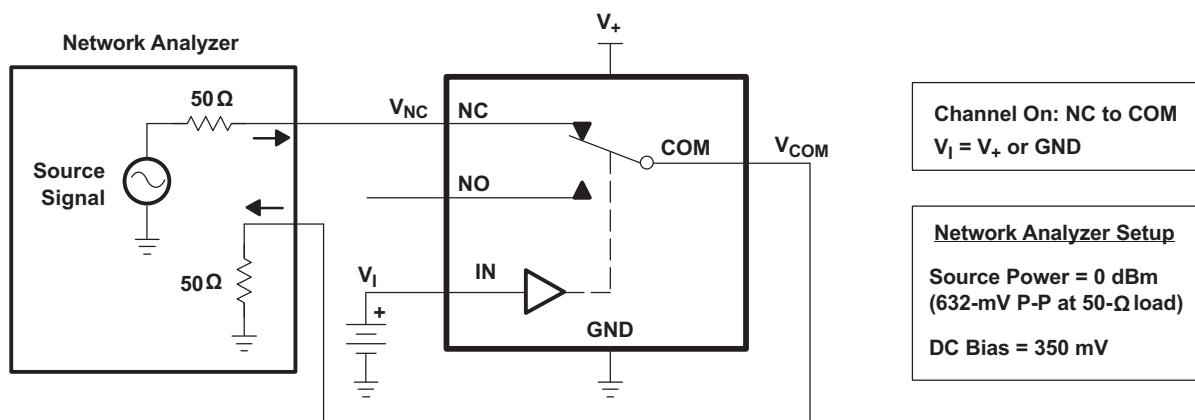


Figure 20. Bandwidth (BW)

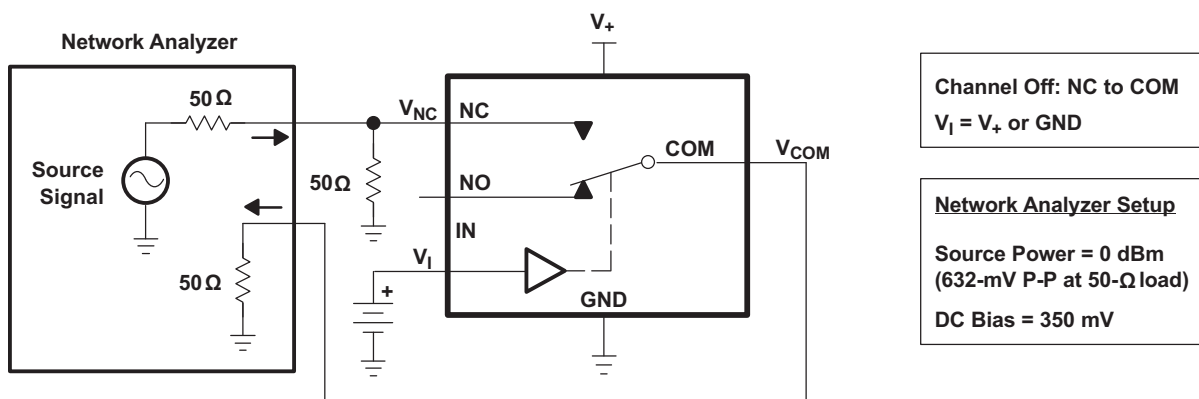


Figure 21. OFF Isolation (O_{ISO})

Parameter Measurement Information (continued)

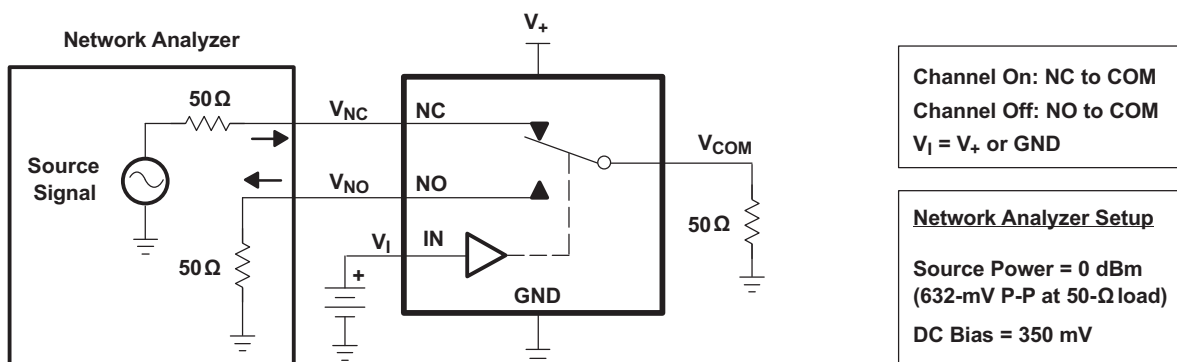
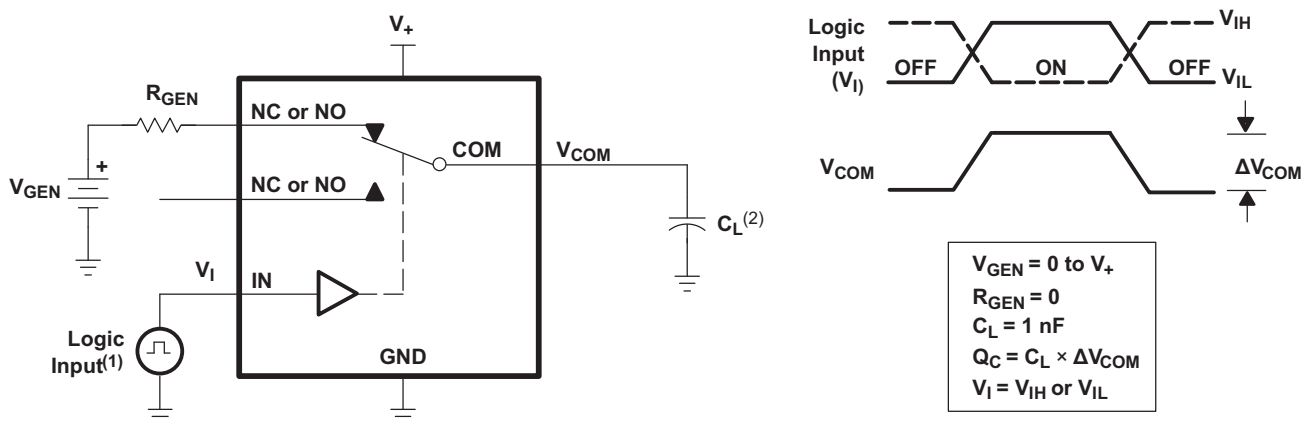
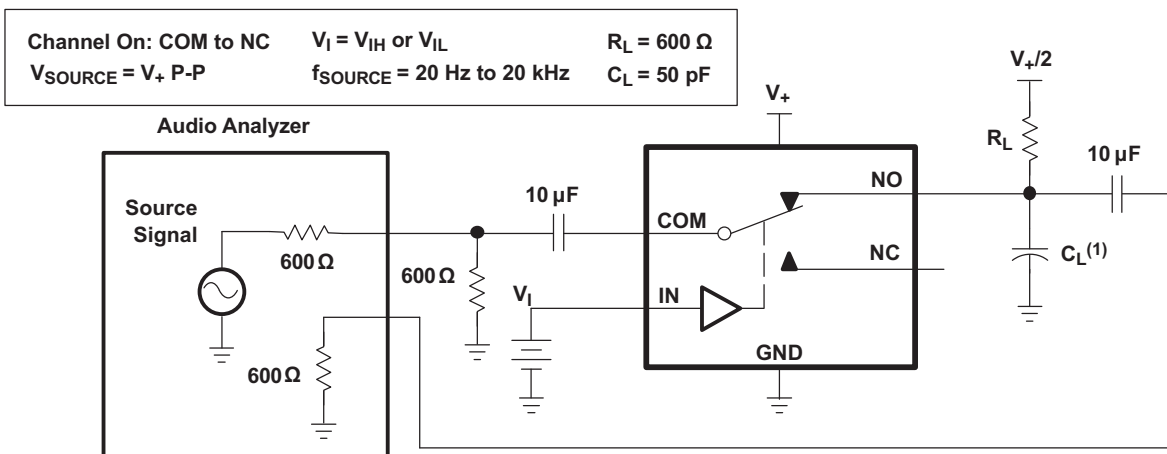


Figure 22. Crosstalk (X_{TALK})



- (1) All input pulses are supplied by generators having the following characteristics: PRR \leq 10 MHz, $Z_O = 50 \Omega$, $t_r < 5 \text{ ns}$, $t_f < 5 \text{ ns}$.
- (2) C_L includes probe and jig capacitance.

Figure 23. Charge Injection (Q_C)



- (1) C_L includes probe and jig capacitance.

Figure 24. Total Harmonic Distortion (THD)

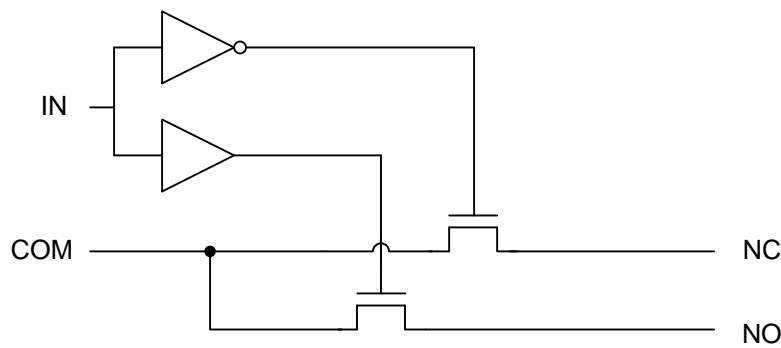
8 Detailed Description

8.1 Overview

The TS5A3159A is a single-pole-double-throw (SPDT) solid-state analog switch. The TS5A3159A, like all analog switches, is bidirectional. When powered on, each COM pin is connected to the NC pin. For this device, NC stands for *normally closed* and NO stands for *normally open*. If IN is low, COM is connected to NC. If IN is high, COM is connected to NO.

The TS5A3159A is a break-before-make switch. This means that during switching, a connection is broken before a new connection is established. The NC and NO pins are never connected to each other.

8.2 Functional Block Diagram



Copyright © 2018, Texas Instruments Incorporated

8.3 Feature Description

The low ON-state resistance, ON-state resistance matching, and charge injection in the TS5A3159A make this switch an excellent choice for analog signals that require minimal distortion. In addition, the low THD allows audio signals to be preserved more clearly as they pass through the device.

The 1.65-V to 5.5-V operation allows compatibility with more logic levels, and the bidirectional I/Os can pass analog signals from 0 V to V_+ with low distortion.

8.4 Device Functional Modes

Table 1 lists the functional modes of the TS5A3159A.

Table 1. Function Table

| IN | NC TO COM, COM TO NC | NO TO COM, COM TO NO |
|----|-------------------------|-------------------------|
| L | ON | OFF |
| H | OFF | ON |

9 Application and Implementation

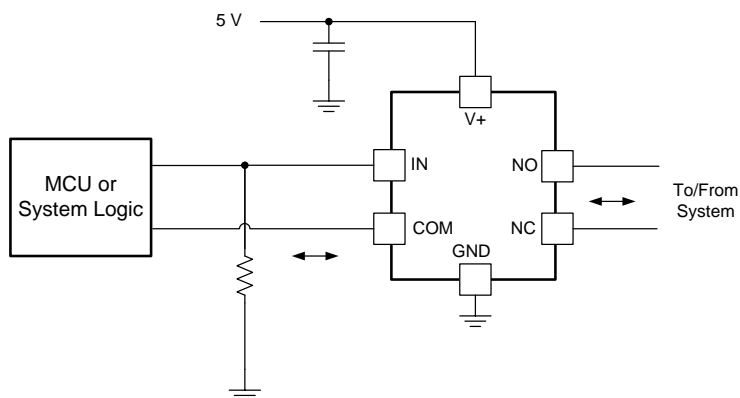
NOTE

Information in the following applications sections is not part of the TI component specification, and TI does not warrant its accuracy or completeness. TI's customers are responsible for determining suitability of components for their purposes. Customers should validate and test their design implementation to confirm system functionality.

9.1 Application Information

The TS5A3159A can be used in a variety of customer systems. The TS5A3159A can be used anywhere multiple analog or digital signals must be selected to pass across a single line.

9.2 Typical Application



Copyright © 2018, Texas Instruments Incorporated

Figure 25. System Schematic for TS5A3159A

9.2.1 Design Requirements

In this particular application, V_+ was 5 V, although V_+ is allowed to be any voltage specified in [Recommended Operating Conditions](#). A decoupling capacitor is recommended on the V_+ pin. See [Power Supply Recommendations](#) for more details.

9.2.2 Detailed Design Procedure

In this application, IN is, by default, pulled low to GND. Choose the resistor size based on the current driving strength of the GPIO, the desired power consumption, and the switching frequency (if applicable). If the GPIO is open-drain, use pullup resistors instead.

9.2.3 Application Curve

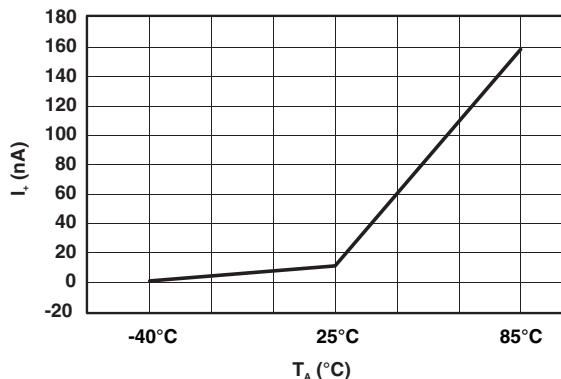


Figure 26. Power-Supply Current vs Temperature ($V_+ = 5$ V)

10 Power Supply Recommendations

The power supply can be any voltage between the minimum and maximum supply voltage rating located in the [Recommended Operating Conditions](#).

Each V_{CC} terminal should have a good bypass capacitor to prevent power disturbance. For devices with a single supply, a 0.1- μF bypass capacitor is recommended. If there are multiple pins labeled V_{CC} , then a 0.01- μF or 0.022- μF capacitor is recommended for each V_{CC} because the VCC pins are tied together internally. For devices with dual-supply pins operating at different voltages, for example V_{CC} and V_{DD} , a 0.1- μF bypass capacitor is recommended for each supply pin. It is acceptable to parallel multiple bypass capacitors to reject different frequencies of noise. 0.1- μF and 1- μF capacitors are commonly used in parallel. The bypass capacitor should be installed as close to the power terminal as possible for best results.

11 Layout

11.1 Layout Guidelines

Reflections and matching are closely related to loop antenna theory, but different enough to warrant their own discussion. When a PCB trace turns a corner at a 90° angle, a reflection can occur. This is primarily due to the change of width of the trace. At the apex of the turn, the trace width is increased to 1.414 times its width. This upsets the transmission line characteristics, especially the distributed capacitance and self-inductance of the trace — resulting in the reflection. It is a given that not all PCB traces can be straight, and so they will have to turn corners. [Figure 27](#) shows progressively better techniques of rounding corners. Only the last example maintains constant trace width and minimizes reflections.

Unused switch I/Os, such as NO, NC, and COM, can be left floating or tied to GND. However, the IN pin must be driven high or low. Due to partial transistor turnon when control inputs are at threshold levels, floating control inputs can cause increased I_{CC} or unknown switch selection states.

11.2 Layout Example

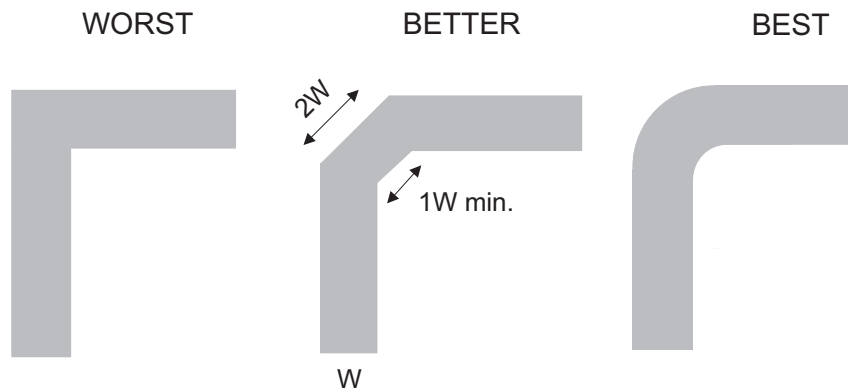


Figure 27. Trace Example

12 デバイスおよびドキュメントのサポート

12.1 デバイス・サポート

12.1.1 デバイスの項目表記

表 2. パラメータの説明

| 記号 | 説明 |
|-------------------|--|
| V_{COM} | COM電圧 |
| V_{NC} | NC電圧 |
| V_{NO} | NO電圧 |
| r_{on} | チャンネルがオンのときのCOMとNCポート間、またはCOMとNOポート間の抵抗 |
| r_{peak} | 規定電圧範囲内でのピーク・オン抵抗 |
| Δr_{on} | チャンネル間の r_{on} の差 |
| $r_{on(flat)}$ | 規定の条件の範囲における、チャンネルの r_{on} の最大値と最小値との差 |
| $I_{NC(OFF)}$ | ワーストケースの入力および出力条件で、対応チャンネル(NCからCOM)がオフ状態のとき、NCポートで測定されるリーク電流 |
| $I_{NC(PWROFF)}$ | パワーダウン状況、 $V_{+} = 0$ で、NCポートで測定されるリーク電流 |
| $I_{NO(OFF)}$ | ワーストケースの入力および出力条件で、対応チャンネル(NOからCOM)がオフ状態のとき、NOポートで測定されるリーク電流 |
| $I_{NO(PWROFF)}$ | パワーダウン状況、 $V_{+} = 0$ で、NOポートで測定されるリーク電流 |
| $I_{NC(ON)}$ | 対応チャンネル(NCからCOM)がオン状態、出力(COM)がオープンするとき、NCポートで測定されるリーク電流 |
| $I_{NO(ON)}$ | 対応チャンネル(NOからCOM)がオン状態、出力(COM)がオープンするとき、NOポートで測定されるリーク電流 |
| $I_{COM(ON)}$ | 対応チャンネル(COMからNO、またはCOMからNC)がオン状態、出力(NCまたはNO)がオープンするとき、COMポートで測定されるリーク電流 |
| $I_{COM(PWROFF)}$ | パワーダウン状況、 $V_{+} = 0$ で、COMポートで測定されるリーク電流 |
| V_{IH} | 制御入力(IN)の論理HIGHの最小入力電圧 |
| V_{IL} | 制御入力(IN)の論理LOWの最大入力電圧 |
| V_I | (IN)の電圧 |
| I_{IH}, I_{IL} | (IN)で測定されるリーク電流 |
| t_{ON} | スイッチのターンオン時間。このパラメータは、規定された条件の範囲で、スイッチがオンになるときのデジタル制御(IN)信号とアナログ出力(COM、NC、NO)信号との間の伝搬遅延により測定されます。 |
| t_{OFF} | スイッチのターンオフ時間。このパラメータは、規定された条件の範囲で、スイッチがオフになるときのデジタル制御(IN)信号とアナログ出力(COM、NC、NO)信号との間の伝搬遅延により測定されます。 |
| t_{BBM} | Break-Before-Make時間。このパラメータは、規定された条件の範囲で、制御信号の状態が変化する際の2つの隣接するアナログ・チャンネル(NCおよびNO)の出力間の伝搬遅延により測定されます。 |
| Q_C | 電荷注入は、制御(IN)入力からアナログ(NC、NO、COM)出力への、望ましくない信号のカップリングの測定値です。この値はクーロン(C)単位で、制御入力のスイッチングによって誘導される合計電荷により測定されます。電荷注入 $Q_C = C_L \times \Delta V_O$ で、 C_L は負荷容量、 ΔV_O はアナログ出力電圧の変化です。 |
| $C_{NC(OFF)}$ | 対応チャンネル(NCからCOM)がオフのときのNCポートの容量 |
| $C_{NO(OFF)}$ | 対応チャンネル(NOからCOM)がオフのときのNOポートの容量 |
| $C_{NC(ON)}$ | 対応チャンネル(NCからCOM)がオンのときのNCポートの容量 |
| $C_{NO(ON)}$ | 対応チャンネル(NOからCOM)がオンのときのNOポートの容量 |
| $C_{COM(ON)}$ | 対応チャンネル(COMからNC、またはCOMからNO)がオンのときのCOMポートの容量 |
| C_{IN} | (IN)の容量 |
| O_{ISO} | スイッチのオフ絶縁は、オフ状態のスイッチのインピーダンス測定値です。これは、オフ状態の対応チャンネル(NCからCOM、またはNOからCOM)で、特定の周波数についてdB単位で測定されます。 |
| X_{TALK} | クロストークは、オンのチャンネルからオフのチャンネル(NCからNO、またはNOからNC)への、望ましくない信号カップリングの測定値です。この値は、特定の周波数について、dB単位で測定されます。 |
| BW | スイッチの帯域幅。チャンネルのゲインがDCゲインより3dB低くなる周波数です。 |
| THD | 全高調波歪は、アナログ・スイッチにより発生する信号の歪みです。この値は、2次、3次、およびさらに高次の高調波の値と、基本波の絶対振幅との比または二乗平均(RM)値として定義されます。 |
| I_{+} | 制御(IN)端子が V_{+} またはGNDであるときの静的消費電流 |

12.2 ドキュメントのサポート

12.2.1 関連資料

関連資料については、以下を参照してください。

『低速またはフローティングCMOS入力の影響』、[SCBA004](#)

12.3 コミュニティ・リソース

The following links connect to TI community resources. Linked contents are provided "AS IS" by the respective contributors. They do not constitute TI specifications and do not necessarily reflect TI's views; see TI's [Terms of Use](#).

TI E2E™オンライン・コミュニティ *TIのE2E (Engineer-to-Engineer)* コミュニティ。エンジニア間の共同作業を促進するために開設されたものです。e2e.ti.comでは、他のエンジニアに質問し、知識を共有し、アイデアを検討して、問題解決に役立てることができます。

設計サポート *TIの設計サポート* 役に立つE2Eフォーラムや、設計サポート・ツールをすばやく見つけることができます。技術サポート用の連絡先情報も参照できます。

12.4 商標

E2E is a trademark of Texas Instruments.

All other trademarks are the property of their respective owners.

12.5 静電気放電に関する注意事項



これらのデバイスは、限定的なESD (静電破壊) 保護機能を内蔵しています。保存時または取り扱い時は、MOSゲートに対する静電破壊を防止するために、リード線同士をショートさせておくか、デバイスを導電フォームに入れる必要があります。

12.6 Glossary

[SLYZ022](#) — *TI Glossary*.

This glossary lists and explains terms, acronyms, and definitions.

13 メカニカル、パッケージ、および注文情報

以降のページには、メカニカル、パッケージ、および注文に関する情報が記載されています。この情報は、そのデバイスについて利用可能な最新のデータです。このデータは予告なく変更されることがあり、ドキュメントが改訂される場合もあります。本データシートのブラウザ版を使用されている場合は、画面左側の説明をご覧ください。

PACKAGING INFORMATION

| Orderable Device | Status (1) | Package Type | Package Drawing | Pins | Package Qty | Eco Plan (2) | Lead finish/ Ball material (6) | MSL Peak Temp (3) | Op Temp (°C) | Device Marking (4/5) | Samples |
|------------------|---------------|--------------|-----------------|------|-------------|-----------------|--------------------------------------|----------------------|--------------|-------------------------|-------------------------|
| TS5A3159ADBVR | ACTIVE | SOT-23 | DBV | 6 | 3000 | RoHS & Green | NIPDAU | Level-1-260C-UNLIM | -40 to 85 | JAJR JAJH | Samples |
| TS5A3159ADBVT | OBSOLETE | SOT-23 | DBV | 6 | | TBD | Call TI | Call TI | -40 to 85 | (JAJK, JAJR) JAJH | |
| TS5A3159ADCKR | ACTIVE | SC70 | DCK | 6 | 3000 | RoHS & Green | NIPDAU | Level-1-260C-UNLIM | -40 to 85 | (JJK, JJR) JJH | Samples |
| TS5A3159ADCKT | OBSOLETE | SC70 | DCK | 6 | | TBD | Call TI | Call TI | -40 to 85 | (JJK, JJR) JJH | |
| TS5A3159AYZPR | ACTIVE | DSBGA | YZP | 6 | 3000 | RoHS & Green | SNAGCU | Level-1-260C-UNLIM | -40 to 85 | JJN | Samples |

(1) The marketing status values are defined as follows:

ACTIVE: Product device recommended for new designs.

LIFEBUY: TI has announced that the device will be discontinued, and a lifetime-buy period is in effect.

NRND: Not recommended for new designs. Device is in production to support existing customers, but TI does not recommend using this part in a new design.

PREVIEW: Device has been announced but is not in production. Samples may or may not be available.

OBSOLETE: TI has discontinued the production of the device.

(2) **RoHS:** TI defines "RoHS" to mean semiconductor products that are compliant with the current EU RoHS requirements for all 10 RoHS substances, including the requirement that RoHS substance do not exceed 0.1% by weight in homogeneous materials. Where designed to be soldered at high temperatures, "RoHS" products are suitable for use in specified lead-free processes. TI may reference these types of products as "Pb-Free".

RoHS Exempt: TI defines "RoHS Exempt" to mean products that contain lead but are compliant with EU RoHS pursuant to a specific EU RoHS exemption.

Green: TI defines "Green" to mean the content of Chlorine (Cl) and Bromine (Br) based flame retardants meet JS709B low halogen requirements of <=1000ppm threshold. Antimony trioxide based flame retardants must also meet the <=1000ppm threshold requirement.

(3) MSL, Peak Temp. - The Moisture Sensitivity Level rating according to the JEDEC industry standard classifications, and peak solder temperature.

(4) There may be additional marking, which relates to the logo, the lot trace code information, or the environmental category on the device.

(5) Multiple Device Markings will be inside parentheses. Only one Device Marking contained in parentheses and separated by a "-" will appear on a device. If a line is indented then it is a continuation of the previous line and the two combined represent the entire Device Marking for that device.

(6) Lead finish/Ball material - Orderable Devices may have multiple material finish options. Finish options are separated by a vertical ruled line. Lead finish/Ball material values may wrap to two lines if the finish value exceeds the maximum column width.

Important Information and Disclaimer: The information provided on this page represents TI's knowledge and belief as of the date that it is provided. TI bases its knowledge and belief on information provided by third parties, and makes no representation or warranty as to the accuracy of such information. Efforts are underway to better integrate information from third parties. TI has taken and continues to take reasonable steps to provide representative and accurate information but may not have conducted destructive testing or chemical analysis on incoming materials and chemicals. TI and TI suppliers consider certain information to be proprietary, and thus CAS numbers and other limited information may not be available for release.

In no event shall TI's liability arising out of such information exceed the total purchase price of the TI part(s) at issue in this document sold by TI to Customer on an annual basis.

TAPE AND REEL INFORMATION

QUADRANT ASSIGNMENTS FOR PIN 1 ORIENTATION IN TAPE


*All dimensions are nominal

| Device | Package Type | Package Drawing | Pins | SPQ | Reel Diameter (mm) | Reel Width W1 (mm) | A0 (mm) | B0 (mm) | K0 (mm) | P1 (mm) | W (mm) | Pin1 Quadrant |
|---------------|--------------|-----------------|------|------|--------------------|--------------------|---------|---------|---------|---------|--------|---------------|
| TS5A3159ADBVR | SOT-23 | DBV | 6 | 3000 | 180.0 | 8.4 | 3.23 | 3.17 | 1.37 | 4.0 | 8.0 | Q3 |
| TS5A3159ADCKR | SC70 | DCK | 6 | 3000 | 180.0 | 8.4 | 2.3 | 2.55 | 1.2 | 4.0 | 8.0 | Q3 |
| TS5A3159ADCKR | SC70 | DCK | 6 | 3000 | 180.0 | 8.4 | 2.41 | 2.41 | 1.2 | 4.0 | 8.0 | Q3 |
| TS5A3159AYZPR | DSBGA | YZP | 6 | 3000 | 178.0 | 9.2 | 1.02 | 1.52 | 0.63 | 4.0 | 8.0 | Q1 |

TAPE AND REEL BOX DIMENSIONS


*All dimensions are nominal

| Device | Package Type | Package Drawing | Pins | SPQ | Length (mm) | Width (mm) | Height (mm) |
|---------------|--------------|-----------------|------|------|-------------|------------|-------------|
| TS5A3159ADBVR | SOT-23 | DBV | 6 | 3000 | 202.0 | 201.0 | 28.0 |
| TS5A3159ADCKR | SC70 | DCK | 6 | 3000 | 205.0 | 200.0 | 33.0 |
| TS5A3159ADCKR | SC70 | DCK | 6 | 3000 | 202.0 | 201.0 | 28.0 |
| TS5A3159AYZPR | DSBGA | YZP | 6 | 3000 | 220.0 | 220.0 | 35.0 |

EXAMPLE BOARD LAYOUT

DBV0006A

SOT-23 - 1.45 mm max height

SMALL OUTLINE TRANSISTOR



LAND PATTERN EXAMPLE
EXPOSED METAL SHOWN
SCALE:15X



SOLDER MASK DETAILS

4214840/G 08/2024

NOTES: (continued)

- 6. Publication IPC-7351 may have alternate designs.
- 7. Solder mask tolerances between and around signal pads can vary based on board fabrication site.

EXAMPLE STENCIL DESIGN

DBV0006A

SOT-23 - 1.45 mm max height

SMALL OUTLINE TRANSISTOR



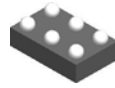
SOLDER PASTE EXAMPLE
BASED ON 0.125 mm THICK STENCIL
SCALE:15X

4214840/G 08/2024

NOTES: (continued)

8. Laser cutting apertures with trapezoidal walls and rounded corners may offer better paste release. IPC-7525 may have alternate design recommendations.
9. Board assembly site may have different recommendations for stencil design.

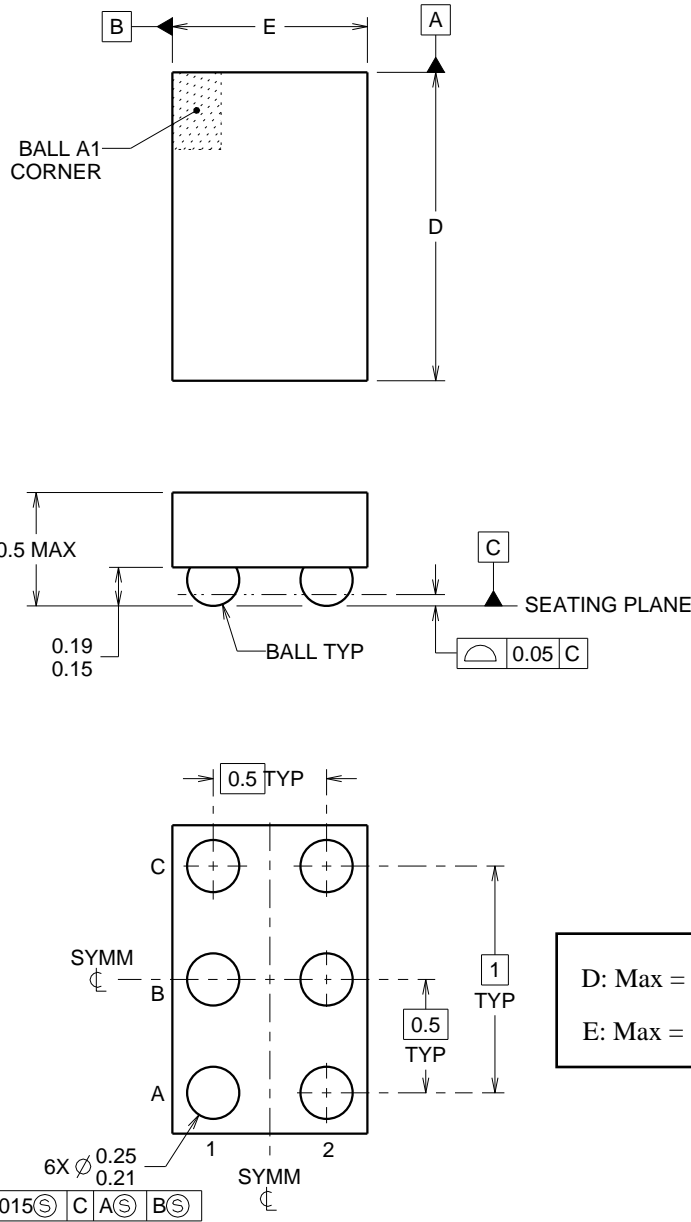
YZP0006



PACKAGE OUTLINE

DSBGA - 0.5 mm max height

DIE SIZE BALL GRID ARRAY



D: Max = 1.418 mm, Min = 1.358 mm
E: Max = 0.918 mm, Min = 0.858 mm

4219524/A 06/2014

NOTES:

NanoFree Is a trademark of Texas Instruments.

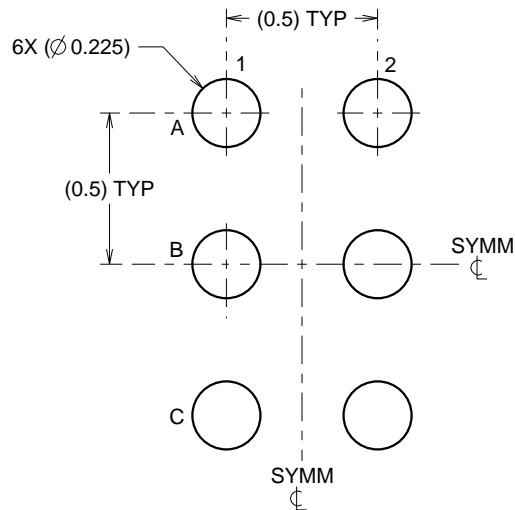
1. All linear dimensions are in millimeters. Any dimensions in parenthesis are for reference only. Dimensioning and tolerancing per ASME Y14.5M.
2. This drawing is subject to change without notice.
3. NanoFree™ package configuration.

EXAMPLE BOARD LAYOUT

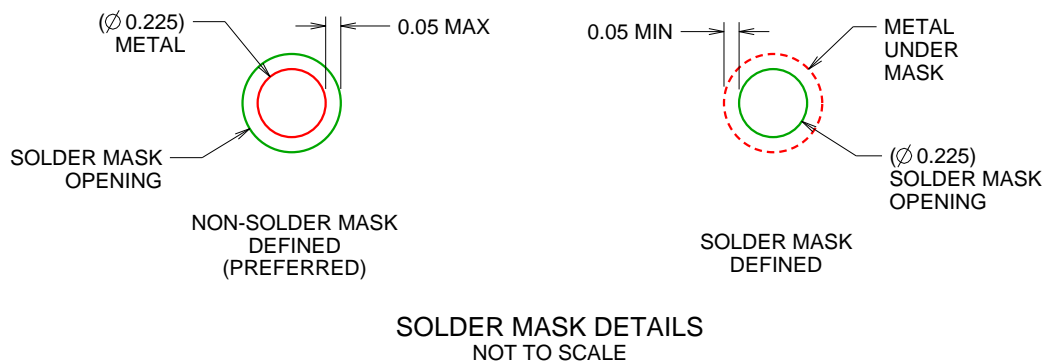
YZP0006

DSBGA - 0.5 mm max height

DIE SIZE BALL GRID ARRAY



LAND PATTERN EXAMPLE
SCALE:40X



SOLDER MASK DETAILS
NOT TO SCALE

4219524/A 06/2014

NOTES: (continued)

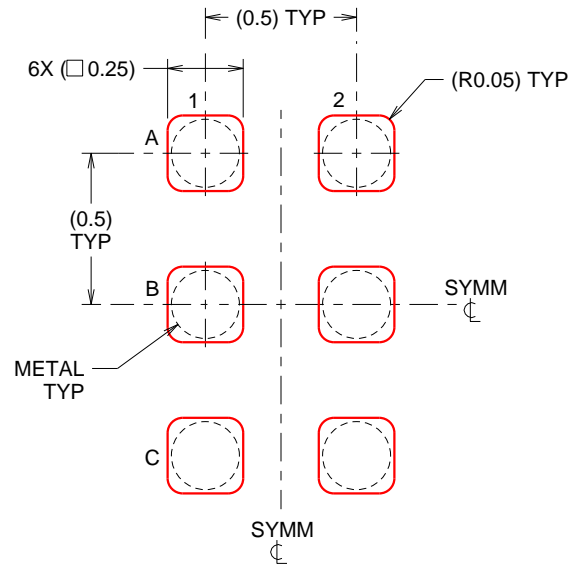
- Final dimensions may vary due to manufacturing tolerance considerations and also routing constraints. For more information, see Texas Instruments literature number SBVA017 (www.ti.com/lit/sbva017).

EXAMPLE STENCIL DESIGN

YZP0006

DSBGA - 0.5 mm max height

DIE SIZE BALL GRID ARRAY

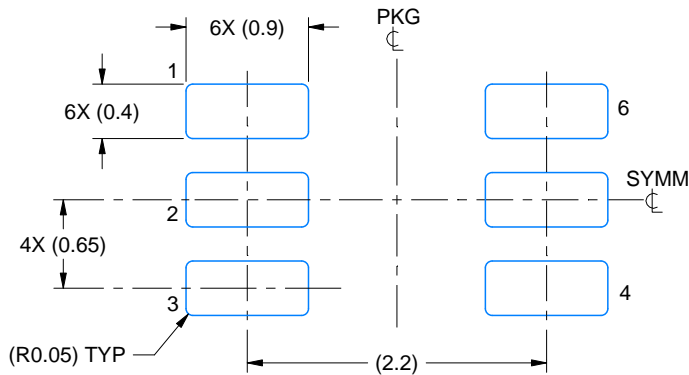


SOLDER PASTE EXAMPLE
BASED ON 0.1 mm THICK STENCIL
SCALE:40X

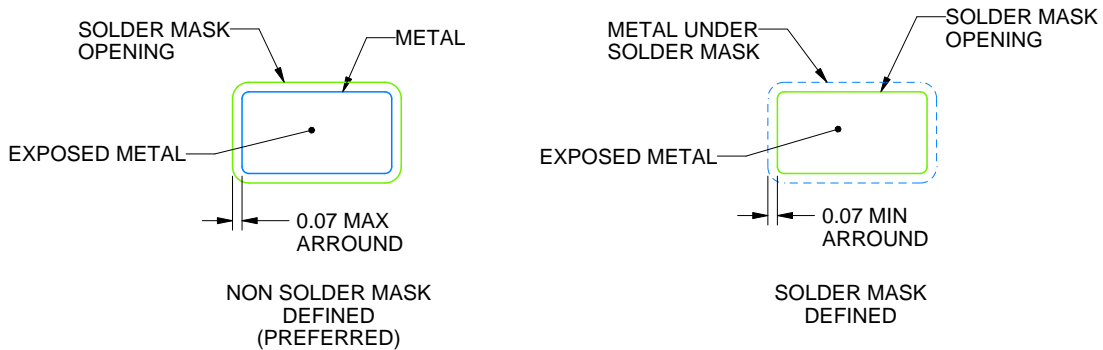
4219524/A 06/2014

NOTES: (continued)

5. Laser cutting apertures with trapezoidal walls and rounded corners may offer better paste release.



LAND PATTERN EXAMPLE
EXPOSED METAL SHOWN
SCALE:18X

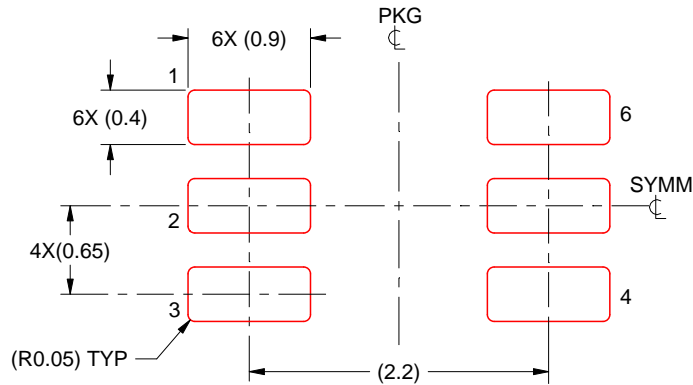


SOLDER MASK DETAILS

4214835/D 11/2024

NOTES: (continued)

5. Publication IPC-7351 may have alternate designs.
6. Solder mask tolerances between and around signal pads can vary based on board fabrication site.



SOLDER PASTE EXAMPLE
BASED ON 0.125 THICK STENCIL
SCALE:18X

4214835/D 11/2024

NOTES: (continued)

7. Laser cutting apertures with trapezoidal walls and rounded corners may offer better paste release. IPC-7525 may have alternate design recommendations.
8. Board assembly site may have different recommendations for stencil design.

重要なお知らせと免責事項

テキサス・インスツルメンツは、技術データと信頼性データ(データシートを含みます)、設計リソース(リファレンス デザインを含みます)、アプリケーションや設計に関する各種アドバイス、Web ツール、安全性情報、その他のリソースを、欠陥が存在する可能性のある「現状のまま」提供しており、商品性および特定目的に対する適合性の黙示保証、第三者の知的財産権の非侵害保証を含むいかなる保証も、明示的または黙示的にかかわらず拒否します。

これらのリソースは、テキサス・インスツルメンツ製品を使用する設計の経験を積んだ開発者への提供を意図したものです。(1) お客様のアプリケーションに適したテキサス・インスツルメンツ製品の選定、(2) お客様のアプリケーションの設計、検証、試験、(3) お客様のアプリケーションに該当する各種規格や、その他のあらゆる安全性、セキュリティ、規制、または他の要件への確実な適合に関する責任を、お客様のみが単独で負うものとし、ます。

上記の各種リソースは、予告なく変更される可能性があります。これらのリソースは、リソースで説明されているテキサス・インスツルメンツ製品を使用するアプリケーションの開発の目的でのみ、テキサス・インスツルメンツはその使用をお客様に許諾します。これらのリソースに関して、他の目的で複製することや掲載することは禁止されています。テキサス・インスツルメンツや第三者の知的財産権のライセンスが付与されている訳ではありません。お客様は、これらのリソースを自身で使用した結果発生するあらゆる申し立て、損害、費用、損失、責任について、テキサス・インスツルメンツおよびその代理人を完全に補償するものとし、テキサス・インスツルメンツは一切の責任を拒否します。

テキサス・インスツルメンツの製品は、[テキサス・インスツルメンツの販売条件](#)、または [ti.com](https://www.ti.com) やかかるテキサス・インスツルメンツ製品の関連資料などのいずれかを通じて提供する適用可能な条項の下で提供されています。テキサス・インスツルメンツがこれらのリソースを提供することは、適用されるテキサス・インスツルメンツの保証または他の保証の放棄の拡大や変更を意味するものではありません。

お客様がいかなる追加条項または代替条項を提案した場合でも、テキサス・インスツルメンツはそれらに異議を唱え、拒否します。

郵送先住所：Texas Instruments, Post Office Box 655303, Dallas, Texas 75265
Copyright © 2025, Texas Instruments Incorporated