

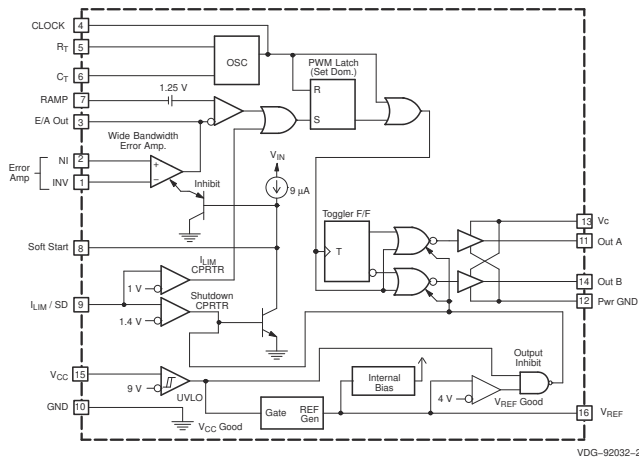
UC1825B-SP Class-V、放射線強化された高速 PWM コントローラ

1 特長

- QML-V 認定済み、SMD 5962-8768106
- 5962R8768106VYC:
 - 最大 100krad (Si) の総電離線量 (TID) までの放射線硬度保証 (RHA) ¹
- 電圧または電流モード・トポロジと互換
- 最大 1MHz の実用動作スイッチング周波数
- 出力への伝播遅延 50ns
- 大電流のデュアル・トータム・ポール出力 (2A ピーク)
- 広帯域幅のエラー・アンプ
- 二重パルス抑制機能を備えた完全ラッチ付きロジック
- パルス単位の電流制限
- ソフトスタート / 最大デューティ・サイクル制御
- ヒステリシス付きの低電圧誤動作防止
- 低いスタートアップ電流 (1.1mA)

2 アプリケーション

- 放射線に対して強化された DC/DC コンバータ
- 衛星用バスおよびペイロード
- 通信ペイロード
- 光学画像処理ペイロード
- レーダー画像処理ペイロード
- 宇宙への打ち上げ用ロケット
- 各種のトポロジをサポート
 - フライバック、フォワード、降圧、昇圧
 - 外部インターフェイス回路付きのプッシュプル、ハーフブリッジ、フルブリッジ



ブロック図

3 概要

UC1825B-SP PWM 制御デバイスは、高周波数のスイッチ・モード電源アプリケーション用に最適化されています。コンパレータとロジック回路の伝播遅延を最小化し、エラー・アンプの帯域幅とスルーレートを最大化するように特に配慮しました。このコントローラは、入力電圧フィードフォワード機能を備えた電流モードまたは電圧モード・システムで使用するように設計されています。

保護回路には、1V スレッショルドの電流制限コンパレータ、TTL 互換のシャットダウン・ポート、最大デューティ・サイクル・クランプとしても使用可能なソフトスタート・ピンが含まれます。ロジックは完全にラッチされるため、ジッタフリーで動作し、一度に複数のパルスを出力しません。低電圧誤動作防止セクションに 800mV のヒステリシスを持たせることで、スタートアップ時に電流が確実に低減されるようにしています。低電圧誤動作防止の動作中、出力は高インピーダンスになります。

このデバイスは、パワー MOSFET のゲートなどの容量性負荷に大きなピーク電流をソースおよびシンクするよう設計されたトータム・ポール出力を備えています。オン状態は HIGH レベルに設計されています。

デバイス情報

部品番号 ⁽¹⁾	グレード ⁽²⁾	パッケージ
5962R8768106VYC	フライト・グレード QMLV-RHA 100krad(Si)	CFP (16) 10.16mm × 7.10mm
UC1825BHKT/EM	エンジニアリング・サンプル ⁽³⁾	
5962R8768106V9A	フライト・グレード QMLV-RHA KGD 100 krad(Si)	ダイ

- (1) 利用可能なパッケージについては、このデータシートの末尾にある注文情報を参照してください。
- (2) 部品のグレードについての追加情報は、[SLYB235](#) をご覧ください。
- (3) これらのユニットは、技術的な評価のみを目的としています。標準とは異なるフローに従って処理されています。これらのユニットは、認定、量産、放射線テスト、航空での使用には適していません。部品は、MIL に規定されている温度範囲全体 (-55°C ~ 125°C) にわたる性能も動作寿命全体にわたる性能も保証されていません。

¹ 放射線耐性は、線量率=10mrad(Si)/s での初期デバイス認定に基づく標準値です。放射線ロット受け入れテストも実施可能です。詳しくは弊社にお問い合わせください。



Table of Contents

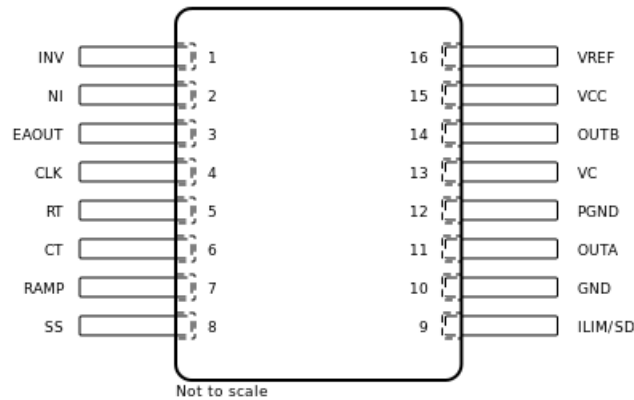
1 特長	1	8 Application and Implementation	14
2 アプリケーション	1	8.1 Application Information.....	14
3 概要	1	8.2 Typical Application.....	15
4 Revision History	2	8.3 Application Curves.....	21
5 Pin Configuration and Functions	3	9 Power Supply Recommendations	25
6 Specifications	6	10 Layout	25
6.1 Absolute Maximum Ratings.....	6	10.1 Layout Guidelines.....	25
6.2 ESD Ratings.....	6	10.2 Layout Example.....	26
6.3 Recommended Operating Conditions.....	6	11 Device and Documentation Support	27
6.4 Thermal Information.....	7	11.1 Documentation Support.....	27
6.5 Electrical Characteristics.....	7	11.2 ドキュメントの更新通知を受け取る方法.....	27
6.6 Typical Characteristics.....	8	11.3 サポート・リソース.....	27
7 Detailed Description	9	11.4 Trademarks.....	27
7.1 Overview.....	9	11.5 静電気放電に関する注意事項.....	27
7.2 Functional Block Diagram.....	9	11.6 用語集.....	27
7.3 Feature Description.....	9	12 Mechanical, Packaging, and Orderable Information	28
7.4 Device Functional Modes.....	13		

4 Revision History

資料番号末尾の英字は改訂を表しています。その改訂履歴は英語版に準じています。

Changes from Revision * (April 2019) to Revision A (December 2020)	Page
• ドキュメント全体にわたって表、図、相互参照の採番方法を更新.....	1
• Added Bare Die Information table to <i>Pin Configuration and Functions</i> section.....	3
• Added UC1825B-SP Bare Die Pin Number Locations figure to <i>Pin Configuration and Functions</i> section.....	3
• Added Bond Pad Coordinates in Microns table to <i>Pin Configuration and Functions</i> section.....	3
• Updated <i>Synchronization</i> section.....	10

5 Pin Configuration and Functions



**图 5-1. HKT Package
16-Pin CFP
Top View**

表 5-1. Pin Functions

NAME	NO.	I/O	DESCRIPTION
CLK	4	O	Output of the internal oscillator.
CT	6	I	Timing capacitor connection pin for oscillator frequency programming. The timing capacitor should be connected to the device ground using minimal trace length.
EAOUT	3	O	Output of the error amplifier for compensation.
GND	10	—	Analog ground return pin.
ILIM/SD	9	I	Input to the current limit comparator and the shutdown comparator.
INV	1	I	Inverting input to the error amplifier.
NI	2	I	Non-inverting input to the error amplifier.
OUTA	11	O	High-current totem pole output A of the on-chip drive stage.
OUTB	14	O	High-current totem pole output B of the on-chip drive stage.
PGND	12	—	Ground return pin for the output driver stage.
RAMP	7	I	Non-inverting input to the PWM comparator with 1.25-V internal input offset. In voltage mode operation this serves as the input voltage feed-forward function by using the CT ramp. In peak current mode operation, this serves as the slope compensation input.
RT	5	I	Timing resistor connection pin for oscillator frequency programming.
SS	8	I	Soft-start input pin which also doubles as the maximum duty cycle clamp.
VC	13	—	Power supply pin for the output stage. This pin should be bypassed with a 0.1- μ F monolithic ceramic low ESL capacitor with minimal trace lengths.
VCC	15	—	Power supply pin for the device. This pin should be bypassed with a 0.1- μ F monolithic ceramic low ESL capacitor with minimal trace lengths.
VREF	16	O	5.1-V reference. For stability, the reference should be bypassed with a 0.1- μ F monolithic ceramic low ESL capacitor and minimal trace length to the ground plane.

表 5-2. Bare Die Information

DIE THICKNESS	BACKSIDE FINISH	BACKSIDE POTENTIAL	BOND PAD METALLIZATION COMPOSITION	BOND PAD THICKNESS
15 mils	Backgrind Si - Finish	GND	AlCu	2000 nm

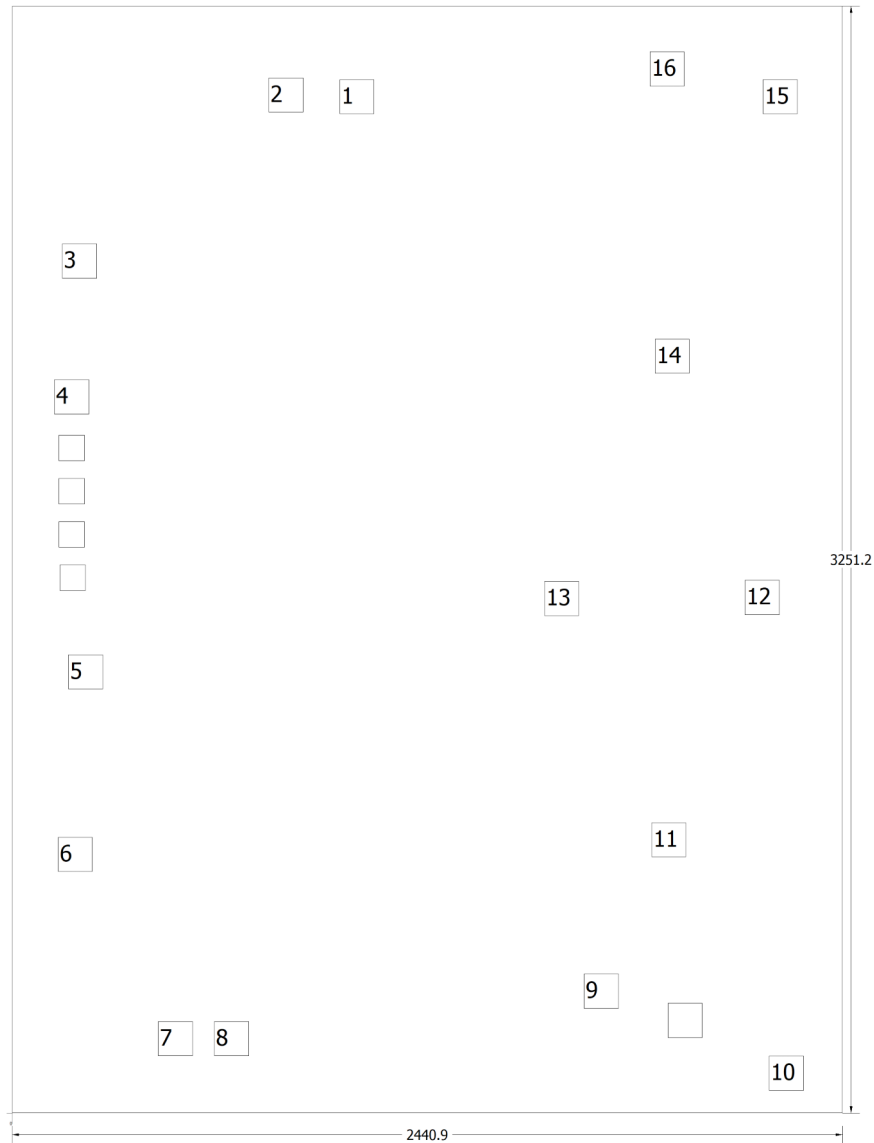


図 5-2. UC1825B-SP Bare Die Pin Number Locations

表 5-3. Bond Pad Coordinates in Microns

DESCRIPTION	PAD NUMBER	X MIN	Y MIN	X MAX	Y MAX
INV	1	962.66	2933.7	1064.26	3035.3
NI	2	754.38	2938.78	855.98	3040.38
EAOUT	3	147.32	2451.1	248.92	2552.7
CLK	4	124.46	2052.32	226.06	2153.92
RT	9	165.1	1244.6	266.7	1346.2
CT	10	134.62	708.66	236.22	810.26
RAMP	11	429.26	167.64	530.86	269.24
SS	12	594.36	167.64	695.96	269.24
ILIM/SD	13	1681.48	307.34	1783.08	408.94
GND	15	2225.04	66.04	2326.64	167.64
OUTA	16	1879.6	751.84	1981.2	853.44
PGND	17	2153.92	1463.04	2255.52	1564.64
VC	18	1564.64	1460.5	1666.24	1562.1
OUTB	19	1889.76	2171.7	1991.36	2273.3
VCC	20	2207.26	2933.7	2308.86	3035.3
RAMP	21	1874.52	3014.98	1976.12	3116.58

6 Specifications

6.1 Absolute Maximum Ratings

over operating free-air temperature range (unless otherwise noted)^{(1) (2)}

			MIN	MAX	UNIT
	Supply voltage	VC, VCC		30	V
	Output current, source or sink, OUTA, OUTB	DC		0.5	A
		Pulse (0.5 μ s)		2.0	
	Analog inputs	INV, NI, RAMP	-0.3	7	V
		SS, ILIM/SD	-0.3	6	
	Clock output current	CLK		-5	mA
	Error amplifier output current	EAOUT		5	mA
	Soft-start sink current	SS		20	mA
	Oscillator charging current	RT		-5	mA
	Power dissipation			1	W
	Lead temperature (soldering, 10 seconds)			300	$^{\circ}$ C
T _{stg}	Storage temperature		-65	150	$^{\circ}$ C

- Stresses beyond those listed under *Absolute Maximum Ratings* may cause permanent damage to the device. These are stress ratings only, which do not imply functional operation of the device at these or any other conditions beyond those indicated under *Recommended Operating Conditions*. Exposure to absolute-maximum-rated conditions for extended periods may affect device reliability.
- All voltages are with respect to GND; all currents are positive into, negative out of part; pin numbers refer to CFP-16 package.

6.2 ESD Ratings

			VALUE	UNIT
V _(ESD)	Electrostatic discharge	Human-body model (HBM), per ANSI/ESDA/JEDEC JS-001 ⁽¹⁾	\pm 1000	V
		Charged-device model (CDM), per JEDEC specification JESD22-C101 ⁽²⁾	\pm 1500	

- JEDEC document JEP155 states that 500-V HBM allows safe manufacturing with a standard ESD control process.
- JEDEC document JEP157 states that 250-V CDM allows safe manufacturing with a standard ESD control process.

6.3 Recommended Operating Conditions

over operating free-air temperature range ($T_A = T_J = -55^{\circ}$ C to 125° C), unless otherwise noted.

		MIN	MAX	UNIT
V _{CC}	Supply voltage	10	30	V
	Sink/source output current (continuous or time average)	0	100	mA
	Reference load current	0	10	mA

6.4 Thermal Information

THERMAL METRIC ⁽¹⁾		UC1825B-SP	UNIT
		HKT (CFP)	
		16 PINS	
R _{θJA}	Junction-to-ambient thermal resistance	32.2	°C/W
R _{θJC(top)}	Junction-to-case (top) thermal resistance	13.8	°C/W
R _{θJB}	Junction-to-board thermal resistance	15.2	°C/W
ψ _{JT}	Junction-to-top characterization parameter	7	°C/W
ψ _{JB}	Junction-to-board characterization parameter	14.6	°C/W
R _{θJC(bot)}	Junction-to-case (bottom) thermal resistance	5	°C/W

(1) For more information about traditional and new thermal metrics, see the [Semiconductor and IC Package Thermal Metrics application report](#).

6.5 Electrical Characteristics

Unless otherwise stated, these specifications apply for R_T = 3.65 kΩ, C_T = 1 nF, V_{CC} = 15 V, -55°C < T_A < 125°C, T_A = T_J

PARAMETERS	TEST CONDITIONS	MIN	TYP	MAX	UNIT
REFERENCE					
Output voltage	T _J = 25°C, I _O = 1 mA	5.024	5.1	5.176	V
Line regulation	10 V < V _{CC} < 30 V		2	20	mV
Load regulation	1 mA < I _O < 10 mA		5	20	mV
Total output variation	Line, load, temperature	5		5.2	V
Output noise voltage	10 Hz < f < 10 kHz		50		μV
Short-circuit current	V _{REF} = 0 V	-15	-50	-100	mA
OSCILLATOR SECTION					
Initial accuracy	T _J = 25°C	360	400	440	kHz
Voltage stability	10 V < V _{CC} < 30 V		0.2%	2%	
Temperature stability	T _{MIN} < T _A < T _{MAX}		5%	16%	
Total variation	Line, Temperature	340		460	kHz
Clock out high		3.9	4.5		V
Clock out low			2.3	2.9	V
Ramp peak ⁽¹⁾		2.6	2.8	3	V
Ramp valley ⁽¹⁾		0.7	1	1.25	V
Ramp valley to peak ⁽¹⁾		1.6	1.8	2.1	V
ERROR AMPLIFIER					
Input offset voltage				10	mV
Input bias current			0.6	3	μA
Input offset current			0.1	1	μA
Open-loop gain	1 V < V _O < 4 V	60	95		dB
CMRR	1.5 V < V _{CM} < 5.5 V	75	95		dB
PSRR	10 V < V _{CC} < 30 V	85	110		dB
Output sink current	V _{E/AOut} = 1 V	1	2.5		mA
Output source current	V _{E/AOut} = 4 V	-0.5	-1.3		mA
Output high voltage	I _{E/AOut} = -0.5 mA	4	4.7	5	V
Output low voltage	I _{E/AOut} = 1 mA	0	0.5	1	V
Gain bandwidth product ⁽¹⁾	f = 200 kHz	5	10.5		MHz
Slew rate ⁽¹⁾		4	9		V/μs

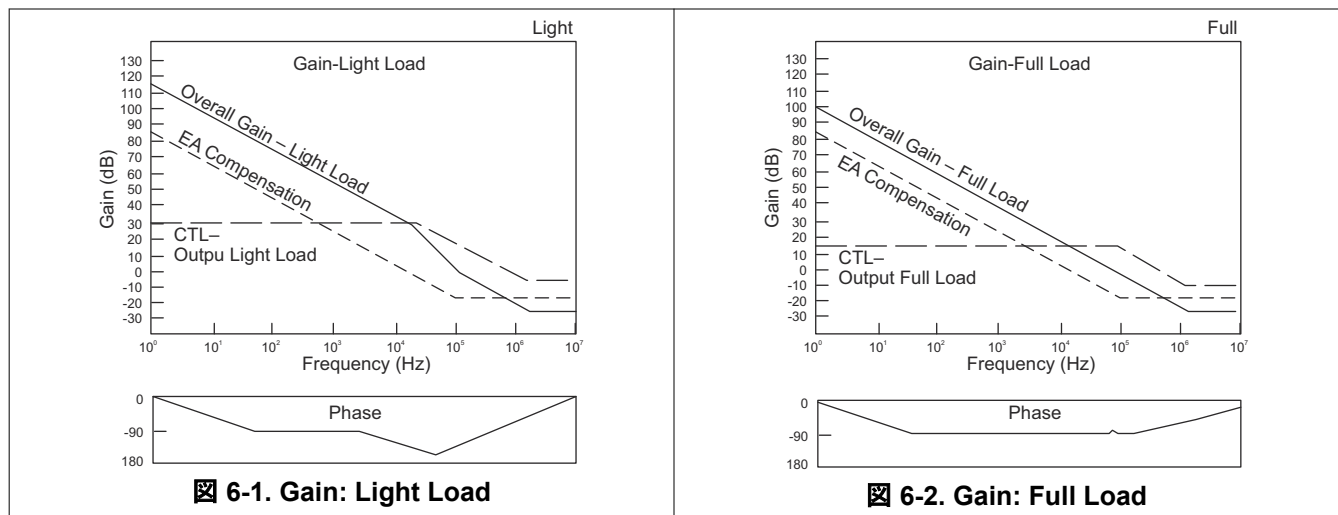
6.5 Electrical Characteristics (continued)

Unless otherwise stated, these specifications apply for $R_T = 3.65\text{ k}\Omega$, $C_T = 1\text{ nF}$, $V_{CC} = 15\text{ V}$, $-55^\circ\text{C} < T_A < 125^\circ\text{C}$, $T_A = T_J$

PARAMETERS	TEST CONDITIONS	MIN	TYP	MAX	UNIT
PWM COMPARATOR					
Ramp bias current	$V_{\text{Ramp}} = 0\text{ V}$		-1	-5	μA
Duty cycle range		0%		80%	
E/A out zero dc threshold	$V_{\text{Ramp}} = 0\text{ V}$	1.1	1.25		V
Delay to output ⁽¹⁾			50	80	ns
SOFT-START					
Charge current	$V_{\text{Soft Start}} = 0.5\text{ V}$	3	9	20	μA
Discharge current	$V_{\text{Soft Start}} = 1\text{ V}$	1			mA
CURRENT LIMIT/SHUTDOWN					
Current limit/shutdown bias current	$0 < V_{\text{ILIM/SD}} < 4\text{ V}$			15	μA
Current limit threshold		0.9	1	1.1	V
Shutdown threshold		1.25	1.4	1.55	V
Delay to output ⁽¹⁾			50	80	ns
OUTPUT					
Low-level output voltage	$I_{\text{OUT}} = 20\text{ mA}$		0.25	0.4	V
	$I_{\text{OUT}} = 200\text{ mA}$		1.2	2.2	
High-level output voltage	$I_{\text{OUT}} = -20\text{ mA}$	13	13.5		V
	$I_{\text{OUT}} = -200\text{ mA}$	12	13		
Collector leakage	$V_C = 30\text{ V}$		10	500	μA
Rise/fall time ⁽¹⁾	$C_L = 1\text{ nF}$		30	75	ns
UNDERVOLTAGE LOCKOUT					
Start threshold		8.8	9.2	9.6	V
UVLO hysteresis		0.4	0.8	1.2	V
SUPPLY CURRENT SECTION					
Startup current	$V_{CC} = 8\text{ V}$		1.1	2.5	mA
I_{CC}	$V_{\text{INV}} = V_{\text{Ramp}} = V_{\text{ILIM/SD}} = 0\text{ V}$, $V_{\text{NI}} = 1\text{ V}$		22	33	mA

(1) Parameters ensured by design and/or characterization, if not production tested.

6.6 Typical Characteristics

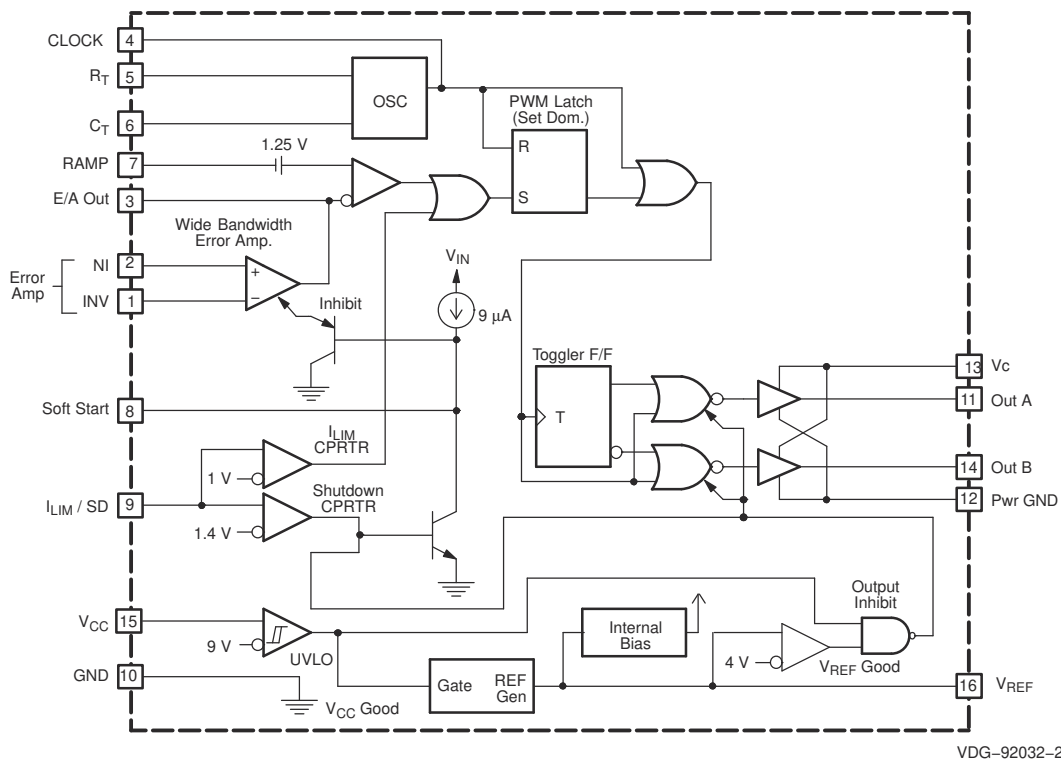


7 Detailed Description

7.1 Overview

UC1825B-SP PWM controller is a radiation hardened version of the standard UC1825 family. Error amplifier gain bandwidth product is 10.5 MHz. Protection circuitry includes a current limit comparator with a 1-V threshold, a TTL compatible shutdown port, and a soft start pin which will double as a maximum duty-cycle clamp. The logic is fully latched to provide jitter-free operation and prohibit multiple pulses at an output. An undervoltage lockout section with 800 mV of hysteresis assures low start up current. During undervoltage lockout, the outputs are high impedance. This device features totem pole outputs designed to source and sink high peak currents from capacitive loads, such as the gate of a power MOSFET. The on state is designed as a high level.

7.2 Functional Block Diagram



7.3 Feature Description

UC1825B-SP can be configured as current mode controller, used to support various topologies such as forward, flyback, buck, boost and using an external interface circuit will also support half-bridge, full bridge, and push-pull configurations.

7.3.1 Control Methods

Figure 7-1 shows the control methods.

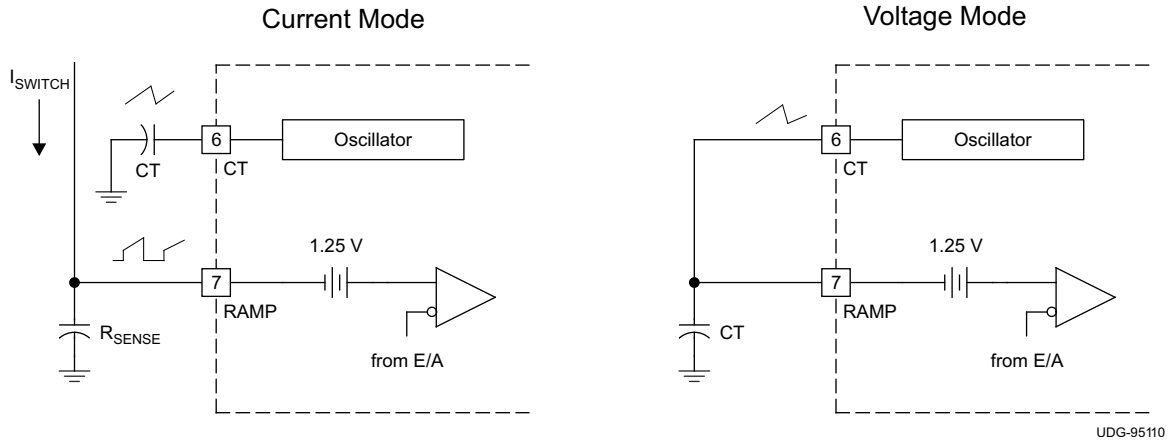


Figure 7-1. Control Methods

7.3.2 Synchronization

The oscillator can be synchronized by an external pulse inserted in series with the timing capacitor (see Figure 7-2). Program the free running frequency of the oscillator to be 10% to 15% slower than the desired synchronous frequency. The pulse width must be greater than 10 ns and less than half the discharge time of the oscillator. Figure 7-3 shows how to synchronize two ICs, with one as primary and one as secondary. Figure 7-4 shows the waveforms in a primary and secondary configuration.

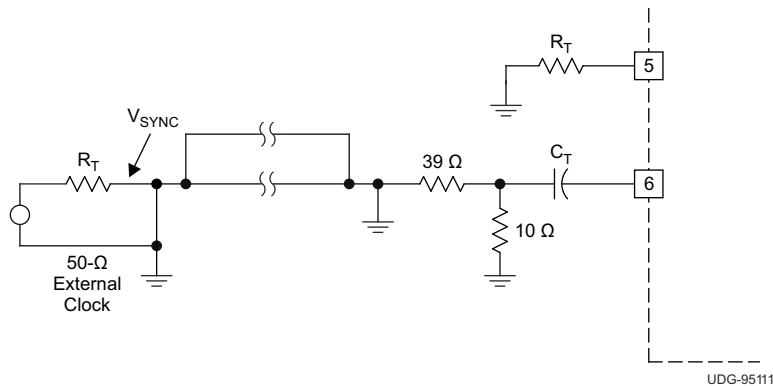
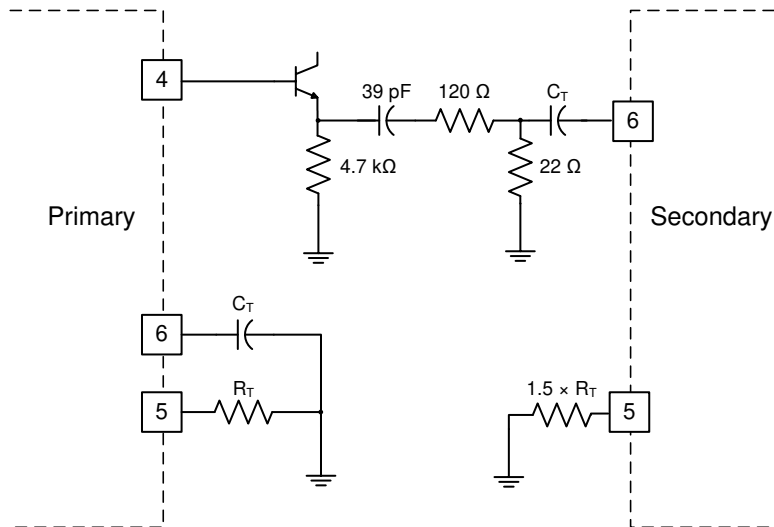
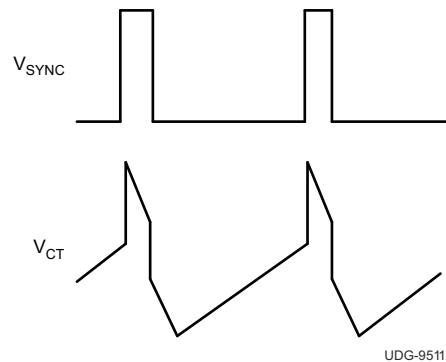


Figure 7-2. General Oscillator Synchronization



7-3. Two Unit Interface



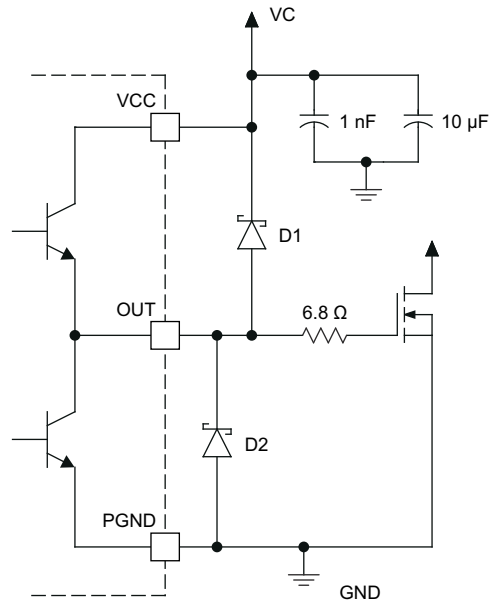
7-4. Operational Waveforms

7.3.3 High Current Outputs

Each totem pole output of the UC1825B-SP can deliver a 2-A peak current into a capacitive load. The output can slew a 1000-pF capacitor by 15 V in approximately 20 ns. Separate collector supply (VC) and power ground (PGND) pins help decouple the analog circuitry of the device from the high-power gate drive noise. The use of 3-A Schottky diodes (1N5120, USD245, or equivalent) as shown in the 10-1 from each output to both VC and PGND are recommended. The diodes clamp the output swing to the supply rails, necessary with any type of inductive or capacitive load, typical of a MOSFET gate, as shown in 7-5. Schottky diodes must be used because a low forward voltage drop is required.

注

Do **not** use standard silicon diodes.



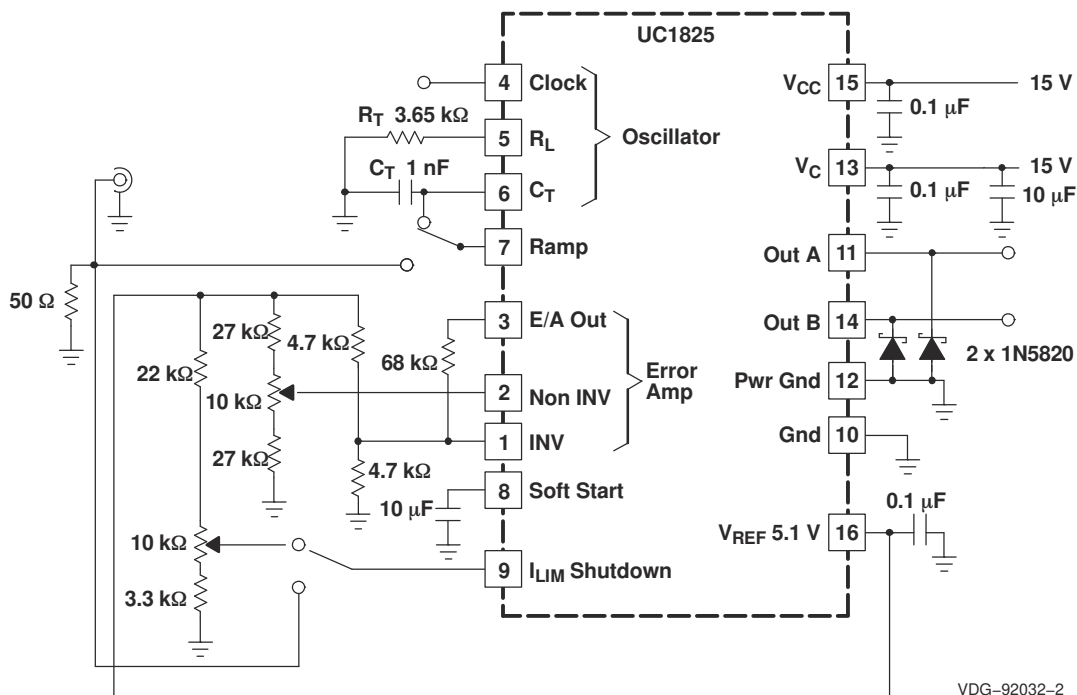
D1, D2 = 1N5820

UDG-95114

7-5. Power MOSFET Drive Circuit

7.3.4 Open Loop Test Circuit

This test fixture is useful for exercising many functions of this device family and measuring their specifications (see 7-6). As with any wideband circuit, careful grounding and bypass procedures must be followed. TI highly recommends using a ground plane.



VDG-92032-2

7-6. Open Loop Test Circuit Schematic

7.4 Device Functional Modes

The UC1825B-SP is compatible with voltage-mode or current-mode topologies. The UC1825B-SP uses fixed frequency, peak current mode control. An internal oscillator initiates the turn-on of the driver to high-side power switch. The external power switch current is sensed through an external resistor and is compared through internal comparator. The voltage generated at the COMP pin is stepped down through internal resistors. When the sensed current reaches the stepped down COMP voltage, the high-side power switch is turned off.

8 Application and Implementation

注

以下のアプリケーション情報は、TI の製品仕様に含まれるものではなく、TI ではその正確性または完全性を保証いたしません。個々の目的に対する製品の適合性については、お客様の責任で判断していただくこととなります。また、お客様は自身の設計実装を検証しテストすることで、システムの機能を確認する必要があります。

8.1 Application Information

The oscillator of the UC1825B-SP is a saw tooth (see [図 8-1](#)). The rising edge is governed by a current controlled by the RT pin and value of capacitance at the CT pin (C_{CT}). The falling edge of the sawtooth sets dead time for the outputs. Selection of RT must be done first, based on desired maximum duty cycle (see [図 8-3](#)). CT can then be chosen based on the desired frequency (RT) and D_{MAX} (see [図 8-2](#)). [式 1](#) shows the design equations.

$$R_T = \frac{3 \text{ V}}{(10 \text{ mA}) \times (1 - D_{MAX})} \quad C_T = \frac{(1.6 \times D_{MAX})}{(R_T \times f)} \quad (1)$$

Recommended values for R_T range from 1 k Ω to 100 k Ω . Control of D_{MAX} less than 70% is not recommended.

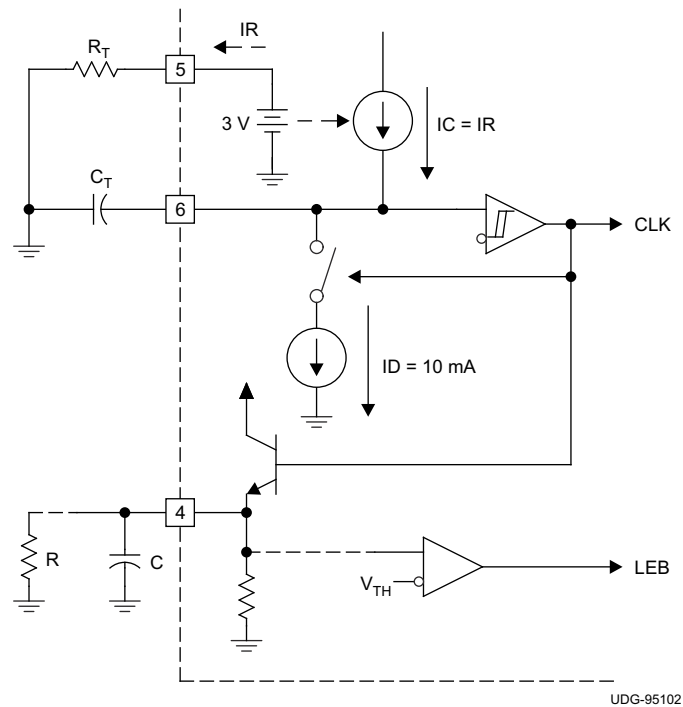
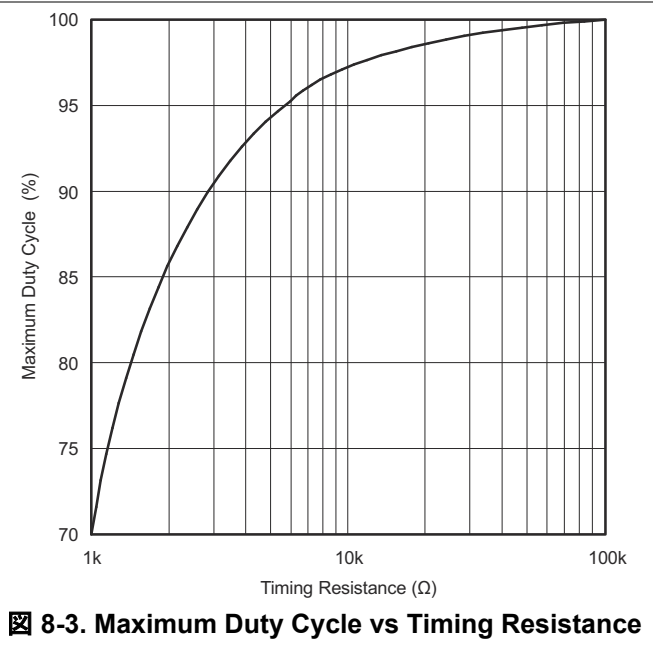
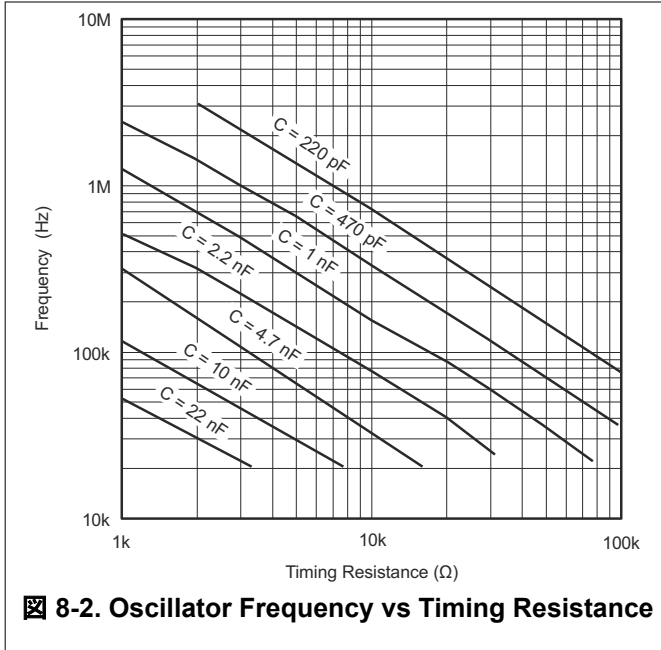
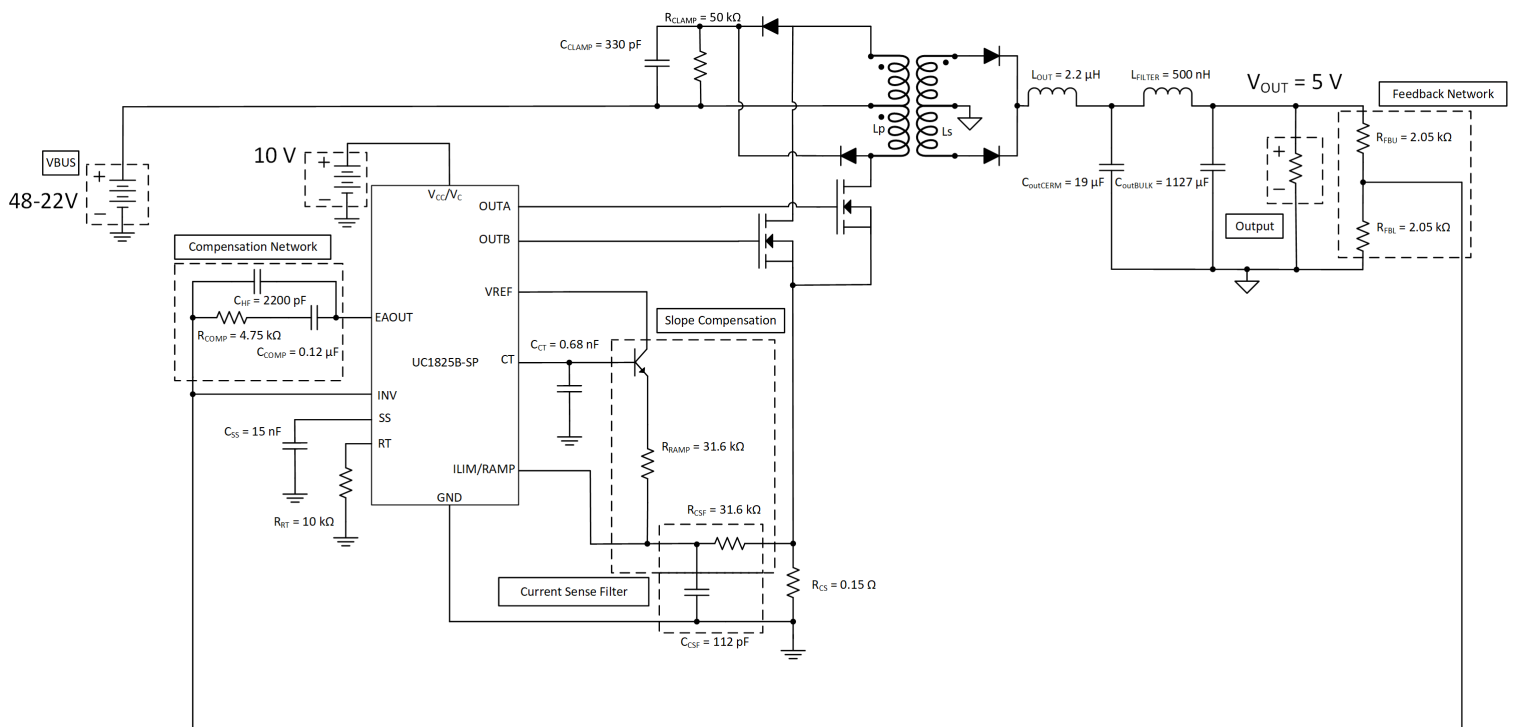


図 8-1. Oscillator



8.2 Typical Application

The UC1825B-SP as a dual output controller that has integrated drivers for a push-pull topology and can be used for half bridge and full bridge applications by using external high side drivers. While the UC1825B-SP originally supported voltage mode topologies, the device with minimal external components can support current mode topologies as well. The RAMP pin is used for the input current sense and the ILIM pin is used as the current limit pin. External components are needed to ensure slope compensation is implemented.



8-4. Typical Application

表 8-1. Design Parameters

PARAMETER	SPECIFICATIONS
Input Power Supply	22 to 48 VDC
Output Voltage	5 VDC
Output Current	0 to 10 A
Output Current Pre-load	0.5 mA
Operating Temperature	25°C
Switching Frequency of UC1825B-SP	215 kHz
Peak Input Current Limit	7 A
Bandwidth	~5 kHz
Phase Margin	~80°

8.2.1 System Design Theory

8.2.1.1 Switching Frequency

Choosing a switching frequency has a trade off between efficiency and bandwidth. Higher switching frequencies will have larger bandwidth, but a lower efficiency than lower switching frequencies. A switching frequency of 215 kHz was chosen as a trade off between bandwidth and efficiency. Using 式 2 for the UC1825B-SP, R_T and C_T were chosen to be 10 k Ω and 680 pF, respectively.

$$f_{osc} \approx \frac{1.46}{R_T \times C_T} \quad (2)$$

$$f_{osc} \approx \frac{1.46}{7.15 \text{ k}\Omega \times 680 \text{ pF}} = 215 \text{ kHz} \quad (3)$$

8.2.1.2 Transformer

The transformer of the design consists of two major values, turns ratio and primary side inductance. There is no minimum limit to the turns ratio of the transformer, just a maximum limit. The equation below will give the turns ratio as a function of duty cycle which if the maximum duty cycle of the converter is used will give you a maximum turns ratio. The UC1825B-SP design targeted a duty cycle of 30%. Since this design is for a dual output device the duty cycle must stay below 50%. If both outputs were running above 50% duty cycle they would have to overlap which is not possible for the topology. The equation of the turns ratio of the transformer is 式 4.

$$N_{psMAX} = \frac{2 \times V_{inMIN} \times D_{lim}}{(V_{out} + V_{Diode})} \quad (4)$$

$$N_{psMAX} = \frac{2 \times 22 \text{ V} \times 0.3}{(5 \text{ V} + 0.7 \text{ V})} = 2.31 \quad (5)$$

Often the turns ratio will slightly change in design due to how the transformer is manufactured. For the UC1825B-SP design a turns ratio of 2.2 was used. Another turns ratio that is important is the turns ratio of the auxiliary winding. The auxiliary winding is found by figuring out what positive voltage is needed from the auxiliary winding. Selecting this voltage lets one pick the turns ratio from the secondary to the auxiliary winding, which in turn allows for the turns ratio from primary to auxiliary to be found. The equation for the turns ratio is 式 6.

$$N_{as} = \frac{N_{ps} \times V_{aux}}{V_{inMIN}} \quad (6)$$

$$N_{as} = \frac{2.2 \times 15 \text{ V}}{22 \text{ V}} = 1.5 \quad (7)$$

An auxiliary winding of 1.5 was used for the UC1825B-SP design. The primary inductance of the transformer is found from picking an appropriate magnetizing current. The magnetizing current of the transformer is the amount of current drawn through the windings of the transformer when the output is open circuited. Decreasing the

magnetizing current will increase the inductance of the transformer, perhaps to unreasonable values. Increasing the magnetizing current will cause efficiency to decrease. It is desirable to keep the magnetizing current low, thus 6% was picked for the design value. The equation for the auxiliary winding turns ratio is 式 8.

$$L_p = \frac{N_{ps} \times V_{inMAX} \times D_{MIN}}{f_{osc} \times \%mag \times I_{out}} \quad (8)$$

$$L_p = \frac{2.2 \times 48 \times 0.13}{215 \text{ kHz} \times 0.06 \times 10} = 106 \text{ } \mu H \quad (9)$$

There are quite a few physical limitations when making transformers that will affect the inductance value. For the UC1825B-SP design a primary inductance of 120 μ H was used. The output inductor was then picked based on the output inductor ripple current with 式 10.

$$L_{inductor} = \frac{\left(\frac{V_{inMAX}}{N_{ps}} - V_f - V_{out}\right) \times D_{MIN}}{f_{osc} \times I_{out} \times \%ripple} \quad (10)$$

$$L_{inductor} = \frac{\left(\frac{48 \text{ V}}{2.2} - 0.7 \text{ V} - 5 \text{ V}\right) \times 0.13}{215 \text{ kHz} \times 10 \text{ A} \times 0.45} = 2.14 \text{ } \mu H \quad (11)$$

In the final design, a 2.2- μ H inductor was used. The peak and primary currents of the transformer are also generally useful for figuring out the physical structure of the transformer, so equations are listed below. Note these equations are only true for continuous conduction mode. Peak currents are higher at the maximum input voltage while the RMS current is highest at the minimum input voltage. These are also idea values and don't take into account efficiency. Final designs needs to be optimized depending on the specific application requirements. Equations that show how to calculate these for this design are below:

$$I_{secMAX} = I_{out} + 0.5 \times \%ripple \times I_{out} \quad (12)$$

$$I_{secMAX} = 10 \text{ A} + 0.5 \times 0.445 \times 10 \text{ A} = 12.23 \text{ A} \quad (13)$$

$$I_{priMAX} = \frac{I_{secMAX} + 0.5 \times \%mag \times I_{out}}{N_{ps}} \quad (14)$$

$$I_{priMAX} = \frac{12.23 \text{ A} + 0.5 \times 0.06 \times 10 \text{ A}}{2.2} = 5.7 \text{ A} \quad (15)$$

$$I_{secMAX}(V_{inMIN}) = I_{out} + \frac{D_{MAX} \times \left(\frac{V_{inMIN}}{N_{ps}} - (V_{out} + V_f)\right)}{2 \times f_{osc} \times L_{inductor}} \quad (16)$$

$$I_{secMAX}(V_{inMIN}) = 10 \text{ A} + \frac{0.285 \times \left(\frac{22 \text{ V}}{2.2} - (5 \text{ V} + 0.7 \text{ V})\right)}{2 \times 215 \text{ kHz} \times 2.2 \text{ } \mu H} = 11.3 \text{ A} \quad (17)$$

$$I_{priMAX}(V_{inMIN}) = \frac{I_{secMAX}(V_{inMIN}) + 0.5 \times \%mag \times I_{out}}{N_{ps}} \quad (18)$$

$$I_{priMIN}(V_{inMIN}) = \frac{11.3 \text{ A} + 0.5 \times 0.06 \times 10}{2.2} = 5.27 \text{ A} \quad (19)$$

$$I_{secMIN}(V_{inMIN}) = I_{out} - \frac{D_{MAX} \times \left(\frac{V_{inMIN}}{N_{ps}} - (V_{out} + V_f)\right)}{2 \times f_{osc} \times L_{inductor}} \quad (20)$$

$$I_{secMIN}(V_{inMIN}) = 10 \text{ A} - \frac{0.285 \times \left(\frac{22 \text{ V}}{2.2} - (5 \text{ V} + 0.7 \text{ V})\right)}{2 \times 215 \text{ kHz} \times 2.2 \text{ } \mu H} = 8.7 \text{ A} \quad (21)$$

$$I_{priMIN}(V_{inMIN}) = \frac{I_{secMIN}(V_{inMIN}) - 0.5 \times \%mag \times I_{out}}{N_{ps}} \quad (22)$$

$$I_{priMIN}(V_{inMIN}) = \frac{8.7 \text{ A} - 0.5 \times 0.06 \times 10}{2.2} = 3.82 \text{ A} \quad (23)$$

$$t_{onMAX} = \frac{(V_{out} + V_f) \times N_{ps}}{2 \times f_{osc} \times V_{inMIN}} \quad (24)$$

$$t_{onMAX} = \frac{(5 \text{ V} + 0.7 \text{ V}) \times 2.2}{2 \times 215 \text{ kHz} \times 22 \text{ V}} = 1.33 \text{ } \mu\text{s} \quad (25)$$

$$m_{pri} = \frac{I_{priMAX}(V_{inMIN}) - I_{priMIN}(V_{inMIN})}{t_{onMAX}} \quad (26)$$

$$m_{pri} = \frac{5.27 - 3.82}{1.33 \text{ } \mu\text{s}} = 1090226 \text{ A/s} \quad (27)$$

$$I_{priRMS} = \sqrt{D_{MIN} \times \left(\frac{(m_{pri} \times t_{onMAX})^2}{3} + \frac{m_{pri}}{2} \times I_{priMIN}(V_{inMIN}) \times t_{onMAX} + I_{priMIN}(V_{inMIN})^2 \right)} \quad (28)$$

$$I_{priRMS} = \sqrt{0.285 \times \left(\frac{(1090226 \text{ A/s} \times 1.33 \text{ } \mu\text{s})^2}{3} + \frac{1090226 \text{ A/s}}{2} \times 3.82 \text{ A} \times 1.33 \text{ } \mu\text{s} + (3.82 \text{ A})^2 \right)} = 2.27 \text{ A} \quad (29)$$

8.2.1.3 RCD and Diode Clamp

For the UC1825BEVM-CVAL a resistor and capacitor in combination with a diode was used to clamp the voltage of the switch node. The resistor and capacitor is generally a value that is found through testing, but starting values can be obtained. To figure out the resistor and capacitor needed for the RCD clamp, one must first decide how much the node is allowed to overshoot. The equation for finding the voltage of the clamp is 式 30.

$$V_{clamp} = K_{clamp} \times N_{ps} \times (V_{out} + V_{Diode}) \quad (30)$$

Note that K_{clamp} is recommended to be 1.5 as this will allow for only around 50% overshoot. Knowing the parasitic inductance of the transformer and how much the RCD clamp voltage is allowed to change over the switching cycle, can allow one to figuring out starting values for the resistor and capacitor using 式 31 and 式 32.

$$R_{clamp} = \frac{V_{clamp}^2}{\frac{1}{2} \times L_{leakage} \times I_{PriPeak}^2 \times \frac{V_{clamp}}{V_{clamp} - N_{ps} \times (V_{out} + V_{Diode})} \times f_{osc}} \quad (31)$$

$$C_{clamp} = \frac{V_{clamp}}{\Delta V_{clamp} \times V_{clamp} \times R_{clamp} \times f_{osc}} \quad (32)$$

A starting value of 10% is generally used for ΔV_{clamp} .

8.2.1.4 Output Diode

The voltage stress by the converter on the diode can be found with 式 33.

$$V_{DiodeStress} = V_{out} + \frac{V_{inMAX}}{N_{ps}} \quad (33)$$

$$V_{DiodeStress} = 5 \text{ V} + \frac{48 \text{ V}}{2.2} = 26.8 \text{ V} \quad (34)$$

Note that any diode picked should have a voltage rating of well above this value as it does not include parasitic spikes in the equation. The UC1825-SP diode was picked to have a voltage rating of 60 V.

8.2.1.5 Main Switching MOSFETs

Each switch applies the input voltage across the transformer and the voltage is then divided down by the turns ratio and applied to the secondary side. Since the magnitude of the voltage across the windings is the input voltage, when the switch is off the primary switching MOSFETs will see twice the input voltage as the voltage stress plus some amount of ringing. This means the MOSFETs chosen for a push-pull topology should have a voltage rating of about 2.5 to 3 times higher than the input voltage.

8.2.1.6 Output Filter and Capacitance

For most designs, a ripple voltage is picked and the output capacitance is figured out from that value. The output capacitance value needs to be able to withstand a full output current step as well as keep the voltage ripple of the output low. The UC1825B-SP design started similar to that using the equations for voltage ripple and load step with 式 35 and 式 37.

$$C_{out} > \frac{I_{out} \times 2 \times D_{MAX}}{V_{Ripple} \times f_{osc}} \quad (35)$$

$$C_{out} > \frac{10 \text{ A} \times 2 \times 0.3}{50 \text{ mV} \times 200 \text{ kHz}} = 600 \text{ } \mu\text{F} \quad (36)$$

$$C_{out} > \frac{\Delta I_{step}}{2\pi \times \Delta V_{out} \times f_{co}} \quad (37)$$

$$C_{out} > \frac{10 \text{ A}}{2\pi \times 0.3 \text{ V} \times 5 \text{ kHz}} = 1060 \text{ } \mu\text{F} \quad (38)$$

A value of around 1145 μF was chosen to keep output voltage ripple low. Note that the output voltage ripple in the design was further decreased by adding an output filter and by adding an inductor after a small portion of the output capacitance. This was done in order to keep output voltage ripple as low as possible. Six ceramic capacitors were picked to be placed before the output filter and then the large tantalum capacitors with some small ceramics were added to be part of the output filter. The initial ceramics will help with the initial current ripple, but have a very large output voltage ripple. This voltage ripple will be attenuated by the inductor and capacitor combination placed between the ceramic capacitors and the output. The equations below allow for finding the amount of attenuation that will come from a specific output filter inductance. An inductance of 500 nH was chosen to attenuate the output voltage ripple. The value was chosen to put the resonant frequency pole well before the switching frequency of the design as well as the zero from the ESR of the bulk capacitors to provide more attenuation.

$$F_{resonant} = \frac{1}{2\pi \times \sqrt{L_{Filter} \times C_{oBulk}}} \quad (39)$$

$$F_{resonant} = \frac{1}{2\pi \times \sqrt{0.5 \text{ nH} \times 1127 \text{ } \mu\text{F}}} = 6.7 \text{ kHz} \quad (40)$$

$$F_{Zero} = \frac{1}{2\pi \times C_{oBulk} \times ESR_{oBulk}} \quad (41)$$

$$F_{Zero} = \frac{1}{2\pi \times 1127 \text{ } \mu\text{F} \times 0.009 \text{ } \Omega} = 15.69 \text{ kHz} \quad (42)$$

$$Attenuation_{f_{sw}} = 40 \times \log_{10}\left(\frac{f_{osc}}{f_{resonant}}\right) - 20 \times \log_{10}\left(\frac{f_{osc}}{f_{zero}}\right) \quad (43)$$

$$Attenuation_{f_{sw}} = 40 \times \log_{10}\left(\frac{200 \text{ kHz}}{6.7 \text{ kHz}}\right) - 20 \times \log_{10}\left(\frac{200 \text{ kHz}}{15.69 \text{ kHz}}\right) = 36.88 \text{ dB} \quad (44)$$

Sometimes the output filter can cause peaking at high frequencies. This can be damped by adding a resistor in parallel with the inductor which will decrease efficiency. For the UC1825B-SP design 0.5 Ω was used as a very conservative value. The resistance needed to damp the peaking can be calculated using the following equations:

$$\omega_o = \sqrt{\frac{2(C_{oCerm} + C_{oBulk})}{L_{Filter} \times C_{oCerm} \times C_{oBulk}}} \quad (45)$$

$$\omega_o = \sqrt{\frac{2(19 \mu F + 1127 \mu F)}{500 \text{ nH} \times 19 \mu F \times 1127 \mu F}} = 463 \text{ kHz} \quad (46)$$

$$R_{Filter} = \frac{R_o \times L_{Filter} \times (C_{oCerm} + C_{oBulk}) - \frac{L_{Filter}}{\omega_o}}{\frac{R_o \times (C_{oCerm} + C_{oBulk})}{\omega_o} - L_{Filter} \times C_{oCerm}} \quad (47)$$

$$R_{Filter} = \frac{0.5 \times 500 \text{ nH} \times (19 \mu F + 1127 \mu F) - \frac{500 \text{ nH}}{463 \text{ kHz}}}{\frac{0.5 \times (19 \mu F + 1127 \mu F)}{463 \text{ kHz}} - 500 \text{ nH} \times 19 \mu F} = 0.232 \Omega \quad (48)$$

8.2.1.7 Compensation

Type IIB compensation was picked for the topology, adding a pole and a zero to the frequency response. The location of where the pole and zero should be placed will depend on the desired crossover frequency and the ESR zero of the output capacitors. The zero in compensation should be placed at least a decade before the crossover frequency for the maximum phase boost. Note that compensation values were picked with a crossover frequency of 5 kHz in mind for this design. The pole from the compensation should be placed at the zero created by the ESR of the output capacitor.

$$f_{zESR} = \frac{1}{2\pi \times C_{out} \times ESR} = \frac{1}{2\pi \times 1146 \mu F \times 0.009 \Omega} = 15.43 \text{ kHz} \quad (49)$$

$$f_{pCOMP} = \frac{1}{2\pi \times R_{COMP} \times C_{HF}} = \frac{1}{2\pi \times 4.75 \text{ k}\Omega \times 2200 \text{ pF}} = 15.23 \text{ kHz} \quad (50)$$

$$f_{zCOMP} = \frac{1}{2\pi \times R_{COMP} \times C_{COMP}} = \frac{1}{2\pi \times 4.75 \text{ k}\Omega \times 0.12 \mu F} = 279 \text{ Hz} \quad (51)$$

The zero from compensation was placed well before the 500-Hz mark which is appropriate. The pole from compensation was optimized while the circuit was tested and thus it was found that placing the pole a little bit earlier smoothed out the frequency response.

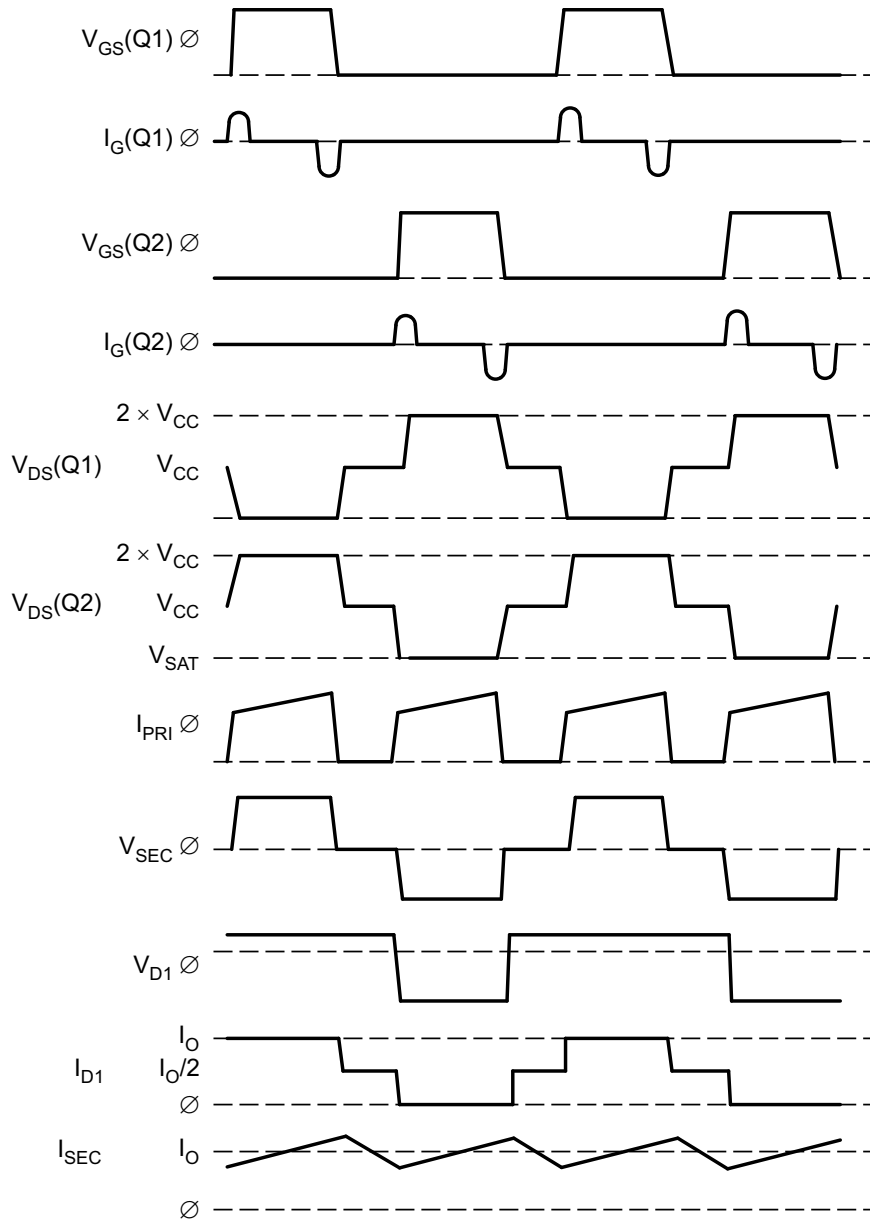
8.2.1.8 Sense Resistor

The sense resistor is used to sense the ripple current from the transformer as well as shutdown the switching cycle if the peak current of the converter is over the current limit set. The voltage threshold of the CS pin is around 1 V and the shutdown current should be above the max current you expect. The max current limit will depend on the specific design. The equation used to find the max current limit is 式 52.

$$R_{CS} = \frac{V_{CS \text{ Threshold}}}{I_{limit}} \quad (52)$$

$$R_{CS} = \frac{1 \text{ V}}{6.66 \text{ A}} = 0.15 \Omega \quad (53)$$

8.3 Application Curves



8-5. Basic Push-Pull Waveforms



8-6. Voltage Stress Across Main Switching MOSFETS Q1 and Q2

The test in 8-6 was done with 48-V input and a 10-A output load.

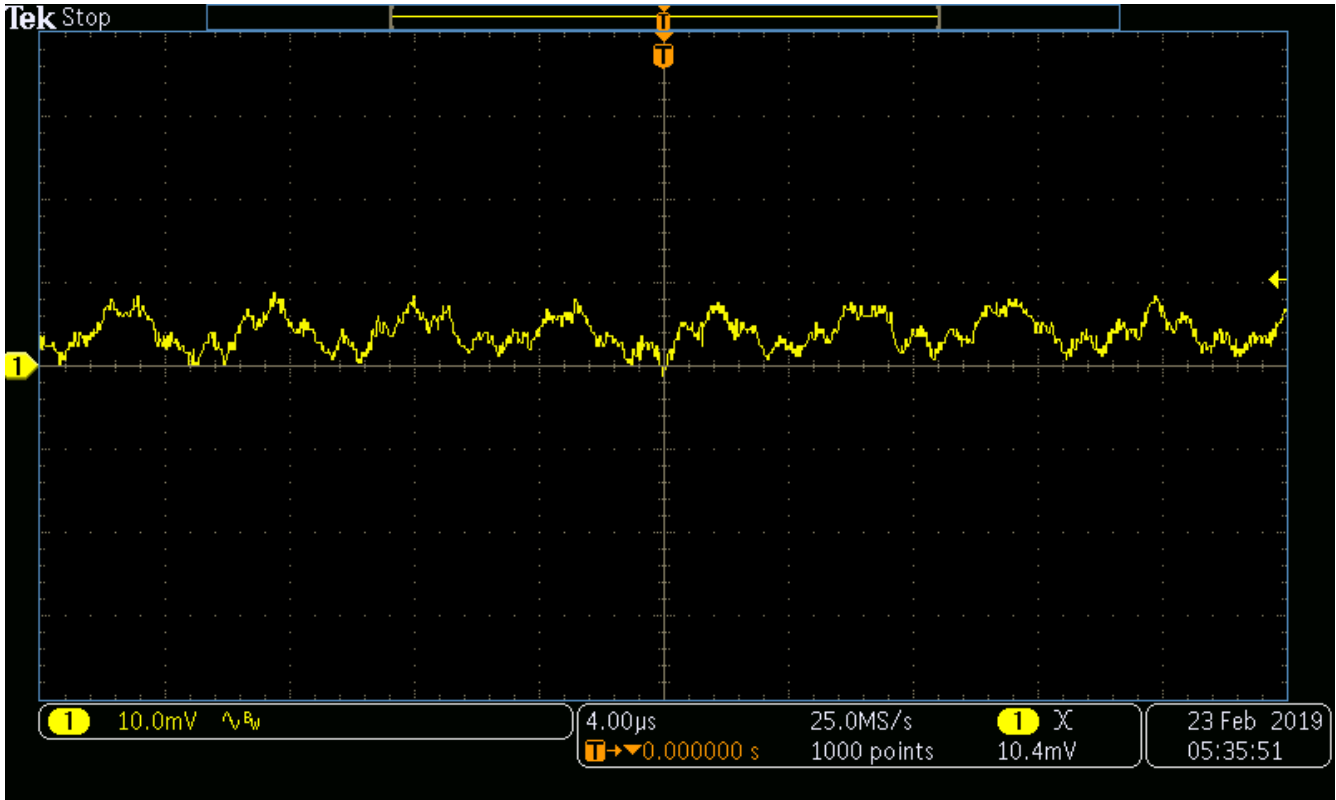


图 8-7. Output Voltage Ripple With 48 V_{IN}

Output voltage ripple test in 图 8-7 was done with 48-V input and 10-A output current.

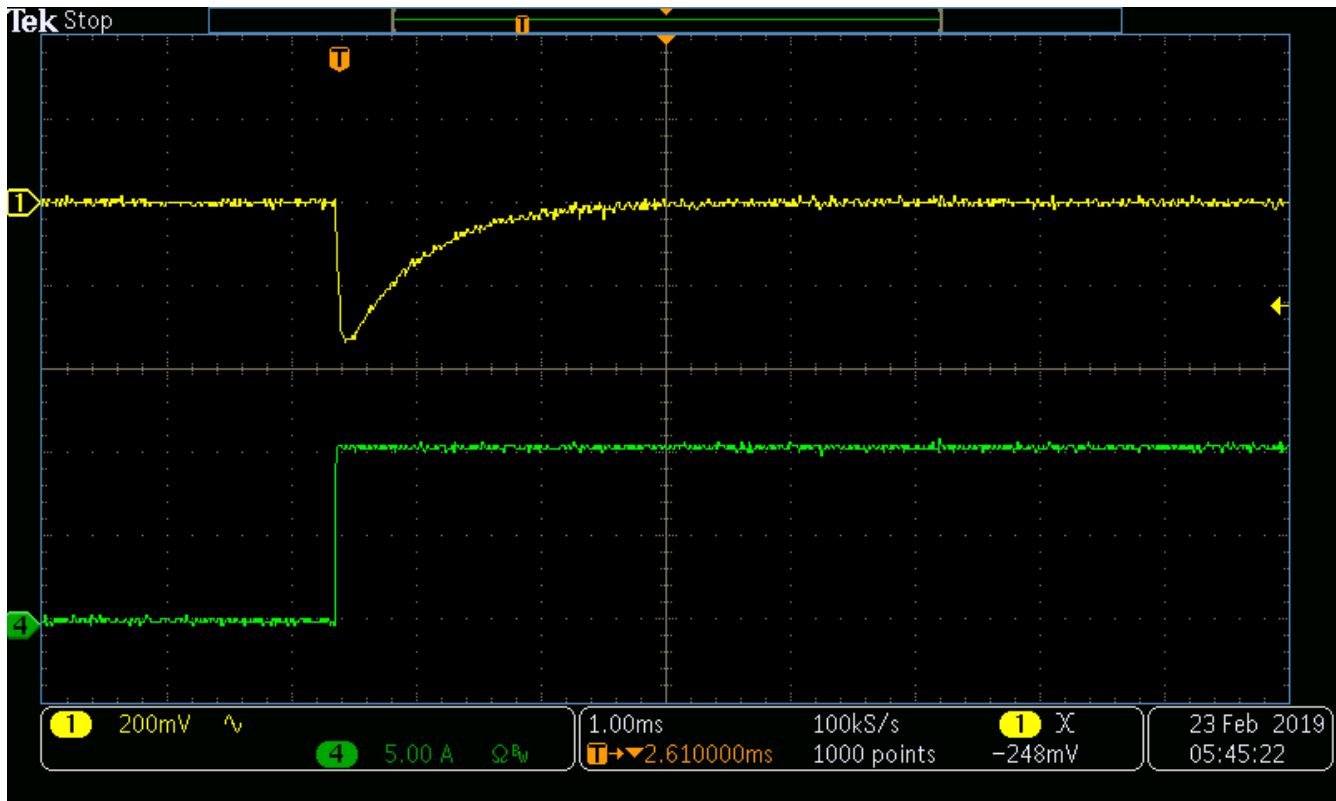


图 8-8. Full Output Voltage Transient With 48 V_{IN}

Full step up transient in 图 8-8 was done with 48-V input and output current was stepped from 0 A to 10 A.

9 Power Supply Recommendations

The UC182B-SP is designed to operate from an input voltage supply range between 10 V and 30 V. This input supply should be well regulated. If the input supply is located more than few inches from the UC1825B-SP converter, additional bulk capacitance may be required in addition to the ceramic bypass capacitors. A tantalum capacitor with a value of 100 μF is a typical choice; however, this may vary depending upon the output power being delivered.

The UC1825B-SP controller can be used to convert power efficiently using any of several standard topologies such as push-pull, forward, half-bridge, or full bridge. Design tradeoffs of cost, size, and performance narrow the field to the one that is most appropriate. For a typical application, such as in [セクション 8.2](#), push-pull converter topology is highlighted.

10 Layout

10.1 Layout Guidelines

Always use a low EMI inductor with a ferrite-type closed core. Some examples would be toroid and encased E core inductors. Open core can be used if they have low EMI characteristics and are located a bit more away from the low power traces and components. Make the poles perpendicular to the PCB as well if using an open core. Stick cores usually emit the most unwanted noise.

10.1.1 Feedback Traces

Run the feedback trace as far from the inductor and noisy power traces as possible. The feedback trace should be as direct as possible and somewhat thick, which sometimes involves a trade-off, but keeping the feedback trace away from inductor EMI and other noise sources is more critical. Run the feedback trace on the side of the PCB opposite of the inductor with a ground plane separating the two.

10.1.2 Input/Output Capacitors

When using a low-value ceramic input filter capacitor, it must be located as close as possible to the VIN pin of the IC. This will eliminate as much trace inductance effects as possible and give the internal IC rail a cleaner voltage supply. Some designs require the use of a feed-forward capacitor connected from the output to the feedback pin as well, usually for stability reasons. In this case, it must also be positioned as close as possible to the IC. Using surface-mount capacitors also reduces lead length and lessens the chance of noise coupling into the effective antenna created by through-hole components.

10.1.3 Compensation Components

External compensation components for stability must also be placed close to the IC. Surface mount components are recommended here as well for the same reasons discussed for the filter capacitors. Locate the surface-mount components away from the inductor.

10.1.4 Traces and Ground Planes

Make all of the power (high current) traces as short, direct, and thick as possible. It is good practice on a standard PCB board to make the traces an absolute minimum of 15 mils (0.381 mm) per Ampere. The inductor, output capacitors, and output diode must be as close as possible to each other. This helps reduce the EMI radiated by the power traces due to the high switching currents through them. This will also reduce lead inductance and resistance as well, which in turn reduces noise spikes, ringing, and resistive losses that produce voltage errors. The grounds of the IC, input capacitors, output capacitors, and output diode (if applicable) must be connected close together directly to a ground plane. It would also be a good idea to have a ground plane on both sides of the PCB. This will reduce noise as well by reducing ground loop errors as well as by absorbing more of the EMI radiated by the inductor. For multilayer boards with more than two layers, a ground plane can be used to separate the power plane (where the power traces and components are) and the signal plane (where the feedback, compensation, and components are) for improved performance. On multilayer boards, the use of vias will be required to connect traces and different planes. It is good practice to use one standard via per 200 mA of current if the trace must conduct a significant amount of current from one plane to the other. Arrange the components so that the switching current loops curl in the same direction. Due to the way switching regulators operate, there are two power states. One state when the switch is on and one state when the switch is

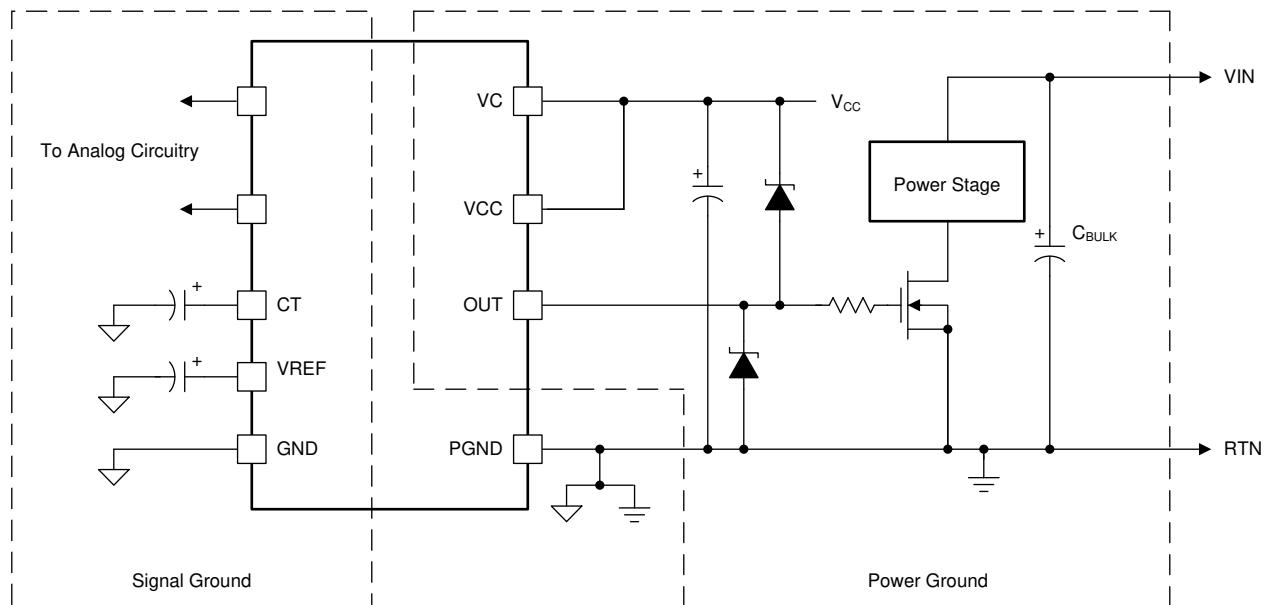
off. During each state there will be a current loop made by the power components that are currently conducting. Place the power components so that during each of the two states the current loop is conducting in the same direction. This prevents magnetic field reversal caused by the traces between the two half-cycles and reduces radiated EMI.

10.1.5 Ground Planes

Each output driver of these devices is capable of 2-A peak currents. Careful layout is essential for correct operation of the chip. A ground plane must be employed. A unique section of the ground plane must be designated for high di/dt currents associated with the output stages. This point is the power ground to which the PGND pin is connected. Power ground can be separated from the rest of the ground plane and connected at a single point, although this is not necessary if the high di/dt paths are well understood and accounted for. VCC must be bypassed directly to power ground with a good high frequency capacitor. The sources of the power MOSFET must connect to power ground as must the return connection for input power to the system and the bulk input capacitor. The output must be clamped with a high current Schottky diode to both VCC and PGND. Nothing else should be connected to power ground.

VREF must be bypassed directly to the signal portion of the ground plane with a good high frequency capacitor. TI recommends low ESR/ESL ceramic 1-mF capacitors for both VCC and VREF. All analog circuitry must likewise be bypassed to the signal ground plane. See [Figure 10-1](#).

10.2 Layout Example



UDG-95115

Figure 10-1. Ground Planes Diagram

11 Device and Documentation Support

11.1 Documentation Support

11.1.1 Related Documentation

For related documentation see the following:

- *Unitrode Application Note U-93*, [SLUA075](#)
- *Unitrode Application Note U-97*, [SLUA101](#)
- *Unitrode Application Note U-110*, [SLUA053](#)

11.2 ドキュメントの更新通知を受け取る方法

ドキュメントの更新についての通知を受け取るには、[ti.com](#) のデバイス製品フォルダを開いてください。「更新の通知を受け取る」をクリックして登録すると、変更されたすべての製品情報に関するダイジェストを毎週受け取れます。変更の詳細については、修正されたドキュメントに含まれている改訂履歴をご覧ください。

11.3 サポート・リソース

[TI E2E™ サポート・フォーラム](#)は、エンジニアが検証済みの回答と設計に関するヒントをエキスパートから迅速かつ直接得ることができる場所です。既存の回答を検索したり、独自の質問をしたりすることで、設計に必要な支援を迅速に得ることができます。

リンクされているコンテンツは、該当する貢献者により、現状のまま提供されるものです。これらは TI の仕様を構成するものではなく、必ずしも TI の見解を反映したものではありません。TI の[使用条件](#)を参照してください。

11.4 Trademarks

TI E2E™ is a trademark of Texas Instruments.

すべての商標は、それぞれの所有者に帰属します。

11.5 静電気放電に関する注意事項



この IC は、ESD によって破損する可能性があります。テキサス・インスツルメンツは、IC を取り扱う際には常に適切な注意を払うことを推奨します。正しい ESD 対策をとらないと、デバイスを破損するおそれがあります。

ESD による破損は、わずかな性能低下からデバイスの完全な故障まで多岐にわたります。精密な IC の場合、パラメータがわずかに変化するだけで公表されている仕様から外れる可能性があるため、破損が発生しやすくなっています。

11.6 用語集

[TI 用語集](#) この用語集には、用語や略語の一覧および定義が記載されています。

12 Mechanical, Packaging, and Orderable Information

The following pages include mechanical, packaging, and orderable information. This information is the most current data available for the designated devices. This data is subject to change without notice and revision of this document. For browser-based versions of this data sheet, refer to the left-hand navigation.

PACKAGING INFORMATION

Orderable Device	Status (1)	Package Type	Package Drawing	Pins	Package Qty	Eco Plan (2)	Lead finish/ Ball material (6)	MSL Peak Temp (3)	Op Temp (°C)	Device Marking (4/5)	Samples
5962R8768106V9A	ACTIVE	XCEPT	KGD	0	25	RoHS & Green	Call TI	N / A for Pkg Type	-55 to 125		Samples
5962R8768106VYC	ACTIVE	CFP	HKT	16	25	RoHS-Exempt & Green	NIAU	N / A for Pkg Type	-55 to 125	5962R8768106VY C UC1825BHKT-SP	Samples
UC1825BHKT/EM	ACTIVE	CFP	HKT	16	25	RoHS-Exempt & Green	NIAU	N / A for Pkg Type	25 to 25	UC1825BHKT/EM EVAL ONLY	Samples

(1) The marketing status values are defined as follows:

ACTIVE: Product device recommended for new designs.

LIFEBUY: TI has announced that the device will be discontinued, and a lifetime-buy period is in effect.

NRND: Not recommended for new designs. Device is in production to support existing customers, but TI does not recommend using this part in a new design.

PREVIEW: Device has been announced but is not in production. Samples may or may not be available.

OBSOLETE: TI has discontinued the production of the device.

(2) **RoHS:** TI defines "RoHS" to mean semiconductor products that are compliant with the current EU RoHS requirements for all 10 RoHS substances, including the requirement that RoHS substance do not exceed 0.1% by weight in homogeneous materials. Where designed to be soldered at high temperatures, "RoHS" products are suitable for use in specified lead-free processes. TI may reference these types of products as "Pb-Free".

RoHS Exempt: TI defines "RoHS Exempt" to mean products that contain lead but are compliant with EU RoHS pursuant to a specific EU RoHS exemption.

Green: TI defines "Green" to mean the content of Chlorine (Cl) and Bromine (Br) based flame retardants meet JS709B low halogen requirements of <=1000ppm threshold. Antimony trioxide based flame retardants must also meet the <=1000ppm threshold requirement.

(3) MSL, Peak Temp. - The Moisture Sensitivity Level rating according to the JEDEC industry standard classifications, and peak solder temperature.

(4) There may be additional marking, which relates to the logo, the lot trace code information, or the environmental category on the device.

(5) Multiple Device Markings will be inside parentheses. Only one Device Marking contained in parentheses and separated by a "~" will appear on a device. If a line is indented then it is a continuation of the previous line and the two combined represent the entire Device Marking for that device.

(6) Lead finish/Ball material - Orderable Devices may have multiple material finish options. Finish options are separated by a vertical ruled line. Lead finish/Ball material values may wrap to two lines if the finish value exceeds the maximum column width.

Important Information and Disclaimer:The information provided on this page represents TI's knowledge and belief as of the date that it is provided. TI bases its knowledge and belief on information provided by third parties, and makes no representation or warranty as to the accuracy of such information. Efforts are underway to better integrate information from third parties. TI has taken and

continues to take reasonable steps to provide representative and accurate information but may not have conducted destructive testing or chemical analysis on incoming materials and chemicals. TI and TI suppliers consider certain information to be proprietary, and thus CAS numbers and other limited information may not be available for release.

In no event shall TI's liability arising out of such information exceed the total purchase price of the TI part(s) at issue in this document sold by TI to Customer on an annual basis.

TUBE


*All dimensions are nominal

Device	Package Name	Package Type	Pins	SPQ	L (mm)	W (mm)	T (μm)	B (mm)
5962R8768106VYC	HKT	CFP (HSL)	16	25	506.98	26.16	6220	NA
UC1825BHKT/EM	HKT	CFP (HSL)	16	25	506.98	26.16	6220	NA

重要なお知らせと免責事項

TI は、技術データと信頼性データ(データシートを含みます)、設計リソース(リファレンス・デザインを含みます)、アプリケーションや設計に関する各種アドバイス、Web ツール、安全性情報、その他のリソースを、欠陥が存在する可能性のある「現状のまま」提供しており、商品性および特定目的に対する適合性の黙示保証、第三者の知的財産権の非侵害保証を含むいかなる保証も、明示的または黙示的にかかわらず拒否します。

これらのリソースは、TI 製品を使用する設計の経験を積んだ開発者への提供を意図したものです。(1) お客様のアプリケーションに適した TI 製品の選定、(2) お客様のアプリケーションの設計、検証、試験、(3) お客様のアプリケーションに該当する各種規格や、その他のあらゆる安全性、セキュリティ、規制、または他の要件への確実な適合に関する責任を、お客様のみが単独で負うものとし、

上記の各種リソースは、予告なく変更される可能性があります。これらのリソースは、リソースで説明されている TI 製品を使用するアプリケーションの開発の目的でのみ、TI はその使用をお客様に許諾します。これらのリソースに関して、他の目的で複製することや掲載することは禁止されています。TI や第三者の知的財産権のライセンスが付与されている訳ではありません。お客様は、これらのリソースを自身で使用した結果発生するあらゆる申し立て、損害、費用、損失、責任について、TI およびその代理人を完全に補償するものとし、TI は一切の責任を拒否します。

TI の製品は、[TI の販売条件](#)、または [ti.com](#) やかかる TI 製品の関連資料などのいずれかを通じて提供する適用可能な条項の下で提供されています。TI がこれらのリソースを提供することは、適用される TI の保証または他の保証の放棄の拡大や変更を意味するものではありません。

お客様がいかなる追加条項または代替条項を提案した場合でも、TI はそれらに異議を唱え、拒否します。

郵送先住所 : Texas Instruments, Post Office Box 655303, Dallas, Texas 75265
Copyright © 2024, Texas Instruments Incorporated