

UCC21750-Q1 アクティブ保護および絶縁アナログ・センシング機能搭載、高CMTI、10A ソース/シンク、強化絶縁型シングル・チャンネル SiC/IGBT ゲート・ドライバ

1 特長

- 5.7kV_{RMS} のシングル・チャンネル絶縁型ゲート・ドライバ
- 車載アプリケーション向けに AEC-Q100 認定済み
 - デバイス温度グレード 1: -40°C ~ +125°C の動作時周囲温度範囲
 - デバイス HBM ESD 分類レベル 3A
 - デバイス CDM ESD 分類レベル C3
- 最高 2121V_{pk} の SiC MOSFET および IGBT
- 最大出力駆動電圧: 33V (VDD - VEE)
- ±10A の駆動強度と分割出力
- CMTI: 150V/ns 以上
- 高速 DESAT 保護、200ns の応答時間
- 4A の内部アクティブ・ミラー・クランプ
- フォルト発生時の 400mA ソフト・ターンオフ
- PWM 出力を備えた絶縁アナログ・センサで
 - NTC、PTC、サーマル・ダイオードによる温度センシング
 - 高電圧 DC リンクまたは相電圧
- 過電流時の FLT アラームと RST/EN からのリセット
- RST/EN での高速イネーブル/ディセーブル応答
- 入力ピンの 40ns 未満のノイズ過渡およびパルスを除く
- 12V VDD UVLO (RDY によるパワー・グッド通知付き)
- 最大 5V のオーバー/アンダーシュート過渡電圧に耐える入力/出力
- 伝搬遅延時間: 130ns 以下、パルス/部品スキュー: 30ns 以下
- 沿面距離と空間距離が 8mm を超える SOIC-16 DW パッケージ
- 動作時の接合部温度: -40°C ~ 150°C
- 安全関連認証:
 - DIN EN IEC 60747-17 (VDE 0884-17) に準拠した強化絶縁
 - UL 1577 部品認定プログラム

2 アプリケーション

- EV 用トラクション・インバータ
- オンボード・チャージャおよび充電ステーション
- HEV/EV 用 DC/DC コンバータ

3 概要

UCC21750-Q1 は、先進の保護機能、クラス最高の動的性能、堅牢性を持ち合わせ、最高 2121V (DC) で動作する SiC MOSFET および IGBT 用に設計されたガルバニ

ック絶縁型シングル・チャンネル・ゲート・ドライバです。UCC21750-Q1 は最大 ±10A のピーク・ソース/シンク電流を供給できます。

入力側は SiO₂ 容量性絶縁技術によって出力側から絶縁され、最大 1.5kV_{RMS} の動作電圧に対応し、40 年を超える寿命の絶縁バリアにより 12.8kV_{PK} のサージ耐性を備えるとともに、部品間スキューが小さく、150V/ns を超える同相ノイズ耐性 (CMTI) を実現しています。

UCC21750-Q1 は、高速の過電流および短絡検出、シャント電流センシング、フォルト通知、アクティブ・ミラー・クランプ、入力側および出力側電源 UVLO などの最新の保護機能を備えているため、SiC および IGBT のスイッチング動作や堅牢性を最適化できます。アナログから PWM へ信号を変換する、この絶縁型センサは、温度または電圧のセンシングを簡単に行えるため、ドライバの汎用性をさらに高め、システムの設計工数、サイズ、およびコストを簡素化できます。

デバイス情報

| 部品番号 | パッケージ ⁽¹⁾ | 本体サイズ (公称) |
|-------------|----------------------|----------------|
| UCC21750-Q1 | DW SOIC-16 | 10.3mm × 7.5mm |

- (1) 利用可能なすべてのパッケージについては、このデータシートの末尾にある注文情報を参照してください。

デバイスのピン構成

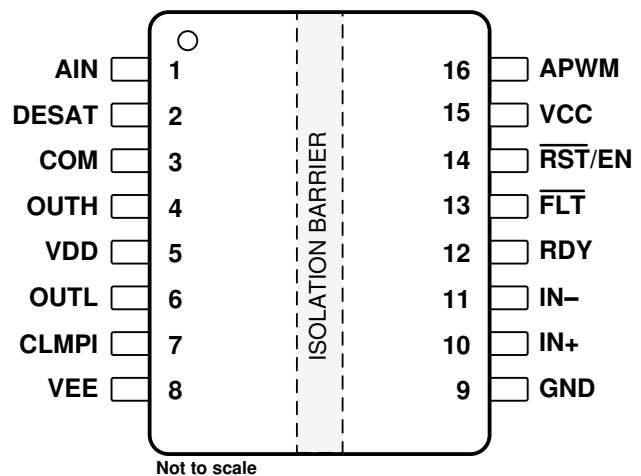


Table of Contents

| | | | |
|--|----|--|----|
| 1 特長 | 1 | 7.5 Desaturation (DESAT) Protection..... | 22 |
| 2 アプリケーション | 1 | 8 Detailed Description | 24 |
| 3 概要 | 1 | 8.1 Overview..... | 24 |
| 4 Revision History | 2 | 8.2 Functional Block Diagram..... | 25 |
| 5 Pin Configuration and Functions | 4 | 8.3 Feature Description..... | 25 |
| 6 Specifications | 5 | 8.4 Device Functional Modes..... | 31 |
| 6.1 Absolute Maximum Ratings..... | 5 | 9 Applications and Implementation | 32 |
| 6.2 ESD Ratings..... | 5 | 9.1 Application Information..... | 32 |
| 6.3 Recommended Operating Conditions..... | 5 | 9.2 Typical Application..... | 32 |
| 6.4 Thermal Information..... | 6 | 10 Power Supply Recommendations | 44 |
| 6.5 Power Ratings..... | 6 | 11 Layout | 45 |
| 6.6 Insulation Specifications..... | 6 | 11.1 Layout Guidelines..... | 45 |
| 6.7 Safety Limiting Values..... | 7 | 11.2 Layout Example..... | 46 |
| 6.8 Electrical Characteristics..... | 7 | 12 Device and Documentation Support | 47 |
| 6.9 Safety-Related Certifications..... | 9 | 12.1 Device Support..... | 47 |
| 6.10 Switching Characteristics..... | 10 | 12.2 Documentation Support..... | 47 |
| 6.11 Insulation Characteristics Curves..... | 11 | 12.3 ドキュメントの更新通知を受け取る方法..... | 47 |
| 6.12 Typical Characteristics..... | 12 | 12.4 サポート・リソース..... | 47 |
| 7 Parameter Measurement Information | 17 | 12.5 Trademarks..... | 47 |
| 7.1 Propagation Delay..... | 17 | 12.6 静電気放電に関する注意事項..... | 47 |
| 7.2 Input Deglitch Filter..... | 18 | 12.7 用語集..... | 47 |
| 7.3 Active Miller Clamp..... | 19 | 13 Mechanical, Packaging, and Orderable Information | 47 |
| 7.4 Undervoltage Lockout (UVLO)..... | 20 | | |

4 Revision History

資料番号末尾の英字は改訂を表しています。その改訂履歴は英語版に準じています。

Changes from Revision C (January 2023) to Revision D (November 2023) Page

| | |
|---|---|
| • 「特長」の ESD レベルを、最新の規格に合わせて C3 に変更..... | 1 |
| • 「特長」のデバイス温度グレードを 0 から 1 に変更..... | 1 |

Changes from Revision B (March 2020) to Revision C (January 2023) Page

| | |
|---|----|
| • 「特長」に AEC-Q100 サブ箇条書き項目を追加..... | 1 |
| • 特長に安全関連認証を追加..... | 1 |
| • Added what to do with unused pins to pin functions table..... | 4 |
| • Changed recommended value of decoupling capacitors. | 4 |
| • Added recommended decoupling capacitor layout placement. | 4 |
| • Changed test conditions per DIN EN IEC 60747-17 (VDE 0884-17) | 6 |
| • Changed I _{chg} lower limit to 430uA..... | 7 |
| • Changed V _{Ain} lower limit to 0.6V..... | 7 |
| • Changed direction of I _{CLMP1} in V _{CLP-CLMP1} test condition..... | 7 |
| • Added test condition for soft turn-off current..... | 7 |
| • Deleted short circuit clamping max condition..... | 7 |
| • Changed VDE and UL to certified..... | 9 |
| • Changed DESAT figure..... | 29 |
| • Changed DESAT soft turn-off figure..... | 29 |
| • Added function state showing gate driver turning on. Changed RDY condition when VCC is PD. | 31 |

Changes from Revision A (March 2020) to Revision B (March 2020) Page

| | |
|---|---|
| • Deleted test voltage, 9600V, from value column..... | 6 |
|---|---|

Changes from Revision * (September 2019) to Revision A (March 2020)

Page

- マーケティング・ステータスを事前情報から量産データに変更..... **1**
-

5 Pin Configuration and Functions

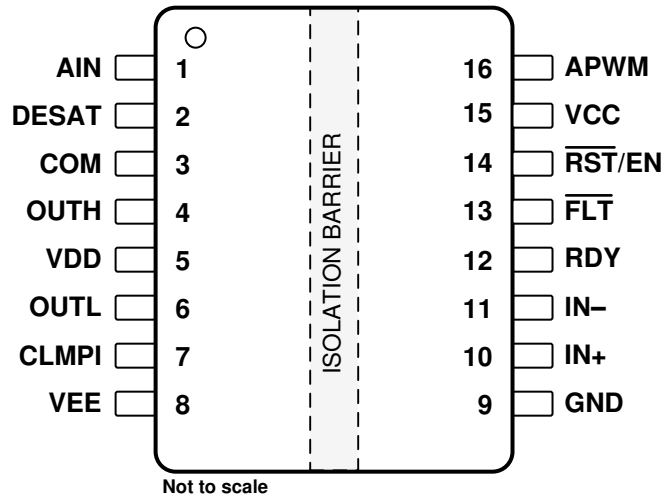


図 5-1. UCC21750-Q1 DW SOIC (16) Top View

表 5-1. Pin Functions

| PIN | | I/O ⁽¹⁾ | DESCRIPTION |
|--------|-----|--------------------|---|
| NAME | NO. | | |
| AIN | 1 | I | Isolated analog sensing input, parallel a small capacitor to COM for better noise immunity. Tie to COM if unused. |
| DESAT | 2 | I | Desaturation current protection input. Tie to COM if unused. |
| COM | 3 | P | Common ground reference, connecting to emitter pin for IGBT and source pin for SiC-MOSFET. |
| OUTH | 4 | O | Gate driver output pull up. |
| VDD | 5 | P | Positive supply rail for gate drive voltage. Bypass with a >10- μ F capacitor to COM to support specified gate driver source peak current capability. Place decoupling capacitor close to the pin. |
| OUTL | 6 | O | Gate driver output pull down. |
| CLMPI | 7 | I | Internal Active miller clamp, connecting this pin directly to the gate of the power transistor. Leave floating or tie to VEE if unused. |
| VEE | 8 | P | Negative supply rail for gate drive voltage. Bypass with a >10- μ F capacitor to COM to support specified gate driver sink peak current capability. Place decoupling capacitor close to the pin. |
| GND | 9 | P | Input power supply and logic ground reference. |
| IN+ | 10 | I | Non-inverting gate driver control input. Tie to VCC if unused. |
| IN- | 11 | I | Inverting gate driver control input. Tie to GND if unused. |
| RDY | 12 | O | Power good for VCC-GND and VDD-COM. RDY is open drain configuration and can be paralleled with other RDY signals. |
| FLT | 13 | O | Active low fault alarm output upon over current or short circuit. FLT is in open drain configuration and can be paralleled with other faults. |
| RST/EN | 14 | I | The RST/EN serves two purposes: 1) Enable / shutdown of the output side. The FET is turned off by a regular turn-off, if terminal EN is set to low; 2) Resets the DESAT condition signaled on FLT pin if terminal RST/EN is set to low for more than 1000 ns. A reset of signal FLT is asserted at the rising edge of terminal RST/EN. For automatic RESET function, this pin only serves as an EN pin. Enable / shutdown of the output side. The FET is turned off by a regular turn-off, if terminal EN is set to low. |
| VCC | 15 | P | Input power supply from 3 V to 5.5 V. Bypass with a >1- μ F capacitor to GND. Place decoupling capacitor close to the pin. |
| APWM | 16 | O | Isolated Analog Sensing PWM output. Leave floating if unused. |

(1) P = Power, G = Ground, I = Input, O = Output

6 Specifications

6.1 Absolute Maximum Ratings

over operating free-air temperature range (unless otherwise noted)⁽¹⁾

| PARAMETER | | MIN | MAX | UNIT |
|---|--------------------------------|--|---------|------|
| VCC | VCC – GND | –0.3 | 6 | V |
| VDD | VDD – COM | –0.3 | 36 | V |
| VEE | VEE – COM | –17.5 | 0.3 | V |
| V _{MAX} | VDD – VEE | –0.3 | 36 | V |
| IN+, IN–, $\overline{\text{RST}}/\text{EN}$ | DC | GND–0.3 | VCC | V |
| | | Transient, less than 100 ns ⁽²⁾ | VCC+5.0 | V |
| DESAT | Reference to COM | COM–0.3 | VDD+0.3 | V |
| AIN | Reference to COM | –0.3 | 5 | V |
| OUTH, OUTL, CLMPI | DC | VEE–0.3 | VDD | V |
| | | Transient, less than 100 ns ⁽²⁾ | VDD+5.0 | V |
| RDY, FLT, APWM | | GND–0.3 | VCC | V |
| I _{FLT} , I _{RDY} | FLT, and RDY pin input current | | 20 | mA |
| I _{APWM} | APWM pin output current | | 20 | mA |
| T _J | Junction temperature range | –40 | 150 | °C |
| T _{stg} | Storage temperature range | –65 | 150 | °C |

- (1) Operation outside the *Absolute Maximum Ratings* may cause permanent device damage. *Absolute Maximum Ratings* do not imply functional operation of the device at these or any other conditions beyond those listed under *Recommended Operating Conditions*. If outside the *Recommended Operating Conditions* but within the *Absolute Maximum Ratings*, the device may not be fully functional, and this may affect device reliability, functionality, performance, and shorten the device lifetime.
- (2) Values are verified by characterization on bench.

6.2 ESD Ratings

| | | VALUE | UNIT |
|--------------------|-------------------------|---|-------|
| V _(ESD) | Electrostatic discharge | Human-body model (HBM), per AEC Q100-002 ⁽¹⁾ | ±4000 |
| | | Charged-device model (CDM), per AEC Q100-011 | ±1500 |

- (1) AEC Q100-002 indicates that HBM stressing shall be in accordance with the ANSI/ESDA/JEDEC JS-001 specification.

6.3 Recommended Operating Conditions

| PARAMETER | | MIN | MAX | UNIT |
|---|--|--------------------------|---------|---------|
| VCC | VCC–GND | 3.0 | 5.5 | V |
| VDD | VDD–COM | 13 | 33 | V |
| V _{MAX} | VDD–VEE | – | 33 | V |
| IN+, IN–, $\overline{\text{RST}}/\text{EN}$ | Reference to GND | High level input voltage | 0.7×VCC | VCC |
| | | Low level input voltage | 0 | 0.3×VCC |
| AIN | Reference to COM | 0.6 | 4.5 | V |
| t _{RST/EN} | Minimum pulse width that reset the fault | 800 | | ns |
| T _A | Ambient temperature | –40 | 125 | °C |
| T _J | Junction temperature | –40 | 150 | °C |

6.4 Thermal Information

| THERMAL METRIC ⁽¹⁾ | | UCC21750-Q1 | UNIT |
|-------------------------------|--|-------------|------|
| | | DW (SOIC) | |
| | | 16 PINS | |
| R _{θJA} | Junction-to-ambient thermal resistance | 68.3 | °C/W |
| R _{θJC(top)} | Junction-to-case (top) thermal resistance | 27.5 | °C/W |
| R _{θJB} | Junction-to-board thermal resistance | 32.9 | °C/W |
| ψ _{JT} | Junction-to-top characterization parameter | 14.1 | °C/W |
| ψ _{JB} | Junction-to-board characterization parameter | 32.3 | °C/W |

(1) For more information about traditional and new thermal metrics, see the [Semiconductor and IC Package Thermal Metrics](#) application report.

6.5 Power Ratings

| PARAMETER | TEST CONDITIONS | Value | UNIT |
|-----------------|---|-------|------|
| P _D | Maximum power dissipation (both sides) | 985 | mW |
| P _{D1} | Maximum power dissipation by transmitter side | 20 | mW |
| P _{D2} | Maximum power dissipation by receiver side | 965 | mW |

VCC = 5 V, VDD-COM = 20 V, COM-VEE = 5 V, IN+/- = 5 V, 150 kHz, 50% Duty Cycle for a 10-nF load, T_a = 25°C

6.6 Insulation Specifications

| PARAMETER | TEST CONDITIONS | VALUE | UNIT |
|--|--|--|-----------------------|
| GENERAL | | | |
| CLR | External clearance ⁽¹⁾ | Shortest terminal-to-terminal distance through air | > 8 mm |
| CPG | External creepage ⁽¹⁾ | Shortest terminal-to-terminal distance across the package surface | > 8 mm |
| DTI | Distance through the insulation | Minimum internal gap (Internal clearance) of the double insulation (2 × 0.0085 mm) | > 17 μm |
| CTI | Comparative tracking index | DIN EN 60112 (VDE 0303-11); IEC 60112 | > 600 V |
| | Material group | According to IEC 60664-1 | I |
| | Overvoltage Category per IEC 60664-1 | Rated mains voltage ≤ 300 V _{RMS} | I-IV |
| | | Rated mains voltage ≤ 600 V _{RMS} | I-IV |
| | | Rated mains voltage ≤ 1000 V _{RMS} | I-III |
| DIN EN IEC 60747-17 (VDE 0884-17)⁽²⁾ | | | |
| V _{IORM} | Maximum repetitive peak isolation voltage | AC voltage (bipolar) | 2121 V _{PK} |
| V _{IOWM} | Maximum isolation working voltage | AC voltage (sine wave) Time dependent dielectric breakdown (TDDb) test | 1500 V _{RMS} |
| | | DC voltage | 2121 V _{DC} |
| V _{IMP} | Maximum impulse voltage | Tested in air, 1.2/50-μs waveform per IEC 62368-1 | 8000 V _{PK} |
| V _{IOTM} | Maximum transient isolation voltage | V _{TEST} =V _{IOTM} , t = 60 s (qualification test) | 8000 V _{PK} |
| | | V _{TEST} =1.2 × V _{IOTM} , t = 1 s (100% production test) | |
| V _{IOSM} | Maximum surge isolation voltage ⁽³⁾ | Test method per IEC 62368-1, 1.2/50 μs waveform | 12800 V _{PK} |

6.6 Insulation Specifications (続き)

| PARAMETER | TEST CONDITIONS | VALUE | UNIT |
|---|--|--------------------|------------------|
| q _{pd} Apparent charge ⁽⁴⁾ | Method a: After I/O safety test subgroup 2/3, V _{ini} = V _{IOTM} , t _{ini} = 60 s; V _{pd(m)} = 1.2 × V _{IORM} = 2545 V _{PK} , t _m = 10 s | ≤ 5 | pC |
| | Method a: After environmental tests subgroup 1, V _{ini} = V _{IOTM} , t _{ini} = 60 s; V _{pd(m)} = 1.6 × V _{IORM} = 3394 V _{PK} , t _m = 10 s | ≤ 5 | |
| | Method b1: At routine test (100% production) and preconditioning (type test) V _{ini} = V _{IOTM} , t _{ini} = 1 s; V _{pd(m)} = 1.875 × V _{IORM} = 3977 V _{PK} , t _m = 1 s | ≤ 5 | |
| C _{IO} Barrier capacitance, input to output ⁽⁵⁾ | V _{IO} = 0.5 sin(2πft), f = 1 MHz | ~ 1 | pF |
| R _{IO} Insulation resistance, input to output ⁽⁵⁾ | V _{IO} = 500 V, T _A = 25°C | ≥ 10 ¹² | Ω |
| | V _{IO} = 500 V, 100°C ≤ T _A ≤ 125°C | ≥ 10 ¹¹ | |
| | V _{IO} = 500 V at T _S = 150°C | ≥ 10 ⁹ | |
| Pollution degree | | 2 | |
| Climatic category | | 40/125/21 | |
| UL 1577 | | | |
| V _{ISO} Withstand isolation voltage | V _{TEST} = V _{ISO} = 5700 V _{RMS} , t = 60 s (qualification); V _{TEST} = 1.2 × V _{ISO} = 6840 V _{RMS} , t = 1 s (100% production) | 5700 | V _{RMS} |

- Apply creepage and clearance requirements according to the specific equipment isolation standards of an application. Care must be taken to maintain the creepage and clearance distance of a board design to ensure that the mounting pads of the isolator on the printed circuit board (PCB) do not reduce this distance. Creepage and clearance on a PCB become equal in certain cases. Techniques such as inserting grooves and ribs on the PCB are used to help increase these specifications.
- This coupler is suitable for safe electrical insulation only within the safety ratings. Compliance with the safety ratings shall be ensured by means of suitable protective circuits.
- Testing is carried out in air or oil to determine the intrinsic surge immunity of the isolation barrier.
- Apparent charge is electrical discharge caused by a partial discharge (pd).
- All pins on each side of the barrier tied together creating a two-terminal device.

6.7 Safety Limiting Values

Safety limiting⁽¹⁾ intends to minimize potential damage to the isolation barrier upon failure of input or output circuitry. A failure of the I/O can allow low resistance to ground or the supply and, without current limiting, dissipate sufficient power to overheat the die and damage the isolation barrier, potentially leading to secondary system failures.

| PARAMETER | TEST CONDITIONS | MIN | TYP | MAX | UNIT |
|--|--|-----|-----|------|------|
| I _S Safety input, output, or supply current | R _{θJA} = 68.3°C/W, V _{DD} = 15 V, V _{EE} = -5 V, T _J = 150°C, T _A = 25°C | | | 61 | mA |
| | R _{θJA} = 68.3°C/W, V _{DD} = 20 V, V _{EE} = -5 V, T _J = 150°C, T _A = 25°C | | | 49 | |
| P _S Safety input, output, or total power | R _{θJA} = 68.3°C/W, V _{DD} = 20 V, V _{EE} = -5 V, T _J = 150°C, T _A = 25°C | | | 1220 | mW |
| T _S Safety temperature | | | | 150 | °C |

- The safety-limiting constraint is the maximum junction temperature specified in the data sheet. The power dissipation and junction-to-air thermal impedance of the device installed in the application hardware determines the junction temperature. The assumed junction-to-air thermal resistance in the [Thermal Information](#) table is that of a device installed on a high-K test board for leaded surface-mount packages. The power is the recommended maximum input voltage times the current. The junction temperature is then the ambient temperature plus the power times the junction-to-air thermal resistance.

6.8 Electrical Characteristics

V_{CC} = 3.3 V or 5.0 V, 1-μF capacitor from V_{CC} to GND, V_{DD} – COM = 20 V, 18 V or 15 V, COM – V_{EE} = 0 V, 5 V, 8 V or 15 V, C_L = 100 pF, -40°C < T_J < 150°C (unless otherwise noted)^{(1) (2)}.

| PARAMETER | TEST CONDITIONS | MIN | TYP | MAX | UNIT |
|-------------------------------------|-----------------|-----|-----|-----|------|
| VCC UVLO THRESHOLD AND DELAY | | | | | |

6.8 Electrical Characteristics (続き)

VCC = 3.3 V or 5.0 V, 1- μ F capacitor from VCC to GND, VDD – COM = 20 V, 18 V or 15 V, COM – VEE = 0 V, 5 V, 8 V or 15 V, C_L = 100 pF, –40°C < T_J < 150°C (unless otherwise noted)^{(1) (2)}.

| PARAMETER | | TEST CONDITIONS | MIN | TYP | MAX | UNIT |
|---|---|--|------|-----------|------|------------|
| V _{VCC_ON} | VCC–GND | | 2.55 | 2.7 | 2.85 | V |
| V _{VCC_OFF} | | | 2.35 | 2.5 | 2.65 | |
| V _{VCC_HYS} | | | | 0.2 | | |
| t _{VCCFIL} | VCC UVLO Deglitch time | | | 10 | | μ s |
| t _{VCC+ to OUT} | VCC UVLO on delay to output high | IN+ = VCC, IN– = GND | 28 | 37.8 | 50 | |
| t _{VCC– to OUT} | VCC UVLO off delay to output low | | 5 | 10 | 15 | |
| t _{VCC+ to RDY} | VCC UVLO on delay to RDY high | RST/EN = VCC | 30 | 37.8 | 50 | |
| t _{VCC– to RDY} | VCC UVLO off delay to RDY low | | 5 | 10 | 15 | |
| VDD UVLO THRESHOLD AND DELAY | | | | | | |
| V _{VDD_ON} | VDD–COM | | 10.5 | 12.0 | 12.8 | V |
| V _{VDD_OFF} | | | 9.9 | 10.7 | 11.8 | |
| V _{VDD_HYS} | | | | 0.8 | | |
| t _{VDDFIL} | VDD UVLO Deglitch time | | | 5 | | μ s |
| t _{VDD+ to OUT} | VDD UVLO on delay to output high | IN+ = VCC, IN– = GND | 2 | 5 | 8 | |
| t _{VDD– to OUT} | VDD UVLO off delay to output low | | 5 | 10 | 15 | |
| t _{VDD+ to RDY} | VDD UVLO on delay to RDY high | RST/EN = FLT=High | | 10 | 15 | |
| t _{VDD– to RDY} | VDD UVLO off delay to RDY low | | 10 | 15 | 15 | |
| VCC, VDD QUIESCENT CURRENT | | | | | | |
| I _{VCCQ} | VCC quiescent current | OUT(H) = High, f _S = 0Hz, AIN = 2 V | 2.5 | 3 | 4 | mA |
| | | OUT(L) = Low, f _S = 0Hz, AIN = 2 V | 1.45 | 2 | 2.75 | |
| I _{VDDQ} | VDD quiescent current | OUT(H) = High, f _S = 0Hz, AIN = 2 V | 3.6 | 4 | 5.9 | mA |
| | | OUT(L) = Low, f _S = 0Hz, AIN = 2 V | 3.1 | 3.7 | 5.3 | |
| LOGIC INPUTS — IN+, IN– and RST/EN | | | | | | |
| V _{INH} | Input high threshold | V _{CC} = 3.3 V | | 1.85 | 2.31 | V |
| V _{INL} | Input low threshold | V _{CC} = 3.3 V | 0.99 | 1.52 | | V |
| V _{INHYS} | Input threshold hysteresis | V _{CC} = 3.3 V | | 0.33 | | V |
| I _{IH} | Input high level input leakage current | V _{IN} = VCC | | 90 | | μ A |
| I _{IL} | Input low level input leakage | V _{IN} = GND | | –90 | | μ A |
| R _{IND} | Input pins pull down resistance | see Detailed Description for more information | | 55 | | k Ω |
| R _{INU} | Input pins pull up resistance | see Detailed Description for more information | | 55 | | |
| T _{INFIL} | IN+, IN– and RST/EN deglitch (ON and OFF) filter time | f _S = 50 kHz | 28 | 40 | 60 | ns |
| T _{RSTFIL} | Deglitch filter time to reset /FLT | | 400 | 650 | 800 | ns |
| GATE DRIVER STAGE | | | | | | |
| I _{OUT} , I _{OUTH} | Peak source current | C _L = 0.18 μ F, f _S = 1 kHz | | 10 | | A |
| I _{OUT} , I _{OUTL} | Peak sink current | | 10 | | A | |
| R _{OUTH} ⁽³⁾ | Output pull-up resistance | I _{OUT} = –0.1 A | | 2.5 | | Ω |
| R _{OUTL} | Output pull-down resistance | I _{OUT} = 0.1 A | | 0.3 | | Ω |
| V _{OUTH} | High level output voltage | I _{OUT} = –0.2 A, V _{DD} = 18 V | | 17.5 | | V |
| V _{OUTL} | Low level output voltage | I _{OUT} = 0.2 A | | 60 | | mV |
| ACTIVE PULLDOWN | | | | | | |
| V _{OUTPD} | Output active pull down on OUT, OUTL | I _{OUTL} or I _{OUT} = 0.1 × I _{OUT(L)(tpy)} , VDD=OPEN, VEE=COM | 1.5 | 2 | 2.5 | V |
| INTERNAL ACTIVE MILLER CLAMP | | | | | | |
| V _{CLMPH} | Miller clamp threshold voltage | Reference to VEE | 1.5 | 2.0 | 2.5 | V |
| V _{CLMPI} | Output low clamp voltage | I _{CLMPI} = 1 A | | VEE + 0.5 | | V |
| I _{CLMPI} | Output low clamp current | V _{CLMPI} = 0 V, VEE = –2.5 V | | 4 | | A |
| R _{CLMPI} | Miller clamp pull down resistance | I _{CLMPI} = 0.2 A | | 0.6 | | Ω |

6.8 Electrical Characteristics (続き)

VCC = 3.3 V or 5.0 V, 1- μ F capacitor from VCC to GND, VDD – COM = 20 V, 18 V or 15 V, COM – VEE = 0 V, 5 V, 8 V or 15 V, C_L = 100 pF, –40°C < T_J < 150°C (unless otherwise noted)⁽¹⁾ (2).

| PARAMETER | | TEST CONDITIONS | MIN | TYP | MAX | UNIT |
|--|--|---|------|------|------|----------|
| t _{DCLMPI} | Miller clamp ON delay time | C _L = 1.8 nF | | 15 | 50 | ns |
| SHORT CIRCUIT CLAMPING | | | | | | |
| V _{CLP-OUT(H)} | V _{OUT-VDD} , V _{OUTH-VDD} | OUT = Low, I _{OUT(H)} = 500 mA, t _{CLP} = 10 μ s | | 0.9 | | V |
| V _{CLP-OUT(L)} | V _{OUT-VDD} , V _{OUTL-VDD} | OUT = High, I _{OUT(L)} = 500 mA, t _{CLP} = 10 μ s | | 1.8 | | V |
| V _{CLP-CLMPI} | V _{CLMPI-VDD} | OUT = High, I _{CLMPI} = 20 mA, t _{CLP} = 10 μ s | | 1.0 | | V |
| DESAT PROTECTION | | | | | | |
| I _{CHG} | Blanking capacitor charge current | V _{DESAT} = 2.0 V | 430 | 500 | 570 | μ A |
| I _{DCHG} | Blanking capacitor discharge current | V _{DESAT} = 6.0 V | 10 | 15 | | mA |
| V _{DESAT} | Detection Threshold | | 8.5 | 9.15 | 9.8 | V |
| t _{DESATLEB} | Leading edge blank time | | | 200 | | ns |
| t _{DESATFIL} | DESAT deglitch filter | | 50 | 140 | 230 | ns |
| t _{DESATOFF} | DESAT propagation delay to OUT(L) 90% | | 150 | 200 | 300 | ns |
| t _{DESATFLT} | DESAT to $\overline{\text{FLT}}$ low delay | | 400 | 580 | 750 | ns |
| INTERNAL SOFT TURN-OFF | | | | | | |
| I _{STO} | Soft turn-off current on fault conditions | V _{DD-V_{EE}} =20V, V _{OUTL-COM} =8V | 250 | 400 | 570 | mA |
| ISOLATED TEMPERATURE SENSE AND MONITOR (AIN-APWM) | | | | | | |
| V _{AIN} | Analog sensing voltage range | | 0.6 | | 4.5 | V |
| I _{AIN} | Internal current source | V _{AIN} = 2.5 V, –40°C < T _J < 150°C | 196 | 200 | 209 | μ A |
| f _{APWM} | APWM output frequency | V _{AIN} = 2.5 V | 380 | 400 | 420 | kHz |
| BW _{AIN} | AIN-APWM bandwidth | | | 10 | | kHz |
| D _{APWM} | APWM Duty cycle | V _{AIN} = 0.6 V | 86.5 | 88 | 89.5 | % |
| | | V _{AIN} = 2.5 V | 48.5 | 50 | 51.5 | |
| | | V _{AIN} = 4.5 V | 7.5 | 10 | 11.5 | |
| FLT AND RDY REPORTING | | | | | | |
| t _{RDYHLD} | VDD UVLO RDY low minimum holding time | | 0.55 | | 1 | ms |
| t _{FLTMUTE} | Output mute time on fault | Reset fault through RST/EN | 0.55 | | 1 | ms |
| R _{ODON} | Open drain output on resistance | I _{ODON} = 5 mA | | 30 | | Ω |
| V _{ODL} | Open drain low output voltage | I _{ODON} = 5 mA | | | 0.3 | V |
| COMMON MODE TRANSIENT IMMUNITY | | | | | | |
| CMTI | Common-mode transient immunity | | 150 | | | V/ns |

- (1) Current are positive into and negative out of the specified terminal.
- (2) All voltages are referenced to COM unless otherwise notified.
- (3) For internal PMOS only. Refer to [セクション 8.3.2](#) for effective pull-up resistance.

6.9 Safety-Related Certifications

| VDE | UL |
|--|--|
| Certified according to DIN EN IEC 60747-17 (VDE 0884-17) | Recognized under UL 1577 Component Recognition Program, CSA Component Acceptance Notice 5A |
| Reinforced insulation Maximum transient isolation voltage, 8000 V _{PK} ; Maximum repetitive peak isolation voltage, 2121 V _{PK} ; Maximum surge isolation voltage, 8000 V _{PK} | Single protection, 5700 V _{RMS} |
| Certificate number: 40040142 | File Number: E181974 |

6.10 Switching Characteristics

VCC=5.0V, 1 μ F capacitor from VCC to GND, VDD-COM=20V, 18V or 15V, COM-VEE = 3V, 5V or 8V, C_L=100pF, – 40°C<T_J<150°C (unless otherwise noted)

| PARAMETER | | TEST CONDITIONS | MIN | TYP | MAX | UNIT |
|--------------------|---|-------------------------------------|-----|-----|-----|------|
| t _{PDHL} | Propagation delay time – High to Low | | 60 | 90 | 130 | ns |
| t _{PDLH} | Propagation delay time – Low to High | | 60 | 90 | 130 | |
| PWD | Pulse width distortion t _{PDHL} – t _{PDLH} | | | | 30 | |
| t _{sk-pp} | Part to Part skew | Rising or Falling Propagation Delay | | | 30 | |
| t _r | Driver output rise time | C _L = 10 nF | | 33 | | |
| t _f | Driver output fall time | C _L = 10 nF | | 27 | | |
| f _{MAX} | Maximum switching frequency | | | | 1 | MHz |

6.11 Insulation Characteristics Curves

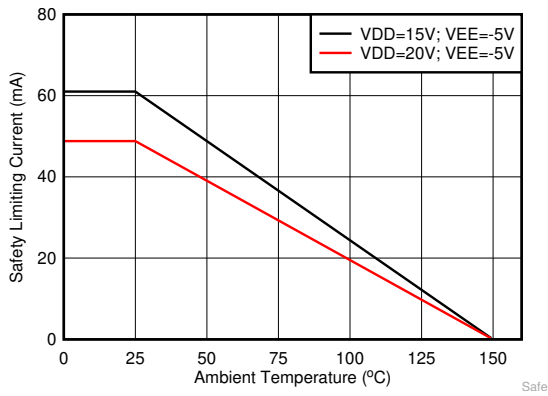


Figure 6-1. Thermal Derating Curve for Limiting Current per VDE

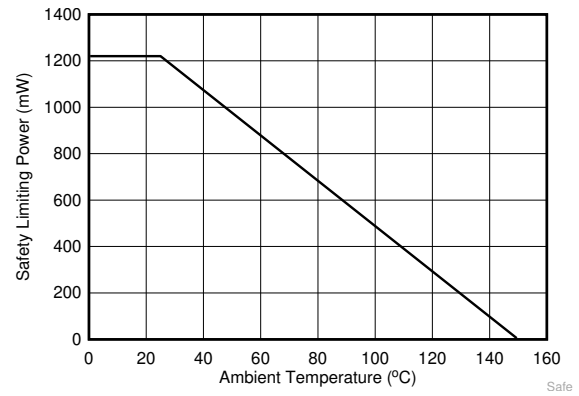


Figure 6-2. Thermal Derating Curve for Limiting Power per VDE

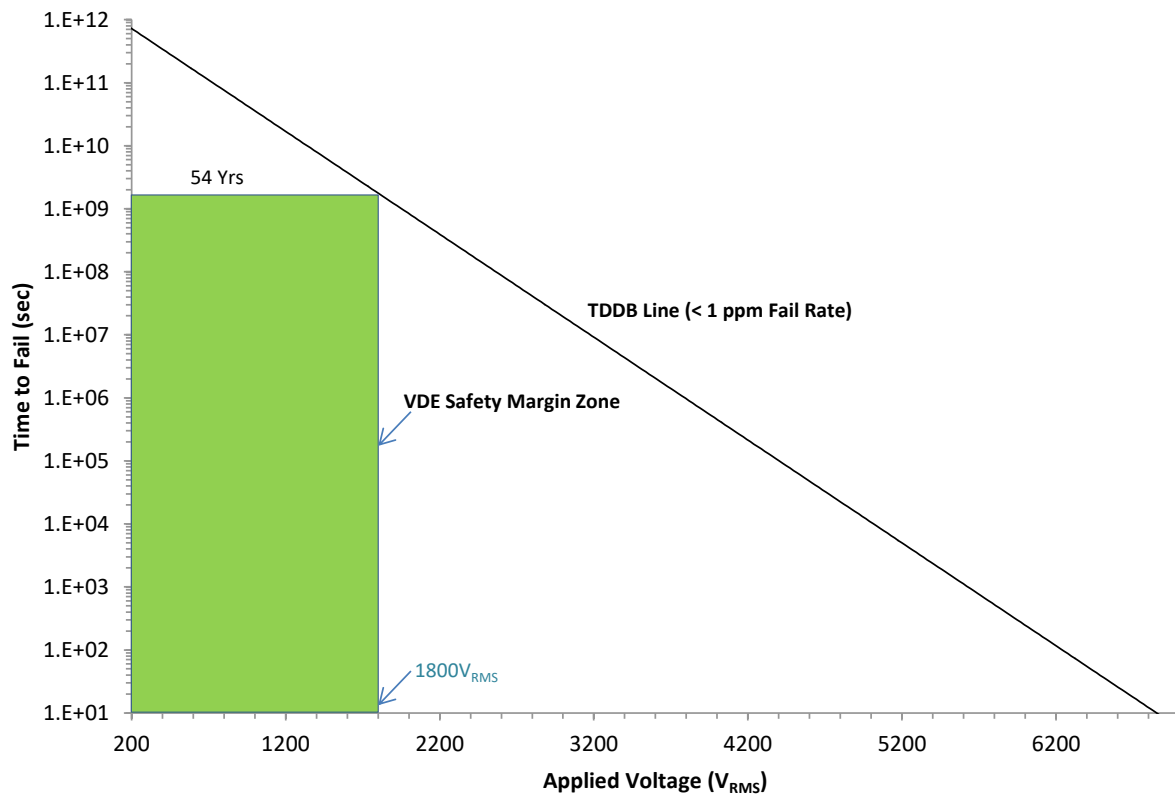


Figure 6-3. Reinforced Isolation Capacitor Life Time Projection

6.12 Typical Characteristics

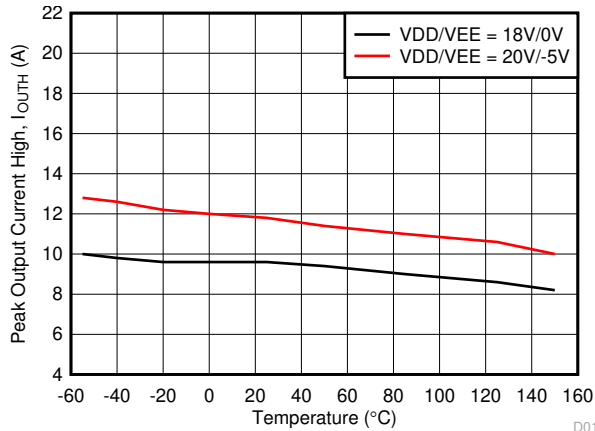


Figure 6-4. Output High Drive Current vs Temperature

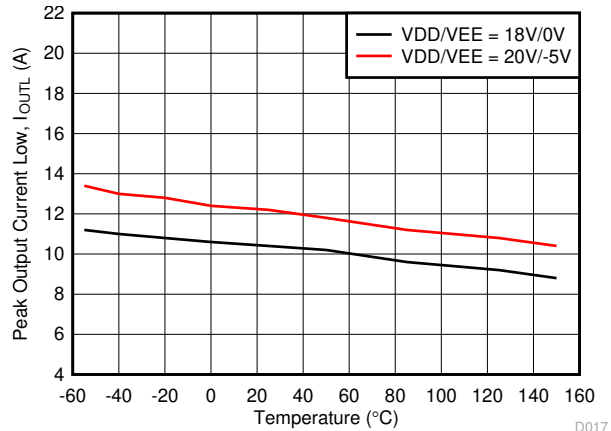


Figure 6-5. Output Low Driver Current vs Temperature

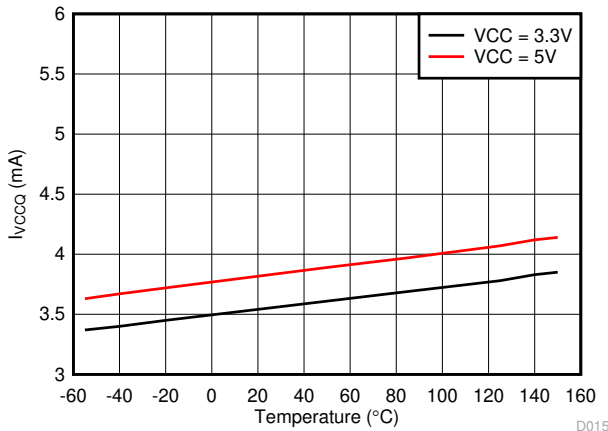


Figure 6-6. I_{VCCQ} Supply Current vs Temperature

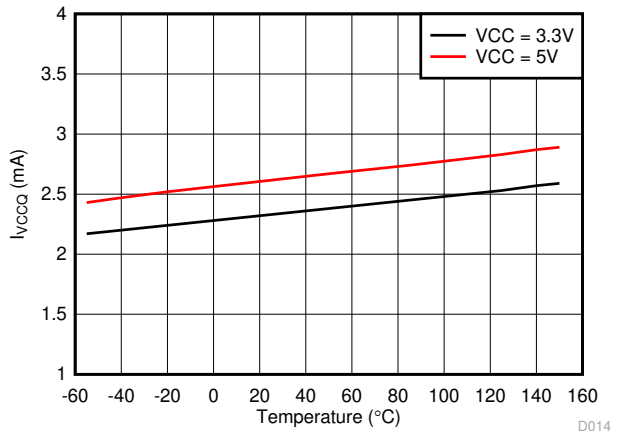


Figure 6-7. I_{VCCQ} Supply Current vs Temperature

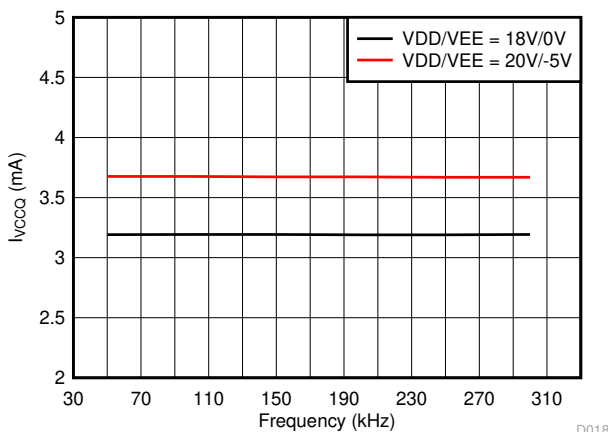


Figure 6-8. I_{VCCQ} Supply Current vs Input Frequency

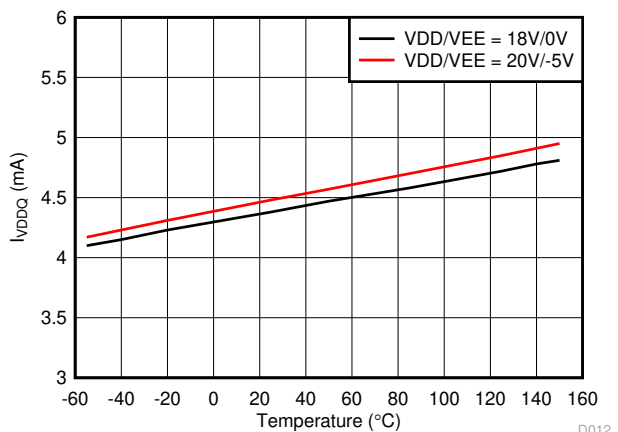
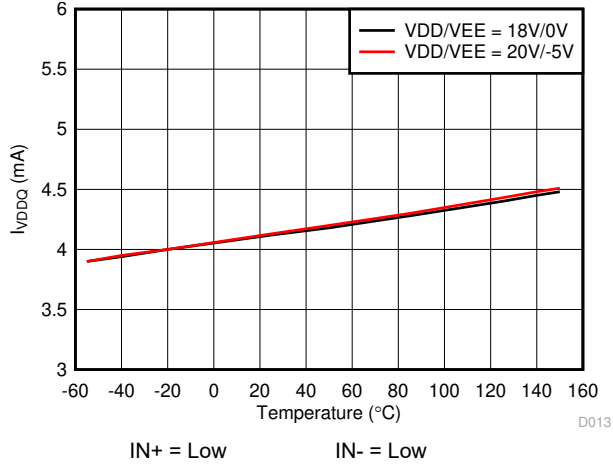
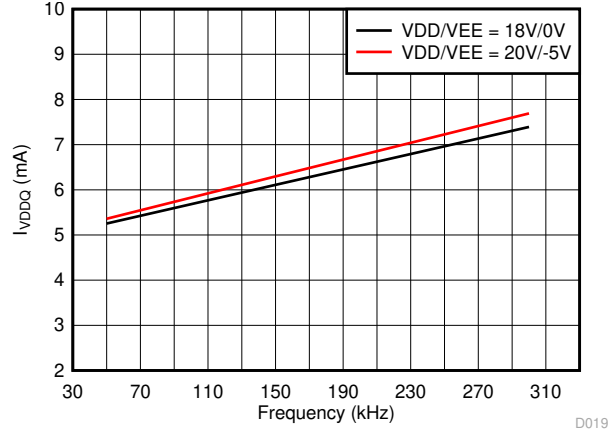


Figure 6-9. I_{VDDQ} Supply Current vs Temperature

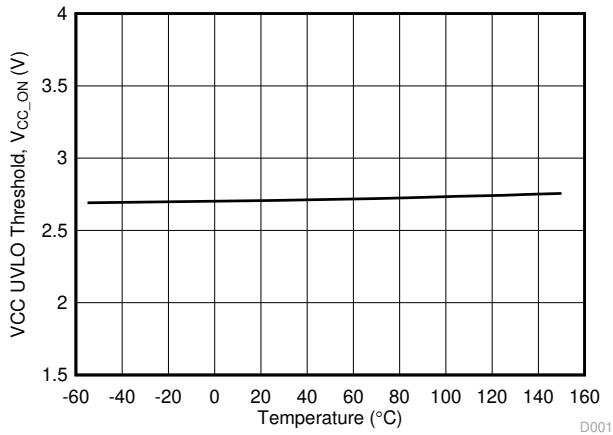
6.12 Typical Characteristics (continued)



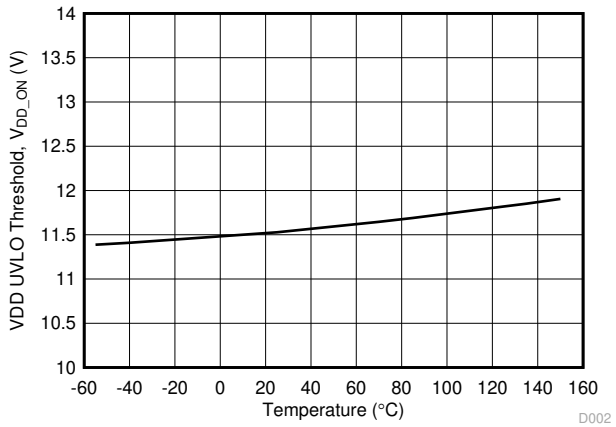
IN+ = Low IN- = Low
6-10. I_{VDDQ} Supply Current vs Temperature



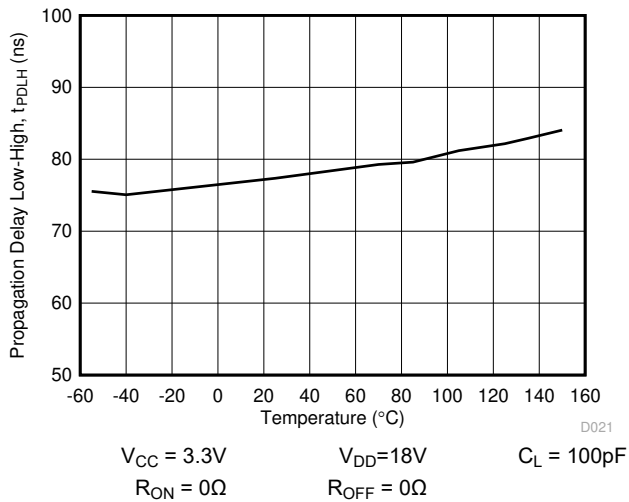
6-11. I_{VDDQ} Supply Current vs Input Frequency



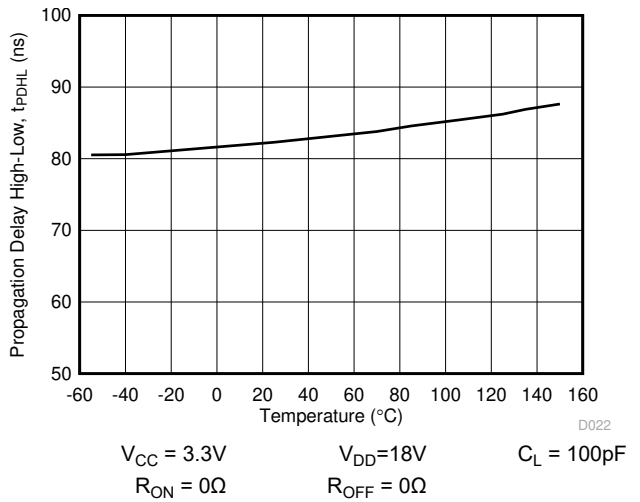
6-12. VCC UVLO vs Temperature



6-13. VDD UVLO vs Temperature

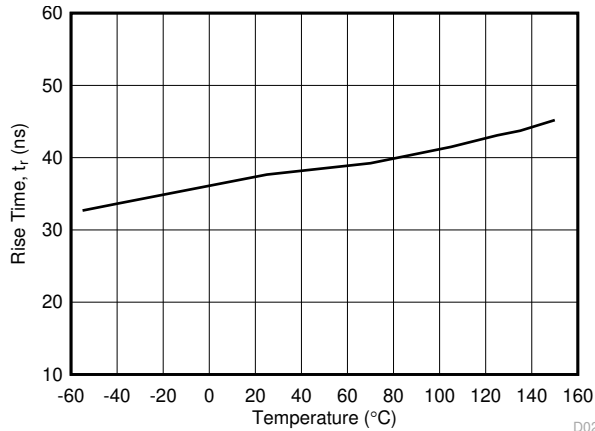


6-14. Propagation Delay t_{PD_LH} vs Temperature



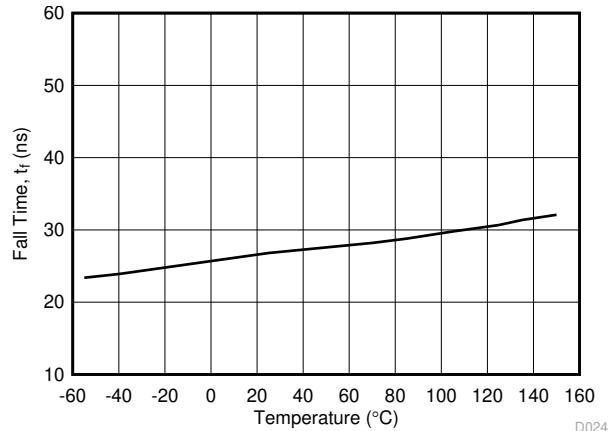
6-15. Propagation Delay t_{PD_HL} vs Temperature

6.12 Typical Characteristics (continued)



$V_{CC} = 3.3V$ $V_{DD} = 18V$ $C_L = 10nF$
 $R_{ON} = 0\Omega$ $R_{OFF} = 0\Omega$

图 6-16. t_r Rise Time vs Temperature



$V_{CC} = 3.3V$ $V_{DD} = 18V$ $C_L = 10nF$
 $R_{ON} = 0\Omega$ $R_{OFF} = 0\Omega$

图 6-17. t_f Fall Time vs Temperature

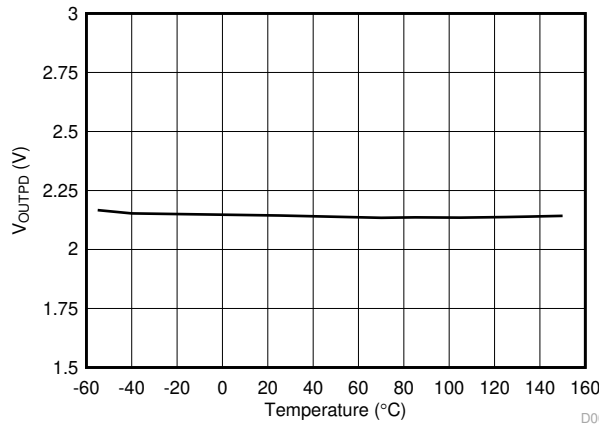


图 6-18. V_{OUTPD} Output Active Pulldown Voltage vs Temperature

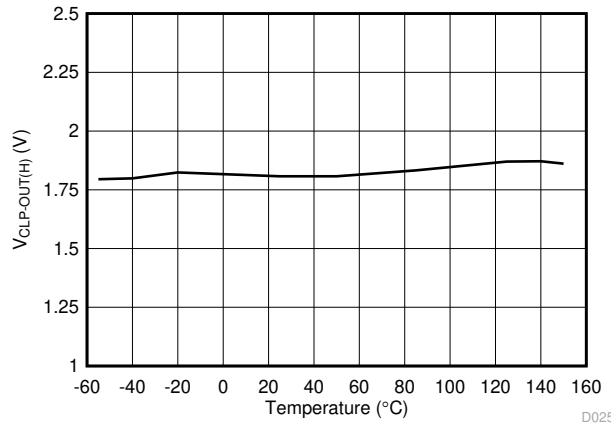


图 6-19. $V_{CLP-OUT(H)}$ Short Circuit Clamping Voltage vs Temperature

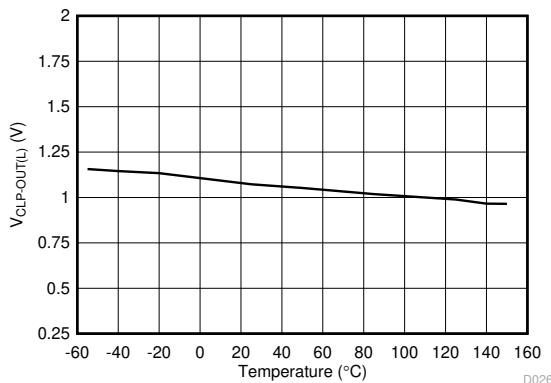


图 6-20. $V_{CLP-OUT(L)}$ Short Circuit Clamping Voltage vs Temperature

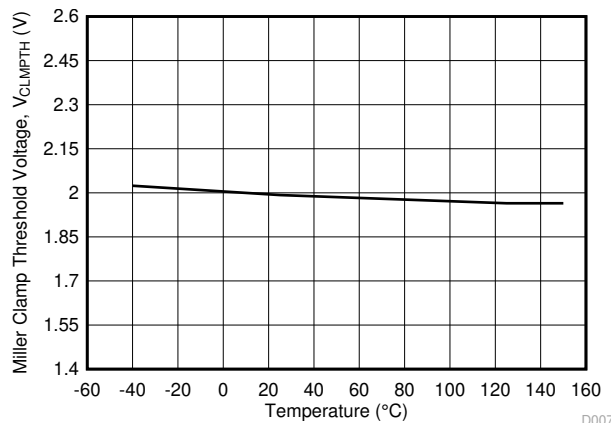
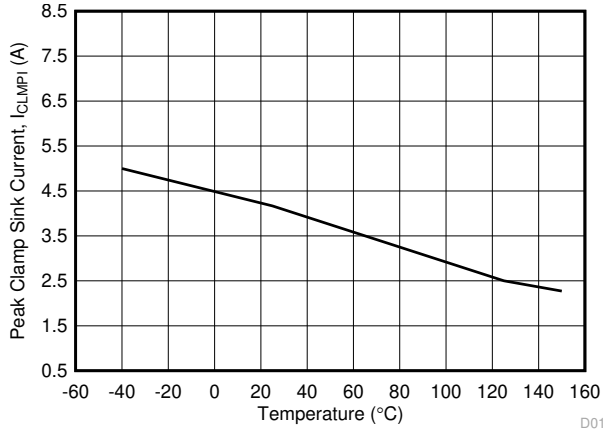
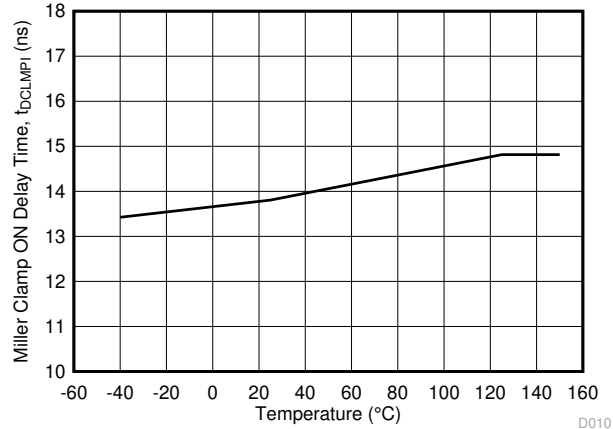


图 6-21. V_{CLMPH} Miller Clamp Threshold Voltage vs Temperature

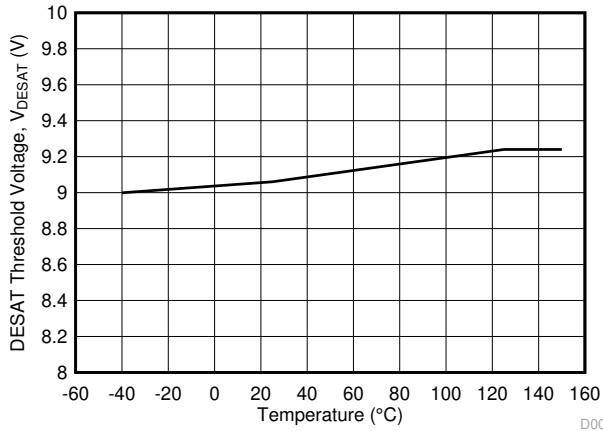
6.12 Typical Characteristics (continued)



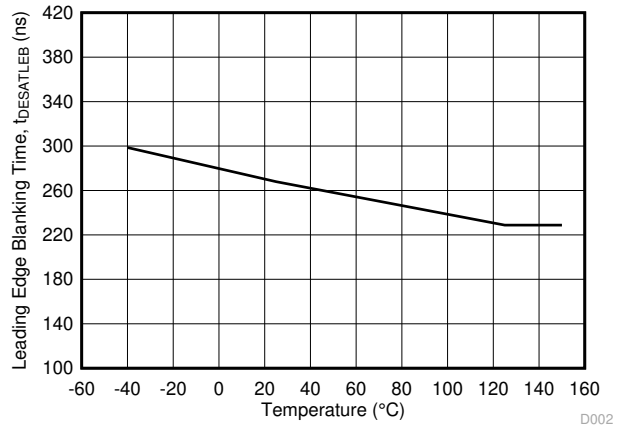
6-22. I_{CLMPl} Miller Clamp Sink Current vs Temperature



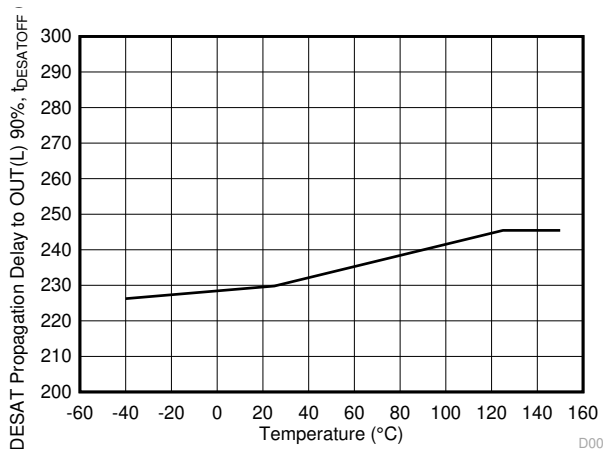
6-23. t_{DCLMPl} Miller Clamp ON Delay Time vs Temperature



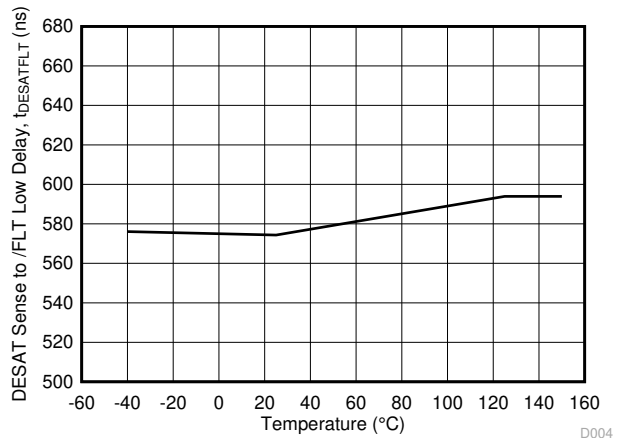
6-24. V_{DESAT} DESAT Threshold Voltage vs Temperature



6-25. $t_{DESATLEB}$ DESAT Leading Edge Blanking Time vs Temperature

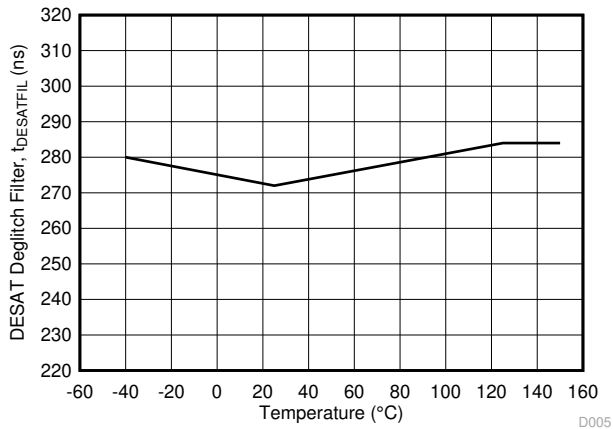


6-26. $t_{DESATOFF}$ DESAT Propagation Delay to OUT(L) 90% vs Temperature

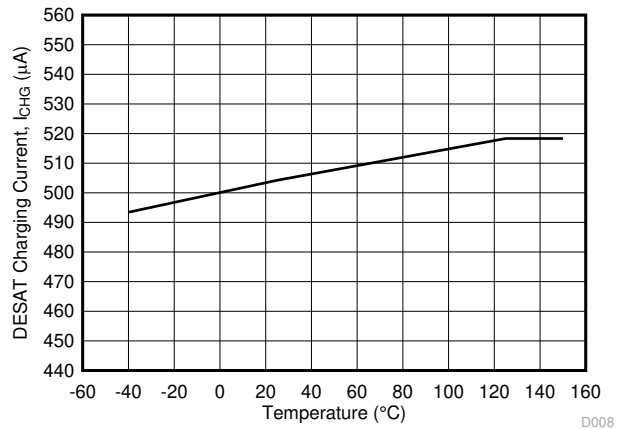


6-27. $t_{DESATFLT}$ DESAT Sense to /FLT Low Delay Time vs Temperature

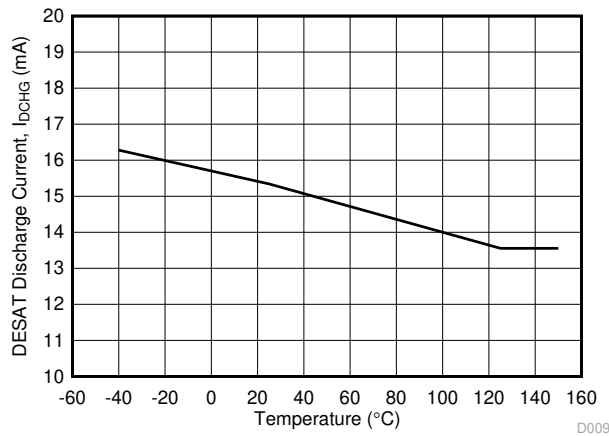
6.12 Typical Characteristics (continued)



6-28. t_{DESATFIL} DESAT Deglitch Filter vs Temperature



6-29. I_{CHG} DESAT Charging Current vs Temperature



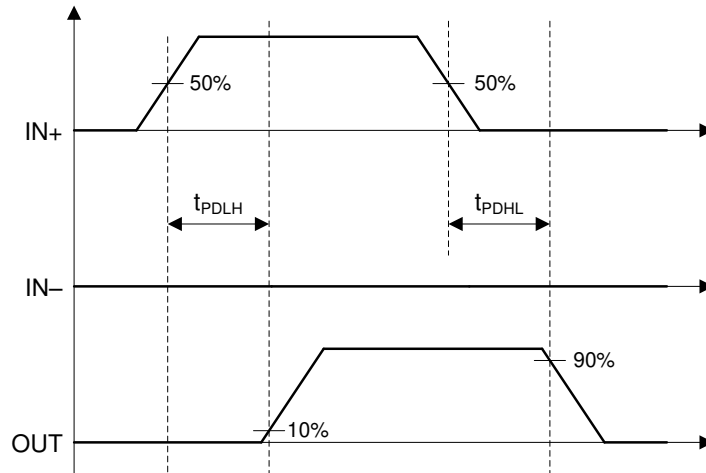
6-30. I_{DCHG} DESAT Discharge Current vs Temperature

7 Parameter Measurement Information

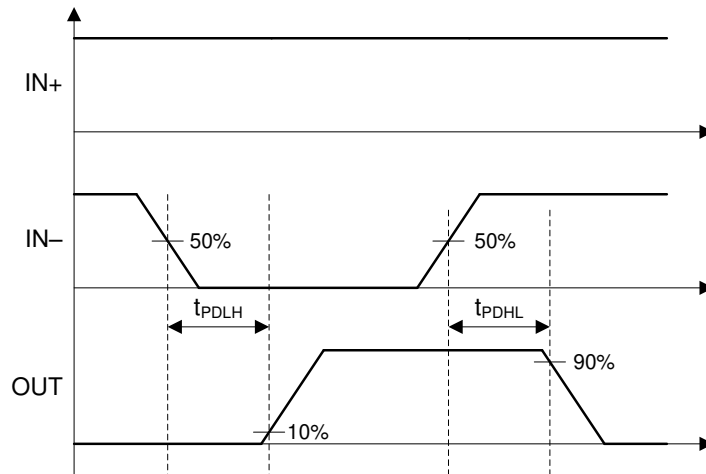
7.1 Propagation Delay

7.1.1 Regular Turn-OFF

7-1 shows the propagation delay measurement for non-inverting configurations. 7-2 shows the propagation delay measurement with the inverting configurations.

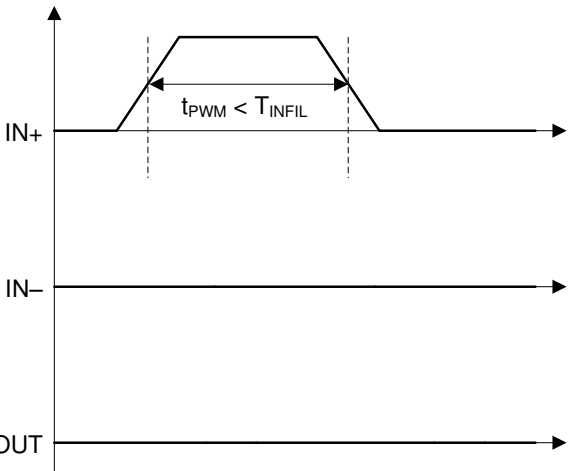
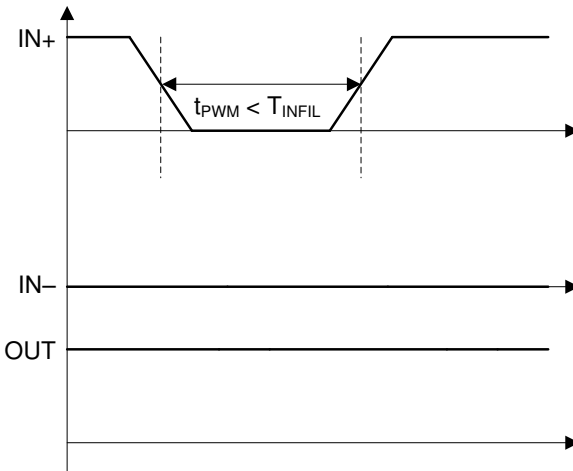
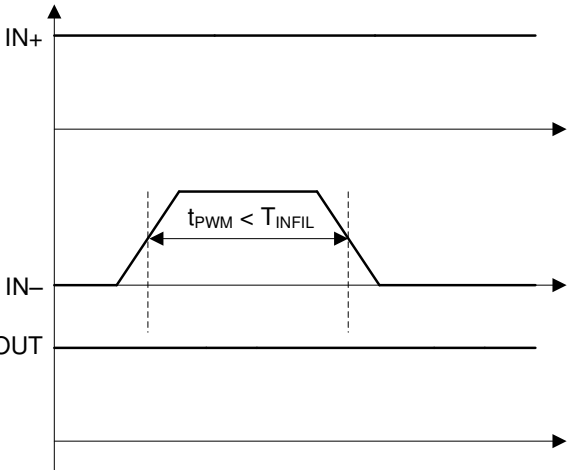
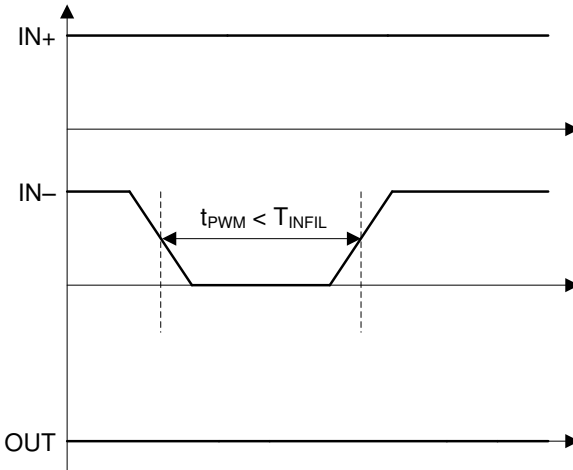


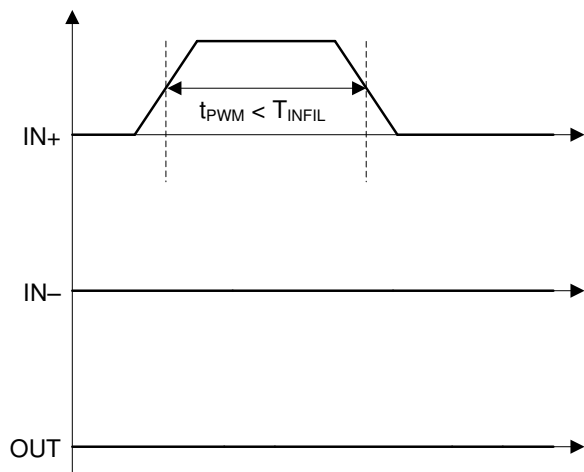
7-1. Non-inverting Logic Propagation Delay Measurement



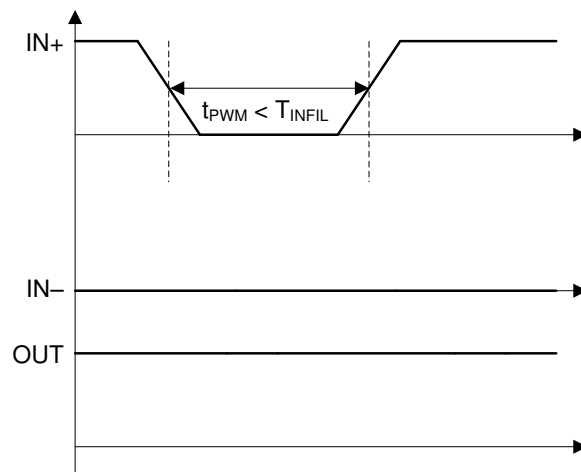
7-2. Inverting Logic Propagation Delay Measurement

7.2 Input Deglitch Filter

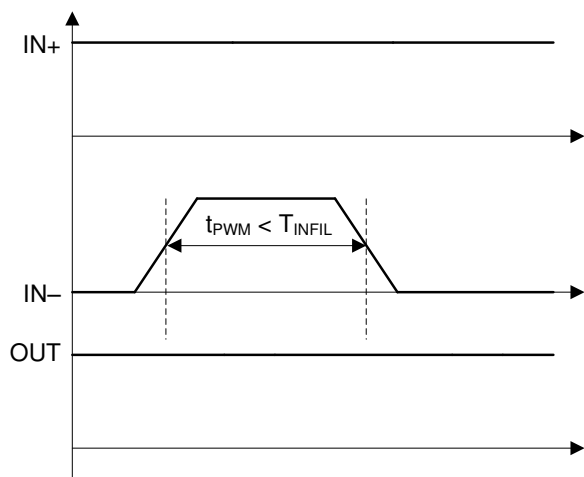
In order to increase the robustness of gate driver over noise transient and accidental small pulses on the input pins, that is, IN+, IN-, $\overline{\text{RST/EN}}$, a 40-ns deglitch filter is designed to filter out the transients and make sure there is no faulty output responses or accidental driver malfunctions. When the IN+ or IN- PWM pulse is smaller than the input deglitch filter width, T_{INFIL} , there is no responses on OUT drive signal.  and  show the IN+ pin ON and OFF pulse deglitch filter effect.  and  show the IN- pin ON and OFF pulse deglitch filter effect.



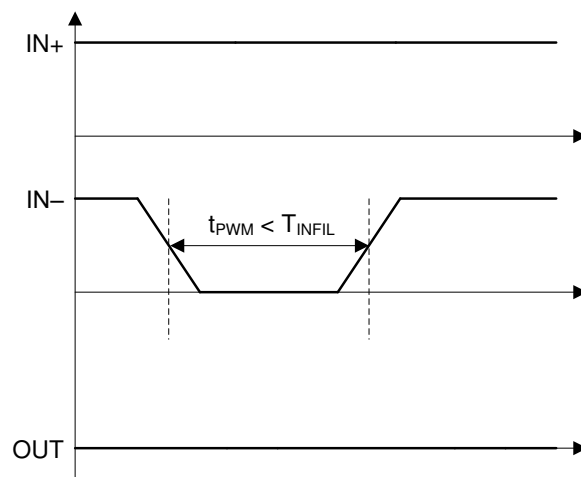
 7-3. IN+ ON Deglitch Filter



 7-4. IN+ OFF Deglitch Filter



 7-5. IN- ON Deglitch Filter



 7-6. IN- OFF Deglitch Filter

7.3 Active Miller Clamp

7.3.1 Internal On-Chip Active Miller Clamp

For a gate driver application with unipolar bias supply or bipolar supply with small negative turn-off voltage, active miller clamp can help add a additional low impedance path to bypass the miller current and prevent the high dV/dt introduced unintentional turn-on through the miller capacitance. [Figure 7-7](#) shows the timing diagram for on-chip internal miller clamp function.

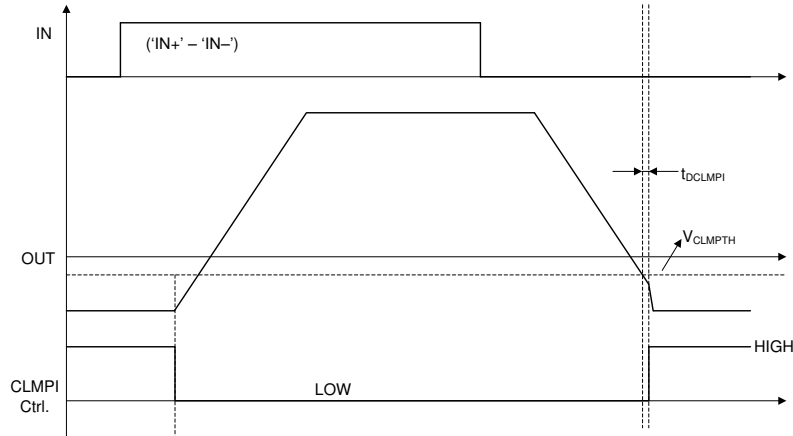



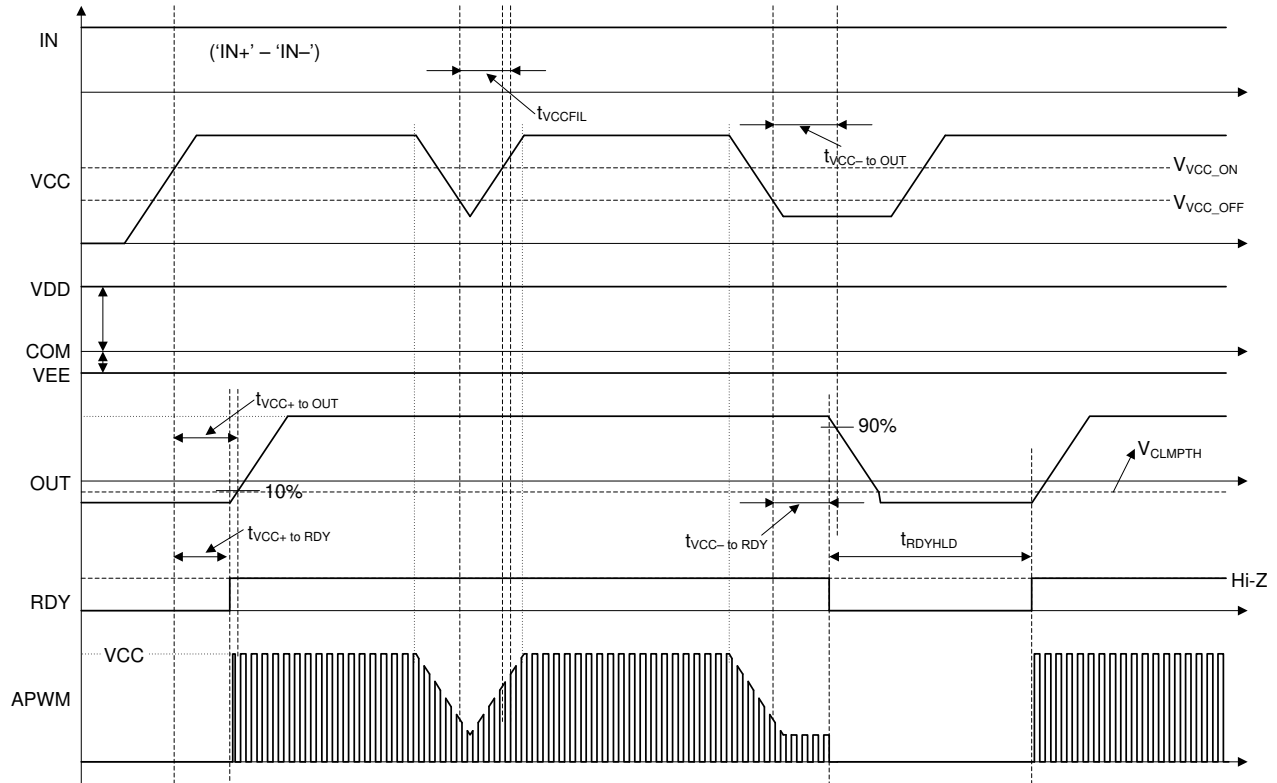
Figure 7-7. Timing Diagram for Internal Active Miller Clamp Function

7.4 Undervoltage Lockout (UVLO)

UVLO is one of the key protection features designed to protect the system in case of bias supply failures on VCC — primary side power supply, and VDD — secondary side power supply.

7.4.1 VCC UVLO

The VCC UVLO protection details are discussed in this section.  7-8 shows the timing diagram illustrating the definition of UVLO ON/OFF threshold, deglitch filter, response time, RDY and AIN–APWM.



 7-8. VCC UVLO Protection Timing Diagram

7.4.2 VDD UVLO

The VDD UVLO protection details are discussed in this section. [Figure 7-9](#) shows the timing diagram illustrating the definition of UVLO ON/OFF threshold, deglitch filter, response time, RDY and AIN–APWM.

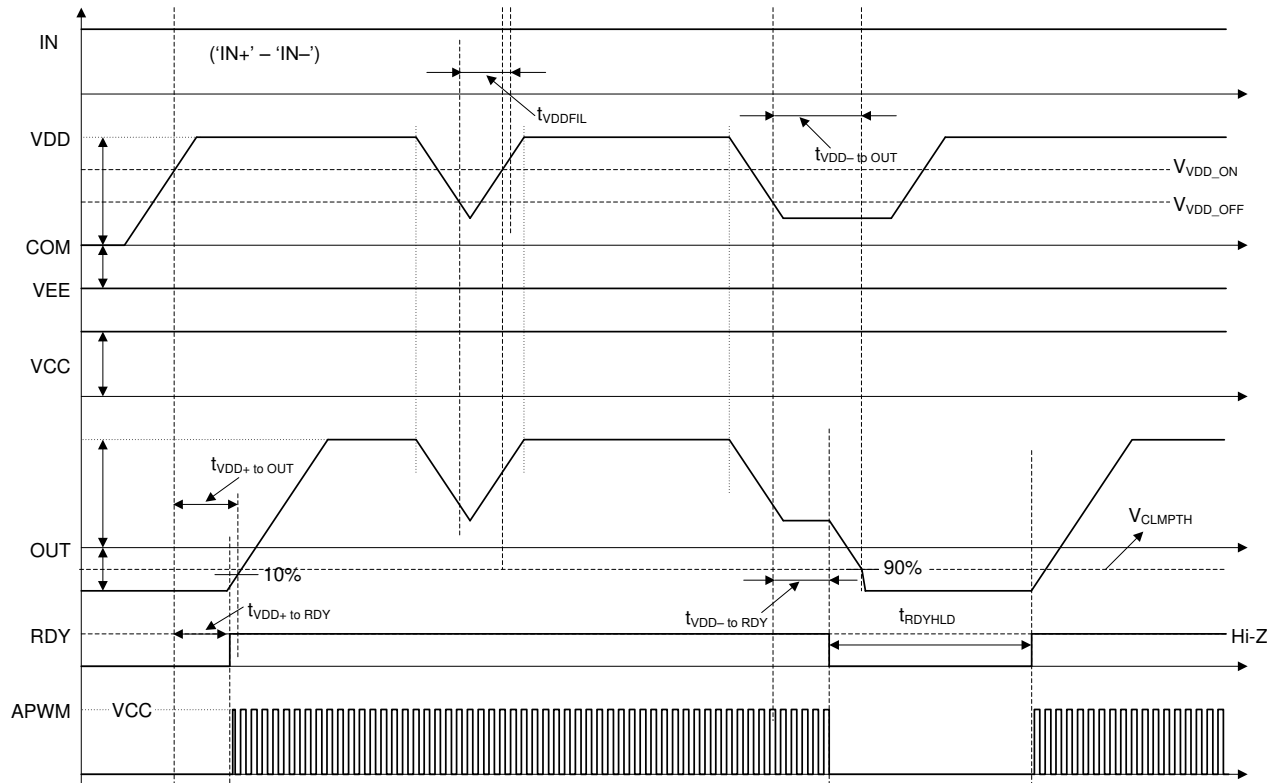
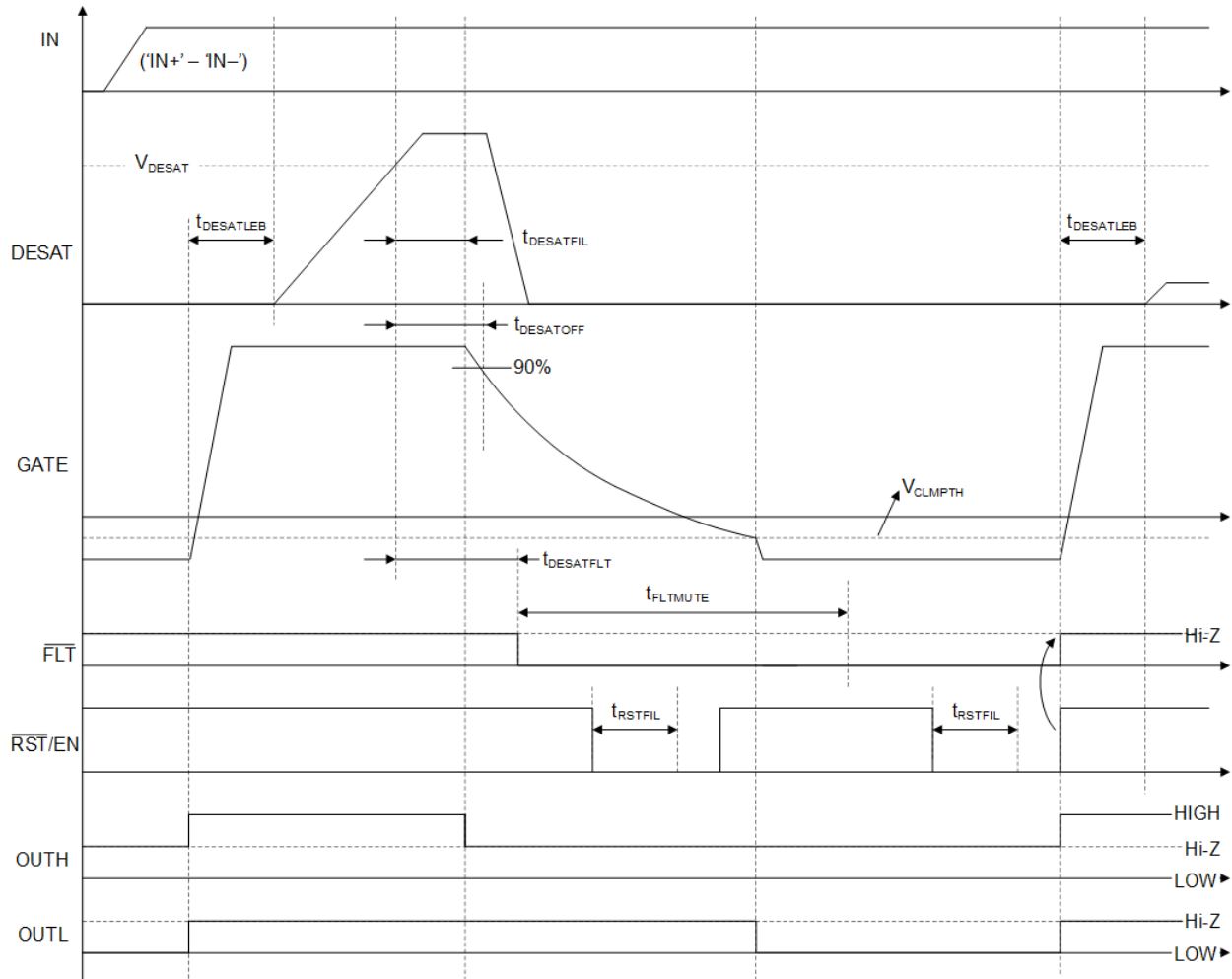


Figure 7-9. VDD UVLO Protection Timing Diagram

7.5 Desaturation (DESAT) Protection

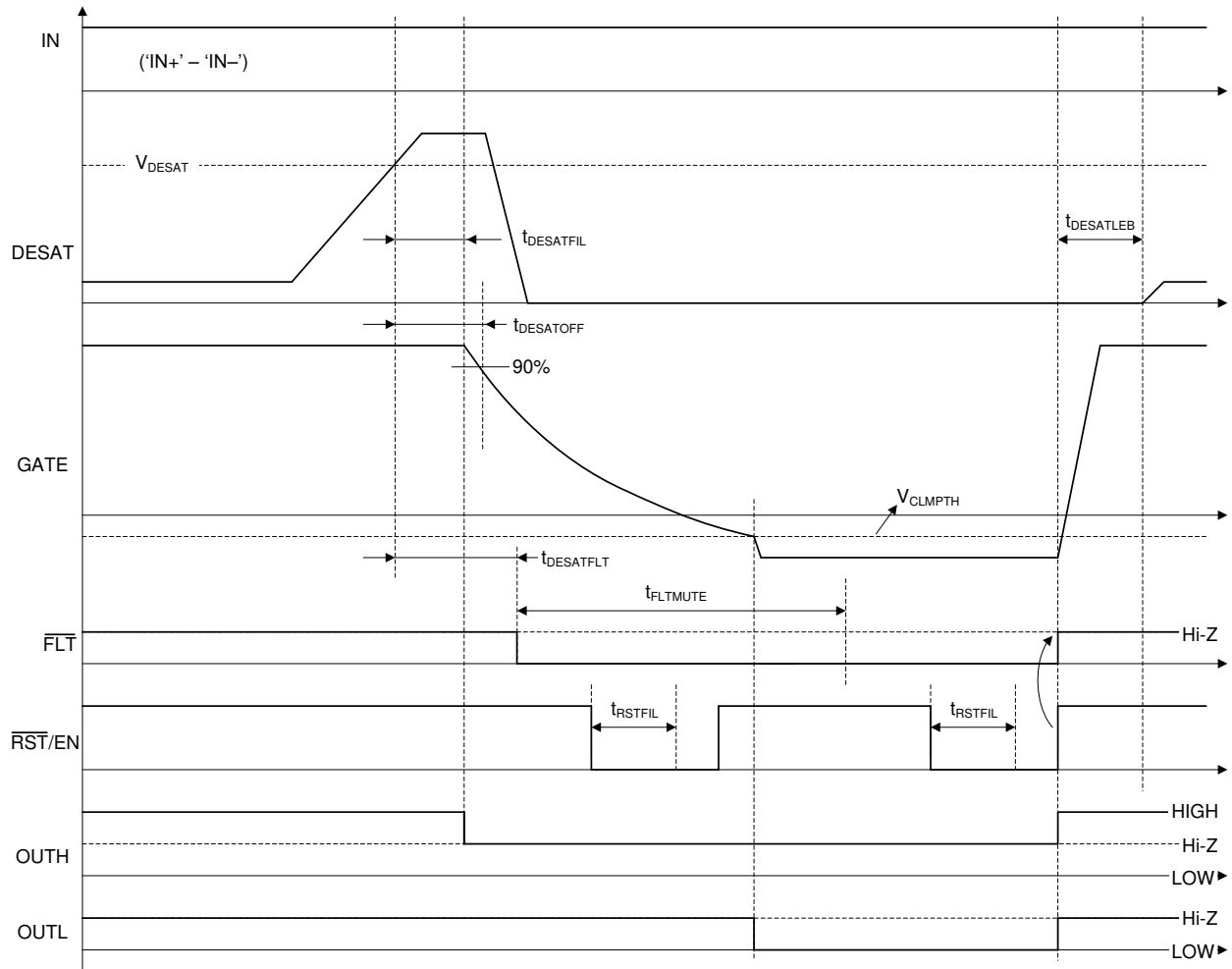
7.5.1 DESAT Protection with Soft Turn-OFF

DESAT function is used to detect V_{DS} for SiC-MOSFETs or V_{CE} for IGBTs under over current conditions. [7-10](#) shows the timing diagram of DESAT operation with soft turn-off during the turning on transition.



7-10. DESAT Protection With Soft Turn-OFF During Turn-ON Transition

 7-11 shows the timing diagram of DESAT protection while the power device is already turned on.



 7-11. DESAT Protection With Soft Turn-OFF While Power Device is ON

8 Detailed Description

8.1 Overview

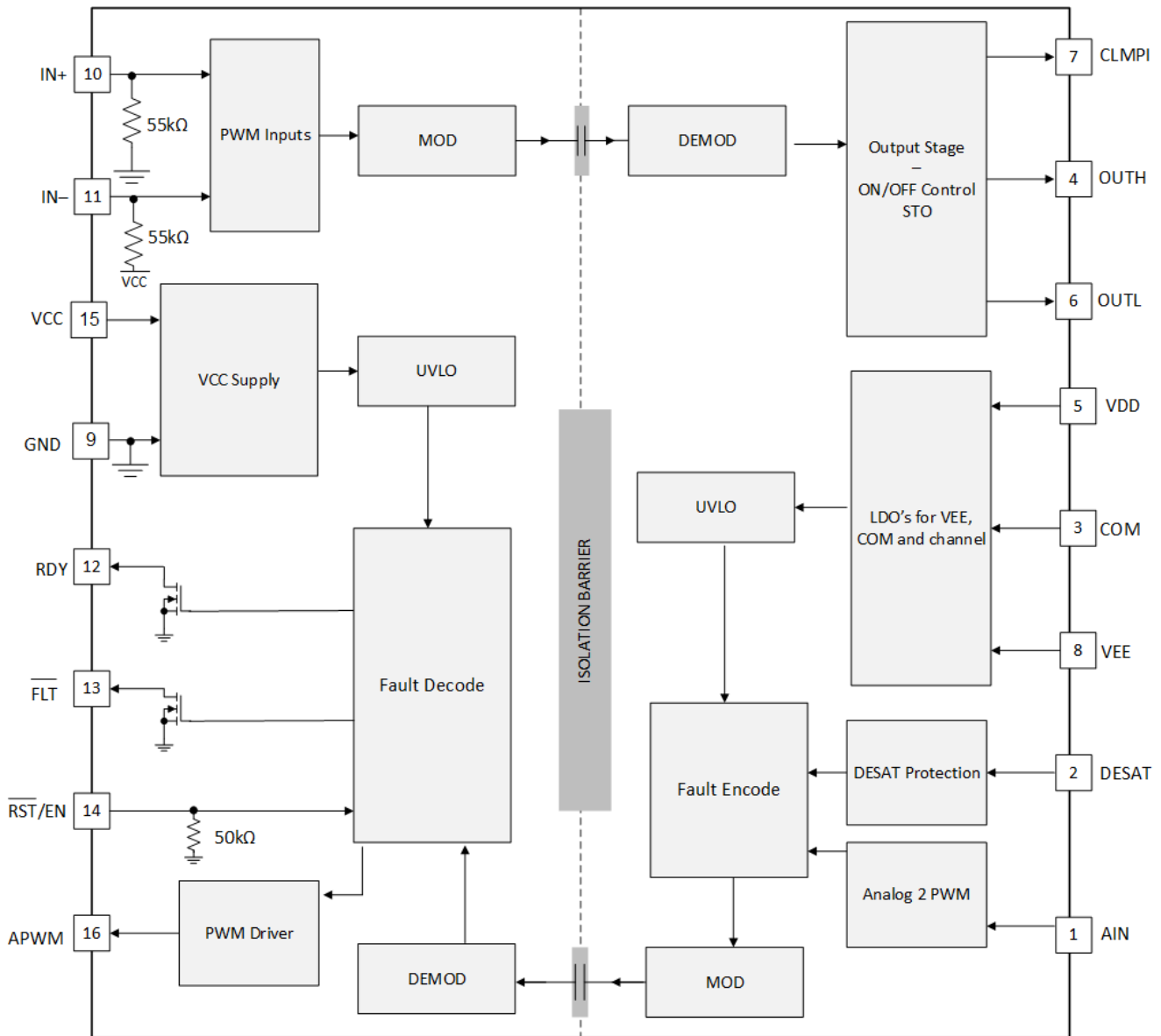
The UCC21750-Q1 device is an advanced isolated gate driver with state-of-art protection and sensing features for SiC MOSFETs and IGBTs. The device can support up to 2121-V DC operating voltage based on SiC MOSFETs and IGBTs, and can be used to above 10-kW applications, such as HEV/EV traction inverter, motor drive, on-board and off-board battery charger, solar inverter, and so forth. The galvanic isolation is implemented by the capacitive isolation technology, which can realize a reliable reinforced isolation between the low voltage DSP/MCU and high voltage side.

The ± 10 -A peak sink and source current of the UCC21750-Q1 can drive the SiC MOSFET modules and IGBT modules directly without an extra buffer. The driver can also be used to drive higher power modules or parallel modules with external buffer stage. The input side is isolated with the output side with a reinforced isolation barrier based on capacitive isolation technology. The device can support up to 1.5-kV_{RMS} working voltage, 12.8-kV_{PK} surge immunity with longer than 40 years isolation barrier life. The strong drive strength helps to switch the device fast and reduce the switching loss, while the 150-V/ns minimum CMTI assures the reliability of the system with fast switching speed. The small propagation delay and part-to-part skew can minimize the deadtime setting, so the conduction loss can be reduced.

The device includes extensive protection and monitor features to increase the reliability and robustness of the SiC MOSFET and IGBT based systems. The 12-V output side power supply UVLO is suitable for switches with gate voltage ≥ 15 V. The active miller clamp feature prevents the false turn on causing by miller capacitance during fast switching. The device has the state-of-art DESAT detection time and fault reporting function to the low voltage side DSP/MCU. The soft turn-off is triggered when the DESAT fault is detected, minimizing the short circuit energy while reducing the overshoot voltage on the switches.

The isolated analog to PWM sensor can be used as switch temperature sensing, DC bus voltage sensing, auxiliary power supply sensing, and so forth. The PWM signal can be fed directly to DSP/MCU or through a low-pass-filter as an analog signal.

8.2 Functional Block Diagram



8.3 Feature Description

8.3.1 Power Supply

The input side power supply VCC can support a wide voltage range from 3 V to 5.5 V. The device supports both unipolar and bipolar power supply on the output side, with a wide range from 13 V to 33 V from VDD to VEE. The negative power supply with respect to switch source or emitter is usually adopted to avoid false turn on when the other switch in the phase leg is turned on. The negative voltage is especially important for SiC MOSFET due to its fast switching speed.

8.3.2 Driver Stage

The UCC21750-Q1 has ± 10 -A peak drive strength and is suitable for high power applications. The high drive strength can drive a SiC MOSFET module, IGBT module or paralleled discrete devices directly without extra buffer stage. The UCC21750-Q1 can also be used to drive higher power modules or parallel modules with extra buffer stage. Regardless of the values of VDD, the peak sink and source current can be kept at 10 A. The driver features an important safety function wherein, when the input pins are in floating condition, the OUTH/OUTL is

held in LOW state. The split output of the driver stage is depicted in [Figure 8-1](#). The driver has rail-to-rail output by implementing a hybrid pull-up structure with a P-Channel MOSFET in parallel with an N-Channel MOSFET, and an N-Channel MOSFET to pulldown. The pull-up NMOS is the same as the pull down NMOS, so the on-resistance R_{NMOS} is the same as R_{OL} . The hybrid pull-up structure delivers the highest peak-source current when it is most needed, during the miller plateau region of the power semiconductor turn-on transient. The R_{OH} in [Figure 8-1](#) represents the on-resistance of the pull-up P-Channel MOSFET. However, the effective pull-up resistance is much smaller than R_{OH} . Because the pull-up N-Channel MOSFET has much smaller on-resistance than the P-Channel MOSFET, the pull-up N-Channel MOSFET dominates most of the turn-on transient, until the voltage on OUTH pin is about 3 V below VDD voltage. The effective resistance of the hybrid pull-up structure during this period is about $2 \times R_{OL}$. Then the P-Channel MOSFET pulls up the OUTH voltage to VDD rail. The low pull-up impedance results in strong drive strength during the turn-on transient, which shortens the charging time of the input capacitance of the power semiconductor and reduces the turn on switching loss.

The pull-down structure of the driver stage is implemented solely by a pull-down N-Channel MOSFET. This MOSFET can ensure the OUTL voltage be pulled down to VEE rail. The low pull-down impedance not only results in high sink current to reduce the turn-off time, but also helps to increase the noise immunity considering the miller effect.

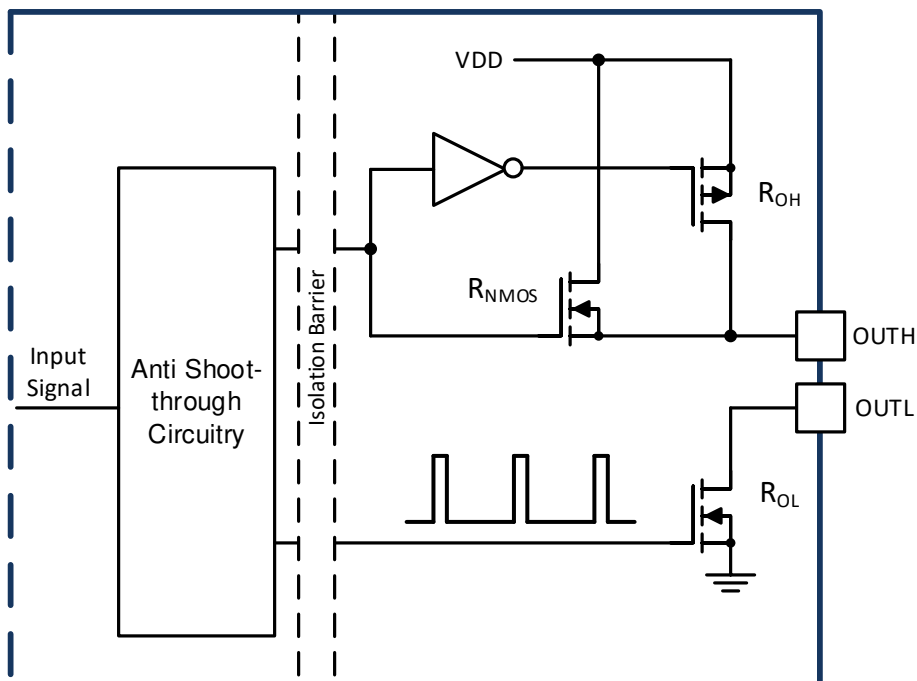


Figure 8-1. Gate Driver Output Stage

8.3.3 VCC and VDD Undervoltage Lockout (UVLO)

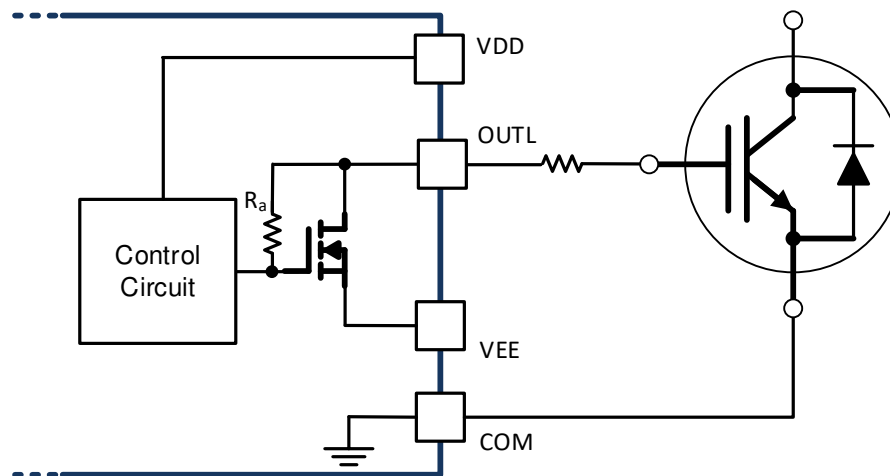
The UCC21750-Q1 implements the internal UVLO protection feature for both input and output power supplies VCC and VDD. When the supply voltage is lower than the threshold voltage, the driver output is held as LOW. The output only goes HIGH when both VCC and VDD are out of the UVLO status. The UVLO protection feature not only reduces the power consumption of the driver itself during low power supply voltage condition, but also increases the efficiency of the power stage. For SiC MOSFET and IGBT, the on-resistance reduces while the gate-source voltage or gate-emitter voltage increases. If the power semiconductor is turned on with a low VDD value, the conduction loss increases significantly and can lead to a thermal issue and efficiency reduction of the power stage. The UCC21750-Q1 implements a 12-V threshold voltage of VDD UVLO, with 800-mV hysteresis. This threshold voltage is suitable for both SiC MOSFET and IGBT.

The UVLO protection block features with hysteresis and deglitch filter, which help to improve the noise immunity of the power supply. During the turn-on and turn-off switching transient, the driver sources and sinks a peak transient current from the power supply, which can result in sudden voltage drop of the power supply. With hysteresis and UVLO deglitch filter, the internal UVLO protection block ignores small noises during the normal switching transients.

The timing diagrams of the UVLO feature of VCC and VDD are shown in 7-8, and 7-9. The RDY pin on the input side is used to indicate the power good condition. The RDY pin is open drain. During UVLO condition, the RDY pin is held in low status and connected to GND. Normally the pin is pulled up externally to VCC to indicate the power good. The AIN-APWM function stops working during the UVLO status. The APWM pin on the input side is held LOW.

8.3.4 Active Pulldown

The UCC21750-Q1 implements an active pulldown feature to ensure the OUTH/OUTL pin clamping to VEE when the VDD is open. The OUTH/OUTL pin is in high-impedance status when VDD is open, the active pulldown feature can prevent the output be false turned on before the device is back to control.



8-2. Active Pulldown

8.3.5 Short Circuit Clamping

During short circuit condition, the miller capacitance can cause a current sinking to the OUTH/OUTL/CLMPI pin due to the high dV/dt and boost the OUTH/OUTL/CLMPI voltage. The short circuit clamping feature of the UCC21750-Q1 can clamp the OUTH/OUTL/CLMPI pin voltage to be slightly higher than VDD, which can protect the power semiconductors from a gate-source and gate-emitter overvoltage breakdown. This feature is realized by an internal diode from the OUTH/OUTL/CLMPI to VDD.

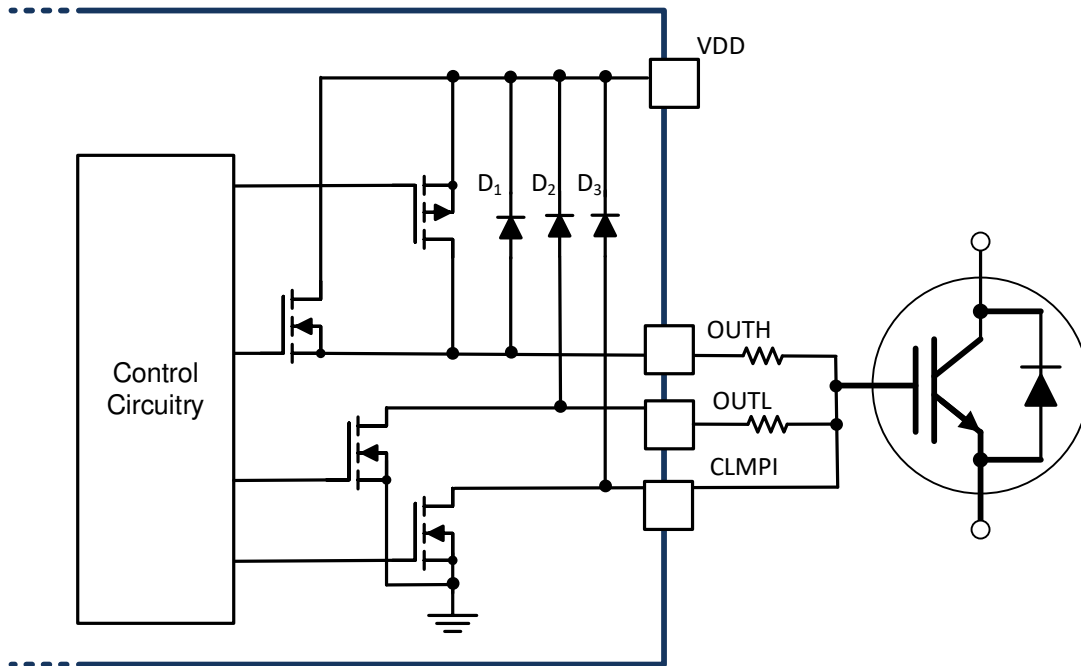


図 8-3. Short Circuit Clamping

8.3.6 Internal Active Miller Clamp

Active miller clamp feature is important to prevent the false turn-on while the driver is in OFF state. In applications which the device can be in synchronous rectifier mode, the body diode conducts the current during the deadtime while the device is in OFF state, the drain-source or collector-emitter voltage remains the same and the dV/dt happens when the other power semiconductor of the phase leg turns on. The low internal pull-down impedance of the UCC21750-Q1 can provide a strong pulldown to hold the OUTL to VEE. However, external gate resistance is usually adopted to limit the dV/dt . The miller effect during the turn on transient of the other power semiconductor can cause a voltage drop on the external gate resistor, which boost the gate-source or gate-emitter voltage. If the voltage on V_{GS} or V_{GE} is higher than the threshold voltage of the power semiconductor, a shoot through can happen and cause catastrophic damage. The active miller clamp feature of the UCC21750-Q1 drives an internal MOSFET, which connects to the device gate. The MOSFET is triggered when the gate voltage is lower than $V_{CLMP_{TH}}$, which is 2 V above VEE, and creates a low impedance path to avoid the false turn on issue.

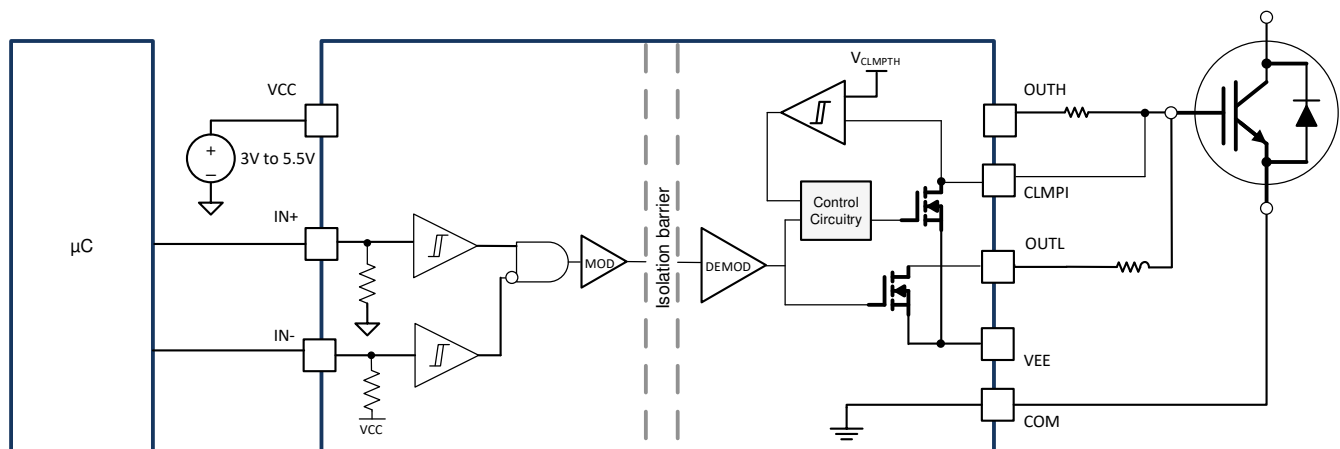


図 8-4. Active Miller Clamp

8.3.7 Desaturation (DESAT) Protection

The UCC21750-Q1 implements a fast overcurrent and short circuit protection feature to protect the IGBT module from catastrophic breakdown during fault. The DESAT pin of the device has a typical 9-V threshold with respect to COM, source or emitter of the power semiconductor. When the input is in floating condition, or the output is held in low state, the DESAT pin is pulled down by an internal MOSFET and held in LOW state, which prevents the overcurrent and short circuit fault from false triggering. The internal current source of the DESAT pin is activated only during the driver ON state, which means the overcurrent and short circuit protection feature only works when the power semiconductor is in on state. The internal pulldown MOSFET helps to discharge the voltage of DESAT pin when the power semiconductor is turned off. The UCC21750-Q1 features a 200-ns internal leading edge blanking time after the OUTH switches to high state. The internal current source is activated to charge the external blanking capacitor after the internal leading edge blanking time. The typical value of the internal current source is 500 μ A.

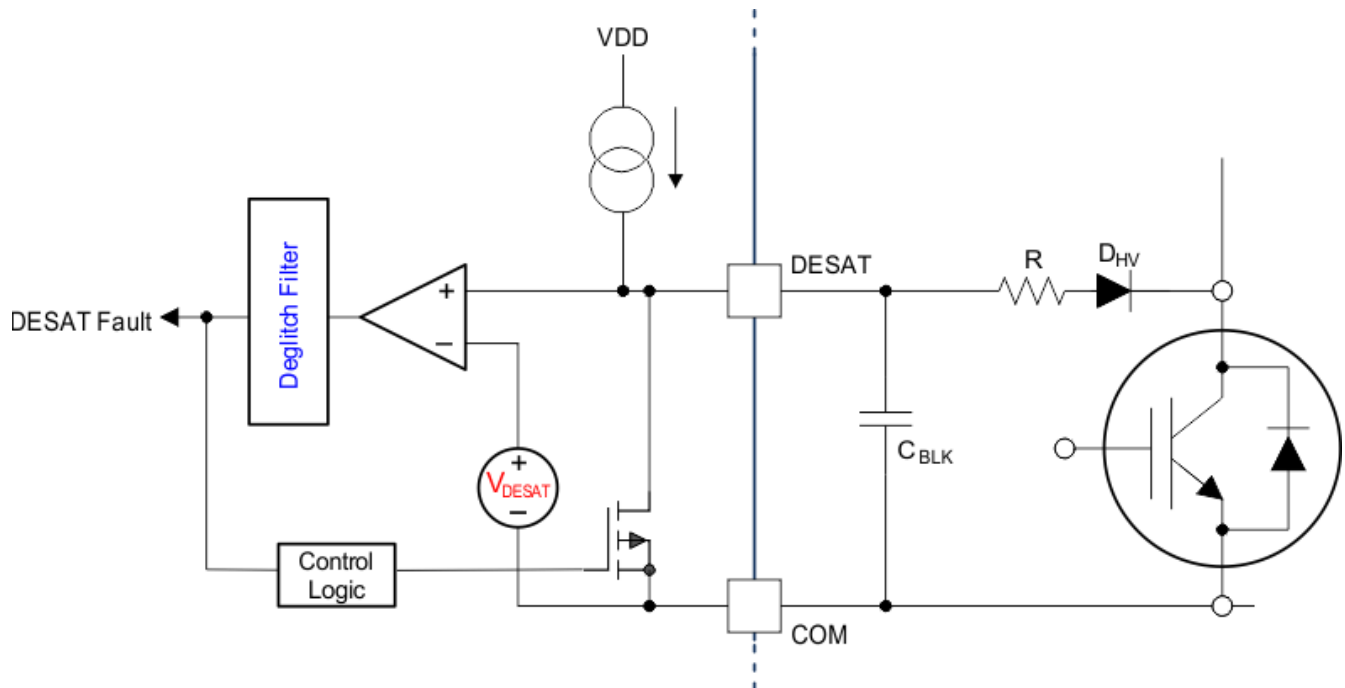


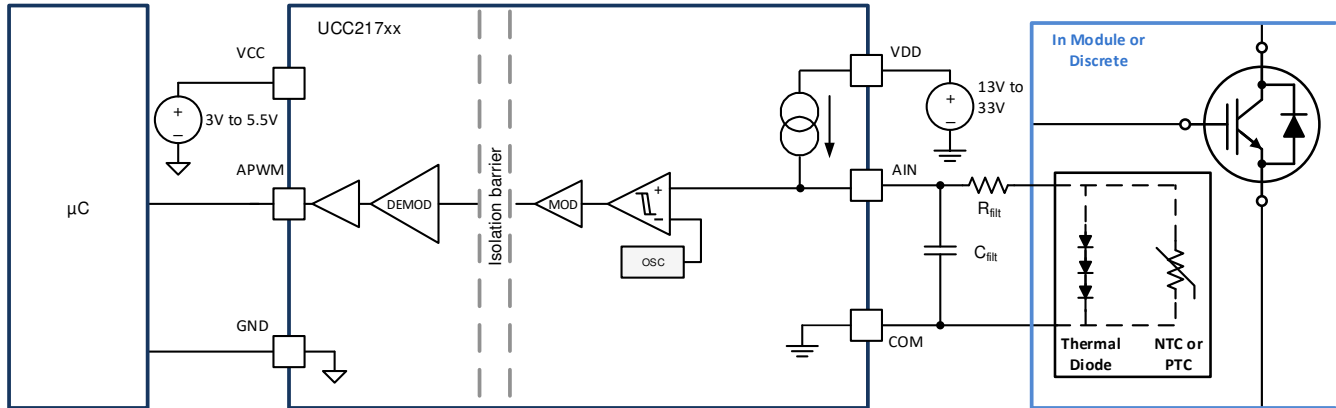
図 8-5. DESAT Protection

8.3.8 Soft Turn-Off

The UCC21750-Q1 initiates a soft turn-off when the overcurrent and short circuit protection is triggered. When the overcurrent and short circuit fault happens, the IGBT transits from the active region to the desaturation region very fast. The channel current is controlled by the gate voltage and decreasing in a soft manner, thus the overshoot of the IGBT is limited and prevents the overvoltage breakdown. There is a tradeoff between the overshoot voltage and short circuit energy. The turn off speed must be slow to limit the overshoot voltage, but the shutdown time must not be too long that the large energy dissipation can breakdown the device. The 400-mA soft turn-off current of the UCC21750-Q1 makes sure the power switches is safely turned off during short circuit events. The timing diagram of soft turn-off shows in 図 7-10.

range is from 0.6 V to 4.5 V, and the corresponding duty cycle of the APWM output ranges from 88% to 10%. The duty cycle increases linearly from 10% to 88% while the AIN voltage decreases from 4.5 V to 0.6 V. This action corresponds to the temperature coefficient of the negative temperature coefficient (NTC) resistor and thermal diode. When AIN is floating, the AIN voltage is 5 V and the APWM operates at 400 kHz with approximately 10% duty cycle. The accuracy of the duty cycle is $\pm 3\%$ across temperature without one time calibration. The accuracy can be improved using calibration. The accuracy of the internal current source I_{AIN} is $\pm 3\%$ across temperature.

The isolated analog to PWM signal feature can also support other analog signal sensing, such as the high voltage dc bus voltage, and so forth. The internal current source I_{AIN} must be taken into account when designing the potential divider if sensing a high voltage.



8-7. Isolated Analog to PWM Signal

8.4 Device Functional Modes

The 表 8-1 lists the device function.

表 8-1. Function Table

| INPUT | | | | | | | OUTPUT | | | | |
|-------|------|------|------|------|--------|-----|--------|-----|---------------|-------|------|
| VCC | VDD | VEE | IN+ | IN- | RST/EN | AIN | RDY | FLT | OUTH/ OULT | CLMPI | APWM |
| PU | PD | PU | X | X | X | X | Low | HiZ | Low | Low | Low |
| PD | PU | PU | X | X | X | X | Low | HiZ | Low | Low | Low |
| PU | PU | PU | X | X | Low | X | HiZ | HiZ | Low | Low | Low |
| PU | Open | PU | X | X | X | X | Low | HiZ | HiZ | HiZ | HiZ |
| PU | PU | Open | X | X | X | X | Low | HiZ | Low | Low | Low |
| PU | PU | PU | Low | X | High | X | HiZ | HiZ | Low | Low | P* |
| PU | PU | PU | X | High | High | X | HiZ | HiZ | Low | Low | P* |
| PU | PU | PU | High | High | High | X | HiZ | HiZ | Low | Low | P* |
| PU | PU | PU | High | Low | High | X | HiZ | HiZ | High | HiZ | P* |

PU: Power Up ($V_{CC} \geq 2.85$ V, $V_{DD} \geq 13.1$ V, $V_{EE} \leq 0$ V); PD: Power Down ($V_{CC} \leq 2.35$ V, $V_{DD} \leq 9.9$ V); X: Irrelevant; P*: PWM Pulse; HiZ: High Impedance

9 Applications and Implementation

注

以下のアプリケーション情報は、TI の製品仕様に含まれるものではなく、TI ではその正確性または完全性を保証いたしません。個々の目的に対する製品の適合性については、お客様の責任で判断していただくこととなります。お客様は自身の設計実装を検証しテストすることで、システムの機能を確認する必要があります。

9.1 Application Information

The UCC21750-Q1 device is very versatile because of the strong drive strength, wide range of output power supply, high isolation ratings, high CMTI and superior protection and sensing features. The 1.5-kVRMS working voltage and 12.8-kVPK surge immunity can support up both SiC MOSFET and IGBT modules with DC bus voltage up to 2121 V. The device can be used in both low power and high power applications such as the traction inverter in HEV/EV, on-board charger and charging pile, motor driver, solar inverter, industrial power supplies and so forth. The device can drive the high power SiC MOSFET module, IGBT module or paralleled discrete device directly without external buffer drive circuit based on NPN/PNP bipolar transistor in totem-pole structure, which allows the driver to have more control to the power semiconductor and saves the cost and space of the board design. The UCC21750-Q1 can also be used to drive very high power modules or paralleled modules with external buffer stage. The input side can support power supply and microcontroller signal from 3.3 V to 5 V, and the device level shifts the signal to output side through reinforced isolation barrier. The device has wide output power supply range from 13 V to 33 V and support wide range of negative power supply. This feature allows the driver to be used in SiC MOSFET applications, IGBT application and many others. The 12-V UVLO benefits the power semiconductor with lower conduction loss and improves the system efficiency. As a reinforced isolated single channel driver, the device can be used to drive either a low-side or high-side driver.

The UCC21750-Q1 device features extensive protection and monitoring features, which can monitor, report and protect the system from various fault conditions.

- Fast detection and protection for the overcurrent and short circuit fault. The semiconductor is shutdown when the fault is detected and $\overline{\text{FLT}}$ pin is pulled down to indicate the fault detection. The device is latched unless reset signal is received from the $\overline{\text{RST/EN}}$ pin.
- Soft turn-off feature to protect the power semiconductor from catastrophic breakdown during overcurrent and short circuit fault. The shutdown energy can be controlled while the overshoot of the power semiconductor is limited.
- UVLO detection to protect the semiconductor from excessive conduction loss. After the device is detected to be in UVLO mode, the output is pulled down and RDY pin indicates the power supply is lost. The device is back to normal operation mode after the power supply is out of the UVLO status. The power good status can be monitored from the RDY pin.
- Analog signal sensing with isolated analog to PWM signal feature. This feature allows the device to sense the temperature of the semiconductor from the thermal diode or temperature sensing resistor, or dc bus voltage with resistor divider. A PWM signal is generated on the low voltage side with reinforced isolated from the high voltage side. The signal can be fed back to the microcontroller for the temperature monitoring, voltage monitoring and so forth.
- The active miller clamp feature protects the power semiconductor from false turn on.
- Enable and disable function through the $\overline{\text{RST/EN}}$ pin.
- Short circuit clamping.
- Active pulldown.

9.2 Typical Application

図 9-1 shows the typical application of a half bridge using two UCC21750-Q1 isolated gate drivers. The half bridge is a basic element in various power electronics applications such as traction inverter in HEV/EV to convert the DC current of the electric vehicle's battery to the AC current to drive the electric motor in the propulsion system. The topology can also be used in motor drive applications to control the operating speed and torque of the AC motors.

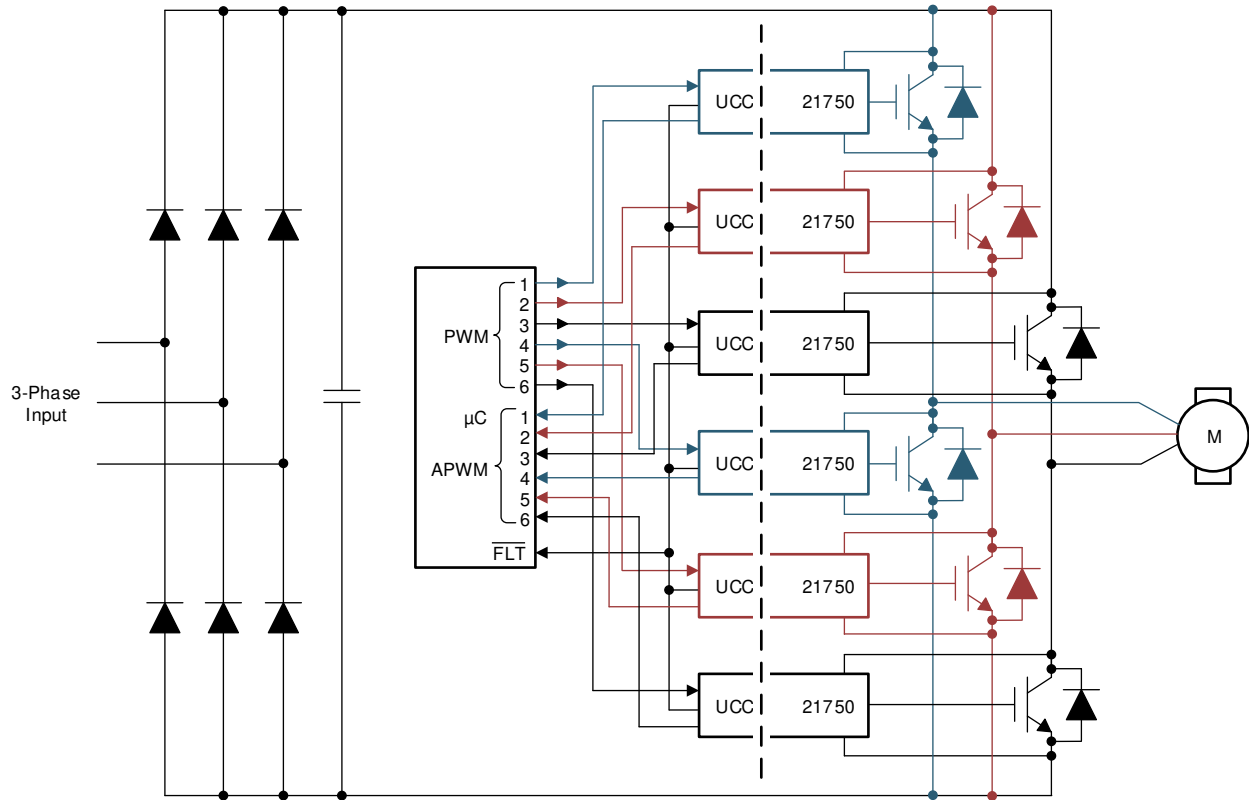


図 9-1. Typical Application Schematic

9.2.1 Design Requirements

The design of the power system for end equipment must consider some design requirements to ensure the reliable operation of the UCC21750-Q1 through the load range. The design considerations include the peak source and sink current, power dissipation, overcurrent and short circuit protection, AIN-APWM function for analog signal sensing and so forth.

A design example for a half bridge based on IGBT is given in this subsection. 表 9-1 shows the design parameters.

表 9-1. Design Parameters

| PARAMETER | VALUE |
|-----------------------------|---------------|
| Input supply voltage | 5 V |
| IN-OUT configuration | Non-inverting |
| Positive output voltage VDD | 15 V |
| Negative output voltage VEE | -5 V |
| DC bus voltage | 800 V |
| Peak drain current | 300 A |
| Switching frequency | 50 kHz |
| Switch type | IGBT module |

9.2.2 Detailed Design Procedure

9.2.2.1 Input Filters for IN+, IN-, and $\overline{RST/EN}$

In the applications of traction inverter or motor drive, the power semiconductors are in hard switching mode. With the strong drive strength of the UCC21750-Q1, the dV/dt can be high, especially for SiC MOSFET. Noise cannot

only be coupled to the gate voltage due to the parasitic inductance, but also to the input side as the non-ideal PCB layout and coupled capacitance.

The UCC21750-Q1 features a 40-ns internal deglitch filter to IN+, IN– and $\overline{\text{RST/EN}}$ pin. Any signal less than 40 ns can be filtered out from the input pins. For noisy systems, external low-pass filter can be added externally to the input pins. Adding low-pass filters to IN+, IN– and $\overline{\text{RST/EN}}$ pins can effectively increase the noise immunity and increase the signal integrity. When not in use, the IN+, IN– and $\overline{\text{RST/EN}}$ pins must not be floating. IN– must be tied to GND if only IN+ is used for non-inverting input to output configuration. The purpose of the low-pass filter is to filter out the high frequency noise generated by the layout parasitics. While choosing the low-pass filter resistors and capacitors, both the noise immunity effect and delay time must be considered according to the system requirements.

9.2.2.2 PWM Interlock of IN+ and IN–

The UCC21750-Q1 features the PWM interlock for IN+ and IN– pins, which can be used to prevent the phase leg shoot through issue. As shown in 表 8-1, the output is logic low while both IN+ and IN– are logic high. When only IN+ is used, IN– can be tied to GND. To use the PWM interlock function, the PWM signal of the other switch in the phase leg can be sent to the IN– pin. As shown in 図 9-2, the PWM_T is the PWM signal to top side switch, the PWM_B is the PWM signal to bottom side switch. For the top side gate driver, the PWM_T signal is given to the IN+ pin, while the PWM_B signal is given to the IN– pin; for the bottom side gate driver, the PWM_B signal is given to the IN+ pin, while PWM_T signal is given to the IN– pin. When both PWM_T and PWM_B signals are high, the outputs of both gate drivers are logic low to prevent the shoot through condition.

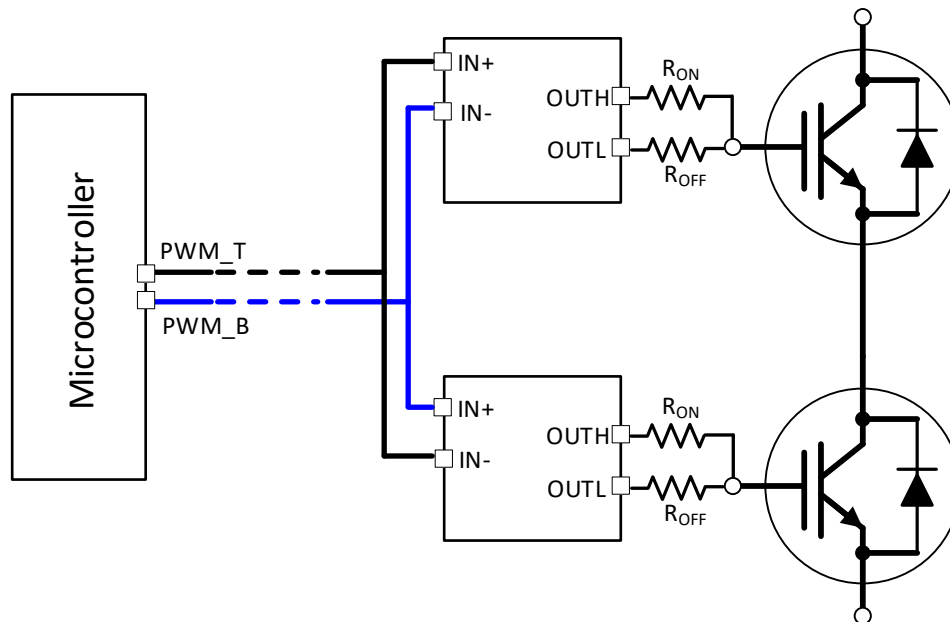


図 9-2. PWM Interlock for a Half Bridge

9.2.2.3 $\overline{\text{FLT}}$, RDY, and $\overline{\text{RST/EN}}$ Pin Circuitry

Both $\overline{\text{FLT}}$ and RDY pin are open-drain output. The $\overline{\text{RST/EN}}$ pin has a 50-k Ω internal pulldown resistor, so the driver is in OFF status if the $\overline{\text{RST/EN}}$ pin is not pulled up externally. A 5 k Ω resistor can be used as pullup resistor for the $\overline{\text{FLT}}$, RDY and $\overline{\text{RST/EN}}$ pins.

To improve the noise immunity due to the parasitic coupling and common mode noise, low pass filters can be added between the $\overline{\text{FLT}}$, RDY and $\overline{\text{RST/EN}}$ pins and the microcontroller. A filter capacitor between 100 pF to 300 pF can be added.

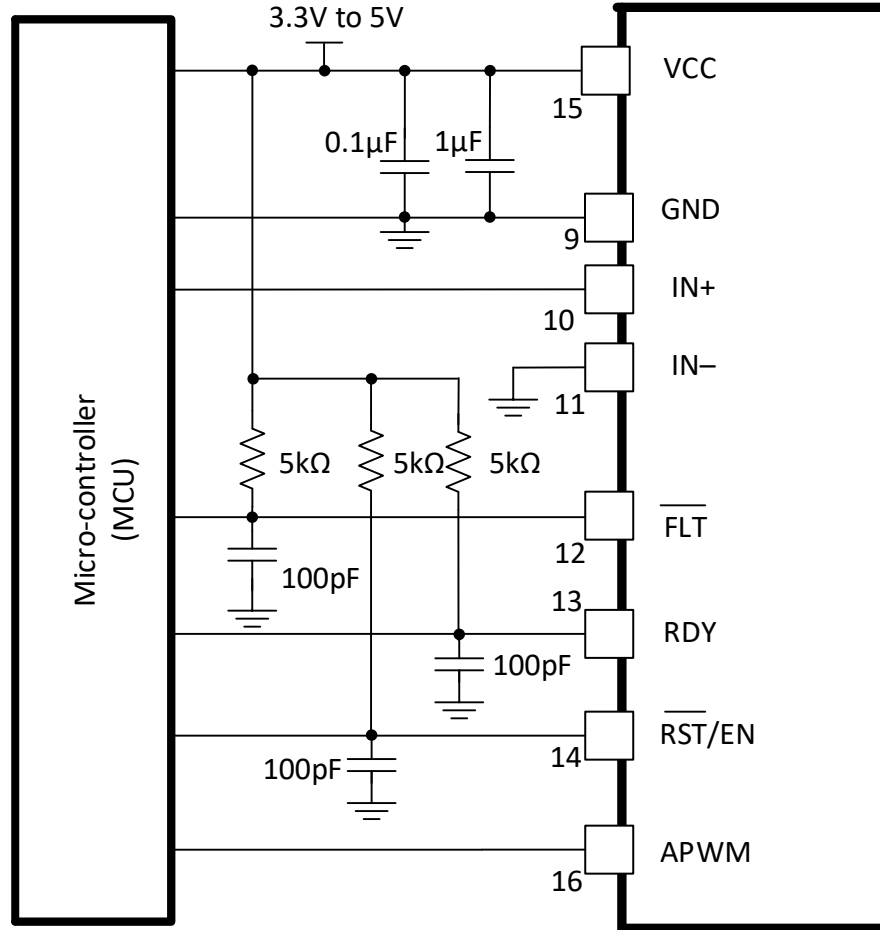


図 9-3. $\overline{\text{FLT}}$, RDY, and $\overline{\text{RST/EN}}$ Pins Circuitry

9.2.2.4 $\overline{\text{RST/EN}}$ Pin Control

The $\overline{\text{RST/EN}}$ pin has two functions. The pin is used to enable or shutdown the outputs of the driver and to reset the fault signaled on the $\overline{\text{FLT}}$ pin after DESAT is detected. $\overline{\text{RST/EN}}$ pin must to be pulled up to enable the device; when the pin is pulled down, the device is in disabled status. By default the driver is disabled with the internal 50k Ω pull-down resistor at this pin.

When the driver is latched after DESAT is detected, the $\overline{\text{FLT}}$ pin and output are latched low and must be reset by the $\overline{\text{RST/EN}}$ pin. The microcontroller must send a signal to $\overline{\text{RST/EN}}$ pin after the fault to reset the driver. The driver does not respond until after the mute time t_{FLTMUTE} . The reset signal must be held low for at least t_{RSTFIL} after the mute time.

This pin can also be used to automatically reset the driver. The continuous input signal IN+ or IN- can be applied to $\overline{\text{RST/EN}}$ pin. There is no separate reset signal from the microcontroller when configuring the driver this way. If the PWM is applied to the non-inverting input IN+, then IN+ can also be tied to $\overline{\text{RST/EN}}$ pin. If the PWM is applied to the inverting input IN-, then a NOT logic is needed between the PWM signal from the microcontroller and the $\overline{\text{RST/EN}}$ pin. Using either configuration results in the driver being reset in every switching cycle without an extra control signal from microcontroller tied to $\overline{\text{RST/EN}}$ pin. One must ensure the PWM off-time is greater than t_{RSTFIL} in order to reset the driver in cause of a DESAT fault.

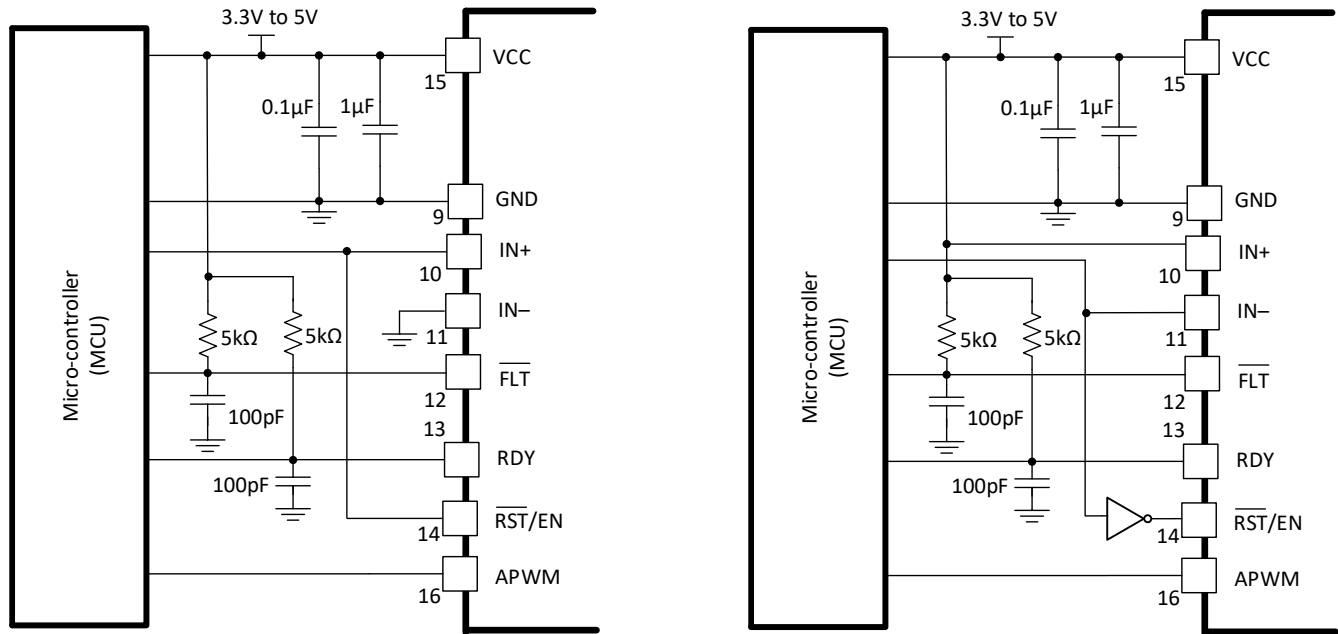


図 9-4. Automatic Reset Control

9.2.2.5 Turn-On and Turn-Off Gate Resistors

The UCC21750-Q1 features split outputs OUTH and OUTL, which enables the independent control of the turn on and turn off switching speed. The turn on and turn off resistance determine the peak source and sink current, which controls the switching speed in turn. Meanwhile, the power dissipation in the gate driver must be considered to ensure the device is in the thermal limit. At first, the peak source and sink current are calculated as:

$$I_{\text{source_pk}} = \min\left(10\text{A}, \frac{V_{\text{DD}} - V_{\text{EE}}}{R_{\text{OH_EFF}} + R_{\text{ON}} + R_{\text{G_Int}}}\right)$$

$$I_{\text{sink_pk}} = \min\left(10\text{A}, \frac{V_{\text{DD}} - V_{\text{EE}}}{R_{\text{OL}} + R_{\text{OFF}} + R_{\text{G_Int}}}\right)$$

(1)

Where

- $R_{\text{OH_EFF}}$ is the effective internal pull up resistance of the hybrid pull-up structure, shown in 図 8-1, which is approximately $2 \times R_{\text{OL}}$, about 0.7 Ω . This is the dominant resistance during the switching transient of the pull up structure.
- R_{OL} is the internal pulldown resistance, about 0.3 Ω .
- R_{ON} is the external turn on gate resistance.
- R_{OFF} is the external turn off gate resistance.
- $R_{\text{G_Int}}$ is the internal resistance of the SiC MOSFET or IGBT module.

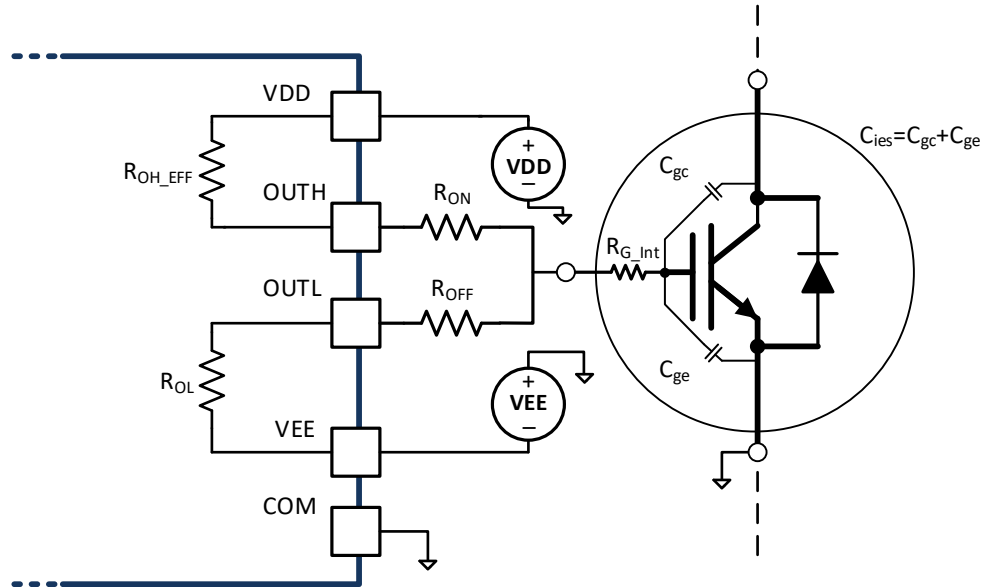


FIG 9-5. Output Model for Calculating Peak Gate Current

For example, for an IGBT module based system with the following parameters:

- $Q_g = 3300 \text{ nC}$
- $R_{G_Int} = 1.7 \Omega$
- $R_{ON} = R_{OFF} = 1 \Omega$

The peak source and sink current in this case are:

$$I_{\text{source_pk}} = \min\left(10\text{A}, \frac{V_{DD} - V_{EE}}{R_{OH_EFF} + R_{ON} + R_{G_Int}}\right) \approx 5.9\text{A}$$

$$I_{\text{sink_pk}} = \min\left(10\text{A}, \frac{V_{DD} - V_{EE}}{R_{OL} + R_{OFF} + R_{G_Int}}\right) \approx 6.7\text{A} \quad (2)$$

Thus, by using a 1-Ω external gate resistance, the peak source current is 5.9 A, the peak sink current is 6.7 A. The collector-to-emitter dV/dt during the turn on switching transient is dominated by the gate current at the miller plateau voltage. The hybrid pullup structure ensures the peak source current at the miller plateau voltage, unless the turn on gate resistor is too high. The faster the collector-to-emitter, V_{ce} , voltage rises to V_{DC} , the smaller the turn on switching loss is. The dV/dt can be estimated as $Q_g/I_{\text{source_pk}}$. For the turn off switching transient, the drain-to-source dV/dt is dominated by the load current, unless the turn off gate resistor is too high. After V_{ce} reaches the dc bus voltage, the power semiconductor is in saturation mode and the channel current is controlled by V_{ge} . The peak sink current determines the dI/dt , which dominates the V_{ce} voltage overshoot accordingly. If using relatively large turn off gate resistance, the V_{ce} overshoot can be limited. The overshoot can be estimated by:

$$\Delta V_{ce} = L_{\text{stray}} \cdot I_{\text{load}} / ((R_{OFF} + R_{OL} + R_{G_Int}) \cdot C_{ies} \cdot \ln(V_{\text{plat}} / V_{th})) \quad (3)$$

Where

- L_{stray} is the stray inductance in power switching loop, as shown in FIG 9-6
- I_{load} is the load current, which is the turn off current of the power semiconductor
- C_{ies} is the input capacitance of the power semiconductor
- V_{plat} is the plateau voltage of the power semiconductor
- V_{th} is the threshold voltage of the power semiconductor

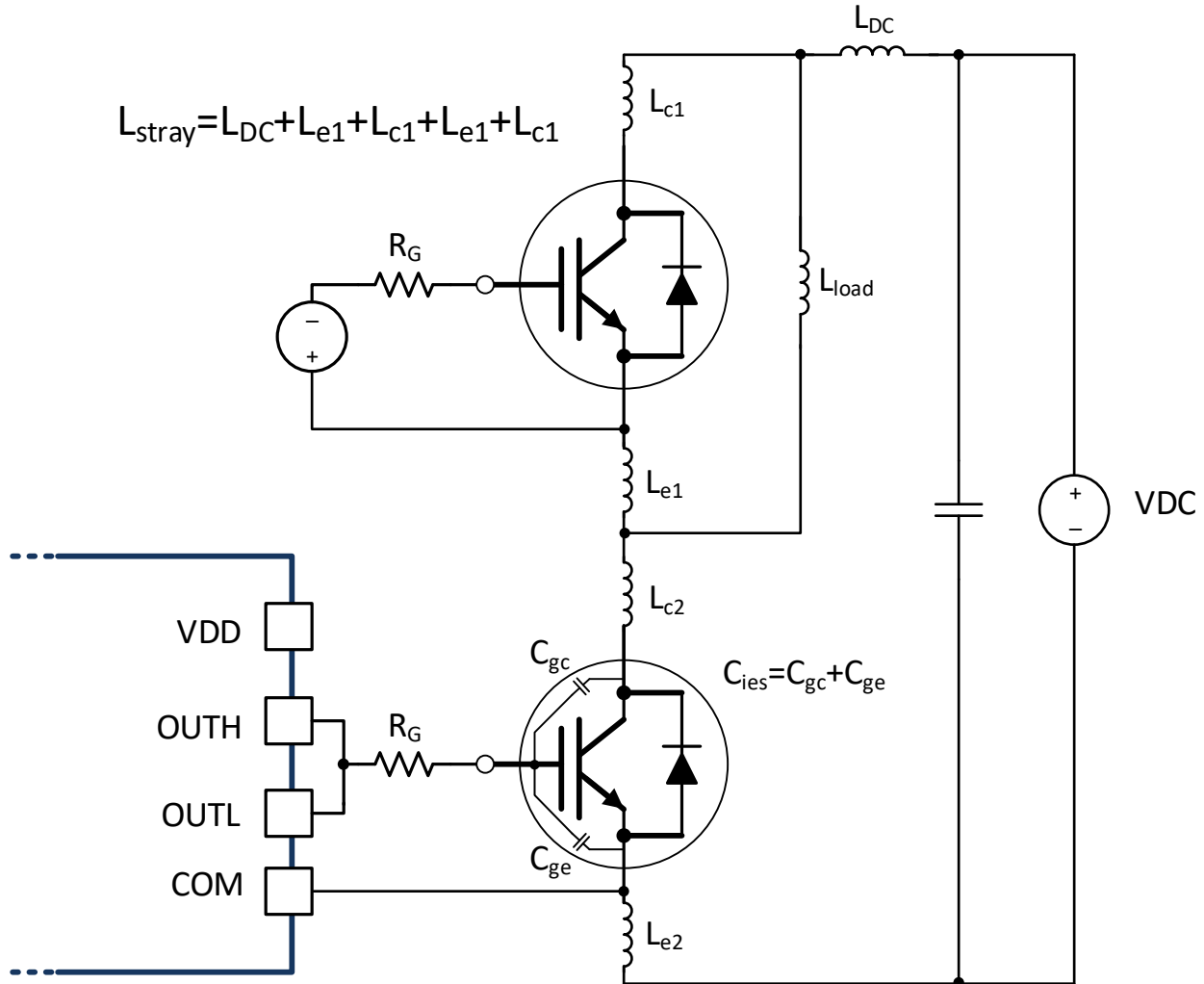


図 9-6. Stray Parasitic Inductance of IGBTs in a Half-Bridge Configuration

The power dissipation must be taken into account to maintain the gate driver within the thermal limit. The power loss of the gate driver includes the quiescent loss and the switching loss, which can be calculated as:

$$P_{DR} = P_Q + P_{SW} \tag{4}$$

P_Q is the quiescent power loss for the driver, which is $I_q \times (VDD - VEE) = 5 \text{ mA} \times 20 \text{ V} = 0.100 \text{ W}$. The quiescent power loss is the power consumed by the internal circuits such as the input stage, reference voltage, logic circuits, protection circuits when the driver is switching when the driver is biased with VDD and VEE, and also the charging and discharging current of the internal circuit when the driver is switching. The power dissipation when the driver is switching can be calculated as:

$$P_{SW} = \frac{1}{2} \cdot \left(\frac{R_{OH_EFF}}{R_{OH_EFF} + R_{ON} + R_{G_Int}} + \frac{R_{OL}}{R_{OL} + R_{OFF} + R_{G_Int}} \right) \cdot (VDD - VEE) \cdot f_{sw} \cdot Q_g \tag{5}$$

Where

- Q_g is the gate charge required at the operation point to fully charge the gate voltage from VEE to VDD
- f_{sw} is the switching frequency

In this example, the P_{SW} can be calculated as:

$$P_{SW} = \frac{1}{2} \cdot \left(\frac{R_{OH_EFF}}{R_{OH_EFF} + R_{ON} + R_{G_Int}} + \frac{R_{OL}}{R_{OL} + R_{OFF} + R_{G_Int}} \right) \cdot (VDD - VEE) \cdot f_{sw} \cdot Q_g = 0.505W \quad (6)$$

Thus, the total power loss is:

$$P_{DR} = P_Q + P_{SW} = 0.10W + 0.505W = 0.605W \quad (7)$$

When the board temperature is 125°C, the junction temperature can be estimated as:

$$T_j = T_b + \psi_{jb} \cdot P_{DR} \approx 150^\circ C \quad (8)$$

Therefore, for the application in this example, with 125°C board temperature, the maximum switching frequency is approximately 50 kHz to keep the gate driver in the thermal limit. By using a lower switching frequency, or increasing external gate resistance, the gate driver can be operated at a higher switching frequency.

9.2.2.6 Overcurrent and Short Circuit Protection

A standard desaturation circuit can be applied to the DESAT pin. If the voltage of the DESAT pin is higher than the threshold V_{DESAT} , the soft turn-off is initiated. A fault is reported to the input side to DSP/MCU. The output is held to LOW after the fault is detected, and can only be reset by the RST/EN pin. The state-of-art overcurrent and short circuit detection time helps to ensure a short shutdown time for SiC MOSFET and IGBT.

If DESAT pin is not in use, it must be tied to COM to avoid overcurrent fault false triggering.

- TI recommends fast reverse recovery high voltage diode in the desaturation circuit. A resistor is recommended in series with the high voltage diode to limit the inrush current.
- TI recommends a Schottky diode from COM to DESAT to prevent driver damage caused by negative voltage.
- TI recommends a Zener diode from COM to DESAT to prevent driver damage caused by positive voltage.

9.2.2.7 Isolated Analog Signal Sensing

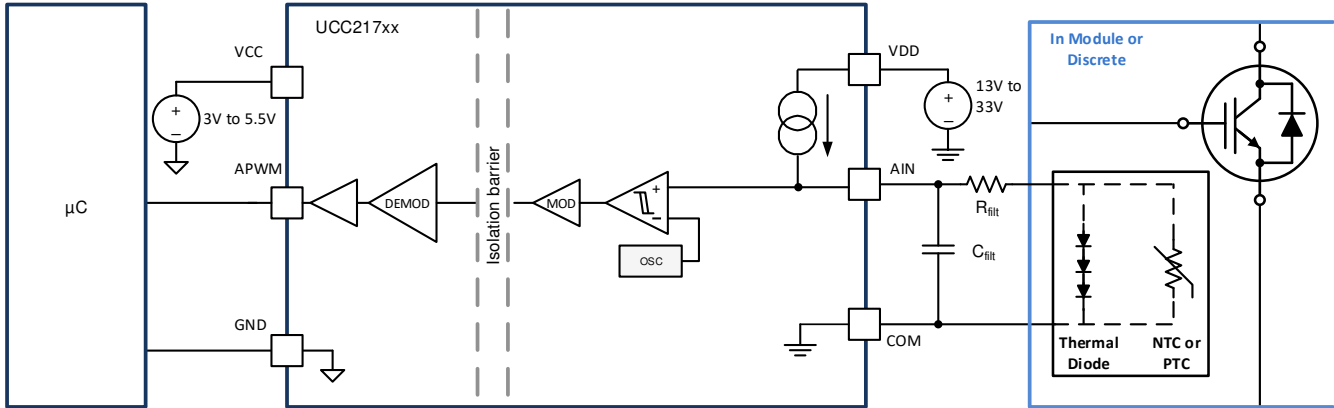
The isolated analog signal sensing feature provides a simple isolated channel for the isolated temperature detection, voltage sensing and so forth. One typical application of this function is the temperature monitor of the power semiconductor. Thermal diodes or temperature sensing resistors are integrated in the SiC MOSFET or IGBT module close to the dies to monitor the junction temperature. The UCC21750-Q1 has an internal 200- μ A current source with $\pm 3\%$ accuracy across temperature, which can forward bias the thermal diodes or create a voltage drop on the temperature sensing resistors. The sensed voltage from the AIN pin is passed through the isolation barrier to the input side and transformed to a PWM signal. The duty cycle of the PWM changes linearly from 10% to 88% when the AIN voltage changes from 4.5 V to 0.6 V and can be represented using 式 9.

$$D_{APWM}(\%) = -20 * V_{AIN} + 100 \quad (9)$$

9.2.2.7.1 Isolated Temperature Sensing

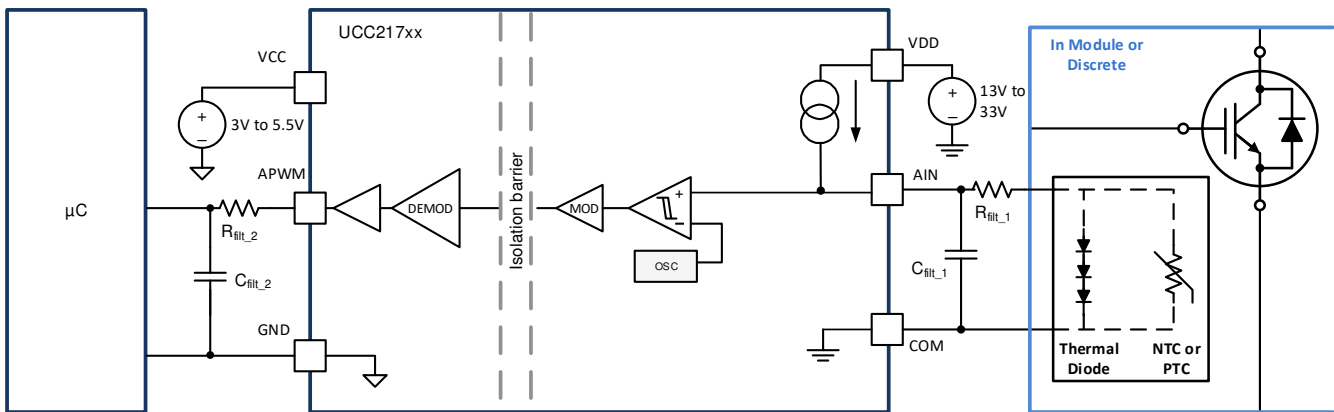
A typical application circuit is shown in 図 9-7. To sense temperature, the AIN pin is connected to the thermal diode or thermistor which can be discrete or integrated within the power module. TI recommends a low pass filter for the AIN input. Because the temperature signal does not have a high bandwidth, the low pass filter is mainly used for filtering the noise introduced by the switching of the power device, which does not require stringent control for propagation delay. The filter capacitance for C_{filt} can be chosen between 1 nF to 100 nF and the filter resistance R_{filt} between 1 Ω to 10 Ω according to the noise level.

The output of APWM is directly connected to the microcontroller to measure the duty cycle dependent on the voltage input at AIN, using 式 9.



9-7. Thermal Diode or Thermistor Temperature Sensing Configuration

When a high-precision voltage supply for VCC is used on the primary side of UCC21750-Q1 the duty cycle output of APWM can also be filtered and the voltage measured using the microcontroller's ADC input pin, as shown in 9-8. The frequency of APWM is 400 kHz, so the value for R_{filt_2} and C_{filt_2} must be such that the cutoff frequency is below 400 kHz. Temperature does not change rapidly, thus the rise time due to the RC constant of the filter is not under a strict requirement.



9-8. APWM Channel with Filtered Output

The example below shows the results using a 4.7-kΩ NTC, NTCS0805E3472FMT, in series with a 3-kΩ resistor and also the thermal diode using four diode-connected MMBT3904 NPN transistors. The sensed voltage of the 4 MMBT3904 thermal diodes connected in series ranges from about 2.5 V to 1.6 V from 25°C to 135°C, corresponding to 50% to 68% duty cycle. The sensed voltage of the NTC thermistor connected in series with the 3-kΩ resistor ranges from about 1.5 V to 0.6 V from 25°C to 135°C, corresponding to 70% to 88% duty cycle. The voltage at VAIN of both sensors and the corresponding measured duty cycle at APWM is shown in 9-9.

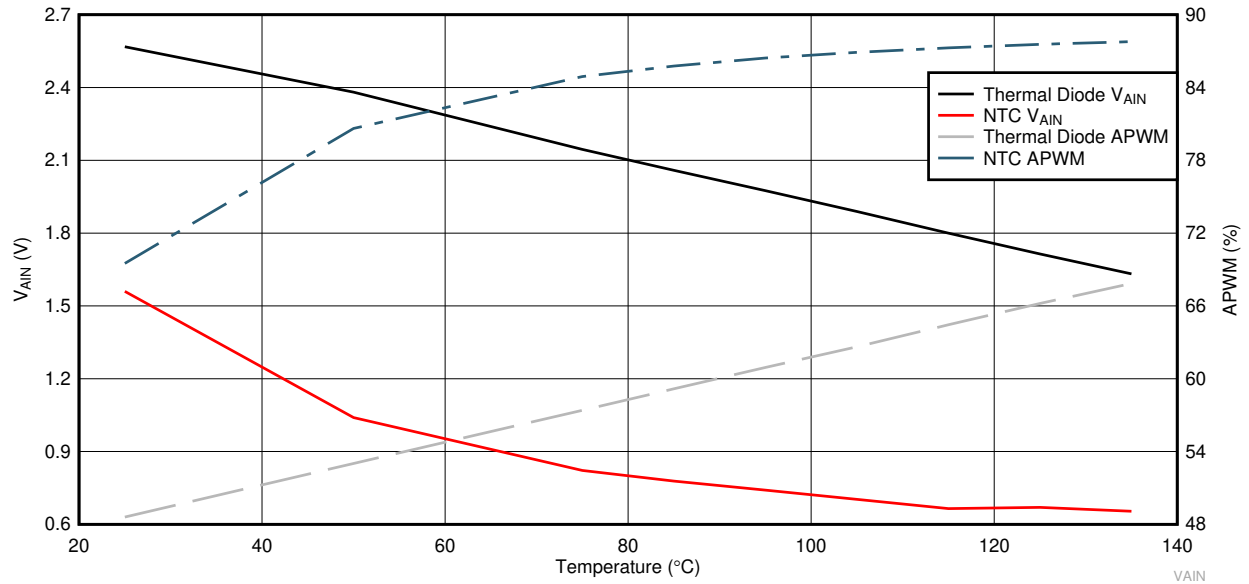


Figure 9-9. Thermal Diode and NTC V_{AIN} and Corresponding Duty Cycle at APWM

The duty cycle output has an accuracy of $\pm 3\%$ throughout temperature without any calibration, as shown in Figure 9-10 but with single-point calibration at 25°C, the duty accuracy can be improved to $\pm 1\%$, as shown in Figure 9-11.

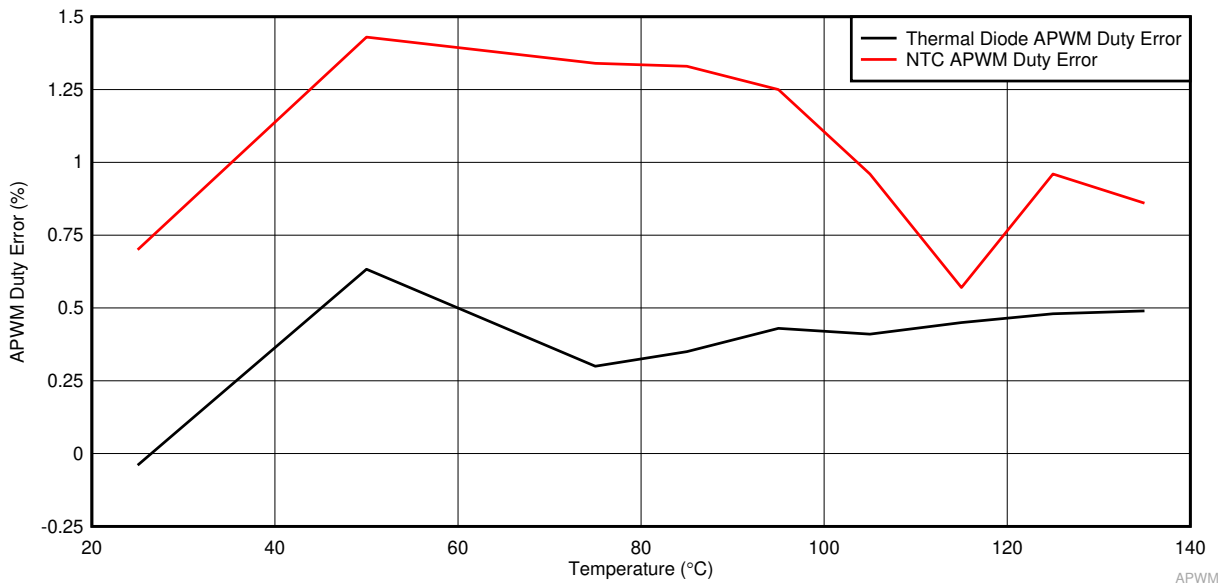


Figure 9-10. APWM Duty Error Without Calibration

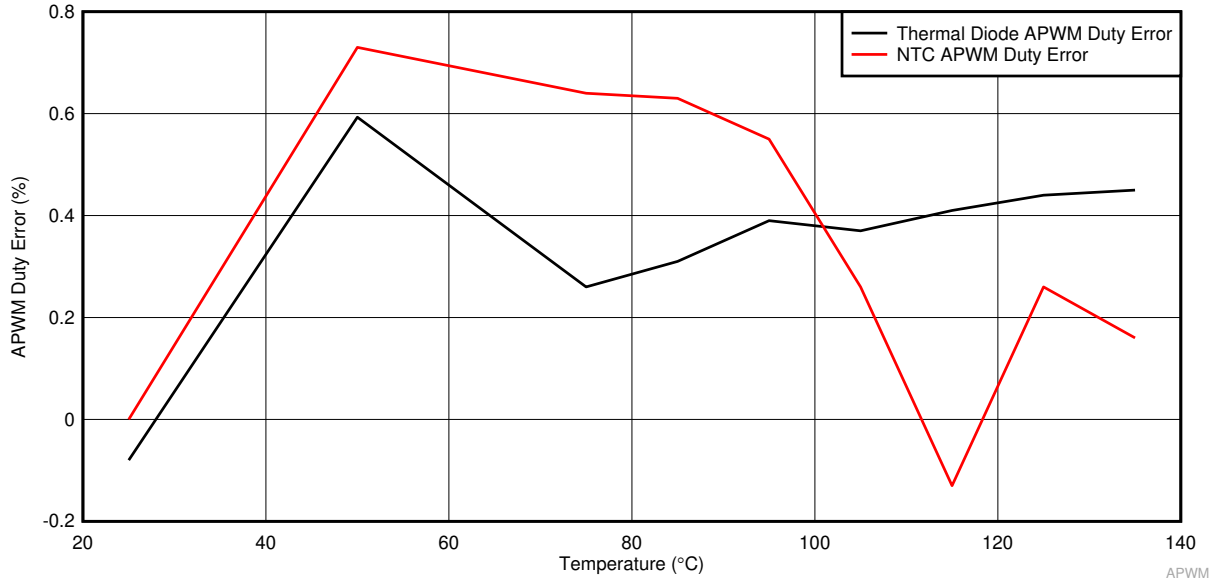


図 9-11. APWM Duty Error With Single-Point Calibration

9.2.2.7.2 Isolated DC Bus Voltage Sensing

The AIN to APWM channel can be used for other applications such as the DC-link voltage sensing, as shown in 9-12. The same filtering requirements as given above can be used in this case, as well. The number of attenuation resistors, R_{atten_1} through R_{atten_n} , is dependent on the voltage level and power rating of the resistor. The voltage is finally measured across R_{LV_DC} to monitor the stepped-down voltage of the HV DC-link which must fall within the voltage range of AIN from 0.6 V to 4.5 V. The driver must be referenced to the same point as the measurement reference, thus in the case shown below the UCC21750-Q1 is driving the lower IGBT in the half-bridge and the DC-link voltage measurement is referenced to COM. The internal current source I_{AIN} must be taken into account when designing the resistor divider. The AIN pin voltage is:

$$V_{AIN} = \frac{R_{LV_DC}}{R_{LV_DC} + \sum_{i=1}^n R_{atten_i}} \cdot V_{DC} + R_{LV_DC} \cdot I_{AIN} \tag{10}$$

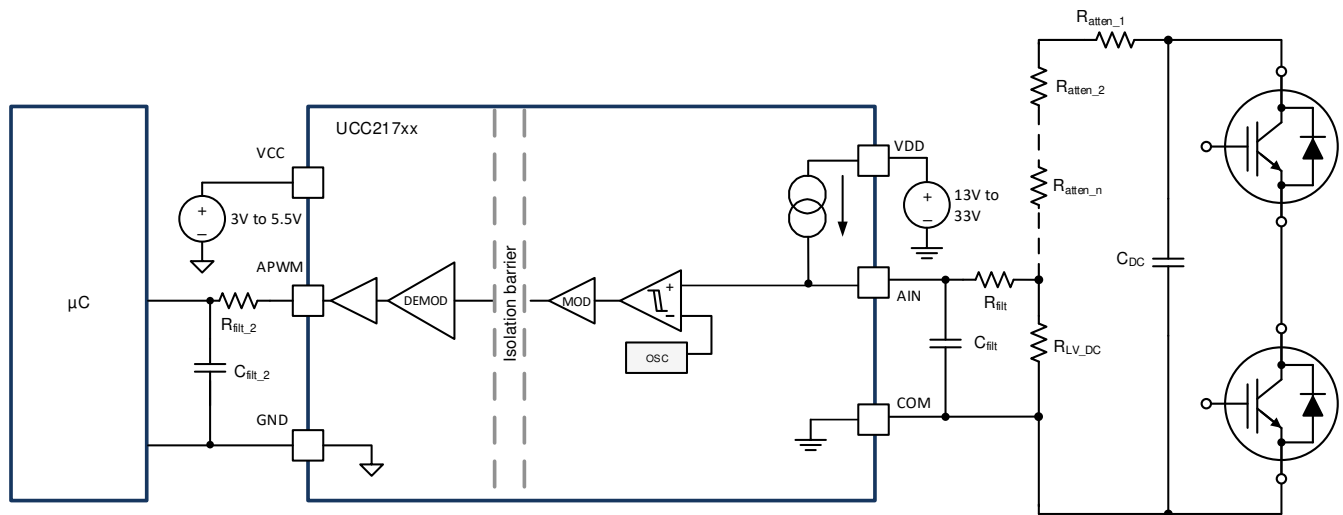


図 9-12. DC-link Voltage Sensing Configuration

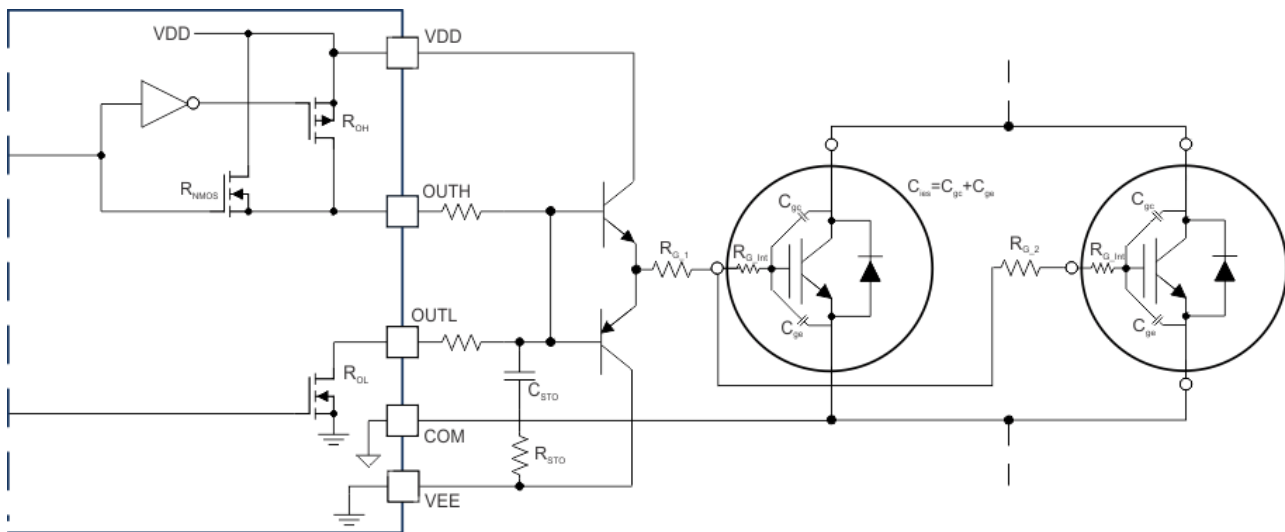
9.2.2.8 Higher Output Current Using an External Current Buffer

To increase the IGBT gate drive current, a non-inverting current buffer (such as the NPN/PNP buffer shown in 9-13) can be used. Inverting types are not compatible with the desaturation fault protection circuitry and must be avoided. The MJD44H11/MJD45H11 pair is appropriate for peak currents up to 15 A, the D44VH10/ D45VH10 pair is up to 20-A peak.

In the case of an over-current detection, the soft turn off (STO) is activated. External components must be added to implement STO instead of normal turn off speed when an external buffer is used. C_{STO} sets the timing for soft turn off and R_{STO} limits the inrush current to below the current rating of the internal FET (10A). R_{STO} must be at least $(VDD-VEE)/10$. The soft turn off timing is determined by the internal current source of 400 mA and the capacitor C_{STO} . C_{STO} is calculated using 式 11.

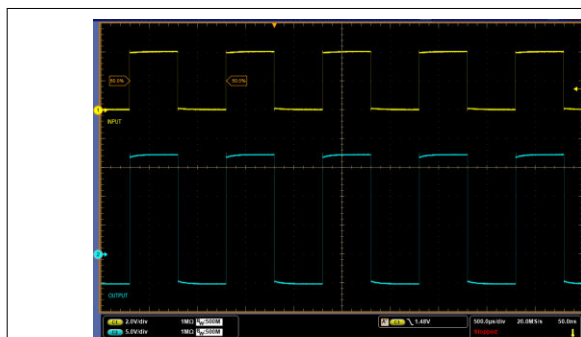
$$C_{STO} = \frac{I_{STO} \cdot t_{STO}}{VDD - VEE} \quad (11)$$

- I_{STO} is the internal STO current source, 400 mA
- t_{STO} is the desired STO timing

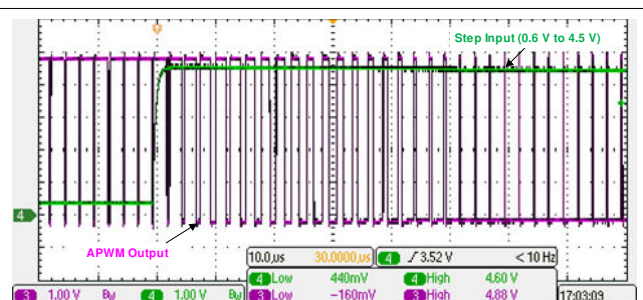


9-13. Current Buffer for Increased Drive Strength

9.2.3 Application Curves



9-14. PWM Input (Yellow) and Driver Output (Blue)



9-15. AIN Step Input (Green) and APWM Output (Pink)

10 Power Supply Recommendations

During the turn on and turn off switching transient, the peak source and sink current is provided by the VDD and VEE power supply. The large peak current is possible to drain the VDD and VEE voltage level and cause a voltage droop on the power supplies. To stabilize the power supply and ensure a reliable operation, TI recommends a set of decoupling capacitors at the power supplies. Considering the UCC21750-Q1 has $\pm 10\text{-A}$ peak drive strength and can generate high dV/dt , TI recommends a $10\text{-}\mu\text{F}$ bypass cap between VDD and COM, VEE and COM. TI recommends a $1\text{-}\mu\text{F}$ bypass cap between VCC and GND due to less current comparing with output side power supplies. A $0.1\text{-}\mu\text{F}$ decoupling cap is also recommended for each power supply to filter out high frequency noise. The decoupling capacitors must be low ESR and ESL to avoid high frequency noise, and must be placed as close as possible to the VCC, VDD and VEE pins to prevent noise coupling from the system parasitics of PCB layout.

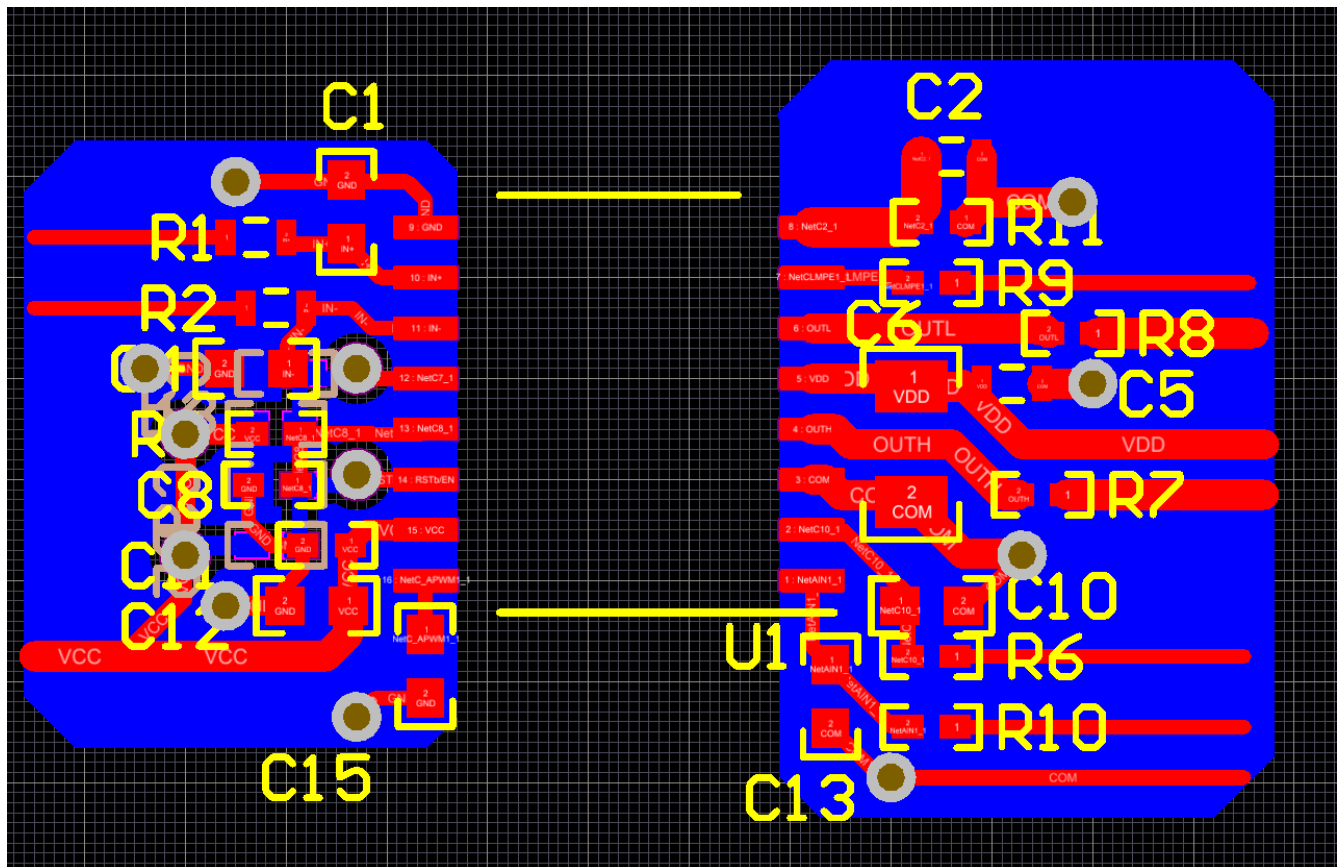
11 Layout

11.1 Layout Guidelines

Due to the strong drive strength of the UCC21750-Q1, careful considerations must be taken in PCB design. Below are some key points:

- The driver must be placed as close as possible to the power semiconductor to reduce the parasitic inductance of the gate loop on the PCB traces.
- The decoupling capacitors of the input and output power supplies must be placed as close as possible to the power supply pins. The peak current generated at each switching transient can cause high di/dt and voltage spike on the parasitic inductance of PCB traces.
- The driver COM pin must be connected to the Kelvin connection of SiC MOSFET source or IGBT emitter. If the power device does not have a split Kelvin source or emitter, the COM pin must be connected as close as possible to the source or emitter terminal of the power device package to separate the gate loop from the high power switching loop
- Use a ground plane on the input side to shield the input signals. The input signals can be distorted by the high frequency noise generated by the output side switching transients. The ground plane provides a low-inductance filter for the return current flow.
- If the gate driver is used for the low side switch which the COM pin connected to the dc bus negative, use the ground plane on the output side to shield the output signals from the noise generated by the switch node; if the gate driver is used for the high side switch, which the COM pin is connected to the switch node, ground plane is not recommended
- If ground plane is not used on the output side, separate the return path of the DESAT and AIN ground loop from the gate loop ground which has large peak source and sink current.
- No PCB trace or copper is allowed under the gate driver. TI recommends a PCB cutout to avoid any noise coupling between the input and output side which can contaminate the isolation barrier.

11.2 Layout Example



11-1. Layout Example

12 Device and Documentation Support

12.1 Device Support

12.1.1 サード・パーティ製品に関する免責事項

サード・パーティ製品またはサービスに関するテキサス・インスツルメンツの出版物は、単独またはテキサス・インスツルメンツの製品、サービスと一緒に提供される場合に関係なく、サード・パーティ製品またはサービスの適合性に関する是認、サード・パーティ製品またはサービスの是認の表明を意味するものではありません。

12.2 Documentation Support

12.2.1 Related Documentation

For related documentation see the following:

- [Isolation Glossary](#)

12.3 ドキュメントの更新通知を受け取る方法

ドキュメントの更新についての通知を受け取るには、www.tij.co.jp のデバイス製品フォルダを開いてください。[通知] をクリックして登録すると、変更されたすべての製品情報に関するダイジェストを毎週受け取ることができます。変更の詳細については、改訂されたドキュメントに含まれている改訂履歴をご覧ください。

12.4 サポート・リソース

テキサス・インスツルメンツ E2E™ サポート・フォーラムは、エンジニアが検証済みの回答と設計に関するヒントをエキスパートから迅速かつ直接得ることができる場所です。既存の回答を検索したり、独自の質問をしたりすることで、設計に必要な支援を迅速に得ることができます。

リンクされているコンテンツは、各寄稿者により「現状のまま」提供されるものです。これらはテキサス・インスツルメンツの仕様を構成するものではなく、必ずしもテキサス・インスツルメンツの見解を反映したものではありません。テキサス・インスツルメンツの[使用条件](#)を参照してください。

12.5 Trademarks

テキサス・インスツルメンツ E2E™ is a trademark of Texas Instruments.

すべての商標は、それぞれの所有者に帰属します。

12.6 静電気放電に関する注意事項



この IC は、ESD によって破損する可能性があります。テキサス・インスツルメンツは、IC を取り扱う際には常に適切な注意を払うことを推奨します。正しい取り扱いおよび設置手順に従わない場合、デバイスを破損するおそれがあります。

ESD による破損は、わずかな性能低下からデバイスの完全な故障まで多岐にわたります。精密な IC の場合、パラメータがわずかに変化するだけで公表されている仕様から外れる可能性があるため、破損が発生しやすくなっています。

12.7 用語集

[テキサス・インスツルメンツ用語集](#) この用語集には、用語や略語の一覧および定義が記載されています。

13 Mechanical, Packaging, and Orderable Information

The following pages include mechanical packaging and orderable information. This information is the most current data available for the designated devices. This data is subject to change without notice and revision of this document. For browser-based versions of this data sheet, refer to the left-hand navigation.

PACKAGING INFORMATION

| Orderable Device | Status (1) | Package Type | Package Drawing | Pins | Package Qty | Eco Plan (2) | Lead finish/ Ball material (6) | MSL Peak Temp (3) | Op Temp (°C) | Device Marking (4/5) | Samples |
|------------------|---------------|--------------|-----------------|------|-------------|-----------------|--------------------------------------|----------------------|--------------|-------------------------|---------|
| UCC21750QDWQ1 | OBSOLETE | SOIC | DW | 16 | | TBD | Call TI | Call TI | -40 to 125 | UCC21750Q | |
| UCC21750QDWRQ1 | ACTIVE | SOIC | DW | 16 | 2000 | RoHS & Green | NIPDAU | Level-3-260C-168 HR | -40 to 125 | UCC21750Q | Samples |

(1) The marketing status values are defined as follows:

ACTIVE: Product device recommended for new designs.

LIFEBUY: TI has announced that the device will be discontinued, and a lifetime-buy period is in effect.

NRND: Not recommended for new designs. Device is in production to support existing customers, but TI does not recommend using this part in a new design.

PREVIEW: Device has been announced but is not in production. Samples may or may not be available.

OBSOLETE: TI has discontinued the production of the device.

(2) **RoHS:** TI defines "RoHS" to mean semiconductor products that are compliant with the current EU RoHS requirements for all 10 RoHS substances, including the requirement that RoHS substance do not exceed 0.1% by weight in homogeneous materials. Where designed to be soldered at high temperatures, "RoHS" products are suitable for use in specified lead-free processes. TI may reference these types of products as "Pb-Free".

RoHS Exempt: TI defines "RoHS Exempt" to mean products that contain lead but are compliant with EU RoHS pursuant to a specific EU RoHS exemption.

Green: TI defines "Green" to mean the content of Chlorine (Cl) and Bromine (Br) based flame retardants meet JS709B low halogen requirements of <=1000ppm threshold. Antimony trioxide based flame retardants must also meet the <=1000ppm threshold requirement.

(3) MSL, Peak Temp. - The Moisture Sensitivity Level rating according to the JEDEC industry standard classifications, and peak solder temperature.

(4) There may be additional marking, which relates to the logo, the lot trace code information, or the environmental category on the device.

(5) Multiple Device Markings will be inside parentheses. Only one Device Marking contained in parentheses and separated by a "~" will appear on a device. If a line is indented then it is a continuation of the previous line and the two combined represent the entire Device Marking for that device.

(6) Lead finish/Ball material - Orderable Devices may have multiple material finish options. Finish options are separated by a vertical ruled line. Lead finish/Ball material values may wrap to two lines if the finish value exceeds the maximum column width.

Important Information and Disclaimer: The information provided on this page represents TI's knowledge and belief as of the date that it is provided. TI bases its knowledge and belief on information provided by third parties, and makes no representation or warranty as to the accuracy of such information. Efforts are underway to better integrate information from third parties. TI has taken and continues to take reasonable steps to provide representative and accurate information but may not have conducted destructive testing or chemical analysis on incoming materials and chemicals. TI and TI suppliers consider certain information to be proprietary, and thus CAS numbers and other limited information may not be available for release.

In no event shall TI's liability arising out of such information exceed the total purchase price of the TI part(s) at issue in this document sold by TI to Customer on an annual basis.

OTHER QUALIFIED VERSIONS OF UCC21750-Q1 :

- Catalog : [UCC21750](#)

NOTE: Qualified Version Definitions:

- Catalog - TI's standard catalog product

TAPE AND REEL INFORMATION

QUADRANT ASSIGNMENTS FOR PIN 1 ORIENTATION IN TAPE


*All dimensions are nominal

| Device | Package Type | Package Drawing | Pins | SPQ | Reel Diameter (mm) | Reel Width W1 (mm) | A0 (mm) | B0 (mm) | K0 (mm) | P1 (mm) | W (mm) | Pin1 Quadrant |
|----------------|--------------|-----------------|------|------|--------------------|--------------------|---------|---------|---------|---------|--------|---------------|
| UCC21750QDWRQ1 | SOIC | DW | 16 | 2000 | 330.0 | 16.4 | 10.75 | 10.7 | 2.7 | 12.0 | 16.0 | Q1 |

TAPE AND REEL BOX DIMENSIONS


*All dimensions are nominal

| Device | Package Type | Package Drawing | Pins | SPQ | Length (mm) | Width (mm) | Height (mm) |
|----------------|--------------|-----------------|------|------|-------------|------------|-------------|
| UCC21750QDWRQ1 | SOIC | DW | 16 | 2000 | 356.0 | 356.0 | 35.0 |

GENERIC PACKAGE VIEW

DW 16

SOIC - 2.65 mm max height

7.5 x 10.3, 1.27 mm pitch

SMALL OUTLINE INTEGRATED CIRCUIT

This image is a representation of the package family, actual package may vary.
Refer to the product data sheet for package details.



4224780/A



DW0016B

PACKAGE OUTLINE SOIC - 2.65 mm max height

SOIC



4221009/B 07/2016

NOTES:

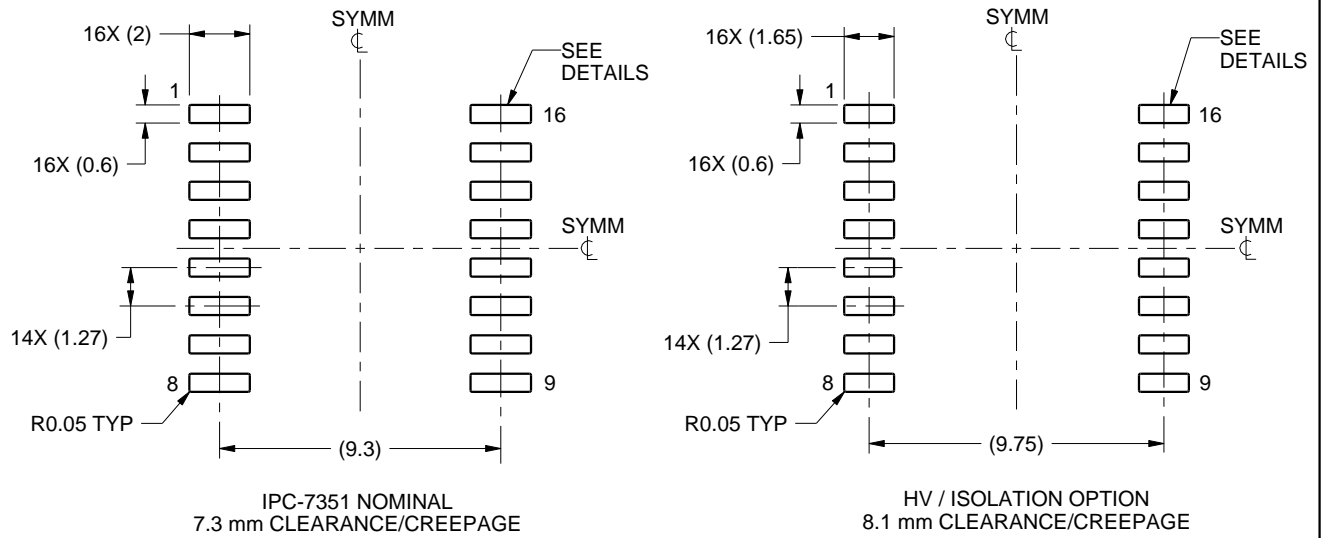
1. All linear dimensions are in millimeters. Dimensions in parenthesis are for reference only. Dimensioning and tolerancing per ASME Y14.5M.
2. This drawing is subject to change without notice.
3. This dimension does not include mold flash, protrusions, or gate burrs. Mold flash, protrusions, or gate burrs shall not exceed 0.15 mm, per side.
4. This dimension does not include interlead flash. Interlead flash shall not exceed 0.25 mm, per side.
5. Reference JEDEC registration MS-013.

EXAMPLE BOARD LAYOUT

DW0016B

SOIC - 2.65 mm max height

SOIC



LAND PATTERN EXAMPLE
SCALE:4X



SOLDER MASK DETAILS

4221009/B 07/2016

NOTES: (continued)

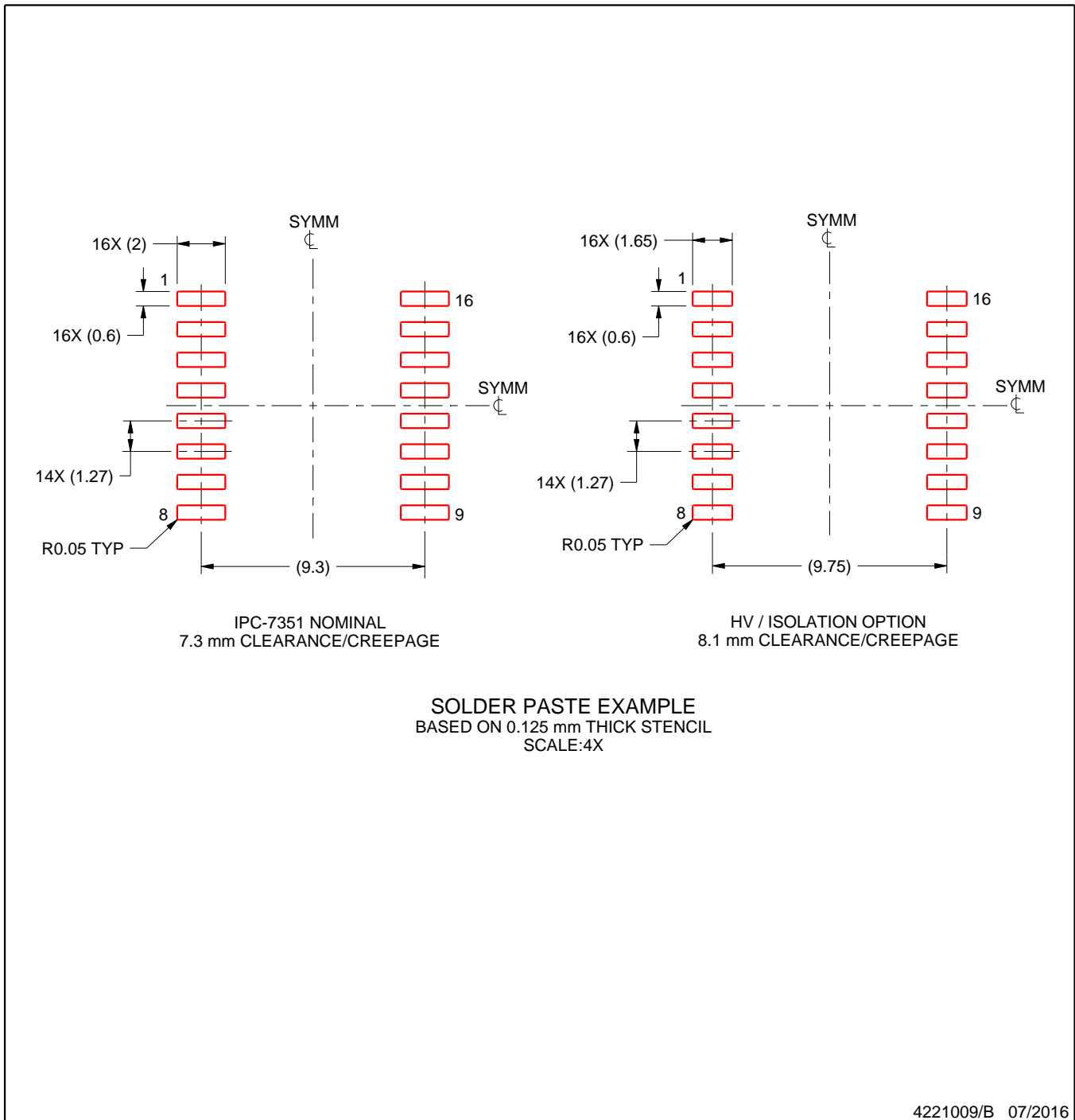
- 6. Publication IPC-7351 may have alternate designs.
- 7. Solder mask tolerances between and around signal pads can vary based on board fabrication site.

EXAMPLE STENCIL DESIGN

DW0016B

SOIC - 2.65 mm max height

SOIC



NOTES: (continued)

8. Laser cutting apertures with trapezoidal walls and rounded corners may offer better paste release. IPC-7525 may have alternate design recommendations.
9. Board assembly site may have different recommendations for stencil design.

重要なお知らせと免責事項

テキサス・インスツルメンツは、技術データと信頼性データ(データシートを含みます)、設計リソース(リファレンス デザインを含みます)、アプリケーションや設計に関する各種アドバイス、Web ツール、安全性情報、その他のリソースを、欠陥が存在する可能性のある「現状のまま」提供しており、商品性および特定目的に対する適合性の黙示保証、第三者の知的財産権の非侵害保証を含むいかなる保証も、明示的または黙示的にかかわらず拒否します。

これらのリソースは、テキサス・インスツルメンツ製品を使用する設計の経験を積んだ開発者への提供を意図したものです。(1) お客様のアプリケーションに適したテキサス・インスツルメンツ製品の選定、(2) お客様のアプリケーションの設計、検証、試験、(3) お客様のアプリケーションに該当する各種規格や、その他のあらゆる安全性、セキュリティ、規制、または他の要件への確実な適合に関する責任を、お客様のみが単独で負うものとし、ます。

上記の各種リソースは、予告なく変更される可能性があります。これらのリソースは、リソースで説明されているテキサス・インスツルメンツ製品を使用するアプリケーションの開発の目的でのみ、テキサス・インスツルメンツはその使用をお客様に許諾します。これらのリソースに関して、他の目的で複製することや掲載することは禁止されています。テキサス・インスツルメンツや第三者の知的財産権のライセンスが付与されている訳ではありません。お客様は、これらのリソースを自身で使用した結果発生するあらゆる申し立て、損害、費用、損失、責任について、テキサス・インスツルメンツおよびその代理人を完全に補償するものとし、テキサス・インスツルメンツは一切の責任を拒否します。

テキサス・インスツルメンツの製品は、[テキサス・インスツルメンツの販売条件](#)、または [ti.com](https://www.ti.com) やかかるテキサス・インスツルメンツ製品の関連資料などのいずれかを通じて提供する適用可能な条項の下で提供されています。テキサス・インスツルメンツがこれらのリソースを提供することは、適用されるテキサス・インスツルメンツの保証または他の保証の放棄の拡大や変更を意味するものではありません。

お客様がいかなる追加条項または代替条項を提案した場合でも、テキサス・インスツルメンツはそれらに異議を唱え、拒否します。

郵送先住所：Texas Instruments, Post Office Box 655303, Dallas, Texas 75265
Copyright © 2025, Texas Instruments Incorporated