

LMK61E0M EEPROM内蔵、超低ジッタのプログラマブル発振器

1 特長

- 超低ノイズ、高性能
 - ジッタ: 500fs RMS (標準値、LMK61E0M、 $f_{OUT} > 50\text{MHz}$)
- LMK61E0Mは200MHzまでの3.3V LVCMOS出力をサポート
- 合計周波数許容誤差: $\pm 25\text{ppm}$
- システム・レベルの特長
 - グリッチなしの周波数マージン処理: 公称値から最大 $\pm 1000\text{ppm}$
 - EEPROM内蔵: スタートアップ設定をユーザーが構成可能
- その他の特長
 - デバイス制御: 最大1000kHzのファースト・モード I²C
 - 動作電圧: 3.3V
 - 工業用温度範囲: (-40°C ~ +85°C)
 - 7mm×5mmの8ピン・パッケージ
- デフォルト周波数: 70.656MHz

2 アプリケーション

- 水晶振動子、SAW、またはシリコン・ベースの発振器に代わる高性能の代替品
- スイッチ、ルータ、ネットワーク・ライン・カード、ベースバンド・ユニット(BBU)、サーバ、ストレージ/SAN
- 試験/測定機器
- 医療用画像処理
- FPGA、プロセッサ接続
- xDSL、ビデオ放送

3 概要

LMK61E0ファミリの超低ジッタPLLatinum™プログラマブル発振器は、fractional-N周波数シンセサイザと内蔵VCOを使用して、一般的に使用されるリファレンス・クロックを生成します。LMK61E0Mは、3.3V LVCMOS出力をサポートしています。このデバイスは、オンチップのEEPROMにより自己スタートアップし、工場プログラムされたデフォルト出力周波数を生成します。また、デバイスのレジスタとEEPROM設定は、I²Cシリアル・インターフェイス経由でシステム内で完全にプログラム可能です。このデバイスは、I²Cシリアル・インターフェイスにより細かい/粗い周波数マージン処理を実行でき、デジタル制御の発振器(DCXO)となります。

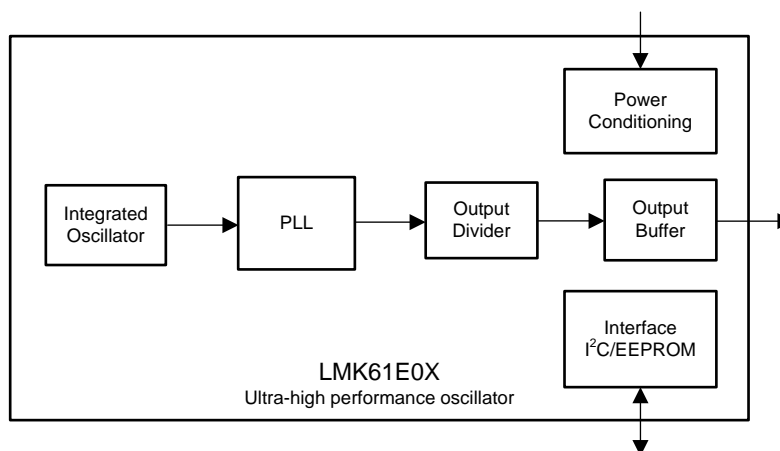
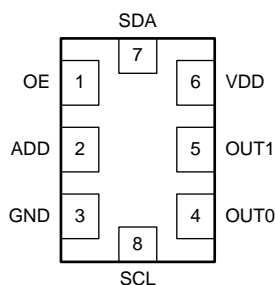
PLL帰還分周値の更新により、スパイクやグリッチなしに出力周波数を調整できます。xDSLの要件との互換のためには12.5MHzのPFD (R分周値 = 4、ダブラー無効)で1ppb未満の刻みで、放送ビデオの要件との互換のためには100MHzのPFD (R分周値 = 1、ダブラー有効)で5.2ppb未満の刻みで調整が可能です。また、周波数マージン処理機能により、標準への準拠やシステムのタイミング・マージン・テストなどのシステム設計検証テスト(DVT)が容易になります。

製品情報⁽¹⁾

型番	パッケージ	本体サイズ(公称)
LMK61E0M	QFM (8)	7.00mm×5.00mm

(1) 利用可能なすべてのパッケージについては、このデータシートの末尾にある注文情報を参照してください。

ピン配列と単純なブロック図



Copyright © 2016, Texas Instruments Incorporated



目次

1	特長	1	7.1	Device Output Configurations	8
2	アプリケーション	1	8	Detailed Description	9
3	概要	1	8.1	Overview	9
4	改訂履歴	2	8.2	Functional Block Diagram	9
5	Pin Configuration and Functions	3	8.3	Feature Description	9
6	Specifications	3	8.4	Device Functional Modes	13
6.1	Absolute Maximum Ratings	3	8.5	Programming	16
6.2	ESD Ratings	4	8.6	Register Maps	20
6.3	Recommended Operating Conditions	4	9	Application and Implementation	35
6.4	Thermal Information	4	9.1	Application Information	35
6.5	Electrical Characteristics - Power Supply	4	9.2	Typical Application	35
6.6	3.3-V LVC MOS Output Characteristics	4	10	Power Supply Recommendations	40
6.7	OE Input Characteristics	5	11	Layout	40
6.8	ADD Input Characteristics	5	11.1	Layout Guidelines	40
6.9	Frequency Tolerance Characteristics	5	11.2	Layout Example	41
6.10	Frequency Margining Characteristics	5	12	デバイスおよびドキュメントのサポート	42
6.11	Power-On/Reset Characteristics (VDD)	6	12.1	ドキュメントのサポート	42
6.12	I ² C-Compatible Interface Characteristics (SDA, SCL)	6	12.2	ドキュメントの更新通知を受け取る方法	42
6.13	Other Characteristics	6	12.3	コミュニティ・リソース	42
6.14	PLL Clock Output Jitter Characteristics	6	12.4	商標	42
6.15	Additional Reliability and Qualification	7	12.5	静電気放電に関する注意事項	42
6.16	Typical Characteristics	7	12.6	Glossary	42
7	Parameter Measurement Information	8	13	メカニカル、パッケージ、および注文情報	42

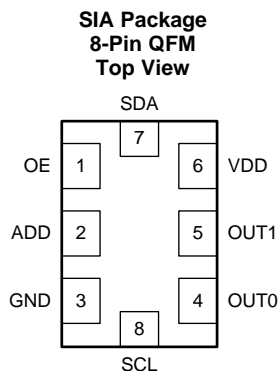
4 改訂履歴

2017年1月発行のものから更新

Page

•	最新のドキュメントおよび翻訳標準に合わせてデータシートのテキストを更新	1
•	Corrected recommended junction temperature	4
•	Corrected junction temperature	5
•	Updated register names	20
•	Typical application schematic added	35

5 Pin Configuration and Functions



Pin Functions

PIN		I/O	DESCRIPTION
NAME	NO.		
POWER			
GND	3	Ground	Device Ground.
VDD	6	Power	3.3-V Power Supply.
OUTPUT BLOCK			
OUT0, OUT1	4, 5	Output	3.3-V LVCMOS Output Pair (Outputs can be individually set to same polarity, opposite polarity, or tri-state) in LMK61E0M. By default, OUT0 is enabled and OUT1 is disabled and set at high impedance on power-up.
DIGITAL CONTROL / INTERFACES			
ADD	2	LVCMOS	When left open, LSB of I ² C slave address is set to 01. When tied to VDD, LSB of I ² C slave address is set to 11. When tied to GND, LSB of I ² C slave address is set to 00.
OE	1	LVCMOS	Output Enable (internal pullup). In LMK61E0M, when set to low, output on OUT0 is disabled and set at high impedance.
SCL	8	LVCMOS	I ² C Serial Clock (open-drain). Requires an external pullup resistor to VDD.
SDA	7	LVCMOS	I ² C Serial Data (bi-directional, open-drain). Requires an external pullup resistor to VDD.

6 Specifications

6.1 Absolute Maximum Ratings

over operating free-air temperature range (unless otherwise noted)⁽¹⁾

		MIN	MAX	UNIT
VDD	Device supply voltage	-0.3	3.6	V
V _{IN}	Input voltage range for logic inputs	-0.3	VDD + 0.3	V
V _{OUT}	Output voltage range for clock outputs	-0.3	VDD + 0.3	V
T _J	Junction temperature		150	°C
T _{STG}	Storage temperature	-40	125	°C

- (1) Stresses beyond those listed under *Absolute Maximum Ratings* may cause permanent damage to the device. These are stress ratings only, which do not imply functional operation of the device at these or any other conditions beyond those indicated under *Recommended Operating Conditions*. Exposure to absolute maximum-rated conditions for extended periods may affect device reliability.

6.2 ESD Ratings

		VALUE	UNIT
V _(ESD)	Electrostatic discharge	Human-body model (HBM), per ANSI/ESDA/JEDEC JS-001 ⁽¹⁾	V
		Charged-device model (CDM), per JEDEC specification JESD22-C101 ⁽²⁾	
		±2000	
		±500	

(1) JEDEC document JEP155 states that 500 V HBM allows safe manufacturing with a standard ESD control process.

(2) JEDEC document JEP157 states that 250 V CDM allows safe manufacturing with a standard ESD control process.

6.3 Recommended Operating Conditions

over operating free-air temperature range (unless otherwise noted)

		MIN	NOM	MAX	UNIT
VDD	Device supply voltage	3.135	3.3	3.465	V
T _A	Ambient temperature	−40	25	85	°C
T _J	Junction temperature			115	°C
t _{RAMP}	VDD power-up ramp time	0.1		100	ms

6.4 Thermal Information

THERMAL METRIC ⁽¹⁾	LMK61E0 ^{(2) (3) (4)}			UNIT	
	SIA (QFM)				
	8 PINS				
	Airflow (LFM) 0	Airflow (LFM) 200	Airflow (LFM) 400		
R _{θJA}	Junction-to-ambient thermal resistance	54	44	41.2	°C/W
R _{θJC(top)}	Junction-to-case (top) thermal resistance	34	n/a	n/a	°C/W
R _{θJB}	Junction-to-board thermal resistance	36.7	n/a	n/a	°C/W
ψ _{JT}	Junction-to-top characterization parameter	11.2	16.9	21.9	°C/W
ψ _{JB}	Junction-to-board characterization parameter	36.7	37.8	38.9	°C/W
R _{θJC(bot)}	Junction-to-case (bottom) thermal resistance	n/a	n/a	n/a	°C/W

(1) For more information about traditional and new thermal metrics, see the [Semiconductor and IC Package Thermal Metrics](#) application report.

(2) The package thermal resistance is calculated on a 4-layer JEDEC board.

(3) Connected to GND with 3 thermal vias (0.3-mm diameter).

(4) ψ_{JB} (junction-to-board) is used when the main heat flow is from the junction to the GND pad. See [Layout Guidelines](#) for more information on ensuring good system reliability and quality.

6.5 Electrical Characteristics - Power Supply⁽¹⁾

VDD = 3.3 V ± 5%, T_A = −40°C to 85°C

PARAMETER	TEST CONDITIONS	MIN	TYP	MAX	UNIT
IDD	Device current consumption LVCMOS		140	180	mA
IDD-PD	Device current consumption when output is disabled OE = GND		120		mA

(1) Refer to Parameter Measurement Information for relevant test conditions.

6.6 3.3-V LVCMOS Output Characteristics⁽¹⁾

VDD = 3.3 V ± 5%, T_A = −40°C to 85°C, outputs loaded with 2 pF to GND

PARAMETER	TEST CONDITIONS	MIN	TYP	MAX	UNIT
f _{OUT}	Output frequency Fast mode, R22[7:6] = 0x0	50		200	MHz
V _{OH}	Output high voltage I _{OH} = 1 mA	2.5			V
V _{OL}	Output low voltage I _{OL} = 1 mA			0.6	V
I _{OH}	Output high current		−33		mA
I _{OL}	Output low current		33		mA

(1) Refer to [Parameter Measurement Information](#) for relevant test conditions.

3.3-V LVCMOS Output Characteristics⁽¹⁾ (continued)

VDD = 3.3 V ± 5%, T_A = –40°C to 85°C, outputs loaded with 2 pF to GND

PARAMETER	TEST CONDITIONS	MIN	TYP	MAX	UNIT
t _R /t _F ⁽²⁾	Output rise/fall time	20% to 80%, R22[7:6] = 0x2		1.1	ns
		20% to 80%, R22[7:6] = 0x0		0.2	ns
PN-Floor	Output phase noise floor (f _{OFFSET} > 10 MHz)	70.656 MHz		–150	dBc/Hz
ODC ⁽²⁾	Output duty cycle	Fast mode, R22[7:6] = 0x0		45%	55%
R _{OUT}	Output impedance			50	Ω

(2) Ensured by characterization.

6.7 OE Input Characteristics

VDD = 3.3 V ± 5%, T_A = –40°C to 85°C

PARAMETER	TEST CONDITIONS	MIN	TYP	MAX	UNIT
V _{IH}	Input high voltage	1.4			V
V _{IL}	Input low voltage			0.6	V
I _{IH}	Input high current	V _{IH} = VDD		–40	40
I _{IL}	Input low current	V _{IL} = GND		–40	40
C _{IN}	Input capacitance			2	pF

6.8 ADD Input Characteristics

VDD = 3.3 V ± 5%, T_A = –40°C to 85°C

PARAMETER	TEST CONDITIONS	MIN	TYP	MAX	UNIT
V _{IH}	Input high voltage	1.4			V
V _{IL}	Input low voltage			0.4	V
I _{IH}	Input high current	V _{IH} = VDD		–40	40
I _{IL}	Input low current	V _{IL} = GND		–40	40
C _{IN}	Input capacitance			2	pF

6.9 Frequency Tolerance Characteristics⁽¹⁾

VDD = 3.3 V ± 5%, T_A = –40°C to 85°C

PARAMETER	TEST CONDITIONS	MIN	TYP	MAX	UNIT
f _T	Total frequency tolerance	All frequency bands and device junction temperature up to 115°C; includes initial freq tolerance, temperature & supply voltage variation, solder reflow, and 5 year aging at 40°C ambient temperature		–25	25
					ppm

(1) Ensured by characterization.

6.10 Frequency Margining Characteristics

VDD = 3.3 V ± 5%, T_A = –40°C to 85°C

PARAMETER	TEST CONDITIONS	MIN	TYP	MAX	UNIT
f _T	Frequency margining range from nominal	–1000		1000	ppm

6.11 Power-On/Reset Characteristics (VDD)

 VDD = 3.3 V ± 5%, T_A = –40°C to 85°C

PARAMETER	TEST CONDITIONS	MIN	TYP	MAX	UNIT
V _{THRESH}	Threshold voltage ⁽¹⁾	2.72		2.95	V
V _{DROOP}	Allowable voltage droop ⁽²⁾			0.1	V
t _{STARTUP}	Start-up time ⁽¹⁾	Time elapsed from VDD at 3.135 V to output enabled		10	ms
t _{OE-EN}	Output enable time ⁽²⁾	Time elapsed from OE at V _{IH} to output enabled		50	μs
t _{OE-DIS}	Output disable time ⁽²⁾	Time elapsed from OE at V _{IL} to output disabled		50	μs

(1) Ensured by characterization.

(2) Ensured by design.

6.12 I²C-Compatible Interface Characteristics (SDA, SCL)⁽¹⁾⁽²⁾

 VDD = 3.3 V ± 5%, T_A = –40°C to 85°C

PARAMETER	TEST CONDITIONS	MIN	TYP	MAX	UNIT
V _{IH}	Input high voltage	1.2			V
V _{IL}	Input low voltage			0.6	V
I _{IH}	Input leakage	–40		40	μA
C _{IN}	Input capacitance		2		pF
C _{OUT}	Input capacitance			400	pF
V _{OL}	Output low voltage	I _{OL} = 3 mA		0.6	V
f _{SCL}	I ² C clock rate	100		1000	kHz
t _{SU_STA}	START condition setup time	SCL high before SDA low			μs
t _{H_STA}	START condition hold time	SCL low after SDA low			μs
t _{PH_SCL}	SCL pulse width high	0.6			μs
t _{PL_SCL}	SCL pulse width low	1.3			μs
t _{H_SDA}	SDA hold time	SDA valid after SCL low		0.9	μs
t _{SU_SDA}	SDA setup time	115			ns
t _{R_IN} / t _{F_IN}	SCL/SDA input rise and fall time			300	ns
t _{F_OUT}	SDA output fall time	C _{BUS} = 10 pF to 400 pF		250	ns
t _{SU_STOP}	STOP condition setup time	0.6			μs
t _{BUS}	Bus free time between STOP and START	1.3			μs

(1) Total capacitive load for each bus line ≤ 400 pF.

(2) Ensured by design.

6.13 Other Characteristics

 VDD = 3.3 V ± 5%, T_A = –40°C to 85°C

PARAMETER	TEST CONDITIONS	MIN	TYP	MAX	UNIT
f _{VCO}	VCO frequency range	4.6		5.6	GHz

6.14 PLL Clock Output Jitter Characteristics⁽¹⁾⁽²⁾

 VDD = 3.3 V ± 5%, T_A = –40°C to 85°C

PARAMETER	TEST CONDITIONS	MIN	TYP	MAX	UNIT	
RJ	RMS phase jitter ⁽³⁾ (12 kHz – 20 MHz)	f _{OUT} ≥ 50 MHz, Fractional-N PLL, LVCMOS output		500	1000	fs RMS

(1) Refer to Parameter Measurement Information for relevant test conditions.

(2) Phase jitter measured with Agilent E5052 signal source analyzer.

(3) Ensured by characterization.

6.15 Additional Reliability and Qualification

PARAMETER	CONDITION / TEST METHOD
Mechanical Shock	MIL-STD-202, Method 213
Mechanical Vibration	MIL-STD-202, Method 204
Moisture Sensitivity Level	J-STD-020, MSL3

6.16 Typical Characteristics

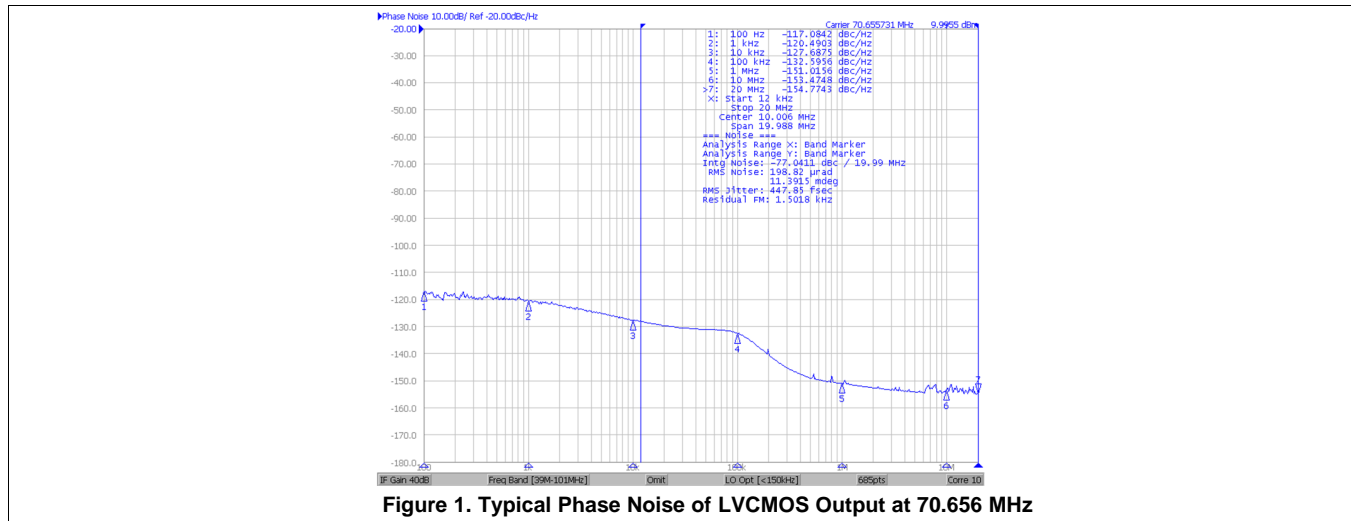
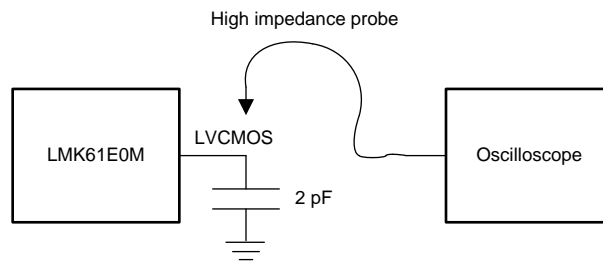


Figure 1. Typical Phase Noise of LVC MOS Output at 70.656 MHz

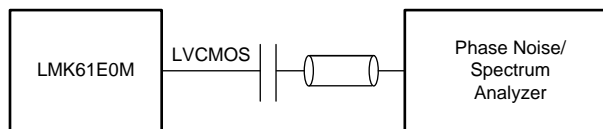
7 Parameter Measurement Information

7.1 Device Output Configurations



Copyright © 2017, Texas Instruments Incorporated

Figure 2. LVC MOS Output DC Configuration During Device Test



Copyright © 2017, Texas Instruments Incorporated

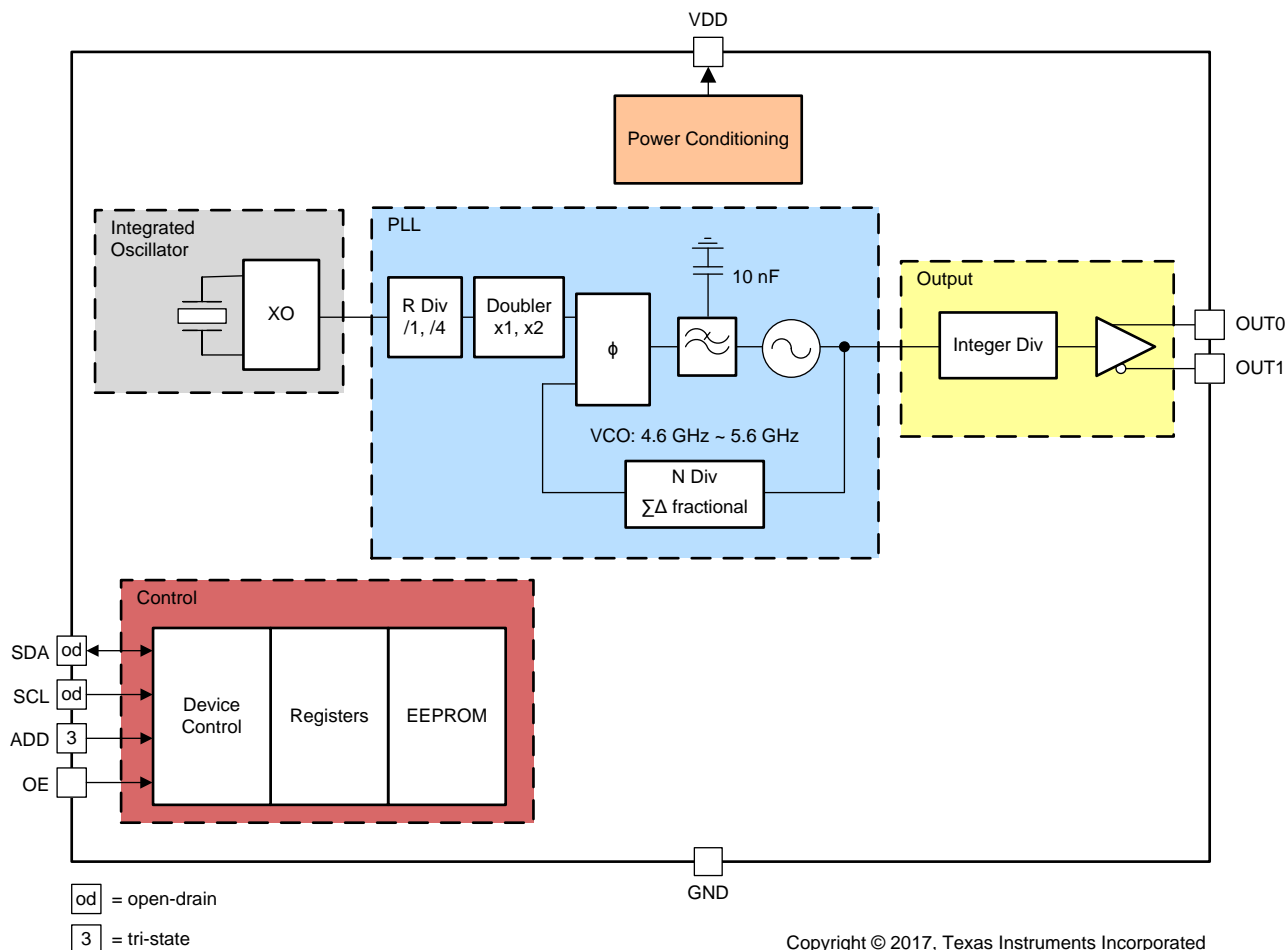
Figure 3. LVC MOS Output AC Configuration During Device Test

8 Detailed Description

8.1 Overview

The LMK61E0 is a programmable oscillator family that generates commonly used reference clocks. LMK61E0M supports 3.3-V LVCMOS outputs with less than 1000-fs RMS max jitter in integer PLL and fractional PLL modes.

8.2 Functional Block Diagram



NOTE

Control blocks are compatible with 1.8-V, 2.5-V, and 3.3-V I/O voltage levels.

8.3 Feature Description

8.3.1 Device Block-Level Description

The LMK61E0 is an integrated oscillator that includes a 50-MHz crystal and a fractional PLL with integrated VCO that supports a frequency range of 4.6 GHz to 5.6 GHz. The PLL block consists of a phase frequency detector (PFD), charge pump, integrated passive loop filter, a feedback divider that can support both integer and fractional values and a delta-sigma engine for noise suppression in fractional PLL mode. Completing the device is the combination of an integer output divider and an LVCMOS output buffer. The PLL is powered by on-chip low dropout (LDO) linear voltage regulators and the regulated supply network is partitioned such that the sensitive analog supplies are running from separate LDOs than the digital supplies which use their own LDO. The LDOs provide isolation to the PLL from any noise in the external power supply rail. The device supports fine and coarse frequency margining by changing the settings of the integrated oscillator and the output divider respectively.

Feature Description (continued)

8.3.2 Device Configuration Control

The LMK61E0 supports I²C programming interface where an I²C host can update any device configuration after the device enables the host interface and the host writes a sequence that updates the device registers. Once the device configuration is set, the host can also write to the on-chip EEPROM for a new set of power-up defaults based on the configuration pin settings in the soft pin configuration mode.

8.3.3 Register File Reference Convention

Figure 4 shows the method that this document employs to refer to an individual register bit or a grouping of register bits. If a drawing or text references an individual bit the format is to specify the register number first and the bit number second. The LMK61E0 contains 38 registers that are 8 bits wide. The register addresses and the bit positions both begin with the number zero (0). The bit address is placed in brackets or after a period. The first bit in the register file is address R0[0] or R0.0 meaning that it is located in Register 0 and is bit position 0. The last bit in the register file is address R72[7] or R72.7 referring to the 8th bit of register address 72 (the 73rd register in the device). Figure 4 also lists specific bit positions as a number contained within a box. A box with the register address encloses the group of boxes that represent the bits relevant to the specific device circuitry in context.

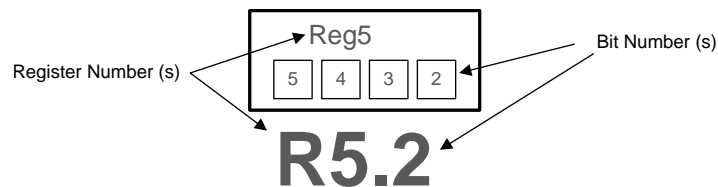


Figure 4. LMK61E0 Register Reference Format

8.3.4 Configuring the PLL

The PLL in LMK61E0 can be configured to accommodate various output frequencies either through I²C programming interface or, in the absence of programming the PLL defaults stored in EEPROM are loaded on power up. The PLL can be configured by setting the Reference Doubler, Integrated PLL Loop Filter, Feedback Divider, and Output Divider. The corresponding register addresses and configurations are detailed in the description section of each block below.

For the PLL to operate in closed-loop mode, the following condition in Equation 1 has to be met.

$$F_{VCO} = F_{REF} \times (D/R) \times [(INT + NUM/DEN)]$$

where

- F_{VCO} : PLL/VCO Frequency (4.6 GHz to 5.6 GHz)
- F_{REF} : 50-MHz reference input
- D: Reference input doubler, 1=Disabled, 2=Enabled
- R: Reference input divider, 1=Divider bypass, 4=Divide-by-4
- INT: PLL feedback divider integer value (12 bits, 1 to 4095)
- NUM: PLL feedback divider fractional numerator value (22 bits, 0 to 4194303)
- DEN: PLL feedback divider fractional denominator value (22 bits, 1 to 4194303)

On LMK61E0M, the output frequency is related to the VCO frequency as given in Equation 2.

$$F_{OUT} = F_{VCO} / (P \times OUTDIV)$$

where

- P: VCO post-divider value, selectable between 4 or 5
- OUTDIV: Output divider value (9 bits, 6 to 256)

The output frequency step size for every bit change in the numerator of the PLL fractional feedback divider is given in Equation 3.

$$STEPSIZE = (F_{REF} \times D) / (R \times P \times OUTDIV \times DEN)$$

Feature Description (continued)

8.3.5 Integrated Oscillator

The integrated oscillator in LMK61E0 features programmable load capacitances that can be set for the device to either operate at exactly its nominal oscillation frequency or operate at a fixed frequency offset from its nominal oscillation frequency. This is done by programming R16 and R17. More details on frequency margining are provided in [Fine Frequency Margining](#).

8.3.6 Reference Divider and Doubler

The reference path has a divider and frequency doubler. The reference divider can be bypassed by programming R24[0] = 0 or can be set to divide-by-4 by programming R24[0] = 1. Enabling the divider results in a lower comparison frequency for the PLL and would result in a 6-dB increase in the in-band phase noise at the output of the LMK61E0 but would result in a finer frequency resolution at the output for every bit change in the numerator of fractional feedback divider. The reference doubler can be enabled by programming R34[5] = 1. Bypassing the divider allows for a higher comparison rate and improved in-band phase noise at the output of the LMK61E0. Enabling the doubler allows a higher comparison frequency for the PLL and would result in a 3-dB reduction in the in-band phase noise at the output of the LMK61E0. Enabling the doubler also results in higher reference and phase detector spurs which will be minimized by enabling the higher order components (R3, C3) of the loop filter and programming them to appropriate values. Disabling the doubler would result in a finer frequency resolution at the output for every bit change in the numerator of the fractional feedback divider and higher in-band phase noise on the device output than when the doubler is enabled. However, the reference and phase detector spurs would be lower on the device output than when the doubler is enabled.

8.3.7 Phase Frequency Detector

The Phase Frequency Detector (PFD) of the PLL takes inputs from the reference path and the feedback divider output and produces an output that is dependent on the phase and frequency difference between the two inputs. The input frequency of the PFD is equal to the 50-MHz reference frequency doubled if the reference doubler is enabled and then divided by 4 if the reference divider is enabled. The feedback frequency to the PFD must equal the reference path frequency to the PFD for the PLL to lock.

8.3.8 Feedback Divider (N)

The N divider of the PLL includes fractional compensation and can achieve any fractional denominator (DEN) from 1 to 4,194,303. The integer portion, INT (valid range 1-4095), is the whole part of the N divider value and the fractional portion, NUM / DEN, is the remaining fraction. INT, NUM, and DEN are programmed in R25/R26, R27/R28/R29, and R30/R31/R32, respectively. The total programmed N divider value, N, is determined by: $N = INT + NUM / DEN$. The output of the N divider sets the PFD frequency to the PLL. The feedback frequency to the PFD must equal the reference path frequency to the PFD for the PLL to lock. In DCXO mode, the NUM registers can be reprogrammed MSB first and LSB last to update the output frequency without glitches or spikes.

8.3.9 Fractional Engine

The delta signal modulator is a key component of the fractional engine and is involved in noise shaping for better phase noise and spurs in the band of interest. The order of the delta sigma modulator is selectable between integer mode and third order for fractional PLL mode, and it can be programmed in R33[1:0]. Dithering can be programmed in R33[3:2] and should be disabled for integer PLL mode and set to weak for fractional PLL mode.

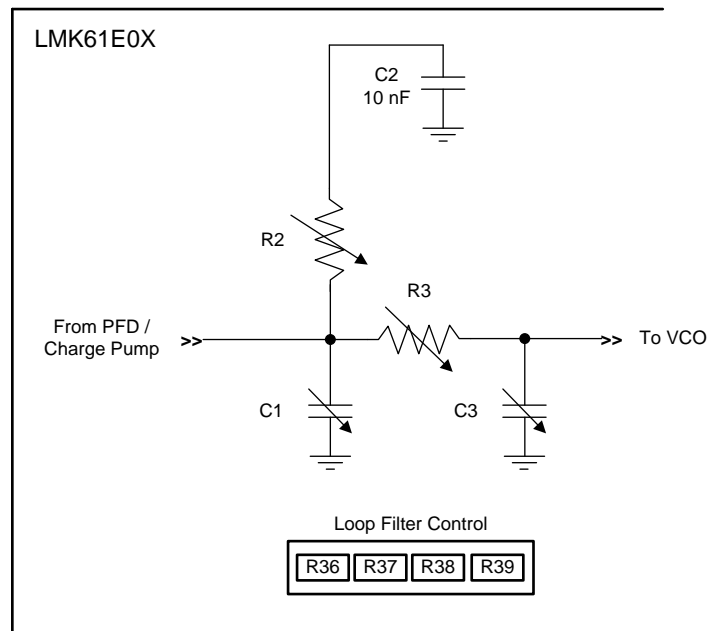
8.3.10 Charge Pump

The PLL has charge pump slices of 1.6 mA, to be used when PLL is set to fractional mode, or 6.4 mA, to be used when PLL is set to integer mode. These slices can be selected by programming R34[3:0]. When PLL is set to fractional mode, a phase shift needs to be introduced to maintain a linear response and ensure consistent performance across operating conditions and a value of 0x2 should be programmed in R35[6:4]. When PLL is set to integer mode, a value of 0x0 should be programmed in R35[6:4].

Feature Description (continued)

8.3.11 Loop Filter

The LMK61E0 features a fully integrated loop filter for the PLL and supports programmable loop bandwidth from 100 kHz to 1 MHz. The loop filter components, R2, C1, R3, C3, can be configured by programming R36, R37, R38 and R39 respectively. The LMK61E0 features a fixed value of C2 of 10 nF. When PLL is configured in the fractional mode, R35[2] should be set to 1. When reference doubler is disabled for integer mode PLL, R35[2] should be set to 0 and R38[6:0] should be set to 0x00. When reference doubler is enabled for integer mode PLL, R35[2] should be set to 1 and R38 and R39 are written with the appropriate values. Figure 5 shows the loop filter structure of the PLL. It is important to set the PLL to best possible bandwidth to minimize output jitter.



Copyright © 2016, Texas Instruments Incorporated

Figure 5. Loop Filter Structure of PLL

8.3.12 VCO Calibration

The PLL in LMK61E0 is made of LC VCO that is designed using high-Q monolithic inductors to oscillate between 4.6 GHz and 5.6 GHz and has low phase noise characteristics. The VCO must be calibrated to ensure that the clock outputs deliver optimal phase noise performance. Fundamentally, a VCO calibration establishes an optimal operating point within the tuning range of the VCO. Setting R72[1] to 1 causes a VCO recalibration and is necessary after device reconfiguration. VCO calibration automatically occurs on device power up.

8.3.13 High-Speed Output Divider

LMK61E0M has two integer dividers in series in the output signal path. The VCO post-divider divides the VCO frequency by 4 or 5 and is programmed in R22[5]. The following high-speed output divider supports divide values of 6 to 256 and is programmed in R22 and R23. The output divider also supports coarse frequency margining that can initiate as low as a 5% change in the output frequency. To change the output divider, R23 needs to be programmed first and then R22. This is necessary for the CMOS divider to load the correct divide value.

8.3.14 High-Speed Clock Output

The clock outputs on LMK61E0M support 3.3-V LVCMOS levels. Both pins can be individually set to be the same polarity or opposite polarity of the other, or can be set to high impedance or tri-state. By default, OUT0 is enabled and OUT1 is tristate. OUT0 is controlled by R20[2] and OUT1 is controlled by R24[4]. The slew rate of the LVCMOS output can be set to fast or slow by programming R22[7:6] = 0x0 or 0x2.

Feature Description (continued)

8.3.15 Device Status

The PLL loss of lock and PLL calibration status can be monitored by reading R66[1:0]. These bits represent a logic-high interrupt output and are self-cleared once the readback is complete.

8.3.15.1 Loss of Lock

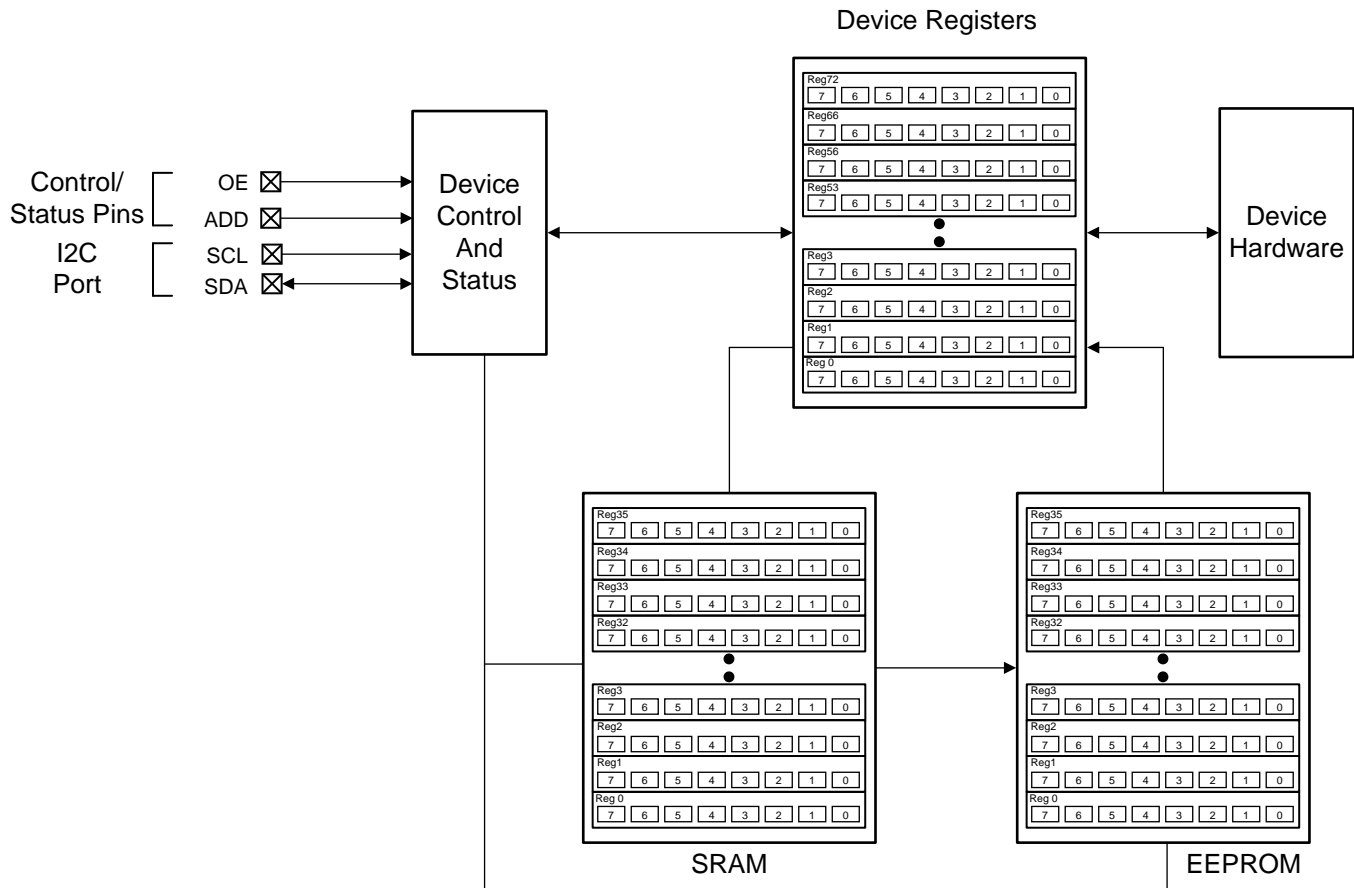
The PLL loss of lock detection circuit is a digital circuit that detects any frequency error, even a single cycle slip. Loss of lock may occur when an incorrect PLL configuration is programmed or the VCO has not been recalibrated.

8.4 Device Functional Modes

8.4.1 Interface and Control

The host (DSP, Microcontroller, FPGA, etc) configures and monitors the LMK61E0 through the I²C port. The host reads and writes to a collection of control and status bits called the register map. The device blocks can be controlled and monitored through a specific grouping of bits located within the register file. The host controls and monitors certain device Wide critical parameters directly through register control and status bits. In the absence of the host, the LMK61E0 can be configured to operate from its on-chip EEPROM. The EEPROM array is automatically copied to the device registers upon power up. The user has the flexibility to rewrite the contents of EEPROM from the SRAM up to 100 times.

Within the device registers, there are certain bits that have read or write access. Other bits are read-only (an attempt to write to a read-only bit will not change the state of the bit). Certain device registers and bits are reserved meaning that they must not be changed from their default reset state. [Figure 6](#) shows interface and control blocks within LMK61E0 and the arrows refer to read access from and write access to the different embedded memories (EEPROM, SRAM).

Device Functional Modes (continued)

Figure 6. LMK61E0 Interface and Control Block
8.4.2 DCXO Mode and Frequency Margining
8.4.2.1 DCXO Mode

In applications that require the LMK61E0 as part of a PLL that is implemented in another device like an FPGA, it can be used as a digitally controlled oscillator (DCXO) where the frequency control word can be passed along through I²C to the LMK61E0 on a regular basis which in turn updates the numerator of its fractional feedback divider by the required amount. In such a scenario, the entire portion of numerator for the fractional feedback divider must be written on every attempt MSB first and LSB last to ensure that the output frequency does not jump during the update, as described in [Feedback Divider \(N\)](#). In every update cycle, a total of 46 bits needs to be updated leading to a maximum update rate of 8.7 kHz with a maximum I²C rate of 1 Mbps. The minimum step size of 0.55 ppb (parts per billion) is achieved for the maximum VCO frequency of 5.6 GHz and when reference input doubler is disabled and reference divider is set to 4. The minimum step size of 4.96 ppb (parts per billion) is achieved for the maximum VCO frequency of 4.8 GHz and when reference input doubler is enabled and reference divider is bypassed.

Device Functional Modes (continued)

8.4.2.2 Fine Frequency Margining

IEEE802.3 dictates that Ethernet frames stay compliant to the standard specifications when clocked with a reference clock that is within ± 100 ppm of its nominal frequency. In the worst case, an RX node with its local reference clock at -100 ppm from its nominal frequency should be able to work seamlessly with a TX node that has its own local reference clock at $+100$ ppm from its nominal frequency. Without any clock compensation on the RX node, the read pointer will severely lag behind the write pointer and cause FIFO overflow errors. On the contrary, when the RX node's local clock operates at $+100$ ppm from its nominal frequency and the TX node's local clock operates at -100 ppm from its nominal frequency, FIFO underflow errors occur without any clock compensation.

To prevent such overflow and underflow errors from occurring, modern ASICs and FPGAs include a clock compensation scheme that introduces elastic buffers. Such a system, shown in Figure 7, is validated thoroughly during the validation phase by interfacing slower nodes with faster ones and ensuring compliance to IEEE802.3. The LMK61E0 provides the ability to fine tune the frequency of its outputs based on changing its load capacitance for the integrated oscillator. This fine tuning can be done through I²C as described in [Integrated Oscillator](#). The change in load capacitance is implemented in a manner such that the output of LMK61E0 undergoes a smooth monotonic change in frequency.

8.4.2.3 Coarse Frequency Margining

Certain systems require the processors to be tested at clock frequencies that are slower or faster by 5% or 10%. The LMK61E0 offers the ability to change its output divider for the desired change from its nominal output frequency as explained in [High-Speed Output Divider](#).

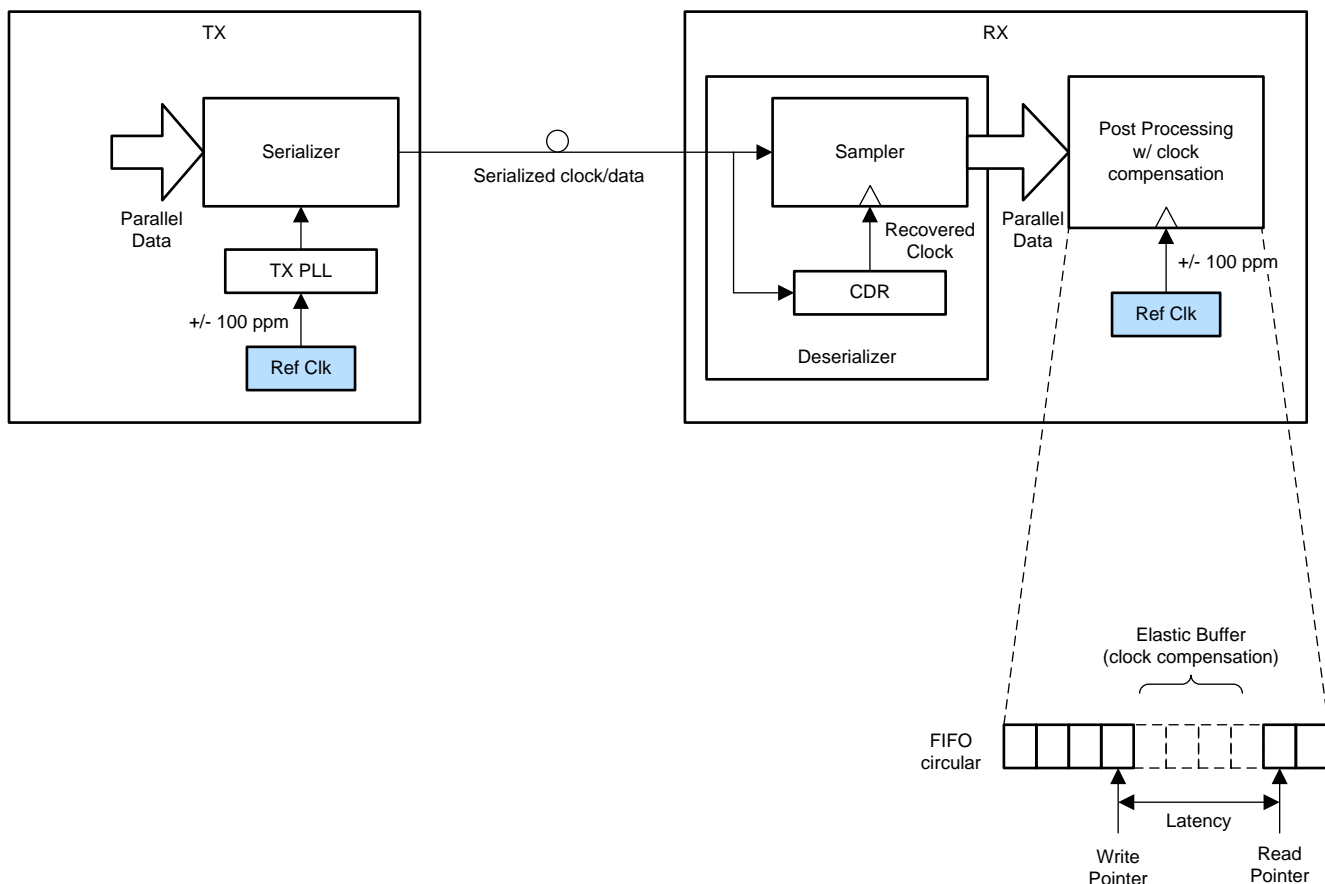


Figure 7. System Implementation With Clock Compensation for Standards Compliance

8.5 Programming

8.5.1 I²C Serial Interface

The I²C port on the LMK61E0 works as a slave device and supports both the 100-kHz standard mode and 1-MHz fast mode operations. Fast mode imposes a glitch tolerance requirement on the control signals. Therefore, the input receivers ignore pulses of less than 50-ns duration. The I²C timing is given in [I²C-Compatible Interface Characteristics \(SDA, SCL\)](#)⁽¹⁾⁽²⁾. The timing diagram is given in [Figure 8](#).

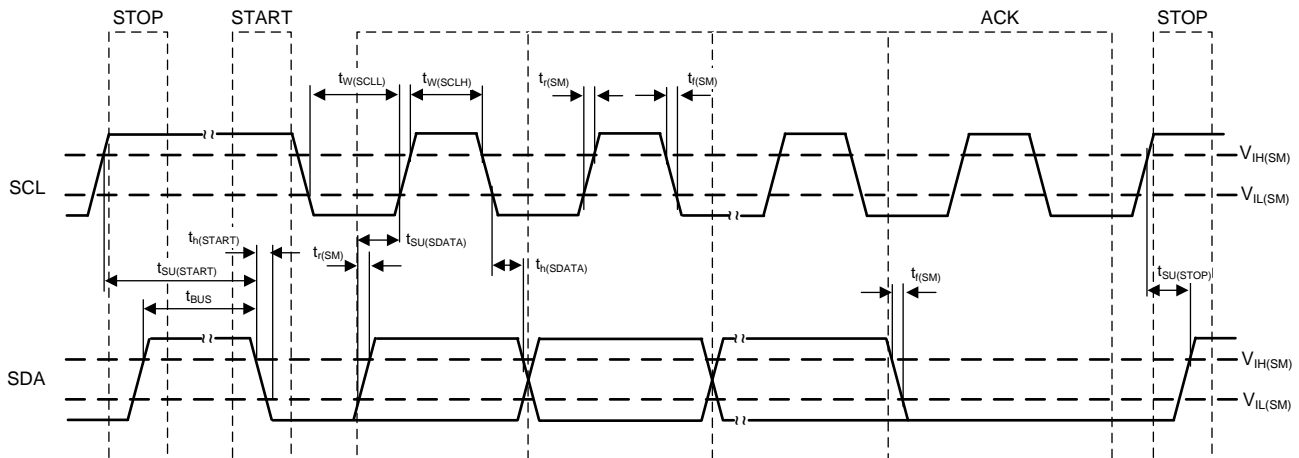


Figure 8. I²C Timing Diagram

In an I²C bus system, the LMK61E0 acts as a slave device and is connected to the serial bus (data bus SDA and lock bus SCL). These are accessed via a 7-bit slave address transmitted as part of an I²C packet. Only the device with a matching slave address responds to subsequent I²C commands. In soft pin mode, the LMK61E0 allows up to three unique slave devices to occupy the I²C bus based on the pin strapping of ADD (tied to VDD, GND or left open). The device slave address is 10110xx (the two LSBs are determined by the ADD pin).

During the data transfer through the I²C interface, one clock pulse is generated for each data bit transferred. The data on the SDA line must be stable during the high period of the clock. The high or low state of the data line can change only when the clock signal on the SCL line is low. The start data transfer condition is characterized by a high-to-low transition on the SDA line while SCL is high. The stop data transfer condition is characterized by a low-to-high transition on the SDA line while SCL is high. The start and stop conditions are always initiated by the master. Every byte on the SDA line must be eight bits long. Each byte must be followed by an acknowledge bit and bytes are sent MSB first. The I²C register structure of the LMK61E0 is shown in [Figure 9](#).

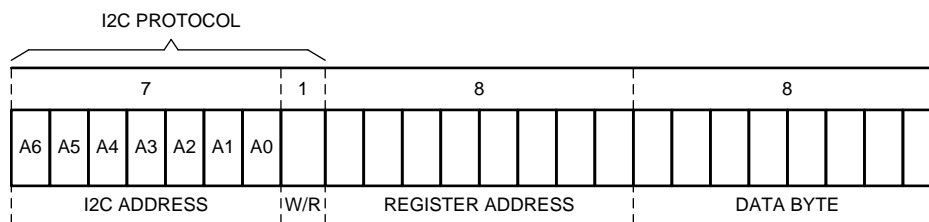


Figure 9. I²C Register Structure

The acknowledge bit (A) or non-acknowledge bit (A') is the 9th bit attached to any 8-bit data byte and is always generated by the receiver to inform the transmitter that the byte has been received (when A = 0) or not (when A' = 0). A = 0 is done by pulling the SDA line low during the 9th clock pulse and A' = 0 is done by leaving the SDA line high during the 9th clock pulse.

(1) Total capacitive load for each bus line ≤ 400 pF.

(2) Ensured by design.

Programming (continued)

The I²C master initiates the data transfer by asserting a start condition which initiates a response from all slave devices connected to the serial bus. Based on the 8-bit address byte sent by the master over the SDA line (consisting of the 7-bit slave address (MSB first) and an R/W' bit), the device whose address corresponds to the transmitted address responds by sending an acknowledge bit. All other devices on the bus remain idle while the selected device waits for data transfer with the master.

After the data transfer has occurred, stop conditions are established. In write mode, the master asserts a stop condition to end data transfer during the 10th clock pulse following the acknowledge bit for the last data byte from the slave. In read mode, the master receives the last data byte from the slave but does not pull SDA low during the 9th clock pulse. This is known as a non-acknowledge bit. By receiving the non-acknowledge bit, the slave knows the data transfer is finished and enters the idle mode. The master then takes the data line low during the low period before the 10th clock pulse, and high during the 10th clock pulse to assert a stop condition. A generic transaction is shown in Figure 10.

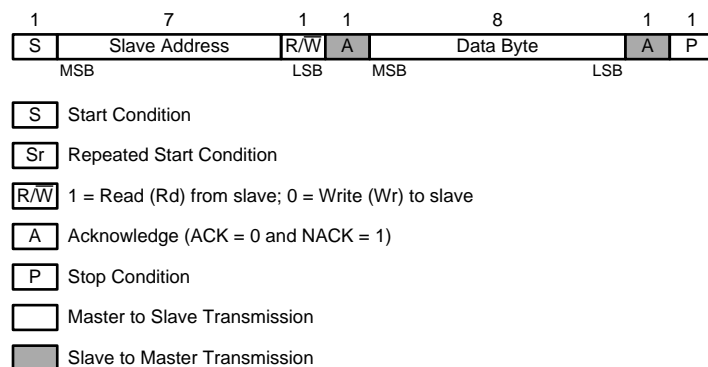


Figure 10. Generic Programming Sequence

The LMK61E0 I²C interface supports *Block Register Write/Read*, *Read/Write SRAM*, and *Read/Write EEPROM* operations. For *Block Register Write/Read* operations, the I²C master can individually access addressed registers that are made of an 8-bit data byte. The offset of the indexed register is encoded in the register address, as described in Table 1 below.

Table 1. Slave Address Byte

DEVICE	A6	A5	A4	A3	A2	ADD pin	R/W
LMK61E0	1	0	1	1	0	0x0, 0x1 or 0x3	1/0

8.5.2 Block Register Write

The I²C *Block Register Write* transaction is illustrated in Figure 11 and consists of the following sequence.

1. Master issues a Start Condition.
2. Master writes the 7-bit Slave Address following by a Write bit.
3. Master writes the 8-bit Register address as the CommandCode of the programming sequence.
4. Master writes one or more data bytes each of which should be acknowledged by the slave. The slave increments the internal register address after each byte.
5. Master issues a Stop Condition to terminate the transaction.

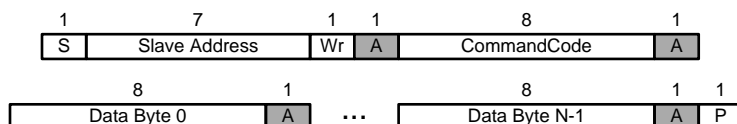


Figure 11. Block Register Write Programming Sequence

8.5.3 Block Register Read

The I²C *Block Register Read* transaction is illustrated in Figure 12 and consists of the following sequence.

1. Master issues a Start Condition.
2. Master writes the 7-bit Slave Address followed by a Write bit.
3. Master writes the 8-bit Register address as the CommandCode of the programming sequence.
4. Master issues a Repeated Start Condition.
5. Master writes the 7-bit Slave Address following by a Read bit.
6. Slave returns one or more data bytes as long as the Master continues to acknowledge them. The slave increments the internal register address after each byte.
7. Master issues a Stop Condition to terminate the transaction.

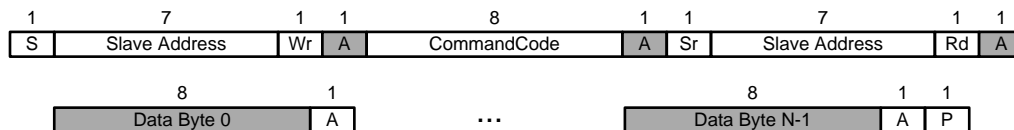


Figure 12. Block Register Read Programming Sequence

8.5.4 Write SRAM

The on-chip SRAM is a volatile, shadow memory array used to temporarily store register data, and is intended only for programming the non-volatile EEPROM. The SRAM has the identical data format as the EEPROM map. The register configuration data can be transferred to the SRAM array through special memory access registers in the register map. To successfully program the SRAM, the complete base array and at least one page should be written. The following details the programming sequence to transfer the device registers into the SRAM.

1. Program the device registers to match a desired setting.
2. Write a 1 to R49[6]. This ensures that the device registers are copied to the SRAM.

The SRAM can also be written with particular values according to the following programming sequence.

1. Write the SRAM address in R51.
2. Write the desired data byte in R53 in the same I²C transaction and this data byte will be written to the address specified in the step above. Any additional access that is part of the same transaction will cause the SRAM address to be incremented and a write will take place to the next SRAM address. Access to SRAM will terminate at the end of current I²C transaction.

NOTE

It is possible to increment SRAM address incorrectly when 2 successive accesses are made to R51.

8.5.5 Write EEPROM

The on-chip EEPROM is a non-volatile memory array used to permanently store register data for a custom device start-up configuration setting to initialize registers upon power up or POR. The EEPROM is comprised of bits shown in the EEPROM Map. The transfer must first happen to the SRAM and then to the EEPROM. During "EEPROM write", R49[2] is a 1 and the EEPROM contents cannot be accessed. The following details the programming sequence to transfer the entire contents of SRAM to EEPROM.

1. Make sure the "Write SRAM" procedure (Write SRAM) was done to commit the register settings to the SRAM with start-up configurations intended for programming to the EEPROM.
2. Write 0xBE to R56. This provides basic protection from inadvertent programming of EEPROM.
3. Write a 1 to R49[0]. This programs the entire SRAM contents to EEPROM. Once completed, the contents in R48 will increment by 1. R48 contains the total number of EEPROM programming cycles that are successfully completed.
4. Write 0x00 to R56 to protect against inadvertent programming of EEPROM.

8.5.6 Read SRAM

The contents of the SRAM can be read out, one word at a time, starting with that of the requested address. Following details the programming sequence for an SRAM read by address.

1. Write the SRAM address in R51.
2. The SRAM data located at the address specified in the step above can be obtained by reading R53 in the same I²C transaction. Any additional access that is part of the same transaction will cause the SRAM address to be incremented and a read will take place of the next SRAM address. Access to SRAM will terminate at the end of current I²C transaction.

NOTE

It is possible to increment SRAM address incorrectly when 2 successive accesses are made to R51.

8.5.7 Read EEPROM

The contents of the EEPROM can be read out, one word at a time, starting with that of the requested address. Following details the programming sequence for an EEPROM read by address.

1. Write the EEPROM address in R51.
2. The EEPROM data located at the address specified in the step above can be obtained by reading R52 in the same I²C transaction. Any additional access that is part of the same transaction will cause the EEPROM address to be incremented and a read will take place of the next EEPROM address. Access to EEPROM will terminate at the end of current I²C transaction.

NOTE

It is possible to increment EEPROM address incorrectly when 2 successive accesses are made to R51.

8.6 Register Maps

Any bit that is labeled as *RESERVED* should be written with a 0.

Table 2. EEPROM Map

BYTE NO.	BIT7	BIT6	BIT5	BIT4	BIT3	BIT2	BIT1	BIT0
0	RESERVED	RESERVED	RESERVED	RESERVED	RESERVED	RESERVED	RESERVED	RESERVED
1	RESERVED	RESERVED	RESERVED	RESERVED	RESERVED	RESERVED	RESERVED	RESERVED
2	RESERVED	RESERVED	RESERVED	RESERVED	RESERVED	RESERVED	RESERVED	RESERVED
3	RESERVED	RESERVED	RESERVED	RESERVED	RESERVED	RESERVED	RESERVED	RESERVED
4	NVMSCRC[7]	NVMSCRC[6]	NVMSCRC[5]	NVMSCRC[4]	NVMSCRC[3]	NVMSCRC[2]	NVMSCRC[1]	NVMSCRC[0]
5	NVMCNT[7]	NVMCNT[6]	NVMCNT[5]	NVMCNT[4]	NVMCNT[3]	NVMCNT[2]	NVMCNT[1]	NVMCNT[0]
6	1	RESERVED	RESERVED	RESERVED	RESERVED	1	RESERVED	RESERVED
7	RESERVED	RESERVED	1	RESERVED	RESERVED	RESERVED	RESERVED	1
8	RESERVED	RESERVED	RESERVED	RESERVED	RESERVED	RESERVED	RESERVED	RESERVED
9	SLAVEADR[7]	SLAVEADR[6]	SLAVEADR[5]	SLAVEADR[4]	SLAVEADR[3]	RESERVED	RESERVED	RESERVED
10	EEREV[7]	EEREV[6]	EEREV[5]	EEREV[4]	EEREV[3]	EEREV[2]	EEREV[1]	EEREV[0]
11	RESERVED	PLL_PDN	RESERVED	RESERVED	RESERVED	RESERVED	AUTOSTRT	RESERVED
14	RESERVED	RESERVED	RESERVED	RESERVED	RESERVED	1	RESERVED	1
15	RESERVED	XO_CAPCTRL[1]	XO_CAPCTRL[0]	XO_CAPCTRL[9]	XO_CAPCTRL[8]	XO_CAPCTRL[7]	XO_CAPCTRL[6]	XO_CAPCTRL[5]
16	XO_CAPCTRL[4]	XO_CAPCTRL[3]	XO_CAPCTRL[2]	RESERVED	RESERVED	RESERVED	RESERVED	RESERVED
19	RESERVED	RESERVED	OUT0_HIZ	CMOS_MUTE	RESERVED	OUT1_INV	OUT0_INV	RESERVED
20	RESERVED	RESERVED	RESERVED	RESERVED	RESERVED	RESERVED	RESERVED	RESERVED
21	RESERVED	RESERVED	RESERVED	OUT1_HIZ	RESERVED	RESERVED	RESERVED	PLL_RDIV
22	PLL_NDIV[11]	PLL_NDIV[10]	PLL_NDIV[9]	PLL_NDIV[8]	PLL_NDIV[7]	PLL_NDIV[6]	PLL_NDIV[5]	PLL_NDIV[4]
23	PLL_NDIV[3]	PLL_NDIV[2]	PLL_NDIV[1]	PLL_NDIV[0]	PLL_NUM[21]	PLL_NUM[20]	PLL_NUM[19]	PLL_NUM[18]
24	PLL_NUM[17]	PLL_NUM[16]	PLL_NUM[15]	PLL_NUM[14]	PLL_NUM[13]	PLL_NUM[12]	PLL_NUM[11]	PLL_NUM[10]
25	PLL_NUM[9]	PLL_NUM[8]	PLL_NUM[7]	PLL_NUM[6]	PLL_NUM[5]	PLL_NUM[4]	PLL_NUM[3]	PLL_NUM[2]
26	PLL_NUM[1]	PLL_NUM[0]	PLL_DEN[21]	PLL_DEN[20]	PLL_DEN[19]	PLL_DEN[18]	PLL_DEN[17]	PLL_DEN[16]
27	PLL_DEN[15]	PLL_DEN[14]	PLL_DEN[13]	PLL_DEN[12]	PLL_DEN[11]	PLL_DEN[10]	PLL_DEN[9]	PLL_DEN[8]
28	PLL_DEN[7]	PLL_DEN[6]	PLL_DEN[5]	PLL_DEN[4]	PLL_DEN[3]	PLL_DEN[2]	PLL_DEN[1]	PLL_DEN[0]
29	PLL_DTHRMODE[1]	PLL_DTHRMODE[0]	PLL_ORDER[1]	PLL_ORDER[0]	RESERVED	RESERVED	PLL_D	PLL_CP[3]
30	PLL_CP[2]	PLL_CP[1]	PLL_CP[0]	PLL_CP_PHASE_SHIFT[2]	PLL_CP_PHASE_SHIFT[1]	PLL_CP_PHASE_SHIFT[0]	PLL_ENABLE_C3[2]	PLL_ENABLE_C3[1]
31	PLL_ENABLE_C3[0]	PLL_LF_R2[7]	PLL_LF_R2[6]	PLL_LF_R2[5]	PLL_LF_R2[4]	PLL_LF_R2[3]	PLL_LF_R2[2]	PLL_LF_R2[1]

Register Maps (continued)
Table 2. EEPROM Map (continued)

BYTE NO.	BIT7	BIT6	BIT5	BIT4	BIT3	BIT2	BIT1	BIT0
32	PLL_LF_R2[0]	PLL_LF_C1[2]	PLL_LF_C1[1]	PLL_LF_C1[0]	PLL_LF_R3[6]	PLL_LF_R3[5]	PLL_LF_R3[4]	PLL_LF_R3[3]
33	PLL_LF_R3[2]	PLL_LF_R3[1]	PLL_LF_R3[0]	PLL_LF_C3[2]	PLL_LF_C3[1]	PLL_LF_C3[0]	CMOS_SLEWRATE[1]	CMOS_SLEWRATE[0]
34	PRE_DIV	OUT_DIV[8]	OUT_DIV[7]	OUT_DIV[6]	OUT_DIV[5]	OUT_DIV[4]	OUT_DIV[3]	OUT_DIV[2]
35	OUT_DIV[1]	OUT_DIV[0]	RESERVED	RESERVED	RESERVED	RESERVED	RESERVED	RESERVED

LMK61E0M

JAJSD7A – JANUARY 2017 – REVISED MAY 2017

www.ti.com

The default/reset values for each register is specified for LMK61E0.

Table 3. Register Map

NAME	ADD R	RES ET	BIT7	BIT6	BIT5	BIT4	BIT3	BIT2	BIT1	BIT0	
VNDRID_BY1	0	0x10	VNDRID[15:8]								
VNDRID_BY0	1	0x0B	VNDRID[7:0]								
PRODID	2	0x33	PRODID[7:0]								
REVID	3	0x00	REVID[7:0]								
SLAVEADR	8	0xB0	SLAVEADR[7:1]							RESERVED	
EEREV	9	0x00	EEREV[7:0]								
DEV_CTL	10	0x01	RESERVED	PLL_PDN	RESERVED				ENCAL	AUTOSTRT	
XO_CAPCTRL_BY1	16	0x00	RESERVED							XO_CAPCTRL[1:0]	
XO_CAPCTRL_BY0	17	0x00	XO_CAPCTRL[9:2]								
CMOSCTL	20	0x00	RESERVED					OUT0_HIZ	CMOS_MUTE	RESERVED	
DIFFCTL	21	0x01	RESERVED		OUT1_INV	OUT0_INV	RESERVED				
OUTDIV_BY1	22	0x00	CMOS_SLEWRATE[1:0]		PRE_DIV	RESERVED			OUT_DIV[8]		
OUTDIV_BY0	23	0x20	OUT_DIV[7:0]								
RDIVCMOSCTL	24	0x00	RESERVED			OUT1_HIZ	RESERVED			PLL_RDIV	
PLL_NDIV_BY1	25	0x00	RESERVED				PLL_NDIV[11:8]				
PLL_NDIV_BY0	26	0x64	PLL_NDIV[7:0]								
PLL_FRACNUM_BY2	27	0x00	RESERVED		PLL_NUM[21:16]						
PLL_FRACNUM_BY1	28	0x00	PLL_NUM[15:8]								
PLL_FRACNUM_BY0	29	0x00	PLL_NUM[7:0]								
PLL_FRACDEN_BY2	30	0x00	RESERVED		PLL_DEN[21:16]						
PLL_FRACDEN_BY1	31	0x00	PLL_DEN[15:8]								
PLL_FRACDEN_BY0	32	0x00	PLL_DEN[7:0]								
PLL_MASHCTRL	33	0x0C	RESERVED				PLL_DTHRMODE[1:0]	PLL_ORDER[1:0]			
PLL_CTRL0	34	0x24	RESERVED		PLL_D	RESERVED	PLL_CP[3:0]				
PLL_CTRL1	35	0x03	RESERVED	PLL_CP_PHASE_SHIFT[2:0]			RESERVED	PLL_ENABLE_C3[2:0]			
PLL_LF_R2	36	0x28	PLL_LF_R2[7:0]								
PLL_LF_C1	37	0x00	RESERVED						PLL_LF_C1[2:0]		
PLL_LF_R3	38	0x00	RESERVED	PLL_LF_R3[6:0]							
PLL_LF_C3	39	0x00	RESERVED						PLL_LF_C3[2:0]		

Table 3. Register Map (continued)

NAME	ADDR	RESET	BIT7	BIT6	BIT5	BIT4	BIT3	BIT2	BIT1	BIT0	
PLL_CALCTRL	42	0x00	RESERVED				PLL_CLSDWAIT[1:0]	PLL_VCOWAIT[1:0]			
NVMSCRC	47	0x00	NVMSCRC[7:0]								
NVMCNT	48	0x00	NVMCNT[7:0]								
NVMCTL	49	0x10	RESERVED	REGCOMMIT	NVMCRCE RR	NVMAUTO CRC	NVMCOMMIT	NVMBUSY	NVMERASE	NVMPROG	
NVMLCRC	50	0x00	NVMLCRC[7:0]								
MEMADR	51	0x00	RESERVED	MEMADR[6:0]							
NVMDAT	52	0x00	NVMDAT[7:0]								
RAMDAT	53	0x00	RAMDAT[7:0]								
NVMUNLK	56	0x00	NVMUNLK[7:0]								
INT_LIVE	66	0x00	RESERVED						LOL	CAL	
SWRST	72	0x00	RESERVED						SWR2PLL	RESERVED	

8.6.1 Register Descriptions

8.6.1.1 VNDRID_BY1 Register; R0

VNDRID_BY1 and VNDRID_BY0 registers are used to store the unique 16-bit Vendor Identification number assigned to I²C vendors.

BIT NO.	FIELD	TYPE	RESET	EEPROM	DESCRIPTION
[7:0]	VNDRID[15:8]	R	0x10	N	Vendor Identification Number Byte 1.

8.6.1.2 VNDRID_BY0 Register; R1

VNDRID_BY1 and VNDRID_BY0 registers are used to store the unique 16-bit Vendor Identification number assigned to I²C vendors.

BIT NO.	FIELD	TYPE	RESET	EEPROM	DESCRIPTION
[7:0]	VNDRID[7:0]	R	0x0B	N	Vendor Identification Number Byte 0.

8.6.1.3 PRODID Register; R2

The Product Identification Number is a unique 8-bit identification number used to identify the LMK61E0.

BIT NO.	FIELD	TYPE	RESET	EEPROM	DESCRIPTION
[7:0]	PRODID[7:0]	R	0x33	N	Product Identification Number.

8.6.1.4 REVID Register; R3

The REVID register is used to identify the LMK61E0 mask revision.

BIT NO.	FIELD	TYPE	RESET	EEPROM	DESCRIPTION
[7:0]	REVID[7:0]	R	0x00	N	Device Revision Number. The Device Revision Number is used to identify the LMK61E0 mask-set revision used to fabricate this device.

8.6.1.5 SLAVEADR Register; R8

The SLAVEADR register reflects the 7-bit I²C Slave Address value initialized from from on-chip EEPROM.

BIT NO.	FIELD	TYPE	RESET	EEPROM	DESCRIPTION	
[7:1]	SLAVEADR[7:1]	R	0x58	Y	I ² C Slave Address. This field holds the 7-bit Slave Address used to identify this device during I ² C transactions. The two least significant bits of the address can be configured using ADD pin as shown.	
					SLAVEADR[2:1]	ADD pin
					0 (0x0)	0
					1 (0x1)	Float
	3 (0x3)	1				
[0]	RESERVED	-	-	N	Reserved.	

8.6.1.6 EEREV Register; R9

The EEREV register provides an EEPROM image revision record. EEPROM Image Revision is automatically retrieved from EEPROM and stored in the EEREV register after a reset or after a EEPROM commit operation.

BIT NO.	FIELD	TYPE	RESET	EEPROM	DESCRIPTION
[7:0]	EEREV[7:0]	R	0x00	Y	EEPROM Image Revision ID

8.6.1.7 DEV_CTL Register; R10

The DEV_CTL register holds the control functions described in the following table.

BIT NO.	FIELD	TYPE	RESET	EEPROM	DESCRIPTION						
[7]	RESERVED	-	0	Y	Reserved.						
[6]	PLL_PDN	RW	0	Y	PLL Powerdown. The PLL_PDN bit determines whether PLL is automatically enabled and calibrated after a hardware reset. If the PLL_PDN bit is set to 1 during normal operation then PLL is disabled and the calibration circuit is reset. When PLL_PDN is then cleared to 0 PLL is re-enabled and the calibration sequence is automatically restarted. <table border="1" data-bbox="922 772 1468 877"> <thead> <tr> <th>PLL_PDN</th> <th>Value</th> </tr> </thead> <tbody> <tr> <td>0</td> <td>PLL Enabled</td> </tr> <tr> <td>1</td> <td>PLL Disabled</td> </tr> </tbody> </table>	PLL_PDN	Value	0	PLL Enabled	1	PLL Disabled
PLL_PDN	Value										
0	PLL Enabled										
1	PLL Disabled										
[5]	CMOS_SEL	RW	1	Y	Set to 1 for LMK61E0M.						
[4:2]	RESERVED[5:2]	RW	0	Y	Reserved.						
[1]	ENCAL	RWSC	0	N	Enable Frequency Calibration. Triggers PLL/VCO calibration on both PLLs in parallel on 0 → 1 transition of ENCAL. This bit is self-clearing and set to a 0 after PLL/VCO calibration is complete. In powerup or software rest mode, AUTOSTRT takes precedence.						
[0]	AUTOSTRT	RW	1	Y	Autostart. If AUTOSTRT is set to 1 the device will automatically attempt to achieve lock and enable outputs after a device reset. A device reset can be triggered by the power-on-reset, RESETh pin or by writing to the RESETh_SW bit. If AUTOSTRT is 0 then the device will halt after the configuration phase, a subsequent write to set the AUTOSTRT bit to 1 will trigger the PLL Lock sequence.						

8.6.1.8 XO_CAPCTRL_BY1 Register; R16

XO Margining Offset Value bits[9:8]

BIT NO.	FIELD	TYPE	RESET	EEPROM	DESCRIPTION
[7:2]	RESERVED[5:0]	-	-	N	Reserved.
[1:0]	XO_CAPCTRL [1:0]	RW	0x0	Y	XO Offset Value bits [1:0]

8.6.1.9 XO_CAPCTRL_BY0 Register; R17

XO Margining Offset Value bits[7:0]

BIT NO.	FIELD	TYPE	RESET	EEPROM	DESCRIPTION
[7:0]	XO_CAPCTRL [9:2]	RW	0x80	Y	XO Offset Value bits[9:2]

LMK61E0M

JAJSD7A – JANUARY 2017 – REVISED MAY 2017

www.ti.com
8.6.1.10 CMOSCTL Register; R20

The CMOSCTL register provides control over Output for LMK61E0M.

BIT NO.	FIELD	TYPE	RESET	EEPROM	DESCRIPTION
[7:3]	RESERVED	-	-	N	Reserved.
[2]	OUT0_HIZ	RW	0	Y	Controls OUT0 in LMK61E0M. When set to 1, the output is tri-stated with high impedance. When set to 0, the output is in normal operation.
[1]	CMOS_MUTE	RW	0	Y	Output channel mute in LMK61E0M.
[0]	RESERVED	-	-	N	Reserved.

8.6.1.11 DIFFCTL Register; R21

LVCMOS channel inversion is controlled by the OUT0_INV and OUT1_INV registers.

BIT NO.	FIELD	TYPE	RESET	EEPROM	DESCRIPTION
[7:6]	RESERVED	-	-	N	Reserved.
[5]	OUT1_INV	RW	0	Y	Inversion for CMOS output channel 1.
[4]	OUT0_INV	RW	0	Y	Inversion for CMOS output channel 0.
[3:0]	RESERVED	-	-	N	Reserved.

8.6.1.12 OUTDIV_BY1 Register; R22

The 9-bit output integer divider value is set by the OUTDIV_BY1 and OUTDIV_BY0 registers.

BIT NO.	FIELD	TYPE	RESET	EEPROM	DESCRIPTION
[7:6]	CMOS_SLEWRATE[1:0]	RW	0x0	Y	Sets LVCMOS output slew rate in LMK61E0M. 0x0 sets to fast mode and 0x2 sets to slow mode.
[5]	PRE_DIV	RW	0	Y	Sets LVCMOS output pre-divider in LMK61E0M. 0 sets to divide-by-4 and 1 sets to divide-by-5.
[4:1]	RESERVED	RW	0x0	Y	Reserved.
[0]	OUT_DIV[8]	RW	0	Y	Channel's Output Divider Byte 1 (Bit 8). The Channel Divider, OUT_DIV, is a 9-bit divider. The valid register values range from 5-255, which correspond with divide ratios of 6-256. To change the output divider, R23 needs to be programmed first and then R22. This is necessary for the CMOS divider to load the correct divide value.
	OUT_DIV				DIVIDE RATIO
	0-4				RESERVED
	5 (0x006)				6
	6 (0x007)				7
	254 (0x0FF)				255
	255 (0x100)				256

8.6.1.13 OUTDIV_BY0 Register; R23

The 9-bit output integer divider value is set by the OUTDIV_BY1 and OUTDIV_BY0 registers.

BIT NO.	FIELD	TYPE	RESET	EEPROM	DESCRIPTION
[7:0]	OUT_DIV[7:0]	RW	0x20	Y	Channel's Output Divider Byte 0 (Bits 7-0). To change the output divider, R23 needs to be programmed first and then R22. This is necessary for the CMOS divider to load the correct divide value.

8.6.1.14 RDIVCMOSCTL Register; R24

Sets R divider and CMOS OUT1 control for LMK61E0M.

BIT NO.	FIELD	TYPE	RESET	EEPROM	DESCRIPTION
[7:5]	RESERVED	-	-	N	Reserved.
[4]	OUT1_HIZ	RW	1	Y	Controls OUT1 in LMK61E0M. When set to 1, the output is tri-stated with high impedance. When set to 0, the output is in normal operation.
[3:1]	RESERVED	-	-	N	Reserved.
[0]	PLL_RDIV	RW	0	Y	On LMK61E0M, R divider is set to divide-by-4 when set to 1 and R divider is bypassed when set to 0.

8.6.1.15 PLL_NDIV_BY1 Register; R25

The 12-bit N integer divider value for PLL is set by the PLL_NDIV_BY1 and PLL_NDIV_BY0 registers.

BIT NO.	FIELD	TYPE	RESET	EEPROM	DESCRIPTION
[7:4]	RESERVED	-	-	N	Reserved.
[3:0]	PLL_NDIV[11:8]	RW	0x0	Y	PLL N Divider Byte 1. PLL Integer N Divider bits [11:8].

8.6.1.16 PLL_NDIV_BY0 Register; R26

The PLL_NDIV_BY0 register is described in the following table.

BIT NO.	FIELD	TYPE	RESET	EEPROM	DESCRIPTION
[7:0]	PLL_NDIV[7:0]	RW	0x32	Y	PLL N Divider Byte 0. PLL Integer N Divider bits [7:0].

8.6.1.17 PLL_FRACNUM_BY2 Register; R27

The 22-bit Fractional Divider Numerator value for PLL is set by registers PLL_FRACNUM_BY2, PLL_FRACNUM_BY1 and PLL_FRACNUM_BY0.

BIT NO.	FIELD	TYPE	RESET	EEPROM	DESCRIPTION
[7:6]	RESERVED	-	-	N	Reserved.
[5:0]	PLL_NUM[21:16]	RW	0x00	Y	PLL Fractional Divider Numerator Byte 2. Bits [21:16]

8.6.1.18 PLL_FRACNUM_BY1 Register; R28

The PLL_FRACNUM_BY1 register is described in the following table.

BIT NO.	FIELD	TYPE	RESET	EEPROM	DESCRIPTION
[7:0]	PLL_NUM[15:8]	RW	0x00	Y	PLL Fractional Divider Numerator Byte 1. Bits [15:8].

8.6.1.19 PLL_FRACNUM_BY0 Register; R29

The PLL_FRACNUM_BY0 register is described in the following table.

BIT NO.	FIELD	TYPE	RESET	EEPROM	DESCRIPTION
[7:0]	PLL_NUM[7:0]	RW	0x00	Y	PLL Fractional Divider Numerator Byte 0. Bits [7:0]. When using DCXO mode, the fractional numerator bits in R27, R28, and R29 should be written in that order (MSB first and LSB last) to avoid intermediate frequency jumps.

8.6.1.20 PLL_FRACDEN_BY2 Register; R30

The 22-bit Fractional Divider Denominator value for PLL is set by registers PLL_FRACDEN_BY2, PLL_FRACDEN_BY1 and PLL_FRACDEN_BY0.

BIT NO.	FIELD	TYPE	RESET	EEPROM	DESCRIPTION
[7:6]	RESERVED	-	-	N	Reserved.
[5:0]	PLL_DEN[21:16]	RW	0x00	Y	PLL Fractional Divider Denominator Byte 2. Bits [21:16].

8.6.1.21 PLL_FRACDEN_BY1 Register; R31

The PLL_FRACDEN_BY1 register is described in the following table.

BIT NO.	FIELD	TYPE	RESET	EEPROM	DESCRIPTION
[7:0]	PLL_DEN[15:8]	RW	0x00	Y	PLL Fractional Divider Denominator Byte 1. Bits [15:8].

8.6.1.22 PLL_FRACDEN_BY0 Register; R32

The PLL_FRACDEN_BY0 register is described in the following table.

BITS NO.	FIELD	TYPE	RESET	EEPROM	DESCRIPTION
[7:0]	PLL_DEN[7:0]	RW	0x00	Y	PLL Fractional Divider Denominator Byte 0. Bits [7:0].

8.6.1.23 PLL_MASHCTRL Register; R33

The PLL_MASHCTRL register provides control of the fractional divider for PLL.

BITS NO.	FIELD	TYPE	RESET	EEPROM	DESCRIPTION										
[7:4]	RESERVED	-	-	N	Reserved.										
[3:2]	PLL_DTHRMODE[1:0]	RW	0x3	Y	Mash Engine dither mode control. <table border="1"> <thead> <tr> <th>DITHERMODE</th> <th>Dither Configuration</th> </tr> </thead> <tbody> <tr> <td>0 (0x0)</td> <td>Weak</td> </tr> <tr> <td>1 (0x1)</td> <td>Reserved</td> </tr> <tr> <td>2 (0x2)</td> <td>Reserved</td> </tr> <tr> <td>3 (0x3)</td> <td>Dither Disabled</td> </tr> </tbody> </table>	DITHERMODE	Dither Configuration	0 (0x0)	Weak	1 (0x1)	Reserved	2 (0x2)	Reserved	3 (0x3)	Dither Disabled
DITHERMODE	Dither Configuration														
0 (0x0)	Weak														
1 (0x1)	Reserved														
2 (0x2)	Reserved														
3 (0x3)	Dither Disabled														
[1:0]	PLL_ORDER[1:0]	RW	0x0	Y	Mash Engine Order. <table border="1"> <thead> <tr> <th>ORDER</th> <th>Order Configuration</th> </tr> </thead> <tbody> <tr> <td>0 (0x0)</td> <td>Integer Mode Divider</td> </tr> <tr> <td>1 (0x1)</td> <td>Reserved</td> </tr> <tr> <td>2 (0x2)</td> <td>Reserved</td> </tr> <tr> <td>3 (0x3)</td> <td>3rd order</td> </tr> </tbody> </table>	ORDER	Order Configuration	0 (0x0)	Integer Mode Divider	1 (0x1)	Reserved	2 (0x2)	Reserved	3 (0x3)	3rd order
ORDER	Order Configuration														
0 (0x0)	Integer Mode Divider														
1 (0x1)	Reserved														
2 (0x2)	Reserved														
3 (0x3)	3rd order														

8.6.1.24 PLL_CTRL0 Register; R34

The PLL_CTRL1 register provides control of PLL. The PLL_CTRL1 register fields are described in the following table.

BITS NO.	FIELD	TYPE	RESET	EEPROM	DESCRIPTION						
[7:6]	RESERVED	RW	0x0	Y	Reserved.						
[5]	PLL_D	RW	1	Y	PLL R Divider Frequency Doubler Enable. If PLL_D is 1 the R Divider Frequency Doubler is enabled.						
[4]	RESERVED	-	-	N	Reserved.						
[3:0]	PLL_CP[3:0]	RW	0x8	Y	PLL Charge Pump Current. Other combinations of PLL_CP[3:0] not in table below are reserved and not supported. <table border="1"> <thead> <tr> <th>PLL_CP[3:0]</th> <th>PLL Charge Pump Current</th> </tr> </thead> <tbody> <tr> <td>4 (0x4)</td> <td>1.6 mA</td> </tr> <tr> <td>8 (0x8)</td> <td>6.4 mA</td> </tr> </tbody> </table>	PLL_CP[3:0]	PLL Charge Pump Current	4 (0x4)	1.6 mA	8 (0x8)	6.4 mA
PLL_CP[3:0]	PLL Charge Pump Current										
4 (0x4)	1.6 mA										
8 (0x8)	6.4 mA										

8.6.1.25 PLL_CTRL1 Register; R35

The PLL_CTRL3 register provides control of PLL. The PLL_CTRL3 register fields are described in the following table.

BIT NO.	FIELD	TYPE	RESET	EEPROM	DESCRIPTION																		
[7]	RESERVED	-	-	N	Reserved.																		
[6:4]	PLL_CP_PHASE_SHIFT [2:0]	RW	0x0	Y	Program Charge Pump Phase Shift. <table border="1"> <thead> <tr> <th>PLL_CP_PHASE_SHIFT[2:0]</th> <th>Phase Shift</th> </tr> </thead> <tbody> <tr> <td>0 (0x0)</td> <td>No delay</td> </tr> <tr> <td>1 (0x1)</td> <td>1.3 ns for 100 MHz f_{PD}</td> </tr> <tr> <td>2 (0x2)</td> <td>1 ns for 100 MHz f_{PD}</td> </tr> <tr> <td>3 (0x3)</td> <td>0.9 ns for 100 MHz f_{PD}</td> </tr> <tr> <td>4 (0x4)</td> <td>1.3 ns for 50 MHz f_{PD}</td> </tr> <tr> <td>5 (0x5)</td> <td>1 ns for 50 MHz f_{PD}</td> </tr> <tr> <td>6 (0x6)</td> <td>0.9 ns for 50 MHz f_{PD}</td> </tr> <tr> <td>7 (0x7)</td> <td>0.7 ns for 50 MHz f_{PD}</td> </tr> </tbody> </table>	PLL_CP_PHASE_SHIFT[2:0]	Phase Shift	0 (0x0)	No delay	1 (0x1)	1.3 ns for 100 MHz f_{PD}	2 (0x2)	1 ns for 100 MHz f_{PD}	3 (0x3)	0.9 ns for 100 MHz f_{PD}	4 (0x4)	1.3 ns for 50 MHz f_{PD}	5 (0x5)	1 ns for 50 MHz f_{PD}	6 (0x6)	0.9 ns for 50 MHz f_{PD}	7 (0x7)	0.7 ns for 50 MHz f_{PD}
PLL_CP_PHASE_SHIFT[2:0]	Phase Shift																						
0 (0x0)	No delay																						
1 (0x1)	1.3 ns for 100 MHz f_{PD}																						
2 (0x2)	1 ns for 100 MHz f_{PD}																						
3 (0x3)	0.9 ns for 100 MHz f_{PD}																						
4 (0x4)	1.3 ns for 50 MHz f_{PD}																						
5 (0x5)	1 ns for 50 MHz f_{PD}																						
6 (0x6)	0.9 ns for 50 MHz f_{PD}																						
7 (0x7)	0.7 ns for 50 MHz f_{PD}																						
[3]	RESERVED	-	-	N	Reserved.																		
[2]	PLL_ENABLE_C3	RW	0	Y	Disable third order capacitor in the low pass filter. <table border="1"> <thead> <tr> <th>PLL_ENABLE_C3</th> <th>MODE</th> </tr> </thead> <tbody> <tr> <td>0</td> <td>2nd order loop filter recommended setting</td> </tr> <tr> <td>1</td> <td>Enables C3, 3rd order loop filter enabled</td> </tr> </tbody> </table>	PLL_ENABLE_C3	MODE	0	2nd order loop filter recommended setting	1	Enables C3, 3rd order loop filter enabled												
PLL_ENABLE_C3	MODE																						
0	2nd order loop filter recommended setting																						
1	Enables C3, 3rd order loop filter enabled																						
[1:0]	RESERVED	-	0x3	Y	Reserved.																		

8.6.1.26 PLL_LF_R2 Register; R36

The PLL_LF_R2 register controls the value of the PLL Loop Filter R2.

BIT NO.	FIELD	TYPE	RESET	EEPROM	DESCRIPTION														
[7:0]	PLL_LF_R2[7:0]	RW	0x08	Y	PLL Loop Filter R2. NOTE: Table below lists commonly used R2 values but more selections are available. <table border="1"> <thead> <tr> <th>PLL_LF_R2[7:0]</th> <th>R2 (Ω)</th> </tr> </thead> <tbody> <tr> <td>1 (0x01)</td> <td>200</td> </tr> <tr> <td>4 (0x04)</td> <td>500</td> </tr> <tr> <td>8 (0x08)</td> <td>700</td> </tr> <tr> <td>32 (0x20)</td> <td>1600</td> </tr> <tr> <td>48 (0x30)</td> <td>2400</td> </tr> <tr> <td>64 (0x40)</td> <td>3200</td> </tr> </tbody> </table>	PLL_LF_R2[7:0]	R2 (Ω)	1 (0x01)	200	4 (0x04)	500	8 (0x08)	700	32 (0x20)	1600	48 (0x30)	2400	64 (0x40)	3200
PLL_LF_R2[7:0]	R2 (Ω)																		
1 (0x01)	200																		
4 (0x04)	500																		
8 (0x08)	700																		
32 (0x20)	1600																		
48 (0x30)	2400																		
64 (0x40)	3200																		

8.6.1.27 PLL_LF_C1 Register; R37

The PLL_LF_C1 register controls the value of the PLL Loop Filter C1.

BIT NO.	FIELD	TYPE	RESET	EEPROM	DESCRIPTION
[7:3]	RESERVED	-	-	N	Reserved.
[2:0]	PLL_LF_C1[2:0]	RW	0x0	Y	PLL Loop Filter C1. The value in pF is given by $5 + 50 * \text{PLL_LF_C1}$ (in decimal).

8.6.1.28 PLL_LF_R3 Register; R38

The PLL_LF_R3 register controls the value of the PLL Loop Filter R3.

BIT NO.	FIELD	TYPE	RESET	EEPROM	DESCRIPTION
[7]	RESERVED	-	-	N	Reserved.
[6:0]	PLL_LF_R3[6:0]	RW	0x00	Y	PLL Loop Filter R3. NOTE: Table below lists commonly used R3 values but more selections are available.
	PLL_LF_R3[6:0]				R3 (Ω)
	0 (0x00)				18
	3 (0x03)				205
	8 (0x08)				854
	9 (0x09)				1136
	12 (0x0C)				1535
	17 (0x11)				1936
	20 (0x14)				2335

8.6.1.29 PLL_LF_C3 Register; R39

The PLL_LF_C3 register controls the value of the PLL Loop Filter C3.

BIT NO.	FIELD	TYPE	RESET	EEPROM	DESCRIPTION
[7:3]	RESERVED	-	-	N	Reserved.
[2:0]	PLL_LF_C3[2:0]	RW	0x0	Y	PLL Loop Filter C3. The value in pF is given by $5 * \text{PLL_LF_C3}$ (in decimal).

8.6.1.30 PLL_CALCTRL Register; R42

The PLL_CALCTRL register is described in the following table.

BIT NO.	FIELD	TYPE	RESET	EEPROM	DESCRIPTION
[7:4]	RESERVED	-	-	N	Reserved.
[3:2]	PLL_CLSDWAIT[1:0]	RW	0x2	Y	Closed Loop Wait Period. The CLSDWAIT field sets the closed loop wait period. Recommended value is 0x2.
	CLSDWAIT				Anlog closed loop VCO stabilization time
	0 (0x0)				150 μs
	1 (0x1)				300 μs
	2 (0x2)				500 μs
	3 (0x3)				2000 μs
[1:0]	PLL_VCOWAIT[1:0]	RW	0x1	Y	VCO Wait Period. Recommended value is 0x1.
	VCOWAIT				VCO stabilization time
	0 (0x0)				20 μs
	1 (0x1)				400 μs
	2 (0x2)				4000 μs
	3 (0x3)				10000 μs

8.6.1.31 NVMSCRC Register; R47

The NVMSCRC register holds the Stored CRC (Cyclic Redundancy Check) byte that has been retrieved from on-chip EEPROM.

BIT NO.	FIELD	TYPE	RESET	EEPROM	DESCRIPTION
[7:0]	NVMSCRC[7:0]	R	0x00	Y	EEPROM Stored CRC.

8.6.1.32 NVMCNT Register; R48

The NVMCNT register is intended to reflect the number of on-chip EEPROM Erase/Program cycles that have taken place in EEPROM. The count is automatically incremented by hardware and stored in EEPROM.

BIT NO.	FIELD	TYPE	RESET	EEPROM	DESCRIPTION
[7:0]	NVMCNT[7:0]	R	0x00	Y	EEPROM Program Count. The NVMCNT increments automatically after every EEPROM Erase/Program Cycle. The NVMCNT value is retrieved automatically after reset, after a EEPROM Commit operation or after a Erase/Program cycle. The NVMCNT register will increment until it reaches its maximum value of 255 after which no further increments will take place.

8.6.1.33 NVMCTL Register; R49

The NVMCTL register allows control of the on-chip EEPROM Memories.

BIT NO.	FIELD	TYPE	RESET	EEPROM	DESCRIPTION
[7]	RESERVED	-	-	N	Reserved.
[6]	REGCOMMIT	RWSC	0	N	REG Commit to EEPROM SRAM Array. The REGCOMMIT bit is used to initiate a transfer from the on-chip registers back to the corresponding location in the EEPROM SRAM Array. The REGCOMMIT bit is automatically cleared to 0 when the transfer is complete.
[5]	NVMCRCERR	R	0	N	EEPROM CRC Error Indication. The NVMCRCERR bit is set to 1 if a CRC Error has been detected when reading back from on-chip EEPROM during device configuration.
[4]	NVMAUTCRC	RW	1	N	EEPROM Automatic CRC. When NVMAUTCRC is 1 then the EEPROM Stored CRC byte is automatically calculated whenever a EEPROM program takes place.
[3]	NVMCOMMIT	RWSC	0	N	EEPROM Commit to Registers. The NVMCOMMIT bit is used to initiate a transfer of the on-chip EEPROM contents to internal registers. The transfer happens automatically after reset or when NVMCOMMIT is set to 1. The NVMCOMMIT bit is automatically cleared to 0. The I ² C registers cannot be read while a EEPROM Commit operation is taking place.
[2]	NVMBUSY	R	0	N	EEPROM Program Busy Indication. The NVMBUSY bit is 1 during an on-chip EEPROM Erase/Program cycle. While NVMBUSY is 1 the on-chip EEPROM cannot be accessed.
[1]	NVMERASE	RWSC	0	N	EEPROM Erase Start. The NVMERASE bit is used to begin an on-chip EEPROM Erase cycle. The Erase cycle is only initiated if the immediately preceding I ² C transaction was a write to the NVMUNLK register with the appropriate code. The NVMERASE bit is automatically cleared to 0. The EEPROM Erase operation takes around 115ms.
[0]	NVMPROG	RWSC	0	N	EEPROM Program Start. The NVMPROG bit is used to begin an on-chip EEPROM Program cycle. The Program cycle is only initiated if the immediately preceding I ² C transaction was a write to the NVMUNLK register with the appropriate code. The NVMPROG bit is automatically cleared to 0. If the NVMERASE and NVMPROG bits are set simultaneously then an ERASE/PROGRAM cycle will be executed. The EEPROM Program operation takes around 115ms.

8.6.1.34 MEMADR Register; R51

The MEMADR register holds 7-bits of the starting address for on-chip SRAM or EEPROM access.

BITS NO.	FIELD	TYPE	RESET	EEPROM	DESCRIPTION
[7]	RESERVED	-	-	N	Reserved.
[6:0]	MEMADR[6:0]	RW	0x00	N	Memory Address. The MEMADR value determines the starting address for on-chip SRAM read/write access or on-chip EEPROM access. The internal address to access SRAM or EEPROM is automatically incremented; however the MEMADR register does not reflect the internal address in this way. When the SRAM or EEPROM arrays are accessed using the I ² C interface only bits [4:0] of MEMADR are used to form the byte Wise address.

8.6.1.35 NVMDAT Register; R52

The NVMDAT register returns the on-chip EEPROM contents from the starting address specified by the MEMADR register.

BITS NO.	FIELD	TYPE	RESET	EEPROM	DESCRIPTION
[7:0]	NVMDAT[7:0]	R	0x00	N	EEPROM Read Data. The first time an I ² C read transaction accesses the NVMDAT register address, either because it was explicitly targeted or because the address was auto-incremented, the read transaction will return the EEPROM data located at the address specified by the MEMADR register. Any additional read's which are part of the same transaction will cause the EEPROM address to be incremented and the next EEPROM data byte will be returned. The I ² C address will no longer be auto-incremented, i.e the I ² C address will be locked to the NVMDAT register after the first access. Access to the NVMDAT register will terminate at the end of the current I ² C transaction.

8.6.1.36 RAMDAT Register; R53

The RAMDAT register provides read and write access to the SRAM that forms part of the on-chip EEPROM module.

BITS NO.	FIELD	TYPE	RESET	EEPROM	DESCRIPTION
[7:0]	RAMDAT[7:0]	RW	0x00	N	RAM Read/Write Data. The first time an I ² C read or write transaction accesses the RAMDAT register address, either because it was explicitly targeted or because the address was auto-incremented, a read transaction will return the RAM data located at the address specified by the MEMADR register and a write transaction will cause the current I ² C data to be written to the address specified by the MEMADR register. Any additional accesses which are part of the same transaction will cause the RAM address to be incremented and a read or write access will take place to the next SRAM address. The I ² C address will no longer be auto-incremented, i.e the I ² C address will be locked to the RAMDAT register after the first access. Access to the RAMDAT register will terminate at the end of the current I ² C transaction.

8.6.1.37 NVMUNLK Register; R56

The NVMUNLK register provides a rudimentary level of protection to prevent inadvertent programming of the on-chip EEPROM.

BIT NO.	FIELD	TYPE	RESET	EEPROM	DESCRIPTION
[7:0]	NVMUNLK[7:0]	RW	0x00	N	EEPROM Prog Unlock. The NVMUNLK register must be written immediately prior to setting the NVMPROG bit of register NVMCTL, otherwise the Erase/Program cycle will not be triggered. NVMUNLK must be written with a value of 0xBE.

8.6.1.38 INT_LIVE Register; R66

The INT_LIVE register reflects the current status of the interrupt sources.

BIT NO.	FIELD	TYPE	RESET	EEPROM	DESCRIPTION
[7:2]	RESERVED	-	-	N	Reserved.
[1]	LOL	R	0	N	Loss of Lock PLL.
[0]	CAL	R	0	N	Calibration Active PLL.

8.6.1.39 SWRST Register; R72

The SWRST1 register provides software reset control for specific on-chip modules. Each bit in this register is individually self cleared after a write operation. The SWRST1 register will always return 0x00 in a read transaction.

BIT NO.	FIELD	TYPE	RESET	EEPROM	DESCRIPTION
[7:2]	RESERVED	-	-	N	Reserved.
[1]	SWR2PLL	RWSC	0	N	Software Reset PLL. Setting SWR2PLL to 1 resets the PLL calibrator and clock dividers. This bit is automatically cleared to 0.
[0]	RESERVED	-	-	N	Reserved.

9 Application and Implementation

NOTE

Information in the following applications sections is not part of the TI component specification, and TI does not warrant its accuracy or completeness. TI's customers are responsible for determining suitability of components for their purposes. Customers should validate and test their design implementation to confirm system functionality.

9.1 Application Information

The LMK61E0 features fine and coarse frequency margining capabilities which allow it to be used in applications requiring the output frequency to be adjusted on the fly. In fractional PLL mode, the numerator of the PLL fractional feedback divider can be updated over I²C to update the output frequency without glitches or spikes, allowing the device to be used as a DCXO. The output frequency step size for every bit change in the numerator of the PLL fractional feedback divider is given in [Configuring the PLL](#). The [Application Curves](#) section below illustrates the glitch-less switch in output frequency when the numerator is updated. The frequency margining features can also aid the hardware designer during the system debug and validation phase.

9.2 Typical Application

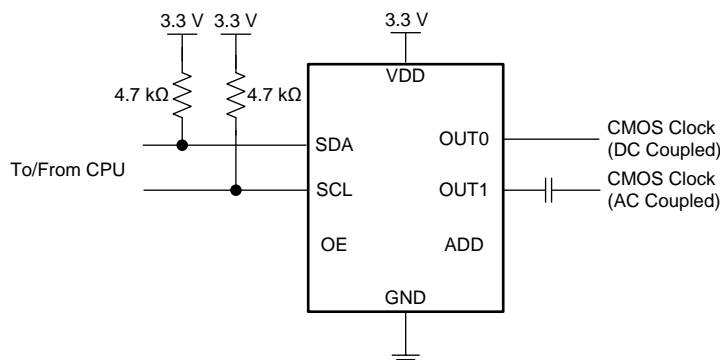


Figure 13. LMK61E0M Typical Application

9.2.1 Design Requirements

Consider a typical digital subscriber line (DSL) application, in which a local modem must track the clock signal of a network modem to ensure accurate and efficient data transfer. In such systems, a DCXO is implemented to allow a local processor to digitally control the oscillator frequency to maintain synchronization. An example of such a clock frequency would be 70.656 MHz.

The typical schematic above shows the I²C connection to the processor and output configurations for AC or DC coupling. OE and ADD can be left floating. The internal pullup resistor on OE enables OUT0. Leaving ADD floating sets the LSB of the I²C slave address to 01.

The [Detailed Design Procedure](#) below describes the procedure to generate and adjust the required output frequency for the above scenario using LMK61E0M.

9.2.2 Detailed Design Procedure

This design procedure will give a quick outline of the process of configuring the LMK61E0M in the above use case. Typically, the easiest approach to configuring the PLL is to start with the desired output frequency and work backwards.

1. VCO Frequency Selection

- The first step is to calculate the possible VCO frequencies given the required output frequency of 70.656 MHz. The LMK61E0M output dividers consist of the VCO post divider that can be set to /4 or /5, and the output divider that can be set from /6 to /256. The VCO can output frequencies from 4.6 GHz to 5.6 GHz. Therefore, the output frequency multiplied by the total divide value must fall within this range.
- To determine the boundary of the total divide value, we can divide the VCO frequency limits by the output

Typical Application (continued)

frequency, resulting in a range of 65.1 to 79.3. Any combination of dividers that result in a total divide value within this range will result in a valid VCO frequency. The possible divider combinations and the resulting VCO frequencies are listed in columns 1 and 2, respectively, of [Table 4](#), below.

2. Input Divider and Doubler/Phase Detector Frequency Configuration

- The next step is to set the reference divider and doubler in the reference frequency path to the PLL. The reference divider can be set to /1 or /4, and the doubler can be set to x1 or x2. The main trade-off is that a higher phase detector frequency will result in better output phase noise performance and a lower phase detector frequency will result in a finer output frequency step size when adjusting the feedback divider numerator in DCXO mode.
- In the DSL application, a finer step size is desired so the reference divider will be set to /4 and the doubler to x1 to minimize the phase detector frequency. The phase detector frequency can then be calculated by multiplying and dividing the reference frequency of 50 MHz by those values, resulting in 12.5 MHz.
- Note that in some applications, a trade-off in step size to obtain better phase noise performance is acceptable. In that case the design procedure can be continued, substituting the relevant reference divider and doubler configuration and phase detector frequency.

Typical Application (continued)

3. Feedback Divider Selection

- The possible feedback divider values can then be calculated by dividing the VCO frequency by the phase detector frequency. The possible values are listed in column 3 of [Table 4](#).
- Glitch-less frequency margining in DCXO mode is achieved by adjusting the numerator of the feedback divider without changing the integer value of the divider, which could cause a frequency glitch. Therefore, the output frequency tuning range is limited by which VCO frequency and feedback divider we select out of the valid combinations. To obtain as equal of a tuning range above and below the nominal output frequency as possible, a feedback divider value with fractional portion as close to 1/2 as possible should be chosen.
- The VCO frequency of 5369.856 MHz results in a feedback divider of 429.58848, which has a fractional portion closest to 1/2. The decimal converted to a fraction is 429+58848/100000. To minimize step size, the fraction can be converted to the maximum equivalent fraction of 2412768/4100000 as limited by the maximum denominator of 4194303.

4. Frequency Margining

- With the device configured to output the nominal frequency of 70.656 MHz, the numerator can be adjusted over I²C to tune the output frequency.
- Using equation 3 in [Configuring the PLL](#), the step size of this configuration can be calculated to be approximately 4x10⁻⁸ MHz or 0.58 ppb.
- The maximum and minimum tuning range limits can be determined by calculating the maximum shift in frequency from nominal without changing the integer portion of the feedback divider (including setting the numerator to zero or equal to the denominator). In this case, the limits are a maximum of +955 ppm and a minimum of –1365 ppm from nominal.

Table 4. PLL Configuration Options

1. POSSIBLE OUTPUT DIVIDER COMBINATIONS	2. POSSIBLE VCO FREQUENCIES (MHz)	3. FEEDBACK DIVIDER WITH PDF=12.5 MHz	4. EQUIVALENT FRACTIONAL FEEDBACK DIVIDER VALUES
68 (/4, /17)	4804.608	384.36864	384+1511424/4100000
70 (/5, /14)	4945.92	395.6736	395+2822384/4190000
72 (/4, /18)	5087.232	406.97856	406+4012096/4100000
75 (/5, /15)	5299.2	423.936	423+3925584/4194000
76 (/4, /19)	5369.856	429.58848	429+2412768/4100000

9.2.2.1 PLL Loop Filter Design

The EVM software tool TICS Pro/Oscillator Programming Tool can be used to aid loop filter design. The Easy Configuration GUI is able to generate a suggested set of loop filter values given a desired output frequency. The tool recommends a PLL configuration that is designed to minimize jitter. As of the publication of this document, it is not yet able to optimize for desired tuning range in DCXO mode. When configuring the device for operation in DCXO mode, TI recommends using the software suggested loop filter settings as a starting point and then perform the procedure described in [Detailed Design Procedure](#) to optimize the PLL configuration to suit the application needs.

A general set of loop filter design guidelines are given below:

- There are many device configurations to achieve the desired output frequency from a device. However there are some optimizations and trade-offs to be considered.
- The guidelines below may be followed when configuring PLL related dividers or other related registers:
 - For lowest possible in-band PLL flat noise, maximize phase detector frequency to minimize N divide value.
 - For fractional divider values, keep the denominator at highest value possible to minimize spurs. It is also best to use a higher order modulator whenever possible for the same reason.
 - As a rule of thumb, keep the phase detector frequency approximately between 10 × PLL loop bandwidth and 100 × PLL loop bandwidth. A phase detector frequency less than 5 × PLL bandwidth may be unstable.
 - While designing the loop filter, adjusting the charge pump current or N value can help with loop filter component selection. Lower charge pump currents and larger N values result in smaller component values

but may increase impacts of leakage and reduce PLL phase noise performance.

- A more detailed understanding of loop filter design can be found in Dean Banerjee's [PLL Performance, Simulation, and Design](#).

9.2.2.2 Spur Mitigation Techniques

The LMK61E0M offers several programmable features for optimizing fractional spurs. To get the best out of these features, it makes sense to understand the different kinds of spurs as well as their behaviors, causes, and remedies. Although optimizing spurs may involve some trial and error, there are ways to make this process more systematic. TI offers the [Clock Design Tool](#) (SNAU082) for more information and estimation of fractional spurs.

9.2.2.2.1 Phase Detection Spur

The phase detector spur occurs at an offset from the carrier equal to the phase detector frequency, f_{PD} . To minimize this spur, consider a lower phase detector frequency. In some cases where the loop bandwidth is very wide relative to the phase detector frequency, some benefit might be gained from using a narrower loop bandwidth or adding poles to the loop filter by using R3 and C3 if previously unused, but otherwise the loop filter has minimal impact. Bypassing at the supply pins and board layout can also have an impact on this spur, especially at higher phase detector frequencies.

9.2.2.2.2 Integer Boundary Fractional Spur

This spur occurs at an offset equal to the difference between the VCO frequency and the closest integer channel for the VCO. For instance, if the phase detector frequency is 100 MHz and the VCO frequency is 5003 MHz, then the integer boundary spur would be at 3-MHz offset. This spur can be either PLL or VCO dominated. If it is PLL dominated, decreasing the loop bandwidth and some of the programmable fractional words may impact this spur. If the spur is VCO dominated, then reducing the loop filter will not help, but rather reducing the phase detector and having good slew rate and signal integrity at the selected reference input will help.

9.2.2.2.3 Primary Fractional Spur

These spurs occur at multiples of f_{PD}/DEN and are not the integer boundary spur. For instance, if the phase detector frequency is 100 MHz and the fraction is 3/100, the primary fractional spurs would be at 1 MHz, 2 MHz, 4 MHz, 5 MHz, 6 MHz, and so forth. These are impacted by the loop filter bandwidth and modulator order. If a small frequency error is acceptable, then a larger equivalent fraction may improve these spurs. This larger unequivalent fraction pushes the fractional spur energy to much lower frequencies that where they are not impactful to the system performance.

9.2.2.2.4 Sub-Fractional Spur

These spurs appear at a fraction of f_{PD}/DEN and depend on modulator order. With the first order modulator, there are no sub-fractional spurs. The second order modulator can produce 1/2 sub-fractional spurs if the denominator is even. A third order modulator can produce sub-fractional spurs at 1/2, 1/3, or 1/6 of the offset, depending if it is divisible by 2 or 3. For instance, if the phase detector frequency is 100 MHz and the fraction is 3/100, no sub-fractional spurs for a first order modulator or sub-fractional spurs at multiples of 1.5 MHz for a second or third order modulator would be expected. Aside from strategically choosing the fractional denominator and using a lower order modulator, another tactic to eliminate these spurs is to use dithering and express the fraction in larger equivalent terms. Because dithering also adds phase noise, its level needs to be managed to achieve acceptable phase noise and spurious performance.

[Table 5](#) summarizes spur and mitigation techniques.

Table 5. Spur and Mitigation Techniques

SPUR TYPE	OFFSET	WAYS TO REDUCE	TRADE-OFFS
Phase Detector	f_{PD}	Reduce Phase Detector Frequency.	Although reducing the phase detector frequency does improve this spur, it also degrades phase noise.

Table 5. Spur and Mitigation Techniques (continued)

SPUR TYPE	OFFSET	WAYS TO REDUCE	TRADE-OFFS
Integer Boundary	$f_{VCO} \text{ mod } f_{PD}$	Methods for PLL Dominated Spurs	Reducing the loop bandwidth may degrade the total integrated noise if the bandwidth is too narrow.
		- Avoid the worst case VCO frequencies if possible.	
		- Ensure good slew rate and signal integrity at reference input.	
		- Reduce loop bandwidth or add more filter poles to suppress out of band spurs.	Reducing the phase detector may degrade the phase noise.
		Methods for VCO Dominated Spurs	
		- Avoid the worst case VCO frequencies if possible.	
- Reduce Phase Detector Frequency.			
- Ensure good slew rate and signal integrity at reference input.			
Primary Fractional	f_{PD}/DEN	- Decrease Loop Bandwidth.	Decreasing the loop bandwidth may degrade in-band phase noise. Also, larger unequivalent fractions don't always reduce spurs.
		- Change Modulator Order.	
		- Use Larger Unequivalent Fractions.	
Sub-Fractional	$f_{PD}/DEN/k$ k=2,3, or 6	- Use Dithering.	Dithering and larger fractions may increase phase noise.
		- Use Larger Equivalent Fractions.	
		- Use Larger Unequivalent Fractions.	
		- Reduce Modulator Order.	
		- Eliminate factors of 2 or 3 in denominator.	

9.2.2.3 Device Programming

The EVM software tool TICS Pro/Oscillator Programming Tool can be used to program the device with the desired configuration. Simply select the *Program EEPROM* option and the software will automatically load the current configuration to EEPROM. The settings will then be available upon subsequent startup without the need to reload the registers over I²C.

9.2.3 Application Curves

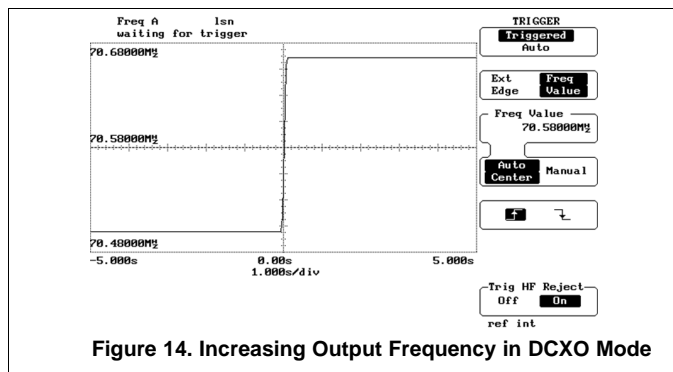


Figure 14. Increasing Output Frequency in DCXO Mode

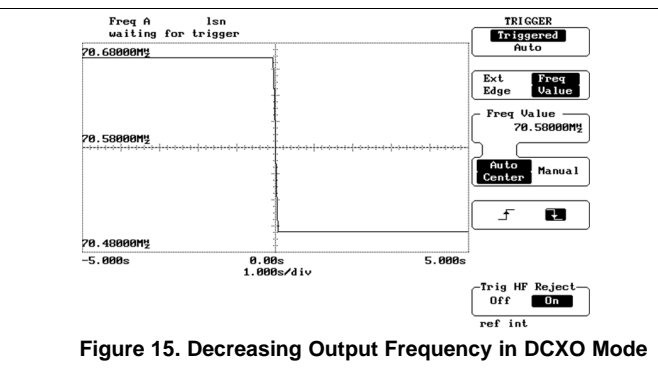


Figure 15. Decreasing Output Frequency in DCXO Mode

10 Power Supply Recommendations

For best electrical performance of the LMK61E0 device, TI recommends using a combination of 10 μF , 1 μF and 0.1 μF on its power supply bypass network. TI also recommends using component side mounting of the power supply bypass capacitors, and it is best to use 0201 or 0402 body size capacitors to facilitate signal routing. Keep the connections between the bypass capacitors and the power supply on the device as short as possible. Ground the other side of the capacitor using a low impedance connection to the ground plane. [Figure 16](#) shows the layout recommendation for power supply decoupling of LMK61E0.

11 Layout

11.1 Layout Guidelines

[Ensured Thermal Reliability](#), [Best Practices for Signal Integrity](#) and [Recommended Solder Reflow Profile](#) provide recommendations for board layout, solder reflow profile and power supply bypassing when using LMK61E0 to ensure good thermal and electrical performance and overall signal integrity of entire system.

11.1.1 Ensured Thermal Reliability

The LMK61E0 is a high performance device. Therefore careful attention must be paid to device configuration and printed-circuit board (PCB) layout with respect to power consumption. The ground pin needs to be connected to the ground plane of the PCB through three vias or more, as shown in [Figure 16](#), to maximize thermal dissipation out of the package.

[Equation 4](#) describes the relationship between the PCB temperature around the LMK61E0 and its junction temperature.

$$T_B = T_J - \Psi_{JB} * P$$

where

- T_B : PCB temperature around the LMK61E0
 - T_J : Junction temperature of LMK61E0
 - Ψ_{JB} : Junction-to-board thermal resistance parameter of LMK61E0 (36.7°C/W without airflow)
 - P: On-chip power dissipation of LMK61E0
- (4)

To ensure that the maximum junction temperature of LMK61E0 is below 115°C, it can be calculated that the maximum PCB temperature without airflow should be at 93°C or below when the device is optimized for best performance resulting in maximum on-chip power dissipation of 0.6 W.

11.1.2 Best Practices for Signal Integrity

For best electrical performance and signal integrity of entire system with LMK61E0, TI recommends routing vias into decoupling capacitors and then into the LMK61E0. TI also recommends increasing the via count and width of the traces wherever possible. These steps ensure lowest impedance and shortest path for high-frequency current flow. [Figure 16](#) shows the layout recommendation for LMK61E0.

11.1.3 Recommended Solder Reflow Profile

TI also recommends following the solder paste supplier's recommendations to optimize flux activity and to achieve proper melting temperatures of the alloy within the guidelines of J-STD-20. It is preferable for the LMK61E0 to be processed with the lowest peak temperature possible while also remaining below the components peak temperature rating as listed on the MSL label. The exact temperature profile would depend on several factors including maximum peak temperature for the component as rated on the MSL label, Board thickness, PCB material type, PCB geometries, component locations, sizes, densities within PCB, as well solder manufactures recommended profile, and capability of the reflow equipment to as confirmed by the SMT assembly operation.

11.2 Layout Example

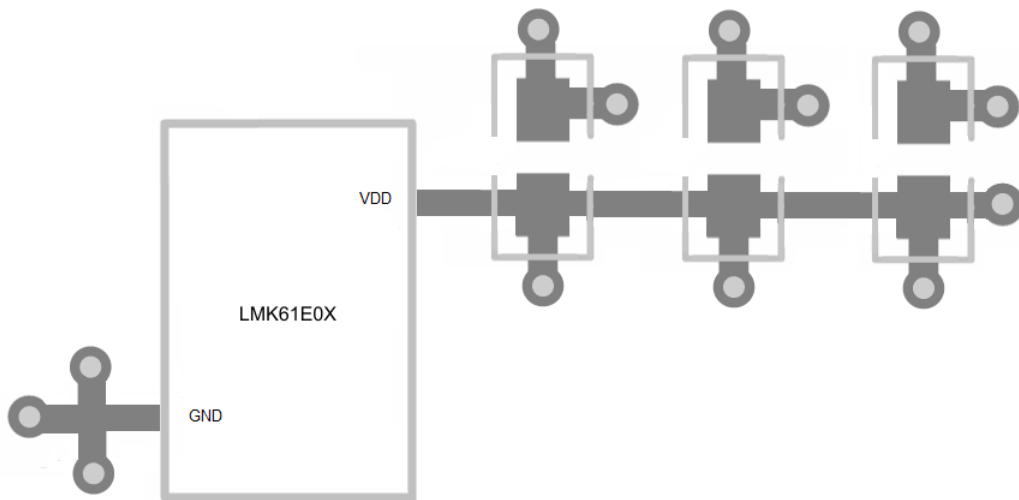


Figure 16. LMK61E0 Layout Recommendation for Power Supply and Ground

12 デバイスおよびドキュメントのサポート

12.1 ドキュメントのサポート

12.1.1 関連資料

関連資料については、以下を参照してください:

- 『クロック設計ツール』(SNAU082)
- 『PLLの性能、シミュレーション、および設計』

12.2 ドキュメントの更新通知を受け取る方法

ドキュメントの更新についての通知を受け取るには、ti.comのデバイス製品フォルダを開いてください。右上の隅にある「通知を受け取る」をクリックして登録すると、変更されたすべての製品情報に関するダイジェストを毎週受け取れます。変更の詳細については、修正されたドキュメントに含まれている改訂履歴をご覧ください。

12.3 コミュニティ・リソース

The following links connect to TI community resources. Linked contents are provided "AS IS" by the respective contributors. They do not constitute TI specifications and do not necessarily reflect TI's views; see TI's [Terms of Use](#).

TI E2E™オンライン・コミュニティ *TIのE2E (Engineer-to-Engineer)* コミュニティ。エンジニア間の共同作業を促進するために開設されたものです。e2e.ti.comでは、他のエンジニアに質問し、知識を共有し、アイデアを検討して、問題解決に役立てることができます。

設計サポート *TIの設計サポート* 役に立つE2Eフォーラムや、設計サポート・ツールをすばやく見つけることができます。技術サポート用の連絡先情報も参照できます。

12.4 商標

E2E is a trademark of Texas Instruments.

All other trademarks are the property of their respective owners.

12.5 静電気放電に関する注意事項



すべての集積回路は、適切なESD保護方法を用いて、取扱いと保存を行うようにして下さい。

静電気放電はわずかな性能の低下から完全なデバイスの故障に至るまで、様々な損傷を与えます。高精度の集積回路は、損傷に対して敏感であり、極めてわずかなパラメータの変化により、デバイスに規定された仕様に適合しなくなる場合があります。

12.6 Glossary



[SLYZ022](#) — *TI Glossary*.

This glossary lists and explains terms, acronyms, and definitions.

13 メカニカル、パッケージ、および注文情報

以降のページには、メカニカル、パッケージ、および注文に関する情報が記載されています。この情報は、そのデバイスについて利用可能な最新のデータです。このデータは予告なく変更されることがあり、ドキュメントが改訂される場合もあります。本データシートのブラウザ版を使用されている場合は、画面左側の説明をご覧ください。

PACKAGING INFORMATION

Orderable Device	Status (1)	Package Type	Package Drawing	Pins	Package Qty	Eco Plan (2)	Lead finish/ Ball material (6)	MSL Peak Temp (3)	Op Temp (°C)	Device Marking (4/5)	Samples
LMK61E0M-SIAR	ACTIVE	QFM	SIA	8	2500	RoHS & Green	NIAU	Level-3-260C-168 HR	-40 to 85	LMK61E0 M	
LMK61E0M-SIAT	ACTIVE	QFM	SIA	8	250	RoHS & Green	NIAU	Level-3-260C-168 HR	-40 to 85	LMK61E0 M	

(1) The marketing status values are defined as follows:

ACTIVE: Product device recommended for new designs.

LIFEBUY: TI has announced that the device will be discontinued, and a lifetime-buy period is in effect.

NRND: Not recommended for new designs. Device is in production to support existing customers, but TI does not recommend using this part in a new design.

PREVIEW: Device has been announced but is not in production. Samples may or may not be available.

OBSOLETE: TI has discontinued the production of the device.

(2) **RoHS:** TI defines "RoHS" to mean semiconductor products that are compliant with the current EU RoHS requirements for all 10 RoHS substances, including the requirement that RoHS substance do not exceed 0.1% by weight in homogeneous materials. Where designed to be soldered at high temperatures, "RoHS" products are suitable for use in specified lead-free processes. TI may reference these types of products as "Pb-Free".

RoHS Exempt: TI defines "RoHS Exempt" to mean products that contain lead but are compliant with EU RoHS pursuant to a specific EU RoHS exemption.

Green: TI defines "Green" to mean the content of Chlorine (Cl) and Bromine (Br) based flame retardants meet JS709B low halogen requirements of <=1000ppm threshold. Antimony trioxide based flame retardants must also meet the <=1000ppm threshold requirement.

(3) MSL, Peak Temp. - The Moisture Sensitivity Level rating according to the JEDEC industry standard classifications, and peak solder temperature.

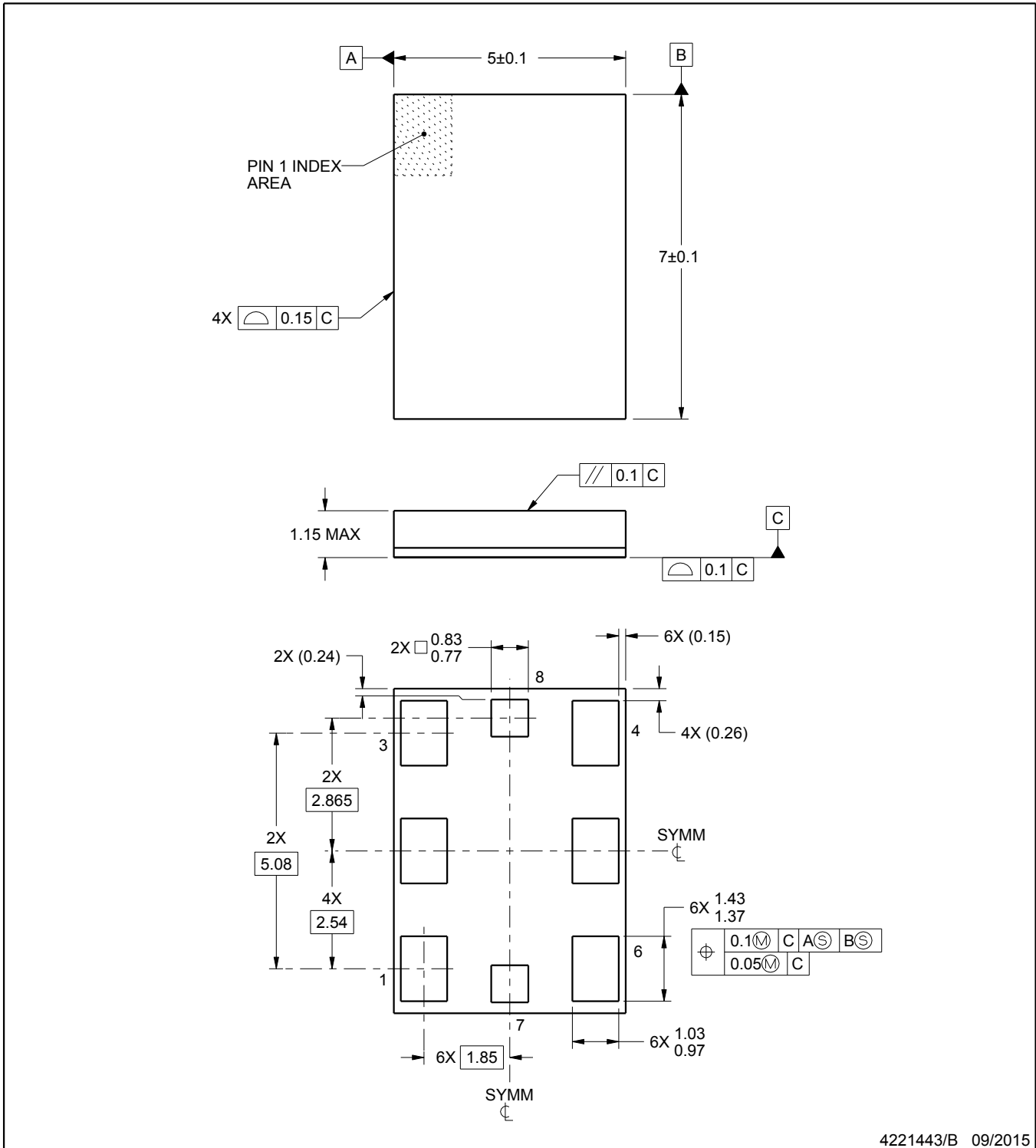
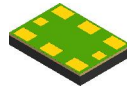
(4) There may be additional marking, which relates to the logo, the lot trace code information, or the environmental category on the device.

(5) Multiple Device Markings will be inside parentheses. Only one Device Marking contained in parentheses and separated by a "~" will appear on a device. If a line is indented then it is a continuation of the previous line and the two combined represent the entire Device Marking for that device.

(6) Lead finish/Ball material - Orderable Devices may have multiple material finish options. Finish options are separated by a vertical ruled line. Lead finish/Ball material values may wrap to two lines if the finish value exceeds the maximum column width.

Important Information and Disclaimer:The information provided on this page represents TI's knowledge and belief as of the date that it is provided. TI bases its knowledge and belief on information provided by third parties, and makes no representation or warranty as to the accuracy of such information. Efforts are underway to better integrate information from third parties. TI has taken and continues to take reasonable steps to provide representative and accurate information but may not have conducted destructive testing or chemical analysis on incoming materials and chemicals. TI and TI suppliers consider certain information to be proprietary, and thus CAS numbers and other limited information may not be available for release.

In no event shall TI's liability arising out of such information exceed the total purchase price of the TI part(s) at issue in this document sold by TI to Customer on an annual basis.



4221443/B 09/2015

NOTES:

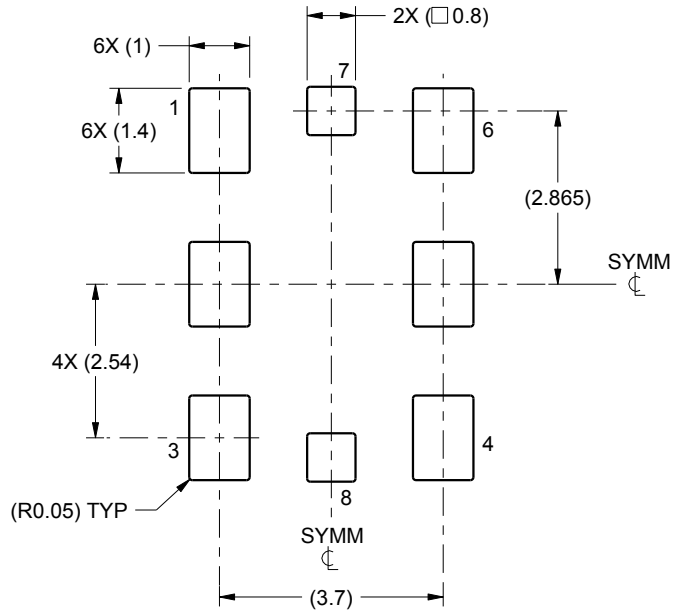
1. All linear dimensions are in millimeters. Any dimensions in parenthesis are for reference only. Dimensioning and tolerancing per ASME Y14.5M.
2. This drawing is subject to change without notice.

EXAMPLE BOARD LAYOUT

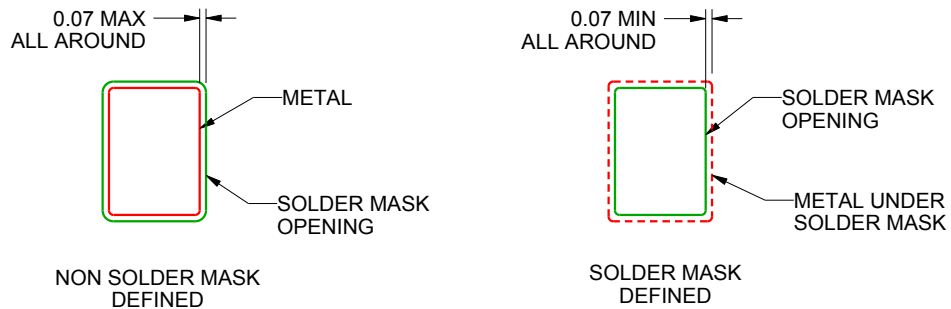
SIA0008B

QFM - 1.15 mm max height

QUAD FLAT MODULE



LAND PATTERN EXAMPLE
1:1 RATIO WITH PACKAGE SOLDER PADS
SCALE:8X



SOLDER MASK DETAILS
NOT TO SCALE

4221443/B 09/2015

NOTES: (continued)

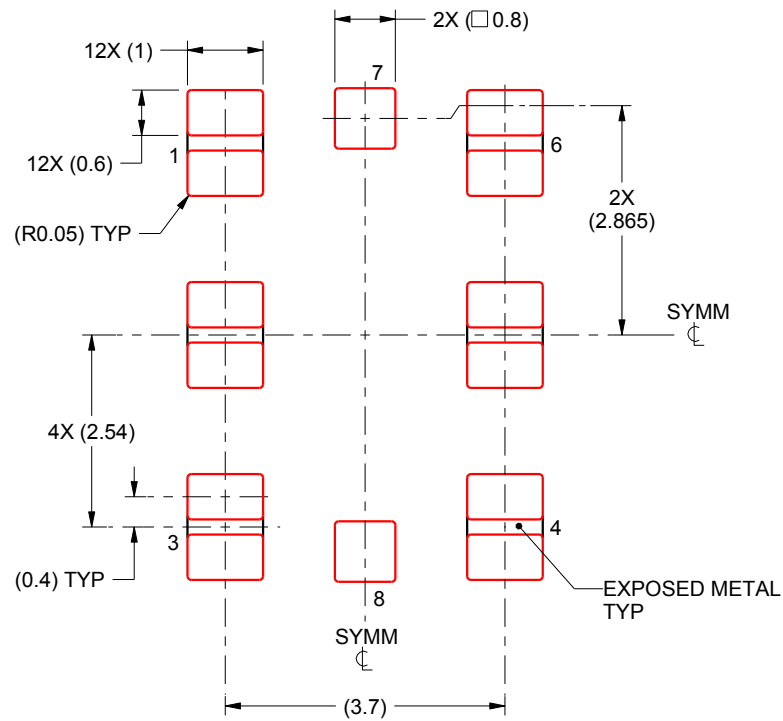
3. For more information, see Texas Instruments literature number SLUA271 (www.ti.com/lit/sluea271).

EXAMPLE STENCIL DESIGN

SIA0008B

QFM - 1.15 mm max height

QUAD FLAT MODULE



SOLDER PASTE EXAMPLE
 BASED ON 0.125 mm THICK STENCIL
 PRINTED SOLDER COVERAGE BY AREA
 PADS 1-3 & 4-6: 86%
 SCALE:10X

4221443/B 09/2015

NOTES: (continued)

4. Laser cutting apertures with trapezoidal walls and rounded corners may offer better paste release. IPC-7525 may have alternate design recommendations.

重要なお知らせと免責事項

TI は、技術データと信頼性データ(データシートを含みます)、設計リソース(リファレンス・デザインを含みます)、アプリケーションや設計に関する各種アドバイス、Web ツール、安全性情報、その他のリソースを、欠陥が存在する可能性のある「現状のまま」提供しており、商品性および特定目的に対する適合性の黙示保証、第三者の知的財産権の非侵害保証を含むいかなる保証も、明示的または黙示的にかかわらず拒否します。

これらのリソースは、TI 製品を使用する設計の経験を積んだ開発者への提供を意図したものです。(1) お客様のアプリケーションに適した TI 製品の選定、(2) お客様のアプリケーションの設計、検証、試験、(3) お客様のアプリケーションが適用される各種規格や、その他のあらゆる安全性、セキュリティ、またはその他の要件を満たしていることを確実にする責任を、お客様のみが単独で負うものとします。上記の各種リソースは、予告なく変更される可能性があります。これらのリソースは、リソースで説明されている TI 製品を使用するアプリケーションの開発の目的でのみ、TI はその使用をお客様に許諾します。これらのリソースに関して、他の目的で複製することや掲載することは禁止されています。TI や第三者の知的財産権のライセンスが付与されている訳ではありません。お客様は、これらのリソースを自身で使用した結果発生するあらゆる申し立て、損害、費用、損失、責任について、TI およびその代理人を完全に補償するものとし、TI は一切の責任を拒否します。

TI の製品は、TI の販売条件 (www.tij.co.jp/ja-jp/legal/termsofsale.html)、または ti.com やかかる TI 製品の関連資料などのいずれかを通じて提供する適用可能な条項の下で提供されています。TI がこれらのリソースを提供することは、適用される TI の保証または他の保証の放棄の拡大や変更を意味するものではありません。

Copyright © 2020, Texas Instruments Incorporated

日本語版 日本テキサス・インスツルメンツ株式会社