

TIC12400-Q1 24 入力マルチ・スイッチ検出インターフェイス (MSDI) 車載システム向け、ADC 内蔵、可変ウェット電流対応

1 特長

- 車載アプリケーション認定済み
- 下記内容で AEC-Q100 認定済み:
 - デバイス温度グレード 1: -40°C ~ 125°C の動作時周囲温度範囲
 - デバイス HBM ESD 分類レベル H2
 - デバイス CDM ESD 分類レベル C4B
- 機能安全対応
 - 機能安全システムの設計に役立つ資料を利用可能
- 過電圧および低電圧警告により、12V 車載システムをサポートするように設計
- 最大 24 の直接スイッチ入力を監視し、そのうち 10 の入力はグラウンドまたはバッテリーに接続されているスイッチを監視するよう構成可能
- スイッチ入力耐性は 40V (ロードダンプ状態) ~ -24V (逆極性状態)
- 設定可能な 6 つのウェット電流設定: (0mA, 1mA, 2mA, 5mA, 10mA, 15mA)
- 内蔵の 10 ビット ADC によるマルチポジション・アナログ・スイッチ監視
- デジタル・スイッチ監視用に 4 つのプログラマブル・スレッシュホールドを備えた内蔵コンパレータ
- 非常に小さいポーリング・モード動作電流: $68\mu\text{A}$ (標準値、 $t_{\text{POLL}} = 64\text{ms}$ 、 $t_{\text{POLL_ACT}} = 128\mu\text{s}$ 、24 の全入力にアクティブ、コンパレータ・モード、全スイッチがオープン)
- 3.3V/5V のシリアル・ペリフェラル・インターフェイス (SPI) プロトコルを使用して MCU に直接接続
- 割り込み生成により、すべての入力でウェークアップ動作をサポート
- バッテリーおよび温度センシングを内蔵
- 適切な外付け部品を使うことで、ISO-10605 に準拠した ESD 保護 (入力ピンに $\pm 8\text{kV}$ の接触放電) を実現可能
- 38 ピン TSSOP パッケージ

2 アプリケーション

- ボディ・コントロール・モジュールとゲートウェイ
- 車載ライティング
- 冷暖房
- パワー・シート
- ミラー

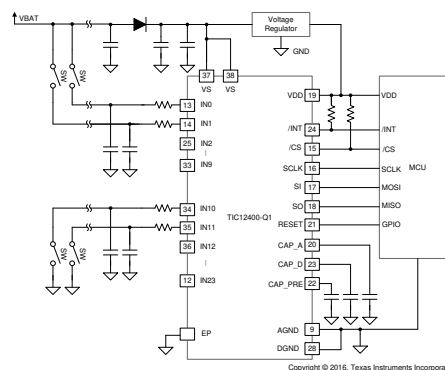
3 概要

TIC12400-Q1 は、12V 車載システムで外付けスイッチの状態を検出するように設計された、先進的なマルチ・スイッチ検出インターフェイス (MSDI) です。TIC12400-Q1 は、内蔵の 10 ビット ADC により、マルチポジション・アナログ・スイッチを監視し、コンパレータにより MCU から独立してデジタル・スイッチを監視します。ADC およびコンパレータの検出スレッシュホールドをプログラミングでき、さまざまなスイッチ・トポロジとシステムの非理想性をサポートします。このデバイスは、最大 24 の直接スイッチ入力を監視し、そのうち 10 の入力はグラウンドまたはバッテリーに接続されているスイッチを監視するよう構成できます。各入力で 6 つの固有のウェット電流設定をプログラミングでき、さまざまなアプリケーション・シナリオをサポートします。このデバイスは、すべてのスイッチ入力にウェークアップ動作をサポートするため、MCU を継続的にアクティブにしておく必要がなくなり、システムの消費電力を削減できます。また TIC12400-Q1 には、フォルト検出機能、ESD 保護機能、診断機能が統合されているため、システムの安定性も向上します。TIC12400-Q1 は、連続モードとポーリング・モードという 2 つの動作モードをサポートしています。連続モードでは、ウェット電流が継続的に供給されます。ポーリング・モードでは、プログラマブル・タイマに基づいてウェット電流が定期的にオンになり、入力状態をサンプリングするため、システムの消費電力を大幅に削減できます。

製品情報

部品番号	パッケージ(1)	本体サイズ (公称)
TIC12400-Q1	TSSOP (38)	9.70mm × 4.40mm

- (1) 利用可能なパッケージについては、このデータシートの末尾にある注文情報を参照してください。



概略回路図



Table of Contents

1 特長.....	1	8.6 Register Maps.....	48
2 アプリケーション.....	1	8.7 Programming Guidelines.....	115
3 概要.....	1	9 Application Information Disclaimer.....	118
4 Revision History.....	2	9.1 Application Information.....	118
5 Pin Configuration and Functions.....	3	9.2 Using TIC12400-Q1 in a 12 V Automotive System.....	118
6 Specifications.....	5	9.3 Resistor-coded Switches Detection in Automotive Body Control Module.....	120
6.1 Absolute Maximum Ratings.....	5	10 Power Supply Recommendations.....	124
6.2 ESD Ratings.....	5	11 Layout.....	125
6.3 Recommended Operating Conditions.....	5	11.1 Layout Guidelines.....	125
6.4 Thermal Information.....	6	11.2 Layout Example.....	126
6.5 Electrical Characteristics.....	6	12 Device and Documentation Support.....	127
6.6 Timing Requirements.....	10	12.1 Receiving Notification of Documentation Updates.....	127
6.7 Typical Characteristics.....	11	12.2 サポート・リソース.....	127
7 Parameter Measurement Information.....	13	12.3 Trademarks.....	127
8 Detailed Description.....	14	12.4 Electrostatic Discharge Caution.....	127
8.1 Overview.....	14	12.5 Glossary.....	127
8.2 Functional Block Diagram.....	15	13 Mechanical, Packaging, and Orderable Information.....	127
8.3 Feature Description.....	16		
8.4 Device Functional Modes.....	29		
8.5 Programming.....	45		

4 Revision History

資料番号末尾の英字は改訂を表しています。その改訂履歴は英語版に準じています。

Changes from Revision B (February 2020) to Revision C (February 2022)	Page
• 「特長」に「機能安全対応」を追加.....	1
• すべての古い用語をコントローラおよびレスポндаに変更.....	1

Changes from Revision A (September 2017) to Revision B (February 2020)	Page
• Added ADC error for 0 mA current setting in セクション 6.5 table.....	6
• Added RIN_SC spec for V_S above 7 V in セクション 6.5 table.....	6
• Added RIN_COMP spec for V_S above 7 V in セクション 6.5 table.....	6
• Changed WC_CFG0 for CSO and CSI in matrix mode in 表 8-59	115

Changes from Revision * (August 2017) to Revision A (September 2017)	Page
• Changed the I_{WETT} value in the <i>Electrical Characteristics</i> table.....	6
• Changed From: $4.5\text{ V} \leq V_S \leq 5\text{ V}$ To: $4.5\text{ V} \leq V_S < 5.5\text{ V}$ in 図 6-6	11
• Changed From: $4.5\text{ V} \leq V_S \leq 35\text{ V}$ To: $5.5\text{ V} \leq V_S \leq 35\text{ V}$ in 図 6-7	11
• Changed the <i>Microcontroller Wake-Up</i> section, and 図 8-9	24
• Changed 表 9-5	122
• Changed text in list item 2 From: <i>current ranging between 4.3 mA and 5.6 mA</i> . To: <i>current ranging between 4.5 mA and 5.5 mA (for $V_S - I_{NX} \geq 3\text{ V}$ condition)</i>	122

5 Pin Configuration and Functions

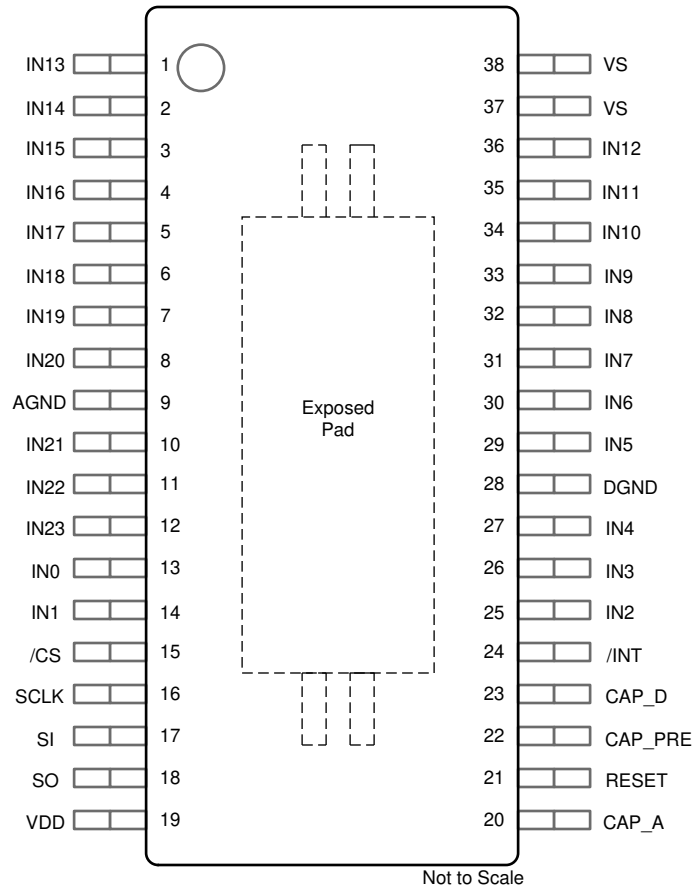


FIG 5-1. DCP (TSSOP) Package, 38-Pin, Top View

Pin Functions

PIN		TYPE ⁽¹⁾	DESCRIPTION
NO.	NAME		
1	IN13	I/O	Ground switch monitoring input with current source.
2	IN14	I/O	Ground switch monitoring input with current source.
3	IN15	I/O	Ground switch monitoring input with current source.
4	IN16	I/O	Ground switch monitoring input with current source.
5	IN17	I/O	Ground switch monitoring input with current source.
6	IN18	I/O	Ground switch monitoring input with current source.
7	IN19	I/O	Ground switch monitoring input with current source.
8	IN20	I/O	Ground switch monitoring input with current source.
9	AGND	P	Ground for analog circuitry.
10	IN21	I/O	Ground switch monitoring input with current source.
11	IN22	I/O	Ground switch monitoring input with current source.
12	IN23	I/O	Ground switch monitoring input with current source.
13	IN0	I/O	Ground/V _{BAT} switch monitoring input with configurable current sink or source.
14	IN1	I/O	Ground/V _{BAT} switch monitoring input with configurable current sink or source.
15	\overline{CS}	I	Active-low input. Chip select from the controller for the SPI Interface.
16	SCLK	I	Serial clock output from the controller for the SPI Interface.
17	SI	I	Serial data input for the SPI Interface.
18	SO		
19	VDD		
20	CAP_A		
21	RESET		
22	CAP_PRE		
23	CAP_D		
24	/INT		
25	IN2		
26	IN3		
27	IN4		
28	DGND		
29	IN5		
30	IN6		
31	IN7		
32	IN8		
33	IN9		
34	IN10		
35	IN11		
36	IN12		
37	VS		
38	VS		

Pin Functions (continued)

PIN		TYPE ⁽¹⁾	DESCRIPTION
NO.	NAME		
18	SO	O	Serial data output for the SPI Interface.
19	V _{DD}	P	3.3 V to 5.0 V logic supply for the SPI communication. The SPI I/Os are not fail-safe protected: VDD needs to be present during any SPI traffic to avoid excessive leakage currents and corrupted SPI I/O logic levels.
20	CAP_A	I/O	External capacitor connection for the analog LDO. Use capacitance value of 100 nF.
21	RESET	I	Keep RESET low for normal operation and drive RESET high and release it to perform a hardware reset of the device. The RESET pin is connected to ground via a 1MΩ pull-down resistor. If not used, the RESET pin shall be grounded to avoid any accidental device reset due to coupled noise onto this pin.
22	CAP_Pre	I/O	External capacitor connection for the pre-regulator. Use capacitance value of 1 μF.
23	CAP_D	I/O	External capacitor connection for the digital LDO. Use capacitance value of 100 nF.
24	INT	O	Open drain output. Pulled low (internally) upon change of state on the input or occurrence of a special event.
25	IN2	I/O	Ground/V _{BAT} switch monitoring input with configurable current sink or source.
26	IN3	I/O	Ground/V _{BAT} switch monitoring input with configurable current sink or source.
27	IN4	I/O	Ground/V _{BAT} switch monitoring input with configurable current sink or source.
28	DGND	P	Ground for digital circuitry.
29	IN5	I/O	Ground/V _{BAT} switch monitoring input with configurable current sink or source.
30	IN6	I/O	Ground/V _{BAT} switch monitoring input with configurable current sink or source.
31	IN7	I/O	Ground/V _{BAT} switch monitoring input with configurable current sink or source.
32	IN8	I/O	Ground/V _{BAT} switch monitoring input with configurable current sink or source.
33	IN9	I/O	Ground/V _{BAT} switch monitoring input with configurable current sink or source.
34	IN10	I/O	Ground switch monitoring input with current source.
35	IN11	I/O	Ground switch monitoring input with current source.
36	IN12	I/O	Ground switch monitoring input with current source.
37	V _S	P	Power supply input pin.
38	V _S	P	Power supply input pin.
---	EP	P	Exposed Pad. The exposed pad is not electrically connected to AGND or DGND. Connect EP to the board ground to achieve rated thermal and ESD performance.

(1) I = input, O = output, I/O = input and output, P = power.

6 Specifications

6.1 Absolute Maximum Ratings

Over operating free-air temperature range (unless otherwise noted).⁽¹⁾

		MIN	MAX	UNIT
Input voltage	V _S , INT	-0.3	40 ⁽²⁾	V
	V _{DD} , SCLK, SI, SO, CS, RESET	-0.3	6	V
	IN0- IN23	-24	40 ⁽²⁾	V
	CAP_Pre	-0.3	5.5	V
	CAP_A	-0.3	5.5	V
	CAP_D	-0.3	2	V
Operating junction temperature, T _J		-40	150	°C
Storage temperature, T _{stg}		-55	155	°C

- Stresses beyond those listed under *Absolute Maximum Ratings* may cause permanent damage to the device. These are stress ratings only, which do not imply functional operation of the device at these or any other conditions beyond those indicated under *Recommended Operating Conditions*. Exposure to absolute-maximum-rated conditions for extended periods may affect device reliability.
- Tested for load dump and jump start conditions with nominal operating voltage no greater than 16 V for the life of a 12-V automotive system. Refer to [セクション 9.2](#) for more details.

6.2 ESD Ratings

			VALUE	UNIT		
V _(ESD)	Electrostatic discharge	Human-body model (HBM), per AEC Q100-002 ⁽¹⁾	All pins	±2000	V	
			Pins IN0-IN23 ⁽²⁾	±4000		
		Charged-device model (CDM), per AEC Q100-011	All pins	±500		
			Corner pins (pin 1, 19, 20 and 38)	±750		
		Contact discharge, un-powered, per ISO- 10605:	Pins IN0-IN23	±8000		V
		<ul style="list-style-type: none"> External components: capacitor = 15 nF; resistor = 10 Ω ESD generator parameters: storage capacitance = 150 pF; discharge resistance = 330 Ω or 2000 Ω 				
Contact discharge, powered-up, per ISO- 10605:	Pins IN0-IN23	±8000	V			
<ul style="list-style-type: none"> External components: capacitor = 15 nF; resistor = 33 Ω ESD generator parameters: storage capacitance = 150 pF or 330pF; discharge resistance = 330 Ω or 2000 Ω 						

- AEC Q100-002 indicates that HBM stressing shall be in accordance with the ANSI/ESDA/JEDEC JS-001 specification.
- ±4-kV rating on pins IN0-IN23 are stressed with respect to GND (with AGND, DGND, and EP tied together).

6.3 Recommended Operating Conditions

Over operating free-air temperature range and V_S = 12 V (unless otherwise noted).

		MIN	NOM	MAX	UNIT
V _S	Power supply voltage	4.5		35 ⁽²⁾	V
V _{DD}	Logic supply voltage	3.0		5.5	V
V _{INT}	INT pin voltage	0		35 ⁽²⁾	V
V _{INX}	IN0 to IN23 input voltage	0		35 ⁽²⁾	V
V _{RESET}	RESET pin voltage	0		5.5	V
V _{SPI_IO}	SPI input/output logic level	0		V _{DD}	V
f _{SPI}	SPI communication frequency	20 ⁽¹⁾		4M	Hz
T _A	Operating free-air temperature	-40		125	°C

- Lowest frequency characterized.
- Tested for load dump and jump start conditions with nominal operating voltage no greater than 16-V for the life of a 12-V automotive system. Refer to [セクション 9.2](#) for more details.

6.4 Thermal Information

THERMAL METRIC ⁽¹⁾		TIC12400-Q1	UNIT
		DCP (TSSOP)	
		38 PINS	
R _{θJA}	Junction-to-ambient thermal resistance	33.6	°C/W
R _{θJC(top)}	Junction-to-case (top) thermal resistance	18.4	°C/W
R _{θJB}	Junction-to-board thermal resistance	15.2	°C/W
ψ _{JT}	Junction-to-top characterization parameter	0.5	°C/W
ψ _{JB}	Junction-to-board characterization parameter	15.0	°C/W
R _{θJC(bot)}	Junction-to-case (bottom) thermal resistance	1.2	°C/W

(1) For more information about traditional and new thermal metrics, see the [Semiconductor and IC Package Thermal Metrics](#) application report.

6.5 Electrical Characteristics

Over operating free-air temperature range, V_S = 4.5 V to 35 V, and V_{DD} = 3 V to 5.5 V (unless otherwise noted).

PARAMETER		TEST CONDITIONS		MIN	TYP	MAX	UNIT
POWER SUPPLY							
I _{S_CONT}	Continuous mode V _S power supply current	Continuous mode, I _{WETT} = 10 mA, all switches open, no active ADC conversion or comparator comparison, no unserviced interrupt			5.6	7	mA
I _{S_POLL_COMP_25}	Polling mode V _S power supply average current in comparator mode	T _A = 25°	Polling mode, t _{POLL} = 64 ms, t _{POLL_ACT} = 128 μs, all 24 channels active and configured to comparator mode, all switches open, I _{WETT} = 10 mA, no unserviced interrupt		68	100	μA
I _{S_POLL_COMP_85}		T _A = -40° to 85°C			68	110	μA
I _{S_POLL_COMP}		T _A = -40° to 125°C			68	170	μA
I _{S_POLL_ADC_25}	Polling mode V _S power supply average current in ADC mode	T _A = 25°	Polling mode, t _{POLL} = 64 ms, t _{POLL_ACT} = 128 μs, all 24 channels active and configured to ADC mode, all switches open, I _{WETT} = 10 mA, no unserviced interrupt		75	105	μA
I _{S_POLL_ADC_85}		T _A = -40° to 85°C			75	120	μA
I _{S_POLL_ADC}		T _A = -40° to 125°C			75	180	μA
I _{S_RESET}	Reset mode V _S power supply current	Reset mode, V _{RESET} = V _{DD} , V _S = 12 V, all switches open, T _A = 25°C			12	17	μA
I _{S_IDLE_25}	V _S power supply average current in idle state	TRIGGER bit in CONFIG register = logic 0, T _A = 25°C, no unserviced interrupt			50	75	μA
I _{S_IDLE_85}		TRIGGER bit in CONFIG register = logic 0, T _A = -40°C to 85°C, no unserviced interrupt			50	95	μA
I _{S_IDLE}		TRIGGER bit in CONFIG register = logic 0, T _A = -40°C to 125°C, no unserviced interrupt			50	145	μA
I _{DD}	Logic supply current from V _{DD}	SCLK = SI = 0 V, \overline{CS} = \overline{INT} = V _{DD} , no SPI communication			1.5	10	μA
V _{POR_R}	Power on reset (POR) voltage for V _S	Threshold for rising V _S from device OFF condition resulting in \overline{INT} pin assertion and a flagged POR bit in the INT_STAT register		3.85		4.5	V
V _{POR_F}		Threshold for falling V _S from device normal operation to reset mode and loss of SPI communication		1.95		2.8	V
V _{OV_R}	Over-voltage (OV) condition for V _S	Threshold for rising V _S from device normal operation resulting in \overline{INT} pin assertion and a flagged OV bit in the INT_STAT register		35		40	V
V _{OV_HYST}	Over-voltage (OV) condition hysteresis for V _S			1		3.5	V
V _{UV_R}	Under-voltage (UV) condition for V _S	Threshold for rising V _S from under-voltage condition resulting in \overline{INT} pin assertion and a flagged UV bit in the INT_STAT register		3.85		4.5	V
V _{UV_F}		Threshold for falling V _S from under-voltage condition resulting in \overline{INT} pin assertion and a flagged UV bit in the INT_STAT register		3.7		4.4	V
V _{UV_HYST}	Under-voltage (UV) condition hysteresis for V _S ⁽¹⁾			75		275	mV
V _{DD_F}		Threshold for falling V _{DD} resulting in loss of SPI communication		2.5		2.9	V
V _{DD_HYST}	Valid V _{DD} voltage hysteresis			50		150	mV

6.5 Electrical Characteristics (continued)

Over operating free-air temperature range, $V_S = 4.5\text{ V}$ to 35 V , and $V_{DD} = 3\text{ V}$ to 5.5 V (unless otherwise noted).

PARAMETER		TEST CONDITIONS		MIN	TYP	MAX	UNIT
WETTING CURRENT ACCURACY (DIGITAL SWITCHES, MAXIMUM RESISTANCE VALUE WITH SWITCH CLOSED $\leq 100\Omega$, MINIMUM RESISTANCE VALUE WITH SWITCH OPEN $\geq 5000\Omega$)							
I_{WETT} (CSO)	Wetting current accuracy for CSO (switch closed)	1 mA setting	$4.5\text{ V} \leq V_S \leq 35\text{ V}$	0.84	1	1.14	mA
		2 mA setting		1.71	2	2.32	
		5 mA setting	$4.5\text{ V} \leq V_S < 5\text{ V}$	2.39		5.5	
			$5\text{ V} \leq V_S \leq 35\text{ V}$	4.3	5	5.6	
		10 mA setting	$4.5\text{ V} \leq V_S < 6\text{ V}$	2.4		11	
			$6\text{ V} \leq V_S \leq 35\text{ V}$	8.4	10	11.4	
15 mA setting	$4.5\text{ V} \leq V_S < 6.5\text{ V}$	2.4		16.5			
	$6.5\text{ V} \leq V_S \leq 35\text{ V}$	12.5	15	17			
I_{WETT} (CSI)	Wetting current accuracy for CSI (switch closed)	1 mA setting	$4.5\text{ V} \leq V_S \leq 35\text{ V}$	0.75	1.1	2.05	mA
		2 mA setting		1.6	2.2	3.3	
		5 mA setting		4.3	5.6	7.1	
		10 mA setting		9.2	11.5	13.4	
		15 mA setting	$4.5\text{ V} \leq V_S < 6\text{ V}$	11	16.5	19.2	
$6\text{ V} \leq V_S \leq 35\text{ V}$	13.7		16.5	19.2			
$V_{CSI_DROP_OPEN}$	Voltage drop from IN_x pin to AGND across CSI (switch open)	10 mA setting, $R_{SW} = 5\text{ k}\Omega$	$4.5\text{ V} \leq V_S \leq 35\text{ V}$			1.7	V
		15 mA setting, $R_{SW} = 5\text{ k}\Omega$				1.7	
$V_{CSI_DROP_CLOSED}$	Voltage drop from IN_x pin to ground across CSI (switch closed)	2 mA setting, $I_{IN} = 1\text{ mA}$ ($4.5\text{ V} \leq V_S \leq 35\text{ V}$)	$4.5\text{ V} \leq V_S \leq 35\text{ V}$			1.2	V
		5 mA setting, $I_{IN} = 1\text{ mA}$ or 2 mA				1.3	V
		10 mA setting, $I_{IN} = 1\text{ mA}$, 2 mA , or 5 mA				1.5	V
		15 mA setting, $I_{IN} = 1\text{ mA}$, 2 mA , 5 mA , or 10 mA				2.1	V
WETTING CURRENT ACCURACY (ANALOG SWITCHES)							
I_{WETT}	Wetting current accuracy	1 mA setting	$4.5\text{ V} \leq V_S \leq 35\text{ V}$, $V_S - V_{INX} \geq 2.5\text{ V}$	0.88	1	1.13	mA
		2 mA setting		1.8	2	2.25	
		5 mA setting	$5.5\text{ V} \leq V_S \leq 35\text{ V}$, $V_S - V_{INX} \geq 2.5\text{ V}$	4.3	5	5.5	
			$5.5\text{ V} \leq V_S \leq 35\text{ V}$, $V_S - V_{INX} \geq 3\text{ V}$	4.5	5	5.5	
		10 mA setting	$6\text{ V} \leq V_S \leq 35\text{ V}$, $V_S - V_{INX} \geq 4\text{ V}$	9	10	11	
15 mA setting	$6.5\text{ V} \leq V_S \leq 35\text{ V}$, $V_S - V_{INX} \geq 5\text{ V}$	12.5	15	16.5			
LEAKAGE CURRENTS							
$I_{IN_LEAK_OFF}$	Leakage current at input IN_x when channel is disabled	$0\text{ V} \leq V_{INX} \leq V_S$, channel disabled (EN_ IN_x register bit= logic 0)		-4		5.3	μA
$I_{IN_LEAK_OFF_25}$		$0\text{ V} \leq V_{INX} \leq V_S$, channel disabled (EN_ IN_x register bit= logic 0), $T_A = 25^\circ\text{C}$		-0.5		0.5	
$I_{IN_LEAK_0mA}$	Leakage current at input IN_x when wetting current setting is 0mA	$0\text{ V} \leq V_{INX} \leq 6\text{ V}$, $6\text{ V} \leq V_S \leq 35\text{ V}$, I_{WETT} setting = 0 mA		-110		110	μA
						μA	
$I_{IN_LEAK_LOSS_OF_GND}$	Leakage current at input IN_x under loss of GND condition	$V_S = 24\text{ V}$, $0\text{ V} \leq V_{INX} \leq 24\text{ V}$, all grounds (AGND, DGND, and EP) = 24 V , V_{DD} shorted to the grounds ⁽¹⁾		-5			μA
$I_{IN_LEAK_LOSS_OF_VS}$	Leakage current at input IN_x under loss of V_S condition	$0\text{ V} \leq V_{INX} \leq 24\text{ V}$, V_S shorted to the grounds = 0 V , $V_{DD} = 0\text{ V}$				5	μA
LOGIC LEVELS							
V_{INT_L}	INT output low voltage	$I_{INT} = 2\text{ mA}$				0.35	V
		$I_{INT} = 4\text{ mA}$				0.6	

6.5 Electrical Characteristics (continued)

Over operating free-air temperature range, $V_S = 4.5\text{ V}$ to 35 V , and $V_{DD} = 3\text{ V}$ to 5.5 V (unless otherwise noted).

PARAMETER		TEST CONDITIONS		MIN	TYP	MAX	UNIT
V_{SO_L}	SO output low voltage	$I_{SO} = 2\text{ mA}$				$0.2V_{DD}$	V
V_{SO_H}	SO output high voltage	$I_{SO} = -2\text{ mA}$		$0.8V_{DD}$			V
V_{IN_L}	SI, SCLK, and \overline{CS} input low voltage				$0.3V_{DD}$		V
V_{IN_H}	SI, SCLK, and \overline{CS} input high voltage			$0.7V_{DD}$			V
V_{RESET_L}	RESET input low voltage					0.8	V
V_{RESET_H}	RESET input high voltage			1.6			V
R_{RESET_25}	RESET pin internal pull-down resistor	$V_{RESET} = 0$ to 5.5 V , $T_A = 25^\circ\text{C}$		0.85	1.25	1.7	M Ω
R_{RESET}		$V_{RESET} = 0$ to 5.5 V , $T_A = -40^\circ$ to 125°C		0.2		2.1	
SWITCH INPUT AND V_S MEASUREMENT CONVERSION PARAMETERS							
RES	Resolution			10			Bits
V_{OFFSET}	ADC Offset error	0 mA setting		-1	0	1	LSB
V_{FSE}	ADC Full-scale error	0 mA setting		-10	0	10	LSB
OUT_{SW}	Switch input conversion output	1 mA setting	$4.5\text{ V} \leq V_S \leq 35\text{ V}$, 100 Ω resistance to ground at INx	12	17	26	LSB
			$4.5\text{ V} \leq V_S \leq 35\text{ V}$, 300 Ω resistance to ground at INx	42	51	64	
			$4.5\text{ V} \leq V_S \leq 35\text{ V}$, 600 Ω resistance to ground at INx	87	102	122	
		2 mA setting	$4.5\text{ V} \leq V_S \leq 35\text{ V}$, 100 Ω resistance to ground at INx	28	34	45	LSB
			$4.5\text{ V} \leq V_S \leq 35\text{ V}$, 300 Ω resistance to ground at INx	89	102	122	
			$4.5\text{ V} \leq V_S \leq 35\text{ V}$, 600 Ω resistance to ground at INx	181	205	236	
		5 mA setting	$5\text{ V} \leq V_S \leq 35\text{ V}$, 100 Ω resistance to ground at INx	72	85	105	LSB
			$5\text{ V} \leq V_S \leq 35\text{ V}$, 300 Ω resistance to ground at INx	223	256	296	
			$5\text{ V} \leq V_S \leq 35\text{ V}$, 600 Ω resistance to ground at INx	393	512	620	
		10 mA setting	$6\text{ V} \leq V_S \leq 35\text{ V}$, 100 Ω resistance to ground at INx	142	171	202	LSB
			$6\text{ V} \leq V_S \leq 35\text{ V}$, 250 Ω resistance to ground at INx	333	427	486	
			$6\text{ V} \leq V_S \leq 35\text{ V}$, 400 Ω resistance to ground at INx	430	683	823	
		15 mA setting	$6.5\text{ V} \leq V_S \leq 35\text{ V}$, 100 Ω resistance to ground at INx	166	256	301	LSB
			$6.5\text{ V} \leq V_S \leq 35\text{ V}$, 200 Ω resistance to ground at INx	325	512	582	
			$6.5\text{ V} \leq V_S \leq 35\text{ V}$, 300 Ω resistance to ground at INx	450	768	879	
OUT_{VS}	V_S measurement output tolerance to full-scale range	V_S measurements ($V_S \geq 4.5\text{ V}$), $VS_RATIO = 0$ in register CONFIG				$\pm 2\%$	
		V_S measurements ($V_S \geq 4.5\text{ V}$), $VS_RATIO = 1$ in register CONFIG				$\pm 2\%$	
V_{FSR}	Input full-scale range	INx measurements			6		V
		V_S measurements ($V_S \geq 4.5\text{ V}$), $VS_RATIO = 0$ in register CONFIG			9		
		V_S measurements ($V_S \geq 4.5\text{ V}$), $VS_RATIO = 1$ in register CONFIG			30		
R_{IN_SC}	Input resistance	INx measurements			240		k Ω
	ADC Equivalent input resistance, V_S above 7 V	Input switch measurement, $I_{LOAD} = 30\text{ }\mu\text{A}$		135	234	356	k Ω

6.5 Electrical Characteristics (continued)

Over operating free-air temperature range, $V_S = 4.5\text{ V}$ to 35 V , and $V_{DD} = 3\text{ V}$ to 5.5 V (unless otherwise noted).

PARAMETER		TEST CONDITIONS	MIN	TYP	MAX	UNIT
R _{IN, COMP}	ADC Equivalent input resistance, V_S above 7 V	THRES_COMP Setting = 2 V	88	130	172	kΩ
		THRES_COMP Setting = 2.7 V	85	126	170	
		THRES_COMP Setting = 3 V	73	105	137	
		THRES_COMP Setting = 4 V	68	95	124	
R _{RATIO}	Input voltage divider factor ⁽¹⁾	INx measurements		2		-
		V_S measurements ($V_S \geq 4.5\text{ V}$), VS_RATIO = 0 in register CONFIG		3		-
		V_S measurements ($V_S \geq 4.5\text{ V}$), VS_RATIO = 1 in register CONFIG		10		-
COMPARATOR PARAMETERS						
V _{TH, COMP_2V}	Comparator threshold for 2 V	THRES_COMP = 2 V	1.85		2.25	V
V _{TH, COMP_2p7V}	Comparator threshold for 2.7 V	THRES_COMP = 2.7 V	2.4		2.9	V
V _{TH, COMP_3V}	Comparator threshold for 3 V	THRES_COMP = 3 V	2.85		3.3	V
V _{TH, COMP_4V}	Comparator threshold for 4 V	THRES_COMP = 4 V	3.7		4.35	V
V _{S, COMP}	Minimum V_S requirement for proper detection	THRES_COMP = 2 V	4.5			V
		THRES_COMP = 2.7 V	5			
		THRES_COMP = 3 V	5.5			
		THRES_COMP = 4 V	6.5			
R _{IN, COMP}	Comparator equivalent input resistance	THRES_COMP = 2 V	30	130		kΩ
		THRES_COMP = 2.7 V	35	130		
		THRES_COMP = 3 V	35	105		
		THRES_COMP = 4 V	43	95		

(1) Verified by design.

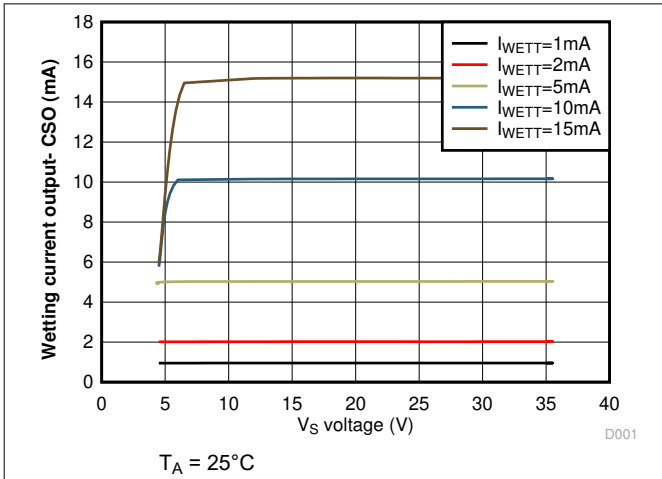
6.6 Timing Requirements

$V_S = 4.5\text{ V}$ to 35 V , $V_{DD} = 3\text{ V}$ to 5.5 V , and 10 pF capacitive load on SO unless otherwise noted; verified by design and characterization.

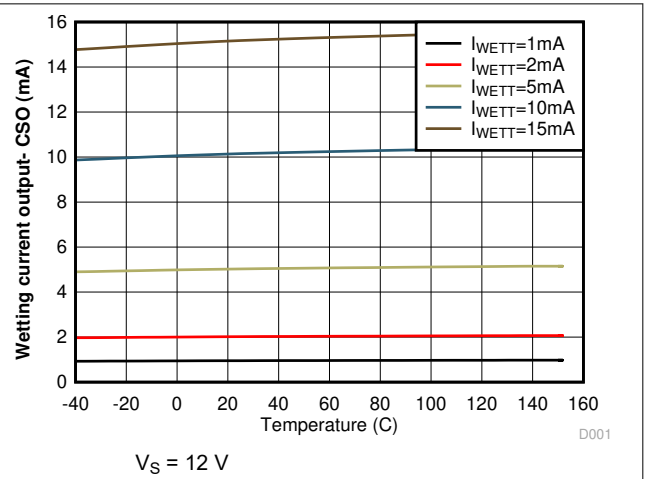
PARAMETER		TEST CONDITION	MIN	NOM	MAX	UNIT
SWITCH MONITORING, INTERRUPT, STARTUP AND RESET						
$t_{\text{POLL_ACT}}$	Polling active time accuracy	Polling mode	-12%		12%	
$t_{\text{POLL_ACT_M}}$	Polling active time accuracy for matrix inputs	Polling mode with matrix enabled	-12%		12%	
t_{POLL}	Polling time accuracy	Polling mode	-12%		12%	
t_{COMP}	Comparator detection time			18		μs
t_{ADC}	ADC Conversion time	Sample and hold time included		24		μs
$t_{\text{CCP_TRAN}}$	Transition time between last input sampling and start of clean current			20		μs
$t_{\text{CCP_ACT}}$	Clean current active time		-12%		12%	
t_{STARTUP}	Polling startup time		200	300	400	μs
$t_{\text{INT_ACTIVE}}$	Active $\overline{\text{INT}}$ assertion duration		1.5	2	2.5	ms
$t_{\text{INT_INACTIVE}}$	$\overline{\text{INT}}$ de-assertion duration during a pending interrupt		3	4	5	ms
$t_{\text{INT_IDLE}}$	Interrupt idle time		80	100	120	μs
t_{RESET}	Time required to keep the RESET pin high to successfully reset the device (no pending interrupt) ⁽¹⁾		2			μs
t_{REACT}	Delay between a fault event (OV, UV, TW, or TSD) to a high to low transition on the $\overline{\text{INT}}$ pin	See 7-2 for OV example.			20	μs
SPI INTERFACE						
t_{LEAD}	Falling edge of $\overline{\text{CS}}$ to rising edge of SCLK setup time		100			ns
t_{LAG}	Falling edge of SCLK to rising edge of $\overline{\text{CS}}$ setup time		100			ns
t_{SU}	SI to SCLK falling edge setup time		30			ns
t_{HOLD}	SI hold time after falling edge of SCLK		20			ns
t_{VALID}	Time from rising edge of SCLK to valid SO data				70	ns
$t_{\text{SO(EN)}}$	Time from falling edge of $\overline{\text{CS}}$ to SO low-impedance				60	ns
$t_{\text{SO(DIS)}}$	Time from rising edge of $\overline{\text{CS}}$ to SO high-impedance	Loading of $1\text{ k}\Omega$ to GND. See 7-3 .			60	ns
t_{R}	SI, $\overline{\text{CS}}$, and SCLK signals rise time			5	30	ns
t_{F}	SI, $\overline{\text{CS}}$, and SCLK signals fall time			5	30	ns
$t_{\text{INTER_FRAME}}$	Delay between two SPI communication ($\overline{\text{CS}}$ low) sequences		1.5			μs
t_{CKH}	SCLK High time		120			ns
t_{CKL}	SCLK Low time		120			ns
$t_{\text{INITIATION}}$	Delay between valid V_{DD} voltage and initial SPI communication		45			μs

(1) If there is a pending interrupt ($\overline{\text{INT}}$ pin asserted low), it can take up to 1ms for the device to complete the reset.

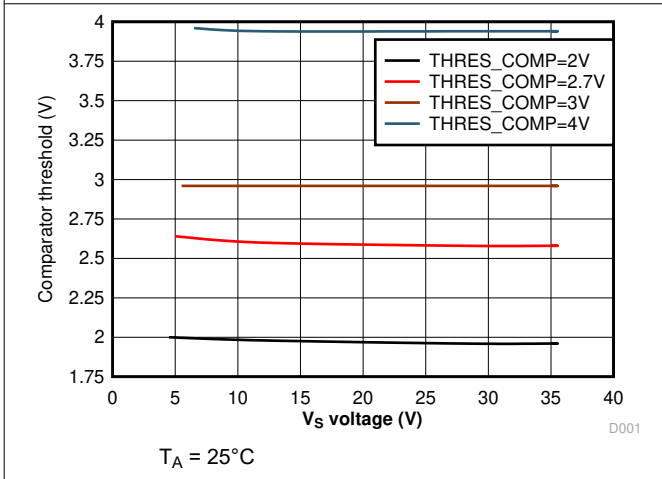
6.7 Typical Characteristics



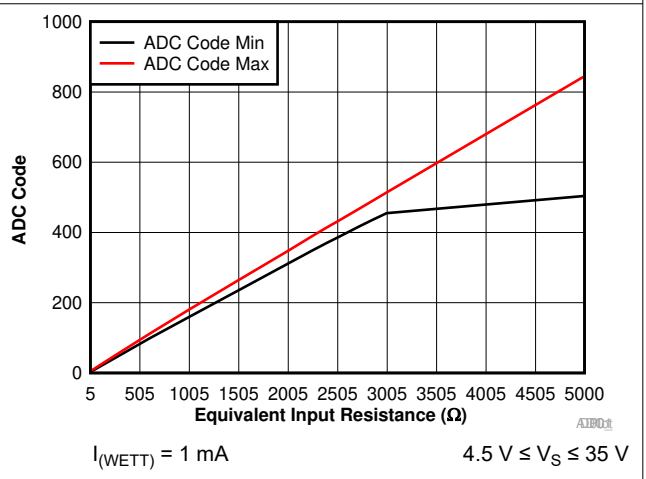
6-1. Wetting Current Output - CSO vs. V_S Voltage



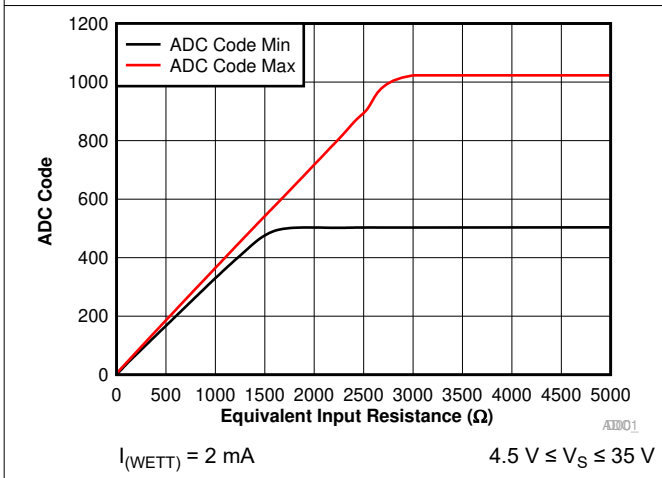
6-2. Wetting Current Output - CSO vs. Temperature



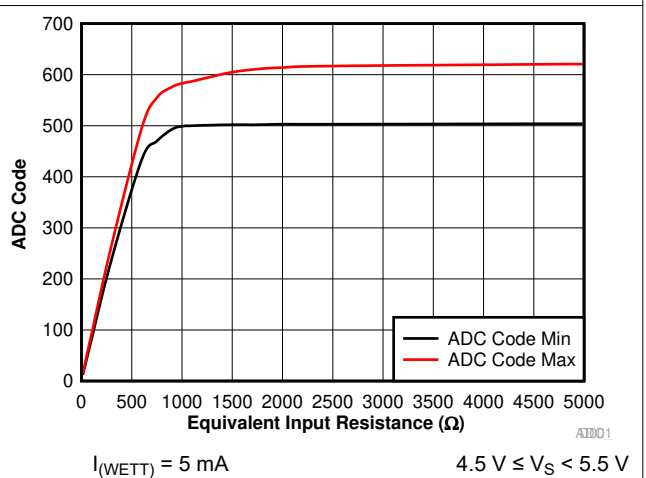
6-3. Comparator Threshold vs. V_S Voltage



6-4. ADC Code vs. Equivalent Input Resistance

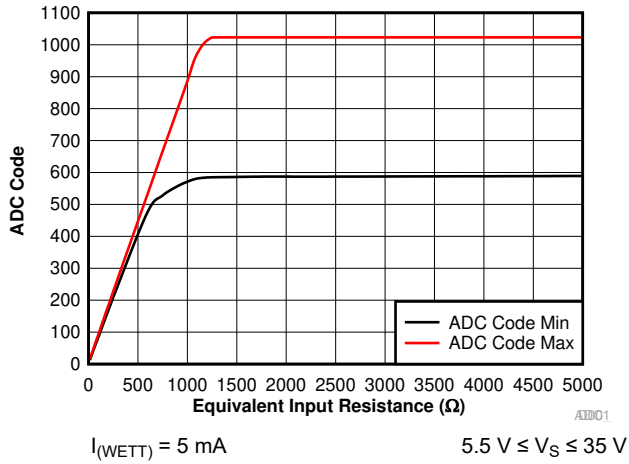


6-5. ADC Code vs. Equivalent Input Resistance

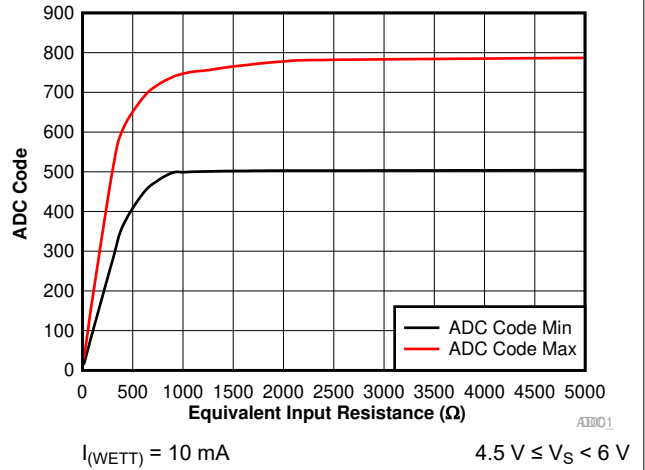


6-6. ADC Code vs. Equivalent Input Resistance

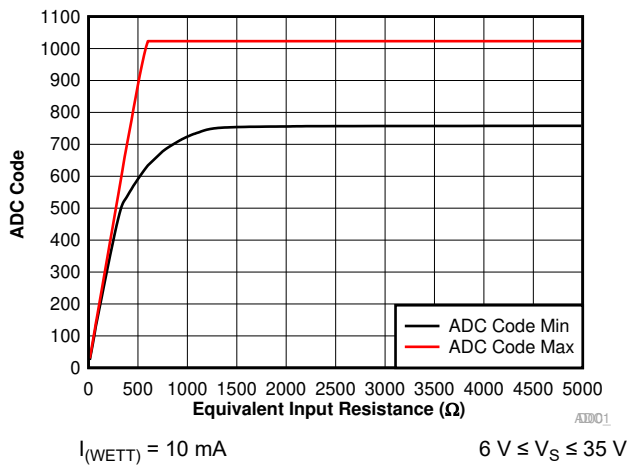
6.7 Typical Characteristics (continued)



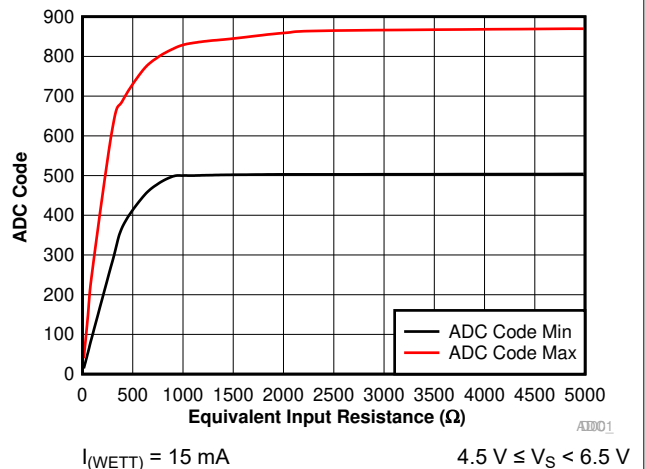
6-7. ADC Code vs. Equivalent Input Resistance



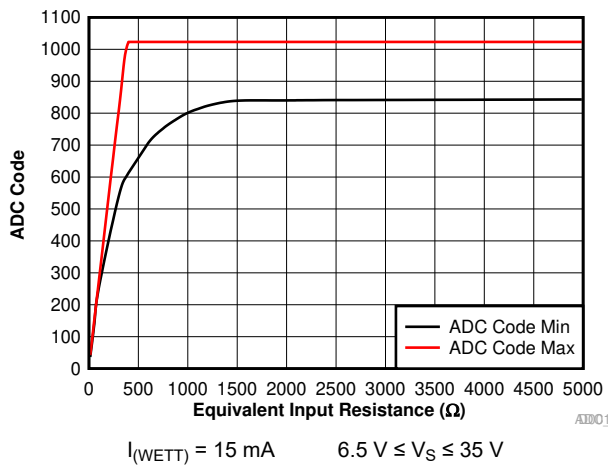
6-8. ADC Code vs. Equivalent Input Resistance



6-9. ADC Code vs. Equivalent Input Resistance

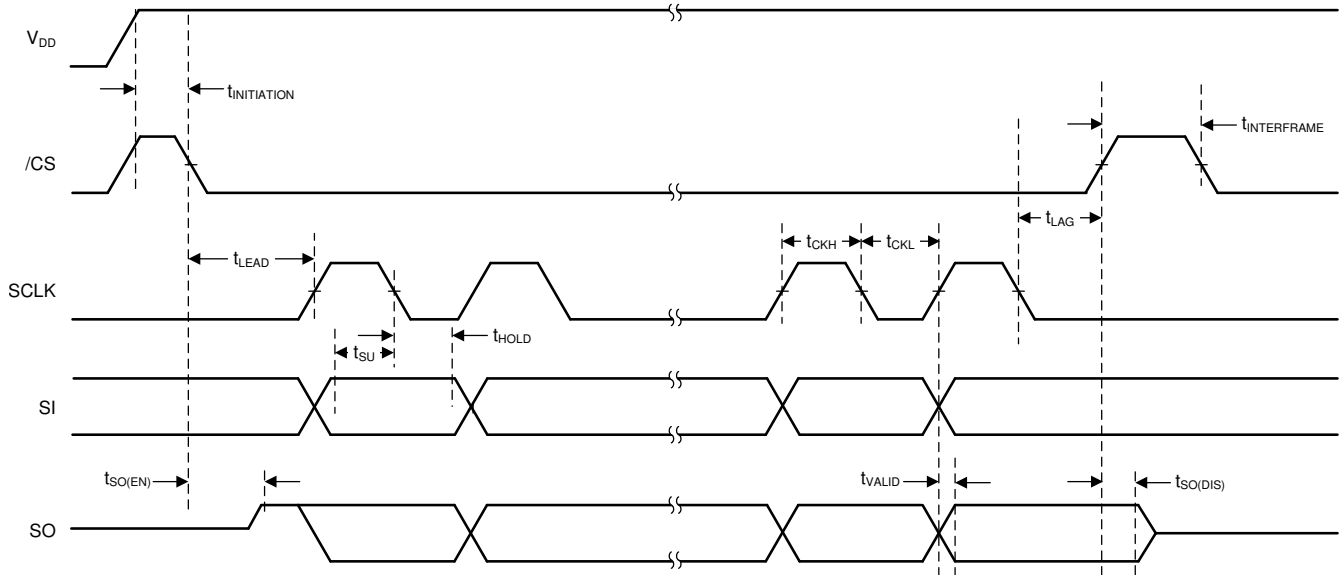


6-10. ADC Code vs. Equivalent Input Resistance

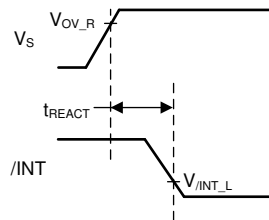


6-11. ADC Code vs. Equivalent Input Resistance

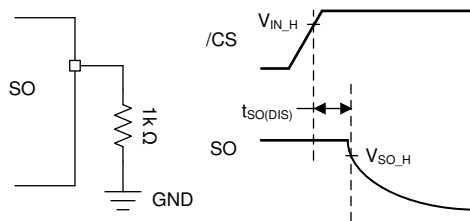
7 Parameter Measurement Information



7-1. SPI Timing Parameters



7-2. t_{REACT} Timing Parameters



7-3. $t_{SO(DIS)}$ Timing Parameters

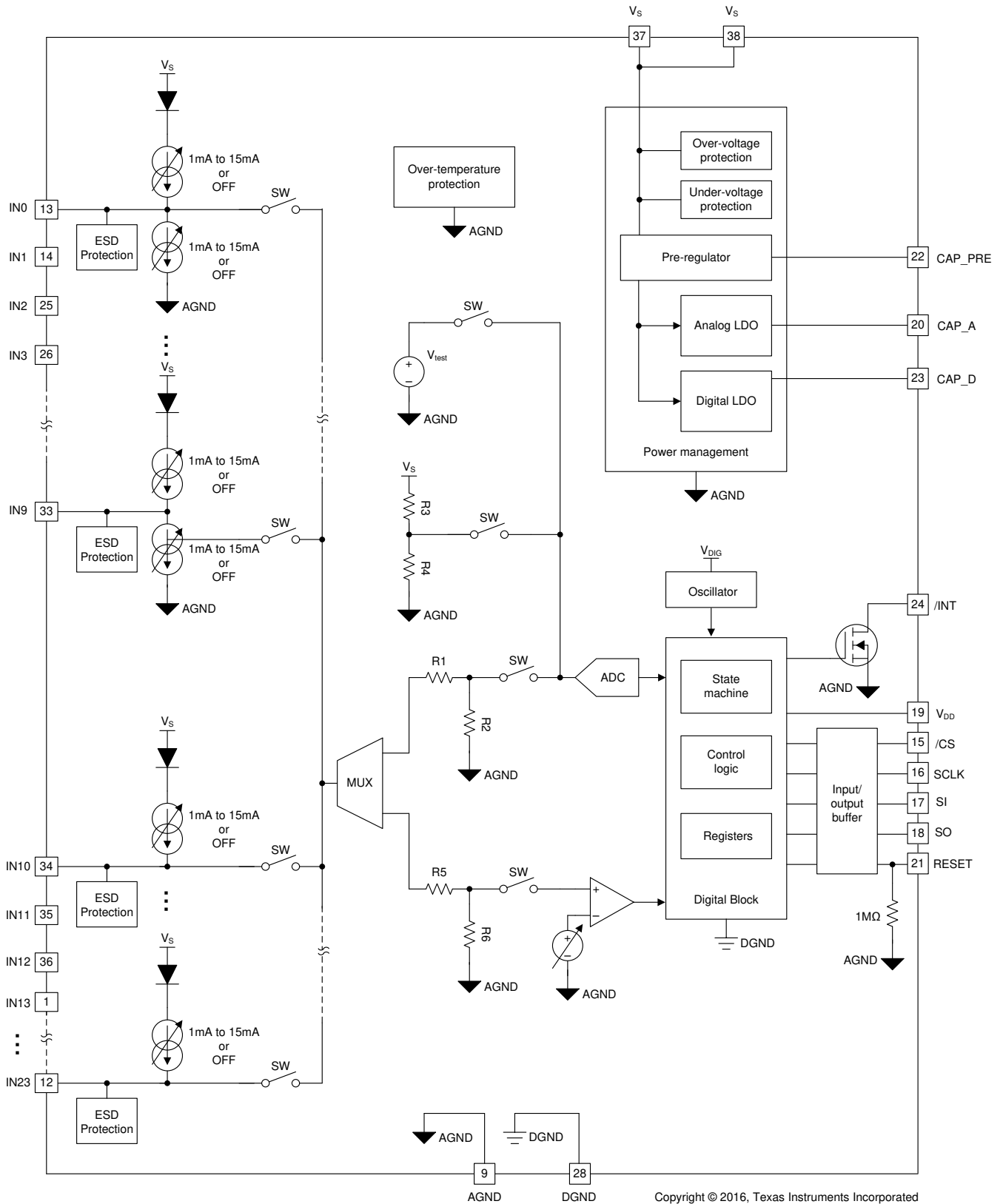
8 Detailed Description

8.1 Overview

The TIC12400-Q1 is an advanced 24-input Multiple Switch Detection Interface (MSDI) device designed to detect external mechanical switch status in a 12 V automotive system by acting as an interface between the switches and the low-voltage microcontroller. The TIC12400-Q1 is an integrated solution that replaces many discrete components and provides integrated protection, input serialization, and system wake-up capability.

The device monitors 14 switches to GND and 10 additional switches that can be programmed to be connected to either GND or V_{BAT} . It features SPI interface to report individual switch status and provides programmability to control the device operation. The TIC12400-Q1 features a 10-bit ADC which is useful to monitor analog inputs such as resistor coded switches that have multiple switching positions. To monitor only digital switches, an integrated comparator can be used instead to monitor the input status. The device has 2 modes of operation: continuous mode and polling mode. The polling mode is a low-power mode that can be activated to reduce current drawn in the system by only turning on the wetting current for a small duty cycle to detect switch status changes. An interrupt is generated upon detection of switch status change and it can be used to wake up the microcontroller to bring the entire system back to operation.

8.2 Functional Block Diagram



Copyright © 2016, Texas Instruments Incorporated

8.3 Feature Description

8.3.1 V_S Pin

The V_S supply provides power to the entire chip and it is designed to be connected directly to a 12 V automotive battery via a reverse-polarity blocking diode.

8.3.2 V_{DD} Pin

The V_{DD} supply is used to determine the logic level on the SPI communication interface, source the current for the SO driver, and sets the pull-up voltage for the \overline{CS} pin. It can also be used as a possible external pull-up supply for the \overline{INT} pin in addition to the V_S and it shall be connected to a 3 V to 5.5 V logic supply. Removing V_{DD} from the device disables SPI communications but does not reset the register configurations.

8.3.3 Device Initialization

When the device is powered up for the first time, the condition is called Power-On Reset (POR), which sets the registers to their default values and initializes the device state machine. The internal POR controller holds the device in a reset condition until V_S has reached V_{POR_R} , at which the reset condition is released with the device registers and state machine initialized to their default values. After the initialization process is completed, the \overline{INT} pin is asserted low to notify the microcontroller, and the register bit POR in the INT_STAT register is asserted to logic 1. The SPI flag bit POR is also asserted at the SPI output (SO).

During device initialization, factory settings are programmed into the device to allow accurate device operation. The device performs a self-check after the device is programmed to ensure correct settings are loaded. If the self-check returns an error, the CHK_FAIL bit in the INT_STAT register will be flagged to logic 1 along with the POR bit. If this event occurs the microcontroller is recommended to initiate software reset (see section [Software Reset](#)) to re-initialize the device to allow the correct settings to be re-programmed.

8.3.4 Device Trigger

After device initialization, the TIC12400-Q1 is ready to be configured. The microcontroller can use SPI commands to program desired settings to the configuration registers. Once the device configuration is completed, the microcontroller is required to set the bit TRIGGER in the CONFIG register to logic 1 in order to activate wetting current and start external switch monitoring.

After switch monitoring initiates, the configuration registers turn into read-only registers (with the exception of the TRIGGER, CRC_T, and RESET bits in the CONFIG register and all bits in the CCP_CFG1 register). If at any time the device setting needs to be re-configured, the microcontroller is required to first set the bit TRIGGER in the CONFIG register to logic 0 to stop wetting current and switch monitoring. The microcontroller can then program configuration registers to the desired settings. Once the re-configuration is completed the microcontroller can set the TRIGGER bit back to logic 1 to re-start switch monitoring.

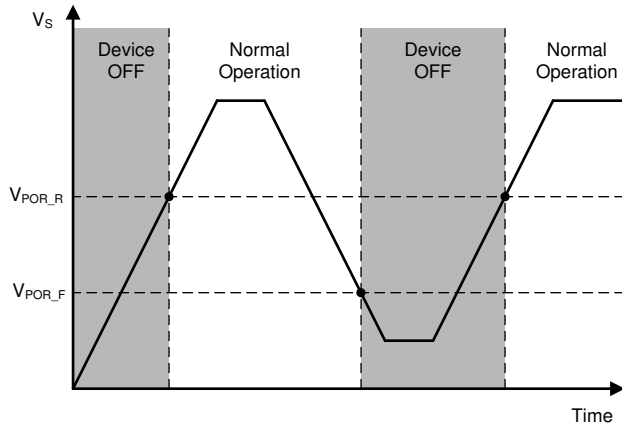
Note the cyclic redundancy check (CRC) feature stays accessible when TRIGGER bit is in logic 1, allowing the microcontroller to verify device settings at all time. Refer to section [Cyclic Redundancy Check \(CRC\)](#) for more details of the CRC feature.

8.3.5 Device Reset

There are 3 ways to reset the TIC12400-Q1 and re-initialize all registers to their default values:

8.3.5.1 V_S Supply POR

The device is turned off and all register contents are lost if the V_S voltage drops below V_{POR_F} . To turn the device back on, the V_S voltage must be raised back above V_{POR_R} , as illustrated in [Figure 8-1](#). The device then starts the initialization process as described in section [Device Initialization](#).



8-1. V_S is Lowered Below the POR Threshold, Then Ramped Back Up to Complete a POR Cycle

8.3.5.2 Hardware Reset

Microcontroller can toggle the RESET pin to perform a hardware reset to the device. The RESET pin is internally pulled-down via a resistor (1.25 M Ω typical) and must be kept low for normal operation. When the RESET pin is toggled high, the device enters the reset state with most of the internal blocks turned off and consumes very little current of I_{S_RESET} . Switch monitoring and SPI communications are stopped in the reset state, and all register contents are cleared. When RESET pin is toggled back low, all the registers are set to their default values and the device state machine is re-initialized, similar to a POR event. When the re-initialization process is completed the \overline{INT} pin is asserted low, and the interrupt register bit POR and the SPI status flag POR are both asserted to notify the microcontroller that the device has completed the reset process.

Note in order to successfully reset the device, the RESET pin needs to be kept high for a minimum duration of t_{RESET} . The pin is required to be driven with a stable input (below V_{RESET_L} for logic low or above V_{RESET_H} for logic H) to prevent the device from accidental reset.

8.3.5.3 Software Reset

In addition to hardware reset the microcontroller can also issue a SPI command to initiate software reset. Software reset is triggered by setting the RESET bit in the register CONFIG to logic 1, which re-initializes the device with all registers set to their default values. Once the re-initialization process is completed, the \overline{INT} pin is asserted low, and the interrupt register bit POR and the SPI status flag POR are both asserted to notify the microcontroller that the device has completed the reset process.

8.3.6 V_S Under-Voltage (UV) Condition

During normal operation of a typical 12 V automotive system, the V_S voltage is usually quite stable and stays well above 11 V. However, the V_S voltage may drop temporarily during certain vehicle operations, such as cold cranking. If the V_S voltage drops below V_{UV_F} , the TIC12400-Q1 enters the under-voltage (UV) condition since there is not enough voltage headroom for the device to accurately generate wetting currents. The following describes the behavior of the TIC12400-Q1 under UV condition:

1. All current sources and sinks de-activate and switch monitoring stops.
2. Interrupt is generated by asserting the \overline{INT} pin low and the bit UV in the interrupt register (INT_STAT) is flagged to logic 1. The bit UV_STAT is asserted to logic 1 in the register IN_STAT_MISC. The OI SPI flag is asserted during any SPI transactions. The \overline{INT} pin is released and the interrupt register (INT_STAT) is cleared on the rising edge of CS provided that the interrupt register has been read during the SPI transaction.
3. SPI communication stays active, and all register settings stay intact without resetting. Previous switch status, if needed, can be retrieved without interruption.
4. The device continues to monitor the V_S voltage, and the UV condition sustains if the V_S voltage continues to stay below V_{UV_R} . No further interrupt is generated once cleared.

Note: the device resets as described in section [VS Supply POR](#) if the V_S voltage drops below V_{POR_F} .

When the V_S voltage rises above $V_{UV,R}$, the \overline{INT} pin is asserted low to notify the microcontroller that the UV condition no longer exists. The UV bit in the register INT_STAT is flagged to logic 1 and the bit UV_STAT bit is de-asserted to logic 0 in the register IN_STAT_MISC to reflect the clearance of the UV condition. The device resumes operation using current register settings (regardless of the \overline{INT} pin and SPI communication status) with polling restarted from the first enabled channel. The Switch State Change (SSC) interrupt is generated at the end of the first polling cycle and the detected switch status becomes the baseline switch status for subsequent polling cycles. The content of the INT_STAT register, once read by the microcontroller, is cleared, and the \overline{INT} pin is released afterwards.

The following diagram describes the TIC12400-Q1 operation at various different V_S voltages. If the V_S voltage stays above $V_{UV,F}$ (Case 1), the device stays in normal operation. If the V_S voltage drops below $V_{UV,F}$ but stays above $V_{POR,F}$ (Case 2), the device enters the UV condition. If V_S voltage drops below $V_{POR,F}$ (Case 3), the device resets and all register settings are cleared. The microcontroller is then required to re-program all the configuration registers in order to resume normal operation after the V_S voltage recovers.

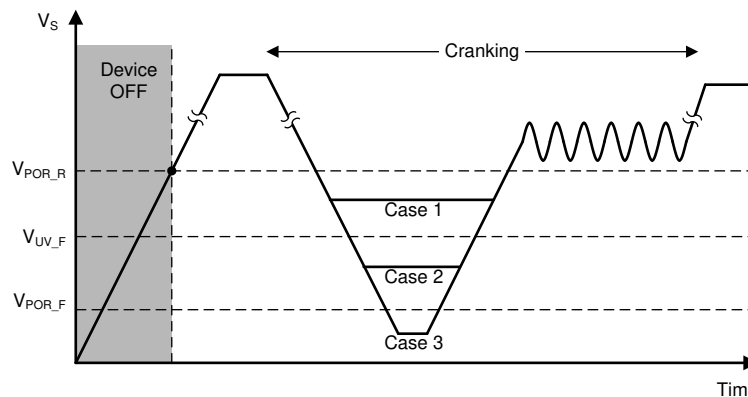


图 8-2. TIC12400-Q1 Operation at Various V_S Voltage Levels

8.3.7 V_S Over-Voltage (OV) Condition

If V_S voltage rises above $V_{OV,R}$, the TIC12400-Q1 enters the over-voltage (OV) condition to prevent damage to internal structures of the device on the V_S and INx (for battery-connected switches) pins. The following describes the behavior of the TIC12400-Q1 under OV condition:

1. All current sources and sinks de-activate and switch monitoring stops.
2. Interrupt is generated by asserting the \overline{INT} pin low and the bit OV in the interrupt register (INT_STAT) is flagged to logic 1. The bit OV_STAT is asserted to logic 1 in the register IN_STAT_MISC. The OI SPI flag is asserted during any SPI transactions. The \overline{INT} pin is released and the interrupt register (INT_STAT) is cleared on the rising edge of CS provided that the interrupt register has been read during the SPI transaction.
3. SPI communication stays active, and all register settings stay intact without resetting. Previous switch status, if needed, can be retrieved without any interruption.
4. The device continues to monitor the V_S voltage, and the OV condition sustains if the V_S voltage continues to stay above $V_{OV,R} - V_{OV,HYST}$. No further interrupt is generated once cleared.

When the V_S voltage drops below $V_{OV,R} - V_{OV,HYST}$, the \overline{INT} pin is asserted low to notify the microcontroller that the over-voltage condition no longer exists. The OV bit in the register INT_STAT is flagged to logic 1 and the bit OV_STAT bit is de-asserted to logic 0 in the register IN_STAT_MISC to reflect the clearance of the OV condition. The device resumes operation using current register settings (regardless of the \overline{INT} pin and SPI communication status) with polling restarted from the first enabled channel. The Switch State Change (SSC) interrupt is generated at the end of the first polling cycle and the detected switch status becomes the baseline status for subsequent polling cycles. The content of the INT_STAT register, once read by the microcontroller, is cleared and the \overline{INT} pin is released afterwards.

8.3.8 Switch Inputs Settings

IN0 to IN23 are inputs connected to external mechanical switches. The switch status of each input, whether open or closed, is indicated by the status registers. 表 8-1 below describes various settings that can be configured for each input. Note: some settings are shared between multiple inputs. It is required to first stop device operation by setting the TRIGGER bit low in the register CONFIG before making any configuration changes, as described in [Device Trigger](#).

表 8-1. TIC12400-Q1 Wetting Current and Threshold Setting Details

Input	Threshold		Wetting Current	Current Source (CSO) / Current Sink (CSI)	Supported Switch Type
	Comparator Input Mode	ADC Input Mode			
IN0	THRES_COMP_IN 0_IN3	THRES0 to THRES7	WC_IN0_IN1	CSO CSI	Switch to GND Switch to VBAT
IN1		THRES0 to THRES7		CSO CSI	Switch to GND Switch to VBAT
IN2		THRES0 to THRES7	WC_IN2_IN3	CSO CSI	Switch to GND Switch to VBAT
IN3		THRES0 to THRES7		CSO CSI	Switch to GND Switch to VBAT
IN4	THRES_COMP_IN 4_IN7	THRES0 to THRES7	WC_IN4	CSO CSI	Switch to GND Switch to VBAT
IN5		THRES0 to THRES7	WC_IN5	CSO CSI	Switch to GND Switch to VBAT
IN6		THRES0 to THRES7	WC_IN6_IN7	CSO CSI	Switch to GND Switch to VBAT
IN7		THRES0 to THRES7		CSO CSI	Switch to GND Switch to VBAT
IN8	THRES_COMP_IN 8_IN11	THRES0 to THRES7	WC_IN8_IN9	CSO CSI	Switch to GND Switch to VBAT
IN9		THRES0 to THRES7		CSO CSI	Switch to GND Switch to VBAT
IN10		THRES0 to THRES7	WC_IN10	CSO	Switch to GND
IN11		THRES0 to THRES7	WC_IN11	CSO	Switch to GND
IN12	THRES_COMP_IN 12_IN15	THRES2A THRES2B	WC_IN12_13	CSO	Switch to GND
IN13		THRES2A THRES2B		CSO	Switch to GND
IN14		THRES2A THRES2B	WC_IN14_15	CSO	Switch to GND
IN15		THRES2A THRES2B		CSO	Switch to GND
IN16	THRES_COMP_IN 16_IN19	THRES2A THRES2B	WC_IN16_17	CSO	Switch to GND
IN17		THRES2A THRES2B		CSO	Switch to GND
IN18		THRES3A THRES3B THRES3C	WC_IN18_19	CSO	Switch to GND
IN19		THRES3A THRES3B THRES3C		CSO	Switch to GND

表 8-1. TIC12400-Q1 Wetting Current and Threshold Setting Details (continued)

Input	Threshold		Wetting Current	Current Source (CSO) / Current Sink (CSI)	Supported Switch Type
	Comparator Input Mode	ADC Input Mode			
IN20	THRES_COMP_IN 20_IN23	THRES3A THRES3B THRES3C	WC_IN20_21	CSO	Switch to GND
IN21		THRES3A THRES3B THRES3C		CSO	Switch to GND
IN22		THRES3A THRES3B THRES3C	WC_IN22	CSO	Switch to GND
IN23		THRES3A THRES3B THRES3C THRES8 THRES9	WC_IN23	CSO	Switch to GND

8.3.8.1 Input Current Source and Sink Selection

Among the 24 inputs, IN10 to IN23 are intended for monitoring only ground-connected switches and are connected to current sources. IN0 to IN9 can be programmed to monitor either ground-connected switches or battery-connected switches by configuring the [CS_SELECT](#) register. The default configuration of the IN0-IN9 inputs after POR is to monitor ground-connected switches (current sources are selected). To set an input to monitor battery-connected switches, set the corresponding bit to logic 1.

8.3.8.2 Input Mode Selection

The TIC12400-Q1 has a built-in ADC and a comparator that can be used to monitor resistor coded switches or digital switches. Digital switch inputs have only two states, either open or closed, and can be adequately detected by a comparator. Resistor coded switches may have multiple positions that need to be detected and an ADC is appropriate to monitor the different states. Each input of the TIC12400-Q1 can be individually programmed to use either a comparator or an ADC by configuring the appropriate bits in the [MODE](#) register depending on the knowledge of the external switch connections. The benefit of using a comparator instead of an ADC to monitor digital switches is its reduced polling time which translates to overall power saving when the device operates in the low-power polling mode.

Comparator input mode is selected by default for all enabled inputs upon device reset.

8.3.8.3 Input Enable Selection

The TIC12400-Q1 provides switch status monitoring for up to 24 inputs, but there might be circumstances in which not all inputs need to be constantly monitored. The microcontroller may choose to enable or disable monitoring of certain inputs by configuring the [IN_EN](#) register. Setting the corresponding bit to logic 0 deactivates the wetting current source and sink, and stops switch status monitoring for the input. Disabling monitoring of unused inputs reduces overall power consumption of the device.

All inputs are disabled by default upon device reset.

8.3.8.4 Thresholds Adjustment

When an input is configured as comparator input mode, the threshold level for interrupt generation can be programmed by setting the *THRES_COMP* register. The threshold level settings can be set for each individual input groups and each group consists of 4 inputs. Four threshold levels are available: 2 V, 2.7 V, 3 V, and 4 V.

When an input is configured as ADC input mode the threshold level for interrupt generation can be configured from 0 to 1023 different levels by setting the *THRES_CFG1* to *THRES_CFG2* registers. One threshold level can be programmed individually for each of the inputs from IN0 to IN11. Additionally, one common threshold, shared between inputs IN0 to IN11, can be programmed by configuring the THRES_COM bits in register *MATRIX*. The common threshold acts independently from the threshold THRES0 to THRES7. Inputs IN12 to IN17 use 2 preset threshold levels (THRES2A and THRES2B). Inputs 18 to 22 use 3 preset threshold levels (THRES3A, THRES3B, and THRES3C). Input 23 uses 5 preset threshold levels (THRES3A, THRES3B, THRES3C, THRES8, and THRES9).

When multiple threshold settings are used for ADC inputs, the thresholds levels need to be configured properly. Use the rules below (see 表 8-2) when setting up the threshold levels:

表 8-2. Proper Threshold Configuration for ADC Inputs

INPUT	PROPER THRESHOLD CONFIGURATION
IN12 to IN17	THRES2B ≥ THRES2A
IN18 to IN22	THRES3C ≥ THRES3B ≥ THRES3A
IN23	THRES9 ≥ THRES8 ≥ THRES3C ≥ THRES3B ≥ THRES3A

Remember to use caution when setting up the threshold for switches that are connected externally to the battery as there is a finite voltage drop (as high as $V_{CSI_DROP_OPEN}$ for 10 mA and 15 mA settings) across the current sinks. Therefore, even for an open switch, the voltage on the INx pin can be as high as $V_{CSI_DROP_OPEN}$ and the detection threshold shall be configured above it. It shall also be noted that a lower wetting current sink setting may not be strong enough to pull the INx pin close to ground in the presence of a leaky open external switch, as illustrated in the diagram below (see 图 8-3). In this example, the external switch, although in the open state, has large leakage current and can be modelled as an equivalent resistor (R_{DIRT}) of 5 kΩ. The 2 mA current sink is only able to pull the INx pin voltage down to 4 V, even if the switch is in the open state.

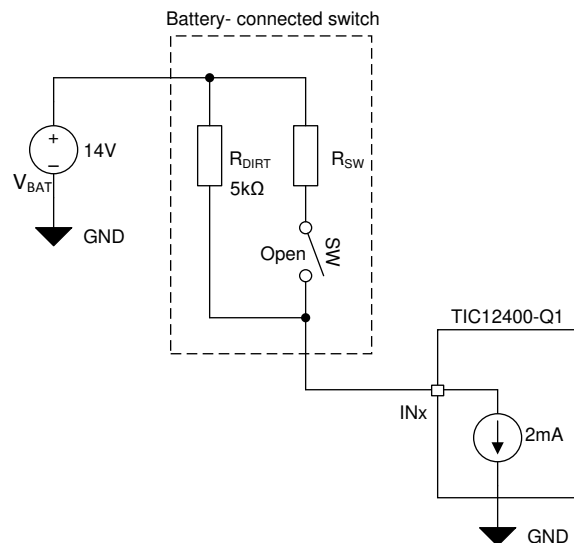


图 8-3. Example Showing the Calculation of the INx Pin Voltage for A Leaky Battery-Connected Switch

It is possible to configure an input to ADC input mode, instead of comparator input mode, to monitor single-threshold digital switches. The following programming procedure is recommended under such configuration:

表 8-3. Recommended Threshold Configuration When Using an ADC Input to Monitor Digital Switches

INPUT	RECOMMENDED THRESHOLD CONFIGURATION
IN0 to IN11	Configure the desired threshold to one of the settings from THRES0 to THRES7 and map it accordingly
IN12 to IN17	<ul style="list-style-type: none"> Configure the desired threshold to THRES2B Set THRES2A to the same code as THRES2B Disable interrupt generation for THRES2A by configuring the INT_EN_CFG1 or INT_EN_CFG2 register.
IN18 to IN22	<ul style="list-style-type: none"> Configure the desired threshold to THRES3C Set THRES3A and THRES3B to the same code as THRES3C. Disable interrupt generation for THRES3A and THRES3B by configuring the INT_EN_CFG3 or INT_EN_CFG4 register.
IN23	<ul style="list-style-type: none"> Configure the desired threshold to THRES9 Set THRES3A, THRES3B, THRES3C, and THRES8 to the same code as THRES9. Disable interrupt generation for THRES3A, THRES3B, THRES3C, and THRES8 by configuring the INT_EN_CFG4 register.

8.3.8.5 Wetting Current Configuration

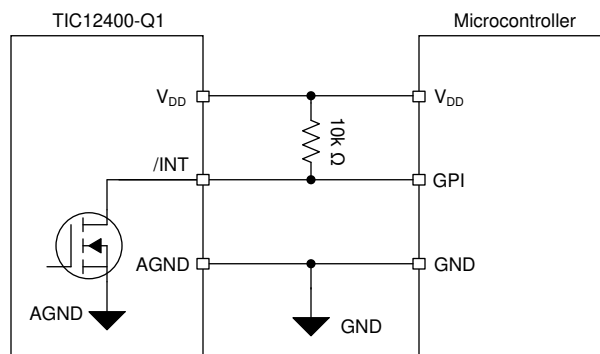
There are 6 different wetting current settings (0 mA, 1 mA, 2 mA, 5 mA, 10 mA, and 15 mA) that can be programmed by configuring the [WC_CFG0](#) and [WC_CFG1](#) registers. 0 mA is selected by default upon device reset.

To monitor resistor coded switches, a lower wetting current setting (1 mA, 2 mA, or 5 mA) is generally desirable to get the resolution needed to resolve different input voltages while keeping them within the ADC full-scale range (0 V to 6 V). Higher wetting current settings (10 mA and 15 mA) are useful to clean switch contact oxidation that may form on the surface of an open switch contact. If switch contact cleaning is required for resistor coded switches, the clean current polling (CCP) feature (Refer to [セクション 8.4.3.1](#)) can be activated to generate short cleaning pulses periodically using higher wetting current settings at the end of every polling cycle.

The accuracy of the wetting current has stronger dependency on the V_S voltage when V_S voltage is low. The lower the V_S voltage falls, the more deviation on the wetting currents from their nominal values. Refer to $I_{WETT(CSO)}$ and $I_{WETT(CSI)}$ specifications for more details.

8.3.9 Interrupt Generation and \overline{INT} Assertion

The \overline{INT} pin is an active-low, open-drain output that asserts low when an event such as switch input state change, temperature warning, over-voltage shutdown, and so fourth, is detected by the TIC12400-Q1. An external pull-up resistor to V_{DD} is needed on the \overline{INT} pin (see [図 8-4](#)). The \overline{INT} pin can also be connected directly to a 12 V automotive battery to support the microcontroller wake-up feature, as describe in [セクション 8.3.9.3](#).

**図 8-4. \overline{INT} Connection Example #1**

8.3.9.1 $\overline{\text{INT}}$ Pin Assertion Scheme

TIC12400-Q1 supports two configurable schemes for $\overline{\text{INT}}$ assertion: static and dynamic. The scheme can be adjusted by configuring the INT_CONFIG bit in the CONFIG register.

If the static $\overline{\text{INT}}$ assertion scheme is used (INT_CONFIG = 0 in the CONFIG register), the $\overline{\text{INT}}$ pin is asserted low upon occurrence of an event. The $\overline{\text{INT}}$ pin is released on the rising edge of $\overline{\text{CS}}$ only if a READ command has been issued to read the INT_STAT register while $\overline{\text{CS}}$ is low, otherwise the $\overline{\text{INT}}$ will be kept low indefinitely. The content of the INT_STAT interrupt register is latched on the first rising edge of SCLK after $\overline{\text{CS}}$ goes low for every SPI transaction, and the content is cleared upon a READ command issued to the INT_STAT register, as illustrated in [Figure 8-5](#).

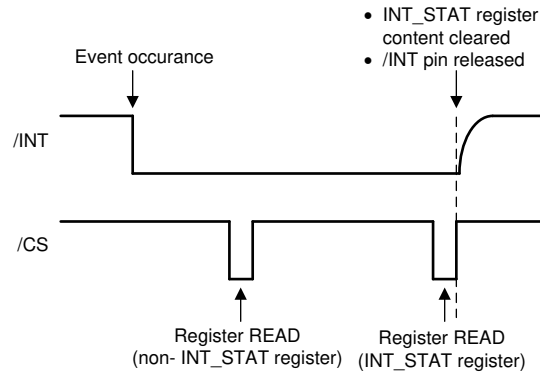


Figure 8-5. Static $\overline{\text{INT}}$ Assertion Scheme

In some system implementations an edge-triggered based microcontroller might potentially miss the $\overline{\text{INT}}$ assertion if it is configured to the static scheme, especially when the microcontroller is in the process of waking up. To prevent missed $\overline{\text{INT}}$ assertion and improve robustness of the interrupt behavior, the TIC12400-Q1 provides the option to use the dynamic assertion scheme for the $\overline{\text{INT}}$ pin. When the dynamic scheme is used (INT_CONFIG= 1 in the CONFIG register), the $\overline{\text{INT}}$ pin is asserted low for a duration of $t_{\text{INT_ACTIVE}}$ and is de-asserted back to high if the INT_STAT register has not been read after $t_{\text{INT_ACTIVE}}$ has elapsed. The $\overline{\text{INT}}$ is kept high for a duration of $t_{\text{INT_INACTIVE}}$, and is re-asserted low after $t_{\text{INT_INACTIVE}}$ has elapsed. The $\overline{\text{INT}}$ pin continues to toggle until the INT_STAT register is read.

If the INT_STAT register is read when $\overline{\text{INT}}$ pin is asserted low, the $\overline{\text{INT}}$ pin is released on the READ command's $\overline{\text{CS}}$ rising edge and the content of the INT_STAT register is also cleared, as shown in [Figure 8-6](#). If the INT_STAT register is read when $\overline{\text{INT}}$ pin is de-asserted, the content of the INT_STAT register is cleared on the READ command's $\overline{\text{CS}}$ rising edge, and the $\overline{\text{INT}}$ pin is not re-asserted back low, as shown in [Figure 8-7](#).

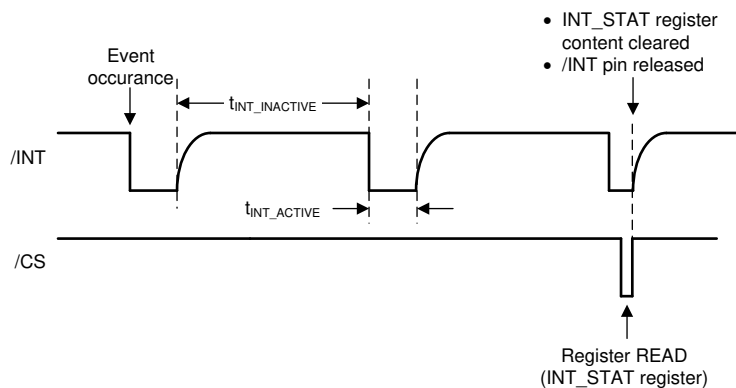
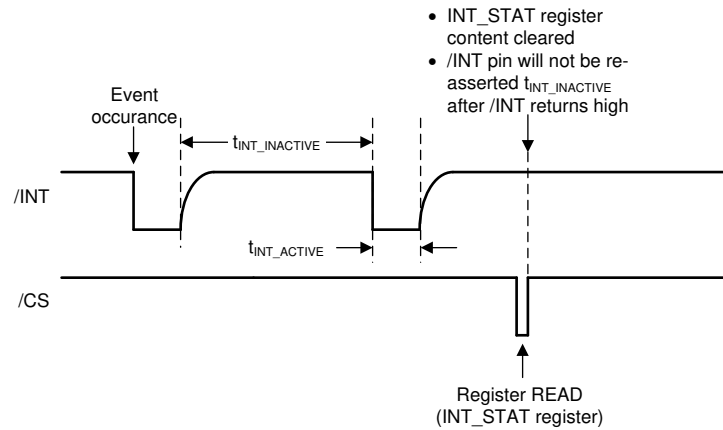


Figure 8-6. Dynamic $\overline{\text{INT}}$ Assertion Scheme With INT_STAT Register Read During $t_{\text{INT_ACTIVE}}$



8-7. Dynamic $\overline{\text{INT}}$ Assertion Scheme With INT_STAT Register Read During $t_{\text{INT_INACTIVE}}$

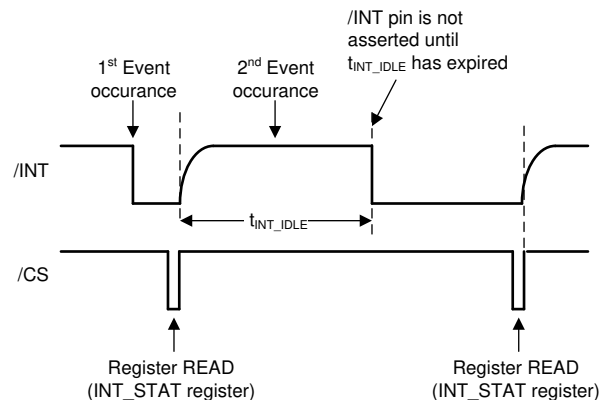
The static $\overline{\text{INT}}$ assertion scheme is selected by default upon device reset. The $\overline{\text{INT}}$ pin assertion scheme can only be changed when bit TRIGGER is logic 0 in the CONFIG register.

8.3.9.2 Interrupt Idle Time ($t_{\text{INT_IDLE}}$) Time

Interrupt idle time ($t_{\text{INT_IDLE}}$) is implemented in TIC12400-Q1 to:

- Allow the $\overline{\text{INT}}$ pin enough time to be pulled back high by the external pull-up resistor and allow the next assertion to be detectable by an edge-triggered microcontroller.
- Minimize the chance of glitching on the $\overline{\text{INT}}$ pin if back-to-back events occur.

When there is a pending interrupt event and the interrupt event is not masked, $t_{\text{INT_IDLE}}$ is applied after the READ command is issued to the INT_STAT register. If another event occurs during the interrupt idle time the INT_STAT register content is updated instantly but the $\overline{\text{INT}}$ pin is not asserted low until $t_{\text{INT_IDLE}}$ has elapsed. If another READ command is issued to the INT_STAT register during $t_{\text{INT_IDLE}}$, the INT_STAT register content is cleared immediately, but the $\overline{\text{INT}}$ pin is not re-asserted back low after $t_{\text{INT_IDLE}}$ has elapsed. An example of the interrupt idle time is given below to illustrate the $\overline{\text{INT}}$ pin behavior under the static $\overline{\text{INT}}$ assertion schemes:



8-8. $\overline{\text{INT}}$ Assertion Scheme With $t_{\text{INT_IDLE}}$

8.3.9.3 Microcontroller Wake-Up

Using a few external components, the $\overline{\text{INT}}$ pin can be used for wake-up purpose to activate a voltage regulator via its inhibit inputs. An implementation example is shown in [8-9](#). This implementation is especially useful for waking up a microcontroller in sleep mode to allow significant system-level power savings.

Before the wake-up event, the $\overline{\text{INT}}$ pin is in high impedance state on the TIC12400-Q1. The microcontroller can be kept in sleep state with all its GPIOs in logic low. Hence, Q2 remains off with its based in logic low state and the base of Q1 is weakly pulled-high to the V_S level. This causes Q1 to remain off, and the LDO_EN signal is pulled-down to logic low to disable the regulator's output. V_{DD} is therefore unavailable to both the TIC12400-Q1

device and the microcontroller and SPI communication is not supported. Switch status monitoring, however, is still active in the TIC12400-Q1.

When an event such as switch status change, temperature warning, O V and so fourth occurs, the $\overline{\text{INT}}$ pin is asserted low by TIC12400-Q1, causing Q1 to turn on to activate the voltage regulator. The microcontroller is then reactivated, and the communication between the microcontroller and the TIC12400-Q1 is reestablished. The microcontroller can then access stored event information using SPI communication. Note: since the $\overline{\text{INT}}$ pin is de-asserted after the INT_STAT register is read, the microcontroller is required to keep the regulator on by driving the $\mu\text{C_LDO_EN}$ signal high. This allows V_{DD} to stay high to provide power to the microcontroller and support SPI communications.

The wake-up implementation is applicable only when the device is configured to use the static $\overline{\text{INT}}$ assertion scheme.

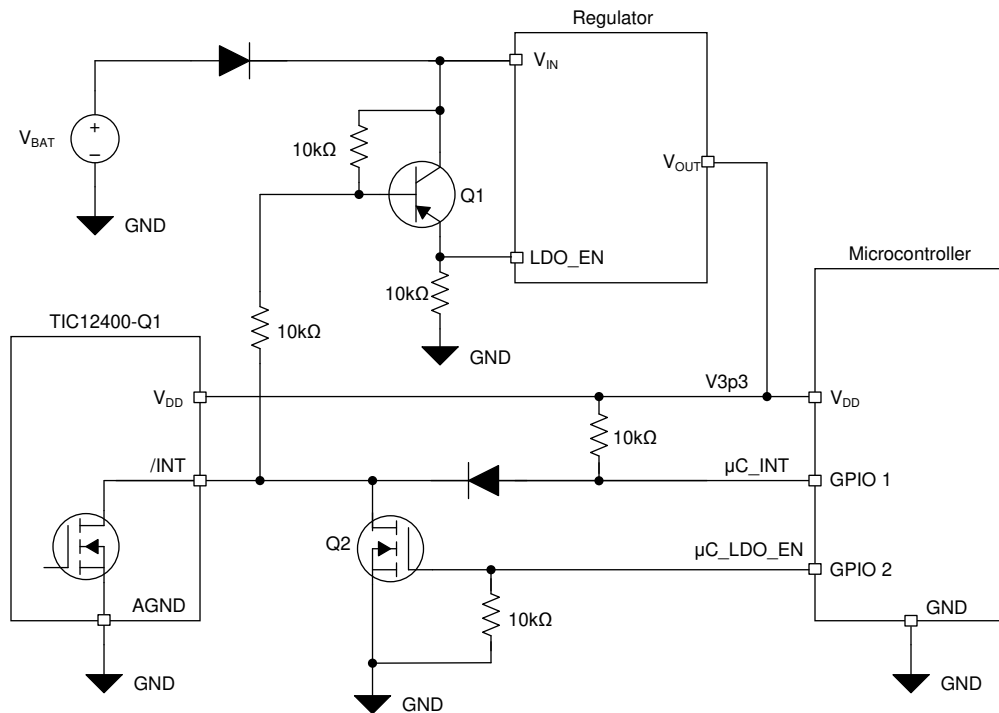


FIG 8-9. $\overline{\text{INT}}$ Connection to Support Microcontroller Wake-Up

8.3.9.4 Interrupt Enable or Disable and Interrupt Generation Conditions

Each switch input can be programmed to enable or disable interrupt generation upon status change by configuring registers [INT_EN_COMP1](#) to [INT_EN_COMP2](#) (for comparator inputs) and [INT_EN_CFG1](#) to [INT_EN_CFG4](#) (for ADC inputs). Interrupt generation condition can be adjusted for THRES_COM (for IN0-IN11) by adjusting the IN_COM_EN bit in the [MATRIX](#) register.

The abovementioned registers can also be used to control interrupt generation condition based on the following settings:

1. **Rising edge:** an interrupt is generated if the current input measurement is above the corresponding threshold and the previous measurement was below.
2. **Falling edge:** an interrupt is generated if the current input measurement is below the corresponding threshold and the previous measurement was above.
3. **Both edges:** changes of the input voltage in either direction results in an interrupt generation.

Note interrupt generation from switch status change is disabled for all inputs by default upon device reset.

8.3.9.5 Detection Filter

When monitoring the switch input status, a detection filter can be configured by setting the DET_FILTER bits in the CONFIG register to generate Switch Status Change (SSC) interrupt only if the same input status (w.r.t the threshold) is sampled consecutively. This detection filter can be useful to debounce inputs during a switch toggle event. Four different filtering schemes are available:

1. Generate an SSC interrupt, if the voltage level at an input crossed its threshold.
2. Generate an SSC interrupt, if the voltage level at an input crossed its threshold and the status is stable (w.r.t. the threshold) for at least 2 consecutive polling cycles.
3. Generate an SSC interrupt, if the voltage level at an input crossed its threshold and the status is stable (w.r.t. the threshold) for at least 3 consecutive polling cycles.
4. Generate an SSC interrupt, if the voltage level at an input crossed its threshold and the status is stable (w.r.t. the threshold) for at least 4 consecutive polling cycles.

The default value of switch status is stored internally after the 1st detection cycle, even if detection filter (by configure the DET_FILTER in the CONFIG register) is used. An example is illustrated below with the assumption that DET_FILTER in register CONFIG is set to 11 (SSC interrupt is generated if the input crosses the threshold and the status is stable w.r.t. the threshold for at least 4 consecutive detection cycles). Assume switch status change is detected in the 3rd detection cycle and stays the same for the next 3 cycles.

DETECTION CYCLE	1	2	3	4	5	6
Event	<ul style="list-style-type: none"> • Default Switch status stored • $\overline{\text{INT}}$ asserted • SSC flagged 	—	Switch status change detected	—	—	<ul style="list-style-type: none"> • $\overline{\text{INT}}$ asserted • SSC flagged

The detection filter applies to all enabled inputs regardless of their input modes (ADC or comparator) selection. The detection filter counter is reset to 0 when the TRIGGER bit in the CONFIG register is de-asserted to logic 0. Upon device reset, the default setting for the detection filter is set to generating an SSC interrupt at every threshold crossing.

Note: the detection filter does not apply to the common threshold THRES_COM.

8.3.10 Temperature Monitor

When multiple switch inputs are closed and high wetting current setting is enabled, considerable power can be dissipated by the device and raise the device temperature. TIC12400-Q1 has integrated temperature monitoring and protection circuitry to put the device in low power mode to prevent damage due to overheating. Two types of temperature protection mechanisms are integrated in the device: Temperature Warning (TW) and Temperature Shutdown (TSD). The triggering temperatures and hysteresis are specified in 表 8-4 below:

表 8-4. Temperature Monitoring Characteristics of TIC12400-Q1

PARAMETER	MIN	TYP	MAX	UNIT
Temperature warning trigger temperature (T_{TW})	130	140	155	°C
Temperature shutdown trigger temperature (T_{TSD})	150	160	175	°C
Temperature hysteresis (T_{HYS}) for T_{TW} and T_{TSD}		15		°C

8.3.10.1 Temperature Warning (TW)

When the device temperature goes above the temperature warning trigger temperature (T_{TW}), the TIC12400-Q1 performs the following operations:

1. Generate an interrupt by asserting the $\overline{\text{INT}}$ pin low and flag the TW bit in INT_STAT register to logic 1. The TEMP bit in the SPI flag is also flagged to logic 1 for all SPI transactions.
2. The TW_STAT bit of the IN_STAT_MISC register is flagged to logic 1.
3. If the TW_CUR_DIS_CSO or TW_CUR_DIS_CSO bit in CONFIG register is set to logic 0 (default), the wetting current is adjusted down to 2 mA for 10 mA or 15 mA settings. The wetting current stays at its pre-configured value if 0 mA, 1 mA, 2 mA, or 5 mA setting is used.

- Maintain the low wetting current as long as the device junction temperature stays above $T_{TW} - T_{HYS}$.

The \overline{INT} pin is released and the INT_STAT register content is cleared on the rising edge of \overline{CS} provided the INT_STAT register has been read during \overline{CS} low. The TIC12400-Q1 continues to monitor the temperature, but does not issue further interrupts if the temperature continues to stay above $T_{TW} - T_{HYS}$. The status bit TW_STAT in register IN_STAT_MISC continues to stay at logic 1 as long as the temperature warning condition exists.

If desired, the reduction of wetting current down to 2 mA setting (from 10 mA or 15 mA) can be disabled by setting the TW_CUR_DIS_CSO or TW_CUR_DIS_CSI bit in the *CONFIG* register to 1. The interrupt is still generated (\overline{INT} asserted low and INT_STAT interrupt register is updated) when the temperature warning event occurs but the wetting current is not reduced. This setting applies to both the polling and continuous mode operation. Note: if the feature is enabled, switch detection result might be impacted upon T_{TW} event if the wetting current is reduced to 2 mA from 10 mA or 15 mA.

When the temperature drops below $T_{TW} - T_{HYS}$, the \overline{INT} pin is asserted low (if released previously) to notify the microcontroller that the temperature warning condition no longer exists. The TW bit of the interrupt register INT_STAT is flagged logic 1. The TW_STAT bit in the IN_STAT_MISC register is de-asserted back to logic 0. The device resumes operation using the current programmed settings (regardless of the \overline{INT} and \overline{CS} status).

8.3.10.2 Temperature Shutdown (TSD)

After the device enters TW condition, if the junction temperature continues to rise and goes above the temperature shutdown threshold (T_{TSD}), the TIC12400-Q1 enters the Temperature Shutdown (TSD) condition and performs the following operations:

- Opens all the switches connected to the current sources and sinks to prevent any further heating due to excessive current flow.
- Generate an interrupt by asserting the \overline{INT} pin (if not already asserted) low and flag the TSD bit in the INT_STAT register to logic 1. The TEMP bit in the SPI flag is also flagged to logic 1 for all SPI transactions.
- The TSD_STAT bit of the IN_STAT_MISC register is flagged to logic 1. The TW_STAT bit also stays at logic 1.
- SPI communication stays on and all register settings stay intact without resetting. Previous switch status, if needed, can be retrieved without any interruption.
- Maintain the setting as long as the junction temperature stays above $T_{TSD} - T_{HYS}$.

The \overline{INT} pin is released and the INT_STAT register content is cleared on the rising edge of \overline{CS} provided the INT_STAT register has been read during \overline{CS} low. The TIC12400-Q1 continues to monitor the temperature, but does not issue further interrupts if the temperature continues to stay above $T_{TSD} - T_{HYS}$. The status bit TSD_STAT in register IN_STAT_MISC continues to stay at logic 1 as long as the temperature shutdown condition exists.

When the temperature drops below $T_{TSD} - T_{HYS}$, the \overline{INT} pin is asserted low (if released previously) to notify the microcontroller that the temperature shutdown condition no longer exists. The TSD bit of the interrupt register INT_STAT is flagged logic 1. In the IN_STAT_MISC register, the TSD_STAT bit is de-asserted back to logic 0, while the TW_STAT bit stays at logic 1. The device resumes operation using the wetting current setting described in section *Temperature Warning* if the temperature stays above $T_{TW} - T_{HYS}$. Note: the polling restarts from the first enabled channel and the SSC interrupt is generated at the end of the first polling cycle. The detected switch status from the first polling cycle becomes the default switch status for subsequent polling.

8.3.11 Parity Check and Parity Generation

The TIC12400-Q1 uses parity bit check to ensure error-free data transmission from and to the SPI controller.

The device uses odd parity, for which the parity bit is set so that the total number of ones in the transmitted data on SO (including the parity bit) is an odd number (that is $\text{Bit0} \oplus \text{Bit1} \oplus \dots \oplus \text{Bit30} \oplus \text{Bit31} \oplus \text{Parity} = 1$).

The device also uses odd parity check after receiving data on SI from the SPI controller. If the total number of ones in the received data (including the parity bit) is an even number the received data is discarded. The \overline{INT} will be asserted low and the PRTY_FAIL bit in the interrupt register (INT_STAT) is flagged to logic 1 to notify the host that transmission error occurred. The PRTY_FAIL flag is also asserted during SPI communications.

8.3.12 Cyclic Redundancy Check (CRC)

The TIC12400-Q1 includes a CRC module to support redundancy checks on the configuration registers to ensure the integrity of data. The CRC calculation is based on the ITU-T X.25 implementation, and the CRC polynomial ($0x1021$) used is popularly known as CRC-CCITT-16 since it was initially proposed by the ITU-T (formerly CCITT) committee. The CRC calculation rule is defined in [表 8-5](#):

表 8-5. CRC Calculation Rule

CRC RULE	VALUE
CRC result width	16 bits
Polynomial	$x^{16} + x^{12} + x^5 + 1$ (1021h)
Initial (seed) value	FFFFh
Input data reflected	No
Result data reflected	No
XOR value	0000h

The CRC calculation is done on all the configuration registers starting from register [CONFIG](#) and ending at register [MODE](#). The device substitutes a zero for each reserved configuration register bit during the CRC calculation. The CRC calculation can be triggered by asserting the CRC_T bit in the CONFIG register. Once completed, the CRC_CALC interrupt bit in the INT_STAT register is asserted and an interrupt is issued. The 16-bit CRC calculation result is stored in the register CRC. This interrupt can be disabled by de-asserting the CRC_CALC_EN bit in the INT_EN_CFG0 register. It is important to avoid writing data to the configuration registers when the device is undergoing CRC calculations to prevent false calculation results.

[图 8-10](#) shows the block diagram of the CRC module. The module consists of 16 shift-registers and 3 exclusive-OR gates. The registers start with 1111-1111-1111-1111 (or FFFFh) and the module performs an XOR function and shifts its content until the last bit of the register string is used. The final register's content after the last data bit is the calculated CRC value of the data set and the content is stored in the CRC register.

Note the CRC_T bit self-clears after the CRC calculation is completed. Logic 1 is used for CRC_T bit during CRC calculation.

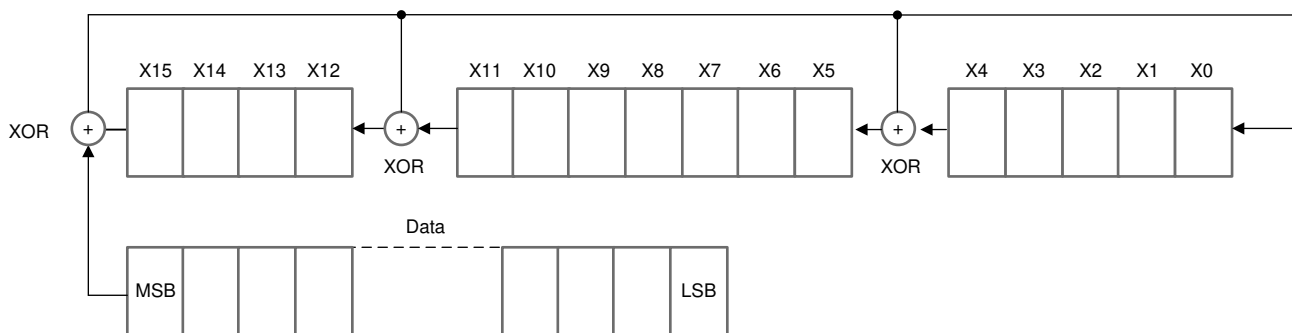


图 8-10. CCITT-16 CRC Module Block Diagram

8.4 Device Functional Modes

The TIC12400-Q1 has 2 modes of operation: continuous mode and polling mode. The following sections describe the two operation modes in details as well as some of the advanced features that could be activated during normal operations.

8.4.1 Continuous Mode

In continuous mode, wetting current is continuously applied to each enabled input channel, and the status of each channel is sampled sequentially (starting from the IN0 to IN23). The TIC12400-Q1 monitors enabled inputs and issues an interrupt (if enabled) if a switch status change event is detected. The wetting current setting for each input can be individually adjusted by configuring the *WC_CFG0* and *WC_CFG1* to the 0 mA, 1 mA, 2 mA, 5 mA, 10 mA, or 15 mA setting. Each input is monitored by either a comparator or an ADC depending on the setting of the input mode in the register *MODE*.

Figure 8-11 below illustrates an example of the timing diagram of the detection sequence in continuous mode. After the TRIGGER bit in register *CONFIG* is set to logic 1, it takes $t_{STARTUP}$ to activate the wetting current for all enabled inputs. The wetting currents stay on continuously, while each input is routed to the ADC and comparator for sampling in a sequential fashion. After conversion and comparison is done for an input, the switch status (below or above detection threshold) is stored in registers (*IN_STAT_COMP* for comparator inputs and *IN_STAT_ADC0* to *IN_STAT_ADC1* for ADC inputs) to be used as the default state for subsequent detection cycles. The digital values (if the input is configured as ADC input mode) are stored in the registers *ANA_STAT0* to *ANA_STAT11*. After the end of the first polling cycle, the */INT* pin is asserted low to notify the microcontroller that the default switch status is ready to be read. The SSC bit in *INT_STAT* register and the SPI status flag SSC are also asserted to logic 1. The polling cycle time (t_{POLL}) determines how frequently each input is sampled and can be configured in the register *CONFIG*.

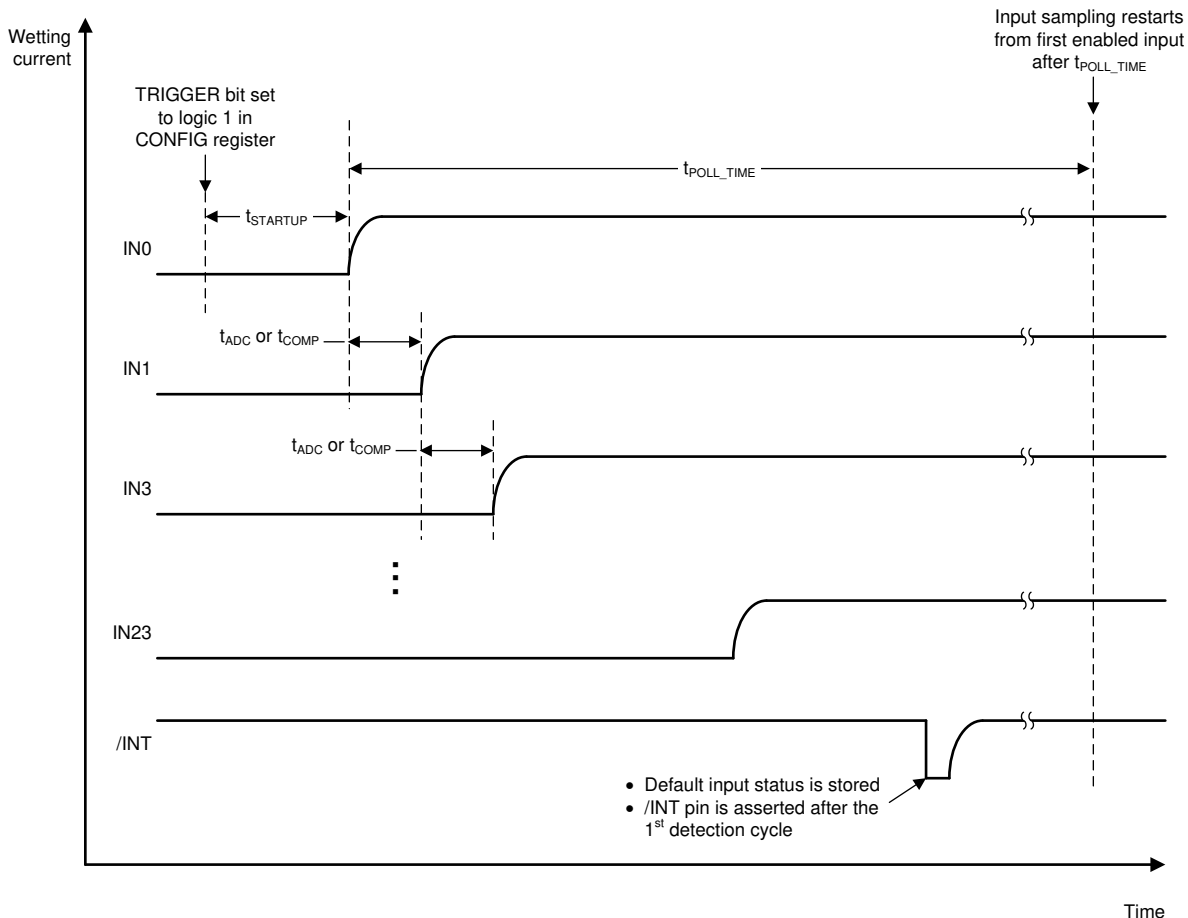


Figure 8-11. An Example of the Detection Sequence in Continuous Mode

The *INT_STAT* register is cleared and $\overline{\text{INT}}$ pin de-asserted if a SPI READ command is issued to the register. Note: the interrupt is always generated after the 1st detection cycle (after the TRIGGER bit in register *CONFIG* is set to logic 1). In subsequent detection cycles, the interrupt is generated only if switch status change is detected.

No wetting currents are applied to 0 mA- configured inputs, although some biasing current (as specified by $I_{\text{IN_LEAK_0mA}}$) may still flow in and out of the input. Threshold crossing monitoring is still performed for the input using one or more of the defined thresholds. The 0 mA setting is useful for the integrated ADC or comparator to measure applied voltage on a specific input without being affected by the device wetting current.

8.4.2 Polling Mode

The polling mode can be activated to reduce current drawn in ignition-off condition to conserve battery charge. Unlike the continuous mode, the current sources and sinks do not stay on continuously in the polling mode. Instead, they are turned on or off sequentially from IN0 to IN23 and cycled through each individual input channel. The microcontroller can be put to sleep to reduce overall system power. If a switch status change (SSC) is detected by the TIC12400-Q1, the $\overline{\text{INT}}$ pin (if enabled for the input channel) is asserted low (and the SSC bit in *INT_STAT* register and the SPI status flag SSC are also asserted to logic 1). The $\overline{\text{INT}}$ pin assertion can be used to wake up the system regulator which, in turn, wakes up the microcontroller as described in section [Microcontroller Wake-Up](#). The microcontroller can then use SPI communication to read the switch status information.

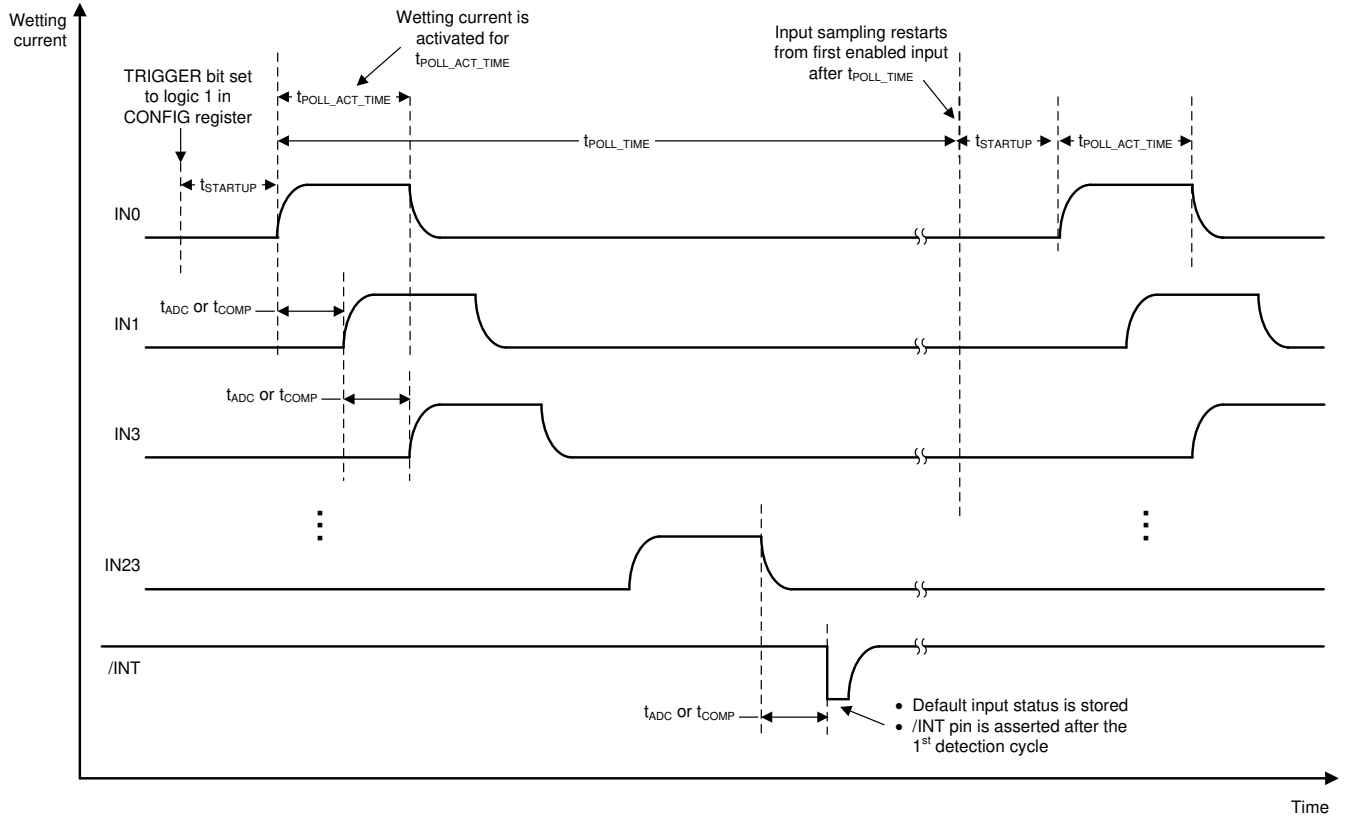
The polling is activated when the TRIGGER bit in the *CONFIG* register is set to logic 1. There are 2 different polling schemes that can be configured in TIC12400-Q1: standard polling and matrix polling.

8.4.2.1 Standard Polling

In standard polling mode, wetting current is applied to each input for a pre-programmed polling active time between 64 μs and 2048 μs , set by the *POLL_ACT_TIME* bits in the *CONFIG* register. At the end of the wetting current application, the input voltage is sampled by the comparator (if input is configured as comparator input mode) or the ADC (if input is configured as ADC input mode). Each input is cycled through in sequential order from IN0 to IN23. Sampling is repeated at a frequency from 2 ms to 4096 ms, set by the *POLL_TIME* bits in the *CONFIG* register. Wetting currents are applied to closed switches only during the polling active time; hence, the overall system current consumption can be greatly reduced.

Similar to continuous mode, after the first polling cycle, the switch status of each input (below or above detection threshold) is stored in registers (*IN_STAT_COMP* for comparator inputs and *IN_STAT_ADC0* to *IN_STAT_ADC1* for ADC inputs) to be used as the default state for subsequent polling cycles. The digital values (if the input is configured as ADC input mode) are stored in the registers *ANA_STAT0* to *ANA_STAT11*. The $\overline{\text{INT}}$ pin is asserted low to notify the microcontroller that the default switch status is ready to be read. The SSC bit in *INT_STAT* register and the SPI status flag SSC are also asserted to logic 1. The *INT_STAT* register is cleared and $\overline{\text{INT}}$ pin de-asserted if a SPI READ command is issued to the register. Note the interrupt is always generated after the 1st polling cycle (after the TRIGGER bit in register *CONFIG* is set to logic 1). In subsequent polling cycles the interrupt is generated only if switch status change is detected.

An example of the timing diagram of the polling mode operation is shown in [Figure 8-12](#).




8-12. An Example of the Polling Sequence in Standard Polling Mode

If the switch position changes between two active polling times, no interrupt will be generated and the status registers (*IN_STAT_COMP* for comparator inputs and *IN_STAT_ADC0* to *IN_STAT_ADC1* for ADC inputs) will not reflect such a change. An example is shown in [Figure 8-13](#).

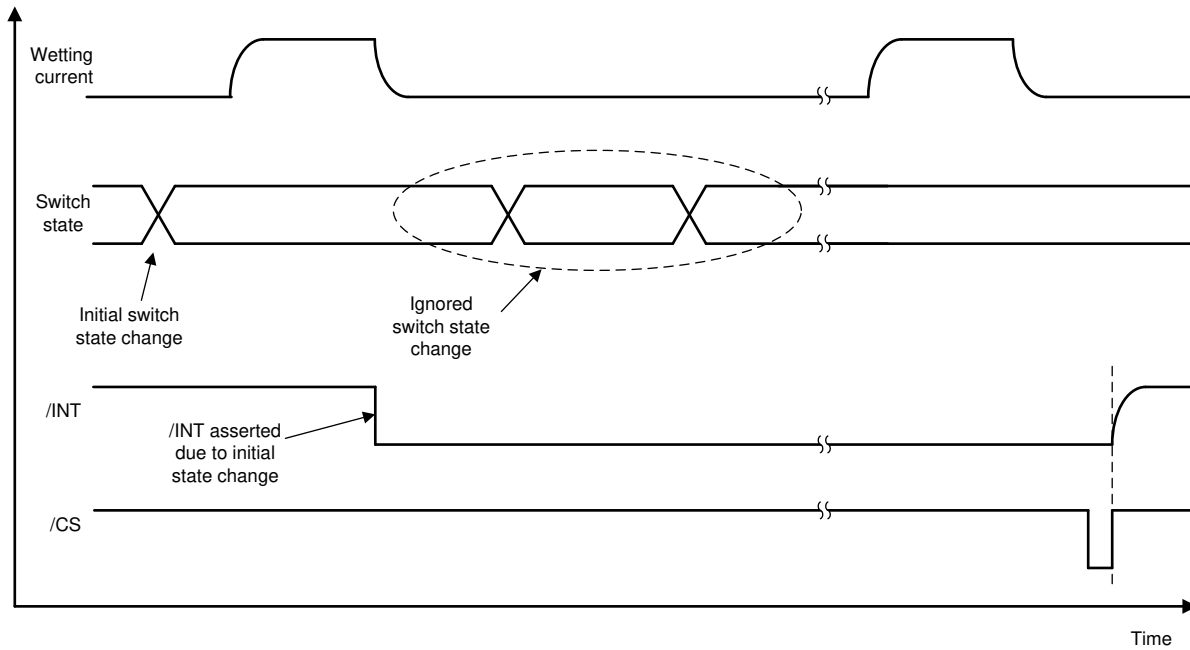
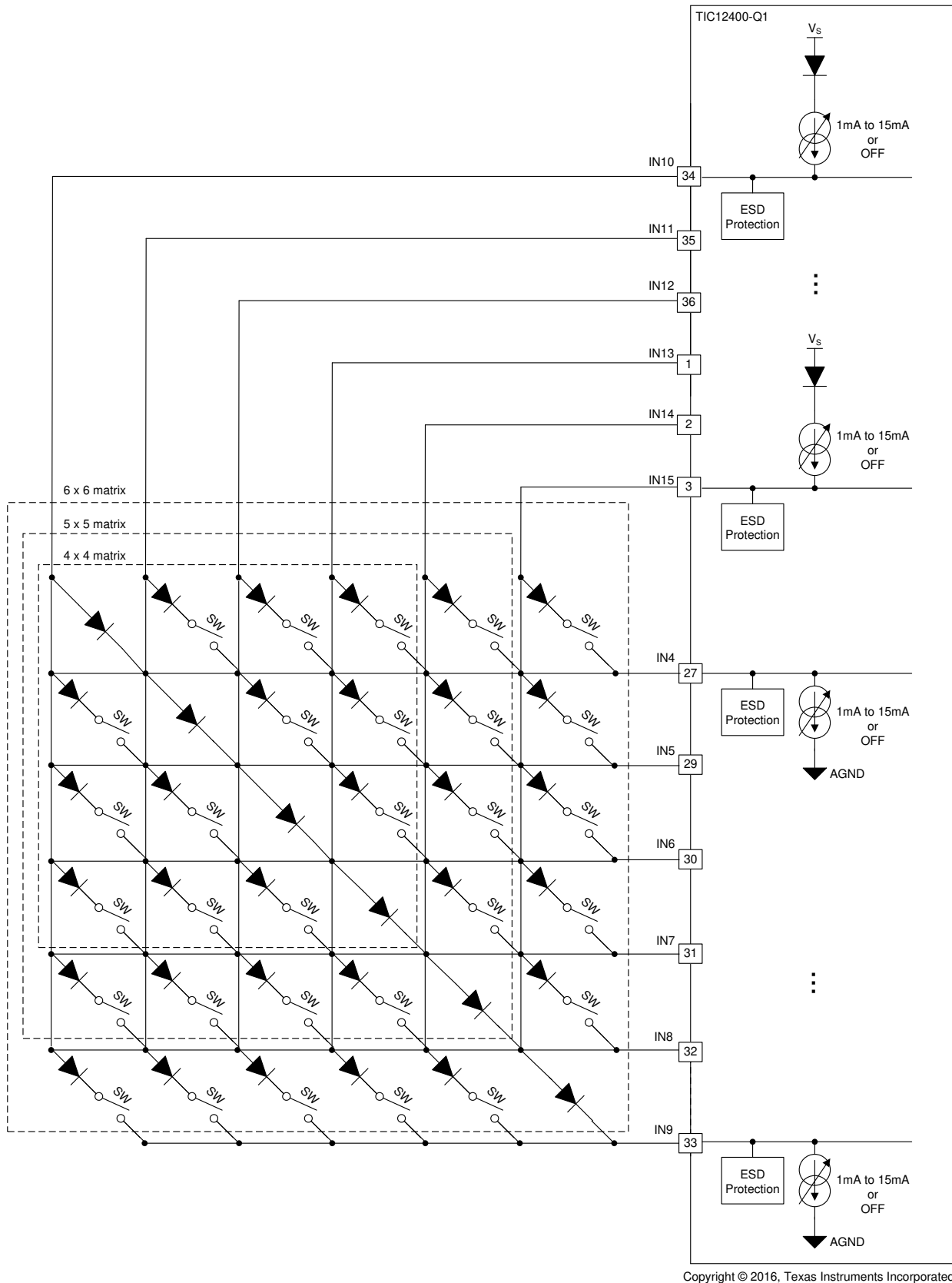


Figure 8-13. Example for Ignored Switch Position Change Between 2 Wetting Current Cycles

8.4.2.2 Matrix polling



Copyright © 2016, Texas Instruments Incorporated

8-14. TIC12400-Q1 Matrix Configuration

From IN4 to IN15 a special input switch matrix (see [Figure 8-14](#)) can be configured and monitored in addition to the standard switches to GND and V_{BAT} . This feature could be useful to monitor a special switch input configuration called Matrix Inputs as required by some specific OEMs.

Three different matrix configurations are possible, and are defined by MATRIX bits in the [MATRIX](#) register. If the MATRIX bits are set to '00' all inputs are treated as standard inputs with identical polling active time according to the POLL_ACT_TIME bits in the [CONFIG](#) register. Any settings other than '00' for MATRIX bits causes the polling active time for the matrix inputs to be configured according to POLL_ACT_TIME_M bits in the [MATRIX](#) register. Inputs that are not part of the matrix configuration will be configured using the POLL_ACT_TIME bits in the [CONFIG](#) register. $t_{POLL_ACT_TIME_M}$ should be configured properly to allow sufficient time for the current source and sink to charge or discharge the capacitors (if any) connected to the switch inputs.

表 8-6. TIC12400-Q1 Matrix Configuration Settings

Input	4 x 4 MATRIX		5 x 5 MATRIX		6 x 6 MATRIX	
	Current Source Or Sink	Polling Active Time Setting	Current Source Or Sink	Polling Active Time Setting	Current Source Or Sink	Polling Active Time Setting
IN4	CSI	POLL_ACT_TIME_M	CSI	POLL_ACT_TIME_M	CSI	POLL_ACT_TIME_M
IN5	CSI		CSI		CSI	
IN6	CSI		CSI		CSI	
IN7	CSI		CSI		CSI	
IN8	Configurable to CSO or CSI	POLL_ACT_TIME	CSI	POLL_ACT_TIME	CSI	
IN9	Configurable to CSO or CSI		Configurable to CSO or CSI		CSI	
IN10	CSO	POLL_ACT_TIME_M	CSO	POLL_ACT_TIME_M	CSO	
IN11	CSO		CSO		CSO	
IN12	CSO		CSO		CSO	
IN13	CSO		CSO		CSO	
IN14	CSO	POLL_ACT_TIME	CSO	POLL_ACT_TIME	CSO	
IN15	CSO		CSO		CSO	

The TIC12400-Q1 implements a different polling scheme when matrix input is configured. After the polling sequence is started (by setting TRIGGER bit in [CONFIG](#) register to logic 1), the polling takes place within the matrix input group first before the rest of the standard inputs are polled. After the matrix inputs are polled, the switch status of each input combination (below or above detection threshold) is stored internally in registers [IN_STAT_MATRIX0](#) and [IN_STAT_MATRIX1](#), and it is used as the default state for subsequent matrix polling cycles. The standard inputs follow the same polling behavior as described in section [Standard Polling](#). After the polling cycle is completed on matrix and standard inputs, the INT pin is asserted low to notify the microcontroller that the default switch status is ready to be read. The SSC bit in the [INT_STAT](#) register and the SPI status flag SSC are also asserted to logic 1.

The [INT_STAT](#) register is cleared and INT pin de-asserted if a SPI READ command is issued to the register. Note: the interrupt is always generated after the 1st complete polling cycle (after the TRIGGER bit in register [CONFIG](#) is set to logic 1). In subsequent polling cycles, the interrupt is generated only if switch status change is detected.

Note the following programming requirement when using the matrix polling:

- It is critical to program the CSO/CSI configuration for each matrix input appropriately according to 表 8-6 to avoid incorrect switch status detection.
- It is mandatory to set higher wetting current for the sinks (IN4-IN9) than the sources (IN10-IN15). The actual current flowing through the external switches will be the lesser of the two settings. If the same setting is used for both the sink and the source, the detected result might be incorrect. Because of this, the 15 mA setting shall not be used for the current sources and the 1 mA setting shall not be used for the current sinks. Depending on the type of matrix switches, the TIC12400-Q1 might require some specific wetting current settings to be able to distinguish between switch open or closed states.
- If TW_CUR_DIS_CSO or TW_CUR_DIS_CSI is set to logic 0 in the **CONFIG** register, wetting current is reduced to 2 mA for 10 mA and 15 mA settings upon TW event. Since it's mandatory to have higher wetting current for the sinks (IN4-IN9) than the sources (IN10-IN15) during matrix polling, 表 8-7 below summarizes the only possible settings if TW event is expected:

表 8-7. Possible Wetting Current Settings for the Matrix Polling Mode if TW_CUR_DIS=0 and TW Event is Expected

CSO (IN10-IN15)	CSI (IN4-IN9)	RESULTING WETTING CURRENT
1 mA	2 mA, 5 mA, 10 mA, and 15 mA	1 mA
2 mA	5 mA	2 mA

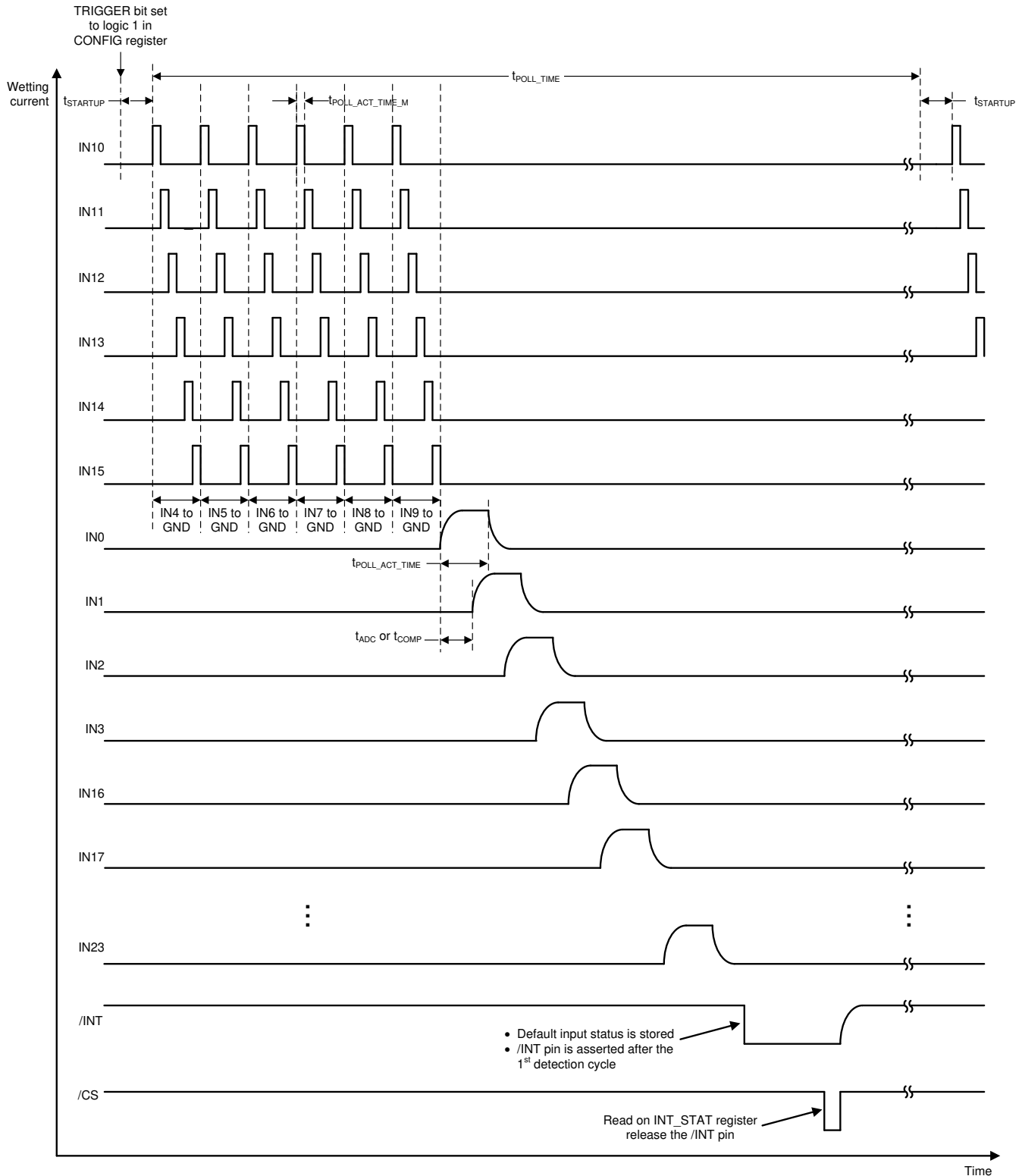
If higher wetting current is needed and TW event might be expected, the TW wetting current reduction feature needs to be disabled by setting TW_CUR_DIS_CSO or TW_CUR_DIS_CSI bit in the **CONFIG** register to 1.

- Only comparator input mode is supported for the matrix polling. Do not program the matrix inputs into ADC input mode. The comparison takes place on the source side (IN10-IN15) since the sink side is pulled to ground. Interrupt generation condition can be set by configuring the **INT_EN_COMP1** and **INT_EN_COMP2** registers for inputs IN10 to IN15.

Some programmability is removed when matrix polling mode is used, as listed below:

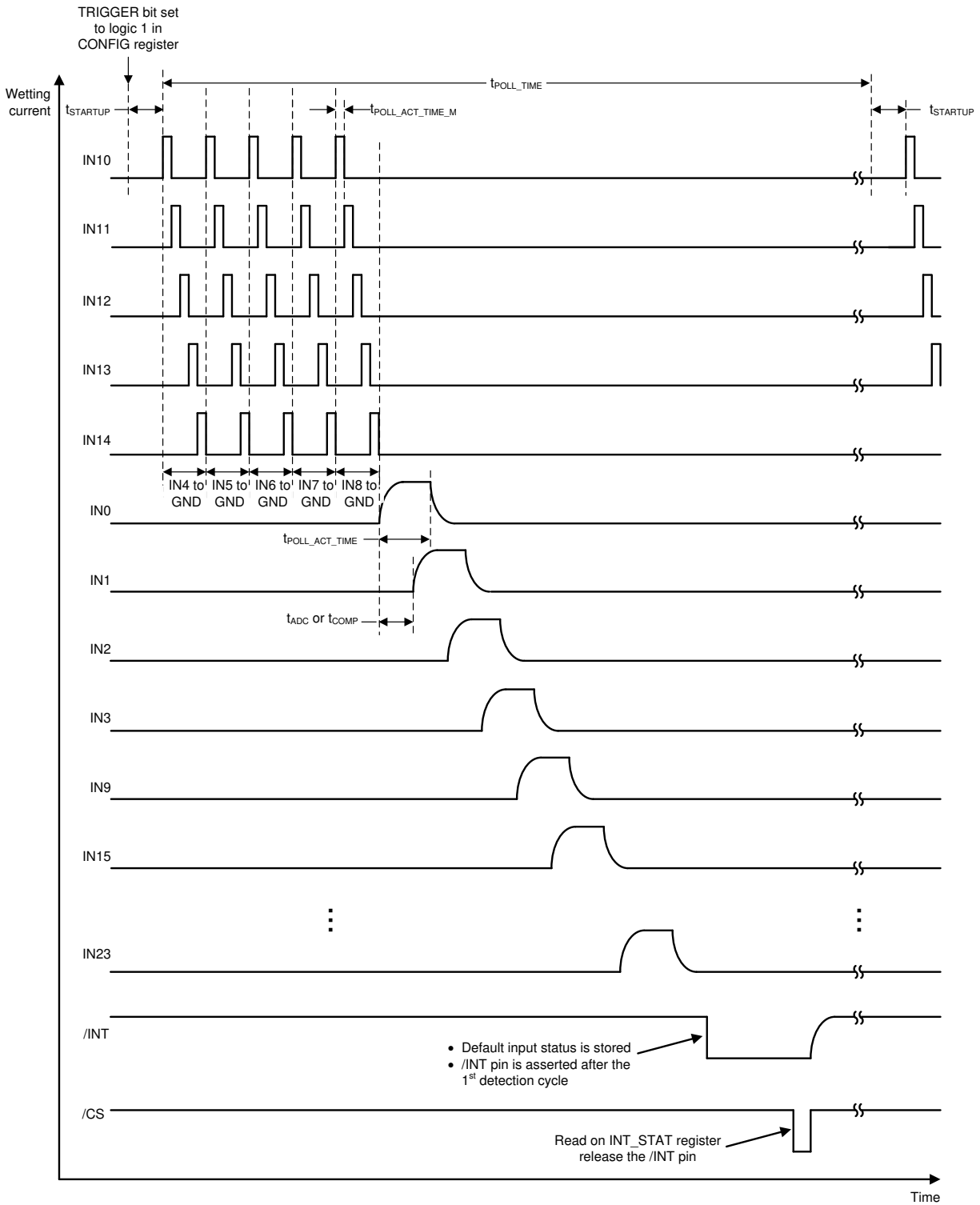
- To keep the polling scheme simple, the ability to disable inputs is removed for the matrix inputs. Only 3 configurations (4×4, 5×5, and 6×6) can be used for the matrix polling. Standard inputs outside the matrix input group can still be disabled, if desired.
- Detection filter (by configuring the DET_FILTER in the **CONFIG** register) does not apply to the matrix inputs, but still applies to the standard inputs outside the matrix input group.
- When matrix polling is selected, continuous mode is not available to the standard inputs outside the matrix input group.

8-15 illustrates an example of the polling sequence for the 6×6 matrix input configuration:



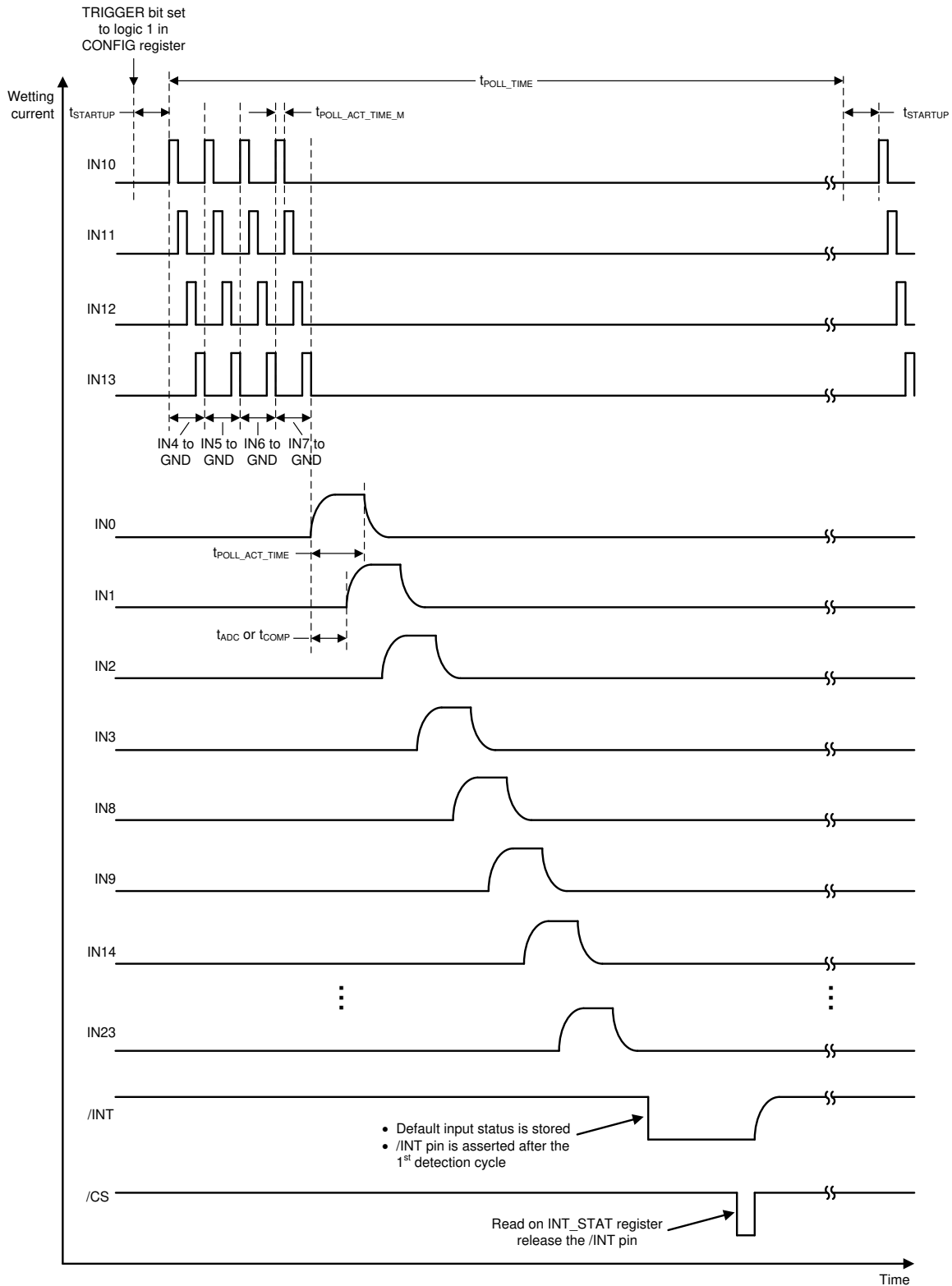
8-15. Polling Scheme for 6×6 Matrix Inputs

8-16 illustrates an example of the polling sequence for the 5×5 matrix input configuration. Note: the input IN9 and IN15 are included in the standard polling sequence.



8-16. Polling Scheme for 5×5 Matrix Inputs

8-17 illustrates an example of the polling sequence for the 4x4 matrix input configuration. Note: inputs IN8, IN9, IN14, and IN15 are included in the standard polling sequence.



8-17. Polling Scheme for 4x4 Matrix Inputs

8.4.3 Additional Features

There are additional features that can be enabled during continuous and polling mode to increase robustness of device operation or provide more system information. These features are described in detail in the following sections.

8.4.3.1 Clean Current Polling (CCP)

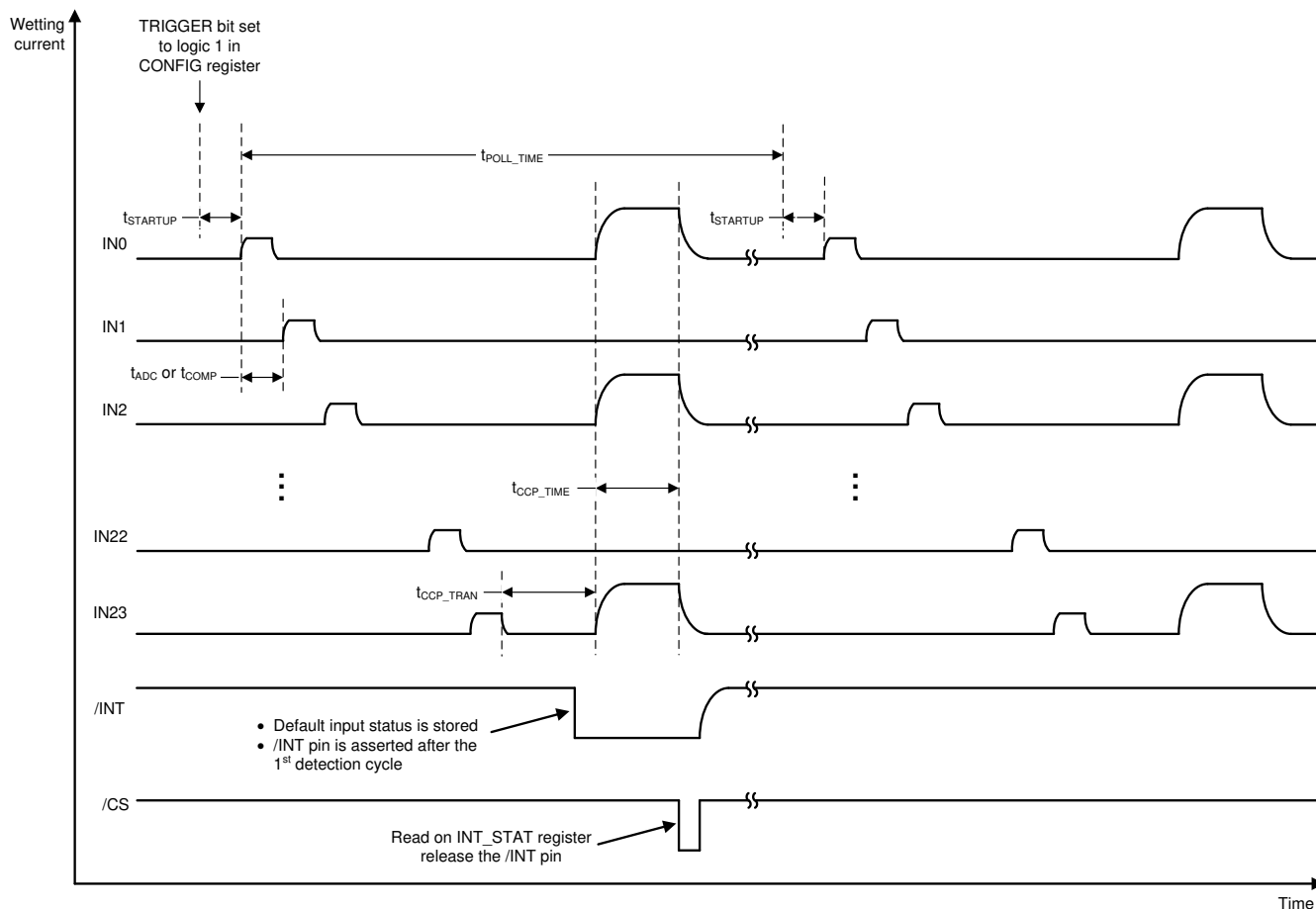
To detect resistor coded switches or reduce overall power consumption of the chip, a lower wetting current setting is recommended. However, certain system design requires 10 mA or higher cleaning current to clear oxide build-up on the mechanical switch contact surface when the current is applied to closed switches. A special type of polling, called the Clean Current Polling (CCP), can be used for this application.

If CCP is enabled each polling cycle consists of two wetting current activation steps. The first step uses the wetting current setting configured in the [WC_CFG0](#) and [WC_CFG1](#) registers as in the continuous mode or polling mode. The second step (cleaning cycle) is activated simultaneously for all CCP enabled inputs at a time t_{CCP_TRAN} after the normal polling step of the last enabled input. Interrupt generation and \overline{INT} pin assertion is not impacted by the clean current pulses.

The wetting current and its active time for the cleaning cycle can be configured in the [CCP_CFG0](#) register. The cleaning cycle can be disabled, if desired, for each individual input by programming the [CCP_CFG1](#) register. CCP is available for both continuous mode and polling mode. To use the CCP feature, at least one input (standard or matrix) or the [セクション 8.4.3.3](#) has to be enabled.

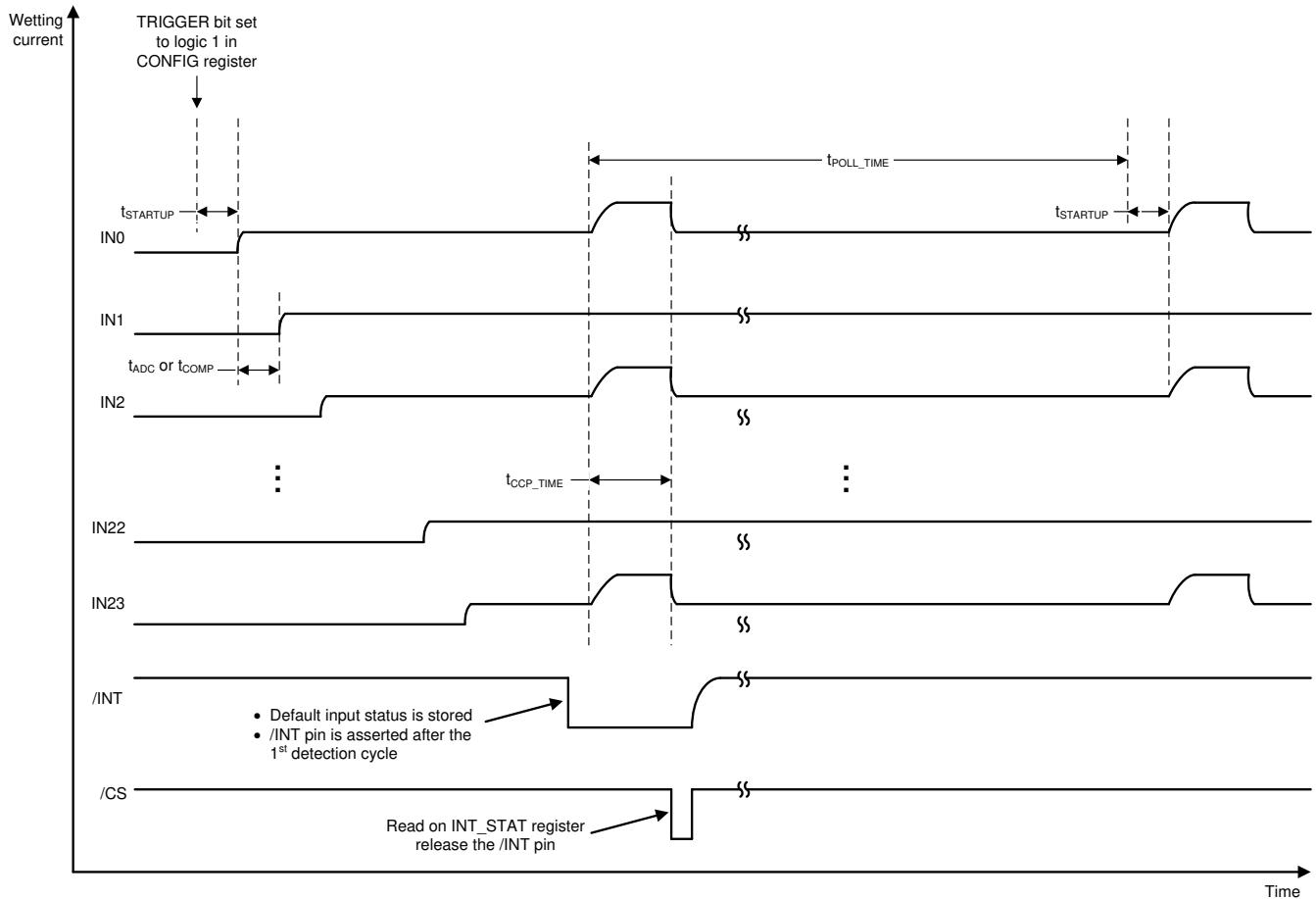
Note: that although CCP can be enabled in Matrix polling mode, it is not an effective way to clean the matrix switch contact, since the current supplied from the TIC12400-Q1 is divided and distributed across multiple matrix channels.

8-18 illustrates the operation of the CCP when the device is configured to the standard polling mode.



8-18. Standard Polling With CCP Enabled

8-19 illustrates the operation of the CCP when the device is configured to the continuous mode:



8-19. Continue Mode With CCP Enabled

8.4.3.2 Wetting Current Auto-Scaling

The 10 mA and 15 mA wetting current settings are useful to clean oxide build-up on the mechanical switch contact surface when the switch changes state from open to close. After the switch is closed, it is undesirable to keep the wetting current level at high level if only digital switches are monitored since it results in high current consumption and could potentially heat up the device quickly if multiple inputs are monitored. The wetting current auto-scaling feature helps mitigate this issue.

When enabled (AUTO_SCALE_DIS_CSO or AUTO_SCALE_DIS_CSI bit = logic 0 in the *WC_CFG1* register), wetting current is reduced to 2 mA from 10 mA or 15 mA setting after switch closure is detected. The threshold used to determine a switch closure is the threshold configured in the *THRES_COMP* register for inputs configured as comparator input mode. For inputs configured as ADC input mode, the threshold used to determine a switch closure depends on the input number, as described in 表 8-8 below.

表 8-8. Threshold Used to Determine a Switch Closure for Wetting Current Auto-scaling for ADC Inputs

INPUT	THRESHOLD USED TO DETERMINE A SWITCH CLOSURE
IN0-IN11	Mapped threshold from THRES0 to THRES7
IN12 to IN17	THRES2B
IN18 to IN22	THRES3C
IN23	THRES9

The current reduction takes place N cycles after switch closure is detected on an input, where N depends on the setting of the DET_FILTER bits in the [CONFIG](#) register:

- DET_FILTER= 00: wetting current is reduced immediately in the next detection cycle after a closed switch is detected.
- DET_FILTER= 01: wetting current is reduced when a closed switch is detected and the switch status is stable for at least 2 consecutive detection cycles.
- DET_FILTER= 10: wetting current is reduced when a closed switch is detected and the switch status is stable for at least 3 consecutive detection cycles.
- DET_FILTER= 11: wetting current is reduced when a closed switch is detected and the switch status is stable for at least 4 consecutive detection cycles.

The wetting current is adjusted back to the original setting of 10 mA or 15 mA at a time of N cycles after an open switch is detected, where N again depends on the DET_FILTER bit setting in the [CONFIG](#) register. [Figure 8-20](#) depicts the behavior of the wetting current auto-scaling feature.

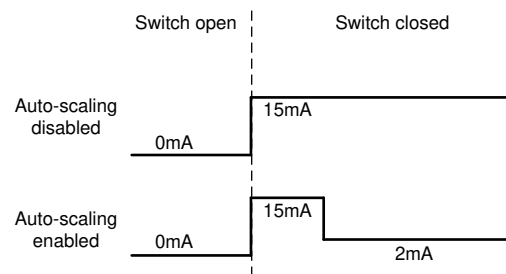


Figure 8-20. Wetting Current Auto-scaling Behavior

The wetting current auto-scaling only applies to 10 mA and 15 mA settings and is only available in continuous mode. If AUTO_SCALE_DIS_CSO or AUTO_SCALE_DIS_CSI bit is set to logic 1 in the [WC_CFG1](#) registers, the wetting current stays at its original setting when a closed switch is detected. Power dissipation needs to be closely monitored when wetting current auto-scaling is disabled for multiple inputs as the device could heat up quickly when high wetting current settings are used. If the auto-scaling feature is disabled in continuous mode, the total power dissipation can be approximated using [Equation 1](#).

$$P_{TOTAL} = V_S \times (I_{S_CONT} + I_{WETT(TOTAL)}) \quad (1)$$

where $I_{WETT(TOTAL)}$ is the sum of all wetting currents from all input channels. Increase in device junction temperature can be calculated based on $P \times R_{\theta JA}$. The junction temperature must be below T_{TSD} for proper device operation. An interrupt will be issued when the junction temperature exceeds T_{TW} or T_{TSD} . For detailed description of the temperature monitoring, please refer to sections [Temperature Warning \(TW\)](#) and [Temperature Shutdown \(TSD\)](#).

8.4.3.3 V_S Measurement

When the TIC12400-Q1 is used to monitor resistor-coded switches, the V_S supply voltage level becomes critical. If V_S is not sufficiently high, the device might not have enough headroom to produce accurate wetting currents. This could impact the accuracy of the switch status monitoring. It is imperative for the microcontroller to have knowledge of the V_S voltage on a constant basis in such a case.

Measurement of V_S voltage is a feature in TIC12400-Q1 that can be enabled by setting the VS_MEAS_EN bit in register [CONFIG](#) to logic 1. If enabled, at the end of every detection and polling cycle, the voltage on the V_S pin is sampled and converted by the ADC to a digital value. The conversion takes one extra t_{ADC} , and the converted value is recorded in the [ANA_STAT12](#) register.

The V_S measurement supports two different V_S voltage ranges that can be configured by the VS_RATIO bit in the [CONFIG](#) register. By default (VS_RATIO= logic 0), the supported V_S voltage range is from 4.5 V to 9 V, and V_S voltage in excess of 9 V results in a saturated ADC raw code of 1023. This setting provides better measurement resolution at lower V_S voltages. When VS_RATIO bit is set to logic 1, the supported V_S voltage

range is widened to 4.5 V to 30 V, and V_S voltage in excess of 30 V results in a saturated ADC raw code of 1023. This setting allows wider measurement range but more coarse measurement resolution. It is important to adjust the detection thresholds accordingly depending on the V_S voltage range configured.

Four different measurement thresholds can be programmed by the TIC12400-Q1: $VS0_THRES2A/B$ and $VS1_THRES2A/B$. The value of these thresholds can be programmed by configuring registers [THRES_CFG0](#) to [THRES_CFG3](#) and the mapping can be programmed by configuring registers $THRESMAP_VS0_THRES2A/B$ and $THRESMAP_VS1_THRES2A/B$ bits in the register [THRESMAP_CFG2](#). When setting the thresholds follow the rules in [表 8-9](#) below.

表 8-9. Proper Threshold Configuration for V_S Measurements

V_S THRESHOLD	PROPER THRESHOLD CONFIGURATION
VS0	$VS0_THRES2B \geq VS0_THRES2A$
VS1	$VS1_THRES2B \geq VS1_THRES2A$

After the V_S measurement is enabled for the first time, the V_S measurement interrupt is always generated (\overline{INT} pin is asserted low, and the $VS0$ or $VS1$ bit in the [INT_STAT](#) register is flagged to logic 1) at the end of the first polling cycle to notify the microcontroller the initial V_S measurement result is ready to be retrieved. The $VS0_STAT$ and $VS1_STAT$ bits from register [IN_STAT_MISC](#) indicate the status of the V_S voltage with respect to the thresholds, and the [ANA_STAT12](#) register stores the converted digital value of the V_S voltage. The SPI status flag VS_TH is also asserted to logic 1 during SPI communications. Note the status detected in the first polling cycle becomes the baseline value of comparison for subsequent V_S measurements and the interrupt will be generated only if threshold crossing is detected.

Similar to regular inputs, the interrupt generation conditions can be programmed by setting the VS_TH0_EN and VS_TH1_EN bits in the [INT_EN_CFG4](#) register to the following settings:

- Rising edge:** an interrupt is generated if the current V_S measurement is above the corresponding threshold and the previous measurement was below.
- Falling edge:** an interrupt is generated if the current V_S measurement is below the corresponding threshold and the previous measurement was above.
- Both edges:** changes of the V_S measurement status in either direction results in an interrupt generation.

Interrupt generation can also be disabled by setting VS_TH0_EN or VS_TH1_EN to logic 0 in register [INT_EN_CFG4](#). Once disabled, V_S voltage crossing does not flag the $VS0$ or $VS1$ bit in [INT_STAT](#) register and does not assert \overline{INT} pin low. To only mask the \overline{INT} pin from assertion (while keeping [INT_STAT](#) register updated), configure the $VS1_EN$ and $VS0_EN$ bits in register [INT_EN_CFG0](#) to logic 0.

Note the V_S measurement is only intended to be used as part of switch detection sequence to determine the validity of the switch detection states that are reported by the TIC12400-Q1. It is not intended to be used for standalone supply monitoring, such as monitoring cranking voltages, due to the potentially delayed response being part of the polling sequence. The V_S measurement result is accurate for V_S above 4.5 V.

By default, the V_S voltage measurement is disabled upon device reset.

8.4.3.4 Wetting Current Diagnostic

When the TIC12400-Q1 is used to monitor safety-critical switches, it may be valuable for the microcontroller to have knowledge of the operating status of the wetting current sources and sinks. This can be achieved by activating the wetting current diagnostic feature provided for inputs $IN0$ to $IN3$. $IN0$ and $IN1$ can be diagnosed for defective wetting current sources, while $IN2$ and $IN3$ can be diagnosed for defective current sinks.

The wetting current diagnostic feature can be activated by setting the $WET_D_INx_EN$ bits in the [CONFIG](#) register to 1 for the desired inputs, where x can be 0, 1, 2, or 3. If activated, the TIC12400-Q1 checks the status of the wetting current sources and sinks for the configured input periodically as part of the polling sequence. If the wetting current is determined to be flawed, the TIC12400-Q1 pulls the \overline{INT} pin low to notify the host and flag the WET_DIAG bit in the [INT_STAT](#) register to logic 1. The OI bit in the SPI flag is also asserted during SPI transactions. The microcontroller can then read bits $IN0_D$ to $IN3_D$ in register [IN_STAT_MISC](#) to learn more information on which wetting current source/sink is defective.

The wetting current diagnostic is not performed for inputs that are disabled (IN_EN_x bit = 0 in the *IN_EN* register) from polling, even if the feature is activated for those inputs. Also, it is critical to configure the current source/sink appropriately (CSO for IN0 and IN1, and CSI for IN2 and IN3) and program the input to ADC input mode before activating the wetting current diagnostic feature to prevent false interrupts from being generated. The wetting current diagnostic feature can be performed regardless of the states of external switches, and it is available in both continuous mode and polling mode.

Figure 8-21 shows an example of the feature carried out in a typical polling sequence. In this example, it can be observed that the wetting current is activated for duration of $t_{\text{POLL_ACT}} + t_{\text{ADC}}$ (or t_{COMP}) for each input diagnosed (IN0 or IN2). Normal polling sequence resumes with IN4 and the wetting current is activated for $t_{\text{POLL_ACT}}$ for the rest of the inputs. The diagnostic is not executed on inputs IN1 and IN3 in this example since they are disabled.

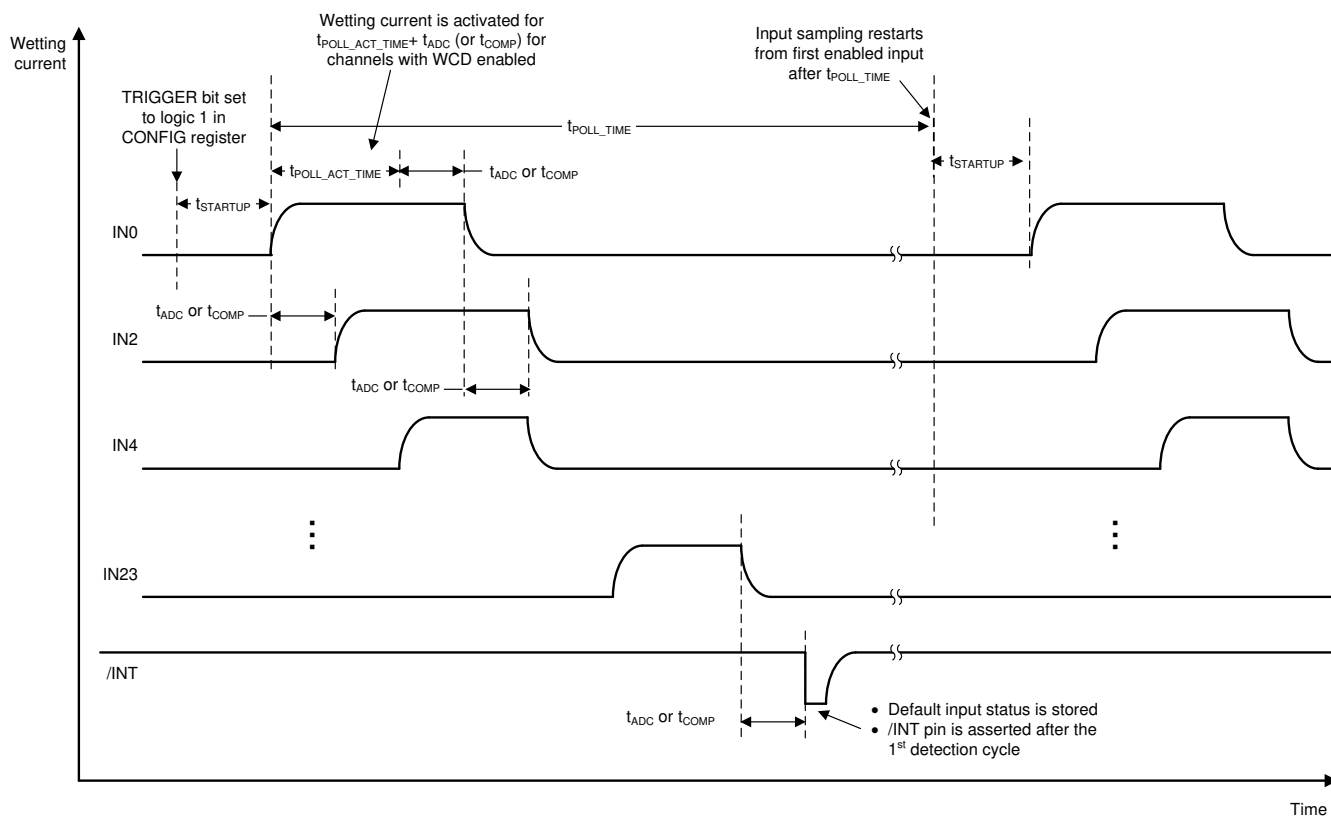


Figure 8-21. An Example of the Polling Sequence in Standard Polling Mode With Wetting Current Diagnostic Enabled

8.4.3.5 ADC Self-Diagnostic

In addition to the wetting current diagnostic, another feature—the ADC self-diagnostic, can be enabled to monitor the integrity of the internal ADC.

The ADC self-diagnostic feature is activated by setting the ADC_DIAG_T bit in the *CONFIG* register to logic 1. Once enabled, the TIC12400-Q1 periodically sends a test voltage to the ADC. The conversion result is stored in the ADC_SELF_ANA bits in the register *ANA_STAT12* and is compared with a pre-defined code to determine whether the conversion is performed properly. If an error is detected, the TIC12400-Q1 pulls the $\overline{\text{INT}}$ pin low to notify the host and flag the ADC_DIAG bit in the *INT_STAT* to logic 1. The bit ADC_D in register *IN_STAT_MISC* is updated with the result from the self-diagnostic. The ADC self-diagnostic feature is available in both continuous mode and polling mode.

8.5 Programming

The SPI interface communication consists of the 4 pins: \overline{CS} , SCLK, SI, and SO. The interface can work with SCLK frequency up to 4 MHz.

8.5.1 SPI Communication Interface Buses

8.5.1.1 Chip Select (\overline{CS})

The system microcontroller selects the TIC12400-Q1 to receive communication using the \overline{CS} pin. With the \overline{CS} pin in a logic LOW state, command words may be sent to the TIC12400-Q1 through the serial input (SI) pin, and the device information can be retrieved by the microcontroller via the serial output (SO) pin. The falling edge of the \overline{CS} enables the SO output and latches the content of the interrupt register INT_STAT. The microcontroller may issue a READ command to retrieve information stored in the registers. Rising edge on the \overline{CS} pin initiates the following operations:

1. Disable the output driver and makes SO high-impedance.
2. \overline{INT} pin is reset to logic HIGH if a READ command to the INT_STAT register was issued during $\overline{CS} = \text{LOW}$.

To avoid corrupted data, it is essential the HIGH-to-LOW and LOW-to-HIGH transitions of the \overline{CS} signal occur only when SCLK is in a logic LOW state. A clean \overline{CS} signal is needed to ensure no incomplete SPI words are sent to the device. The \overline{CS} pin should be externally pulled up to VDD by a 10 k Ω resistor.

8.5.1.2 System Clock (SCLK)

The system clock (SCLK) input is used to clock the internal shift register of the TIC12400-Q1. The SI data is latched into the input shift register on the falling edge of the SCLK signal. The SO pin shifts the device stored information out on the rising edge of SCLK. The SO data is available for the microcontroller to read on the falling edge of SCLK.

False clocking of the shift register must be avoided to ensure validity of data and it is essential the SCLK pin be in a logic LOW state whenever \overline{CS} makes any transition. Therefore, it is recommended that the SCLK pin gets pulled to a logic LOW state as long as the device is not accessed and \overline{CS} is in a logic HIGH state. When the \overline{CS} is in a logic HIGH state, any signal on the SCLK and SI pins will be ignored and the SO pin remains as a high impedance output. Refer to [Figure 8-22](#) and [Figure 8-23](#) for examples of typical SPI read and write sequence.

8.5.1.3 Slave In (SI)

The SI pin is used for serial instruction data input. SI information is latched into the input register on the falling edge of the SCLK. To program a complete word, 32 bits of information must be entered into the device. The SPI logic counts the number of bits clocked into the IC and enables data latching only if exactly 32 bits have been clocked in. In case the word length exceeds or does not meet the required length, the SPI_FAIL bit of the INT_STAT register is asserted to logic 1 and the \overline{INT} pin will be asserted low. The data received is considered invalid. Note the SPI_FAIL bit is not flagged if SCLK is not present.

8.5.1.4 Slave Out (SO)

The SO pin is the output from the internal shift register. The SO pin remains high-impedance until the \overline{CS} pin transitions to a logic LOW state. The negative transition of \overline{CS} enables the SO output driver and drives the SO output to the HIGH state (by default). The first positive transition of SCLK makes the status data bit 31 available on the SO pin. Each successive positive clock makes the next status data bit available for the microcontroller to read on the falling edge of SCLK. The SI/SO shifting of the data follows a first-in, first-out scheme, with both input and output words transferring the most significant bit (MSB) first.

8.5.2 SPI Sequence

Figure 8-22 and Figure 8-23 depict the SPI communication sequence during read and write operations for the TIC12400-Q1.

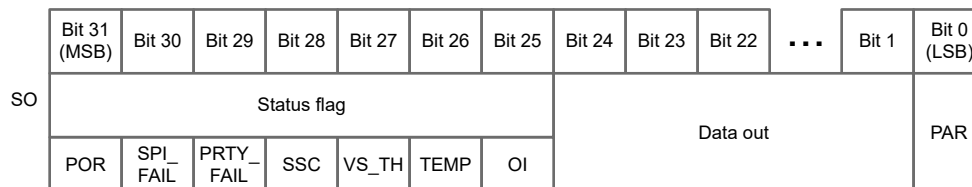
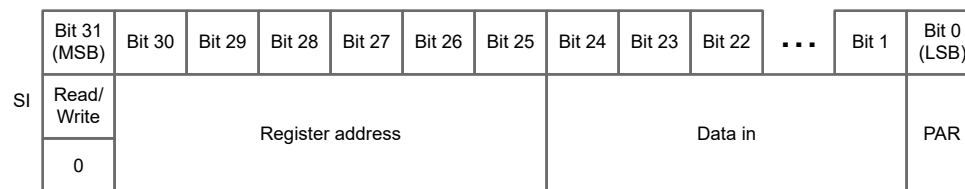


Figure 8-22. TIC12400-Q1 Read SPI Sequence

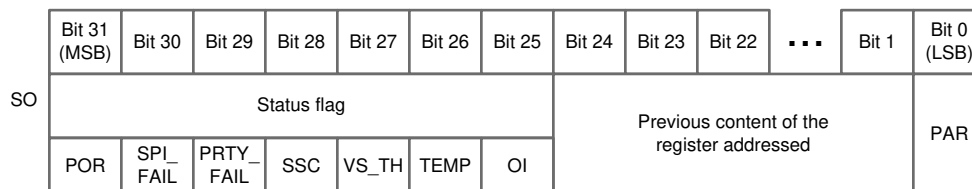
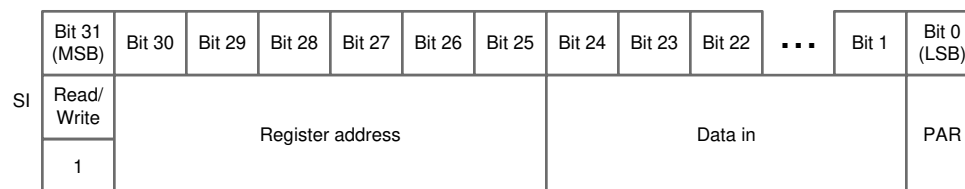


Figure 8-23. TIC12400-Q1 Write SPI Sequence

8.5.2.1 Read Operation

The Read/Write bit (bit 31) of the SI bus needs to be set to logic 0 for a READ operation. The 6-bits address of the register to be accessed follows next on the SI bus. The content from bit 24 to bit 1 does not represent a valid command for a read operation and will be ignored. The LSB (bit 0) is the parity bit used to detect communication errors.

On the SO bus, the status flags will be outputted from the TIC12400-Q1, followed by the data content in the register that was requested. The LSB is the parity bit used to detect communication errors.

Note there are several test mode registers used in the TIC12400-Q1 in addition to the normal functional registers, and a READ command to these test registers returns the register content. If a READ command is issued to an invalid register address, the TIC12400-Q1 returns all 0s.

8.5.2.2 Write Operation

The Read/Write bit (bit 31) on the SI bus needs to be set to 1 for a write operation. The 6-bits address of the register to be accessed follows next on the SI bus. Note: the register needs to be a writable configuration register, or otherwise the command will be ignored. The content from bit 24 to bit 1 represents the data to be written to the register. The LSB (bit 0) is the parity bit used to detect communication errors.

On the SO bus, the status flags will be output from the TIC12400-Q1, followed by the previous data content of the written register. The previous content of the register is latched after the full register address is decoded in the SI command (after bit 25 is transmitted). The new data will replace the previous data content at the end of the SPI transaction if the SI write is a valid command (valid register address and no SPI/parity error). If the write command is invalid, the new data will be ignored and the register content will remain unchanged. The LSB is the parity bit used to detect communication errors.

Note: there are several test mode registers used in the TIC12400-Q1 in addition to the normal functional registers. A WRITE command to these test registers has no effect on the register content, even though the register content is returned on the SO output. If a WRITE command is issued to an invalid register address, the SO output returns all 0s.

8.5.2.3 Status Flag

The status flags are output from SO during every READ or WRITE SPI transaction to indicate system conditions. These bits do not belong to an actual register, but their content is mirrored from the interrupt register INT_STAT. A READ command executed on the INT_STAT would clear both the bits inside the register and the status flag. The following table describes the information that can be obtained from each SPI status flag:

表 8-10. TIC12400-Q1 SPI Status Flag Description

SYMBOL	NAME	DESCRIPTION
POR	Power-on Reset	This flag mirrors the POR bit in the interrupt register INT_STAT, and it indicates, if set to 1, that a reset event has occurred. This bit is asserted after a successful power-on-reset, hardware reset, or software reset. Refer to セグメント 8.3.5 for more details.
SPI_FAIL	SPI Error	This flag mirrors the SPI_FAIL bit in the interrupt register INT_STAT and it indicates, if set to 1, that the last SPI responder in (SI) transaction is invalid. To program a complete word, 32 bits of information must be entered into the device. The SPI logic counts the number of bits clocked into the IC and enables data latching only if exactly 32 bits have been clocked in. In case the word length exceeds or does not meet the required size, the SPI_FAIL bit, which mirrors its value to this SPI_FAIL status flag, of the interrupt register INT_STAT will be set to 1 and the INT pin will be asserted low. The data received will be considered invalid. Once the INT_STAT register is read, its content will be cleared on the rising edge of CS. The SPI_FAIL status flag, which mirrors the SPI_FAIL bit in the INT_STAT register, will also be de-asserted. Note the SPI_FAIL bit is not flagged if SCLK is not present.
PRTY_FAIL	Parity Fail	This flag mirrors the PRTY_FAIL bit in the interrupt register INT_STAT and it indicates, if set to 1, that the last SPI responder in (SI) transaction has a parity error. The device uses odd parity. If the total number of ones in the received data (including the parity bit) is an even number, the received data is discarded. The INT will be asserted low and the PRTY_FAIL bit in the interrupt register (INT_STAT) is flagged to logic 1, and the PRTY_FAIL status flag, which mirrors the PRTY_FAIL bit in the INT_STAT register, is also set to 1. Once the INT_STAT register is read, its content will be cleared on the rising edge of CS. The PRTY_FAIL status flag, which mirrors the PRTY_FAIL bit in the INT_STAT register, will also be de-asserted.
SSC	Switch State Change	This flag mirrors the SSC bit in the interrupt register INT_STAT and it indicates, if set to 1, that one or more switch inputs crossed a threshold. To determine the origin of the state change, the microcontroller can read the content of registers IN_STAT_COMP (if input is set to comparator input mode), IN_STAT_ADC0 to IN_STAT_ADC1 (if input is set to ADC input mode), or IN_STAT_MATRIX0 to IN_STAT_MATRIX1 (if input is set to matrix input). Once the interrupt register (INT_STAT) is read, its content will be cleared on the rising edge of CS. The SSC status flag, which mirrors the SSC bit in the INT_STAT register, will also be de-asserted.
VS_TH	V _S Threshold Crossing	This flag is set to 1 if either VS0 or VS1 bit in the interrupt register INT_STAT is flagged to 1. It indicates the V _S voltage crosses one or more thresholds defined by VS0_THRES2A, VS0_THRES2B, VS1_THRES2A, or VS1_THRES2B. To determine the origin of the threshold crossing, the microcontroller can read register bits VS0_STAT and VS1_STAT in the register IN_STAT_MISC. Once the interrupt register (INT_STAT) is read, its content will be cleared on the rising edge of CS, and the VS_TH status flag will also be de-asserted.
TEMP	Temperature Event	This flag is set to 1 if either Temperature Warning (TW) or Temperature Shutdown (TSD) bit in the interrupt register INT_STAT is flagged to 1. It indicates a TW event or a TSD event has occurred. It is also flagged to 1 if a TW event or a TSD event is cleared. The interrupt register INT_STAT should be read to determine which event occurred. The SPI controller can also read the IN_STAT_MISC register to get information on the temperature status of the device. Once the interrupt register (INT_STAT) is read, its content will be cleared on the rising edge of CS, and the TEMP status flag will also be de-asserted.
OI	Other Interrupt	Other interrupt include interrupts such as OV, UV, CRC_CALC, WET_DIAG, ADC_DIAG and CHK_FAIL. This flag will be asserted 1 when any of the above mentioned bits is flagged in the interrupt register INT_STAT. The interrupt register INT_STAT should be read to determine which one or more events occurred. The SPI controller can also read the IN_STAT_MISC register to get information on the latest status of the device. Once the INT_STAT register is read, its content will be cleared on the rising edge of CS, and the OI status flag will also be de-asserted.

8.6 Register Maps

表 8-11 lists the memory-mapped registers for the TIC12400-Q1. All register offset addresses not listed in 表 8-11 should be considered as reserved locations and the register contents should not be modified.

表 8-11. TIC12400-Q1 Registers

OFFSET	TYPE	RESET	ACRONYM	REGISTER NAME	SECTION
1h	R	20h	DEVICE_ID	Device ID Register	Go
2h	RC	1h	INT_STAT	Interrupt Status Register	Go
3h	R	FFFFh	CRC	CRC Result Register	Go
4h	R	0h	IN_STAT_MISC	Miscellaneous Status Register	Go
5h	R	0h	IN_STAT_COMP	Comparator Status Register	Go
6h-7h	R	0h	IN_STAT_ADC0, IN_STAT_ADC1	ADC Status Register	Go
8h-9h	R	0h	IN_STAT_MATRIX0, IN_STAT_MATRIX1	Matrix Status Register	Go
Ah-16h	R	0h	ANA_STAT0- ANA_STAT12	ADC Raw Code Register	Go
17h-19h	—	—	RESERVED	RESERVED	—
1Ah	R/W	0h	CONFIG	Device Global Configuration Register	Go
1Bh	R/W	0h	IN_EN	Input Enable Register	Go
1Ch	R/W	0h	CS_SELECT	Current Source/Sink Selection Register	Go
1Dh-1Eh	R/W	0h	WC_CFG0, WC_CFG1	Wetting Current Configuration Register	Go
1Fh-20h	R/W	0h	CCP_CFG0, CCP_CFG1	Clean Current Polling Register	Go
21h	R/W	0h	THRES_COMP	Comparator Threshold Control Register	Go
22h-23h	R/W	0h	INT_EN_COMP1, INT_EN_COMP2	Comparator Input Interrupt Generation Control Register	Go
24h	R/W	0h	INT_EN_CFG0	Global Interrupt Generation Control Register	Go
25h-28h	R/W	0h	INT_EN_CFG1- INT_EN_CFG4	ADC Input Interrupt Generation Control Register	Go
29h-2Dh	R/W	0h	THRES_CFG0- THRES_CFG4	ADC Threshold Control Register	Go
2Eh- 30h	R/W	0h	THRESMAP_CFG0- THRESMAP_CFG2	ADC Threshold Mapping Register	Go
31h	R/W	0h	Matrix	Matrix Setting Register	Go
32h	R/W	0h	Mode	Mode Setting Register	Go

8.6.1 DEVICE_ID Register (Offset = 1h) [Reset = 20h]

DEVICE_ID is shown in [Figure 8-24](#) and described in [Table 8-12](#).

Return to [Summary Table](#).

This register represents the device ID of the TIC12400-Q1.

Figure 8-24. DEVICE_ID Register

23	22	21	20	19	18	17	16	15	14	13	12
RESERVED											
R-0h											
11	10	9	8	7	6	5	4	3	2	1	0
RESERVED	MAJOR						MINOR				
R-0h				R-2h				R-0h			

LEGEND: R = Read only

Table 8-12. DEVICE_ID Register Field Descriptions

Bit	Field	Type	Reset	Description
23-11	RESERVED	R	0h	RESERVED
10-4	MAJOR	R	2h	These 7 bits represents major revision ID. For TIC12400-Q1 the major revision ID is 2h.
3-0	MINOR	R	0h	These 4 bits represents minor revision ID. For TIC12400-Q1 the minor revision ID is 0h

8.6.2 INT_STAT Register (Offset = 2h) [reset = 1h]

INT_STAT is shown in [Figure 8-25](#) and described in [Table 8-13](#).

Return to [Summary Table](#).

This register records the information of the event as it occurs in the device. A READ command executed on this register clears its content and resets the register to its default value. The $\overline{\text{INT}}$ pin is released at the rising edge of the $\overline{\text{CS}}$ pin from the READ command.

Figure 8-25. INT_STAT Register

23	22	21	20	19	18	17	16
RESERVED							
R-0h							
15	14	13	12	11	10	9	8
RESERVED		CHK_FAIL	ADC_DIAG	WET_DIAG	VS1	VS0	CRC_CALC
R-0h		RC-0h	RC-0h	RC-0h	RC-0h	RC-0h	RC-0h
7	6	5	4	3	2	1	0
UV	OV	TW	TSD	SSC	PRTY_FAIL	SPI_FAIL	POR
RC-0h	RC-0h	RC-0h	RC-0h	RC-0h	RC-0h	RC-0h	RC-1h

LEGEND: R = Read only; RC = Read to clear

Table 8-13. INT_STAT Register Field Descriptions

Bit	Field	Type	Reset	Description
23-14	RESERVED	R	0h	RESERVED
13	CHK_FAIL	RC	0h	0h = Default factory setting is successfully loaded upon device initialization or the event status got cleared after a READ command was executed on the INT_STAT register. 1h = An error is detected when loading factory settings into the device upon device initialization. During device initialization, factory settings are programmed into the device to allow proper device operation. The device performs a self-check after the device is programmed to diagnose whether correct settings are loaded. If the self-check returns an error, the CHK_FAIL bit is flagged to logic 1 along with the POR bit. The host controller is then recommended to initiate a software reset (see section Software Reset) to re-initialize the device and allow correct settings to be re-programmed.
12	ADC_DIAG	RC	0h	0h = No ADC self-diagnostic error is detected or the event status got cleared after a READ command was executed on the INT_STAT register. 1h = ADC self-diagnostic error is detected. The ADC Self-Diagnostic feature (see section ADC Self-Diagnostic) can be activated to monitor the integrity of the internal ADC. The ADC_DIAG bit is flagged to logic 1 if an ADC error is diagnosed.

表 8-13. INT_STAT Register Field Descriptions (continued)

Bit	Field	Type	Reset	Description
11	WET_DIAG	RC	0h	<p>0h = No wetting current error is detected, or the event status got cleared after a READ command was executed on the INT_STAT register.</p> <p>1h = Wetting current error is detected.</p> <p>The Wetting Current Diagnostic feature (see section Wetting Current Diagnostic) can be activated to monitor the integrity of the internal current sources or sinks. The WET_DIAG bit is flagged to logic 1 if a wetting current error is diagnosed.</p>
10	VS1	RC	0h	<p>0h = No V_S voltage state change occurred with respect to VS1_THRES2A or VS1_THRES2B or the status got cleared after a READ command was executed on the INT_STAT register.</p> <p>1h = V_S voltage state change occurred with respect to VS1_THRES2A or VS1_THRES2B.</p> <p>The VS1 interrupt bit indicates whether V_S voltage state change occurred with respect to thresholds VS1_THRES2A and VS1_THRES2B if the V_S Measurement feature (see section VS Measurement) is activated.</p>
9	VS0	RC	0h	<p>0h = No V_S voltage state change occurred with respect to VS0_THRES2A or VS0_THRES2B or the status got cleared after a READ command was executed on the INT_STAT register.</p> <p>1h = V_S voltage state change occurred with respect to VS0_THRES2A or VS0_THRES2B.</p> <p>The VS0 interrupt bit indicates whether V_S voltage state change occurred with respect to thresholds VS0_THRES2A and VS0_THRES2B if the V_S Measurement feature (see section VS Measurement) is activated.</p>
8	CRC_CALC	RC	0h	<p>0h = CRC calculation is running, not started, or was acknowledged after a READ command was executed on the INT_STAT register.</p> <p>1h = CRC calculation is finished.</p> <p>CRC calculation (see section Cyclic Redundancy Check (CRC)) can be triggered to make sure correct register values are programmed into the device. Once the calculation is completed, the CRC_CALC bit is flagged to logic 1 to indicate completion of the calculation, and the result can then be accessed from the CRC (offset = 3h) register.</p>
7	UV	RC	0h	<p>0h = No under-voltage condition occurred or cleared on the V_S pin, or the event status got cleared after a READ command was executed on the INT_STAT register.</p> <p>1h = Under-voltage condition occurred or cleared on the V_S pin.</p> <p>When the UV bit is flagged to logic 1, it indicates the Under-Voltage (UV) event has occurred. The bit is also flagged to logic 1 when the event clears. For more details about the UV operation, please refer to section VS under-voltage (UV) condition.</p>
6	OV	RC	0h	<p>0h = No over-voltage condition occurred or cleared on the V_S pin, or the event status got cleared after a READ command was executed on the INT_STAT register.</p> <p>1h = Over-voltage condition occurred or cleared on the V_S pin.</p> <p>When the OV bit is flagged to logic 1, it indicates the Over-Voltage (OV) event has occurred. The bit is also flagged to logic 1 when the event clears. For more details about the OV operation, please refer to section VS over-voltage (OV) condition.</p>

表 8-13. INT_STAT Register Field Descriptions (continued)

Bit	Field	Type	Reset	Description
5	TW	RC	0h	<p>0h = No temperature warning event occurred or the event status got cleared after a READ command was executed on the INT_STAT register.</p> <p>1h = Temperature warning event occurred or cleared.</p> <p>When the TW bit is flagged to logic 1, it indicates the temperature warning event has occurred. The bit is also flagged to logic 1 when the event clears. For more details about the temperature warning operation, please refer to section Temperature Warning (TW)</p>
4	TSD	RC	0h	<p>0h = No temperature Shutdown event occurred or the event status got cleared after a READ command was executed on the INT_STAT register.</p> <p>1h = Temperature Shutdown event occurred or cleared.</p> <p>When the TSD bit is flagged to logic 1, it indicates the temperature shutdown event has occurred. The bit is also flagged to logic 1 when the event clears. For more details about the temperature shutdown operation, please refer to section Temperature shutdown (TSD)</p>
3	SSC	RC	0h	<p>0h = No switch state change occurred or the status got cleared after a READ command was executed on the INT_STAT register.</p> <p>1h = Switch state change occurred.</p> <p>The Switch State Change (SSC) bit indicates whether input threshold crossing has occurred from switch inputs IN0 to IN23. This bit is also flagged to logic 1 after the first polling cycle is completed after device polling is triggered.</p>
2	PRTY_FAIL	RC	0h	<p>0h = No parity error occurred in the last received SI stream or the error status got cleared after a READ command was executed on the INT_STAT register.</p> <p>1h = Parity error occurred.</p> <p>When the PRTY_FAIL bit is flagged to logic 1, it indicates the last SPI responder in (SI) transaction has a parity error. The device uses odd parity. If the total number of ones in the received data (including the parity bit) is an even number, the received data is discarded. The value of this register bit is mirrored to the PRTY_FLAG SPI status flag.</p>
1	SPI_FAIL	RC	0h	<p>0h = 32 clock pulse during a \overline{CS} = low sequence was detected or the error status got cleared after a READ command was executed on the INT_STAT register.</p> <p>1h = SPI error occurred</p> <p>When the SPI_FAIL bit is flagged to logic 1, it indicates the last SPI responder in (SI) transaction is invalid. To program a complete word, 32 bits of information must be entered into the device. The SPI logic counts the number of bits clocked into the IC and enables data latching only if exactly 32 bits have been clocked in. In case the word length exceeds or does not meet the required length, the SPI_FAIL bit is flagged to logic 1, and the data received is considered invalid. The value of this register bit is mirrored to the SPI_FLAG SPI status flag. Note the SPI_FAIL bit is not flagged if SCLK is not present.</p>

表 8-13. INT_STAT Register Field Descriptions (continued)

Bit	Field	Type	Reset	Description
0	POR	RC	1h	<p>0h = no Power-On-Reset (POR) event occurred or the status got cleared after a READ command was executed on the INT_STAT register.</p> <p>1h = Power-On-Reset (POR) event occurred.</p> <p>The Power-On-Reset (POR) interrupt bit indicates whether a reset event has occurred. A reset event sets the registers to their default values and re-initializes the device state machine. This bit is asserted after a successful power-on-reset, hardware reset, or software reset. The value of this register bit is mirrored to the POR SPI status flag.</p>

8.6.3 CRC Register (Offset = 3h) [Reset = FFFFh]

CRC is shown in [Figure 8-26](#) and described in [Table 8-14](#).

Return to [Summary Table](#).

This register returns the CRC-16-CCCIT calculation result. The microcontroller can compare this value with its own calculated value to ensure correct register settings are programmed to the device.

Figure 8-26. CRC Register

23	22	21	20	19	18	17	16	15	14	13	12	11	10	9	8	7	6	5	4	3	2	1	0
RESERVED								CRC															
R-0h								R-FFFFh															

LEGEND: R = Read only

Table 8-14. CRC Register Field Descriptions

Bit	Field	Type	Reset	Description
23-16	RESERVED	R	0h	Reserved
15-0	CRC	R	FFFFh	CRC-16-CCITT calculation result: Bit1: LSB of CRC Bit16: MSB or CRC

8.6.4 IN_STAT_MISC Register (Offset = 4h) [Reset = 0h]

IN_STAT_MISC is shown in [Figure 8-27](#) and described in [Table 8-15](#).

Return to [Summary Table](#).

This register indicates current device status unrelated to switch input monitoring.

Figure 8-27. IN_STAT_MISC Register

23	22	21	20	19	18	17	16
RESERVED							
R-0h							
15	14	13	12	11	10	9	8
RESERVED			ADC_D	IN3_D	IN2_D	IN1_D	IN0_D
R-0h			R-0h	R-0h	R-0h	R-0h	R-0h
7	6	5	4	3	2	1	0
VS1_STAT		VS0_STAT		UV_STAT	OV_STAT	TW_STAT	TSD_STAT
R-0h		R-0h		R-0h	R-0h	R-0h	R-0h

Table 8-15. IN_STAT_MISC Register Field Descriptions

Bit	Field	Type	Reset	Description
23-13	RESERVED	R	0h	Reserved
12	ADC_D	R	0h	0h = No error is identified from ADC self-diagnostic. 1h = An error is identified from ADC self-diagnostic.
11	IN3_D	R	0h	0h = Current sink on IN3 is operational. 1h = Current sink on IN3 is abnormal.
10	IN2_D	R	0h	0h = Current sink on IN2 is operational. 1h = Current sink on IN2 is abnormal.
9	IN1_D	R	0h	0h = Current source on IN1 is operational. 1h = Current source on IN1 is abnormal.
8	IN0_D	R	0h	0h = Current source on IN0 is operational. 1h = Current source on IN0 is abnormal.
7-6	VS1_STAT	R	0h	0h = V _S voltage is below threshold VS1_THRES2A. 1h = V _S voltage is below threshold VS1_THRES2B and equal to or above threshold VS1_THRES2A. 2h = V _S voltage is equal to or above threshold VS1_THRES2B. 3h = N/A.
5-4	VS0_STAT	R	0h	0h = V _S voltage is below threshold VS0_THRES2A. 1h = V _S voltage is below threshold VS0_THRES2B and equal to or above threshold VS0_THRES2A. 2h = V _S voltage is equal to or above threshold VS0_THRES2B. 3h = N/A
3	UV_STAT	R	0h	0h = V _S voltage is above the under-voltage condition threshold. 1h = V _S voltage is below the under-voltage condition threshold.
2	OV_STAT	R	0h	0h = V _S voltage is below the over-voltage condition threshold. 1h = V _S voltage is above the over-voltage condition threshold.
1	TW_STAT	R	0h	0h = Device junction temperature is below the temperature warning threshold T _{TW} . 1h = Device junction temperature is above the temperature warning threshold T _{TW} .

表 8-15. IN_STAT_MISC Register Field Descriptions (continued)

Bit	Field	Type	Reset	Description
0	TSD_STAT	R	0h	0h = Device junction temperature is below the temperature shutdown threshold T_{TSD} . 1h = Device junction temperature is above the temperature shutdown threshold T_{TSD} .

8.6.5 IN_STAT_COMP Register (Offset = 5h) [Reset = 0h]

IN_STAT_COMP is shown in [Figure 8-28](#) and described in [Table 8-16](#).

Return to [Summary Table](#).

This register indicates whether an input is below or above the comparator threshold when it is configured as comparator input mode.

Figure 8-28. IN_STAT_COMP Register

23		22		21		20		19		18		17		16	
INC_23	INC_22	INC_21	INC_20	INC_19	INC_18	INC_17	INC_16	INC_15	INC_14	INC_13	INC_12	INC_11	INC_10	INC_9	INC_8
R-0h	R-0h	R-0h	R-0h	R-0h	R-0h	R-0h	R-0h	R-0h	R-0h	R-0h	R-0h	R-0h	R-0h	R-0h	R-0h
15		14		13		12		11		10		9		8	
INC_15	INC_14	INC_13	INC_12	INC_11	INC_10	INC_9	INC_8	INC_7	INC_6	INC_5	INC_4	INC_3	INC_2	INC_1	INC_0
R-0h	R-0h	R-0h	R-0h	R-0h	R-0h	R-0h	R-0h	R-0h	R-0h	R-0h	R-0h	R-0h	R-0h	R-0h	R-0h
7		6		5		4		3		2		1		0	
INC_7	INC_6	INC_5	INC_4	INC_3	INC_2	INC_1	INC_0	INC_23	INC_22	INC_21	INC_20	INC_19	INC_18	INC_17	INC_16
R-0h	R-0h	R-0h	R-0h	R-0h	R-0h	R-0h	R-0h	R-0h	R-0h	R-0h	R-0h	R-0h	R-0h	R-0h	R-0h

LEGEND: R = Read only

Table 8-16. IN_STAT_COMP Register Field Descriptions

Bit	Field	Type	Reset	Description
23	INC_23	R	0h	0h = Input IN23 is below the comparator threshold. 1h = Input IN23 is above the comparator threshold.
22	INC_22	R	0h	0h = Input IN22 is below the comparator threshold. 1h = Input IN22 is above the comparator threshold.
21	INC_21	R	0h	0h = Input IN21 is below the comparator threshold. 1h = Input IN21 is above the comparator threshold.
20	INC_20	R	0h	0h = Input IN20 is below the comparator threshold. 1h = Input IN20 is above the comparator threshold.
19	INC_19	R	0h	0h = Input IN19 is below the comparator threshold 1h = Input IN19 is above the comparator threshold
18	INC_18	R	0h	0h = Input IN18 is below the comparator threshold 1h = Input IN18 is above the comparator threshold
17	INC_17	R	0h	0h = Input IN17 is below the comparator threshold 1h = Input IN17 is above the comparator threshold
16	INC_16	R	0h	0h = Input IN16 is below the comparator threshold 1h = Input IN16 is above the comparator threshold
15	INC_15	R	0h	0h = Input IN15 is below the comparator threshold 1h = Input IN15 is above the comparator threshold
14	INC_14	R	0h	0h = Input IN14 is below the comparator threshold 1h = Input IN14 is above the comparator threshold
13	INC_13	R	0h	0h = Input IN13 is below the comparator threshold 1h = Input IN13 is above the comparator threshold
12	INC_12	R	0h	0h = Input IN12 is below the comparator threshold 1h = Input IN12 is above the comparator threshold
11	INC_11	R	0h	0h = Input IN11 is below the comparator threshold 1h = Input IN11 is above the comparator threshold

表 8-16. IN_STAT_COMP Register Field Descriptions (continued)

Bit	Field	Type	Reset	Description
10	INC_10	R	0h	0h = Input IN10 is below the comparator threshold 1h = Input IN10 is above the comparator threshold
9	INC_9	R	0h	0h = Input IN9 is below the comparator threshold 1h = Input IN9 is above the comparator threshold
8	INC_8	R	0h	0h = Input IN8 is below the comparator threshold 1h = Input IN8 is above the comparator threshold
7	INC_7	R	0h	0h = Input IN7 is below the comparator threshold 1h = Input IN7 is above the comparator threshold
6	INC_6	R	0h	0h = Input IN6 is below the comparator threshold 1h = Input IN6 is above the comparator threshold
5	INC_5	R	0h	0h = Input IN5 is below the comparator threshold 1h = Input IN5 is above the comparator threshold
4	INC_4	R	0h	0h = Input IN4 is below the comparator threshold 1h = Input IN4 is above the comparator threshold
3	INC_3	R	0h	0h = Input IN3 is below the comparator threshold 1h = Input IN3 is above the comparator threshold
2	INC_2	R	0h	0h = Input IN2 is below the comparator threshold 1h = Input IN2 is above the comparator threshold
1	INC_1	R	0h	0h = Input IN1 is below the comparator threshold 1h = Input IN1 is above the comparator threshold
0	INC_0	R	0h	0h = Input IN0 is below the comparator threshold 1h = Input IN0 is above the comparator threshold

8.6.6 IN_STAT_ADC0 Register (Offset = 6h) [Reset = 0h]

IN_STAT_ADC0 is shown in [Figure 8-29](#) and described in [Table 8-17](#).

Return to [Summary Table](#).

This register indicates whether an input is below or above the programmed threshold (for IN0-IN11) when it is configured as ADC input mode. For IN12-IN17, there are 2 thresholds and the register bits indicate whether the input is below, above or in-between the 2 thresholds.

Figure 8-29. IN_STAT_ADC0 Register

23	22	21	20	19	18	17	16
INA_17		INA_16		INA_15		INA_14	
R-0h		R-0h		R-0h		R-0h	
15	14	13	12	11	10	9	8
INA_13		INA_12		INA_11	INA_10	INA_9	INA_8
R-0h		R-0h		R-0h	R-0h	R-0h	R-0h
7	6	5	4	3	2	1	0
INA_7	INA_6	INA_5	INA_4	INA_3	INA_2	INA_1	INA_0
R-0h	R-0h	R-0h	R-0h	R-0h	R-0h	R-0h	R-0h

LEGEND: R = Read only

Table 8-17. IN_STAT_ADC0 Register Field Descriptions

Bit	Field	Type	Reset	Description
23-22	INA_17	R	0h	0h = Input IN17 is below threshold 2A 1h = Input IN17 is below threshold 2B and equal to or above threshold 2A 2h = Input IN17 is equal to or above threshold 2B 3h = N/A
21-20	INA_16	R	0h	0h = Input IN16 is below threshold 2A 1h = Input IN16 is below threshold 2B and equal to or above threshold 2A 2h = Input IN16 is equal to or above threshold 2B 3h = N/A
19-18	INA_15	R	0h	0h = Input IN15 is below threshold 2A 1h = Input IN15 is below threshold 2B and equal to or above threshold 2A 2h = Input IN15 is equal to or above threshold 2B 3h = N/A
17-16	INA_14	R	0h	0h = Input IN14 is below threshold 2A 1h = Input IN14 is below threshold 2B and equal to or above threshold 2A 2h = Input IN14 is equal to or above threshold 2B 3h = N/A
15-14	INA_13	R	0h	0h = Input IN13 is below threshold 2A 1h = Input IN13 is below threshold 2B and equal to or above threshold 2A 2h = Input IN13 is equal to or above threshold 2B 3h = N/A

表 8-17. IN_STAT_ADC0 Register Field Descriptions (continued)

Bit	Field	Type	Reset	Description
13-12	INA_12	R	0h	0h = Input IN12 is below threshold 2A 1h = Input IN12 is below threshold 2B and equal to or above threshold 2A 2h = Input IN12 is equal to or above threshold 2B 3h = N/A
11	INA_11	R	0h	0h = Input IN11 is below configured threshold 1h = Input IN11 is above configured threshold
10	INA_10	R	0h	0h = Input IN10 is below configured threshold 1h = Input IN10 is above configured threshold
9	INA_9	R	0h	0h = Input IN9 is below configured threshold 1h = Input IN9 is above configured threshold
8	INA_8	R	0h	0h = Input IN8 is below configured threshold 1h = Input IN8 is above configured threshold
7	INA_7	R	0h	0h = Input IN7 is below configured threshold 1h = Input IN7 is above configured threshold
6	INA_6	R	0h	0h = Input IN6 is below configured threshold 1h = Input IN6 is above configured threshold
5	INA_5	R	0h	0h = Input IN5 is below configured threshold 1h = Input IN5 is above configured threshold
4	INA_4	R	0h	0h = Input IN4 is below configured threshold 1h = Input IN4 is above configured threshold
3	INA_3	R	0h	0h = Input IN3 is below configured threshold 1h = Input IN3 is above configured threshold
2	INA_2	R	0h	0h = Input IN2 is below configured threshold 1h = Input IN2 is above configured threshold
1	INA_1	R	0h	0h = Input IN1 is below configured threshold 1h = Input IN1 is above configured threshold
0	INA_0	R	0h	0h = Input IN0 is below configured threshold 1h = Input IN0 is above configured threshold

8.6.7 IN_STAT_ADC1 Register (Offset = 7h) [Reset = 0h]

IN_STAT_ADC1 is shown in [Figure 8-30](#) and described in [Table 8-18](#).

Return to [Summary Table](#).

This register indicates whether an input is above or below the programmed thresholds 3A, 3B, and 3C when it is configured as ADC input mode. For IN23, there are 5 thresholds that can be programmed.

Figure 8-30. IN_STAT_ADC1 Register

23	22	21	20	19	18	17	16	15	14	13	12		
RESERVED											INA_23		
R-0h											R-0h		
11	10	9	8	7	6	5	4	3	2	1	0		
INA_23			INA_22			INA_21			INA_20			INA_19	INA_18
R-0h			R-0h			R-0h			R-0h			R-0h	R-0h

LEGEND: R = Read only

Table 8-18. IN_STAT_ADC1 Register Field Descriptions

Bit	Field	Type	Reset	Description
23-13	RESERVED	R	0h	Reserved
12-10	INA_23	R	0h	0h = Input IN23 is below threshold 3A 1h = Input IN23 is below threshold 3B and equal to or above threshold 3A 2h = Input IN23 is below threshold 3C and equal to or above threshold 3B 3h = Input IN23 is below threshold THRES8 and equal to or above threshold 3C 4h = Input IN23 is below threshold THRES9 and equal to or above threshold THRES8 5h = Input IN23 is equal to or above threshold THRES9
9-8	INA_22	R	0h	0h = Input IN22 is below threshold 3A 1h = Input IN22 is below threshold 3B and equal to or above threshold 3A 2h = Input IN22 is below threshold 3C and equal to or above threshold 3B 3h = Input IN22 is equal to or above threshold 3C
7-6	INA_21	R	0h	0h = Input IN21 is below threshold 3A 1h = Input IN21 is below threshold 3B and equal to or above threshold 3A 2h = Input IN21 is below threshold 3C and equal to or above threshold 3B 3h = Input IN21 is equal to or above threshold 3C
5-4	INA_20	R	0h	0h = Input IN20 is below threshold 3A 1h = Input IN20 is below threshold 3B and equal to or above threshold 3A 2h = Input IN20 is below threshold 3C and equal to or above threshold 3B 3h = Input IN20 is equal to or above threshold 3C

表 8-18. IN_STAT_ADC1 Register Field Descriptions (continued)

Bit	Field	Type	Reset	Description
3-2	INA_19	R	0h	0h = Input IN19 is below threshold 3A 1h = Input IN19 is below threshold 3B and equal to or above threshold 3A 2h = Input IN19 is below threshold 3C and equal to or above threshold 3B 3h = Input IN19 is equal to or above threshold 3C
1-0	INA_18	R	0h	0h = Input is IN18 is below threshold 3A 1h = Input is IN18 is below threshold 3B and equal to or above threshold 3A 2h = Input is IN18 is below threshold 3C and equal to or above threshold 3B 3h = Input is IN18 is equal to or above threshold 3C

8.6.8 IN_STAT_MATRIX0 Register (Offset = 8h) [Reset = 0h]

IN_STAT_MATRIX0 is shown in [Figure 8-31](#) and described in [Table 8-19](#).

Return to [Summary Table](#).

This register indicates whether an input is below or above the programmed threshold in the matrix polling mode for switches connected to IN10-IN13.

Figure 8-31. IN_STAT_MATRIX0 Register

23		22		21		20		19		18		17		16	
INMAT_13_IN9	INMAT_13_IN8	INMAT_13_IN7	INMAT_13_IN6	INMAT_13_IN5	INMAT_13_IN4	INMAT_12_IN9	INMAT_12_IN8	R-0h	R-0h	R-0h	R-0h	R-0h	R-0h	R-0h	R-0h
15		14		13		12		11		10		9		8	
INMAT_12_IN7	INMAT_12_IN6	INMAT_12_IN5	INMAT_12_IN4	INMAT_11_IN9	INMAT_11_IN8	INMAT_11_IN7	INMAT_11_IN6	R-0h	R-0h	R-0h	R-0h	R-0h	R-0h	R-0h	R-0h
7		6		5		4		3		2		1		0	
INMAT_11_IN5	INMAT_11_IN4	INMAT_10_IN9	INMAT_10_IN8	INMAT_10_IN7	INMAT_10_IN6	INMAT_10_IN5	INMAT_10_IN4	R-0h	R-0h	R-0h	R-0h	R-0h	R-0h	R-0h	R-0h

LEGEND: R = Read only

Table 8-19. IN_STAT_MATRIX0 Register Field Descriptions

Bit	Field	Type	Reset	Description
23	INMAT_13_IN9	R	0h	0h = Input IN13 is below threshold while IN9 pulled to GND 1h = Input IN13 is above threshold while IN9 pulled to GND
22	INMAT_13_IN8	R	0h	0h = Input IN13 is below threshold while IN8 pulled to GND 1h = Input IN13 is above threshold while IN8 pulled to GND
21	INMAT_13_IN7	R	0h	0h = Input IN13 is below threshold while IN7 pulled to GND 1h = Input IN13 is above threshold while IN7 pulled to GND
20	INMAT_13_IN6	R	0h	0h = Input IN13 is below threshold while IN6 pulled to GND 1h = Input IN13 is above threshold while IN6 pulled to GND
19	INMAT_13_IN5	R	0h	0h = Input IN13 is below threshold while IN5 pulled to GND 1h = Input IN13 is above threshold while IN5 pulled to GND
18	INMAT_13_IN4	R	0h	0h = Input IN13 is below threshold while IN4 pulled to GND 1h = Input IN13 is above threshold while IN4 pulled to GND
17	INMAT_12_IN9	R	0h	0h = Input IN12 is below threshold while IN9 pulled to GND 1h = Input IN12 is above threshold while IN9 pulled to GND
16	INMAT_12_IN8	R	0h	0h = Input IN12 is below threshold while IN8 pulled to GND. 1h = Input IN12 is above threshold while IN8 pulled to GND.
15	INMAT_12_IN7	R	0h	0h = Input IN12 is below threshold while IN7 pulled to GND. 1h = Input IN12 is above threshold while IN7 pulled to GND.
14	INMAT_12_IN6	R	0h	0h = Input IN12 is below threshold while IN6 pulled to GND. 1h = Input IN12 is above threshold while IN6 pulled to GND.
13	INMAT_12_IN5	R	0h	0h = Input IN12 is below threshold while IN5 pulled to GND. 1h = Input IN12 is above threshold while IN5 pulled to GND.
12	INMAT_12_IN4	R	0h	0h = Input IN12 is below threshold while IN4 pulled to GND. 1h = Input IN12 is above threshold while IN4 pulled to GND.
11	INMAT_11_IN9	R	0h	0h = Input IN11 is below threshold while IN9 pulled to GND. 1h = Input IN11 is above threshold while IN9 pulled to GND.

表 8-19. IN_STAT_MATRIX0 Register Field Descriptions (continued)

Bit	Field	Type	Reset	Description
10	INMAT_11_IN8	R	0h	0h = Input IN11 is below threshold while IN8 pulled to GND. 1h = Input IN11 is above threshold while IN8 pulled to GND.
9	INMAT_11_IN7	R	0h	0h = Input IN11 is below threshold while IN7 pulled to GND. 1h = Input IN11 is above threshold while IN7 pulled to GND.
8	INMAT_11_IN6	R	0h	0h = Input IN11 is below threshold while IN6 pulled to GND. 1h = Input IN11 is above threshold while IN6 pulled to GND.
7	INMAT_11_IN5	R	0h	0h = Input IN11 is below threshold while IN5 pulled to GND. 1h = Input IN11 is above threshold while IN5 pulled to GND.
6	INMAT_11_IN4	R	0h	0h = Input IN11 is below threshold while IN4 pulled to GND. 1h = Input IN11 is above threshold while IN4 pulled to GND.
5	INMAT_10_IN9	R	0h	0h = Input IN10 is below threshold while IN9 pulled to GND. 1h = Input IN10 is above threshold while IN9 pulled to GND.
4	INMAT_10_IN8	R	0h	0h = Input IN10 is below threshold while IN8 pulled to GND. 1h = Input IN10 is above threshold while IN8 pulled to GND.
3	INMAT_10_IN7	R	0h	0h = Input IN10 is below threshold while IN7 pulled to GND. 1h = Input IN10 is above threshold while IN7 pulled to GND.
2	INMAT_10_IN6	R	0h	0h = Input IN10 is below threshold while IN6 pulled to GND. 1h = Input IN10 is above threshold while IN6 pulled to GND.
1	INMAT_10_IN5	R	0h	0h = Input IN10 is below threshold while IN5 pulled to GND. 1h = Input IN10 is above threshold while IN5 pulled to GND.
0	INMAT_10_IN4	R	0h	0h = Input IN10 is below threshold while IN4 pulled to GND. 1h = Input IN10 is above threshold while IN4 pulled to GND.

8.6.9 IN_STAT_MATRIX1 Register (Offset = 9h) [Reset = 0h]

IN_STAT_MATRIX1 is shown in [Figure 8-32](#) and described in [Table 8-20](#).

Return to [Summary Table](#).

This register indicates whether an input is below or above the programmed threshold in the matrix polling mode for switches connected to IN14-IN15. This register also indicates the status of IN0-IN11 with respect to the common threshold THRES_COM.

Figure 8-32. IN_STAT_MATRIX1 Register

23		22		21		20		19		18		17		16	
IN11_COM	IN10_COM	IN9_COM	IN8_COM	IN7_COM	IN6_COM	IN5_COM	IN4_COM								
R-0h	R-0h	R-0h	R-0h	R-0h	R-0h	R-0h	R-0h								
15		14		13		12		11		10		9		8	
IN3_COM	IN2_COM	IN1_COM	IN0_COM	INMAT_15_IN9	INMAT_15_IN8	INMAT_15_IN7	INMAT_15_IN6								
R-0h	R-0h	R-0h	R-0h	R-0h	R-0h	R-0h	R-0h								
7		6		5		4		3		2		1		0	
INMAT_15_IN5	INMAT_15_IN4	INMAT_14_IN9	INMAT_14_IN8	INMAT_14_IN7	INMAT_14_IN6	INMAT_14_IN5	INMAT_14_IN4								
R-0h	R-0h	R-0h	R-0h	R-0h	R-0h	R-0h	R-0h								

LEGEND: R = Read only

Table 8-20. IN_STAT_MATRIX1 Register Field Descriptions

Bit	Field	Type	Reset	Description
23	IN11_COM	R	0h	0h = Input IN11 below threshold THRES_COM 1h = Input IN11 equal to or above threshold THRES_COM
22	IN10_COM	R	0h	0h = Input IN10 below threshold THRES_COM 1h = Input IN10 equal to or above threshold THRES_COM
21	IN9_COM	R	0h	0h = Input IN9 below threshold THRES_COM 1h = Input IN9 equal to or above threshold THRES_COM
20	IN8_COM	R	0h	0h = Input IN8 below threshold THRES_COM 1h = Input IN8 equal to or above threshold THRES_COM
19	IN7_COM	R	0h	0h = Input IN7 below threshold THRES_COM 1h = Input IN7 equal to or above threshold THRES_COM
18	IN6_COM	R	0h	0h = Input IN6 below threshold THRES_COM 1h = Input IN6 equal to or above threshold THRES_COM
17	IN5_COM	R	0h	0h = Input IN5 below threshold THRES_COM 1h = Input IN5 equal to or above threshold THRES_COM
16	IN4_COM	R	0h	0h = Input IN4 below threshold THRES_COM 1h = Input IN4 equal to or above threshold THRES_COM
15	IN3_COM	R	0h	0h = Input IN3 below threshold THRES_COM 1h = Input IN3 equal to or above threshold THRES_COM
14	IN2_COM	R	0h	0h = Input IN2 below threshold THRES_COM 1h = Input IN2 equal to or above threshold THRES_COM
13	IN1_COM	R	0h	0h = Input IN1 below threshold THRES_COM 1h = Input IN1 equal to or above threshold THRES_COM
12	IN0_COM	R	0h	0h = Input IN0 below threshold THRES_COM 1h = Input IN0 equal to or above threshold THRES_COM

表 8-20. IN_STAT_MATRIX1 Register Field Descriptions (continued)

Bit	Field	Type	Reset	Description
11	INMAT_15_IN9	R	0h	0h = Input IN15 below threshold while IN9 pulled to GND 1h = Input IN15 above threshold while IN9 pulled to GND
10	INMAT_15_IN8	R	0h	0h = Input IN15 below threshold while IN8 pulled to GND 1h = Input IN15 above threshold while IN8 pulled to GND
9	INMAT_15_IN7	R	0h	0h = Input IN15 below threshold while IN7 pulled to GND 1h = Input IN15 above threshold while IN7 pulled to GND
8	INMAT_15_IN6	R	0h	0h = Input IN15 below threshold while IN6 pulled to GND 1h = Input IN15 above threshold while IN6 pulled to GND
7	INMAT_15_IN5	R	0h	0h = Input IN15 below threshold while IN5 pulled to GND 1h = Input IN15 above threshold while IN5 pulled to GND
6	INMAT_15_IN4	R	0h	0h = Input IN15 below threshold while IN4 pulled to GND 1h = Input IN15 above threshold while IN4 pulled to GND
5	INMAT_14_IN9	R	0h	0h = Input IN14 below threshold while IN9 pulled to GND 1h = Input IN14 above threshold while IN9 pulled to GND
4	INMAT_14_IN8	R	0h	0h = Input IN14 below threshold while IN8 pulled to GND 1h = Input IN14 above threshold while IN8 pulled to GND
3	INMAT_14_IN7	R	0h	0h = Input IN14 below threshold while IN7 pulled to GND 1h = Input IN14 above threshold while IN7 pulled to GND
2	INMAT_14_IN6	R	0h	0h = Input IN14 below threshold while IN6 pulled to GND 1h = Input IN14 above threshold while IN6 pulled to GND
1	INMAT_14_IN5	R	0h	0h = Input IN14 below threshold while IN5 pulled to GND 1h = Input IN14 above threshold while IN5 pulled to GND
0	INMAT_14_IN4	R	0h	0h = Input IN14 below threshold while IN4 pulled to GND 1h = Input IN14 above threshold while IN4 pulled to GND

8.6.10 ANA_STAT0 Register (Offset = Ah) [Reset = 0h]

ANA_STAT0 is shown in [Figure 8-33](#) and described in [Table 8-21](#).

Return to [Summary Table](#).

Figure 8-33. ANA_STAT0 Register

23	22	21	20	19	18	17	16	15	14	13	12	11	10	9	8	7	6	5	4	3	2	1	0
RESERVED				IN1_ANA										IN0_ANA									
R-0h				R-0h										R-0h									

LEGEND: R = Read only

Table 8-21. ANA_STAT0 Register Field Descriptions

Bit	Field	Type	Reset	Description
23-20	RESERVED	R	0h	Reserved
19-10	IN1_ANA	R	0h	10-bits value of IN1 Bit 10: LSB Bit 19: MSB
9-0	IN0_ANA	R	0h	10-bits value of IN0 Bit 0: LSB Bit 9: MSB

8.6.11 ANA_STAT1 Register (Offset = Bh) [Reset = 0h]

ANA_STAT1 is shown in [Figure 8-34](#) and described in [Table 8-22](#).

Return to [Summary Table](#).

Figure 8-34. ANA_STAT1 Register

23	22	21	20	19	18	17	16	15	14	13	12	11	10	9	8	7	6	5	4	3	2	1	0
RESERVED				IN5_ANA										IN4_ANA									
R-0h				R-0h										R-0h									

LEGEND: R = Read only

Table 8-22. ANA_STAT1 Register Field Descriptions

Bit	Field	Type	Reset	Description
23-20	RESERVED	R	0h	Reserved
19-10	IN3_ANA	R	0h	10-bits value of IN3 Bit 10: LSB Bit 19: MSB
9-0	IN2_ANA	R	0h	10-bits value of IN2 Bit 0: LSB Bit 9: MSB

8.6.12 ANA_STAT2 Register (Offset = Ch) [Reset = 0h]

ANA_STAT2 is shown in [Figure 8-35](#) and described in [Table 8-23](#).

Return to [Summary Table](#).

Figure 8-35. ANA_STAT2 Register

23	22	21	20	19	18	17	16	15	14	13	12	11	10	9	8	7	6	5	4	3	2	1	0
RESERVED				IN5_ANA										IN4_ANA									
R-0h				R-0h										R-0h									

LEGEND: R = Read only

Table 8-23. ANA_STAT2 Register Field Descriptions

Bit	Field	Type	Reset	Description
23-20	RESERVED	R	0h	Reserved
19-10	IN5_ANA	R	0h	10-bits value of IN5 Bit 10: LSB Bit 19: MSB
9-0	IN4_ANA	R	0h	10-bits value of IN4 Bit 0: LSB Bit 9: MSB

8.6.13 ANA_STAT3 Register (Offset = Dh) [Reset = 0h]

ANA_STAT3 is shown in [Figure 8-36](#) and described in [Table 8-24](#).

Return to [Summary Table](#).

Figure 8-36. ANA_STAT3 Register

23	22	21	20	19	18	17	16	15	14	13	12	11	10	9	8	7	6	5	4	3	2	1	0
RESERVED				IN7_ANA										IN6_ANA									
R-0h				R-0h										R-0h									

LEGEND: R = Read only

Table 8-24. ANA_STAT3 Register Field Descriptions

Bit	Field	Type	Reset	Description
23-20	RESERVED	R	0h	Reserved
19-10	IN7_ANA	R	0h	10-bits value of IN7 Bit 10: LSB Bit 19: MSB
9-0	IN6_ANA	R	0h	10-bits value of IN6 Bit 0: LSB Bit 9: MSB

8.6.14 ANA_STAT4 Register (Offset = Eh) [Reset = 0h]

ANA_STAT4 is shown in [Figure 8-37](#) and described in [Table 8-25](#).

Return to [Summary Table](#).

Figure 8-37. ANA_STAT4 Register

23	22	21	20	19	18	17	16	15	14	13	12	11	10	9	8	7	6	5	4	3	2	1	0
RESERVED				IN9_ANA										IN8_ANA									
R-0h				R-0h										R-0h									

LEGEND: R = Read only

Table 8-25. ANA_STAT4 Register Field Descriptions

Bit	Field	Type	Reset	Description
23-20	RESERVED	R	0h	Reserved
19-10	IN9_ANA	R	0h	10-bits value of IN9 Bit 10: LSB Bit 19: MSB
9-0	IN8_ANA	R	0h	10-bits value of IN8 Bit 0: LSB Bit 9: MSB

8.6.15 ANA_STAT5 Register (Offset = Fh) [Reset = 0h]

ANA_STAT5 is shown in [Figure 8-38](#) and described in [Table 8-26](#).

Return to [Summary Table](#).

Figure 8-38. ANA_STAT5 Register

23	22	21	20	19	18	17	16	15	14	13	12	11	10	9	8	7	6	5	4	3	2	1	0
RESERVED				IN11_ANA										IN10_ANA									
R-0h				R-0h										R-0h									

LEGEND: R = Read only

Table 8-26. ANA_STAT5 Register Field Descriptions

Bit	Field	Type	Reset	Description
23-20	RESERVED	R	0h	Reserved
19-10	IN11_ANA	R	0h	10-bits value of IN11 Bit 10: LSB Bit 19: MSB
9-0	IN10_ANA	R	0h	10-bits value of IN10 Bit 0: LSB Bit 9: MSB

8.6.16 ANA_STAT6 Register (Offset = 10h) [reset = 0h]

ANA_STAT6 is shown in [Figure 8-39](#) and described in [Table 8-27](#).

Return to [Summary Table](#).

Figure 8-39. ANA_STAT6 Register

23	22	21	20	19	18	17	16	15	14	13	12	11	10	9	8	7	6	5	4	3	2	1	0
RESERVED				IN13_ANA										IN12_ANA									
R-0h				R-0h										R-0h									

LEGEND: R = Read only

Table 8-27. ANA_STAT6 Register Field Descriptions

Bit	Field	Type	Reset	Description
23-20	RESERVED	R	0h	Reserved
19-10	IN13_ANA	R	0h	10-bits value of IN13 Bit 10: LSB Bit 19: MSB
9-0	IN12_ANA	R	0h	10-bits value of IN12 Bit 0: LSB Bit 9: MSB

8.6.17 ANA_STAT7 Register (Offset = 11h) [Reset = 0h]

ANA_STAT7 is shown in [Figure 8-40](#) and described in [Table 8-28](#).

Return to [Summary Table](#).

Figure 8-40. ANA_STAT7 Register

23	22	21	20	19	18	17	16	15	14	13	12	11	10	9	8	7	6	5	4	3	2	1	0
RESERVED				IN15_ANA										IN14_ANA									
R-0h				R-0h										R-0h									

LEGEND: R = Read only

Table 8-28. ANA_STAT7 Register Field Descriptions

Bit	Field	Type	Reset	Description
23-20	RESERVED	R	0h	Reserved
19-10	IN15_ANA	R	0h	10-bits value of IN15 Bit 10: LSB Bit 19: MSB
9-0	IN14_ANA	R	0h	10-bits value of IN14 Bit 0: LSB Bit 9: MSB

8.6.18 ANA_STAT8 Register (Offset = 12h) [Reset = 0h]

ANA_STAT8 is shown in [Figure 8-41](#) and described in [Table 8-29](#).

Return to [Summary Table](#).

Figure 8-41. ANA_STAT8 Register

23	22	21	20	19	18	17	16	15	14	13	12	11	10	9	8	7	6	5	4	3	2	1	0
RESERVED				IN17_ANA										IN16_ANA									
R-0h				R-0h										R-0h									

LEGEND: R = Read only

Table 8-29. ANA_STAT8 Register Field Descriptions

Bit	Field	Type	Reset	Description
23-20	RESERVED	R	0h	Reserved
19-10	IN17_ANA	R	0h	10-bits value of IN17 Bit 10: LSB Bit 19: MSB
9-0	IN16_ANA	R	0h	10-bits value of IN16 Bit 0: LSB Bit 9: MSB

8.6.19 ANA_STAT9 Register (Offset = 13h) [Reset = 0h]

ANA_STAT9 is shown in [Figure 8-42](#) and described in [Table 8-30](#).

Return to [Summary Table](#).

Figure 8-42. ANA_STAT9 Register

23	22	21	20	19	18	17	16	15	14	13	12	11	10	9	8	7	6	5	4	3	2	1	0
RESERVED				IN19_ANA										IN18_ANA									
R-0h				R-0h										R-0h									

LEGEND: R = Read only

Table 8-30. ANA_STAT9 Register Field Descriptions

Bit	Field	Type	Reset	Description
23-20	RESERVED	R	0h	Reserved
19-10	IN19_ANA	R	0h	10-bits value of IN19 Bit 10: LSB Bit 19: MSB
9-0	IN18_ANA	R	0h	10-bits value of IN18 Bit 0: LSB Bit 9: MSB

8.6.20 ANA_STAT10 Register (Offset = 14h) [Reset = 0h]

ANA_STAT10 is shown in [图 8-43](#) and described in [表 8-31](#).

Return to [Summary Table](#).

图 8-43. ANA_STAT10 Register

23	22	21	20	19	18	17	16	15	14	13	12	11	10	9	8	7	6	5	4	3	2	1	0
RESERVED				IN21_ANA										IN20_ANA									
R-0h				R-0h										R-0h									

LEGEND: R = Read only

表 8-31. ANA_STAT10 Register Field Descriptions

Bit	Field	Type	Reset	Description
23-20	RESERVED	R	0h	Reserved
19-10	IN21_ANA	R	0h	10-bits value of IN21 Bit 10: LSB Bit 19: MSB
9-0	IN20_ANA	R	0h	10-bits value of IN20 Bit 0: LSB Bit 9: MSB

8.6.21 ANA_STAT11 Register (Offset = 15h) [Reset = 0h]

ANA_STAT11 is shown in [图 8-44](#) and described in [表 8-32](#).

Return to [Summary Table](#).

图 8-44. ANA_STAT11 Register

23	22	21	20	19	18	17	16	15	14	13	12	11	10	9	8	7	6	5	4	3	2	1	0
RESERVED				IN23_ANA										IN22_ANA									
R-0h				R-0h										R-0h									

LEGEND: R = Read only

表 8-32. ANA_STAT11 Register Field Descriptions

Bit	Field	Type	Reset	Description
23-20	RESERVED	R	0h	Reserved
19-10	IN23_ANA	R	0h	10-bits value of IN23 Bit 10: LSB Bit 19: MSB
9-0	IN22_ANA	R	0h	10-bits value of IN22 Bit 0: LSB Bit 9: MSB

8.6.22 ANA_STAT12 Register (Offset = 16h) [Reset = 0h]

ANA_STAT12 is shown in [Figure 8-45](#) and described in [Table 8-33](#).

Return to [Summary Table](#).

Figure 8-45. ANA_STAT12 Register

23	22	21	20	19	18	17	16	15	14	13	12	11	10	9	8	7	6	5	4	3	2	1	0
RESERVED				ADC_SELF_ANA										V _S _ANA									
R-0h				R-0h										R-0h									

LEGEND: R = Read only

Table 8-33. ANA_STAT12 Register Field Descriptions

Bit	Field	Type	Reset	Description
23-20	RESERVED	R	0h	Reserved
19-10	ADC_SELF_ANA	R	0h	10-bits value of the ADC self-diagnosis Bit 10: LSB Bit 19: MSB
9-0	V _S _ANA	R	0h	10-bits value of V _S measurement Bit 0: LSB Bit 9: MSB

8.6.23 CONFIG Register (Offset = 1Ah) [Reset = 0h]

CONFIG is shown in [Figure 8-46](#) and described in [Table 8-34](#).

Return to [Summary Table](#).

Figure 8-46. CONFIG Register

23	22	21	20	19	18	17	16
VS_RATIO	ADC_DIAG_T	WET_D_IN3_EN	WET_D_IN2_EN	WET_D_IN1_EN	WET_D_IN0_EN	VS_MEAS_EN	TW_CUR_DIS_CSI
R/W-0h	R/W-0h	R/W-0h	R/W-0h	R/W-0h	R/W-0h	R/W-0h	R/W-0h
15	14	13	12	11	10	9	8
DET_FILTER		TW_CUR_DIS_CSO	INT_CONFIG	TRIGGER	POLL_EN	CRC_T	POLL_ACT_TIME
R/W-0h		R/W-0h	R/W-0h	R/W-0h	R/W-0h	R/W-0h	R/W-0h
7	6	5	4	3	2	1	0
POLL_ACT_TIME			POLL_TIME			RESET	
R/W-0h			R/W-0h			R/W-0h	

LEGEND: R/W = Read/Write

Table 8-34. CONFIG Register Field Descriptions

Bit	Field	Type	Reset	Description
23	VS_RATIO	R/W	0h	0h = Use voltage divider factor of 3 for the V_S measurement 1h = Use voltage divider factor of 10 for the V_S measurement
22	ADC_DIAG_T	R/W	0h	For detailed descriptions for the ADC self-diagnostic feature, refer to section ADC Self-Diagnostic 0h = Disable ADC self-diagnostic feature 1h = Enable ADC self-diagnostic feature
21	WET_D_IN3_EN	R/W	0h	0h = Disable wetting current diagnostic for input IN3 1h = Enable wetting current diagnostic for input IN3
20	WET_D_IN2_EN	R/W	0h	0h = Disable wetting current diagnostic for input IN2 1h = Enable wetting current diagnostic for input IN2
19	WET_D_IN1_EN	R/W	0h	0h = Disable wetting current diagnostic for input IN1 1h = Enable wetting current diagnostic for input IN1
18	WET_D_IN0_EN	R/W	0h	0h = Disable wetting current diagnostic for input IN0 1h = Enable wetting current diagnostic for input IN0
17	VS_MEAS_EN	R/W	0h	For detailed descriptions for the V_S measurement, refer to section VS Measurement . 0h = Disable V_S measurement at the end of every polling cycle 1h = Enable V_S measurement at the end of every polling cycle
16	TW_CUR_DIS_CSI	R/W	0h	0h = Enable wetting current reduction (to 2 mA) for 10 mA and 15 mA settings upon TW event for all inputs enabled with CSI. 1h = Disable wetting current reduction (to 2 mA) for 10 mA and 15 mA settings upon TW event for all inputs enabled with CSI.
15-14	DET_FILTER	R/W	0h	For detailed descriptions for the detection filter, refer to section Detection Filter . 0h = every sample is valid and taken for threshold evaluation 1h = 2 consecutive and equal samples required to be valid data 2h = 3 consecutive and equal samples required to be valid data 3h = 4 consecutive and equal samples required to be valid data

表 8-34. CONFIG Register Field Descriptions (continued)

Bit	Field	Type	Reset	Description
13	TW_CUR_DIS_CSO	R/W	0h	0h = Enable wetting current reduction (to 2 mA) for 10 mA and 15 mA settings upon TW event for all inputs enabled with CSO. 1h = Disable wetting current reduction (to 2 mA) for 10 mA and 15 mA settings upon TW event for all inputs enabled with CSO.
12	INT_CONFIG	R/W	0h	For detailed descriptions for the INT pin assertion scheme, refer to section Interrupt Generation and /INT Assertion . 0h = INT pin assertion scheme set to static 1h = INT pin assertion scheme set to dynamic
11	TRIGGER	R/W	0h	When the TRIGGER bit is set to logic 1, normal device operation (wetting current activation and polling) starts. To stop device operation and keep the device in an idle state, de-assert this bit to 0. After device normal operation is triggered, if at any time the device setting needs to be re-configured, the microcontroller is required to first set the bit TRIGGER to logic 0 to stop device operation. Once the re-configuration is completed, the microcontroller can set the TRIGGER bit back to logic 1 to re-start device operation. If re-configuration is done on the fly without first stopping the device operation, false switch status could be reported and accidental interrupt might be issued. The following register bits are the exception and can be configured when TRIGGER bit is set to logic 1: <ul style="list-style-type: none"> • TRIGGER (bit 11 of the CONFIG register) • CRC_T (bit 9 of the CONFIG register) • RESET (bit 0 of the CONFIG register) • The CCP_CFG1 register 0h = Stop TIC12400-Q1 from normal operation. 1h = Trigger TIC12400-Q1 from normal operation.
10	POLL_EN	R/W	0h	0h = Polling disabled. Device operates in continuous mode. 1h = Polling enabled and the device operates in one of the polling modes.
9	CRC_T	R/W	0h	Set this bit to 1 to trigger a CRC calculation on all the configuration register bits. Once triggered, it is strongly recommended the SPI controller does not change the content of the configuration registers until the CRC calculation is completed to avoid erroneous CRC calculation result. The TIC12400-Q1 sets the CRC_CALC interrupt bit and asserts the INT pin low when the CRC calculation is completed. The calculated result will be available in the CRC register. This bit self-clears back to 0 after CRC calculation is executed. 0h = no CRC calculation triggered. 1h = trigger CRC calculation.

表 8-34. CONFIG Register Field Descriptions (continued)

Bit	Field	Type	Reset	Description
8-5	POLL_ACT_TIME	R/W	0h	0h = 64 μ s 1h = 128 μ s 2h = 192 μ s 3h = 256 μ s 4h = 320 μ s 5h = 384 μ s 6h = 448 μ s 7h = 512 μ s 8h = 640 μ s 9h = 768 μ s Ah = 896 μ s Bh = 1024 μ s Ch = 2048 μ s Dh-15h = 512 μ s (most frequently-used setting)
4-1	POLL_TIME	R/W	0h	0h = 2 ms 1h = 4 ms 2h = 8 ms 3h = 16 ms 4h = 32 ms 5h = 48 ms 6h = 64 ms 7h = 128 ms 8h = 256 ms 9h = 512 ms Ah = 1024 ms Bh = 2048 ms Ch = 4096 ms Dh-15h = 8 ms (most frequently-used setting)
0	RESET	R/W	0h	0h = No reset. 1h = Trigger software reset of the device.

8.6.24 IN_EN Register (Offset = 1Bh) [Reset = 0h]

IN_EN is shown in [Figure 8-47](#) and described in [Table 8-35](#).

Return to [Summary Table](#).

Figure 8-47. IN_EN Register

23		22		21		20		19		18		17		16	
IN_EN_23	IN_EN_22	IN_EN_21	IN_EN_20	IN_EN_19	IN_EN_18	IN_EN_17	IN_EN_16	IN_EN_15	IN_EN_14	IN_EN_13	IN_EN_12	IN_EN_11	IN_EN_10	IN_EN_9	IN_EN_8
R/W-0h	R/W-0h	R/W-0h	R/W-0h	R/W-0h	R/W-0h	R/W-0h	R/W-0h	R/W-0h	R/W-0h	R/W-0h	R/W-0h	R/W-0h	R/W-0h	R/W-0h	R/W-0h
15		14		13		12		11		10		9		8	
IN_EN_15	IN_EN_14	IN_EN_13	IN_EN_12	IN_EN_11	IN_EN_10	IN_EN_9	IN_EN_8	IN_EN_7	IN_EN_6	IN_EN_5	IN_EN_4	IN_EN_3	IN_EN_2	IN_EN_1	IN_EN_0
R/W-0h	R/W-0h	R/W-0h	R/W-0h	R/W-0h	R/W-0h	R/W-0h	R/W-0h	R/W-0h	R/W-0h	R/W-0h	R/W-0h	R/W-0h	R/W-0h	R/W-0h	R/W-0h
7		6		5		4		3		2		1		0	
IN_EN_7	IN_EN_6	IN_EN_5	IN_EN_4	IN_EN_3	IN_EN_2	IN_EN_1	IN_EN_0	IN_EN_7	IN_EN_6	IN_EN_5	IN_EN_4	IN_EN_3	IN_EN_2	IN_EN_1	IN_EN_0
R/W-0h	R/W-0h	R/W-0h	R/W-0h	R/W-0h	R/W-0h	R/W-0h	R/W-0h	R/W-0h	R/W-0h	R/W-0h	R/W-0h	R/W-0h	R/W-0h	R/W-0h	R/W-0h

LEGEND: R/W = Read/Write

Table 8-35. IN_EN Register Field Descriptions

Bit	Field	Type	Reset	Description
23	IN_EN_23	R/W	0h	0h = Input channel IN23 disabled. Polling sequence skips this channel 1h = Input channel IN23 enabled.
22	IN_EN_22	R/W	0h	0h = Input channel IN22 disabled. Polling sequence skips this channel 1h = Input channel IN22 enabled.
21	IN_EN_21	R/W	0h	0h = Input channel IN21 disabled. Polling sequence skips this channel 1h = Input channel IN21 enabled.
20	IN_EN_20	R/W	0h	0h = Input channel IN20 disabled. Polling sequence skips this channel 1h = Input channel IN20 enabled.
19	IN_EN_19	R/W	0h	0h = Input channel IN19 disabled. Polling sequence skips this channel 1h = Input channel IN19 enabled.
18	IN_EN_18	R/W	0h	0h = Input channel IN18 disabled. Polling sequence skips this channel 1h = Input channel IN18 enabled.
17	IN_EN_17	R/W	0h	0h = Input channel IN17 disabled. Polling sequence skips this channel 1h = Input channel IN17 enabled.
16	IN_EN_16	R/W	0h	0h = Input channel IN16 disabled. Polling sequence skips this channel 1h = Input channel IN16 enabled.
15	IN_EN_15	R/W	0h	0h = Input channel IN15 disabled. Polling sequence skips this channel 1h = Input channel IN15 enabled.

表 8-35. IN_EN Register Field Descriptions (continued)

Bit	Field	Type	Reset	Description
14	IN_EN_14	R/W	0h	0h = Input channel IN14 disabled. Polling sequence skips this channel 1h = Input channel IN14 enabled.
13	IN_EN_13	R/W	0h	0h = Input channel IN13 disabled. Polling sequence skips this channel 1h = Input channel IN13 enabled.
12	IN_EN_12	R/W	0h	0h = Input channel IN12 disabled. Polling sequence skips this channel 1h = Input channel IN12 enabled.
11	IN_EN_11	R/W	0h	0h = Input channel IN11 disabled. Polling sequence skips this channel 1h = Input channel IN11 enabled.
10	IN_EN_10	R/W	0h	0h = Input channel IN10 disabled. Polling sequence skips this channel 1h = Input channel IN10 enabled.
9	IN_EN_9	R/W	0h	0h = Input channel IN9 disabled. Polling sequence skips this channel 1h = Input channel IN9 enabled.
8	IN_EN_8	R/W	0h	0h = Input channel IN8 disabled. Polling sequence skips this channel 1h = Input channel IN8 enabled.
7	IN_EN_7	R/W	0h	0h = Input channel IN7 disabled. Polling sequence skips this channel 1h = Input channel IN7 enabled.
6	IN_EN_6	R/W	0h	0h = Input channel IN6 disabled. Polling sequence skips this channel 1h = Input channel IN6 enabled.
5	IN_EN_5	R/W	0h	0h = Input channel IN5 disabled. Polling sequence skips this channel 1h = Input channel IN5 enabled.
4	IN_EN_4	R/W	0h	0h = Input channel IN4 disabled. Polling sequence skips this channel 1h = Input channel IN4 enabled.
3	IN_EN_3	R/W	0h	0h = Input channel IN3 disabled. Polling sequence skips this channel 1h = Input channel IN3 enabled.
2	IN_EN_2	R/W	0h	0h = Input channel IN2 disabled. Polling sequence skips this channel 1h = Input channel IN2 enabled.
1	IN_EN_1	R/W	0h	0h = Input channel IN1 disabled. Polling sequence skips this channel 1h = Input channel IN1 enabled.
0	IN_EN_0	R/W	0h	0h = Input channel IN0 disabled. Polling sequence skips this channel 1h = Input channel IN0 enabled.

8.6.25 CS_SELECT Register (Offset = 1Ch) [Reset = 0h]

CS_SELECT is shown in [Figure 8-48](#) and described in [Table 8-36](#).

Return to [Summary Table](#).

Figure 8-48. CS_SELECT Register

23	22	21	20	19	18	17	16	15	14	13	12
RESERVED											
R-0h											
11	10	9	8	7	6	5	4	3	2	1	0
RESERVED		CS_IN9	CS_IN8	CS_IN7	CS_IN6	CS_IN5	CS_IN4	CS_IN3	CS_IN2	CS_IN1	CS_IN0
R-0h		R/W-0h	R/W-0h	R/W-0h	R/W-0h	R/W-0h	R/W-0h	R/W-0h	R/W-0h	R/W-0h	R/W-0h

LEGEND: R/W = Read/Write; R = Read only

Table 8-36. CS_SELECT Register Field Descriptions

Bit	Field	Type	Reset	Description
23-10	RESERVED	R	0h	Reserved
9	CS_IN9	R/W	0h	0h = Current Source (CSO) selected 1h = Current Sink (CSI) selected
8	CS_IN8	R/W	0h	0h = Current Source (CSO) selected 1h = Current Sink (CSI) selected
7	CS_IN7	R/W	0h	0h = Current Source (CSO) selected 1h = Current Sink (CSI) selected
6	CS_IN6	R/W	0h	0h = Current Source (CSO) selected 1h = Current Sink (CSI) selected
5	CS_IN5	R/W	0h	0h = Current Source (CSO) selected 1h = Current Sink (CSI) selected
4	CS_IN4	R/W	0h	0h = Current Source (CSO) selected 1h = Current Sink (CSI) selected
3	CS_IN3	R/W	0h	0h = Current Source (CSO) selected 1h = Current Sink (CSI) selected
2	CS_IN2	R/W	0h	0h = Current Source (CSO) selected 1h = Current Sink (CSI) selected
1	CS_IN1	R/W	0h	0h = Current Source (CSO) selected 1h = Current Sink (CSI) selected
0	CS_IN0	R/W	0h	0h = Current Source (CSO) selected 1h = Current Sink (CSI) selected

8.6.26 WC_CFG0 Register (Offset = 1Dh) [Reset = 0h]

 WC_CFG0 is shown in [图 8-49](#) and described in [表 8-37](#).

 Return to [Summary Table](#).

图 8-49. WC_CFG0 Register

23	22	21	20	19	18	17	16	15	14	13	12
WC_IN11			WC_IN10			WC_IN8_IN9			WC_IN6_IN7		
R/W-0h			R/W-0h			R/W-0h			R/W-0h		
11	10	9	8	7	6	5	4	3	2	1	0
WC_IN5			WC_IN4			WC_IN2_IN3			WC_IN0_IN1		
R/W-0h			R/W-0h			R/W-0h			R/W-0h		

LEGEND: R/W = Read/Write

表 8-37. WC_CFG0 Register Field Descriptions

Bit	Field	Type	Reset	Description
23-21	WC_IN11	R/W	0h	0h = no wetting current 1h = 1 mA (typical) wetting current 2h = 2 mA (typical) wetting current 3h = 5 mA (typical) wetting current 4h = 10 mA (typical) wetting current 5h-7h = 15 mA (typical) wetting current
20-18	WC_IN10	R/W	0h	0h = no wetting current 1h = 1 mA (typical) wetting current 2h = 2 mA (typical) wetting current 3h = 5 mA (typical) wetting current 4h = 10 mA (typical) wetting current 5h-7h = 15 mA (typical) wetting current
17-15	WC_IN8_IN9	R/W	0h	0h = no wetting current 1h = 1 mA (typical) wetting current 2h = 2 mA (typical) wetting current 3h = 5 mA (typical) wetting current 4h = 10 mA (typical) wetting current 5h-7h = 15 mA (typical) wetting current
14-12	WC_IN6_IN7	R/W	0h	0h = no wetting current 1h = 1 mA (typical) wetting current 2h = 2 mA (typical) wetting current 3h = 5 mA (typical) wetting current 4h = 10 mA (typical) wetting current 5h-7h = 15 mA (typical) wetting current
11-9	WC_IN5	R/W	0h	0h = no wetting current 1h = 1 mA (typical) wetting current 2h = 2 mA (typical) wetting current 3h = 5 mA (typical) wetting current 4h = 10 mA (typical) wetting current 5h-7h = 15 mA (typical) wetting current

表 8-37. WC_CFG0 Register Field Descriptions (continued)

Bit	Field	Type	Reset	Description
8-6	WC_IN4	R/W	0h	0h = no wetting current 1h = 1 mA (typical) wetting current 2h = 2 mA (typical) wetting current 3h = 5 mA (typical) wetting current 4h = 10 mA (typical) wetting current 5h-7h = 15 mA (typical) wetting current
5-3	WC_IN2_IN3	R/W	0h	0h = no wetting current 1h = 1 mA (typical) wetting current 2h = 2 mA (typical) wetting current 3h = 5 mA (typical) wetting current 4h = 10 mA (typical) wetting current 5h-7h = 15 mA (typical) wetting current
2-0	WC_IN0_IN1	R/W	0h	0h = no wetting current 1h = 1 mA (typical) wetting current 2h = 2 mA (typical) wetting current 3h = 5 mA (typical) wetting current 4h = 10 mA (typical) wetting current 5h-7h = 15 mA (typical) wetting current

8.6.27 WC_CFG1 Register (Offset = 1Eh) [Reset = 0h]

 WC_CFG1 is shown in [Figure 8-50](#) and described in [Table 8-38](#).

 Return to [Summary Table](#).

Figure 8-50. WC_CFG1 Register

23	22	21	20	19	18	17	16	15	14	13	12
RESERVED	AUTO_SCALE_DIS_CSI	AUTO_SCALE_DIS_CSO	WC_IN23		WC_IN22			WC_IN20_IN21			
R-0h	R/W-0h	R/W-0h	R/W-0h		R/W-0h			R/W-0h			
11	10	9	8	7	6	5	4	3	2	1	0
WC_IN18_IN19			WC_IN16_IN17			WC_IN14_IN15			WC_IN12_IN13		
R/W-0h			R/W-0h			R/W-0h			R/W-0h		

LEGEND: R/W = Read/Write; R = Read only

Table 8-38. WC_CFG1 Register Field Descriptions

Bit	Field	Type	Reset	Description
23	RESERVED	R	0h	Reserved
22	AUTO_SCALE_DIS_CSI	R/W	0h	0h = Enable wetting current auto-scaling (to 2 mA) in continuous mode for 10 mA and 15 mA settings upon switch closure for all inputs enabled with CSI 1h = Disable wetting current auto-scaling (to 2 mA) in continuous mode for 10 mA and 15 mA settings upon switch closure for all inputs enabled with CS For detailed descriptions for the wetting current auto-scaling, refer to section Wetting Current Auto-Scaling .
21	AUTO_SCALE_DIS_CSO	R/W	0h	0h = Enable wetting current auto-scaling (to 2 mA) in continuous mode for 10 mA and 15 mA settings upon switch closure for all inputs enabled with CSO 1h = Disable wetting current auto-scaling (to 2 mA) in continuous mode for 10 mA and 15 mA settings upon switch closure for all inputs enabled with CSO For detailed descriptions for the wetting current auto-scaling, refer to section Wetting Current Auto-Scaling .
20-18	WC_IN23	R/W	0h	0h = no wetting current 1h = 1 mA (typical) wetting current 2h = 2 mA (typical) wetting current 3h = 5 mA (typical) wetting current 4h = 10 mA (typical) wetting current 5h-7h = 15 mA (typical) wetting current
17-15	WC_IN22	R/W	0h	0h = no wetting current 1h = 1 mA (typical) wetting current 2h = 2 mA (typical) wetting current 3h = 5 mA (typical) wetting current 4h = 10 mA (typical) wetting current 5h-7h = 15 mA (typical) wetting current

表 8-38. WC_CFG1 Register Field Descriptions (continued)

Bit	Field	Type	Reset	Description
14-12	WC_IN20_IN21	R/W	0h	0h = no wetting current 1h = 1 mA (typical) wetting current 2h = 2 mA (typical) wetting current 3h = 5 mA (typical) wetting current 4h = 10 mA (typical) wetting current 5h-7h = 15 mA (typical) wetting current
11-9	WC_IN18_IN19	R/W	0h	0h = no wetting current 1h = 1 mA (typical) wetting current 2h = 2 mA (typical) wetting current 3h = 5 mA (typical) wetting current 4h = 10 mA (typical) wetting current 5h-7h = 15 mA (typical) wetting current
8-6	WC_IN16_IN17	R/W	0h	0h = no wetting current 1h = 1 mA (typical) wetting current 2h = 2 mA (typical) wetting current 3h = 5 mA (typical) wetting current 4h = 10 mA (typical) wetting current 5h-7h = 15 mA (typical) wetting current
5-3	WC_IN14_IN15	R/W	0h	0h = no wetting current 1h = 1 mA (typical) wetting current 2h = 2 mA (typical) wetting current 3h = 5 mA (typical) wetting current 4h = 10 mA (typical) wetting current 5h-7h = 15 mA (typical) wetting current
2-0	WC_IN12_IN13	R/W	0h	0h = no wetting current 1h = 1 mA (typical) wetting current 2h = 2 mA (typical) wetting current 3h = 5 mA (typical) wetting current 4h = 10 mA (typical) wetting current 5h-7h = 15 mA (typical) wetting current

8.6.28 CCP_CFG0 Register (Offset = 1Fh) [Reset = 0h]

 CCP_CFG0 is shown in [Figure 8-51](#) and described in [Table 8-39](#).

 Return to [Summary Table](#).

Figure 8-51. CCP_CFG0 Register

23	22	21	20	19	18	17	16	15	14	13	12
RESERVED											
R-0h											
11	10	9	8	7	6	5	4	3	2	1	0
RESERVED				CCP_TIME				WC_CCP 3	WC_CCP 2	WC_CCP 1	WC_CCP 0
R-0h				R-0h				R-0h	R-0h	R-0h	R-0h

LEGEND: R/W = Read/Write; R = Read only

Table 8-39. CCP_CFG0 Register Field Descriptions

Bit	Field	Type	Reset	Description
23-7	RESERVED	R	0h	Reserved
6-4	CCP_TIME	R/W	0h	Wetting current activation time in CCP mode 0h = 64 μ s 1h = 128 μ s 2h = 192 μ s 3h = 256 μ s 4h = 320 μ s 5h = 384 μ s 6h = 448 μ s 7h = 512 μ s
3	WC_CCP3	R/W	0h	Wetting current setting for IN18 to IN23 in CCP mode 0h = 10 mA (typical) wetting current 1h = 15 mA (typical) wetting current
2	WC_CCP2	R/W	0h	Wetting current setting for IN12 to IN17 in CCP mode 0h = 10 mA (typical) wetting current 1h = 15 mA (typical) wetting current
1	WC_CCP1	R/W	0h	Wetting current setting for IN6 to IN11 in CCP mode 0h = 10 mA (typical) wetting current 1h = 15 mA (typical) wetting current
0	WC_CCP0	R/W	0h	Wetting current setting for IN0 to IN5 in CCP mode 0h = 10 mA (typical) wetting current 1h = 15 mA (typical) wetting current

8.6.29 CCP_CFG1 Register (Offset = 20h) [Reset = 0h]

CCP_CFG1 is shown in [Figure 8-52](#) and described in [Table 8-40](#).

Return to [Summary Table](#).

Figure 8-52. CCP_CFG1 Register

23		22		21		20		19		18		17		16	
CCP_IN23	CCP_IN22	CCP_IN21	CCP_IN20	CCP_IN19	CCP_IN18	CCP_IN17	CCP_IN16	CCP_IN15	CCP_IN14	CCP_IN13	CCP_IN12	CCP_IN11	CCP_IN10	CCP_IN9	CCP_IN8
R/W-0h	R/W-0h	R/W-0h	R/W-0h	R/W-0h	R/W-0h	R/W-0h	R/W-0h	R/W-0h	R/W-0h	R/W-0h	R/W-0h	R/W-0h	R/W-0h	R/W-0h	R/W-0h
15		14		13		12		11		10		9		8	
CCP_IN15	CCP_IN14	CCP_IN13	CCP_IN12	CCP_IN11	CCP_IN10	CCP_IN9	CCP_IN8	CCP_IN7	CCP_IN6	CCP_IN5	CCP_IN4	CCP_IN3	CCP_IN2	CCP_IN1	CCP_IN0
R/W-0h	R/W-0h	R/W-0h	R/W-0h	R/W-0h	R/W-0h	R/W-0h	R/W-0h	R/W-0h	R/W-0h	R/W-0h	R/W-0h	R/W-0h	R/W-0h	R/W-0h	R/W-0h
7		6		5		4		3		2		1		0	
CCP_IN7	CCP_IN6	CCP_IN5	CCP_IN4	CCP_IN3	CCP_IN2	CCP_IN1	CCP_IN0	CCP_IN7	CCP_IN6	CCP_IN5	CCP_IN4	CCP_IN3	CCP_IN2	CCP_IN1	CCP_IN0
R/W-0h	R/W-0h	R/W-0h	R/W-0h	R/W-0h	R/W-0h	R/W-0h	R/W-0h	R/W-0h	R/W-0h	R/W-0h	R/W-0h	R/W-0h	R/W-0h	R/W-0h	R/W-0h

LEGEND: R/W = Read/Write

Table 8-40. CCP_CFG1 Register Field Descriptions

Bit	Field	Type	Reset	Description
23	CCP_IN23	R/W	0h	0h = no CCP wetting current 1h = CCP wetting current activated
22	CCP_IN22	R/W	0h	0h = no CCP wetting current 1h = CCP wetting current activated
21	CCP_IN21	R/W	0h	0h = no CCP wetting current 1h = CCP wetting current activated
20	CCP_IN20	R/W	0h	0h = no CCP wetting current 1h = CCP wetting current activated
19	CCP_IN19	R/W	0h	0h = no CCP wetting current 1h = CCP wetting current activated
18	CCP_IN18	R/W	0h	0h = no CCP wetting current 1h = CCP wetting current activated
17	CCP_IN17	R/W	0h	0h = no CCP wetting current 1h = CCP wetting current activated
16	CCP_IN16	R/W	0h	0h = no CCP wetting current 1h = CCP wetting current activated
15	CCP_IN15	R/W	0h	0h = no CCP wetting current 1h = CCP wetting current activated
14	CCP_IN14	R/W	0h	0h = no CCP wetting current 1h = CCP wetting current activated
13	CCP_IN13	R/W	0h	0h = no CCP wetting current 1h = CCP wetting current activated
12	CCP_IN12	R/W	0h	0h = no CCP wetting current 1h = CCP wetting current activated
11	CCP_IN11	R/W	0h	0h = no CCP wetting current 1h = CCP wetting current activated
10	CCP_IN10	R/W	0h	0h = no CCP wetting current 1h = CCP wetting current activated

表 8-40. CCP_CFG1 Register Field Descriptions (continued)

Bit	Field	Type	Reset	Description
9	CCP_IN9	R/W	0h	0h = no CCP wetting current 1h = CCP wetting current activated
8	CCP_IN8	R/W	0h	0h = no CCP wetting current 1h = CCP wetting current activated
7	CCP_IN7	R/W	0h	0h = no CCP wetting current 1h = CCP wetting current activated
6	CCP_IN6	R/W	0h	0h = no CCP wetting current 1h = CCP wetting current activated
5	CCP_IN5	R/W	0h	0h = no CCP wetting current 1h = CCP wetting current activated
4	CCP_IN4	R/W	0h	0h = no CCP wetting current 1h = CCP wetting current activated
3	CCP_IN3	R/W	0h	0h = no CCP wetting current 1h = CCP wetting current activated
2	CCP_IN2	R/W	0h	0h = no CCP wetting current 1h = CCP wetting current activated
1	CCP_IN1	R/W	0h	0h = no CCP wetting current 1h = CCP wetting current activated
0	CCP_IN0	R/W	0h	0h = no CCP wetting current 1h = CCP wetting current activated

8.6.30 THRES_COMP Register (Offset = 21h) [Reset = 0h]

THRES_COMP is shown in [Figure 8-53](#) and described in [Table 8-41](#).

Return to [Summary Table](#).

Figure 8-53. THRES_COMP Register

23	22	21	20	19	18	17	16
RESERVED							
R-0h							
15	14	13	12	11	10	9	8
RESERVED				THRES_COMP_IN20_IN23		THRES_COMP_IN16_IN19	
R-0h				R/W-0h		R/W-0h	
7	6	5	4	3	2	1	0
THRES_COMP_IN12_IN15		THRES_COMP_IN8_IN11		THRES_COMP_IN4_IN7		THRES_COMP_IN0_IN3	
R/W-0h		R/W-0h		R/W-0h		R/W-0h	

LEGEND: R/W = Read/Write; R = Read only

Table 8-41. THRES_COMP Register Field Descriptions

Bit	Field	Type	Reset	Description
23-12	RESERVED	R	0h	Reserved
11-10	THRES_COMP_IN20_IN23 3	R/W	0h	These 2 bits configure the comparator thresholds for input channels IN20 to IN23. 0h = comparator threshold set to 2 V 1h = comparator threshold set to 2.7 V 2h = comparator threshold set to 3 V 3h = comparator threshold set to 4 V
9-8	THRES_COMP_IN16_IN19 9	R/W	0h	These 2 bits configure the comparator thresholds for input channels IN16 to IN19. 0h = comparator threshold set to 2 V 1h = comparator threshold set to 2.7 V 2h = comparator threshold set to 3 V 3h = comparator threshold set to 4 V
7-6	THRES_COMP_IN12_IN15 5	R/W	0h	These 2 bits configure the comparator thresholds for input channels IN12 to IN15. 0h = comparator threshold set to 2 V 1h = comparator threshold set to 2.7 V 2h = comparator threshold set to 3 V 3h = comparator threshold set to 4 V
5-4	THRES_COMP_IN8_IN11	R/W	0h	These 2 bits configure the comparator thresholds for input channels IN8 to IN11. 0h = comparator threshold set to 2 V 1h = comparator threshold set to 2.7 V 2h = comparator threshold set to 3 V 3h = comparator threshold set to 4 V
3-2	THRES_COMP_IN4_IN7	R/W	0h	These 2 bits configure the comparator thresholds for input channels IN4 to IN7 0h = comparator threshold set to 2 V 1h = comparator threshold set to 2.7 V 2h = comparator threshold set to 3 V 3h = comparator threshold set to 4 V

表 8-41. THRES_COMP Register Field Descriptions (continued)

Bit	Field	Type	Reset	Description
1-0	THRES_COMP_IN0_IN3	R/W	0h	These 2 bits configure the comparator thresholds for input channels IN0 to IN3 0h = comparator threshold set to 2 V 1h = comparator threshold set to 2.7 V 2h = comparator threshold set to 3 V 3h = comparator threshold set to 4 V

8.6.31 INT_EN_COMP1 Register (Offset = 22h) [Reset = 0h]

INT_EN_COMP1 is shown in [Figure 8-54](#) and described in [Table 8-42](#).

Return to [Summary Table](#).

Figure 8-54. INT_EN_COMP1 Register

23	22	21	20	19	18	17	16	15	14	13	12
INC_EN_11		INC_EN_10		INC_EN_9		INC_EN_8		INC_EN_7		INC_EN_6	
R/W-0h		R/W-0h		R/W-0h		R/W-0h		R/W-0h		R/W-0h	
11	10	9	8	7	6	5	4	3	2	1	0
INC_EN_5		INC_EN_4		INC_EN_3		INC_EN_2		INC_EN_1		INC_EN_0	
R/W-0h		R/W-0h		R/W-0h		R/W-0h		R/W-0h		R/W-0h	

LEGEND: R/W = Read/Write

Table 8-42. INT_EN_COMP1 Register Field Descriptions

Bit	Field	Type	Reset	Description
23-22	INC_EN_11	R/W	0h	0h = no interrupt generation for IN11. 1h = interrupt generation on rising edge above THRES_COMP_IN8_IN11 for IN11. 2h = interrupt generation on falling edge below THRES_COMP_IN8_IN11 for IN11. 3h = interrupt generation on falling and rising edge of THRES_COMP_IN8_IN11 for IN11.
21-20	INC_EN_10	R/W	0h	0h = no interrupt generation for IN10 1h = interrupt generation on rising edge above THRES_COMP_IN8_IN11 for IN10. 2h = interrupt generation on falling edge below THRES_COMP_IN8_IN11 for IN10. 3h = interrupt generation on falling and rising edge of THRES_COMP_IN8_IN11 for IN10.
19-18	INC_EN_9	R/W	0h	0h = no interrupt generation for IN9. 1h = interrupt generation on rising edge above THRES_COMP_IN8_IN11 for IN9. 2h = interrupt generation on falling edge below THRES_COMP_IN8_IN11 for IN9. 3h = interrupt generation on falling and rising edge of THRES_COMP_IN8_IN11 for IN9.
17-16	INC_EN_8	R/W	0h	0h = no interrupt generation for IN8. 1h = interrupt generation on rising edge above THRES_COMP_IN8_IN11 for IN8. 2h = interrupt generation on falling edge below THRES_COMP_IN8_IN11 for IN8. 3h = interrupt generation on falling and rising edge of THRES_COMP_IN8_IN11 for IN8.
15-14	INC_EN_7	R/W	0h	0h = no interrupt generation for IN7. 1h = interrupt generation on rising edge above THRES_COMP_IN4_IN7 for IN7. 2h = interrupt generation on falling edge below THRES_COMP_IN4_IN7 for IN7. 3h = interrupt generation on falling and rising edge of THRES_COMP_IN4_IN7 for IN7.

表 8-42. INT_EN_COMP1 Register Field Descriptions (continued)

Bit	Field	Type	Reset	Description
13-12	INC_EN_6	R/W	0h	0h = no interrupt generation for IN6. 1h = interrupt generation on rising edge above THRES_COMP_IN4_IN7 for IN6. 2h = interrupt generation on falling edge below THRES_COMP_IN4_IN7 for IN6. 3h = interrupt generation on falling and rising edge of THRES_COMP_IN4_IN7 for IN6.
11-10	INC_EN_5	R/W	0h	0h = no interrupt generation for IN5. 1h = interrupt generation on rising edge above THRES_COMP_IN4_IN7 for IN5. 2h = interrupt generation on falling edge below THRES_COMP_IN4_IN7 for IN5. 3h = interrupt generation on falling and rising edge of THRES_COMP_IN4_IN7 for IN5.
9-8	INC_EN_4	R/W	0h	0h = no interrupt generation for IN4. 1h = interrupt generation on rising edge above THRES_COMP_IN4_IN7 for IN4. 2h = interrupt generation on falling edge below THRES_COMP_IN4_IN7 for IN4. 3h = interrupt generation on falling and rising edge of THRES_COMP_IN4_IN7 for IN4.
7-6	INC_EN_3	R/W	0h	0h = no interrupt generation for IN3. 1h = interrupt generation on rising edge above THRES_COMP_IN0_IN3 for IN3. 2h = interrupt generation on falling edge below THRES_COMP_IN0_IN3 for IN3. 3h = interrupt generation on falling and rising edge of THRES_COMP_IN0_IN3 for IN3.
5-4	INC_EN_2	R/W	0h	0h = no interrupt generation for IN2. 1h = interrupt generation on rising edge above THRES_COMP_IN0_IN3 for IN2. 2h = interrupt generation on falling edge below THRES_COMP_IN0_IN3 for IN2. 3h = interrupt generation on falling and rising edge of THRES_COMP_IN0_IN3 for IN2.
3-2	INC_EN_1	R/W	0h	0h = no interrupt generation for IN1. 1h = interrupt generation on rising edge above THRES_COMP_IN0_IN3 for IN1. 2h = interrupt generation on falling edge below THRES_COMP_IN0_IN3 for IN1. 3h = interrupt generation on falling and rising edge of THRES_COMP_IN0_IN3 for IN1.
1-0	INC_EN_0	R/W	0h	0h = no interrupt generation for IN0. 1h = interrupt generation on rising edge above THRES_COMP_IN0_IN3 for IN0. 2h = interrupt generation on falling edge below THRES_COMP_IN0_IN3 for IN0. 3h = interrupt generation on falling and rising edge of THRES_COMP_IN0_IN3 for IN0.

8.6.32 INT_EN_COMP2 Register (Offset = 23h) [Reset = 0h]

INT_EN_COMP2 is shown in [Figure 8-55](#) and described in [Table 8-43](#).

Return to [Summary Table](#).

Figure 8-55. INT_EN_COMP2 Register

23	22	21	20	19	18	17	16	15	14	13	12
INC_EN_23		INC_EN_22		INC_EN_21		INC_EN_20		INC_EN_19		INC_EN_18	
R/W-0h		R/W-0h		R/W-0h		R/W-0h		R/W-0h		R/W-0h	
11	10	9	8	7	6	5	4	3	2	1	0
INC_EN_17		INC_EN_16		INC_EN_15		INC_EN_14		INC_EN_13		INC_EN_12	
R/W-0h		R/W-0h		R/W-0h		R/W-0h		R/W-0h		R/W-0h	

LEGEND: R/W = Read/Write

Table 8-43. INT_EN_COMP2 Register Field Descriptions

Bit	Field	Type	Reset	Description
23-22	INC_EN_23	R/W	0h	0h = no interrupt generation for IN23. 1h = interrupt generation on rising edge above THRES_COMP_IN20_IN23 for IN23. 2h = interrupt generation on falling edge below THRES_COMP_IN20_IN23 for IN23. 3h = interrupt generation on falling and rising edge of THRES_COMP_IN20_IN23 for IN23.
21-20	INC_EN_22	R/W	0h	0h = no interrupt generation for IN22. 1h = interrupt generation on rising edge above THRES_COMP_IN20_IN23 for IN22. 2h = interrupt generation on falling edge below THRES_COMP_IN20_IN23 for IN22. 3h = interrupt generation on falling and rising edge of THRES_COMP_IN20_IN23 for IN22.
19-18	INC_EN_21	R/W	0h	0h = no interrupt generation for IN21. 1h = interrupt generation on rising edge above THRES_COMP_IN20_IN23 for IN21. 2h = interrupt generation on falling edge below THRES_COMP_IN20_IN23 for IN21. 3h = interrupt generation on falling and rising edge of THRES_COMP_IN20_IN23 for IN21.
17-16	INC_EN_20	R/W	0h	0h = no interrupt generation for IN20. 1h = interrupt generation on rising edge above THRES_COMP_IN20_IN23 for IN20. 2h = interrupt generation on falling edge below THRES_COMP_IN20_IN23 for IN20. 3h = interrupt generation on falling and rising edge of THRES_COMP_IN20_IN23 for IN20.
15-14	INC_EN_19	R/W	0h	0h = no interrupt generation for IN19. 1h = interrupt generation on rising edge above THRES_COMP_IN16_IN19 for IN19. 2h = interrupt generation on falling edge below THRES_COMP_IN16_IN19 for IN19. 3h = interrupt generation on falling and rising edge of THRES_COMP_IN16_IN19 for IN19.

表 8-43. INT_EN_COMP2 Register Field Descriptions (continued)

Bit	Field	Type	Reset	Description
13-12	INC_EN_18	R/W	0h	0h = no interrupt generation for IN18. 1h = interrupt generation on rising edge above THRES_COMP_IN16_IN19 for IN18. 2h = interrupt generation on falling edge below THRES_COMP_IN16_IN19 for IN18. 3h = interrupt generation on falling and rising edge of THRES_COMP_IN16_IN19 for IN18.
11-10	INC_EN_17	R/W	0h	0h = no interrupt generation for IN17. 1h = interrupt generation on rising edge above THRES_COMP_IN16_IN19 for IN17. 2h = interrupt generation on falling edge below THRES_COMP_IN16_IN19 for IN17. 3h = interrupt generation on falling and rising edge of THRES_COMP_IN16_IN19 for IN17.
9-8	INC_EN_16	R/W	0h	0h = no interrupt generation for IN16. 1h = interrupt generation on rising edge above THRES_COMP_IN16_IN19 for IN16. 2h = interrupt generation on falling edge below THRES_COMP_IN16_IN19 for IN16. 3h = interrupt generation on falling and rising edge of THRES_COMP_IN16_IN19 for IN16.
7-6	INC_EN_15	R/W	0h	0h = no interrupt generation for IN15. 1h = interrupt generation on rising edge above THRES_COMP_IN12_IN15 for IN15. 2h = interrupt generation on falling edge below THRES_COMP_IN12_IN15 for IN15. 3h = interrupt generation on falling and rising edge of THRES_COMP_IN12_IN15 for IN15.
5-4	INC_EN_14	R/W	0h	0h = no interrupt generation for IN14. 1h = interrupt generation on rising edge above THRES_COMP_IN12_IN15 for IN14. 2h = interrupt generation on falling edge below THRES_COMP_IN12_IN15 for IN14. 3h = interrupt generation on falling and rising edge of THRES_COMP_IN12_IN15 for IN14.
3-2	INC_EN_13	R/W	0h	0h = no interrupt generation for IN13. 1h = interrupt generation on rising edge above THRES_COMP_IN12_IN15 for IN13. 2h = interrupt generation on falling edge below THRES_COMP_IN12_IN15 for IN13. 3h = interrupt generation on falling and rising edge of THRES_COMP_IN12_IN15 for IN13.
1-0	INC_EN_12	R/W	0h	0h = no interrupt generation for IN12. 1h = interrupt generation on rising edge above THRES_COMP_IN12_IN15 for IN12. 2h = interrupt generation on falling edge below THRES_COMP_IN12_IN15 for IN12. 3h = interrupt generation on falling and rising edge of THRES_COMP_IN12_IN15 for IN12.

8.6.33 INT_EN_CFG0 Register (Offset = 24h) [Reset = 0h]

INT_EN_CFG0 is shown in [Figure 8-56](#) and described in [Table 8-44](#).

Return to [Summary Table](#).

Figure 8-56. INT_EN_CFG0 Register

23		22		21		20		19		18		17		16	
RESERVED															
R-0h															
15		14		13		12		11		10		9		8	
RESERVED								ADC_DIAG_EN		WET_DIAG_EN		VS1_EN		VS0_EN	
R-0h								R/W-0h		R/W-0h		R/W-0h		R/W-0h	
7		6		5		4		3		2		1		0	
CRC_CALC_EN		UV_EN		OV_EN		TW_EN		TSD_EN		SSC_EN		PRTY_FAIL_EN		SPI_FAIL_EN	
R/W-0h		R/W-0h		R/W-0h		R/W-0h		R/W-0h		R/W-0h		R/W-0h		R/W-0h	

LEGEND: R/W = Read/Write; R = Read only

Table 8-44. INT_EN_CFG0 Register Field Descriptions

Bit	Field	Type	Reset	Description
23-12	RESERVED	R	0h	Reserved
11	ADC_DIAG_EN	R/W	0h	0h = $\overline{\text{INT}}$ pin assertion due to ADC error disabled. 1h = $\overline{\text{INT}}$ pin assertion due to ADC error enabled.
10	WET_DIAG_EN	R/W	0h	0h = $\overline{\text{INT}}$ pin assertion due to wetting current error disabled. 1h = $\overline{\text{INT}}$ pin assertion due to wetting current error enabled.
9	VS1_EN	R/W	0h	0h = $\overline{\text{INT}}$ pin assertion due to VS1 threshold crossing disabled. 1h = $\overline{\text{INT}}$ pin assertion due to VS1 threshold crossing enabled.
8	VS0_EN	R/W	0h	0h = $\overline{\text{INT}}$ pin assertion due to VS0 threshold crossing disabled. 1h = $\overline{\text{INT}}$ pin assertion due to VS0 threshold crossing enabled.
7	CRC_CALC_EN	R/W	0h	0h = $\overline{\text{INT}}$ pin assertion due to CRC calculation completion disabled. 1h = $\overline{\text{INT}}$ pin assertion due to CRC calculation completion enabled.
6	UV_EN	R/W	0h	0h = $\overline{\text{INT}}$ pin assertion due to UV event disabled. 1h = $\overline{\text{INT}}$ pin assertion due to UV event enabled.
5	OV_EN	R/W	0h	0h = $\overline{\text{INT}}$ pin assertion due to OV event disabled. 1h = $\overline{\text{INT}}$ pin assertion due to OV event enabled.
4	TW_EN	R/W	0h	0h = $\overline{\text{INT}}$ pin assertion due to TW event disabled. 1h = $\overline{\text{INT}}$ pin assertion due to TW event enabled.
3	TSD_EN	R/W	0h	0h = $\overline{\text{INT}}$ pin assertion due to TSD event disabled. 1h = $\overline{\text{INT}}$ pin assertion due to TSD event enabled.
2	SSC_EN	R/W	0h	0h = $\overline{\text{INT}}$ pin assertion due to SSC event disabled. 1h = $\overline{\text{INT}}$ pin assertion due to SSC event enabled.
1	PRTY_FAIL_EN	R/W	0h	0h = $\overline{\text{INT}}$ pin assertion due to parity fail event disabled. 1h = $\overline{\text{INT}}$ pin assertion due to parity fail event enabled.
0	SPI_FAIL_EN	R/W	0h	0h = $\overline{\text{INT}}$ pin assertion due to SPI fail event disabled. 1h = $\overline{\text{INT}}$ pin assertion due to SPI fail event enabled.

8.6.34 INT_EN_CFG1 Register (Offset = 25h) [Reset = 0h]

INT_EN_CFG1 is shown in [图 8-57](#) and described in [表 8-45](#).

Return to [Summary Table](#).

图 8-57. INT_EN_CFG1 Register

23	22	21	20	19	18	17	16	15	14	13	12
IN11_EN		IN10_EN		IN9_EN		IN8_EN		IN7_EN		IN6_EN	
R/W-0h		R/W-0h		R/W-0h		R/W-0h		R/W-0h		R/W-0h	
11	10	9	8	7	6	5	4	3	2	1	0
IN5_EN		IN4_EN		IN3_EN		IN2_EN		IN1_EN		IN0_EN	
R/W-0h		R/W-0h		R/W-0h		R/W-0h		R/W-0h		R/W-0h	

LEGEND: R/W = Read/Write

表 8-45. INT_EN_CFG1 Register Field Descriptions

Bit	Field	Type	Reset	Description
23-22	IN11_EN	R/W	0h	0h = no interrupt generation for IN11. 1h = interrupt generation on rising edge above THRESx for IN11. 2h = interrupt generation on falling edge below THRESx for IN11. 3h = interrupt generation on falling and rising edge of THRESx for IN11.
21-20	IN10_EN	R/W	0h	0h = no interrupt generation for IN10. 1h = interrupt generation on rising edge above THRESx for IN10. 2h = interrupt generation on falling edge below THRESx for IN10. 3h = interrupt generation on falling and rising edge of THRESx for IN10.
19-18	IN9_EN	R/W	0h	0h = no interrupt generation for IN9. 1h = interrupt generation on rising edge above THRESx for IN9. 2h = interrupt generation on falling edge below THRESx for IN9. 3h = interrupt generation on falling and rising edge of THRESx for IN9.
17-16	IN8_EN	R/W	0h	0h = no interrupt generation for IN8. 1h = interrupt generation on rising edge above THRESx for IN8. 2h = interrupt generation on falling edge below THRESx for IN8. 3h = interrupt generation on falling and rising edge of THRESx for IN8.
15-14	IN7_EN	R/W	0h	0h = no interrupt generation for IN7. 1h = interrupt generation on rising edge above THRESx for IN7. 2h = interrupt generation on falling edge below THRESx for IN7. 3h = interrupt generation on falling and rising edge of THRESx for IN7.
13-12	IN6_EN	R/W	0h	0h = no interrupt generation for IN6. 1h = interrupt generation on rising edge above THRESx for IN6. 2h = interrupt generation on falling edge below THRESx for IN6. 3h = interrupt generation on falling and rising edge of THRESx for IN6.
11-10	IN5_EN	R/W	0h	0h = no interrupt generation for IN5. 1h = interrupt generation on rising edge above THRESx for IN5. 2h = interrupt generation on falling edge below THRESx for IN5. 3h = interrupt generation on falling and rising edge of THRESx for IN5.

表 8-45. INT_EN_CFG1 Register Field Descriptions (continued)

Bit	Field	Type	Reset	Description
9-8	IN4_EN	R/W	0h	0h = no interrupt generation for IN4. 1h = interrupt generation on rising edge above THRESx for IN4. 2h = interrupt generation on falling edge below THRESx for IN4. 3h = interrupt generation on falling and rising edge of THRESx for IN4.
7-6	IN3_EN	R/W	0h	0h = no interrupt generation for IN3. 1h = interrupt generation on rising edge above THRESx for IN3. 2h = interrupt generation on falling edge below THRESx for IN3. 3h = interrupt generation on falling and rising edge of THRESx for IN3.
5-4	IN2_EN	R/W	0h	0h = no interrupt generation for IN2. 1h = interrupt generation on rising edge above THRESx for IN2. 2h = interrupt generation on falling edge below THRESx for IN2. 3h = interrupt generation on falling and rising edge of THRESx for IN2.
3-2	IN1_EN	R/W	0h	0h = no interrupt generation for IN1. 1h = interrupt generation on rising edge above THRESx for IN1. 2h = interrupt generation on falling edge below THRESx for IN1. 3h = interrupt generation on falling and rising edge of THRESx for IN1.
1-0	IN0_EN	R/W	0h	0h = no interrupt generation for IN0. 1h = interrupt generation on rising edge above THRESx for IN0. 2h = interrupt generation on falling edge below THRESx for IN0. 3h = interrupt generation on falling and rising edge of THRESx for IN0.

8.6.35 INT_EN_CFG2 Register (Offset = 26h) [Reset = 0h]

INT_EN_CFG2 is shown in [Figure 8-58](#) and described in [Table 8-46](#).

Return to [Summary Table](#).

Figure 8-58. INT_EN_CFG2 Register

23	22	21	20	19	18	17	16	15	14	13	12
IN17_EN				IN16_EN				IN15_EN			
R/W-0h				R/W-0h				R/W-0h			
11	10	9	8	7	6	5	4	3	2	1	0
IN14_EN				IN13_EN				IN12_EN			
R/W-0h				R/W-0h				R/W-0h			

LEGEND: R/W = Read/Write

Table 8-46. INT_EN_CFG2 Register Field Descriptions

Bit	Field	Type	Reset	Description
23-20	IN17_EN	R/W	0h	xx00: no interrupt generation for IN17 w.r.t. THRES2A. xx01: interrupt generation on rising edge above THRES2A for IN17. xx10: interrupt generation on falling edge below THRES2A for IN17. xx11: interrupt generation on falling and rising edge of THRES2A for IN17. 00xx: no interrupt generation for IN17 w.r.t. THRES2B. 01xx: interrupt generation on rising edge above THRES2B for IN17. 10xx: interrupt generation on falling edge below THRES2B for IN17. 11xx: interrupt generation on falling and rising edge of THRES2B for IN17.
19-16	IN16_EN	R/W	0h	xx00: no interrupt generation for IN16 w.r.t. THRES2A. xx01: interrupt generation on rising edge above THRES2A for IN16. xx10: interrupt generation on falling edge below THRES2A for IN16. xx11: interrupt generation on falling and rising edge of THRES2A for IN16. 00xx: no interrupt generation for IN16 w.r.t. THRES2B. 01xx: interrupt generation on rising edge above THRES2B for IN16. 10xx: interrupt generation on falling edge below THRES2B for IN16. 11xx: interrupt generation on falling and rising edge of THRES2B for IN16.
15-12	IN15_EN	R/W	0h	xx00: no interrupt generation for IN15 w.r.t. THRES2A. xx01: interrupt generation on rising edge above THRES2A for IN15. xx10: interrupt generation on falling edge below THRES2A for IN15. xx11: interrupt generation on falling and rising edge of THRES2A for IN15. 00xx: no interrupt generation for IN15 w.r.t. THRES2B. 01xx: interrupt generation on rising edge above THRES2B for IN15. 10xx: interrupt generation on falling edge below THRES2B for IN15. 11xx: interrupt generation on falling and rising edge of THRES2B for IN15.

表 8-46. INT_EN_CFG2 Register Field Descriptions (continued)

Bit	Field	Type	Reset	Description
11-8	IN14_EN	R/W	0h	xx00: no interrupt generation for IN14 w.r.t. THRES2A. xx01: interrupt generation on rising edge above THRES2A for IN14. xx10: interrupt generation on falling edge below THRES2A for IN14. xx11: interrupt generation on falling and rising edge of THRES2A for IN14. 00xx: no interrupt generation for IN14 w.r.t. THRES2B. 01xx: interrupt generation on rising edge above THRES2B for IN14. 10xx: interrupt generation on falling edge below THRES2B for IN14. 11xx: interrupt generation on falling and rising edge of THRES2B for IN14.
7-4	IN13_EN	R/W	0h	xx00: no interrupt generation for IN13 w.r.t. THRES2A. xx01: interrupt generation on rising edge above THRES2A for IN13. xx10: interrupt generation on falling edge below THRES2A for IN13. xx11: interrupt generation on falling and rising edge of THRES2A for IN13. 00xx: no interrupt generation for IN13 w.r.t. THRES2B. 01xx: interrupt generation on rising edge above THRES2B for IN13. 10xx: interrupt generation on falling edge below THRES2B for IN13. 11xx: interrupt generation on falling and rising edge of THRES2B for IN13.
3-0	IN12_EN	R/W	0h	xx00: no interrupt generation for IN12 w.r.t. THRES2A. xx01: interrupt generation on rising edge above THRES2A for IN12. xx10: interrupt generation on falling edge below THRES2A for IN12. xx11: interrupt generation on falling and rising edge of THRES2A for IN12. 00xx: no interrupt generation for IN12 w.r.t. THRES2B. 01xx: interrupt generation on rising edge above THRES2B for IN12. 10xx: interrupt generation on falling edge below THRES2B for IN12. 11xx: interrupt generation on falling and rising edge of THRES2B for IN12.

8.6.36 INT_EN_CFG3 Register (Offset = 27h) [Reset = 0h]

INT_EN_CFG3 is shown in [Figure 8-59](#) and described in [Table 8-47](#).

Return to [Summary Table](#).

Figure 8-59. INT_EN_CFG3 Register

23	22	21	20	19	18	17	16	15	14	13	12
IN21_EN								IN20_EN			
R/W-0h								R/W-0h			
11	10	9	8	7	6	5	4	3	2	1	0
IN19_EN								IN18_EN			
R/W-0h								R/W-0h			

LEGEND: R/W = Read/Write

Table 8-47. INT_EN_CFG3 Register Field Descriptions

Bit	Field	Type	Reset	Description
23-18	IN21_EN	R/W	0h	xxxx00: no interrupt generation for IN21 w.r.t. THRES3A xxxx01: interrupt generation on rising edge above THRES3A for IN21 xxxx10: interrupt generation on falling edge below THRES3A for IN21 xxxx11: interrupt generation on falling and rising edge of THRES3A for IN21 xx00xx: no interrupt generation for IN21 w.r.t. THRES3B xx01xx: interrupt generation on rising edge above THRES3B for IN21 xx10xx: interrupt generation on falling edge below THRES3B for IN21 xx11xx: interrupt generation on falling and rising edge of THRES3B for IN21 00xxxx: no interrupt generation for IN21 w.r.t. THRES3C 01xxxx: interrupt generation on rising edge above THRES3C for IN21 10xxxx: interrupt generation on falling edge below THRES3C for IN21 11xxxx: interrupt generation on falling and rising edge of THRES3C for IN21

表 8-47. INT_EN_CFG3 Register Field Descriptions (continued)

Bit	Field	Type	Reset	Description
17-12	IN20_EN	R/W	0h	xxxx00: no interrupt generation for IN20 w.r.t. THRES3A xxxx01: interrupt generation on rising edge above THRES3A for IN20 xxxx10: interrupt generation on falling edge below THRES3A for IN20 xxxx11: interrupt generation on falling and rising edge of THRES3A for IN20 xx00xx: no interrupt generation for IN20 w.r.t. THRES3B xx01xx: interrupt generation on rising edge above THRES3B for IN20 xx10xx: interrupt generation on falling edge below THRES3B for IN20 xx11xx: interrupt generation on falling and rising edge of THRES3B for IN20 00xxxx: no interrupt generation for IN20 w.r.t. THRES3C 01xxxx: interrupt generation on rising edge above THRES3C for IN20 10xxxx: interrupt generation on falling edge below THRES3C for IN20 11xxxx: interrupt generation on falling and rising edge of THRES3C for IN20
11-6	IN19_EN	R/W	0h	xxxx00: no interrupt generation for IN19 w.r.t. THRES3A xxxx01: interrupt generation on rising edge above THRES3A for IN19 xxxx10: interrupt generation on falling edge below THRES3A for IN19 xxxx11: interrupt generation on falling and rising edge of THRES3A for IN19 xx00xx: no interrupt generation for IN19 w.r.t. THRES3B xx01xx: interrupt generation on rising edge above THRES3B for IN19 xx10xx: interrupt generation on falling edge below THRES3B for IN19 xx11xx: interrupt generation on falling and rising edge of THRES3B for IN19 00xxxx: no interrupt generation for IN19 w.r.t. THRES3C 01xxxx: interrupt generation on rising edge above THRES3C for IN19 10xxxx: interrupt generation on falling edge below THRES3C for IN19 11xxxx: interrupt generation on falling and rising edge of THRES3C for IN19

表 8-47. INT_EN_CFG3 Register Field Descriptions (continued)

Bit	Field	Type	Reset	Description
5-0	IN18_EN	R/W	0h	xxxx00: no interrupt generation for IN18 w.r.t. THRES3A xxxx01: interrupt generation on rising edge above THRES3A for IN18 xxxx10: interrupt generation on falling edge below THRES3A for IN18 xxxx11: interrupt generation on falling and rising edge of THRES3A for IN18 xx00xx: no interrupt generation for IN18 w.r.t. THRES3B xx01xx: interrupt generation on rising edge above THRES3B for IN18 xx10xx: interrupt generation on falling edge below THRES3B for IN18 xx11xx: interrupt generation on falling and rising edge of THRES3B for IN18 00xxxx: no interrupt generation for IN18 w.r.t. THRES3C 01xxxx: interrupt generation on rising edge above THRES3C for IN18 10xxxx: interrupt generation on falling edge below THRES3C for IN18 11xxxx: interrupt generation on falling and rising edge of THRES3C for IN18

8.6.37 INT_EN_CFG4 Register (Offset = 28h) [Reset = 0h]

INT_EN_CFG4 is shown in [图 8-60](#) and described in [表 8-48](#).

Return to [Summary Table](#).

图 8-60. INT_EN_CFG4 Register

23	22	21	20	19	18	17	16	15	14	13	12
VS_TH1_EN				VS_TH0_EN				IN23_EN			
R/W-0h				R/W-0h				R/W-0h			
11	10	9	8	7	6	5	4	3	2	1	0
IN23_EN						IN22_EN					
R/W-0h						R/W-0h					

LEGEND: R/W = Read/Write

表 8-48. INT_EN_CFG4 Register Field Descriptions

Bit	Field	Type	Reset	Description
23-20	VS_TH1_EN	R/W	0h	xx00: no interrupt generation for V_S w.r.t. VS1_THRES2A. xx01: interrupt generation on rising edge above VS1_THRES2A for V_S . xx10: interrupt generation on falling edge below VS1_THRES2A for V_S . xx11: interrupt generation on falling and rising edge of VS1_THRES2A for V_S . 00xx: no interrupt generation for V_S w.r.t. VS1_THRES2B. 01xx: interrupt generation on rising edge above VS1_THRES2B for V_S . 10xx: interrupt generation on falling edge below VS1_THRES2B for V_S . 11xx: interrupt generation on falling and rising edge of VS1_THRES2B for V_S .
19-16	VS_TH0_EN	R/W	0h	xx00: no interrupt generation for V_S w.r.t. VS0_THRES2A. xx01: interrupt generation on rising edge above VS0_THRES2A for V_S . xx10: interrupt generation on falling edge below VS0_THRES2A for V_S . xx11: interrupt generation on falling and rising edge of VS0_THRES2A for V_S . 00xx: no interrupt generation for V_S w.r.t. VS0_THRES2B. 01xx: interrupt generation on rising edge above VS0_THRES2B for V_S . 10xx: interrupt generation on falling edge below VS0_THRES2B for V_S . 11xx: interrupt generation on falling and rising edge of VS0_THRES2B for V_S .

表 8-48. INT_EN_CFG4 Register Field Descriptions (continued)

Bit	Field	Type	Reset	Description
15-6	IN23_EN	R/W	0h	<p>xxxxxxx00: no interrupt generation for IN23 w.r.t. THRES3A.</p> <p>xxxxxxx01: interrupt generation on rising edge above THRES3A for IN23.</p> <p>xxxxxxx10: interrupt generation on falling edge below THRES3A for IN23.</p> <p>xxxxxxx11: interrupt generation on falling and rising edge of THRES3A for IN23.</p> <p>xxxxx00xx: no interrupt generation for IN23 w.r.t. THRES3B.</p> <p>xxxxx01xx: interrupt generation on rising edge above THRES3B for IN23.</p> <p>xxxxx10xx: interrupt generation on falling edge below THRES3B for IN23.</p> <p>xxxxx11xx: interrupt generation on falling and rising edge of THRES3B for IN23.</p> <p>xxx00xxx: no interrupt generation for IN23 w.r.t. THRES3C.</p> <p>xxx01xxx: interrupt generation on rising edge above THRES3C for IN23.</p> <p>xxx10xxx: interrupt generation on falling edge below THRES3C for IN23.</p> <p>xxx11xxx: interrupt generation on falling and rising edge of THRES3C for IN23.</p> <p>xx00xxxx: no interrupt generation for IN23 w.r.t. THRES8.</p> <p>xx01xxxx: interrupt generation on rising edge above THRES8 for IN23.</p> <p>xx10xxxx: interrupt generation on falling edge below THRES8 for IN23.</p> <p>xx11xxxx: interrupt generation on falling and rising edge of THRES8 for IN23.</p> <p>00xxxxxxx: no interrupt generation for IN23 w.r.t. THRES9.</p> <p>01xxxxxxx: interrupt generation on rising edge above THRES9 for IN23.</p> <p>10xxxxxxx: interrupt generation on falling edge below THRES9 for IN23.</p> <p>11xxxxxxx: interrupt generation on falling and rising edge of THRES9 for IN23.</p>

表 8-48. INT_EN_CFG4 Register Field Descriptions (continued)

Bit	Field	Type	Reset	Description
5-0	IN22_EN	R/W	0h	xxxx00: no interrupt generation for IN22 w.r.t. THRES3A. xxxx01: interrupt generation on rising edge above THRES3A for IN22. xxxx10: interrupt generation on falling edge below THRES3A for IN22. xxxx11: interrupt generation on falling and rising edge of THRES3A for IN22. xx00xx: no interrupt generation for IN22 w.r.t. THRES3B. xx01xx: interrupt generation on rising edge above THRES3B for IN22. xx10xx: interrupt generation on falling edge below THRES3B for IN22. xx11xx: interrupt generation on falling and rising edge of THRES3B for IN22. 00xxxx: no interrupt generation for IN22 w.r.t. THRES3C. 01xxxx: interrupt generation on rising edge above THRES3C for IN22. 10xxxx: interrupt generation on falling edge below THRES3C for IN22. 11xxxx: interrupt generation on falling and rising edge of THRES3C for IN22.

8.6.38 THRES_CFG0 Register (Offset = 29h) [Reset = 0h]

THRES_CFG0 is shown in [图 8-61](#) and described in [表 8-49](#).

Return to [Summary Table](#).

图 8-61. THRES_CFG0 Register

23	22	21	20	19	18	17	16	15	14	13	12	11	10	9	8	7	6	5	4	3	2	1	0
RESERVED				THRES1										THRES0									
R-0h				R-0h										R-0h									

LEGEND: R/W = Read/Write; R = Read only

表 8-49. THRES_CFG0 Register Field Descriptions

Bit	Field	Type	Reset	Description
23-20	RESERVED	R	0h	Reserved
19-10	THRES1	R/W	0h	10-bits value of threshold 1: Bit10: LSB Bit19: MSB
9-0	THRES0	R/W	0h	10-bits value of threshold 0 Bit0: LSB Bit9: MSB

8.6.39 THRES_CFG1 Register (Offset = 2Ah) [Reset = 0h]

THRES_CFG1 is shown in [图 8-62](#) and described in [表 8-50](#).

Return to [Summary Table](#).

图 8-62. THRES_CFG1 Register

23	22	21	20	19	18	17	16	15	14	13	12	11	10	9	8	7	6	5	4	3	2	1	0
RESERVED				THRES3										THRES2									
R-0h				R-0h										R-0h									

LEGEND: R/W = Read/Write; R = Read only

表 8-50. THRES_CFG1 Register Field Descriptions

Bit	Field	Type	Reset	Description
23-20	RESERVED	R	0h	Reserved
19-10	THRES3	R/W	0h	10-bits value of threshold 3: Bit10: LSB Bit19: MSB
9-0	THRES2	R/W	0h	10-bits value of threshold 2 Bit0: LSB Bit9: MSB

8.6.40 THRES_CFG2 Register (Offset = 2Bh) [Reset = 0h]

THRES_CFG2 is shown in [图 8-63](#) and described in [表 8-51](#).

Return to [Summary Table](#).

图 8-63. THRES_CFG2 Register

23	22	21	20	19	18	17	16	15	14	13	12	11	10	9	8	7	6	5	4	3	2	1	0
RESERVED				THRES5										THRES4									
R-0h				R-0h										R-0h									

LEGEND: R/W = Read/Write; R = Read only

表 8-51. THRES_CFG2 Register Field Descriptions

Bit	Field	Type	Reset	Description
23-20	RESERVED	R	0h	Reserved
19-10	THRES5	R/W	0h	10-bits value of threshold 5: Bit10: LSB Bit19: MSB
10-1	THRES4	R/W	0h	10-bits value of threshold 4: Bit0: LSB Bit9: MSB

8.6.41 THRES_CFG3 Register (Offset = 2Ch) [Reset = X]

THRES_CFG3 is shown in [图 8-64](#) and described in [表 8-52](#).

Return to [Summary Table](#).

图 8-64. THRES_CFG3 Register

23	22	21	20	19	18	17	16	15	14	13	12	11	10	9	8	7	6	5	4	3	2	1	0
RESERVED				THRES6										THRES7									
R-0h				R-0h										R-0h									

LEGEND: R/W = Read/Write; R = Read only

表 8-52. THRES_CFG3 Register Field Descriptions

Bit	Field	Type	Reset	Description
23-20	RESERVED	R	0h	Reserved
19-10	THRES7	R/W	0h	10-bits value of threshold 7: Bit10: LSB Bit19: MSB
9-0	THRES6	R/W	0h	10-bits value of threshold 6: Bit0: LSB Bit9: MSB

8.6.42 THRES_CFG4 Register (Offset = 2Dh) [Reset = X]

 THRES_CFG4 is shown in [图 8-65](#) and described in [表 8-53](#).

 Return to [Summary Table](#).

图 8-65. THRES_CFG4 Register

23	22	21	20	19	18	17	16	15	14	13	12	11	10	9	8	7	6	5	4	3	2	1	0
RESERVED				THRES9										THRES8									
R-0h				R-0h										R-0h									

LEGEND: R/W = Read/Write; R = Read only

表 8-53. THRES_CFG4 Register Field Descriptions

Bit	Field	Type	Reset	Description
23-20	RESERVED	R	0h	Reserved
19-10	THRES9	R/W	0h	10-bits value of threshold 9: Bit10: LSB Bit19: MSB
9-0	THRES8	R/W	0h	10-bits value of threshold 8: Bit0: LSB Bit9: MSB

8.6.43 THRESMAP_CFG0 Register (Offset = 2Eh) [Reset = 0h]

THRESMAP_CFG0 is shown in [Figure 8-66](#) and described in [Table 8-54](#).

Return to [Summary Table](#).

Figure 8-66. THRESMAP_CFG0 Register

23	22	21	20	19	18	17	16	15	14	13	12				
THRESMAP_IN7				THRESMAP_IN6				THRESMAP_IN5				THRESMAP_IN4			
R/W-0h				R/W-0h				R/W-0h				R/W-0h			
11	10	9	8	7	6	5	4	3	2	1	0				
THRESMAP_IN3				THRESMAP_IN2				THRESMAP_IN1				THRESMAP_IN0			
R/W-0h				R/W-0h				R/W-0h				R/W-0h			

LEGEND: R/W = Read/Write

Table 8-54. THRESMAP_CFG0 Register Field Descriptions

Bit	Field	Type	Reset	Description
23-21	THRESMAP_IN7	R/W	0h	0h = THRES0 1h = THRES1 2h = THRES2 3h = THRES3 4h = THRES4 5h = THRES5 6h = THRES6 7h = THRES7
20-18	THRESMAP_IN6	R/W	0h	0h = THRES0 1h = THRES1 2h = THRES2 3h = THRES3 4h = THRES4 5h = THRES5 6h = THRES6 7h = THRES7
17-15	THRESMAP_IN5	R/W	0h	0h = THRES0 1h = THRES1 2h = THRES2 3h = THRES3 4h = THRES4 5h = THRES5 6h = THRES6 7h = THRES7
14-12	THRESMAP_IN4	R/W	0h	0h = THRES0 1h = THRES1 2h = THRES2 3h = THRES3 4h = THRES4 5h = THRES5 6h = THRES6 7h = THRES7

表 8-54. THRESMAP_CFG0 Register Field Descriptions (continued)

Bit	Field	Type	Reset	Description
11-9	THRESMAP_IN3	R/W	0h	0h = THRES0 1h = THRES1 2h = THRES2 3h = THRES3 4h = THRES4 5h = THRES5 6h = THRES6 7h = THRES7
8-6	THRESMAP_IN2	R/W	0h	0h = THRES0 1h = THRES1 2h = THRES2 3h = THRES3 4h = THRES4 5h = THRES5 6h = THRES6 7h = THRES7
5-3	THRESMAP_IN1	R/W	0h	0h = THRES0 1h = THRES1 2h = THRES2 3h = THRES3 4h = THRES4 5h = THRES5 6h = THRES6 7h = THRES7
2-0	THRESMAP_IN0	R/W	0h	0h = THRES0 1h = THRES1 2h = THRES2 3h = THRES3 4h = THRES4 5h = THRES5 6h = THRES6 7h = THRES7

8.6.44 THRESMAP_CFG1 Register (Offset = 2Fh) [Reset = 0h]

THRESMAP_CFG1 is shown in [Figure 8-67](#) and described in [Table 8-55](#).

Return to [Summary Table](#).

Figure 8-67. THRESMAP_CFG1 Register

23	22	21	20	19	18	17	16	15	14	13	12
RESERVED						THRESMAP_IN12_IN17_THRES2B			THRESMAP_IN12_IN17_THRES2A		
R/W-0h						R/W-0h			R/W-0h		
11	10	9	8	7	6	5	4	3	2	1	0
THRESMAP_IN11			THRESMAP_IN10			THRESMAP_IN9			THRESMAP_IN8		
R/W-0h			R/W-0h			R/W-0h			R/W-0h		

LEGEND: R/W = Read/Write; R = Read only

Table 8-55. THRESMAP_CFG1 Register Field Descriptions

Bit	Field	Type	Reset	Description
23-18	RESERVED	R	0h	Reserved
17-15	THRESMAP_IN12_IN17_THRES2B	R/W	0h	0h = THRES0 1h = THRES1 2h = THRES2 3h = THRES3 4h = THRES4 5h = THRES5 6h = THRES6 7h = THRES7
14-12	THRESMAP_IN12_IN17_THRES2A	R/W	0h	0h = THRES0 1h = THRES1 2h = THRES2 3h = THRES3 4h = THRES4 5h = THRES5 6h = THRES6 7h = THRES7
11-9	THRESMAP_IN11	R/W	0h	0h = THRES0 1h = THRES1 2h = THRES2 3h = THRES3 4h = THRES4 5h = THRES5 6h = THRES6 7h = THRES7
8-6	THRESMAP_IN10	R/W	0h	0h = THRES0 1h = THRES1 2h = THRES2 3h = THRES3 4h = THRES4 5h = THRES5 6h = THRES6 7h = THRES7

表 8-55. THRESMAP_CFG1 Register Field Descriptions (continued)

Bit	Field	Type	Reset	Description
5-3	THRESMAP_IN9	R/W	0h	0h = THRES0 1h = THRES1 2h = THRES2 3h = THRES3 4h = THRES4 5h = THRES5 6h = THRES6 7h = THRES7
2-0	THRESMAP_IN8	R/W	0h	0h = THRES0 1h = THRES1 2h = THRES2 3h = THRES3 4h = THRES4 5h = THRES5 6h = THRES6 7h = THRES7

8.6.45 THRESMAP_CFG2 Register (Offset = 30h) [Reset = 0h]

THRESMAP_CFG2 is shown in [Figure 8-68](#) and described in [Table 8-56](#).

Return to [Summary Table](#).

Figure 8-68. THRESMAP_CFG2 Register

23	22	21	20	19	18	17	16	15	14	13	12
RESERVED			THRESMAP_VS1_THRES2B			THRESMAP_VS1_THRES2A			THRESMAP_VS0_THRES2B		
R-0h			R/W-0h			R/W-0h			R/W-0h		
11	10	9	8	7	6	5	4	3	2	1	0
THRESMAP_VS0_THRES2A			THRESMAP_IN18_IN23_THRES3C			THRESMAP_IN18_IN23_THRES3B			THRESMAP_IN18_IN23_THRES3A		
R/W-0h			R/W-0h			R/W-0h			R/W-0h		

LEGEND: R/W = Read/Write; R = Read only

Table 8-56. THRESMAP_CFG2 Register Field Descriptions

Bit	Field	Type	Reset	Description
23-21	RESERVED	R	0h	Reserved
20-18	THRESMAP_VS1_THRES2B	R/W	0h	0h = THRES0 1h = THRES1 2h = THRES2 3h = THRES3 4h = THRES4 5h = THRES5 6h = THRES6 7h = THRES7
17-15	THRESMAP_VS1_THRES2A	R/W	0h	0h = THRES0 1h = THRES1 2h = THRES2 3h = THRES3 4h = THRES4 5h = THRES5 6h = THRES6 7h = THRES7
14-12	THRESMAP_VS0_THRES2B	R/W	0h	0h = THRES0 1h = THRES1 2h = THRES2 3h = THRES3 4h = THRES4 5h = THRES5 6h = THRES6 7h = THRES7
11-9	THRESMAP_VS0_THRES2A	R/W	0h	0h = THRES0 1h = THRES1 2h = THRES2 3h = THRES3 4h = THRES4 5h = THRES5 6h = THRES6 7h = THRES7

表 8-56. THRESMAP_CFG2 Register Field Descriptions (continued)

Bit	Field	Type	Reset	Description
8-6	THRESMAP_IN18_IN23_ THRES3C	R/W	0h	0h = THRES0 1h = THRES1 2h = THRES2 3h = THRES3 4h = THRES4 5h = THRES5 6h = THRES6 7h = THRES7
5-3	THRESMAP_IN18_IN23_ THRES3B	R/W	0h	0h = THRES0 1h = THRES1 2h = THRES2 3h = THRES3 4h = THRES4 5h = THRES5 6h = THRES6 7h = THRES7
2-0	THRESMAP_IN18_IN23_ THRES3A	R/W	0h	0h = THRES0 1h = THRES1 2h = THRES2 3h = THRES3 4h = THRES4 5h = THRES5 6h = THRES6 7h = THRES7

8.6.46 Matrix Register (Offset = 31h) [Reset = 0h]

Matrix is shown in [Figure 8-69](#) and described in [Table 8-57](#).

Return to [Summary Table](#).

Figure 8-69. Matrix Register

23	22	21	20	19	18	17	16	15	14	13	12
RESERVED							IN_COM_EN		THRES_COM		
R-0h							R/W-0h		R/W-0h		
11	10	9	8	7	6	5	4	3	2	1	0
THRES_COM							MATRIX		POLL_ACT_TIME_M		
R/W-0h							R/W-0h		R/W-0h		

LEGEND: R/W = Read/Write; R = Read only

Table 8-57. Matrix Register Field Descriptions

Bit	Field	Type	Reset	Description
23-17	RESERVED	R	0h	Reserved
16-15	IN_COM_EN	R/W	0h	0h = no interrupt generation for w.r.t. threshold THRES_COM 1h = interrupt generation on rising edge above threshold THRES_COM 2h = interrupt generation on falling edge below threshold THRES_COM 3h = interrupt generation on falling and rising edge of threshold THRES_COM
14-5	THRES_COM	R/W	0h	10-bits value of threshold THRES_COM: Bit5: LSB Bit14: MSB
4-3	MATRIX	R/W	0h	0h = no matrix, regular inputs only 1h = 4×4 matrix 2h = 5×5 matrix 3h = 6×6 matrix
2-0	POLL_ACT_TIME_M	R/W	0h	Polling active time setting for the matrix inputs: 0h = 64 μs 1h = 128 μs 2h = 256 μs 3h = 384 μs 4h = 512 μs 5h = 768 μs 6h = 1024 μs 7h = 1360 μs

8.6.47 Mode Register (Offset = 32h) [Reset = 0h]

Mode is shown in [图 8-70](#) and described in [表 8-58](#).

Return to [Summary Table](#).

图 8-70. Mode Register

23	22	21	20	19	18	17	16	15	14	13	12
M_IN23	M_IN22	M_IN21	M_IN20	M_IN19	M_IN18	M_IN17	M_IN16	M_IN15	M_IN14	M_IN13	M_IN12
R/W-0h	R/W-0h	R/W-0h	R/W-0h	R/W-0h	R/W-0h	R/W-0h	R/W-0h	R/W-0h	R/W-0h	R/W-0h	R/W-0h
11	10	9	8	7	6	5	4	3	2	1	0
M_IN11	M_IN10	M_IN9	M_IN8	M_IN7	M_IN6	M_IN5	M_IN4	M_IN3	M_IN2	M_IN1	M_IN0
R/W-0h	R/W-0h	R/W-0h	R/W-0h	R/W-0h	R/W-0h	R/W-0h	R/W-0h	R/W-0h	R/W-0h	R/W-0h	R/W-0h

LEGEND: R/W = Read/Write

表 8-58. Mode Register Field Descriptions

Bit	Field	Type	Reset	Description
23	M_IN23	R/W	0h	0h = comparator mode for IN23 1h = ADC mode for IN23
22	M_IN22	R/W	0h	0h = comparator mode for IN22 1h = ADC mode for IN22
21	M_IN21	R/W	0h	0h = comparator mode for IN21 1h = ADC mode for IN21
20	M_IN20	R/W	0h	0h = comparator mode for IN20 1h = ADC mode for IN20
19	M_IN19	R/W	0h	0h = comparator mode for IN19 1h = ADC mode for IN19
18	M_IN18	R/W	0h	0h = comparator mode for IN18 1h = ADC mode for IN18
17	M_IN17	R/W	0h	0h = comparator mode for IN17 1h = ADC mode for IN17
16	M_IN16	R/W	0h	0h = comparator mode for IN16 1h = ADC mode for IN16
15	M_IN15	R/W	0h	0h = comparator mode for IN15 1h = ADC mode for IN15
14	M_IN14	R/W	0h	0h = comparator mode for IN14 1h = ADC mode for IN14
13	M_IN13	R/W	0h	0h = comparator mode for IN13 1h = ADC mode for IN13
12	M_IN12	R/W	0h	0h = comparator mode for IN12 1h = ADC mode for IN12
11	M_IN11	R/W	0h	0h = comparator mode for IN11 1h = ADC mode for IN11
10	M_IN10	R/W	0h	0h = comparator mode for IN10 1h = ADC mode for IN10
9	M_IN9	R/W	0h	0h = comparator mode for IN9 1h = ADC mode for IN9
8	M_IN8	R/W	0h	0h = comparator mode for IN8 1h = ADC mode for IN8

表 8-58. Mode Register Field Descriptions (continued)

Bit	Field	Type	Reset	Description
7	M_IN7	R/W	0h	0h = comparator mode for IN7 1h = ADC mode for IN7
6	M_IN6	R/W	0h	0h = comparator mode for IN6 1h = ADC mode for IN6
5	M_IN5	R/W	0h	0h = comparator mode for IN5 1h = ADC mode for IN5
4	M_IN4	R/W	0h	0h = comparator mode for IN4 1h = ADC mode for IN4
3	M_IN3	R/W	0h	0h = comparator mode for IN3 1h = ADC mode for IN3
2	M_IN2	R/W	0h	0h = comparator mode for IN2 1h = ADC mode for IN2
1	M_IN1	R/W	0h	0h = comparator mode for IN1 1h = ADC mode for IN1
0	M_IN0	R/W	0h	0h = comparator mode for IN0 1h = ADC mode for IN0

8.7 Programming Guidelines

When configuring the TIC12400-Q1, it is critical to follow the programming guideline summarized below (see [表 8-59](#)) to ensure proper behavior of the device:

表 8-59. TIC12400-Q1 Programming Guidelines

Category	Programming requirement
Threshold setup: <ul style="list-style-type: none"> Continuous mode Regular polling mode Matrix mode (non-matrix inputs) 	<ul style="list-style-type: none"> THRES2B ≥ THRES2A (for IN12 to IN17) THRES3C ≥ THRES3B ≥ THRES3A (for IN18 to IN22) THRES9 ≥ THRES8 ≥ THRES3C ≥ THRES3B ≥ THRES3A (for IN23)
Threshold setup: <ul style="list-style-type: none"> V_S measurement 	<ul style="list-style-type: none"> VS0_THRES2B ≥ VS0_THRES2A VS1_THRES2B ≥ VS1_THRES2A
4×4 Matrix mode (MATRIX [4:3] = 2'b01)	<ul style="list-style-type: none"> POLL_EN=1 IN_EN[7:4]=4'b1111; IN_EN[13:10]= 4'b1111 MODE[7:4] = 4'b0000; MODE[13:10] = 4'b0000 CS_SELECT[7:4]= 4'b1111; CS_SELECT[13:10]= 4'b0000 IWETT(CSI) > IWETT (CSO): <ol style="list-style-type: none"> WC_CFG0[20:18] < WC_CFG0[8:6] WC_CFG0[23:21] < WC_CFG0[11:9] WC_CFG1[2:0] > WC_CFG0[14:12] If TW event is expected, CSO can only be set to 1 mA or 2 mA: <ol style="list-style-type: none"> If WC_CFG0[8:6]= 3'b001: WC_CFG0[20:18]= 3'b010, 3'b011, 3'b100, 3'b101, 3'b110, or 3'b111; If WC_CFG0[8:6]= 3'b010: WC_CFG0[20:18] = 3'b011 If WC_CFG0[11:9]= 3'b001: WC_CFG0[23:21]= 3'b010, 3'b011, 3'b100, 3'b101, 3'b110, or 3'b111; If WC_CFG0[11:9]= 3'b010: WC_CFG0[23:21] = 3'b011 If WC_CFG1[2:0]= 3'b001: WC_CFG0[14:12]= 3'b010, 3'b011, 3'b100, 3'b101, 3'b110, or 3'b111; If WC_CFG1[2:0]= 3'b010: WC_CFG0[14:12] = 3'b011

表 8-59. TIC12400-Q1 Programming Guidelines (continued)

Category	Programming requirement
5×5 Matrix mode (MATRIX [4:3] = 2'b10)	<ul style="list-style-type: none"> • POLL_EN=1 • IN_EN[8:4]= 5'b11111; IN_EN[14:10]= 5'b11111 • MODE[8:4] = 5'b00000; MODE[14:10] = 5'b00000 • CS_SELECT[8:4]= 5'b11111; CS_SELECT[14:10]= 5'b00000 • IWETT(CSI) > IWETT (CSO): <ol style="list-style-type: none"> 1. WC_CFG0[20:18] < WC_CFG0[8:6] 2. WC_CFG0[23:21] < WC_CFG0[11:9] 3. WC_CFG1[2:0] > WC_CFG0[14:12] 4. WC_CFG1[5:3] > WC_CFG0[17:15] • If TW event is expected, CSO can only be set to 1 mA or 2 mA: <ol style="list-style-type: none"> 1. If WC_CFG0[8:6]= 3'b001: WC_CFG0[20:18]= 3'b010, 3'b011, 3'b100, 3'b101, 3'b110, or 3'b111; If WC_CFG0[8:6]= 3'b010: WC_CFG0[20:18] = 3'b011 2. If WC_CFG0[11:9]= 3'b001: WC_CFG0[23:21]= 3'b010, 3'b011, 3'b100, 3'b101, 3'b110, or 3'b111; If WC_CFG0[11:9]= 3'b010: WC_CFG0[23:21] = 3'b011 3. If WC_CFG1[2:0]= 3'b001: WC_CFG0[14:12]= 3'b010, 3'b011, 3'b100, 3'b101, 3'b110, or 3'b111; If WC_CFG1[2:0]= 3'b010: WC_CFG0[14:12] = 3'b011 4. If WC_CFG1[5:3]= 3'b001: WC_CFG0[17:15]= 3'b010, 3'b011, 3'b100, 3'b101, 3'b110, or 3'b111; If WC_CFG1[5:3]= 3'b010: WC_CFG0[17:15] = 3'b011
6×6 Matrix mode (MATRIX [4:3]= 2'b11)	<ul style="list-style-type: none"> • POLL_EN=1 • IN_EN[9:4]= 6'b111111; IN_EN[15:10]= 6'b111111 • MODE[9:4] = 6'b000000; MODE[15:10] = 6'b000000 • CS_SELECT[9:4]= 6'b111111; CS_SELECT[15:10]= 6'b000000 • IWETT(CSI) > IWETT (CSO): <ol style="list-style-type: none"> 1. WC_CFG0[20:18] < WC_CFG0[8:6] 2. WC_CFG0[23:21] < WC_CFG0[11:9] 3. WC_CFG1[2:0] > WC_CFG0[14:12] 4. WC_CFG1[5:3] > WC_CFG0[17:15] • If TW event is expected, CSO can only be set to 1 mA or 2 mA: <ol style="list-style-type: none"> 1. If WC_CFG0[8:6]= 3'b001: WC_CFG0[20:18]= 3'b010, 3'b011, 3'b100, 3'b101, 3'b110, or 3'b111; If WC_CFG0[8:6]= 3'b010: WC_CFG0[20:18] = 3'b011 2. If WC_CFG0[11:9]= 3'b001: WC_CFG0[23:21]= 3'b010, 3'b011, 3'b100, 3'b101, 3'b110, or 3'b111; If WC_CFG0[11:9]= 3'b010: WC_CFG0[23:21] = 3'b011 3. If WC_CFG1[2:0]= 3'b001: WC_CFG0[14:12]= 3'b010, 3'b011, 3'b100, 3'b101, 3'b110, or 3'b111; If WC_CFG1[2:0]= 3'b010: WC_CFG0[14:12] = 3'b011 4. If WC_CFG1[5:3]= 3'b001: WC_CFG0[17:15]= 3'b010, 3'b011, 3'b100, 3'b101, 3'b110, or 3'b111; If WC_CFG1[5:3]= 3'b010: WC_CFG0[17:15] = 3'b011
Clean Current Polling (if CCP_INx= 1 in the CCP_CFG1 register)	At least one input (standard or matrix) or the VS measurement has to be enabled: IN_EN_x= 1 in the IN_EN register or CONFIG [16]= 1'b1 ⁽¹⁾
Wetting current auto-scaling (if WC_CFG1 [22:21] != 2'b11)	<ul style="list-style-type: none"> • The wetting current auto-scaling feature is only activated in the continuous mode: POLL_EN= 0⁽²⁾ • The wetting current auto-scaling only applies to 10 mA or 15 mA wetting currents: WC_INx bits = 3'b100, 3'b101, 3'b110, or 3'b111 in the WC_CFG0 and WC_CFG1 registers.⁽²⁾
Wetting current diagnostic (If CONFIG [21:18] != 4b'0000)	<ul style="list-style-type: none"> • At least one channel has to be enabled from IN0 to IN3 (IN_EN[3:0] != 4b'0000) • Inputs IN0 to IN3 need to be configured to ADC input mode: MODE[3:0] = 4'b1111 • Inputs IN0 and IN1 need to be configured to CSO: CS SELECT [1:0]= 2b'00 • Inputs IN2 and IN3 need to be configured to CSI: CS SELECT [3:2]= 2b'11

表 8-59. TIC12400-Q1 Programming Guidelines (continued)

Category	Programming requirement
<ul style="list-style-type: none"> • Continuous mode • Standard polling mode 	<p>t_{POLL_TIME} and $t_{POLL_ACT_TIME}$ settings have to meet the below requirement: $t_{POLL_TIME} \geq 1.3 \times [t_{POLL_ACT_TIME} + n \times 24 \mu s + 10 \mu s]$^{(3) (4)}</p> <ul style="list-style-type: none"> • n: the number of enabled channels configured in register IN_EN • t_{POLL_TIME}: timing setting configured in CONFIG[4:1] • $t_{POLL_ACT_TIME}$: timing setting configured in CONFIG[8:5]
<p>Matrix polling mode</p>	<p>t_{POLL_TIME}, $t_{POLL_ACT_TIME}$, and $t_{POLL_ACT_TIME_M}$ settings have to meet the below requirement: $t_{POLL_TIME} > 1.3 \times [m \times t_{POLL_ACT_TIME_M} + t_{POLL_ACT_TIME} + n \times 24 \mu s + 10 \mu s]$^{(3) (4)}</p> <ul style="list-style-type: none"> • n: the number of enabled channels configured in register IN_EN • m: 16 for 4×4 matrix; 25 for 5×5 matrix; 36 for 6×6 matrix • t_{POLL_TIME}: timing setting configured in CONFIG[4:1] • $t_{POLL_ACT_TIME_M}$: timing setting configured in MATRIX[2:0] • $t_{POLL_ACT_TIME}$: timing setting configured in CONFIG[8:5]

- (1) This is a soft requirement to take advantage of the clean current polling feature. The feature takes no effect otherwise.
(2) These are soft requirements to take advantage of the wetting current auto-scaling feature. The feature takes no effect otherwise.
(3) If WCD is enabled, add additional 96 μs
(4) If CCP is enabled, add $t_{CCP_TRAN} + t_{CCP_TIME}$, where t_{CCP_TIME} is the timing setting configured in CCP_CFG0[6:4]

9 Application Information Disclaimer

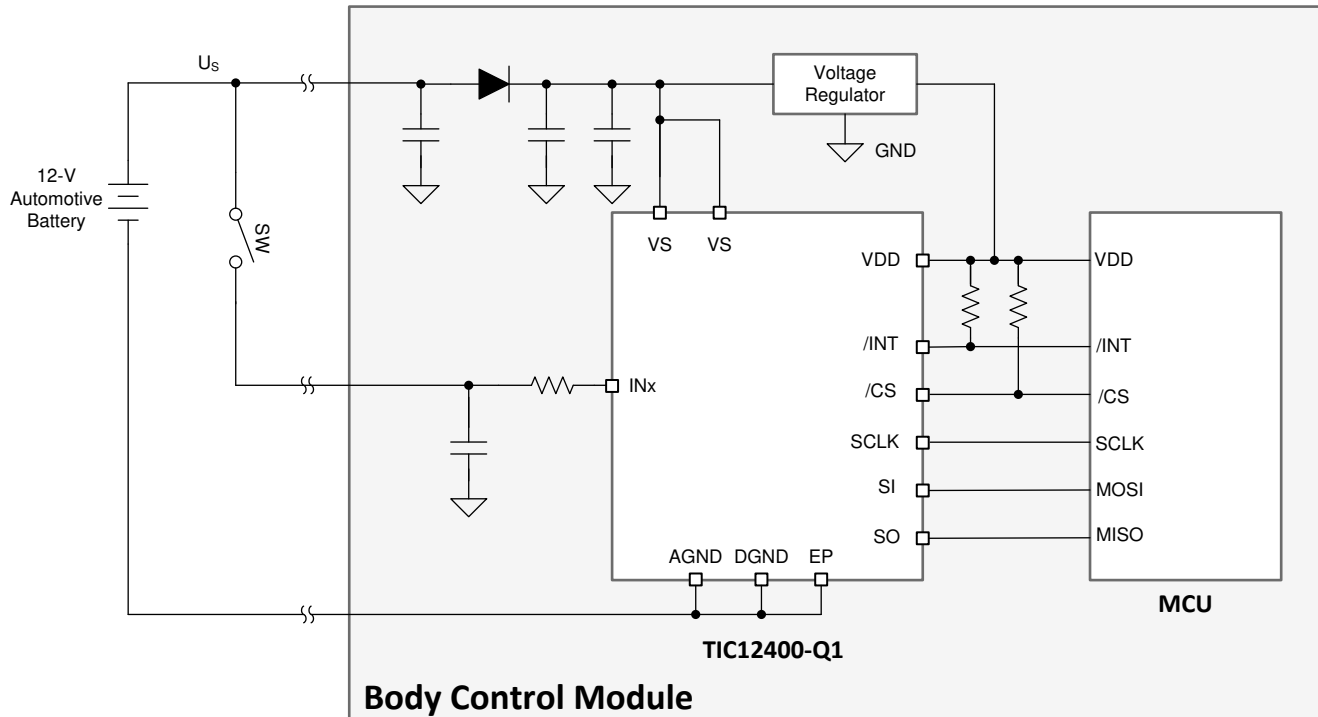
Note

Information in the following applications sections is not part of the TI component specification, and TI does not warrant its accuracy or completeness. TI's customers are responsible for determining suitability of components for their purposes, as well as validating and testing their design implementation to confirm system functionality.

9.1 Application Information

The TIC12400-Q1 is an advanced 24-input Multiple Switch Detection Interface (MSDI) device designed to detect external mechanical switch status in a 12-V automotive system by acting as an interface between the switches and the low-voltage microcontroller. The device offers a number of unique features to replace systems implemented with discrete components, saving board space and reducing the bill of materials (BOM). The device can also be configured into low-power polling mode, which provides significant savings on system power consumption.

9.2 Using TIC12400-Q1 in a 12 V Automotive System



Copyright © 2016, Texas Instruments Incorporated

9-1. Typical System Diagram of Battery Connections for TIC12400-Q1

The TIC12400-Q1 is designed to operate with a 12 V automotive system. [9-1](#) depicts a typical system diagram to show how the device is connected to the battery. Remember to be careful when connecting the battery directly to the device on the V_S supply pin (through a reverse-blocking diode) or the input (IN_x) pins since an automotive battery can be subjected to various transient and over-voltage events. Manufacturers have independently created standards and test procedures in an effort to prevent sensitive electronics from failing due to these events. Recently, combined efforts are made with ISO to develop the ISO 16750-2 standard (Road vehicles — Environmental conditions and testing for electrical and electronic equipment — Part 2: Electrical loads), which describe the possible transients that could occur to an automotive battery and specify test methods to simulate them.

It shall be noted that the TIC12400-Q1 is designed and tested according to the ISO 16750-2 standard. A few voltage stress tests and their test conditions are listed below. Exposing the device to more severe transient events than described by the standard could potentially causes performance degradation and long-term damage to the device.

- Direct current supply voltage: $V_{BAT, min} = 6\text{ V}$; $V_{BAT, max} = 16\text{ V}$
- To emulate a jump start event, voltage profile described in 图 9-2 is used.

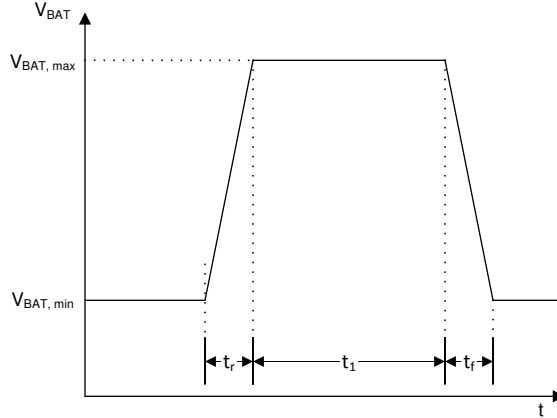


图 9-2. Voltage Profile to Test a Jump Start Event

表 9-1. Voltage Profile Parameters to Test a Jump Start Event

Parameter	Value
$V_{BAT, min}$	10.8 V
$V_{BAT, max}$	24 V
t_r	< 10 ms
t_1	60 s \pm 6 s
t_f	< 10 ms
Number of cycles	1

- To emulate a load dump event for an alternator with centralized load dump suppression, voltage profile described below is used. U_A and U_S^* are applied directly to V_{BAT} .

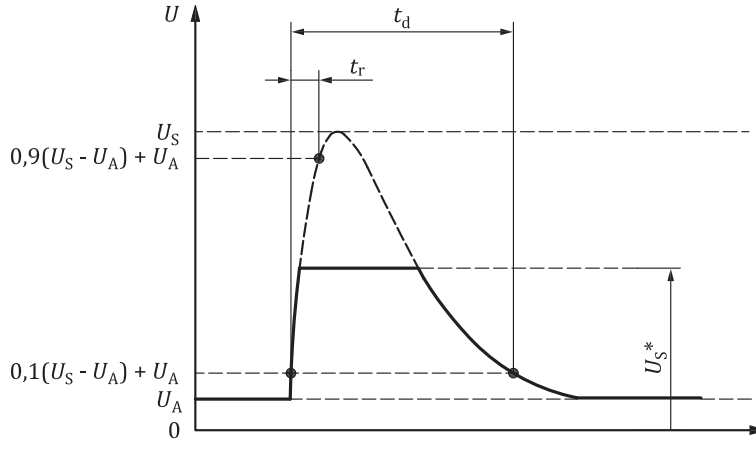
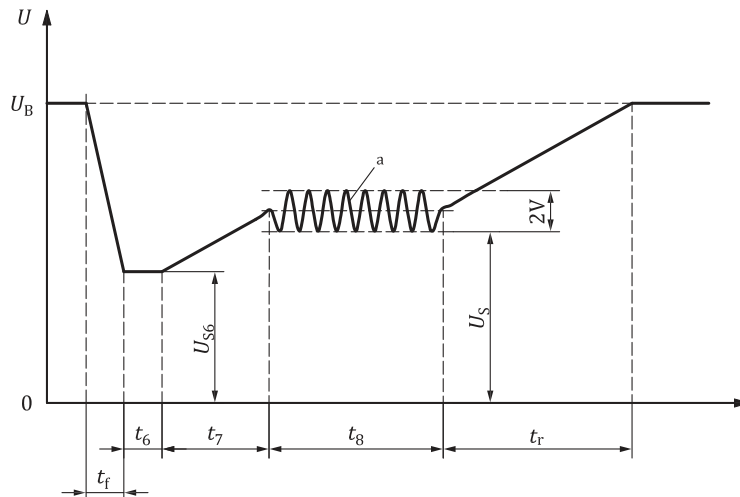


图 9-3. Voltage Profile to Test a Load Dump Event with Centralized Load Dump Suppression

表 9-2. Voltage Profile Used to Test a Load Dump Event With Centralized Load Dump Suppression

Parameter	Value
U_A	13.5 V
U_S	$79 \text{ V} \leq U_S \leq 101$
U_{S^*}	35 V
t_d	$40 \text{ ms} \leq t_d \leq 400 \text{ ms}$
t_r	< 10 ms
Number of cycles	5 pulses at intervals of 1 min

- To emulate a cranking event, voltage profile describe below is used. U_S , U_{S6} , and U_A are applied directly to V_{BAT} .

**图 9-4. Voltage Profile to Test a Cranking Event****表 9-3. Voltage Profile Used to Test a Cranking Event**

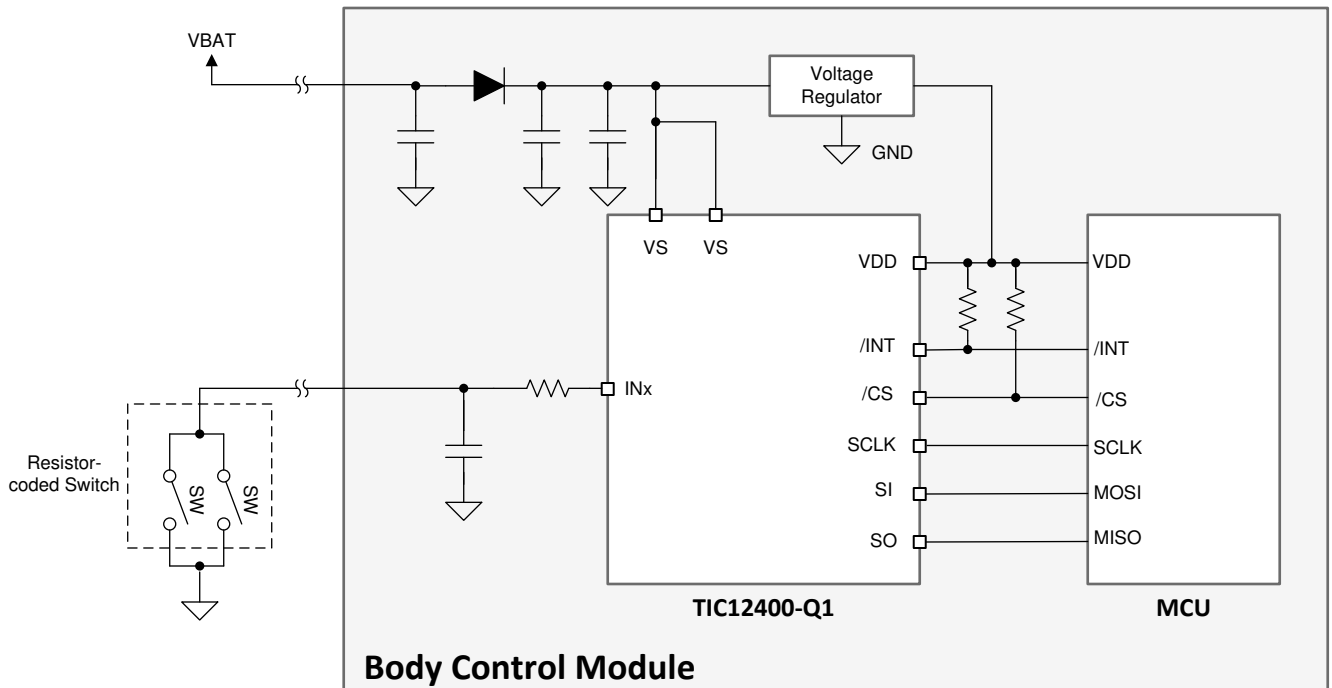
Parameter	Value - Level I	Value - Level II	Value - Level IV
U_{S6}	8 V	4.5 V	6 V
U_S	9.5 V	6.5 V	6.5 V
U_B	$14 \text{ V} \pm 0.2 \text{ V}$	$14 \text{ V} \pm 0.2 \text{ V}$	$14 \text{ V} \pm 0.2 \text{ V}$
t_f	$5 \text{ ms} \pm 0.5 \text{ ms}$	$5 \text{ ms} \pm 0.5 \text{ ms}$	$5 \text{ ms} \pm 0.5 \text{ ms}$
t_6	$15 \text{ ms} \pm 1.5 \text{ ms}$	$15 \text{ ms} \pm 1.5 \text{ ms}$	$15 \text{ ms} \pm 1.5 \text{ ms}$
t_7	$50 \text{ ms} \pm 5 \text{ ms}$	$50 \text{ ms} \pm 5 \text{ ms}$	$50 \text{ ms} \pm 5 \text{ ms}$
t_8	$1000 \text{ ms} \pm 100 \text{ ms}$	$10000 \text{ ms} \pm 1000 \text{ ms}$	$10000 \text{ ms} \pm 1000 \text{ ms}$
t_r	$40 \text{ ms} \pm 4 \text{ ms}$	$100 \text{ ms} \pm 10 \text{ ms}$	$100 \text{ ms} \pm 10 \text{ ms}$

9.3 Resistor-coded Switches Detection in Automotive Body Control Module

The body control module (BCM) is an electronic control unit responsible for monitoring and controlling various electronic accessories in a vehicle's body. Detection of various mechanical switches status in a vehicle is one important task handled by the BCM. Besides the typical on-and-off (or digital) type of switch, more sophisticated type of switches, called resistor-coded switches, can also be present in an automotive body control system.

Resistor-coded switches have more than 2 unique switch states, and are often used for implementation of wiper, illumination, and signal control arms in a vehicle. Due to various voltage potentials generated by different positions of a resistor-coded switch, an ADC, typically inside the microcontroller, is used to detect the different

states of the switch. The TIC12400-Q1 can natively support monitoring of a resistor-coded switch with its integrated 10-bit ADC and configurable thresholds. The following application diagram depicts how the TIC12400-Q1 is used in a BCM to detect external mechanical resistor-coded switches and a detailed design example is shown in the following sections.



Copyright © 2016, Texas Instruments Incorporated

图 9-5. Using TIC12400-Q1 to Monitor a Resistor-Coded Switch in Body Control Module Application

9.3.1 Design Requirements

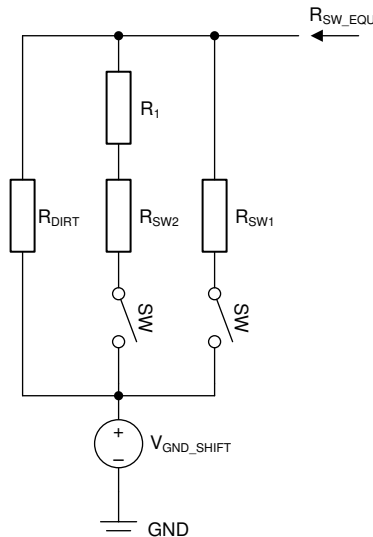


图 9-6. Example 3-state Resistor-Coded Switch

表 9-4. Example Resistor-Coded Switch Specification

	SPECIFICATION	MIN	MAX
V_{BAT}	$9\text{ V} \leq V_{BAT} \leq 16\text{ V}$	9 V	16 V
R_1	$680\ \Omega \pm 8\%$	625.6 Ω	734.4 Ω

表 9-4. Example Resistor-Coded Switch Specification (continued)

	SPECIFICATION	MIN	MAX
R_{SW1}	50 Ω Max when closed	0 Ω	50 Ω
R_{SW2}	50 Ω Max when closed	0 Ω	50 Ω
R_{DIRT}	5000 Ω Min	5000 Ω	∞
V_{GND_SHIFT}	± 1 V	-1 Ω	+1 Ω

An example of a 3-state resistor-coded switch is shown in 図 9-6, with 表 9-4 summarizing its detailed specification. The goal of this design is to utilize the TIC12400-Q1's integrated ADC to detect and differentiate the 3 switch states:

1. State 1: Both SW1 and SW2 open.
2. State 2: SW1 open and SW2 close.
3. State 3: SW1 close and SW2 open.

To mimic real automotive systems, the battery is assumed to be fluctuating between 9 V and 16 V. R_{DIRT} is introduced to model the small leakage flowing across the switch in open state. There is also a ± 1 V ground shift present in the system, meaning there could be up to ± 1 V of potential difference between the switch reference point and the ground reference of the TIC12400-Q1. When the switch changes position and the switch state changes from one to another, the TIC12400-Q1 is required to correctly detect the state transition and issue an interrupt to alert the microcontroller. The switch information needs to be stored in the status registers for the microcontroller to retrieve.

9.3.2 Detailed Design Procedure

表 9-5. Detailed Design Procedure

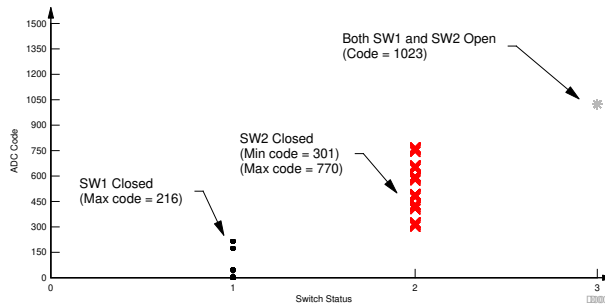
	STEP 1		STEP 2		STEP 3		STEP 4		STEP 5
	Equivalent Resistance Value (Ω)		V_{INX} (V)		$V_{INX} + V_{GND_SHIFT}$ (V)		ADC Code Spread		Threshold
	MIN	MAX	MIN	MAX	MIN	MAX	MIN	MAX	
State 1: Both SW1 and SW2 open	5000	∞	> 6 V	-	>6 V	-	1023	-	
State 2: SW1 open and SW2 closed	555.95	678.03	2.502	3.729	1.502	4.729	256	806	915
State 3: SW1 closed and SW2 open	0	49.5	0	0.272	0	1.272	0	217	237

use the following procedures to calculate thresholds to program to the TIC12400-Q1 for proper switch detection:

1. Calculate the equivalent resistance values at different switch states, taking into account R_{DIRT} and the 8% resistance variation.
2. Estimate the voltage established when wetting current flows through the switch by utilizing the relationship $V_{INX} = R_{SW_EQU} \times I_{WETT_ACT}$, where R_{SW_EQU} is the equivalent switch resistance value and I_{WETT_ACT} is the actual wetting current flowing through the switch. The 5 mA wetting current setting is selected in this design, because it best uses the dynamic range of the ADC (from 0 to 6 V). The wetting current, however, can vary depending on manufacturing process variation and operating temperature, and needs to be taken into account. Referring to the electrical table of the TIC12400-Q1 and assuming enough headroom for the current source (CSO) to operate, the 5 mA wetting current setting produces current ranging between 4.5 mA and 5.5 mA (for $V_S - IN_X \geq 3$ V condition). The voltage established on the TIC12400-Q1 input pin (V_{INX}) can be calculated accordingly.
3. Take the ground shift non-ideality into account. As defined in [セクション 9.3.1](#), the ground shift can vary between ± 1 V. Therefore, effectively, the actual voltage seen at the TIC12400-Q1 can also vary up to ± 1 V.
4. Convert the voltage established on the INx pin into equivalent ADC code. The full-scale range of the 10-bit ADC is from 0 V to 6 V, with 6 V corresponding to the max code of 1023. Therefore, the ADC code spread for each of the 3 different switch states can be calculated accordingly.

5. After the ADC code spread for each switch state is calculated, the detection threshold can be chosen to be the mid-point between the upper and lower codes of two neighboring states to give best margin for detection.

9.3.3 Application Curves



9-7. Measured ADC Code Distribution for the 3 Switch States

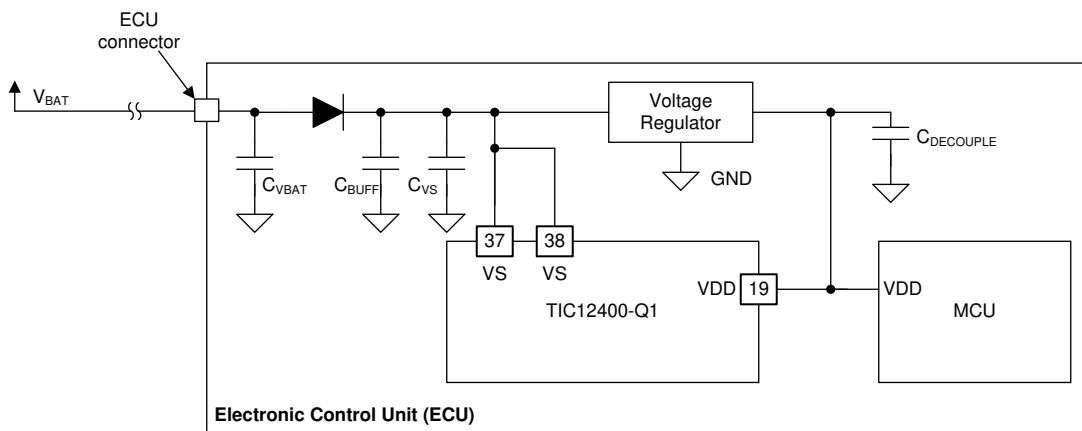
10 Power Supply Recommendations

There are two supply input pins for the TIC12400-Q1: V_S and V_{DD} . V_S is the main power supply for the entire chip and is essential for all critical functions of the device. The V_S supply is designed to be connected to a 12-V automotive battery (through a reverse blocking diode) with nominal operating voltage no greater than 16 V. The V_{DD} supply is used to determine the logic level on the SPI communication interface, source the current for the SO driver, and sets the pull-up voltage for the $/CS$ pin. It can also be used as a possible external pull-up supply for the $/INT$ pin as an alternative to the V_S supply and it shall be connected to a 3 V to 5.5 V logic supply. Removing V_{DD} from the device disables SPI communications, but does not impact normal operation of the device.

To improve stability of the supply inputs, some decoupling capacitors are recommended on the PCB. [Figure 10-1](#) shows an example on the on-board power supply decoupling scheme. The battery voltage (V_{BAT}) is decoupled on the Electronic Control Unit (ECU) board using a large decoupling capacitor (C_{BUFF}). The diode is installed to prevent damage to the internal system under reversed battery condition. C_{VS} shall be installed close to the TIC12400-Q1 for best decoupling performance. The voltage regulator provides a regulated voltage for the digital portion of the device and for the local microcontroller and its output is decoupled with $C_{DECOUPLE}$. [Table 10-1](#) lists recommended values for each individual decoupling capacitor shown in the system diagram.

表 10-1. Decoupling Capacitor Recommendations

CRC RULE	VALUE
C_{BUFF}	100 μ F, 50 V rated, $\pm 20\%$
C_{VBAT}	100 nF, 50V rated, $\pm 10\%$; X7R
C_{VS}	100 nF, 50 V rated
$C_{DECOUPLE}$	100 nF \approx 1 μ F




Copyright © 2016, Texas Instruments Incorporated

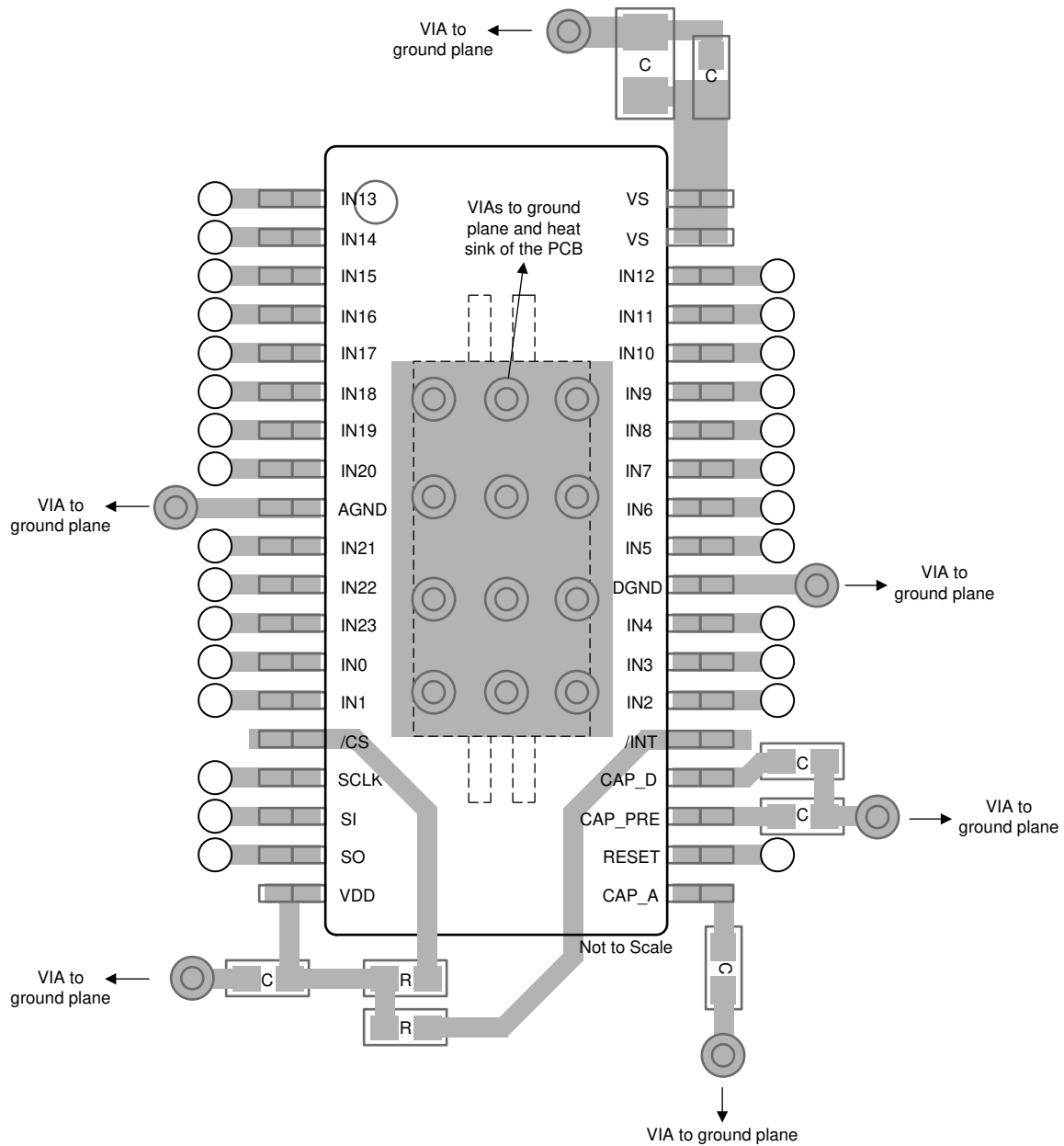
Figure 10-1. Recommended Power Supply Decoupling

11 Layout

11.1 Layout Guidelines

1.  11-1 illustrates an example of a PCB layout with the TIC12400-Q1. Some key considerations are:
2. Decouple the V_S and V_{DD} pins with capacitor using recommended values from section [Power Supply Recommendations](#) and place them as close to the pin as possible. Make sure that the capacitor voltage rating is sufficient for the V_S and V_{DD} supplies.
3. Keep the input lines as short as possible.
4. Use a solid ground plane to help distribute heat and reduce electromagnetic interference (EMI) noise pickup.
5. Do not run sensitive analog traces in parallel with digital traces. Avoid crossing digital and analog traces if possible, and only make perpendicular crossings when necessary.
6. To achieve good thermal performance, the exposed thermal pad underneath the device must be soldered to the board and flooded with vias to ground planes. For simple double-sided PCBs where there are no internal layers, the surface layers can be used to remove heat. For multilayer PCBs, internal ground planes can be used for heat removal.
7. Minimize the inductive parasitic between the INx input capacitors and the thermal pad ground return.

11.2 Layout Example



11-1. Example Layout

12 Device and Documentation Support

12.1 Receiving Notification of Documentation Updates

To receive notification of documentation updates, navigate to the device product folder on [ti.com](https://www.ti.com). Click on *Subscribe to updates* to register and receive a weekly digest of any product information that has changed. For change details, review the revision history included in any revised document.

12.2 サポート・リソース

[TI E2E™ サポート・フォーラム](#)は、エンジニアが検証済みの回答と設計に関するヒントをエキスパートから迅速かつ直接得ることができる場所です。既存の回答を検索したり、独自の質問をしたりすることで、設計に必要な支援を迅速に得ることができます。

リンクされているコンテンツは、該当する貢献者により、現状のまま提供されるものです。これらは TI の仕様を構成するものではなく、必ずしも TI の見解を反映したものではありません。TI の[使用条件](#)を参照してください。

12.3 Trademarks

TI E2E™ is a trademark of Texas Instruments.

すべての商標は、それぞれの所有者に帰属します。

12.4 Electrostatic Discharge Caution



This integrated circuit can be damaged by ESD. Texas Instruments recommends that all integrated circuits be handled with appropriate precautions. Failure to observe proper handling and installation procedures can cause damage.

ESD damage can range from subtle performance degradation to complete device failure. Precision integrated circuits may be more susceptible to damage because very small parametric changes could cause the device not to meet its published specifications.

12.5 Glossary

[TI Glossary](#) This glossary lists and explains terms, acronyms, and definitions.

13 Mechanical, Packaging, and Orderable Information

The following pages include mechanical, packaging, and orderable information. This information is the most current data available for the designated devices. This data is subject to change without notice and revision of this document. For browser-based versions of this data sheet, refer to the left-hand navigation.

PACKAGING INFORMATION

Orderable Device	Status (1)	Package Type	Package Drawing	Pins	Package Qty	Eco Plan (2)	Lead finish/ Ball material (6)	MSL Peak Temp (3)	Op Temp (°C)	Device Marking (4/5)	Samples
TIC12400QDCPRQ1	ACTIVE	HTSSOP	DCP	38	2000	RoHS & Green	NIPDAU	Level-3-260C-168 HR	-40 to 125	TIC12400Q	Samples

(1) The marketing status values are defined as follows:

ACTIVE: Product device recommended for new designs.

LIFEBUY: TI has announced that the device will be discontinued, and a lifetime-buy period is in effect.

NRND: Not recommended for new designs. Device is in production to support existing customers, but TI does not recommend using this part in a new design.

PREVIEW: Device has been announced but is not in production. Samples may or may not be available.

OBSOLETE: TI has discontinued the production of the device.

(2) **RoHS:** TI defines "RoHS" to mean semiconductor products that are compliant with the current EU RoHS requirements for all 10 RoHS substances, including the requirement that RoHS substance do not exceed 0.1% by weight in homogeneous materials. Where designed to be soldered at high temperatures, "RoHS" products are suitable for use in specified lead-free processes. TI may reference these types of products as "Pb-Free".

RoHS Exempt: TI defines "RoHS Exempt" to mean products that contain lead but are compliant with EU RoHS pursuant to a specific EU RoHS exemption.

Green: TI defines "Green" to mean the content of Chlorine (Cl) and Bromine (Br) based flame retardants meet JS709B low halogen requirements of <=1000ppm threshold. Antimony trioxide based flame retardants must also meet the <=1000ppm threshold requirement.

(3) MSL, Peak Temp. - The Moisture Sensitivity Level rating according to the JEDEC industry standard classifications, and peak solder temperature.

(4) There may be additional marking, which relates to the logo, the lot trace code information, or the environmental category on the device.

(5) Multiple Device Markings will be inside parentheses. Only one Device Marking contained in parentheses and separated by a "-" will appear on a device. If a line is indented then it is a continuation of the previous line and the two combined represent the entire Device Marking for that device.

(6) Lead finish/Ball material - Orderable Devices may have multiple material finish options. Finish options are separated by a vertical ruled line. Lead finish/Ball material values may wrap to two lines if the finish value exceeds the maximum column width.

Important Information and Disclaimer: The information provided on this page represents TI's knowledge and belief as of the date that it is provided. TI bases its knowledge and belief on information provided by third parties, and makes no representation or warranty as to the accuracy of such information. Efforts are underway to better integrate information from third parties. TI has taken and continues to take reasonable steps to provide representative and accurate information but may not have conducted destructive testing or chemical analysis on incoming materials and chemicals. TI and TI suppliers consider certain information to be proprietary, and thus CAS numbers and other limited information may not be available for release.

In no event shall TI's liability arising out of such information exceed the total purchase price of the TI part(s) at issue in this document sold by TI to Customer on an annual basis.

OTHER QUALIFIED VERSIONS OF TIC12400-Q1 :

- Catalog : [TIC12400](#)

NOTE: Qualified Version Definitions:

- Catalog - TI's standard catalog product

TAPE AND REEL INFORMATION

QUADRANT ASSIGNMENTS FOR PIN 1 ORIENTATION IN TAPE


*All dimensions are nominal

Device	Package Type	Package Drawing	Pins	SPQ	Reel Diameter (mm)	Reel Width W1 (mm)	A0 (mm)	B0 (mm)	K0 (mm)	P1 (mm)	W (mm)	Pin1 Quadrant
TIC12400QDCPRQ1	HTSSOP	DCP	38	2000	330.0	16.4	6.9	10.2	1.8	12.0	16.0	Q1

TAPE AND REEL BOX DIMENSIONS


*All dimensions are nominal

Device	Package Type	Package Drawing	Pins	SPQ	Length (mm)	Width (mm)	Height (mm)
TIC12400QDCPRQ1	HTSSOP	DCP	38	2000	350.0	350.0	43.0

GENERIC PACKAGE VIEW

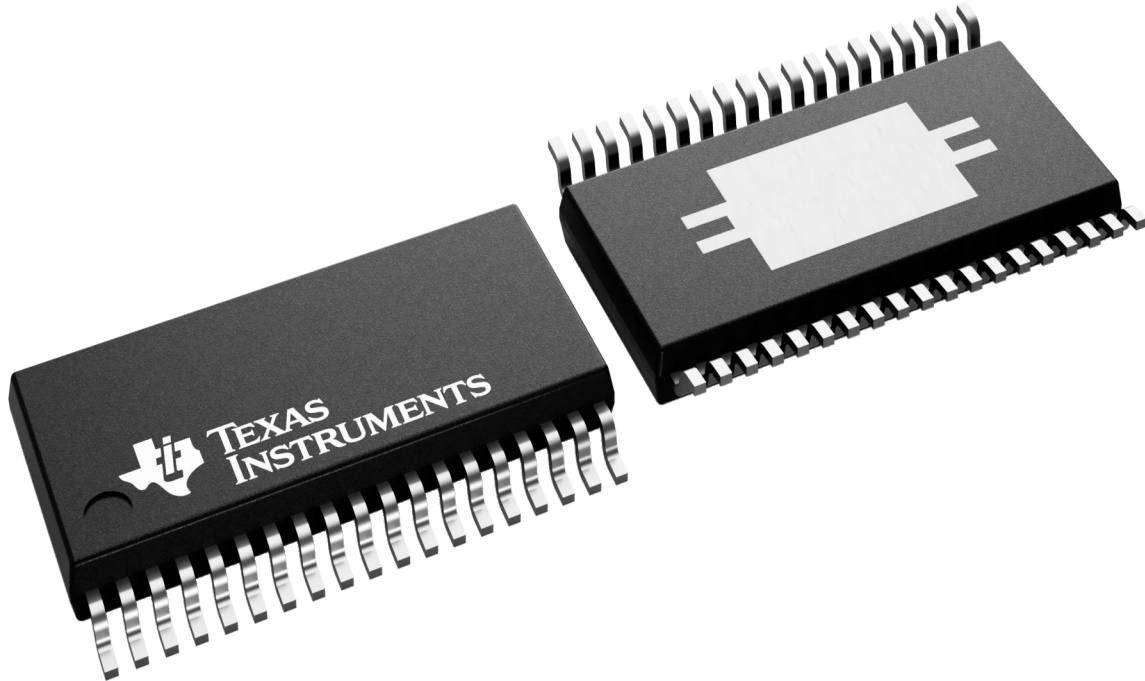
DCP 38

PowerPAD TSSOP - 1.2 mm max height

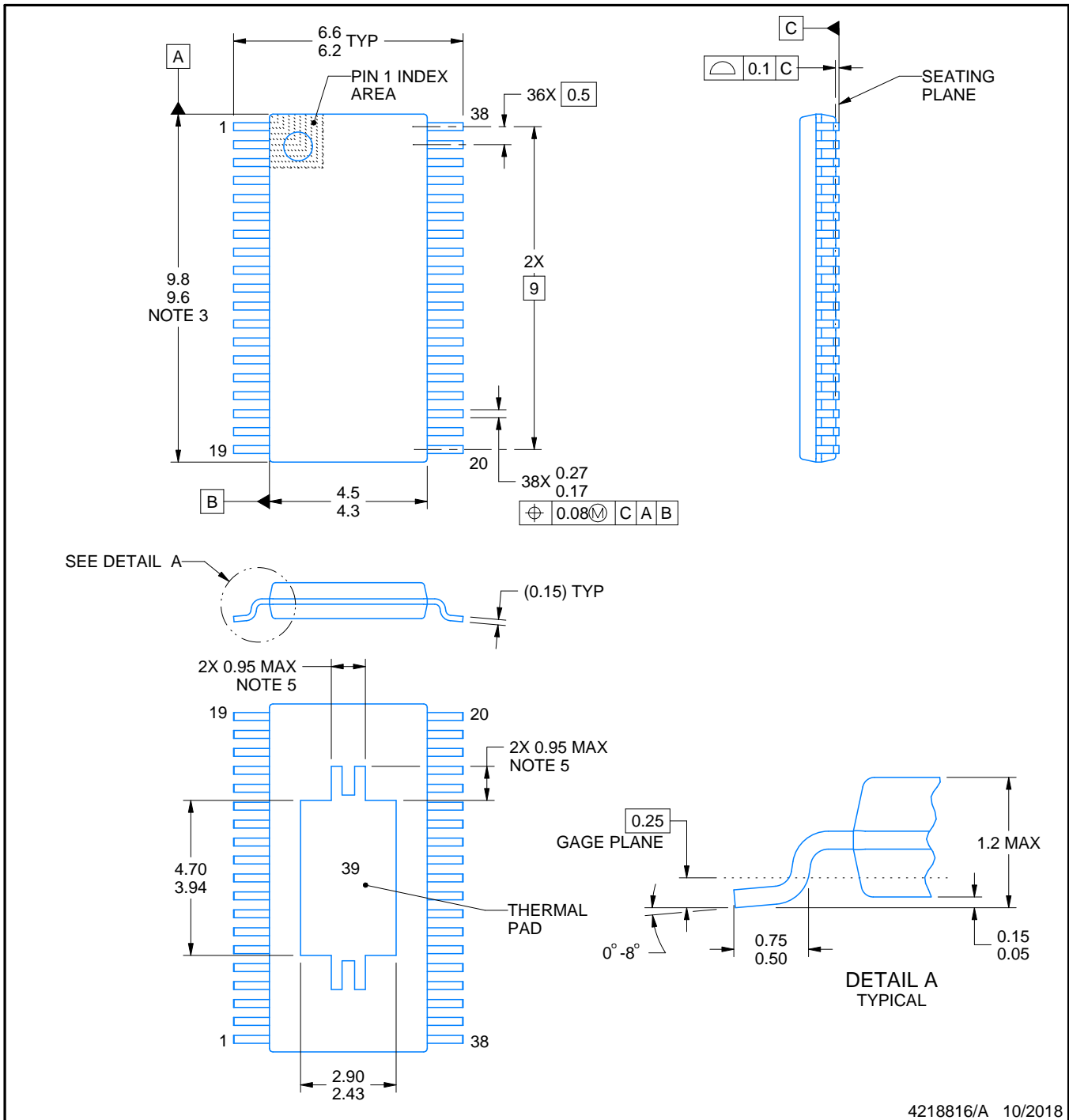
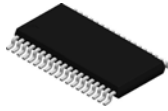
4.4 x 9.7, 0.5 mm pitch

SMALL OUTLINE PACKAGE

This image is a representation of the package family, actual package may vary.
Refer to the product data sheet for package details.



4224560/B



4218816/A 10/2018

NOTES:

PowerPAD is a trademark of Texas Instruments.

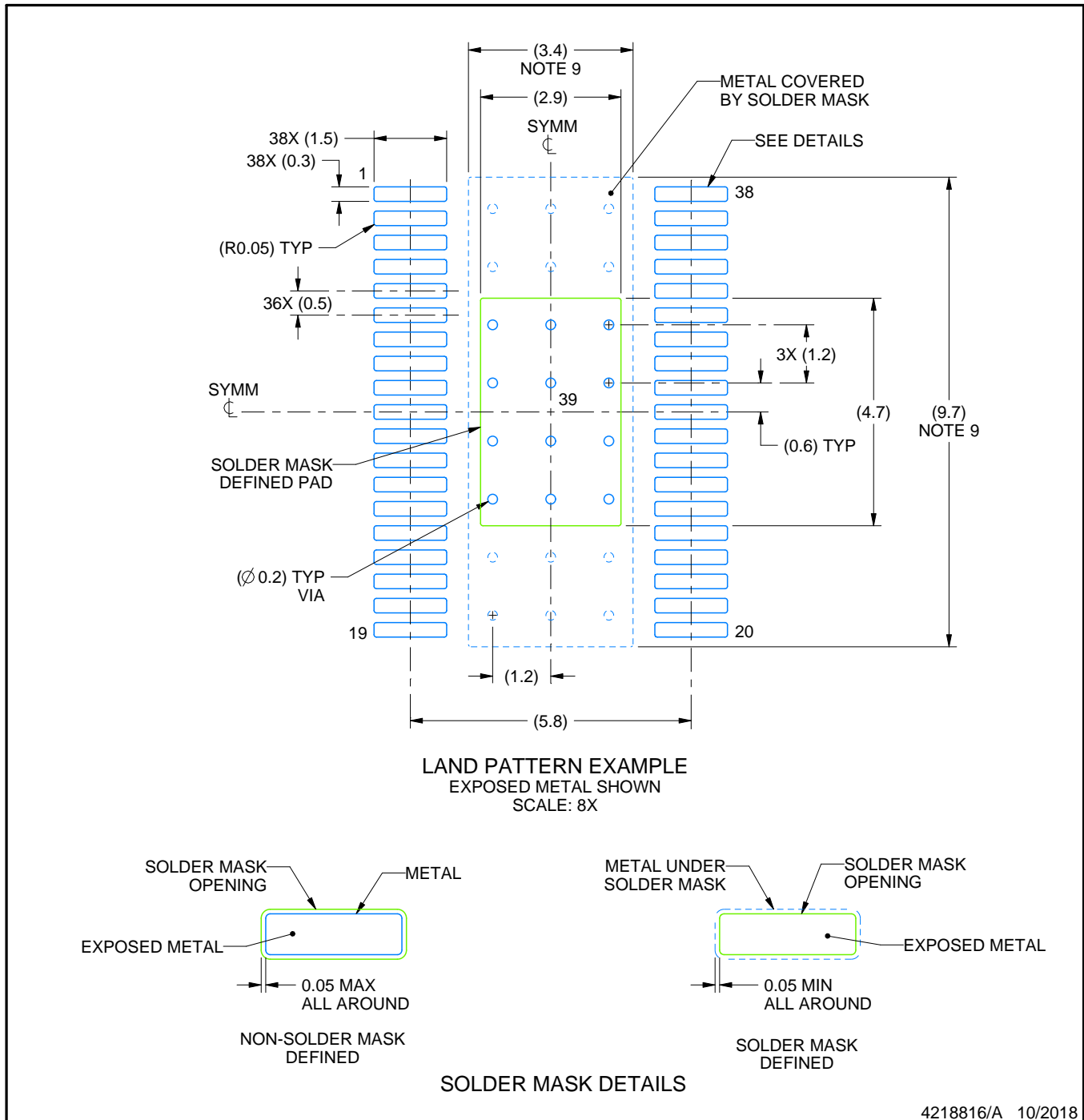
1. All linear dimensions are in millimeters. Any dimensions in parenthesis are for reference only. Dimensioning and tolerancing per ASME Y14.5M.
2. This drawing is subject to change without notice.
3. This dimension does not include mold flash, protrusions, or gate burrs. Mold flash, protrusions, or gate burrs shall not exceed 0.15 mm per side.
4. Reference JEDEC registration MO-153.
5. Features may differ or may not be present.

EXAMPLE BOARD LAYOUT

DCP0038A

PowerPAD™ TSSOP - 1.2 mm max height

SMALL OUTLINE PACKAGE



4218816/A 10/2018

NOTES: (continued)

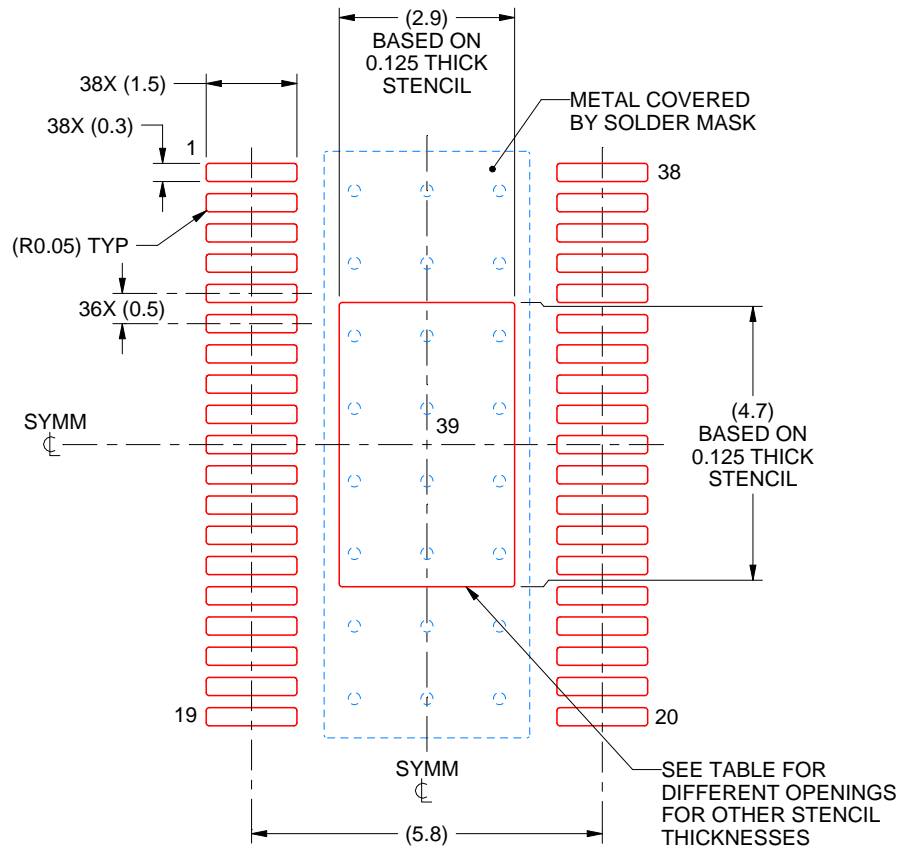
6. Publication IPC-7351 may have alternate designs.
7. Solder mask tolerances between and around signal pads can vary based on board fabrication site.
8. This package is designed to be soldered to a thermal pad on the board. For more information, see Texas Instruments literature numbers SLMA002 (www.ti.com/lit/slma002) and SLMA004 (www.ti.com/lit/slma004).
9. Size of metal pad may vary due to creepage requirement.
10. Vias are optional depending on application, refer to device data sheet. It is recommended that vias under paste be filled, plugged or tented.

EXAMPLE STENCIL DESIGN

DCP0038A

PowerPAD™ TSSOP - 1.2 mm max height

SMALL OUTLINE PACKAGE



SOLDER PASTE EXAMPLE
 BASED ON 0.125 mm THICK STENCIL
 SCALE: 8X

STENCIL THICKNESS	SOLDER STENCIL OPENING
0.1	3.24 X 5.25
0.125	2.90 X 4.70 (SHOWN)
0.15	2.65 X 4.29
0.175	2.45 X 3.97

4218816/A 10/2018

NOTES: (continued)

11. Laser cutting apertures with trapezoidal walls and rounded corners may offer better paste release. IPC-7525 may have alternate design recommendations.
12. Board assembly site may have different recommendations for stencil design.

重要なお知らせと免責事項

TI は、技術データと信頼性データ (データシートを含みます)、設計リソース (リファレンス・デザインを含みます)、アプリケーションや設計に関する各種アドバイス、Web ツール、安全性情報、その他のリソースを、欠陥が存在する可能性のある「現状のまま」提供しており、商品性および特定目的に対する適合性の黙示保証、第三者の知的財産権の非侵害保証を含むいかなる保証も、明示的または黙示的にかかわらず拒否します。

これらのリソースは、TI 製品を使用する設計の経験を積んだ開発者への提供を意図したものです。(1) お客様のアプリケーションに適した TI 製品の選定、(2) お客様のアプリケーションの設計、検証、試験、(3) お客様のアプリケーションに該当する各種規格や、その他のあらゆる安全性、セキュリティ、規制、または他の要件への確実な適合に関する責任を、お客様のみが単独で負うものとし、

上記の各種リソースは、予告なく変更される可能性があります。これらのリソースは、リソースで説明されている TI 製品を使用するアプリケーションの開発の目的でのみ、TI はその使用をお客様に許諾します。これらのリソースに関して、他の目的で複製することや掲載することは禁止されています。TI や第三者の知的財産権のライセンスが付与されている訳ではありません。お客様は、これらのリソースを自身で使用した結果発生するあらゆる申し立て、損害、費用、損失、責任について、TI およびその代理人を完全に補償するものとし、TI は一切の責任を拒否します。

TI の製品は、[TI の販売条件](#)、または [ti.com](https://www.ti.com) やかかる TI 製品の関連資料などのいずれかを通じて提供する適用可能な条項の下で提供されています。TI がこれらのリソースを提供することは、適用される TI の保証または他の保証の放棄の拡大や変更を意味するものではありません。

お客様がいかなる追加条項または代替条項を提案した場合でも、TI はそれらに異議を唱え、拒否します。

郵送先住所 : Texas Instruments, Post Office Box 655303, Dallas, Texas 75265
Copyright © 2023, Texas Instruments Incorporated