

デザイン・ガイド: TIDA-060026 スケーラブルな 2.1 チャンネルのオーディオ・アンプのリファレンス・デザイン



概要

この 2.1 チャンネルのオーディオ・アンプのリファレンス・デザインは、左および右チャンネルのオーディオ用に TAS5825M デジタル・ステレオ・アンプが、サブウーファー・チャンネル用に TAS5720M デジタル・モノラル・アンプが組み込まれています。このデザインは単一のオーディオ・ホスト・インターフェイスで動作し、5.1、7.1、9.1 チャンネル構成に拡張可能で、サウンドバー用途に理想的です。

リソース

TIDA-060026	デザイン・フォルダ
TAS5825M	プロダクト・フォルダ
TAS5720M	プロダクト・フォルダ
PurePath™ コンソール・マザーボード	ツール・フォルダ
PurePath™ コンソール・ソフトウェア (PPC3)	ツール・フォルダ

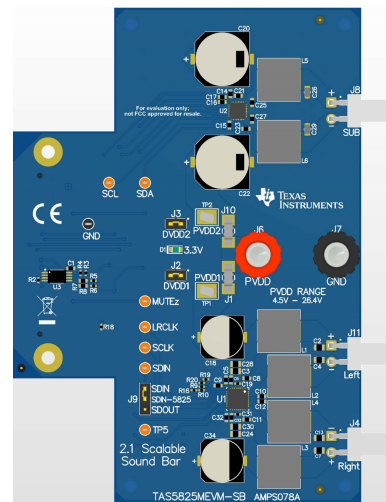
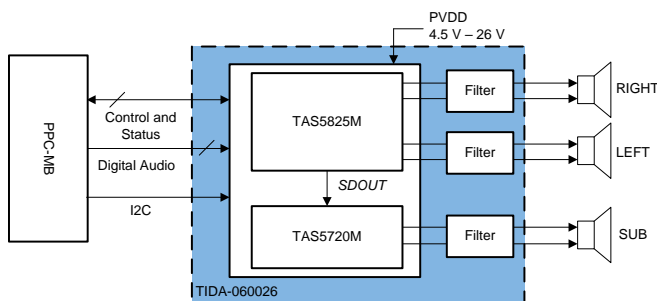
E2E™ エキスパートに質問

特長

- PVDD トラッキングおよびサーマル・フォールドバック保護
- スマート・アンプ・テクノロジー
- デジタル・オーディオ TDM に基づくモジュール型のスケーラブルなマルチチャンネル・ソリューション
- 自己保護機能 (OCE、CB3C、OTW、OTE、UVLO、OVLO) を内蔵
- 96kHz の高い処理能力を持つオーディオ DSP を内蔵し、いくつかの高度なオーディオ処理フローをサポート
- TDM モード (および I2S) で動作するため、スピーカーを拡張可能

アプリケーション

- サウンドバー
- スマート・スピーカー
- テレビ
- ノート PC 用スピーカー
- ワイヤレス・スピーカー
- スマート ディスプレイ



使用許可、知的財産、その他免責事項は、最終ページにあるIMPORTANT NOTICE (重要な注意事項)をご参照くださいますようお願いいたします。

1 System Description

Soundbars and wireless speakers, such as smart speakers and smart displays, often are released as part of a family of models that range in size and sound levels. Audio designers are often challenged to create new audio solutions for each model, in both hardware and software. This reference design illustrates how to start with a 2.1 channel system that can be easily scaled to more speakers on the same channel (such as in the case of Smart Speakers) or more channels (such as in the case of new emerging multi-channel Dolby Atmos soundbar systems). As the number of channels expands, the need remains to minimize the number of audio data output ports from the host SoC audio source. This design illustrates both the use of TDM mode and the main amplifier's SDOOUT port as means to scale the number of channels from a singular I2S port from the main audio source. The design uses high-quality, low-THD digital amplifiers that integrate mini DSPs for a number of process options including equalization, audio look-ahead, digital output for acoustic echo cancellation and a variety of speaker and amplifier protection functions.

1.1 Key System Specifications

表 1. Key System Specifications

PARAMETER	SPECIFICATIONS
Power Supply	4.5 V to 26.5 V DC
Digital Interface	I ² S and I ² C
THD+N vs Frequency	3.2.2
THD+N vs Power	3.2.2

2 System Overview

2.1 Block Diagram

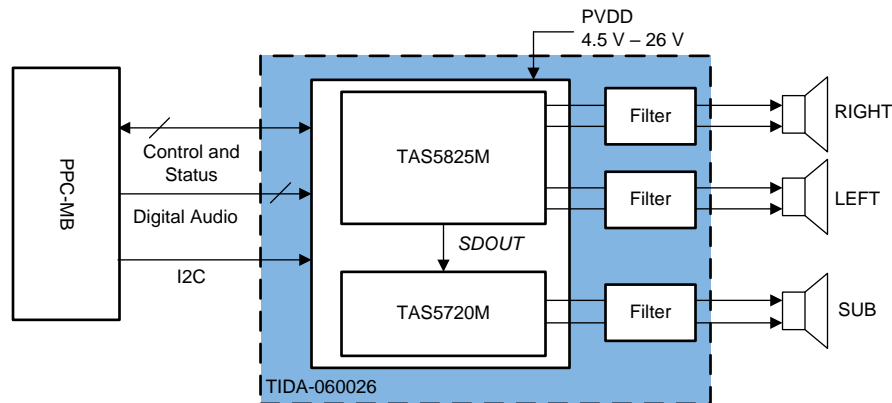


図 1. TIDA-060026 Block Diagram

2.2 Design Considerations

2.2.1 TAS5825M Layout

- Avoid placing other heat producing components or structures near the amplifier.
- If possible, use a higher layer count PCB to provide more heat sinking capability for the TAS5825M device and to prevent traces and copper signal and power planes from breaking up the contiguous copper on the top and bottom layer.
- Place the TAS5825M device away from the edge of the PCB when possible to ensure that the heat can travel away from the device on all four sides.
- Avoid cutting off the flow of heat from the TAS5825M device to the surrounding areas with traces or via strings. Instead, route traces perpendicular to the device and line up vias in columns which are perpendicular to the device.
- Unless the area between two pads of a passive component is large enough to allow copper to flow in between the two pads, orient it so that the narrow end of the passive component is facing the TAS5782M device.
- Because the ground pins are the best conductors of heat in the package, maintain a contiguous ground plane from the ground pins to the PCB area surrounding the device for as many of the ground pins as possible.
- Keep the thermal pad, which connects electrically and thermally to the PowerPAD™ of the TAS5825M device, be made no smaller than what is specified in the package addendum.

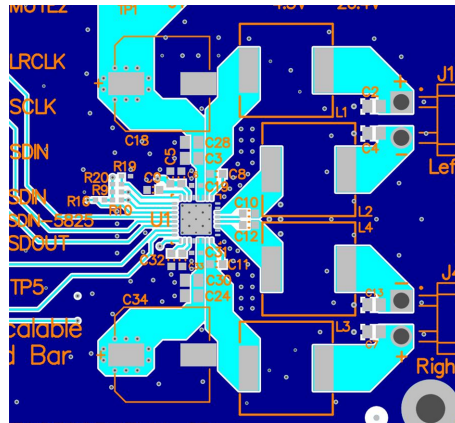


図 2. TAS5825M Layout

2.2.2 TAS5720M Layout

- Pay special attention to the power stage power supply layout. Each H-bridge has two PVDD input pins so that decoupling capacitors can be placed nearby. Use at least a 0.1- μ F capacitor of X5R quality or better for each set of inputs.
- Keep the current circulating loops containing the supply decoupling capacitors, the H-bridges in the device and the connections to the speakers as tight as possible to reduce emissions.
- Use ground planes to provide the lowest impedance for power and signal current between the device and the decoupling capacitors. The area directly under the device should be treated as a central ground area for the device, and all device grounds must be connected directly to that area.
- Use a via pattern to connect the area directly under the device to the ground planes in copper layers below the surface. This connection helps to dissipate heat from the device.
- Avoid interrupting the ground plane with circular traces around the device. Interruption disconnects the copper and interrupt flow of heat and current. Radial copper traces are better to use if necessary.

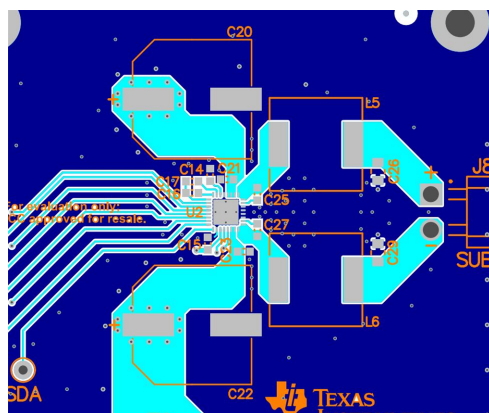


図 3. TAS5720M Layout

2.3 Highlighted Products

2.3.1 TAS5825M

The TAS5825M is a stereo high-performance closedloop Class-D with integrated audio processor with up to 192-kHz architecture. The powerful audio DSP core supports several advanced audio process flows. With 48-kHz or 96- kHz architecture, an integrated SRC (Sample rate convertor) detects the input sample rate change. Then auto converts to the target sample rate which DSP is running to avoid any audio artifacts. These process flows support: 2x15 BQs, 3-Band DRC, Fullband AGL (Automatic Gain Limiter), Smart Amplifier Algorithm (Thermal and Excursion Protection), Bass enhancement, Spatializer, THD manager, PVDD Tracking and Thermal Foldback. The 192-kHz process flow offers Full-band AGL and Thermal Foldback .

2.3.2 TAS5720M

The TAS5720x device is a high-efficiency mono Class-D audio power amplifier optimized for high transient power capability to use the dynamic power headroom of small loudspeakers. The device is capable of delivering more than 15 W continuously into a 4- Ω speaker. The digital time division multiplexed (TDM) interface enables up to eight devices to share the same bus.

2.4 System Design Theory

This 2.1 Soundbar audio system uses the TAS5825M as the left and right channels and the TAS5720M for the subwoofer. The TAS5825M is able to act as the central systems processor for both the stereo left and right speakers and for the mono subwoofer speaker by sending the audio signal through the TAS5825M's SDOUT pin to the TAS5720M's SDIN pin. The TAS5825M DSP can transmit a post-processed audio signal to the TAS5720M allowing for the signal to benefit from bass enhancement, smart amplifier algorithm, etc.

This design also allows for the 2.1 system to be expanded to a 5.1 system with the inclusion of another TIDA-060026 board with the I2C, 3.3-V, PVDD, and GND connected between the boards. This also can be expanded further to be a 7.1 and 9.1 system with the inclusion of the TAS5825MEVM as shown in [Figure 4](#).

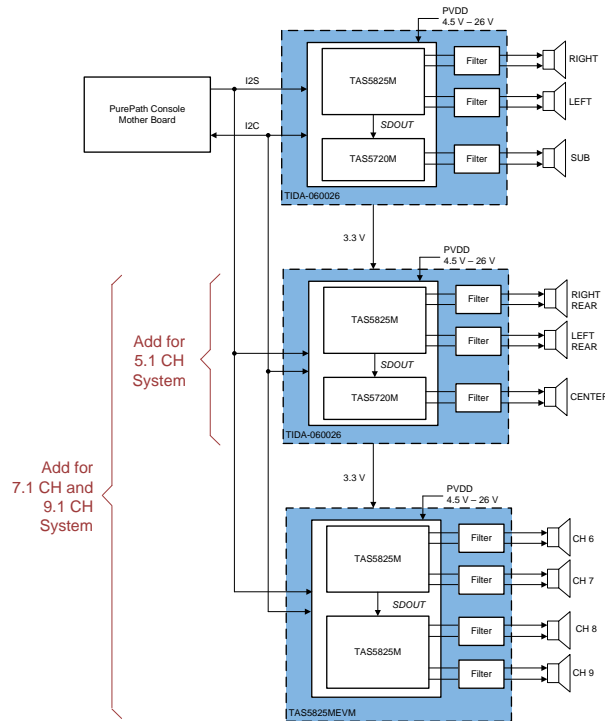


図 4. 5.1, 7.1, and 9.1 Channel Expansion Diagram

3 Hardware, Software, Testing Requirements, and Test Results

3.1 Required Hardware and Software

3.1.1 Hardware

- TIDA-060026 Board
- PurePath Console Motherboard
- USB-A to USB-B micro cord
- 4.5-V to 26.4-V 6-A DC power supply
- Speakers rated at or above the expected output power
- Computer
- Audio Precision System (optional)

3.1.2 Software

- PurePath Console 3 (PPC3)—available from [MySecureSoftware](http://www.ti.com/MySecureSoftware)
- I²C Master App—downloaded within PPC3
- Audio player
- Audio Precision (optional)

3.2 Testing and Results

3.2.1 Test Setup

- Check that the jumpers are in the following states as shown in [表 2](#):

表 2. Jumper States

Jumper	Setting
J2	In
J3	In
J9	2 to 3

- Set the power supplies to 12-V and current to 6-A. Do not power up.
- Connect the power supply to TIDA-060026, with the positive terminal in **J6** and the negative terminal in **J7**.
- Connect the SUB speaker to **J8**.
- Connect the Left speaker to **J11**.
- Connect the Right speaker to **J4**.
- Connect the PurePath Motherboard console to **J5**.
- Turn on the power supplies.
- Connect the USB cable to the PurePath Motherboard console.
- Verify that the computer has set the PurePath Motherboard as the default playback device by opening the sound dialog from the windows control panel (see [図 5](#))

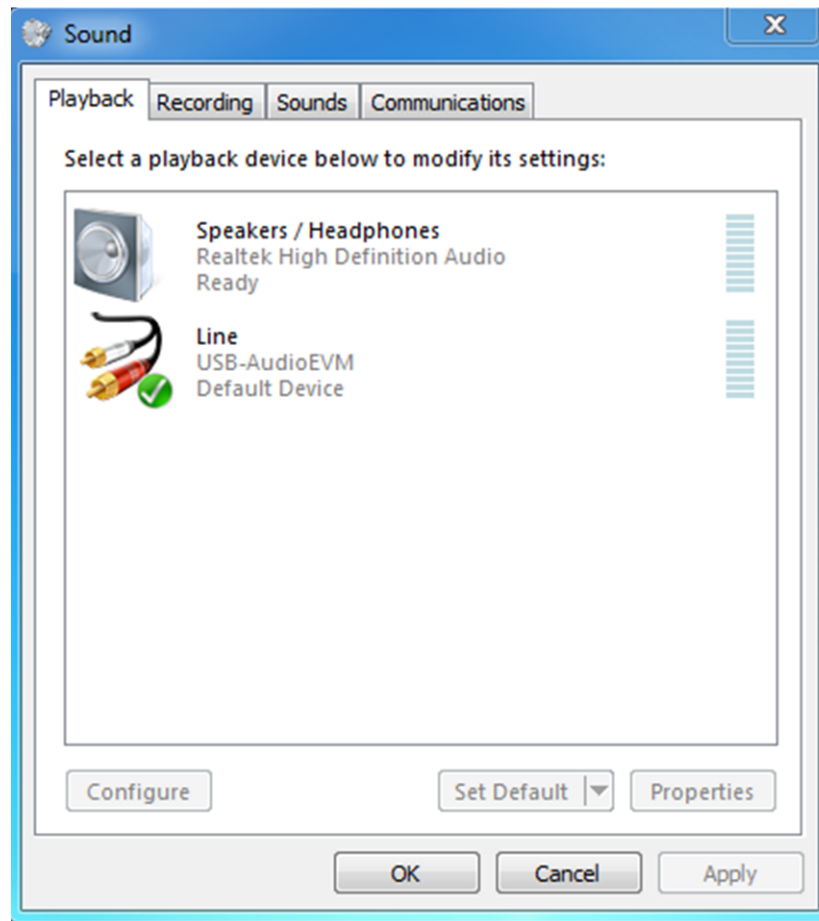


図 5. Playback Device Settings

- Start up PPC3 software.
- Log in and download the I2C Master App if it is not downloaded already.
- Launch the I2C Master App. In the bottom lefthand corner there should be a button that says Connect, shown in 図 6. Press the connect button and now the button should be red and say Disconnect.

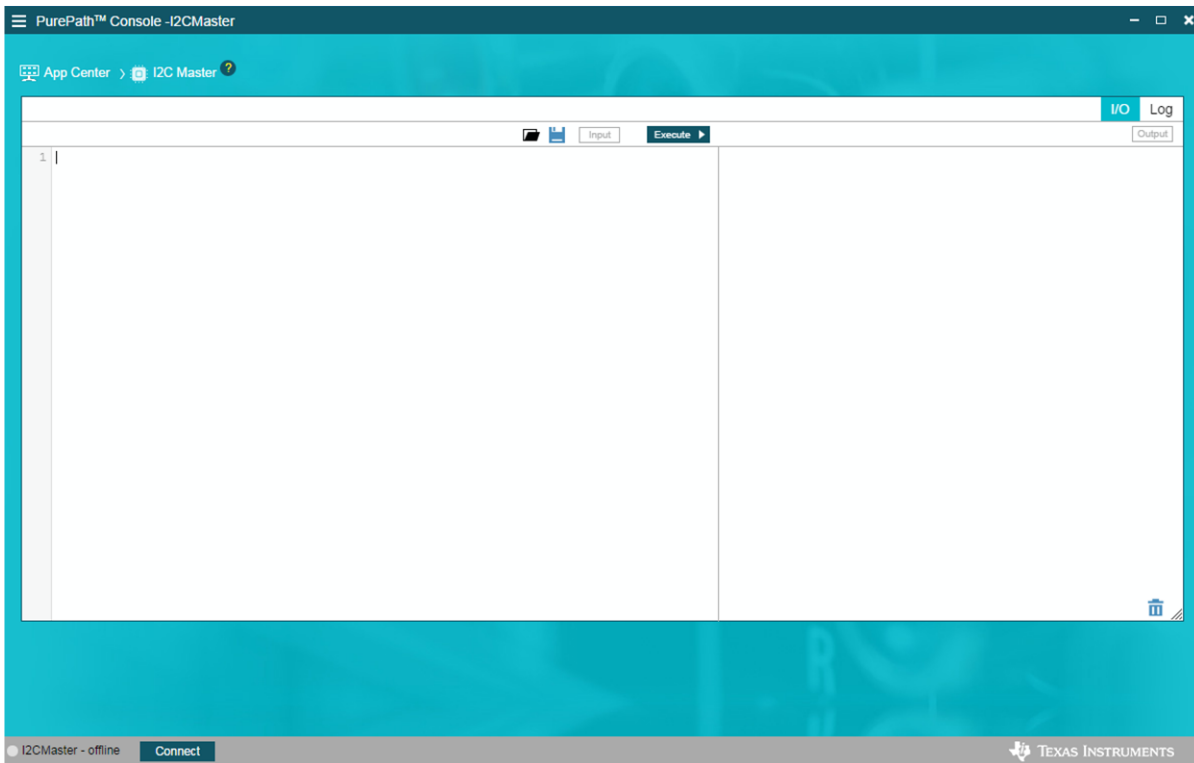


図 6. I2C Master Interface

- Open up the code .txt file provided on the website and copy and paste the code into the I2C Master app.
- Shown in 図 6, click the Excute button. All lines should say successfully written.
- Proceed to play audio through the audio player.

3.2.2 Test Results

Measurements were done at free-air room 25°C, with the Analog Analyzer filter set to 20-kHz brickwall filter. PVDD was set to 12-V with the load being 4-Ω.

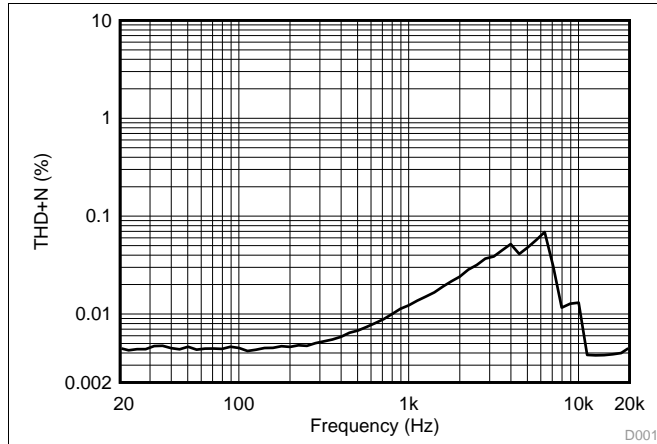


図 7. TAS5720M: THD+N vs Frequency

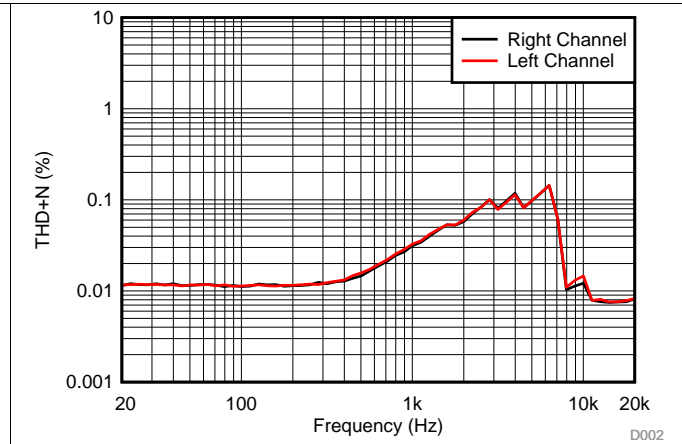


図 8. TAS5825M: THD+N vs Frequency

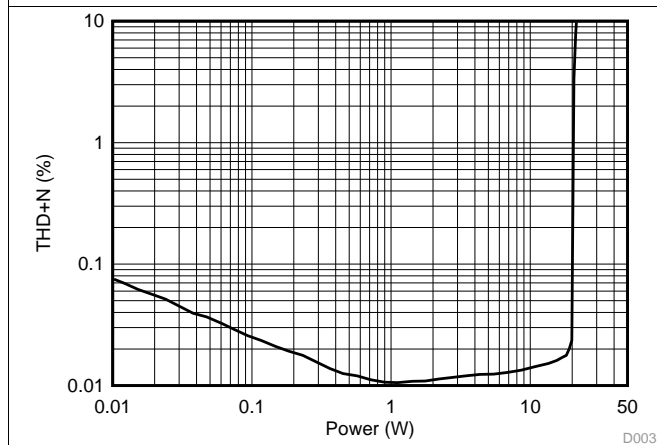


図 9. TAS5720M: THD+N vs Power

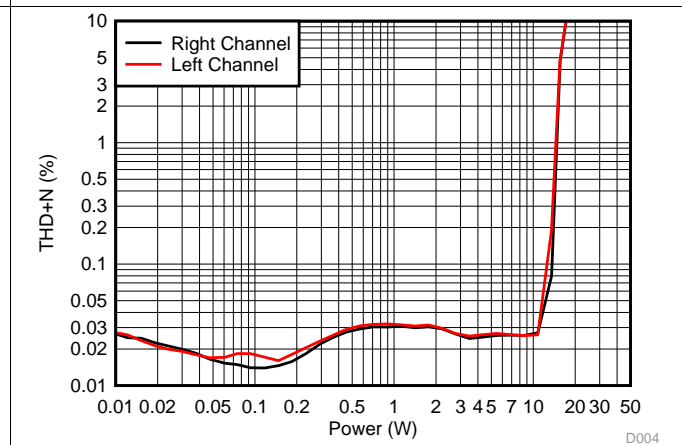


図 10. TAS5825M: THD+N vs Power

4 Design Files

4.1 Schematics

To download the schematics, see the design files at [TIDA-060026](#).

4.2 Bill of Materials

To download the bill of materials (BOM), see the design files at [TIDA-060026](#).

4.3 PCB Layout Recommendations

4.3.1 Layout Prints

To download the layer plots, see the design files at [TIDA-060026](#).

4.4 Altium Project

To download the Altium Designer® project files, see the design files at [TIDA-060026](#).

4.5 Gerber Files

To download the Gerber files, see the design files at [TIDA-060026](#).

4.6 Assembly Drawings

To download the assembly drawings, see the design files at [TIDA-060026](#).

5 Software Files

To download the software files, see the design files at [TIDA-060026](#).

6 Related Documentation

1. [TAS5825M Process Flows](#)

6.1 商標

E2E is a trademark of Texas Instruments.

Altium Designer is a registered trademark of Altium LLC or its affiliated companies.

すべての商標および登録商標はそれぞれの所有者に帰属します。

6.2 Third-Party Products Disclaimer

TI'S PUBLICATION OF INFORMATION REGARDING THIRD-PARTY PRODUCTS OR SERVICES DOES NOT CONSTITUTE AN ENDORSEMENT REGARDING THE SUITABILITY OF SUCH PRODUCTS OR SERVICES OR A WARRANTY, REPRESENTATION OR ENDORSEMENT OF SUCH PRODUCTS OR SERVICES, EITHER ALONE OR IN COMBINATION WITH ANY TI PRODUCT OR SERVICE.

7 About the Author

Robert Clifton is an applications engineer at Texas Instruments. Robert obtained his bachelor's degree from Texas Tech University in electrical engineering.

重要なお知らせと免責事項

TI は、技術データと信頼性データ(データシートを含みます)、設計リソース(リファレンス・デザインを含みます)、アプリケーションや設計に関する各種アドバイス、Web ツール、安全性情報、その他のリソースを、欠陥が存在する可能性のある「現状のまま」提供しており、商品性および特定目的に対する適合性の黙示保証、第三者の知的財産権の非侵害保証を含むいかなる保証も、明示的または黙示的にかかわらず拒否します。

これらのリソースは、TI 製品を使用する設計の経験を積んだ開発者への提供を意図したものです。(1) お客様のアプリケーションに適した TI 製品の選定、(2) お客様のアプリケーションの設計、検証、試験、(3) お客様のアプリケーションに該当する各種規格や、その他のあらゆる安全性、セキュリティ、規制、または他の要件への確実な適合に関する責任を、お客様のみが単独で負うものとし、

上記の各種リソースは、予告なく変更される可能性があります。これらのリソースは、リソースで説明されている TI 製品を使用するアプリケーションの開発の目的でのみ、TI はその使用をお客様に許諾します。これらのリソースに関して、他の目的で複製することや掲載することは禁止されています。TI や第三者の知的財産権のライセンスが付与されている訳ではありません。お客様は、これらのリソースを自身で使用した結果発生するあらゆる申し立て、損害、費用、損失、責任について、TI およびその代理人を完全に補償するものとし、TI は一切の責任を拒否します。

TI の製品は、[TI の販売条件](#)、または [ti.com](https://www.ti.com) やかかる TI 製品の関連資料などのいずれかを通じて提供する適用可能な条項の下で提供されています。TI がこれらのリソースを提供することは、適用される TI の保証または他の保証の放棄の拡大や変更を意味するものではありません。

お客様がいかなる追加条項または代替条項を提案した場合でも、TI はそれらに異議を唱え、拒否します。

郵送先住所 : Texas Instruments, Post Office Box 655303, Dallas, Texas 75265

Copyright © 2022, Texas Instruments Incorporated