

# デザイン・ガイド: TIDA-050033 スマート・メータ PLC モジュールのバックアップ電源のリファレンス・デザイン



## 概要

TIDA-050033 リファレンス・デザインでは、スマート・メータ PLC モジュール用のバックアップ電源ソリューションを紹介いたします。スーパー・キャパシタ用の単純なリニア充電器回路が含まれています。コスト効率の優れた昇圧コンバータの TLV61048 を使用することで、最低動作電圧が拡張され、スーパー・キャパシタの使用率が最大化されます。サイズが小さい (容量が小さい) スーパー・キャパシタを選択できるため、全体的な部品表 (BOM) を削減できます。詳細な設計理論、部品選定、テスト結果についても解説します。

## リソース

<a href="#">TIDA-050033</a>	デザイン・フォルダ
<a href="#">TLV61048</a>	プロダクト・フォルダ
<a href="#">TPS560430</a>	プロダクト・フォルダ
<a href="#">TL431</a>	プロダクト・フォルダ
<a href="#">CSD25310Q2</a>	プロダクト・フォルダ

## 特長

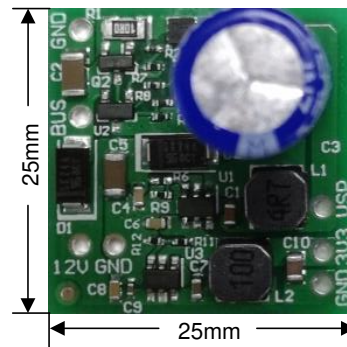
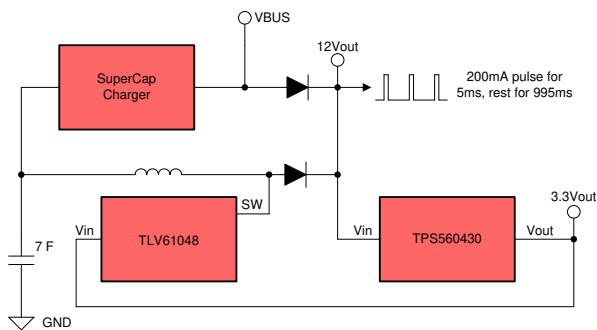
- スマート・メータ PLC モジュールのバックアップ電源: 12V
- スーパー・キャパシタの最低動作電圧: 1.3V
- 高効率
- 小型
- 約 60mA のリニア充電器

## アプリケーション

- スマート・メータ



[Search Our E2E™ support forums](#)



使用許可、知的財産、その他免責事項は、最終ページにあるIMPORTANT NOTICE (重要な注意事項)をご参照くださいますようお願いいたします。

## 1 System Description

Currently, power line communications (PLC) technology applied to smart meter is developing at a high speed. The new national grid standard requires that the 12 V voltage of the smart meter bus should report the necessary information within specified time after the bus voltage browns out. Thus, PLC module backup power supply is needed. The size of the backup power must be as small as possible due to limited space, at the same time, a cost effective solution is desired.

The TIDA-050033 reference design focuses on the above requirements. This reference design includes a linear charger, a super capacitor, a high step up ratio, high efficiency boost converter TLV61048 and a synchronous step down converter.

### 1.1 Key System Specifications

表 1 gives the performance specification of the TIDA-050033 reference design. The TLV61048 boost converter can output a stable 12 V DC voltage when the super capacitor voltage drops to 1.3 V.

**表 1. Key System Specifications**

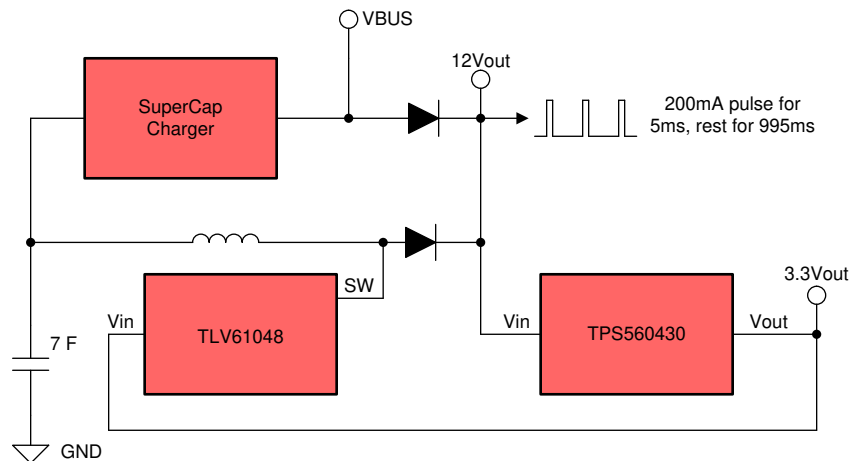
PARAMETER	DESCRIPTION
Super capacitor operating voltage	1.3 V to 2.5 V
Super capacitor charging time	330 seconds
Super capacitor charging current	60 mA
Back up power lasting time	45 seconds
Boost converter output voltage	12 V
PLC Module current	200mA for 5ms, 25mA for 995ms rest

## 2 System Overview

### 2.1 Block Diagram

Figure 1 shows the block diagram of TIDA-050033. It uses a super capacitor as the energy storage cell. When VBUS exists, the PLC module is powered by Vbus and the super capacitor is charged by a linear charger. The super capacitor will be charged to 2.5 V. The synchronous step-down DC-DC converter TPS560430 will generate a 3.3 V dc voltage as MCU power supply and TLV61048 external bias. When Vbus fails ( $V_{bus} < 12\text{ V}$ ), boost converter TLV61048 starts switching and provides a 12 V seamlessly to supply the PLC line driver amplifier

Figure 1. TIDA-050033 Block Diagram



### 2.2 Design Considerations

The reference design features the TLV61048, TPS560430, TL431, and CSD25310Q2. The following subsections briefly summarize the key performance of each device. To find more details about each device, see their respective data sheets at [Ti.com](http://www.ti.com).

### 2.3 Highlighted Products

#### 2.3.1 TLV61048

The TLV61048 is a non-synchronous boost converter that integrates a power switch with 3.7-A typical current limit to extend the discharge capability of the input source without sacrificing maximal load delivery. The TLV61048 could be configured at 600 kHz for higher efficiency. At the light load, the device enters into the PFM operation to achieve higher efficiency. Other key features of this device include:

- Internal Compensation
- Internal 2-ms soft-start time
- 1-uA shutdown current
- Thermal shutdown protection
- 2.9-mm × 1.6mm 6-pin SOT-23 package

### 2.3.2 TPS560430

The TPS560430 is an easy to use synchronous step-down DC-DC converter capable of driving up to 600-mA load current. With a wide input range of 4 V to 36 V, the device is suitable for a wide range of applications from industrial to automotive for power conditioning from an unregulated source. Other key features of this device include:

- Cycle-by-cycle current limit
- Short circuit protection with hiccup mode
- $\pm 1.5\%$  tolerance voltage reference over temperature from  $-40^{\circ}\text{C}$  to  $125^{\circ}\text{C}$
- Integrated synchronous rectification
- Integrated compensation for ease of use
- SOT-23-6 package

### 2.3.3 TL431

The TL431 is a three-terminal adjustable shunt regulator, with specified thermal stability. Other key features of this device include:

- Adjustable output voltage: 2.5 to 36 V
- Operation from  $-40^{\circ}\text{C}$  to  $125^{\circ}\text{C}$
- Low output noise
- Sink-current capability: 1 mA to 100 mA

### 2.3.4 CSD25310Q2

This -20 V P-channel device is designed to deliver the lowest on resistance and gate charge in the smallest outline possible with excellent thermal characteristics in an ultra-low profile. Its low on resistance coupled with an extremely small footprint in a SON 2 mm \* 2 mm plastic package make the device ideal for battery operated space constrained operations. Other key features of this device include:

- Ultra-low Qg and Qgd
- Low thermal resistance

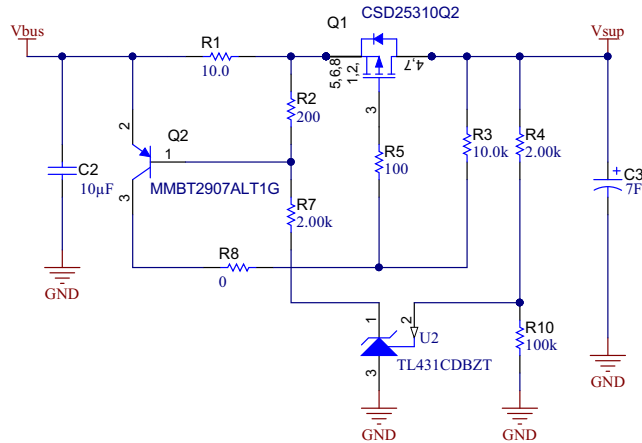
## 2.4 System Design Theory

The entire schematic of the TIDA-050033 can be found in the TIDA-050033 design folder. The following subsections explain the behavior the each sub circuit.

### 2.4.1 Super Capacitor Linear Charger Circuit

Figure 2 shows the super capacitor linear charger circuit of TIDA-050033. A linear charger is implemented in this reference design. The benefits of the linear charger are simplicity and low cost. TI's P-Channel MOSFET CSD25310Q2 (Q1) is the core of the discrete charger circuit. Since a P-Channel MOSFET remains off when the gate-source voltage is zero and turns on when the voltage is negative. A low cost PNP device Q2 is used to drive Q1. The current sense resistor R1 connected to Q2 defines the charging current, which is around 60mA. The adjustable shunt regulator TL431 limits the charging voltage to 2.5 V. The circuit behaves like a linear regulator. Nearly all of the losses are converted to heat, so the power dissipation must be kept below the thermal limit. The current charging time is about 330 seconds for a super capacitor of 7 F.

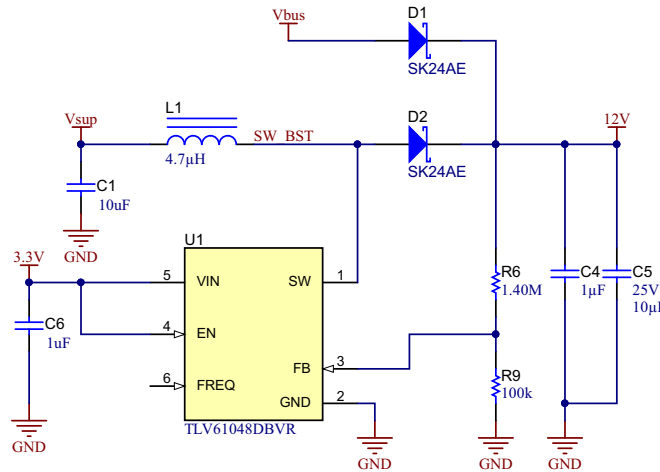
図 2. Super Capacitor Linear Charger Circuit



### 2.4.2 Boost Converter Solution

図 3 shows the TLV61048 boost converter, which is the main circuit of TIDA-050033. Most of the external components are selected based on the suggestion in the data sheet. The device operates at 600kHz (FREQ = floating) for higher efficiency and higher duty cycle. An external 3.3 V bias supply is applied at VIN pin so the device can operate down to 1.3 V. When Vbus exists, TLV61048 stops switching so it consumes minimum current, only 100uA (typical). Once Vbus fails, TLV61048 could work immediately and provide 12 V supply seamlessly.

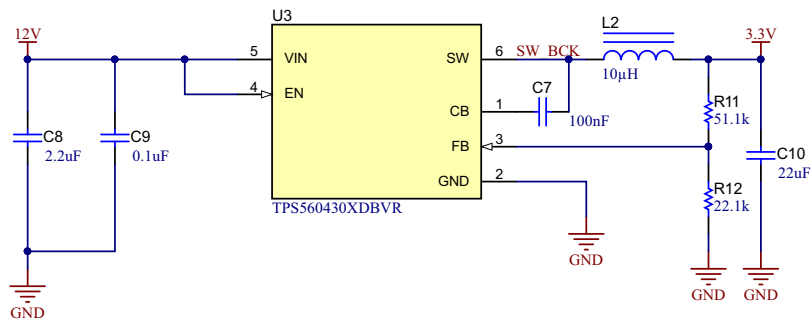
図 3. TLV61048 Boost Converter



### 2.4.3 Buck Converter Solution

図 4 shows the TPS560430 buck converter. TPS560430 operates at 1.1 MHz switching frequency for high efficiency. It provides 3.3 V to supply MCU and boost converter TLV61048 VIN pin. At light load condition, the TPS560430 operates in PFM mode to maintain high efficiency. When Vbus fails, TLV61048 boost output supplies the PLC line driver, as well as the buck input

図 4. TPS560430 Buck Converter



### **3 Hardware, Software, Testing Requirements, and Test Results**

#### **3.1 Required Hardware and Software**

##### **3.1.1 Hardware**

This reference design uses the following hardware to do the measurement.

- One DC power supply
- One E-Load
- One digital oscilloscope

## 3.2 Testing and Results

### 3.2.1 Test Setup

This section describes how to properly connect the setup of the TIDA-050033.

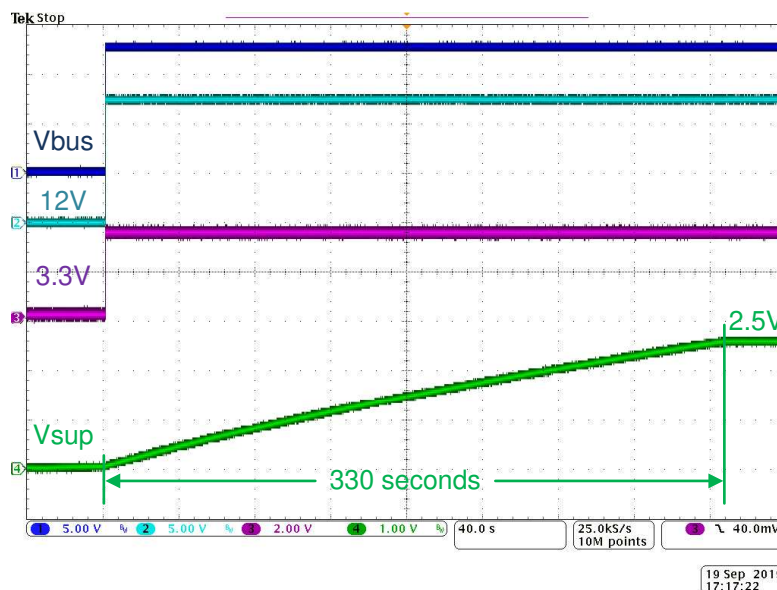
- Connect the positive terminal of DC power supply to pad BUS, and its GND terminal to pad GND on PCB.
- Connect the positive input of the E-Load to pad 12 V, and its GND input to pad GND on PCB.
- Keep the DC power supply and E-Load off. Set the DC power supply to 13 V and E-Load to 200mA for 5ms, 25mA for 995mA.
- Turn on the DC power supply and E-load.
- After the super capacitor is charged to 2.5 V, turn off the DC power supply.

### 3.2.2 Test Results

#### 3.2.2.1 Linear Charger Operating Waveform

Figure 5 shows the voltage of 7 F super capacitor during charge-up, output voltage of boost converter and buck converter. The super capacitor voltage rises from 0 V to 2.5 V within approximately 330 seconds.

Figure 5. Super Capacitor Charging Waveform

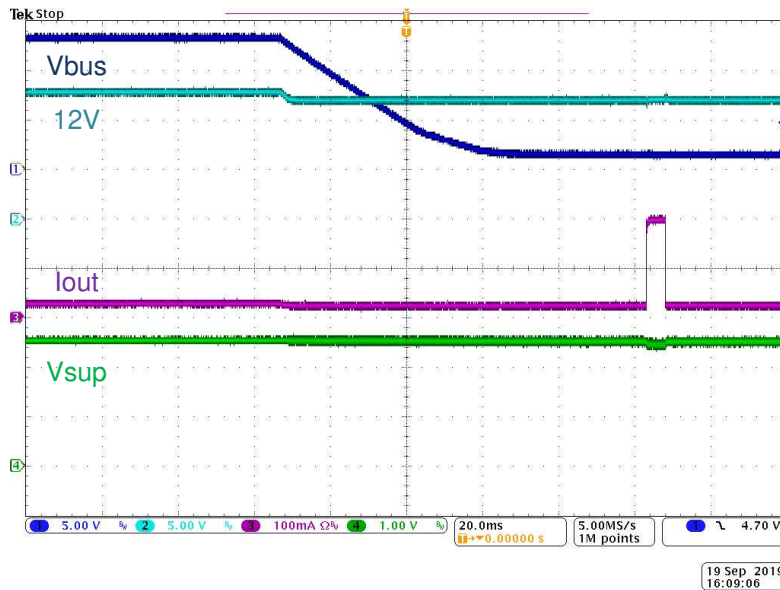


#### 3.2.2.2 Transient Waveform When Vbus fails

Figure 6 shows the transient when Vbus fails. When Vbus fails from 13 V to 0 V, TLV61048 starts working immediately and keeps output voltage stable at 12 V. The boost converter draws power from super capacitor so the super capacitor discharges.



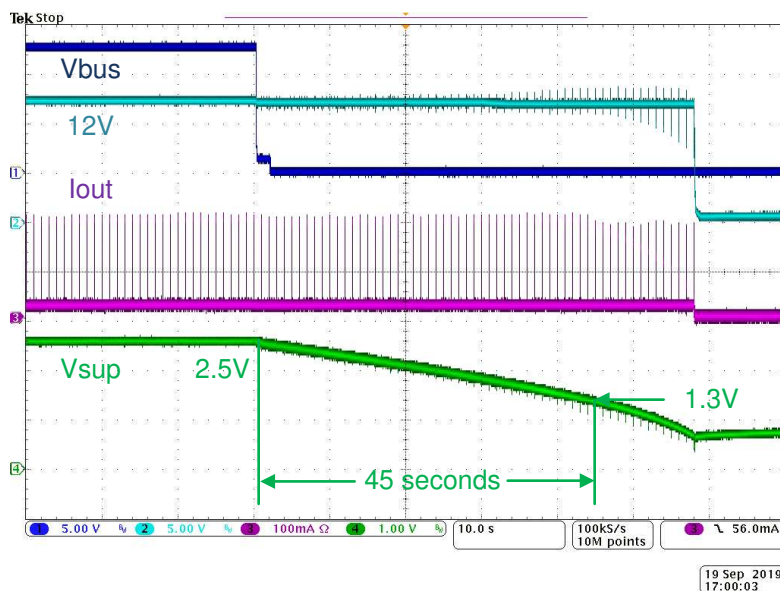
図 6. Transient Waveform When Vbus Fails



### 3.2.2.3 Super Capacitor Discharging Waveform

図 7 shows the super capacitor discharging waveform. When Vbus fails, the super capacitor takes the role of backup power source. Boost converter TLV61048 draws power from super capacitor and supply the PLC module. The test result shows TLV61048 could provide stable 12 V/ 200 mA even super capacitor voltage decreases to 1.3 V. The discharging time lasts 45 seconds. It maximizes the super capacitor usage rate.

図 7. Super Capacitor Discharging Waveform



## 4 Design Files

### 4.1 Schematics

To download the schematics, see the design files at [TIDA-050033](#).

### 4.2 Bill of Materials

To download the bill of materials (BOM), see the design files at [TIDA-050033](#).

### 4.3 PCB Layout Recommendations

#### 4.3.1 Layout Prints

To download the layer plots, see the design files at [TIDA-050033](#).

### 4.4 Altium Project

To download the Altium Designer® project files, see the design files at [TIDA-050033](#).

### 4.5 Gerber Files

To download the Gerber files, see the design files at [TIDA-050033](#).

### 4.6 Assembly Drawings

To download the assembly drawings, see the design files at [TIDA-050033](#).

## 5 Software Files

To download the software files, see the design files at [TIDA-050033](#).

## 6 Related Documentation

1. [TLV61048 14-V Output Voltage Non-synchronous Boost Converter in SOT-23 package](#)
2. [TPS560430 SIMPLE SWITCHER 4-V to 36-V, 600-mA Synchronous Step-Down Converter](#)

### 6.1 商標

E2E is a trademark of Texas Instruments.

Altium Designer is a registered trademark of Altium LLC or its affiliated companies.

すべての商標および登録商標はそれぞれの所有者に帰属します。

### 6.2 Third-Party Products Disclaimer

TI'S PUBLICATION OF INFORMATION REGARDING THIRD-PARTY PRODUCTS OR SERVICES DOES NOT CONSTITUTE AN ENDORSEMENT REGARDING THE SUITABILITY OF SUCH PRODUCTS OR SERVICES OR A WARRANTY, REPRESENTATION OR ENDORSEMENT OF SUCH PRODUCTS OR SERVICES, EITHER ALONE OR IN COMBINATION WITH ANY TI PRODUCT OR SERVICE.

## 重要なお知らせと免責事項

TI は、技術データと信頼性データ(データシートを含みます)、設計リソース(リファレンス・デザインを含みます)、アプリケーションや設計に関する各種アドバイス、Web ツール、安全性情報、その他のリソースを、欠陥が存在する可能性のある「現状のまま」提供しており、商品性および特定目的に対する適合性の黙示保証、第三者の知的財産権の非侵害保証を含むいかなる保証も、明示的または黙示的にかかわらず拒否します。

これらのリソースは、TI 製品を使用する設計の経験を積んだ開発者への提供を意図したものです。(1) お客様のアプリケーションに適した TI 製品の選定、(2) お客様のアプリケーションの設計、検証、試験、(3) お客様のアプリケーションに該当する各種規格や、その他のあらゆる安全性、セキュリティ、規制、または他の要件への確実な適合に関する責任を、お客様のみが単独で負うものとします。

上記の各種リソースは、予告なく変更される可能性があります。これらのリソースは、リソースで説明されている TI 製品を使用するアプリケーションの開発の目的でのみ、TI はその使用をお客様に許諾します。これらのリソースに関して、他の目的で複製することや掲載することは禁止されています。TI や第三者の知的財産権のライセンスが付与されている訳ではありません。お客様は、これらのリソースを自身で使用した結果発生するあらゆる申し立て、損害、費用、損失、責任について、TI およびその代理人を完全に補償するものとし、TI は一切の責任を拒否します。

TI の製品は、[TI の販売条件](#)、または [ti.com](https://www.ti.com) やかかる TI 製品の関連資料などのいずれかを通じて提供する適用可能な条項の下で提供されています。TI がこれらのリソースを提供することは、適用される TI の保証または他の保証の放棄の拡大や変更を意味するものではありません。

お客様がいかなる追加条項または代替条項を提案した場合でも、TI はそれらに異議を唱え、拒否します。

郵送先住所 : Texas Instruments, Post Office Box 655303, Dallas, Texas 75265

Copyright © 2022, Texas Instruments Incorporated