

## Design Guide: TIDA-060042

## 使用した直列 RTD 温度センシングのリファレンス・デザイン



## 概要

このリファレンス・デザインは、[ADS1282EVM-PDK](#) を使用した、完全宇宙グレードのレシオメトリック温度センシング回路を示します。この回路は、バッファを使用せずに、最大 10 箇所の温度を測定します。宇宙アプリケーションの多くは、このマルチ・ロケーション回路の利点を活用できる複数のサブシステムで温度測定を行う必要があります。

## リソース

<a href="#">TIDA-060042</a>	デザイン・フォルダ
<a href="#">ADS1282-SP</a>	プロダクト・フォルダ
<a href="#">LMP7704-SP</a>	プロダクト・フォルダ
<a href="#">TPS7A4501-SP</a>	プロダクト・フォルダ

## 特長

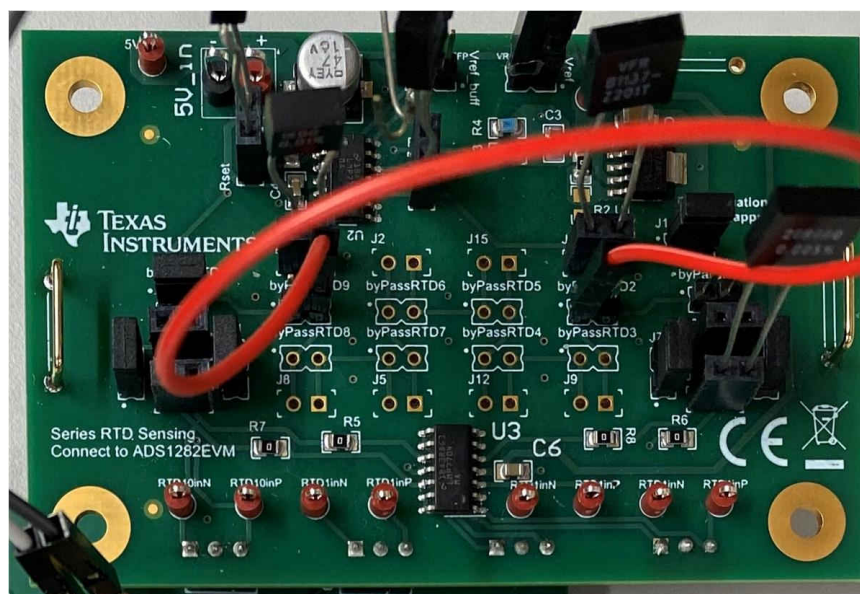
- 最大 10 箇所の温度を測定
- レシオメトリック温度センシング
- 99.93% 精度
- バッファは使用しない
- 小さなサイズと低コスト

## アプリケーション

- 衛星用電源システム (EPS)
- レーダー画像処理ペイロード
- 通信ペイロード
- コマンドとデータの処理 (C&DH)



Ask our TI E2E™ support experts



## 1 System Description

This reference design demonstrates a temperature sensing system that can measure temperature at 10 different locations. The system consists of [TIDA-060042](#) and [ADS1282EVM-PDK](#). [TIDA-060042](#) is a *Resistance Temperature Detector* (RTD) board that connects 10 RTDs in a series. Shown in [Figure 2-1](#), each of the RTD outputs a differential signal proportional to its resistance, and is captured by [ADS1282EVM-PDK](#) for temperature calculation. Due to the large input impedance of [ADS1282-SP](#), the accuracy of the measurement is greater than 99.93% without calibration or using any buffers. Compare to traditional space temperature measurement circuits, this circuit is not only more flexible and accurate, but also has smaller size and lower cost for reducing use of buffers.

## 2 System Overview

[表 2-1](#) details the system specifications of [TIDA-060042](#), the RTD board, which is designed to connect to [ADS1282EVM-PDK](#) for temperature measurement.

**表 2-1. TIDA-060042 System Specification**

	Net name	Description	Value	Unit	Error [%]
Power Supply	5V_in	RTD board power supply	5	V	N/A
Input	Rref	Sets the Vref for ADS1282EVM	4.76 for $I_{RTD} \approx 0.5$ mA	kOhm	0.05%
			2.18 for $I_{RTD} \approx 1$ mA		
			1.1 for $I_{RTD} \approx 1.5$ mA		
	Rset	Sets the current at all RTDs and Rref	1.5k for $I_{RTD} \approx 0.5$ mA	Ohm	0.05%
			750 for $I_{RTD} \approx 1$ mA		
			500 for $I_{RTD} \approx 1.5$ mA		
RTD1 to RTD10	10 RTDs located at different locations	0 to 135	Ohm	0.05%	
Output	ADCin1	Voltage across RTD1	0 to $V_{ref}^2/(2*gain^3)$	V	0.1%
	ADCin2	Voltage across RTD2	0 to $V_{ref}/(2*gain)$	V	0.1%

### 2.1 Block Diagram

This reference design uses equivalent commercial components on the PCB instead of the full space grade ICs for electrical performance evaluation. Compare to space grade IC, commercial devices have similar electrical characteristics but is not radiation tolerant. In addition, [ADS1282-SP](#) is not placed on [TIDA-060042](#). Instead, [TIDA-060042](#) is designed to connect to [ADS1282EVM-PDK](#) for temperature measurement. [図 2-1](#) illustrates the recommended comprehensive block diagram, and [図 2-2](#) illustrates how [TIDA-060042](#), the RTD board, is connects to [ADS1282EVM-PDK](#) for temperature measurement.

<sup>1</sup> Current of all RTDs, Rset, and Rref as shown in [Figure 2-1](#)

<sup>2</sup> Vref is the voltage across Rref in [Figure 2-1](#)

<sup>3</sup> [ADS1282-SP](#) programmable gain amplifier (PGA) gain, which could be set to 1, 2, 4, 8, 16, 32, and 64

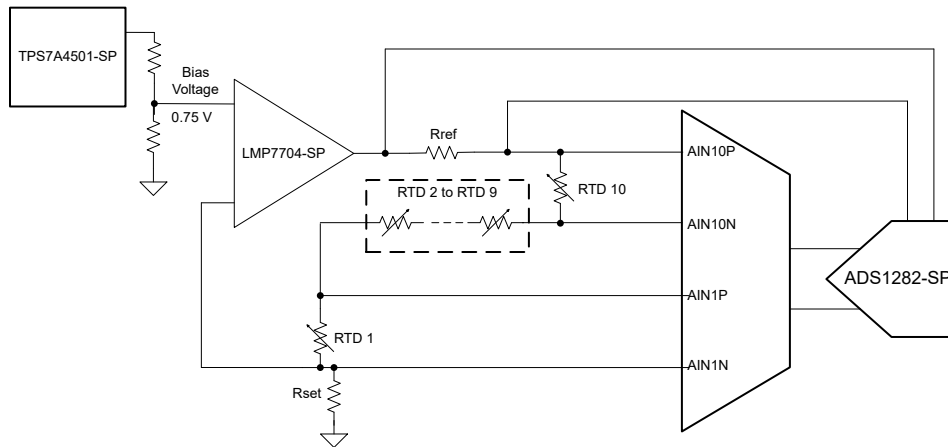


図 2-1. Temperature Sensing Application Block Diagram

LMP7704-SP, a rail-to-rail input and output op-amp, supplies a fixed current to each of the RTDs as well as to Rset and Rref. The value of Rset will set the current drawn by the series resistances, thus to adjust the current, Rset needs to be modified. The bias voltage is set to 0.75 V. Voltage across Rref is the ADS1282-SP reference voltage for setting the ADC Full Scale Range (FSR). Compared to 図 2-1, 図 2-2 has the mux removed. Only RTD1 and RTD10 are connected to ADS1282EVM-PDK for evaluating the effect of common mode voltage (Vcm) on the measured result.

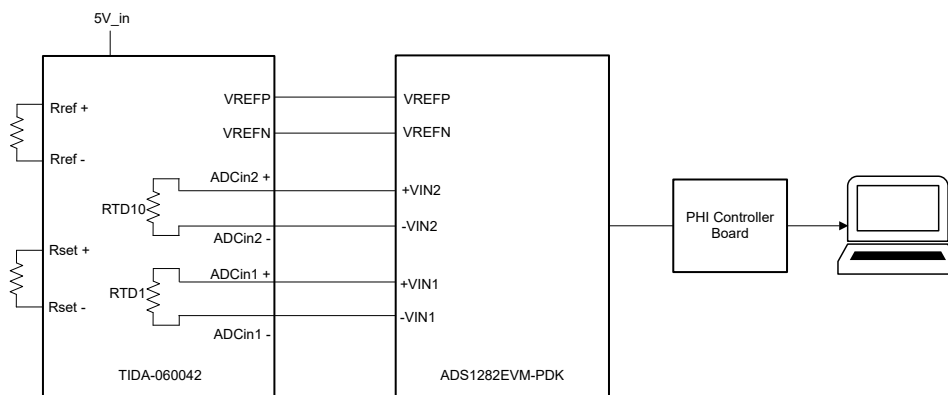


図 2-2. Connection Between TIDA-060042 and ADS1282EVM-PDK

## 2.2 Design Considerations

As 図 2-2 illustrates, TIDA-060042 is designed to connect to ADS1282EVM-PDK to monitor voltage across RTD1 and RTD10. TIDA-060042 can measure the RTD voltages in two different ways: with or without buffers. Buffers are provided as an option but the main focus in this reference design is to evaluate ADS1282-SP without using any buffers. The following sections describe the formulas to calculate Rset, Rref, and the internal ADC gain, as well as simulations showing the effect of analog multiplexer connecting between TIDA-060042 and ADS1282EVM-PDK.

### 2.2.1 Rset, Rref, and Gain Calculation

ADS1282-SP input ranges from 0.7 V above AVSS and 1.25 V below AVDD. With AVDD set to 5 V, ADS1282EVM-PDK accepts inputs from 0.7 V to 3.75 V. In TIDA-060042, the Bias Voltage in 図 2-1 is set to 0.75V. Based on the desired RTD current ( $I_{RTD}$ ), Rset is calculated with 式 1.

$$R_{set} = \frac{0.75 \text{ V}}{I_{RTD}} \quad (1)$$

Using the maximum RTD resistance, in this design is 135  $\Omega$ , Rref and Gain are calculated with the two formulas (式 2 and 式 3).

$$R_{ref} > 135 \Omega \times 2 \times \text{Gain} \tag{2}$$

$$R_{ref} < \frac{5V}{I_{RTD}} - R_{set} - 135 \Omega \times 10 \tag{3}$$

Once Rset, Rref, and gain are confirmed, the percentage of positive ADC FSR used by each RTD is calculated with 式 4. For highest performance, Rref is preferred to be as small as possible to maximize the use of positive FSR.

$$\% \text{ positive FSR used} = \frac{135 \Omega \times 2 \times \text{Gain}}{R_{ref}} \times 100\% \tag{4}$$

### 2.2.2 Analog Multiplexer Effect

Analog multiplexer (Mux) is not implemented in the design hardware, but the Mux is considered through simulation.

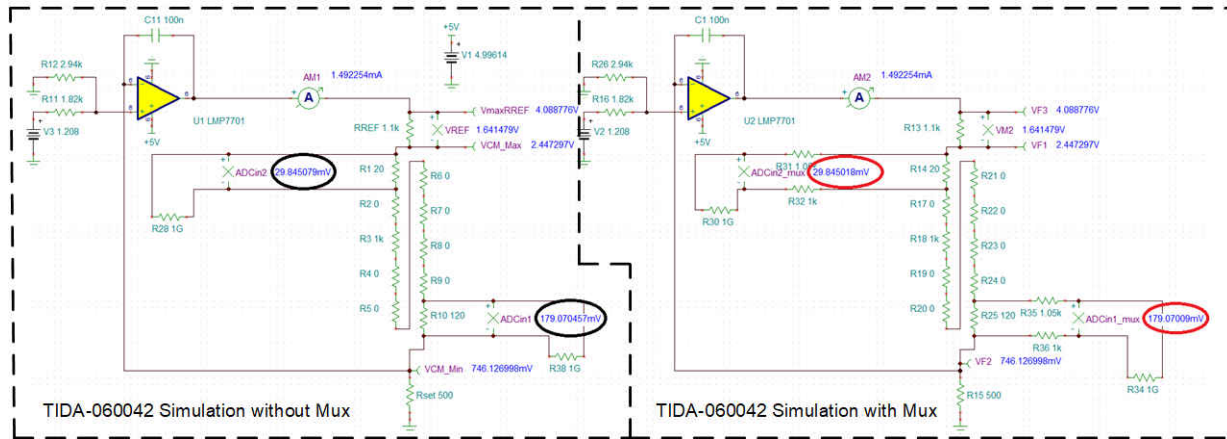


図 2-3. Analog Multiplexer Effect Simulation

表 2-2. Analog Multiplexer Effect Simulation Results

	Without Mux	With mux	% difference
ADCin1 [mV]	179.070457	179.07009	0.0002%
ADCin2 [mV]	29.845079	29.845018	0.0002%

As shown in 図 2-3 and 表 2-2, the RTD board is simulated with and without mux, and their schematic are shown on the right and left side of the figure, along with simulation result circled in red and black. To simulate a mux, a resistor to represent the MUX on-resistance is added and set to 1 kΩ allowing 50 Ω difference between each channel. Since ADS1282-SP has one GΩ differential input impedance with PGA chopping enabled, there are only about 0.0002% difference between the two circuits output. Compare this error with the error causing by the RTD itself, the error from mux is negligible and does not affect the overall performance.

## 2.3 Highlighted Products

The following sections describe the highlighted products used in this design.

### 2.3.1 ADS1282-SP

The [ADS1282-SP](#) is an extremely high-performance, single-chip analog-to-digital converter (ADC) with an integrated, low-noise programmable gain amplifier (PGA) and two-channel input multiplexer (mux). The [ADS1282-SP](#) is suitable for the demanding needs of energy exploration and seismic monitoring environments.

### 2.3.2 LMP7704-SP

The LMP7704-SP is a precision amplifier with low input bias, low offset voltage, 2.5-MHz gain bandwidth product, and a wide supply voltage. The device is radiation hardened and operates in the military temperature range of  $-55^{\circ}\text{C}$  to  $+125^{\circ}\text{C}$ . The high DC precision of this amplifier, specifically the low offset voltage of  $\pm 60\ \mu\text{V}$  and ultra-low input bias of  $\pm 500\ \text{fA}$ , make this device an excellent choice for interfacing with precision sensors with high output impedance. This amplifier can be configured for transducer, bridge, strain gauge, and trans-impedance amplification.

### 2.3.3 TPS7A4501-SP

The TPS7A4501-SP is a low-dropout (LDO) regulator optimized for fast-transient response. The 5962-1222402VHA can supply 750 mA of output current with a dropout voltage of 300 mV. The 5962R1222403VXC can supply 1.5 A of output current with a dropout voltage of 320 mV. Quiescent current is well controlled; it does not rise in dropout, as with many other regulators. In addition to fast transient response, the TPS7A4501-SP regulator has very-low output noise, which makes it better for sensitive RF supply applications.

Radiation reports for all the listed TI devices in [表 2-3](#) are found on their TI.com product folder.


**表 2-3. Radiation Qualification**

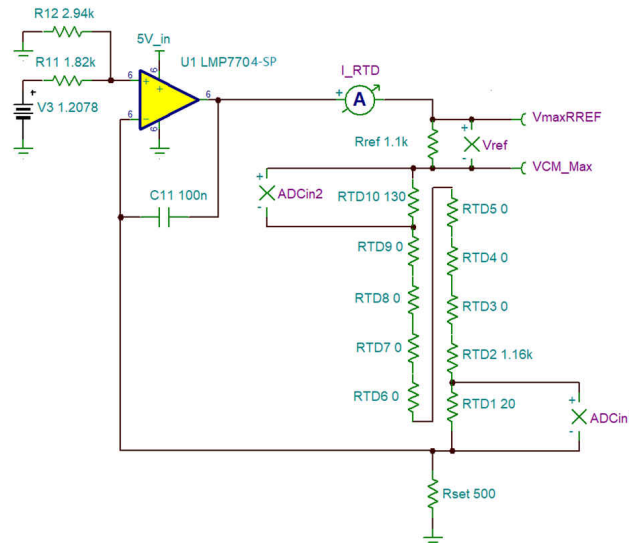
PART NUMBER	TOTAL IONIZATION DOSAGE (kRAD)	Single Event Latch-Up Immune (MeV-cm <sup>2</sup> /mg)
<a href="#">ADS1282-SP</a>	50	50 at 125°C, 60 at 80°C
<a href="#">LMP7704-SP</a>	100	85
<a href="#">TPS7A4501-SP</a>	100	86

### 3 Hardware, Software, Testing Requirements, and Test Results

#### 3.1 Hardware Requirements


The following three pieces of hardware needed to evaluate the accuracy of the series RTDs temperature sensing system:

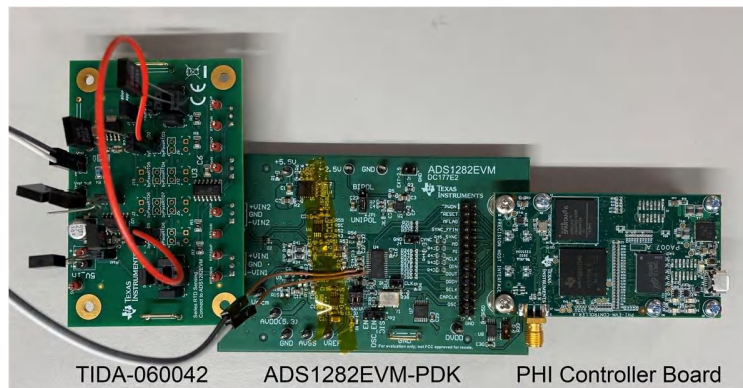
- TIDA-060042: the RTD board that connects 10 RTDs in series and outputs differential RTD voltages as well as the reference voltage.  shows the schematic of TIDA-060042.



 3-1. TIDA-060042 Schematic

- [ADS1282EVM-PDK](#): the [ADS1282-SP](#) evaluation module. Modification is needed on the evaluation module such that Analog Front End (AFE) is bypass and Vref is directly provided by TIDA-060042.
- PHI Controller board: this board comes with [ADS1282EVM-PDK](#). The board provides a convenient communication interface to [ADS1282EVM-PDK](#) over a USB 2.0 (or higher) for power delivery as well as digital input and output

 3-2 shows an image with all three pieces of hardware connected.



 3-2. Hardware Setup

#### 3.2 Software Requirements

The [ADS1282EVM-PDK](#) graphical user interface (GUI) is needed to evaluate TIDA-060042. This GUI software includes graphical tools for data capture, histogram analysis, spectral analysis, and linearity analysis. This GUI also has a provision for exporting data to a text file for post-processing. Refer to the [ADS1282EVM-PDK](#) user guide for more information.



### 3.3 Test Setup

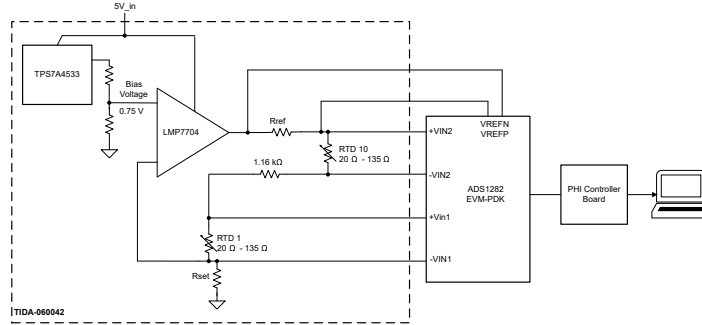


图 3-3. Lab Setup to Simulate Temperature Measurement

图 3-3 illustrates the block diagram of the lab setup for simulating temperature measurement. The purpose of this setup is to record RTD1 and RTD10's differential voltages. These two RTDs have the highest (High Vcm) and lowest (Low Vcm) common mode voltages, respectively. All RTDs are connected in series and current is biased by Rset. During data collection, Rset is set to three different values thus three sets of data are collected. Following equations in Section 2.2.2, with  $I_{RTD}$  set to 0.497 mA, 0.995 mA, and 1.49 mA, the Rset, Rref, Gain, and % positive FSR used are calculated and illustrates in 表 3-1.

表 3-1. Test Setup with Different  $I_{RTD}$

	Setup 1	Setup 2	Setup 3
$I_{RTD}$ [mA]	0.497	0.995	1.49
Rset [ $\Omega$ ]	4.5k	750	500
Rref [ $\Omega$ ]	4.76k	2.18k	1.1k
Gain	16	8	4
% positive FSR used	90.8%	99.1%	98.2%

图 3-4 illustrates how (circled in red) to modify PGA gain, configure mux, and read the returned codes on GUI.

图 3-4. ADS1282EVM-PDK GUI Setting

The ADS1282EVM-PDK GUI returns values with 2 formats, codes and voltage. The codes is a 31 bits data and is used to calculate RTD resistance with the following equation, and the calculated value is compared with the actual resistor value for error analysis.

$$RTD \text{ Resistance} = \frac{\text{Codes}}{\text{Gain} \times 2^{31}} \times R_{ref} \quad (5)$$

### 3.4 Test Results

Figure 3-5 to Figure 3-7 illustrates the RTD resistance measurement percent error. Through out all three sets of collected data, the common mode voltage ( $V_{cm}$ ) have a small effect on the result. All captured data shown in Figure 3-7 have percent error less than 0.07% error. Therefore, it is recommended to bias the RTD current at around 1.5 mA for the best performance.

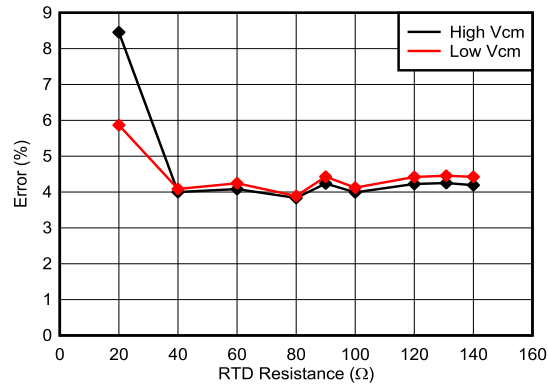


Figure 3-5. Temperature Measurement Accuracy with  $I_{RTD} = 0.5$  mA

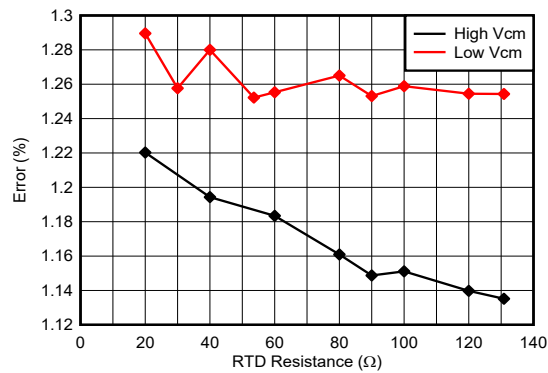


Figure 3-6. Temperature Measurement Accuracy with  $I_{RTD} = 1$  mA

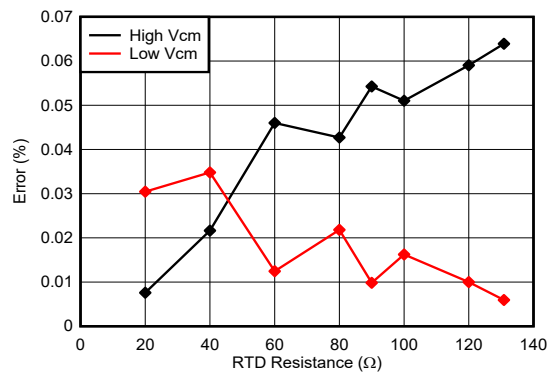


Figure 3-7. Temperature Measurement Accuracy with  $I_{RTD} = 1.5$  mA



## 4 Design and Documentation Support

### 4.1 Design Files

#### 4.1.1 Schematics

To download the schematics, see the design files at [TIDA-060042](#).

#### 4.1.2 BOM

To download the bill of materials (BOM), see the design files at [TIDA-060042](#).

### 4.2 Documentation Support

1. Texas Instruments, [ADS1282-SP High-resolution analog-to-digital converter \(ADC\) data sheet](#)
2. Texas Instruments, [ADS1282EVM-PDK ADS1282 performance demonstration kit data sheet](#)

### 4.3 サポート・リソース

[TI E2E™ サポート・フォーラム](#)は、エンジニアが検証済みの回答と設計に関するヒントをエキスパートから迅速かつ直接得ることができる場所です。既存の回答を検索したり、独自の質問をしたりすることで、設計に必要な支援を迅速に得ることができます。

リンクされているコンテンツは、該当する貢献者により、現状のまま提供されるものです。これらは TI の仕様を構成するものではなく、必ずしも TI の見解を反映したものではありません。TI の[使用条件](#)を参照してください。

### 4.4 Trademarks

TI E2E™ are trademarks of Texas Instruments.  
すべての商標は、それぞれの所有者に帰属します。

## 5 About the Author

**Jiajun Guan** is a system engineer at Texas Instruments, where he is responsible for developing system designs for the Aerospace and Defense sector. Jiajun has been with TI since 2021. Jiajun earned his Electrical Engineering Bachelor and Masters degrees from California Polytechnic State University.

## 重要なお知らせと免責事項

TI は、技術データと信頼性データ(データシートを含みます)、設計リソース(リファレンス・デザインを含みます)、アプリケーションや設計に関する各種アドバイス、Web ツール、安全性情報、その他のリソースを、欠陥が存在する可能性のある「現状のまま」提供しており、商品性および特定目的に対する適合性の黙示保証、第三者の知的財産権の非侵害保証を含むいかなる保証も、明示的または黙示的にかかわらず拒否します。

これらのリソースは、TI 製品を使用する設計の経験を積んだ開発者への提供を意図したものです。(1) お客様のアプリケーションに適した TI 製品の選定、(2) お客様のアプリケーションの設計、検証、試験、(3) お客様のアプリケーションに該当する各種規格や、その他のあらゆる安全性、セキュリティ、規制、または他の要件への確実な適合に関する責任を、お客様のみが単独で負うものとし、

上記の各種リソースは、予告なく変更される可能性があります。これらのリソースは、リソースで説明されている TI 製品を使用するアプリケーションの開発の目的でのみ、TI はその使用をお客様に許諾します。これらのリソースに関して、他の目的で複製することや掲載することは禁止されています。TI や第三者の知的財産権のライセンスが付与されている訳ではありません。お客様は、これらのリソースを自身で使用した結果発生するあらゆる申し立て、損害、費用、損失、責任について、TI およびその代理人を完全に補償するものとし、TI は一切の責任を拒否します。

TI の製品は、[TI の販売条件](#)、または [ti.com](https://www.ti.com) やかかる TI 製品の関連資料などのいずれかを通じて提供する適用可能な条項の下で提供されています。TI がこれらのリソースを提供することは、適用される TI の保証または他の保証の放棄の拡大や変更を意味するものではありません。

お客様がいかなる追加条項または代替条項を提案した場合でも、TI はそれらに異議を唱え、拒否します。

郵送先住所 : Texas Instruments, Post Office Box 655303, Dallas, Texas 75265

Copyright © 2022, Texas Instruments Incorporated