

Design Guide: TIDA-01405

最高 125°C で動作する、3.0V~15.2V 入力、2A、-1.8V の反転電源モジュールのリファレンス・デザイン



概要

TIDA-01405 では、3V~15.2V の入力電圧から、最大電流 2A の -1.8V レールを生成する、反転電源モジュール (電圧インバータ) の設計例を紹介します。このような負の電圧は、多くの通信機器システムに加えて、テストおよび測定用などの産業用機器に必要とされます。TPS82130 電源モジュールを使用することで、非常にシンプルな負電圧インバータ (反転降圧) が設計でき、2A の大電流で負側 1.8V の出力電圧を作り出すことができます。

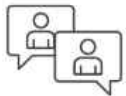
リソース

TIDA-01405

デザイン・フォルダ

TPS82130

プロダクト・フォルダ



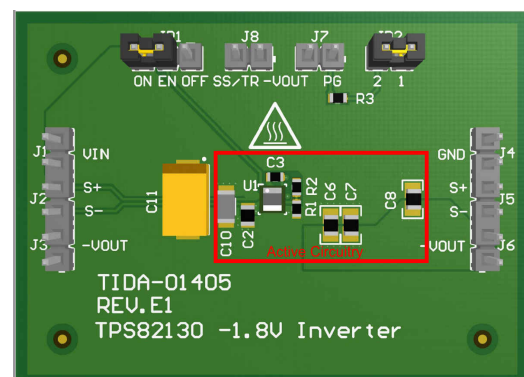
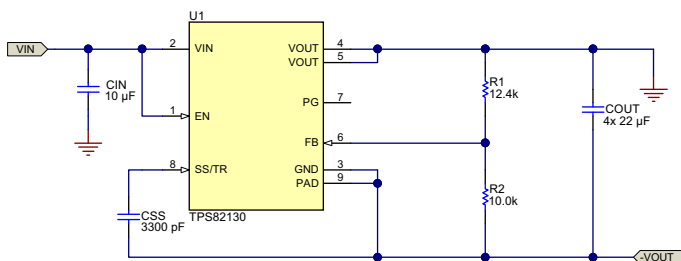
Ask our TI E2E™ support experts

特長

- シンプルな電源モジュール設計
- ソリューションの合計サイズは 50mm² 未満
- 大きな出力電流: 2A ($V_{IN} \geq 5V$)
- 広い入力電圧範囲: 3V~15.2V
- 低ノイズ (出力リップル 10mV 未満)
- 125°C 定格のソリューション

アプリケーション

- 通信インフラ
- ワイヤレス・インフラ
- 試験 / 測定機器
- シグナル・アナライザ
- ファンクション・ジェネレータ



1 System Overview

1.1 System Description

A negative voltage around -1.8 V is frequently required to bias the digital-to-analog (DAC) data converter in high-performance communications equipment systems, such as base stations and remote radio units. Data converters, such as the [DAC38RF80](#) family of devices, require a negative voltage bias to power the current source array for the current sink output architecture. The 2 A of current provided in this reference design is sufficient to power multiple data converters in a single telecom system, which reduces the number of power supplies and their cost. The wide input voltage range supports many of the different supply voltages available in such systems. This enables the same design to be re-used for different systems which have different input voltages. The low noise and low output ripple enable a clean RF signal without distortion and does not limit the dynamic range of the data converter.

A negative voltage is also required in certain industrial applications, such as test and measurement, to power the same data converters. In addition, this negative voltage is useful for biasing operational amplifiers (op amps). In both applications, an integrated power module shortens the design time and enables a very-small solution size, while the low output noise has a minimal effect on the actual signal.

1.2 Key System Specifications

表 1-1. Key System Specifications

PARAMETER	SPECIFICATIONS	DETAILS
Input voltage range (V_{IN})	3 V to 15.2 V	—
Output voltage (V_{OUT})	-1.8 V	—
Output current ($V_{IN} \geq 5\text{ V}$)	2 A	☒ 3-1
Output current ($V_{IN} = 3\text{ V}$)	1 A	☒ 3-1

1.3 Highlighted Products

1.3.1 TPS82130

The TPS82130 is a 3-A, step-down converter power module, which integrates the power inductor to achieve a very-small solution size and simple design. The power module accepts up to a 17-V input voltage from its input pin to ground pin. This wide input voltage range is ideally suited for an inverting converter, which, at a minimum, requires a voltage rating of the input voltage plus the output voltage.

1.4 Design Considerations

1.4.1 Inverting Buck-Boost Topology Concept

The inverting buck-boost topology is very similar to the buck topology. In the buck configuration that [☒ 1-1](#) shows, the positive connection (V_{OUT}) is connected to the VOUT pin of the power module and the return connection is connected to the ground (GND) of the power module. However, in the inverting buck-boost configuration that [☒ 1-2](#) shows, the power module ground is used as the negative output voltage pin (labeled as $-V_{OUT}$). The terminal formerly known as the positive output in the buck configuration is used as the ground. This inverting topology allows the output voltage to be inverted and always lower than the ground.

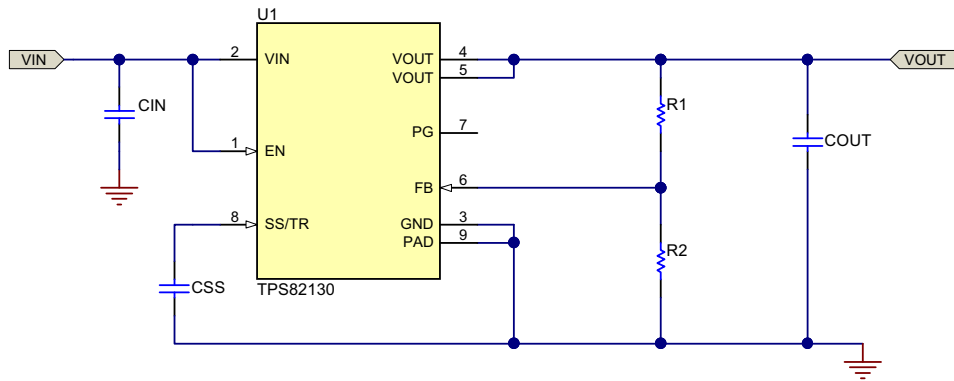


図 1-1. TPS82130 Buck Topology

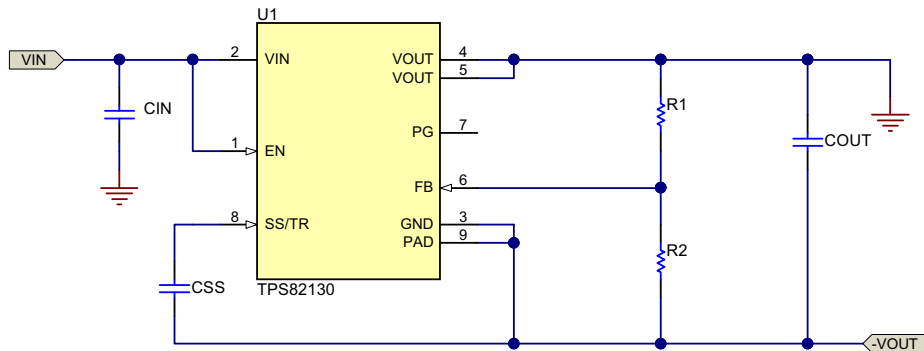


図 1-2. TPS82130 Inverting Buck-Boost Topology

The circuit operation is different in the inverting buck-boost topology than in the buck topology. 図 1-3 (a) shows that the output voltage terminals are reversed, though the components are wired the same as a buck converter. As 図 1-3 (b) shows, during the ON-time of the control MOSFET, the inductor is charged with current while the output capacitor supplies the load current. The inductor does not provide current to the load during this time. During the OFF-time of the control MOSFET and the ON-time of the synchronous MOSFET (see 図 1-3 (c)), the inductor provides current to the load and the output capacitor. These changes affect many parameters, which the following subsections describe in further detail.

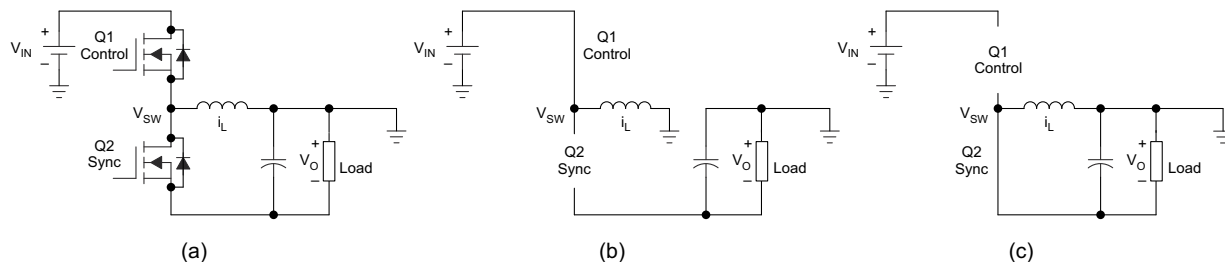


図 1-3. Inverting Buck-Boost Configuration

The average inductor current is affected in this topology. In the buck configuration, the average inductor current is equal to the average output current because the inductor always supplies current to the load during both the ON- and OFF-times of the control MOSFET. However, in the inverting buck-boost configuration, only the output capacitor supplies the load with current, while the load is completely disconnected from the inductor during the ON-time of the control MOSFET. During the OFF-time, the inductor connects to both the output capacitor and the load (see 図 1-3). Because the OFF-time is $1 - D$ of the switching period, the average inductor current in 式 1 is calculated as:

$$I_{L(\text{Avg})} = \frac{I_{\text{OUT}}}{(1 - D)} \quad (1)$$

The duty cycle for the typical buck converter is simply $V_{\text{OUT}} / V_{\text{IN}}$, but the calculation of the duty cycle in 式 2 for an inverting buck-boost converter becomes:

$$D = \frac{V_{\text{OUT}}}{(V_{\text{OUT}} - V_{\text{IN}})} \quad (2)$$

式 3 provides the peak-to-peak inductor ripple current:

$$\Delta I_L = \frac{V_{\text{IN}} D}{f_S L} \quad (3)$$

where:

- ΔI_L (A): Peak-to-peak inductor ripple current
- D: Duty cycle
- f_S (MHz): Switching frequency
- L (μH): Inductor value of typically 1 μH
- V_{IN} (V): Input voltage with respect to ground, not with respect to the device ground or V_{OUT} .

式 4 calculates the maximum inductor current:

$$I_L = I_{L(\text{avg})} + \frac{\Delta I_L}{2} \quad (4)$$

1.4.2 V_{IN} and V_{OUT} Range

The input voltage that can be applied to an integrated circuit (IC) operating in the inverting buck-boost topology is less than the input voltage for the same IC operating in the buck topology. The reason for this difference is because the ground pin of the IC is connected to the (negative) output voltage. Therefore, the input voltage across the device is V_{IN} to V_{OUT} , not V_{IN} to ground. Thus, the input voltage range of the TPS82130 is 3 V to 17 V + V_{OUT} , where V_{OUT} is a negative value.

The output voltage range is the same as when configured as a buck converter, but negative. The output voltage for the inverting buck-boost topology must be set between -0.9 V and -6 V. The output voltage is set in the same way as the buck configuration, with two resistors connected to the FB pin. Use the same equation in the TPS82130 datasheet to set the output voltage, keeping both V_{OUT} and V_{FB} as positive values. The TIDA-01405 design sets the output voltage at -1.8 V, which gives an input voltage range of 3 V to 15.2 V.

1.4.3 Maximum Output Current

In the inverting buck-boost topology, the maximum output current is reduced as compared to the buck topology. This reduction is a result of the peak inductor current being higher, as calculated in 式 4. With a power module, there are additional thermal limits arising from the small size of the power module itself. Finally, there are further limits on the maximum output current which occur from stability due to the right-half plane zero, which occurs in the inverting buck-boost topology. 図 3-1 shows the maximum output current based on temperature rise and stability for the TIDA-01405 design. The current limit for the TPS82130 device occurs above all curves in 図 3-1 and therefore does not limit the maximum output current more than thermal or stability limits. The current limit itself still operates to limit the peak inductor current.

1.4.3.1 Thermal Limits

The primary maximum output current limitation in most designs is a thermal limitation. As the output current increases, the absolute power loss (in mW) in the TPS82130 also increases, which causes a higher temperature rise across the thermal impedance of the TPS82130 device.

The TPS82130 data sheet recommends operating below a device temperature of 110°C and forbids operating above 125°C for reliability. Therefore, 図 3-1 contains two thermal limit lines: one for a 110°C and one for a

4 最高 125°C で動作する、 $3.0\text{V} \sim 15.2\text{V}$ 入力、 2A 、 -1.8V の反転電源モジュールのリ
ファレンス・デザイン

125°C operating temperature. These lines are calculated by multiplying the power loss of the TPS82130 from [Figure 3-2](#) by the θ_{JA} of the TPS82130EVM-720, which is provided in the device data sheet as 46.1 °C/W, and adding this value to a 25°C ambient temperature.

Using this method, the maximum output current at any ambient temperature can be calculated. Simply subtract the maximum ambient temperature from either 110°C or 125°C to obtain the allowable temperature rise. Divide the θ_{JA} of the printed circuit board (PCB) by this temperature rise to obtain the allowable power loss. Find this power loss in [Figure 3-2](#) to determine the maximum output current under specific conditions. 46.1°C/W is useful as an estimate of θ_{JA} . See [Equation 5](#) for the calculation.

$$P_{\text{LOSS}} \leq \frac{125 - T_{A_MAX}}{\theta_{JA}} \quad (5)$$

1.4.3.2 Stability Limits and Output Capacitor Selection

The 'Recommended' curve in [Figure 3-1](#) shows the recommended maximum output current based on stability. The TIDA-01405 design should be operated at load currents below this line. In most applications, which have ambient temperatures above 25°C, the thermal limit lines move down below the 'Recommended' line (as explained in [Section 1.4.3.1](#)) and thus further limit the maximum output current.

The inverting buck-boost topology contains a right-half plane zero which significantly and negatively impacts the control loop response by adding an increase in gain along with a decrease in phase at a high frequency. This right-half plane zero can cause instability. [Equation 6](#) estimates the frequency of the right-half plane zero.

$$f_{(RHP)} = \frac{-(1-D)^2 \times V_{OUT}}{(D \times L \times I_{OUT} \times 2 \times \pi)} \quad (6)$$

The TIDA-01405 design uses four 22- μ F output capacitors, which have an effective capacitance of about 72 μ F at the -1.8-V output voltage. This amount of capacitance pushes the crossover frequency of the control loop down to frequencies low enough so that the right-half plane zero is sufficiently higher in frequency for stability. While one of these output capacitors requires placement near the TPS82130 device, the others can be placed at the point of load and serve as their input decoupling capacitor. When three of the output capacitors are placed at the point of load, the solution size is below 50 mm². If these three capacitors are included, the solution size of all components shown within the 'Active Circuitry' box on page 1 becomes around 75 mm².

More output capacitance improves stability by increasing the separation between the right-half plane zero and crossover. The right-half plane zero frequency occurs at lower frequencies with lower input voltages, which have a higher duty cycle. Load transient testing is the best test for stability, as described in the [Simplifying Stability Checks](#) application report. Because the VOS pin of the TPS82130 is connected on the device, it is impossible to break the entire control loop and measure a bode plot.

1.4.4 Design Precautions

When using TPS82130 module for an inverting buck-boost application, there is a risk if the VIN and EN pins are connected together directly.

The inverting buck-boost is commonly used to power the negative side of a differential rail. If the positive rail is applied to this differential rail first, the downstream devices activate and their I_q charges a positive prebias voltage on the negative rail. Input brownout and quick power cycles are other scenarios that can prebias the negative rail and cause startup issues. With VIN and EN tied together, the device may enable before it has time to initialize internal circuitry which can cause unexpected startup behavior or cause the device to get stuck. Ensuring that the EN pin is asserted after VIN is powered on would eliminate this issue robustly.

There are three proposed workarounds to avoid this issue:

The first suggestion is to adjust the system power up sequence to prevent the unintended voltage buildup on the negative rail. This means enabling the negative rail first so that it is able to start up correctly, then enabling the positive rail. Adjusting the power on sequence this way will ensure that TPS82130 as inverting buck-boost converter has a correct startup.

If the application relies on the device enabling with VIN, then an RC filter is required to add a delay between VIN and EN pin. This ensures that the device has enough time to initialize the internal circuitry before the device is enabled to start regulating the output. The 100 kΩ and 1 μF RC filter provides the necessary delay between the VIN and EN pins for device's initialization. An example of this schematic modification is shown in two different options. One using a series resistor to limit the current into the EN pin [Figure 1-4](#) and another using a schottky diode to clamp the EN pin [Figure 1-5](#). When using the schottky diode option, the forward voltage drop should be selected less than 0.3 V so that the device doesn't exceed the absolute maximum rating on the EN pin.

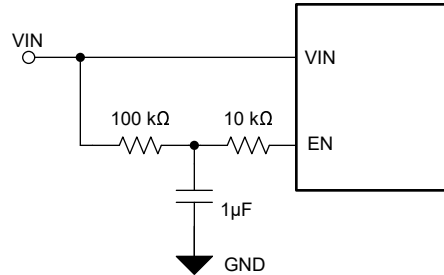


Figure 1-4. EN Pin Delay Using an RC Filter and Series Resistor

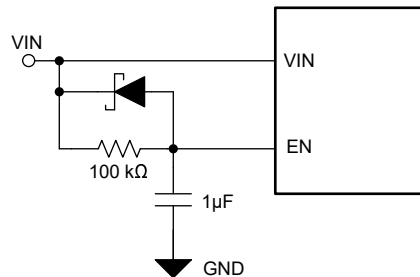


Figure 1-5. EN Pin Delay Using an RC Filter and Schottky Diode

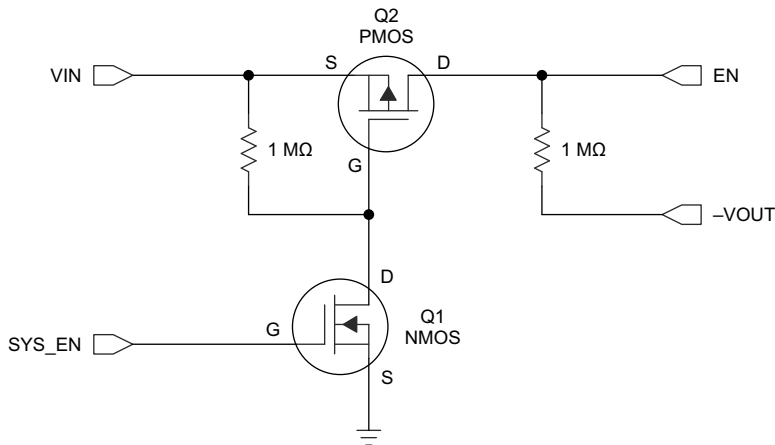
Lastly, if the application requires enabling and disabling of the device from an external control signal, like a microcontroller or PG pin from an upstream device, then the order of power sequence is important. During power up, Vin must be applied before the EN signal and during power down, the EN pin should go low before Vin is removed. This ensures that EN pin does not exceed the maximum rating of $V_{IN} + 0.3 \text{ V}$, which can damage the device. See [Section 1.4.5](#) for more information on level shifting the digital inputs.

1.4.5 Enable Pin Configuration

The device is enabled when the voltage at the EN pin trips its threshold and the input voltage is above the undervoltage lockout (UVLO) threshold. The TPS82130 device stops operation when the voltage on the EN pin falls below its threshold or the input voltage falls below the UVLO threshold.

Because V_{OUT} is the IC ground in this configuration, the EN pin must be referenced to V_{OUT} instead of ground. In the buck configuration, 0.9 V is considered as high and less than 0.3 V is considered as low. In the inverting buck-boost configuration, however, the V_{OUT} voltage is the reference; therefore, the high threshold is $0.9 \text{ V} + V_{OUT}$ and the low threshold is $0.3 \text{ V} + V_{OUT}$. For example, if $V_{OUT} = -1.8 \text{ V}$, then V_{EN} is considered at a high level for voltages above -0.9 V and a low level for voltages below -1.5 V .

This behavior can cause difficulties enabling or disabling the part because, in some applications, the IC providing the EN signal may not be able to produce negative voltages. The level-shifter circuit that [Figure 1-6](#) shows removes any difficulties associated with the offset EN threshold voltages by eliminating the requirement for negative EN signals. If disabling the TPS82130 is not desired, the EN pin may be directly connected to V_{IN} without this circuit.



V_{OUT} is the negative output voltage of the inverting buck-boost converter

図 1-6. EN Pin Level Shifter

The positive signal that originally drove EN is instead tied to the gate of Q1 (SYS_EN). When Q1 is OFF (SYS_EN grounded), Q2 has 0 V across its V_{GS} and also remains OFF. In this state, the EN pin is initially at the level of the output voltage (–1.8 V), which is below the low-level threshold, and disables the device.

When SYS_EN provides enough positive voltage to turn Q1 ON (V_{GS} threshold as specified in the MOSFET datasheet), the gate of Q2 is at ground potential through Q1. This action drives the V_{GS} of Q2 negative and turns Q2 ON. Then V_{IN} ties to EN through Q2 and the pin is above the high-level threshold, which turns the device ON. Be careful to ensure that the V_{GD} and V_{GS} of Q2 remain within the MOSFET ratings during both the enabled and disabled states. Failing to adhere to this constraint can result in damaged MOSFETs.

図 3-17 and 図 3-18 show the enable and disable sequence. The SYS_EN signal activates the enable circuit and the G/D node signal represents the shared node between Q1 and Q2. This circuit has been tested with a 3.3-V SYS_EN signal and dual N/PFET Si1029X. The EN signal is the output of the circuit and goes from V_{IN} to V_{OUT} to properly enable and disable the device. The PG pin is used as an output discharge to accelerate the return of V_{OUT} to 0 V, when the IC is disabled.

1.4.6 Power Good Pin Configuration

The TPS82130 has a built-in power good (PG) function to indicate whether the output voltage has reached its appropriate level or not. The PG pin is an open-drain output that requires a pullup resistor. Because V_{OUT} is the IC ground in this configuration, the PG pin is referenced to V_{OUT} instead of ground, which means that the TPS82130 device pulls PG to V_{OUT} when it is low.

This behavior can cause difficulties in reading the state of the PG pin, because in some applications the IC detecting the voltage level of the PG pin may not be able to withstand negative voltages. The level-shifter circuit shown in 図 1-7 removes any difficulties associated with the offset PG pin voltages by eliminating the negative output signals of the PG pin. If the PG pin functionality is not required, it may be left floating or connected to V_{OUT} without this circuit. Note that to avoid violating its absolute maximum rating, the PG pin should not be driven more than 6 V above the negative output voltage (IC ground).

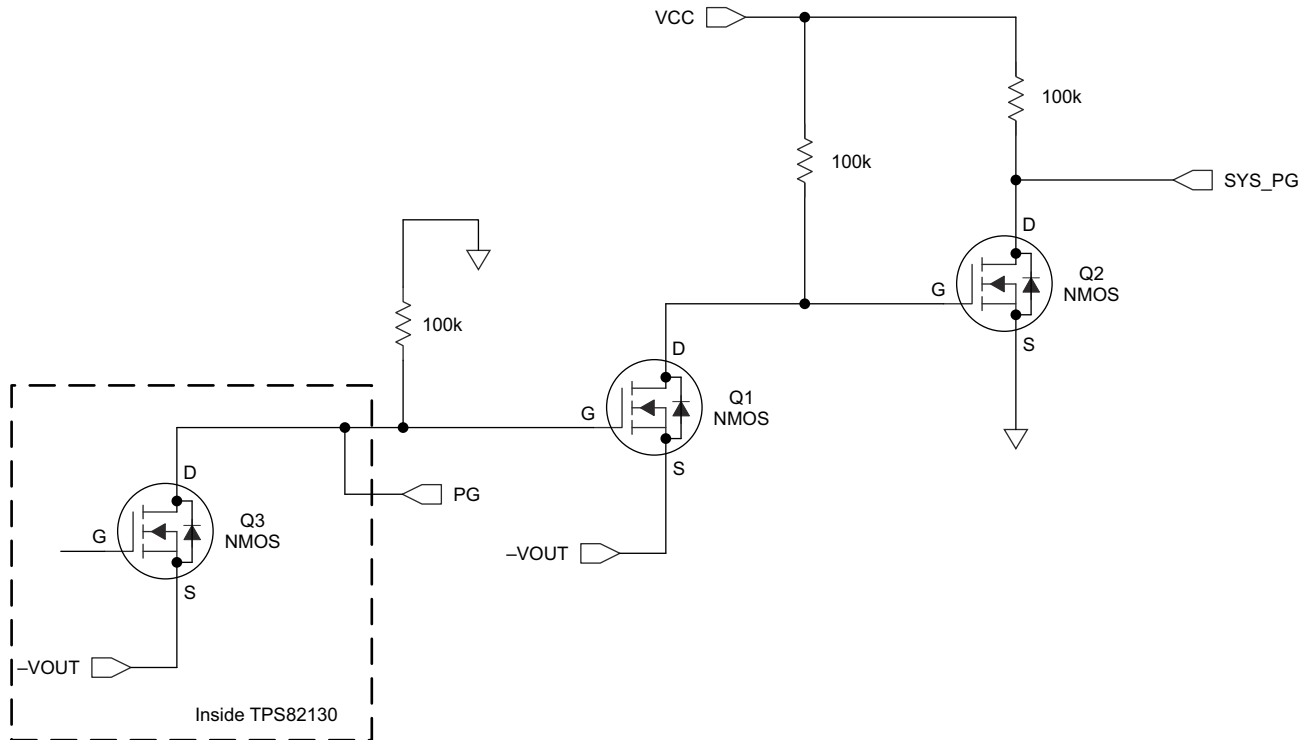


図 1-7. PG Pin Level Shifter

Inside the TPS82130, the PG pin is connected to an N-channel MOSFET (Q3). By tying the PG pin to the gate of Q1, when the PG pin is pulled low, Q1 is off and Q2 is on because Q2's V_{GS} is at V_{CC} . SYS_PG is then pulled to ground.

When Q3 turns OFF, the gate of Q1 is pulled to ground potential which turns Q1 ON. This sequence of events pulls the gate of Q2 below ground, which turns it OFF. SYS_PG is then pulled up to the V_{CC} voltage. Note that the V_{CC} voltage must be at an appropriate logic level for the circuitry connected to the SYS_PG net.

図 3-19 and 図 3-20 show this PG pin level-shifter sequence. The PG signal activates the PG pin level-shifter circuit and the G/D node signal represents the shared node between Q1 and Q2. This circuit has been tested with a V_{CC} of 5 V and dual NFET Si1902DL. The SYS_PG net is the output of the circuit and goes between ground and 5 V and is easily read by a separate device.

1.4.7 Discharging Output Voltage

If the TPS82130 device is disabled in a light-load or no-load condition, the PG pin can accelerate return of V_{OUT} to 0 V by providing an additional discharge path. When the IC has been disabled through the EN pin, the PG pin is connected to the device ground ($-V_{OUT}$) through an internal MOSFET. Placing a resistor between ground and the PG pin creates a discharge path to ground.

The added resistor must be sized to limit the current into the PG pin to a safe level, which the TPS82130 datasheet specifies as 10 mA maximum. A 200- Ω PG resistor has been chosen for this -1.8 -V output voltage.

1.4.8 Input Capacitor Selection

An input capacitor, C_{IN} , is required to provide a local bypass for the input voltage source. A low equivalent series resistance (ESR) X5R or X7R ceramic capacitor is best for input voltage filtering and minimizing interference with other circuits. For most applications, a 10- μ F ceramic capacitor is recommended from V_{IN} to ground (system ground, not $-V_{OUT}$). The C_{IN} capacitor value can be increased without any limit for better input voltage filtering.

For the inverting buck-boost configuration of the TPS82130, TI does not recommend to install a capacitor from V_{IN} to $-V_{OUT}$. Such a capacitor, if installed, provides an AC path from V_{IN} to $-V_{OUT}$. When V_{IN} is applied to the circuit, this dV/dt across a capacitor from V_{IN} to $-V_{OUT}$ creates a current that must return to ground (the return of the input supply) to complete its loop. This current may flow through the body diode of the internal low-side MOSFET and the inductor to return to ground. Flowing through the body diode pulls the V_{OUT} pin below IC

ground, which violates its absolute maximum rating. Such a condition may damage the TPS82130 and is not recommended; therefore, a capacitor from V_{IN} to $-V_{OUT}$ is not required or recommended. If such a capacitor (CBP) is present, then a Schottky diode must be installed on the output, as the schematic in [Figure 1-8](#) shows.

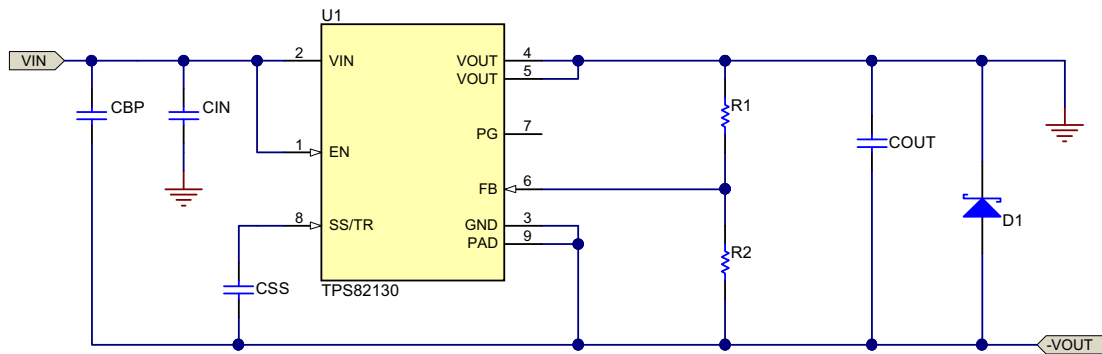


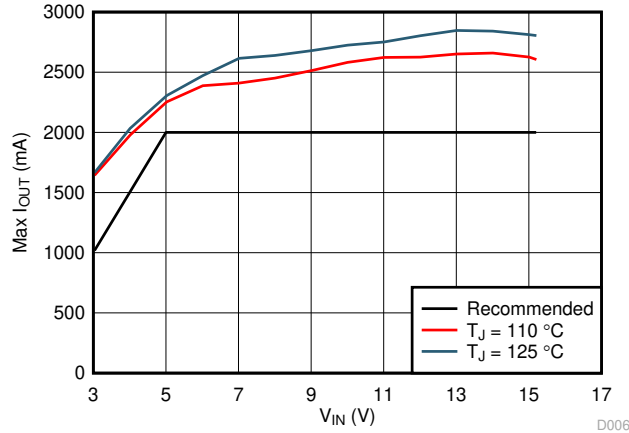
Figure 1-8. Installation of Schottky Diode D1 Required, if Installing CBP

2 Getting Started Hardware

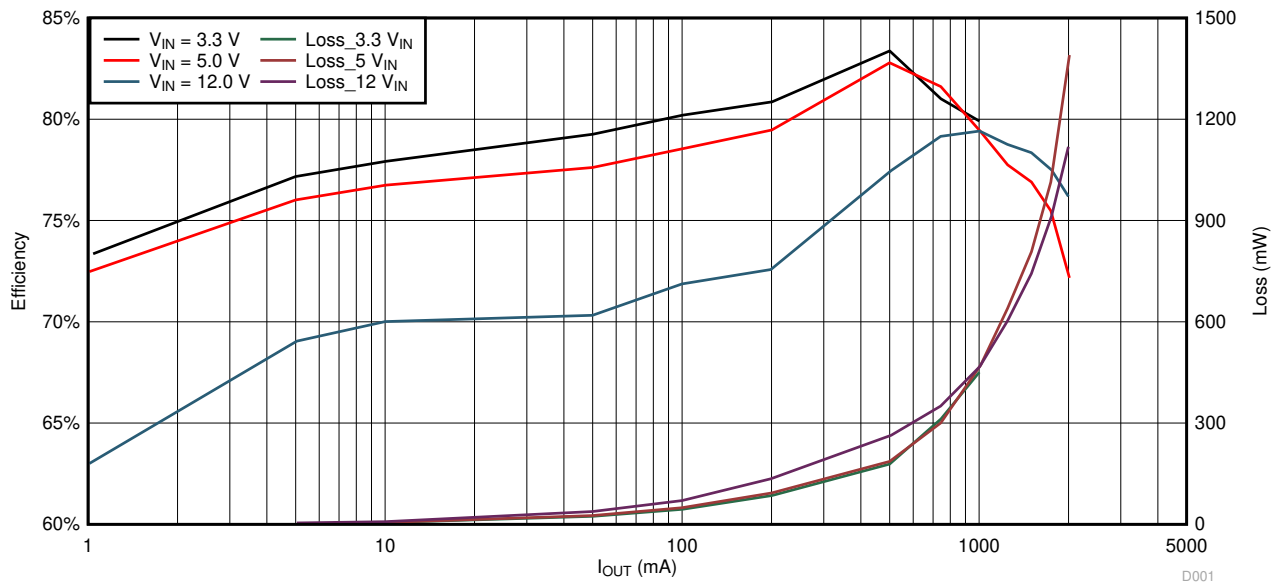
To test this TI Design, simply apply an input voltage between the J1 and J4 connectors. Then, connect a jumper between ON and EN on JP1.

3 Testing and Results

3.1 Test Results



☒ 3-1. Maximum Output Current



☒ 3-2. Efficiency Over Load

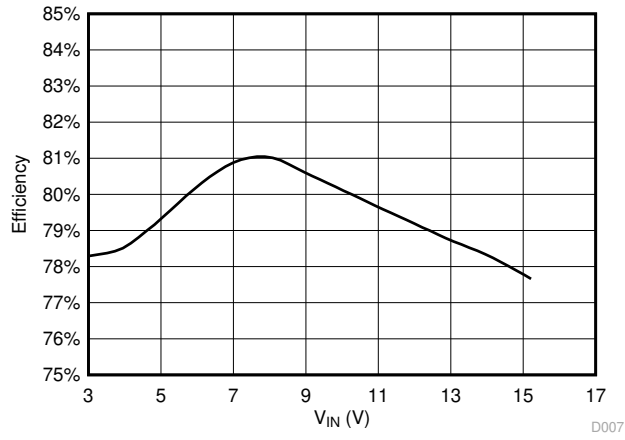


図 3-3. Efficiency Over V_{IN} (1-A Load)

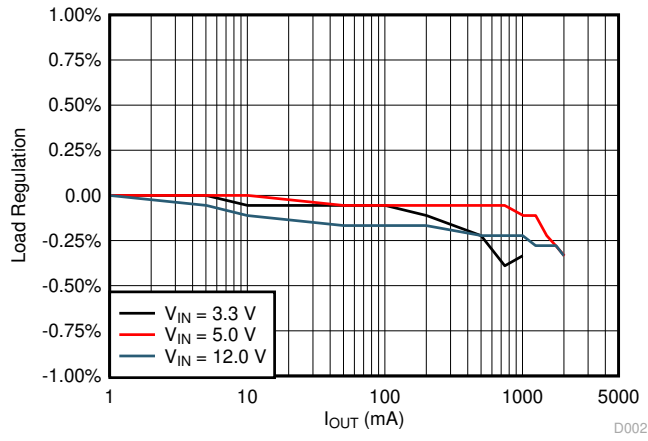


図 3-4. Load Regulation

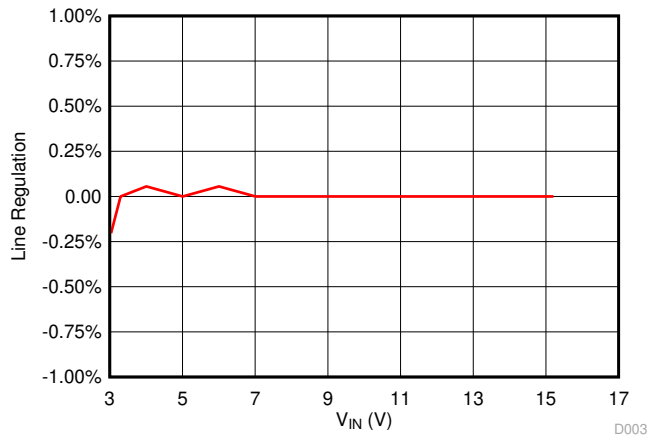


図 3-5. Line Regulation (1-A Load)

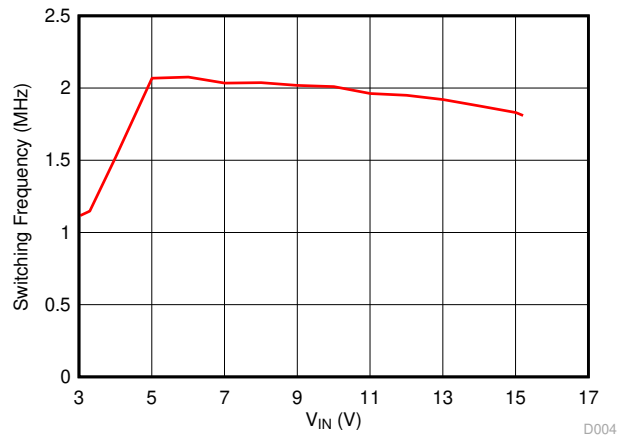


図 3-6. Switching Frequency Over V_{IN} (1-A Load)

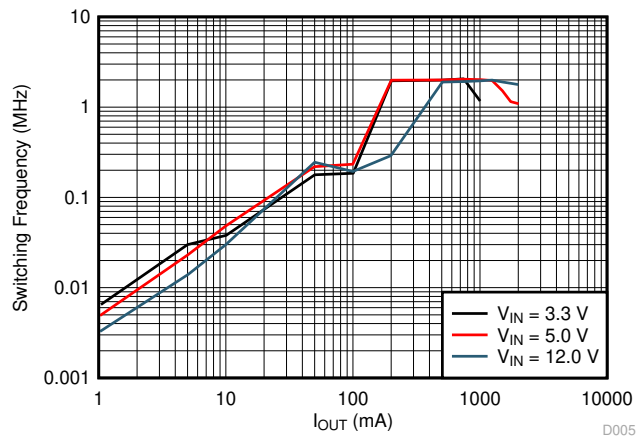


図 3-7. Switching Frequency Over Load

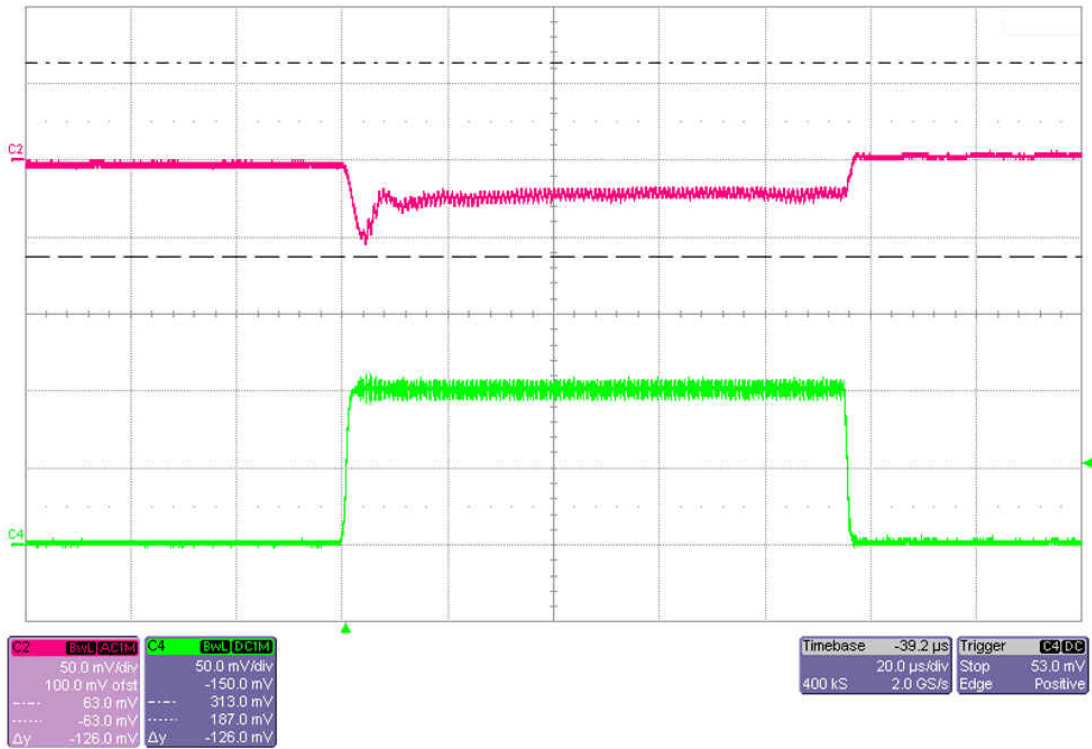


図 3-8. Transient Response (3.3 V_{IN} , 0-A to 1-A Load Step)



図 3-9. Transient Response (5 V_{IN} , 0-A to 1-A Load Step)

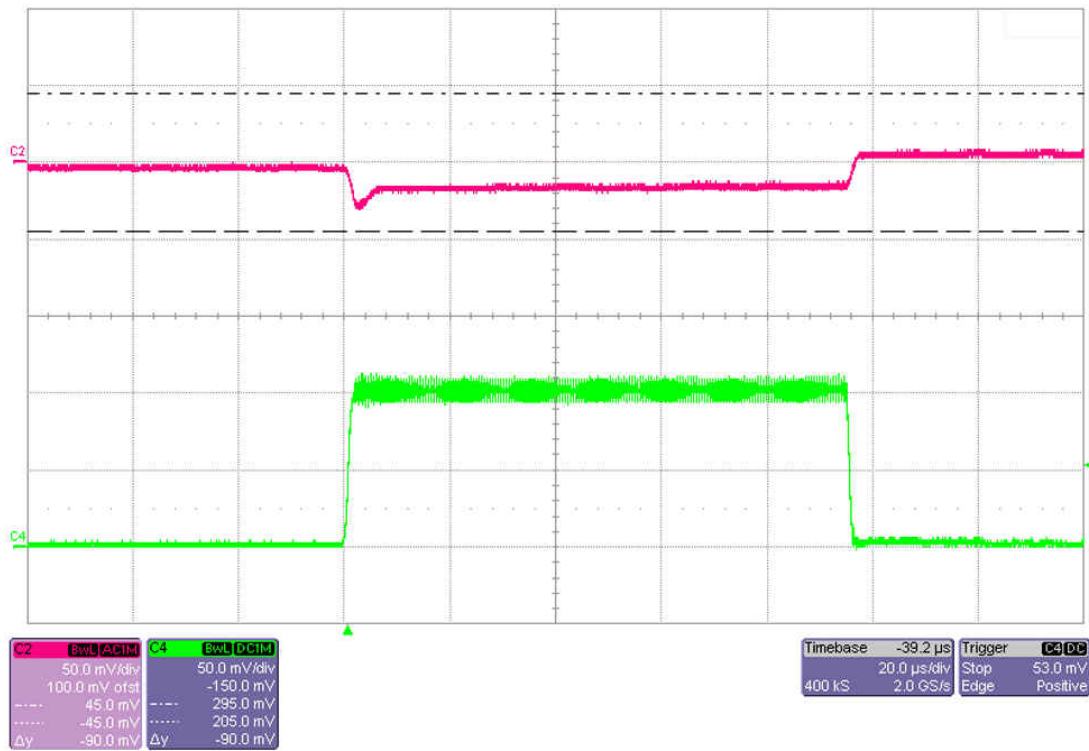


図 3-10. Transient Response (12 V_{IN}, 0-A to 1-A Load Step)

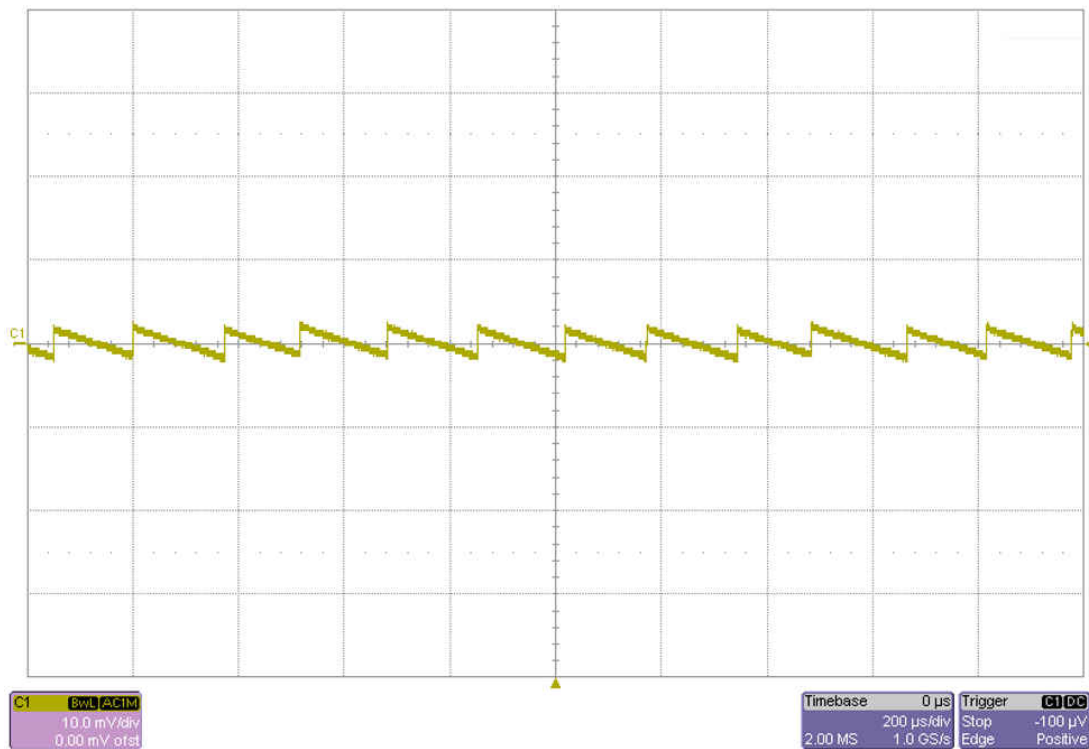


図 3-11. Output Voltage Ripple (3.3 V_{IN}, 1-mA Load)

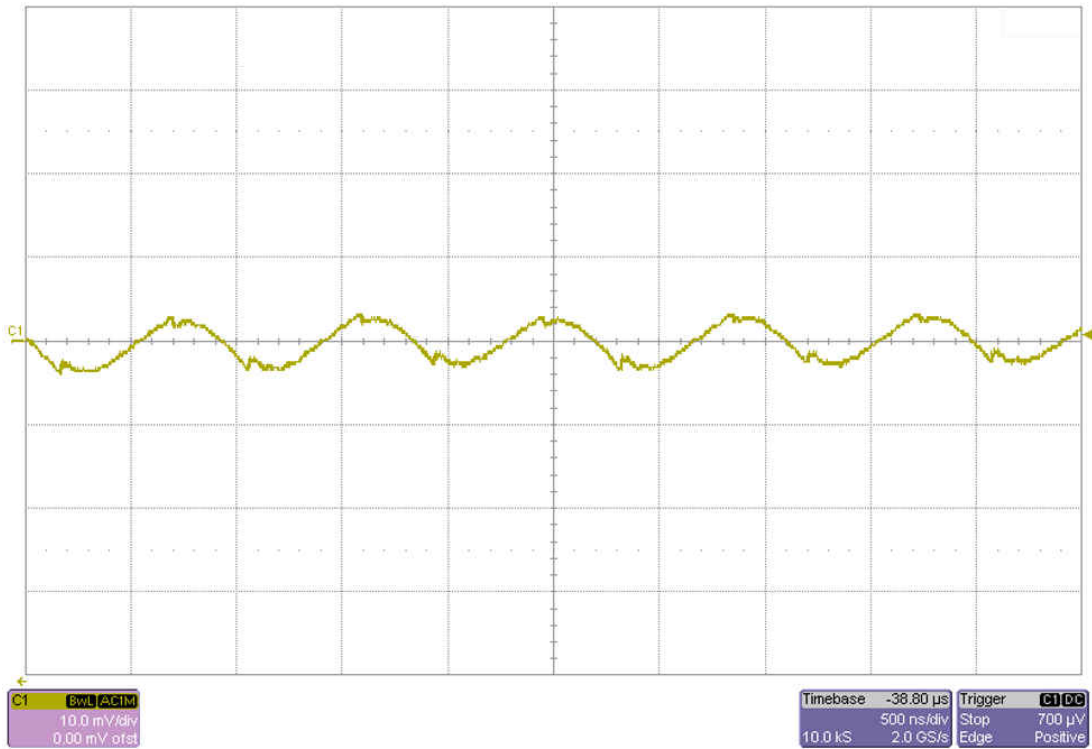


図 3-12. Output Voltage Ripple (3.3 V_{IN} , 1-A Load)

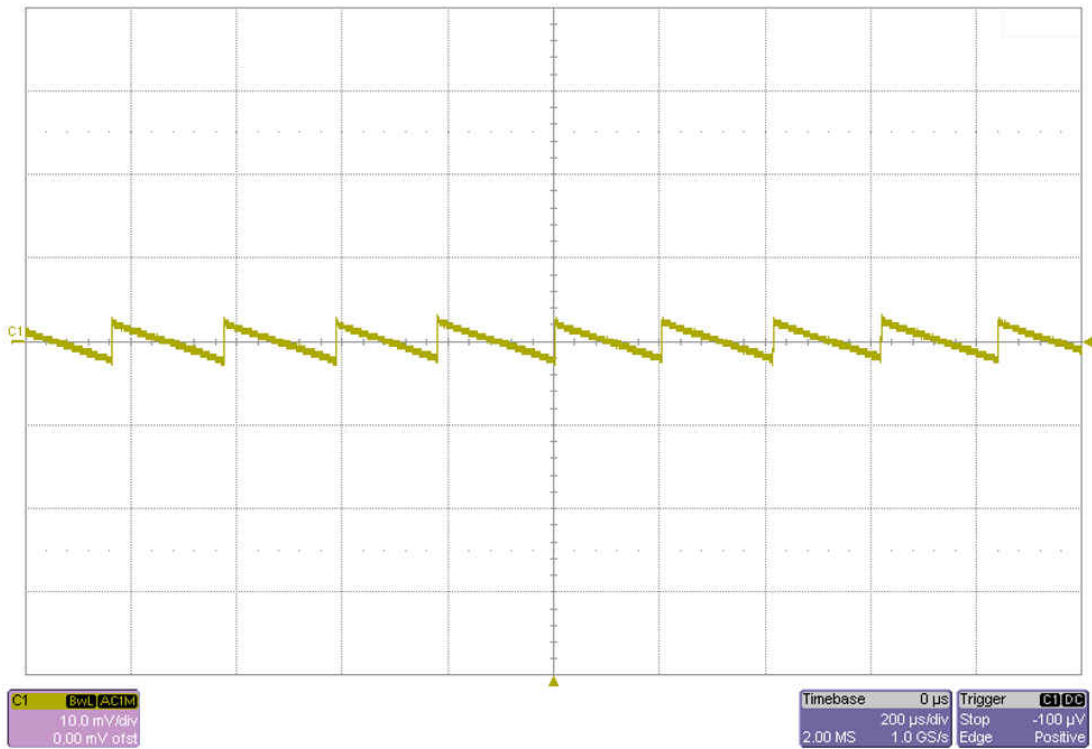


図 3-13. Output Voltage Ripple (5 V_{IN} , 1-mA Load)

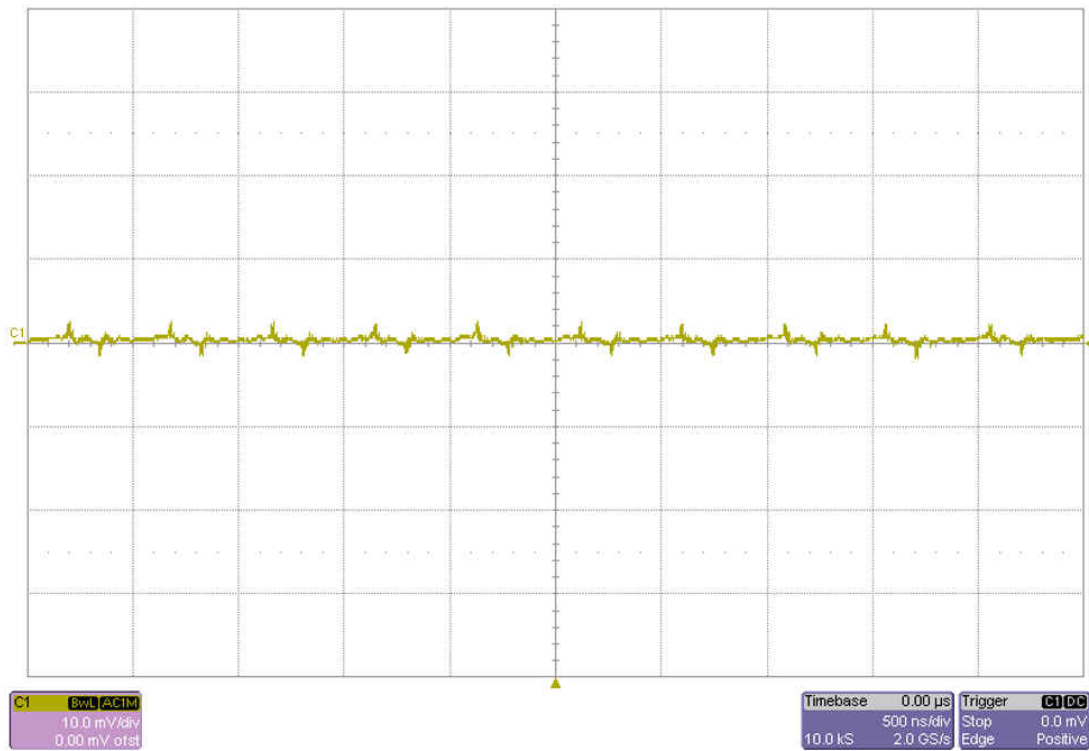


図 3-14. Output Voltage Ripple (5 V_{IN}, 1-A Load)

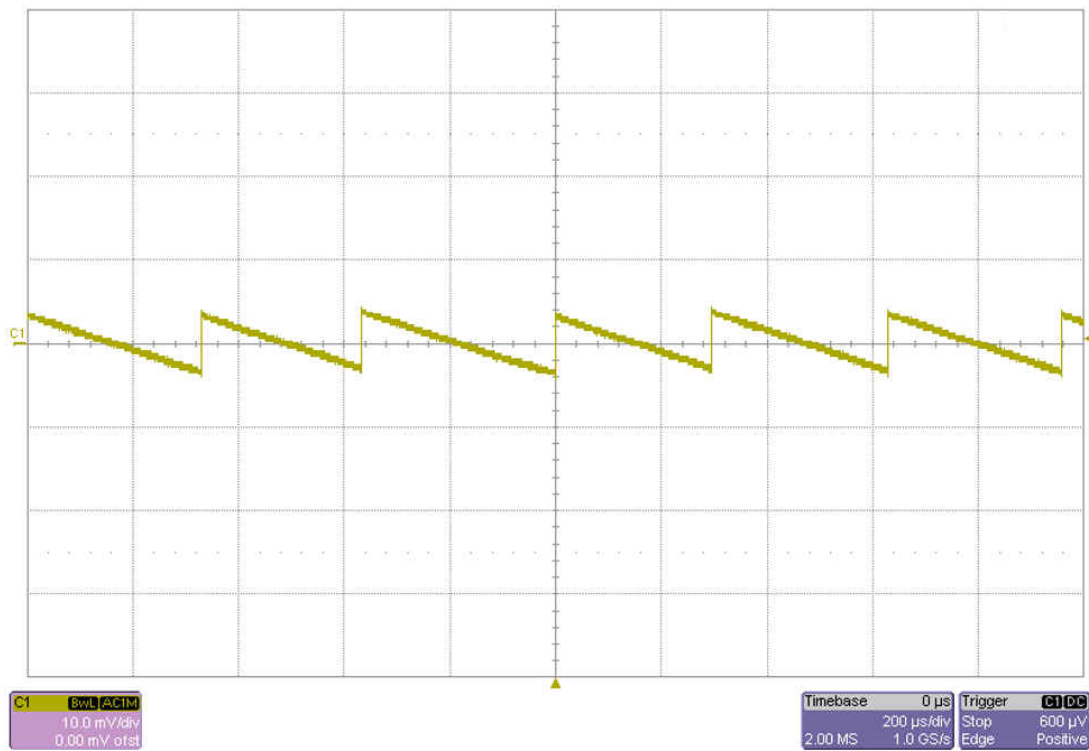


図 3-15. Output Voltage Ripple (12 V_{IN}, 1-mA Load)

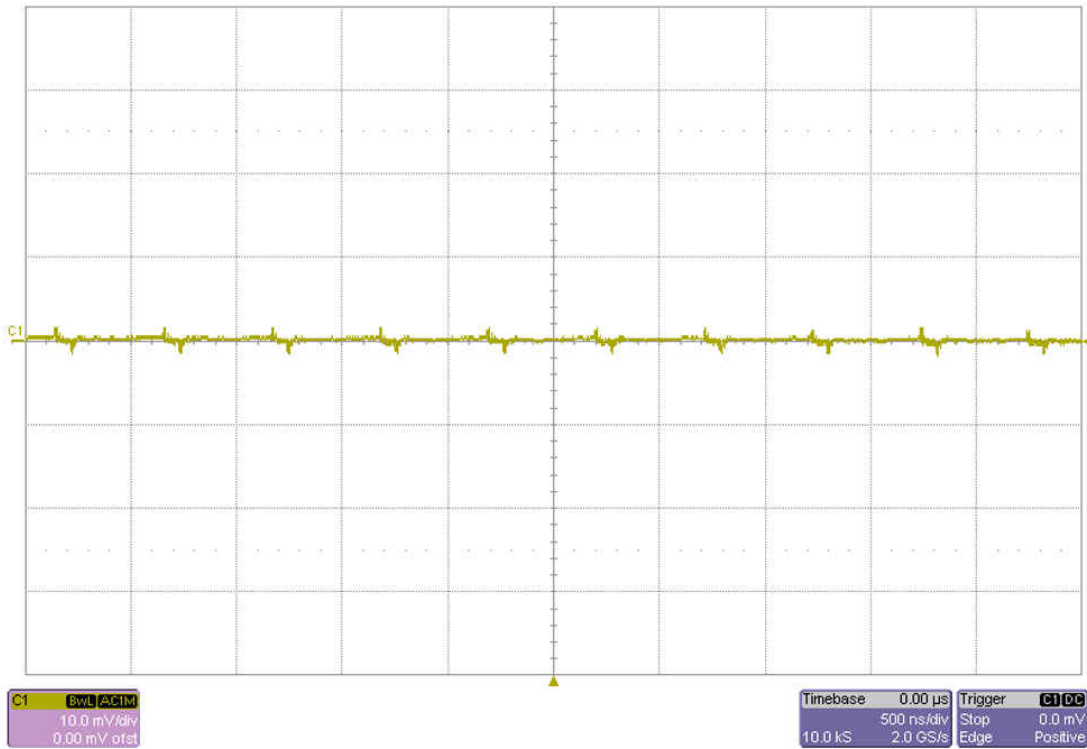


図 3-16. Output Voltage Ripple (12 V_{IN}, 1-A Load)

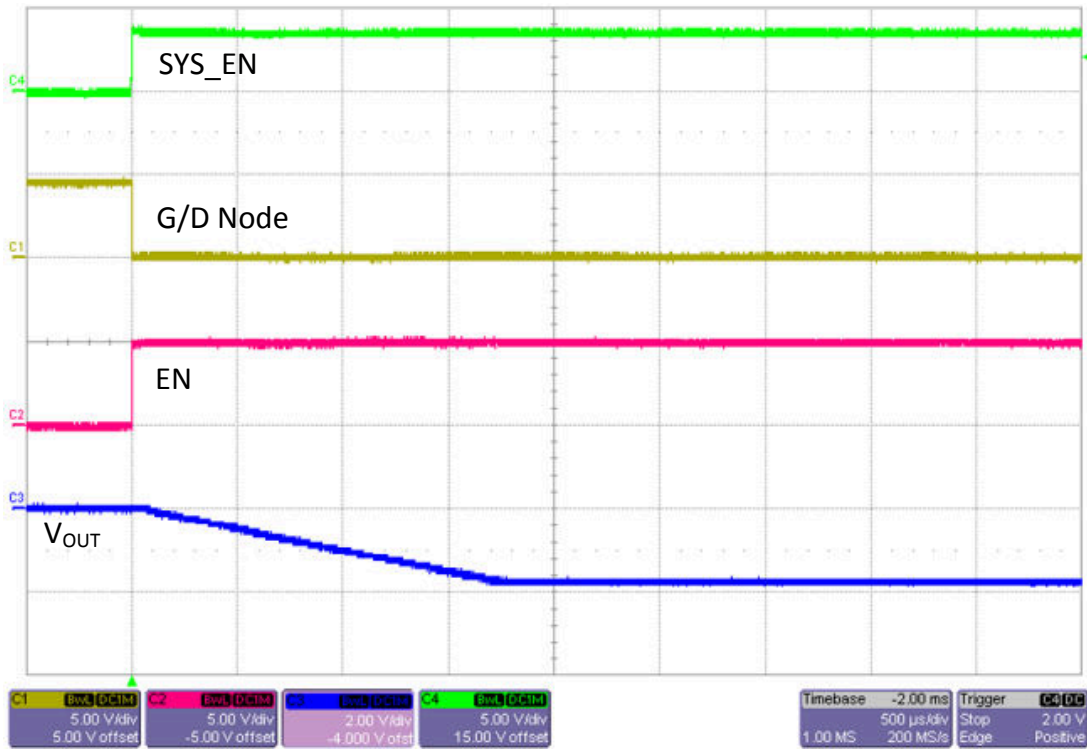


図 3-17. Start-up on EN (5 V_{IN}, No Load)

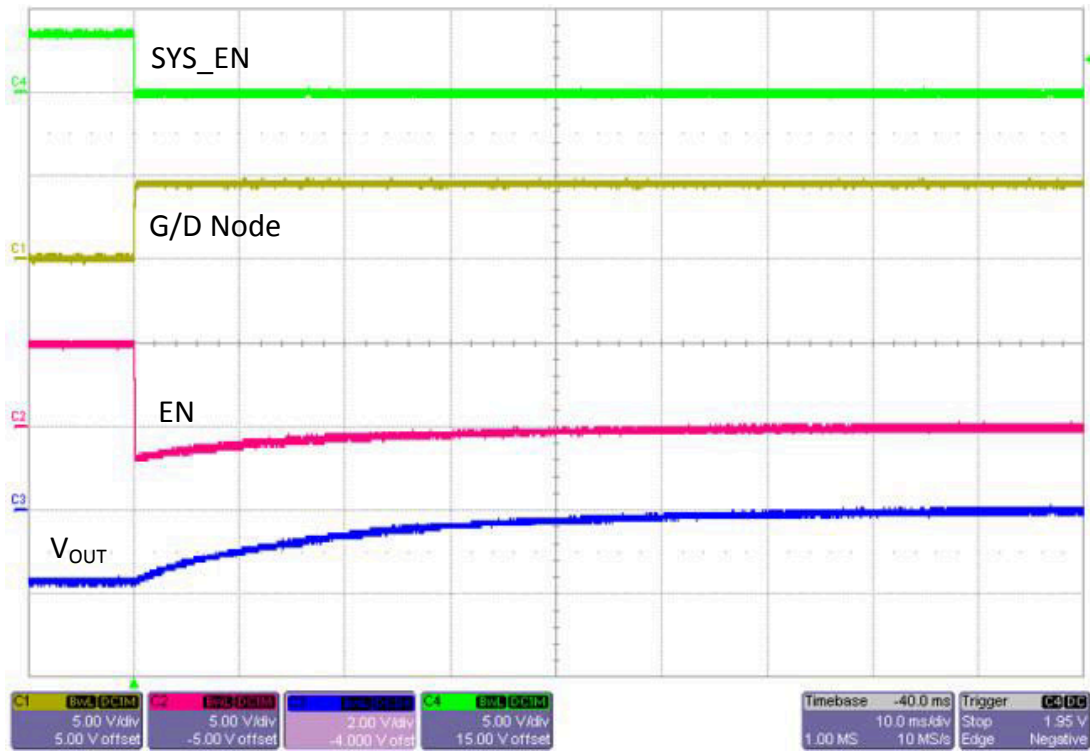


図 3-18. Shutdown on EN (5 V_{IN} , No Load)

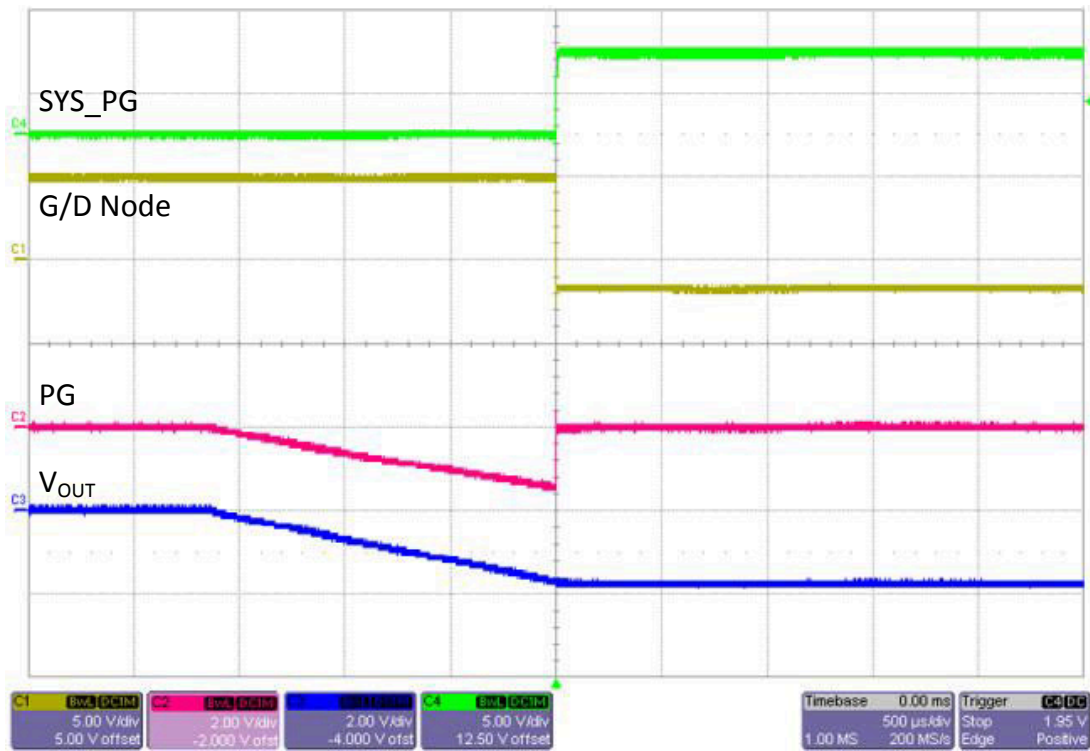


図 3-19. PG on Start-up (5 V_{IN} , No Load)

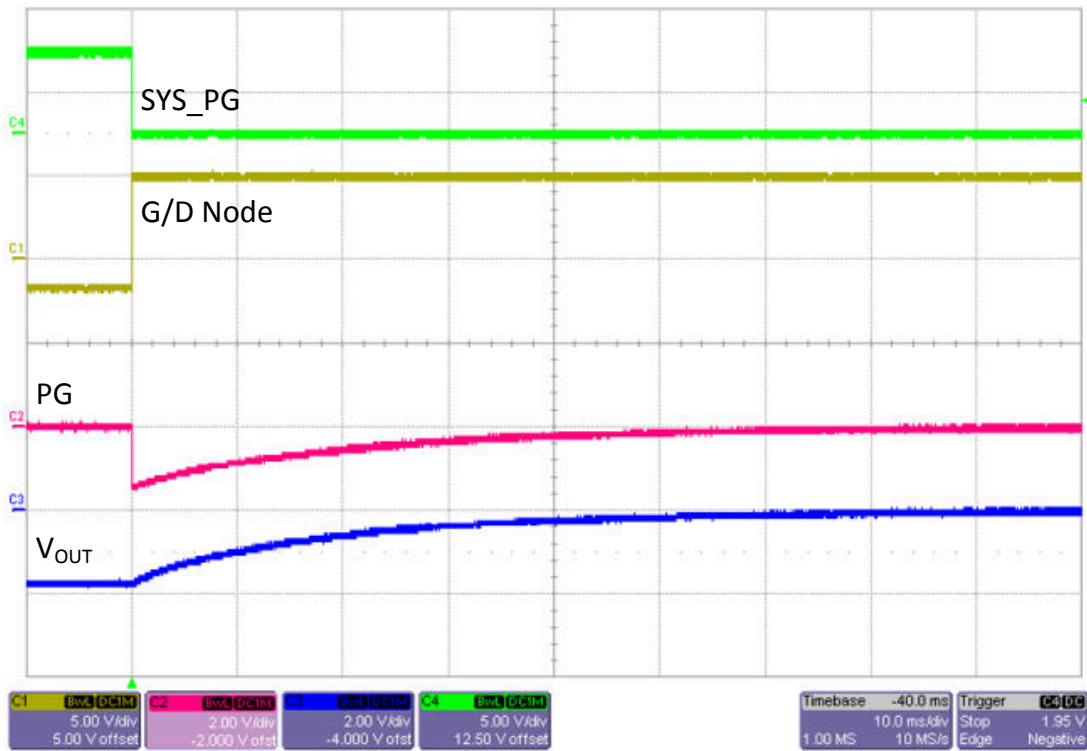


図 3-20. PG on Shutdown (5 V_{IN}, No Load)

4 Design Files

4.1 Schematics

To download the schematics, see the design files at [TIDA-01405](#).

4.2 Bill of Materials

To download the bill of materials (BOM), see the design files at [TIDA-01405](#).

4.3 PCB Layout Recommendations

4.3.1 Layout Prints

To download the layer plots, see the design files at [TIDA-01405](#).

4.4 Gerber Files

To download the Gerber files, see the design files at [TIDA-01405](#).

4.5 Assembly Drawings

To download the assembly drawings, see the design files at [TIDA-01405](#).

5 Related Documentation

1. Texas Instruments, [Simplifying Stability Checks](#), application report.
2. Texas Instruments, [Using the TPS62125 in an Inverting Buck-Boost Topology](#), TPS62125 application report.
3. Texas Instruments, [TPS82130 17-V Input 3-A Step-Down Converter MicroSiP™ Module with Integrated Inductor](#), data sheet.

6 Trademarks

TI E2E™ is a trademark of Texas Instruments.

すべての商標は、それぞれの所有者に帰属します。

7 Revision History

Changes from Revision A (April 2017) to Revision B (January 2023)		Page
• 文書全体にわたって表、図、相互参照の採番方法を更新.....		1
• Added <i>Design Precautions</i> topic		5
Changes from Revision * (March 2017) to Revision A (April 2017)		Page
• Updated arrangement of <i>Section 1.5</i> , <i>Section 1.6</i> , <i>Section 1.7</i> , and <i>Section 1.8</i> to セクション 1.4.5 , セクション 1.4.6 , セクション 1.4.7 , and セクション 1.4.8		6
• Updated <i>Efficiency Over V_IN (1-A Load)</i> image replacing I_{OUT} (mA) with the x-axis to V_{IN} (V)		10

重要なお知らせと免責事項

TI は、技術データと信頼性データ (データシートを含みます)、設計リソース (リファレンス・デザインを含みます)、アプリケーションや設計に関する各種アドバイス、Web ツール、安全性情報、その他のリソースを、欠陥が存在する可能性のある「現状のまま」提供しており、商品性および特定目的に対する適合性の黙示保証、第三者の知的財産権の非侵害保証を含むいかなる保証も、明示的または黙示的にかかわらず拒否します。

これらのリソースは、TI 製品を使用する設計の経験を積んだ開発者への提供を意図したものです。(1) お客様のアプリケーションに適した TI 製品の選定、(2) お客様のアプリケーションの設計、検証、試験、(3) お客様のアプリケーションに該当する各種規格や、その他のあらゆる安全性、セキュリティ、規制、または他の要件への確実な適合に関する責任を、お客様のみが単独で負うものとし、

上記の各種リソースは、予告なく変更される可能性があります。これらのリソースは、リソースで説明されている TI 製品を使用するアプリケーションの開発の目的でのみ、TI はその使用をお客様に許諾します。これらのリソースに関して、他の目的で複製することや掲載することは禁止されています。TI や第三者の知的財産権のライセンスが付与されている訳ではありません。お客様は、これらのリソースを自身で使用した結果発生するあらゆる申し立て、損害、費用、損失、責任について、TI およびその代理人を完全に補償するものとし、TI は一切の責任を拒否します。

TI の製品は、[TI の販売条件](#)、または [ti.com](https://www.ti.com) やかかる TI 製品の関連資料などのいずれかを通じて提供する適用可能な条項の下で提供されています。TI がこれらのリソースを提供することは、適用される TI の保証または他の保証の放棄の拡大や変更を意味するものではありません。

お客様がいかなる追加条項または代替条項を提案した場合でも、TI はそれらに異議を唱え、拒否します。

郵送先住所 : Texas Instruments, Post Office Box 655303, Dallas, Texas 75265
Copyright © 2023, Texas Instruments Incorporated