

### ABSTRACT

This document serves to accompany the design files for the JOYSTICK-MAG-ACC attachment for the magnetic sensing evaluation kits (EVMs) that interface with the [TI-SCB](#) such as the [TMAG5170EVM](#). In addition to this guide, the design files are provided as an example and may be used in a 3D printer to generate a demonstration of a simple joystick function using a three-dimensional Hall effect sensor.

---

### Note

Design files described in this document can be downloaded from [Joystick Design Files](#).

---

## Table of Contents

<b>1 Introduction</b> .....	<b>2</b>
<b>2 Assembly Guide</b> .....	<b>3</b>
<b>3 Revision History</b> .....	<b>6</b>

## List of Figures

Figure 1-1. JOYSTICK-MAG-ACC Attachment.....	2
Figure 2-1. Joystick Attachment Exploded View.....	3
Figure 2-2. Thumb Toggle.....	3
Figure 2-3. Spherical Magnet.....	4
Figure 2-4. Magnet Alignment.....	4
Figure 2-5. Assembly Suggestion.....	5
Figure 2-6. Completed Thumb Toggle.....	5
Figure 2-7. Joystick Base.....	5
Figure 2-8. Seating the Joystick.....	6
Figure 2-9. Completed Joystick.....	6

### Trademarks

All trademarks are the property of their respective owners.

## 1 Introduction

This JOYSTICK-MAG-ACC attachment uses a 3/8" (9.5 mm) spherical magnet as both a magnetic field source and mechanical bearing. The magnet clips into the base where it may pivot above a three-dimensional Hall effect sensor. This motion allows the magnet to provide the necessary magnetic field input to the sensor to detect both angle and magnitude of tilt.

For correct function, it is important to follow this step-by-step guide to ensure proper alignment of the magnet polarization.

The result of ideal magnet alignment produces a field vector at the sensor location entirely in the Z direction. Depending on the tilt of the magnet, it is possible to calculate both the angle and magnitude of the X and Y components to determine the overall magnitude and direction of the thumb toggle tilt.

More details related to this operation can be found in [Measuring 3D Motion With Absolute Position Sensors](#).

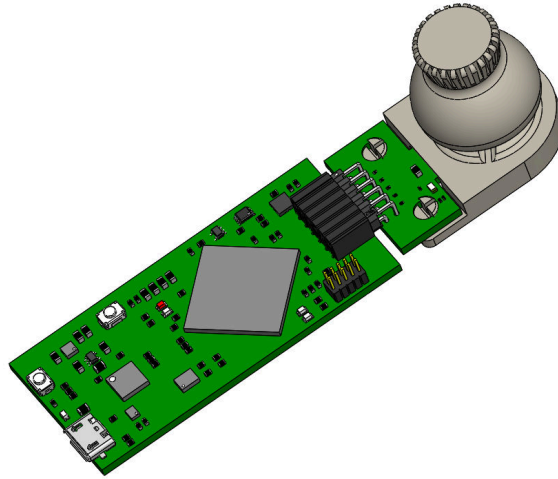
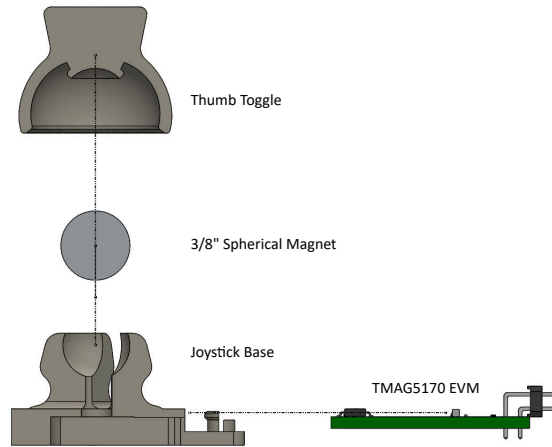


Figure 1-1. JOYSTICK-MAG-ACC Attachment

## 2 Assembly Guide

The JOYSTICK-MAG-ACC kits ordered from TI.com come pre-assembled, but in cases where the kit is printed locally, follow steps 1-5 described below.

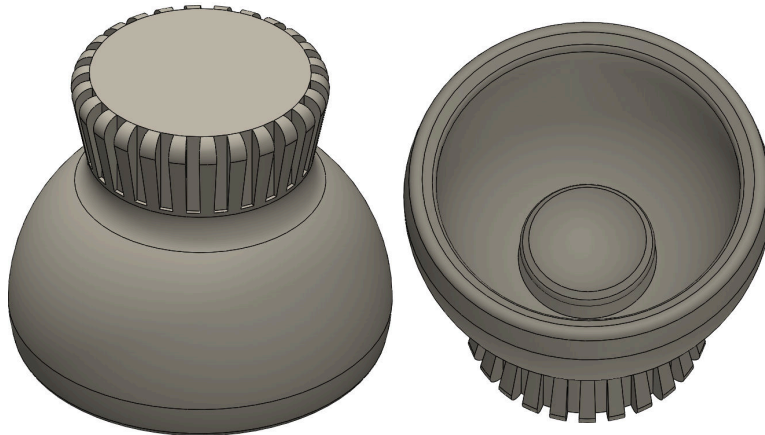
Item	Description	Quantity
Thumb Toggle	Joystick_Top.STL	1
Joystick Base	Joystick_Base.STL	1
3/8 in (9.5 mm) Spherical Magnet	NdFeB (N42):available at <a href="#">K&amp;J Magnetics</a>	1
8333-20G	Super Glue	0.02oz



**Figure 2-1. Joystick Attachment Exploded View**

### 1. Print the thumb toggle (Joystick\_Top.STL)

This is the printable toggle for the joystick attachment. Notice the raised seat intended for a spherical magnet.



**Figure 2-2. Thumb Toggle**

## 2. Orient the spherical magnet

This might be the most easily done using a second magnet with pole markings. For example, if the N pole of a bar magnet is presented near the sphere, this magnet orients itself such that the S pole of the sphere magnet contacts the bar. Take care to ensure the magnets do not strike with significant force. Magnets are often brittle, and striking another object with force may result in damage to one or both magnets.

A 3/8 in. Spherical magnet was used for this design. This could be modified to use other size magnets, but both the thumb toggle and base would require adjustments to match the new magnet sizing. This particular magnet was selected since as it was determined to provide adequately strong field in the z-direction without saturating the input of TMAG5170 and provided a sufficiently large surface area for assembly.

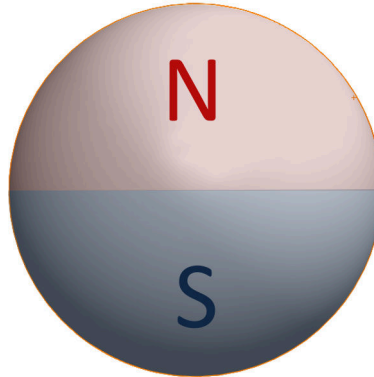


Figure 2-3. Spherical Magnet

## 3. Glue the magnet into the thumb toggle

With the orientation of the magnet known, glue the magnet into the raised seat inside the thumb toggle. Either the N or S pole may be inserted directed downward. If oriented as shown in [Magnet Alignment](#), then the resulting input to the 3D sensor will be positive. The sensor defines a positive field to be directed from the bottom of the package to the top. With the S pole facing the sensor, the field vector will be in this direction.

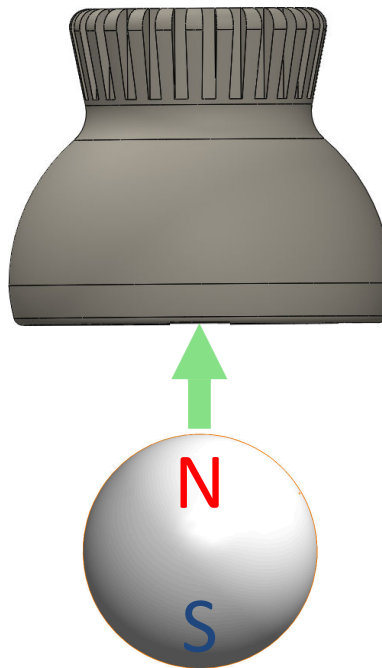
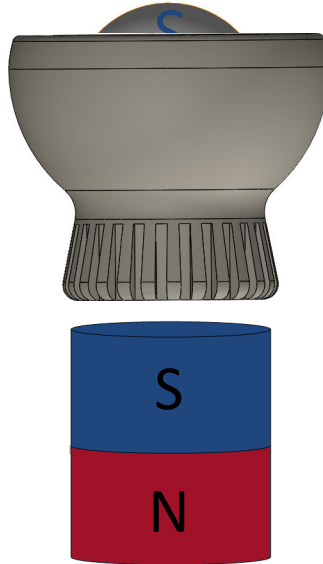


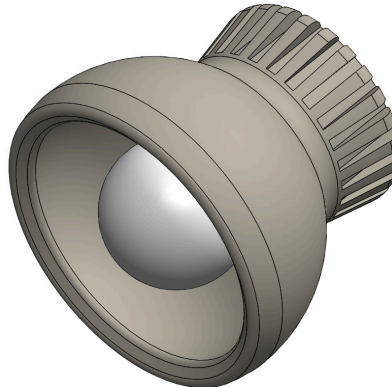
Figure 2-4. Magnet Alignment

It can be useful to use a second magnet to secure the magnet in place when setting the magnet and allowing the glue cure until the prescribed dry time is completed.



**Figure 2-5. Assembly Suggestion**

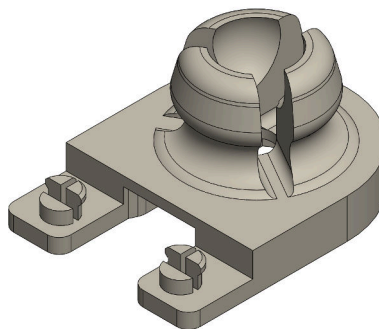
[Completed Thumb Toggle](#) shows how the assembly should appear when the glue fully cures.



**Figure 2-6. Completed Thumb Toggle**

**4. Print the joystick base (Joystick\_Base.STL)**

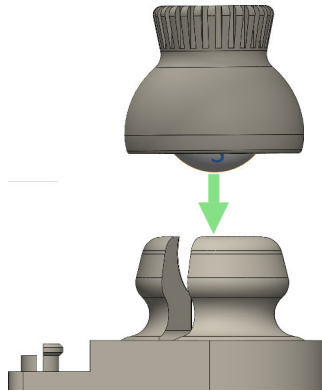
This is the printable base for the attachment. The magnet seats in the rounded pedestal and the small circular fittings on each tab clip into the match holes in the EVM. The sensor is positioned such that it is directly beneath the magnet pole.



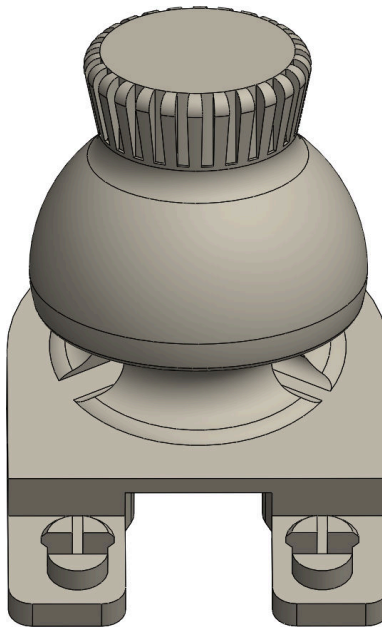
**Figure 2-7. Joystick Base**

**5. Seat the thumb toggle assembly into the base**

The thumb toggle should be able to snap into position with a small amount of force, and should similarly be removable if needed.



**Figure 2-8. Seating the Joystick**



**Figure 2-9. Completed Joystick**

**3 Revision History**

NOTE: Page numbers for previous revisions may differ from page numbers in the current version.

<b>Changes from Revision A (July 2021) to Revision B (December 2024)</b>	<b>Page</b>
• Updated abstract to reference JOYSTICK-MAG-ACC.....	<b>1</b>
• Updated <a href="#">Section 1</a> to mention JOYSTICK-MAG-ACC.....	<b>2</b>
• Updated <a href="#">Section 2</a> to mention JOYSTICK-MAG-ACC.....	<b>3</b>

## IMPORTANT NOTICE AND DISCLAIMER

TI PROVIDES TECHNICAL AND RELIABILITY DATA (INCLUDING DATA SHEETS), DESIGN RESOURCES (INCLUDING REFERENCE DESIGNS), APPLICATION OR OTHER DESIGN ADVICE, WEB TOOLS, SAFETY INFORMATION, AND OTHER RESOURCES "AS IS" AND WITH ALL FAULTS, AND DISCLAIMS ALL WARRANTIES, EXPRESS AND IMPLIED, INCLUDING WITHOUT LIMITATION ANY IMPLIED WARRANTIES OF MERCHANTABILITY, FITNESS FOR A PARTICULAR PURPOSE OR NON-INFRINGEMENT OF THIRD PARTY INTELLECTUAL PROPERTY RIGHTS.

These resources are intended for skilled developers designing with TI products. You are solely responsible for (1) selecting the appropriate TI products for your application, (2) designing, validating and testing your application, and (3) ensuring your application meets applicable standards, and any other safety, security, regulatory or other requirements.

These resources are subject to change without notice. TI grants you permission to use these resources only for development of an application that uses the TI products described in the resource. Other reproduction and display of these resources is prohibited. No license is granted to any other TI intellectual property right or to any third party intellectual property right. TI disclaims responsibility for, and you will fully indemnify TI and its representatives against, any claims, damages, costs, losses, and liabilities arising out of your use of these resources.

TI's products are provided subject to [TI's Terms of Sale](#) or other applicable terms available either on [ti.com](https://www.ti.com) or provided in conjunction with such TI products. TI's provision of these resources does not expand or otherwise alter TI's applicable warranties or warranty disclaimers for TI products.

TI objects to and rejects any additional or different terms you may have proposed.

Mailing Address: Texas Instruments, Post Office Box 655303, Dallas, Texas 75265  
Copyright © 2024, Texas Instruments Incorporated