

Title: **CAN Bus System Monitor**

Section: **System Monitor.prj**

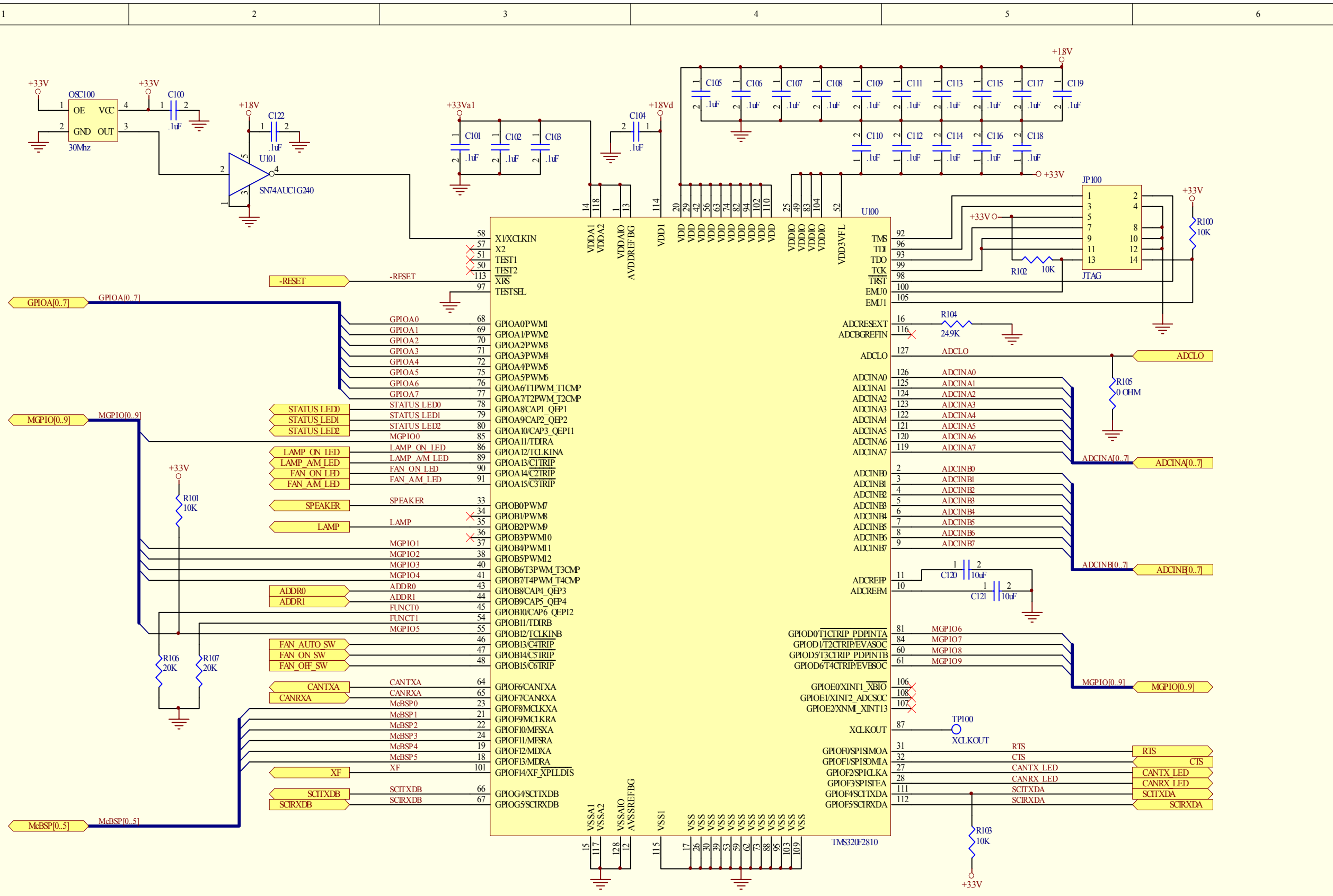
Texas Instruments
3535 40th Ave. NW, Suite 103
Rochester, MN 55901
Designer: Brian Ashdin
(507) 529-1555 ext. 108



Size: B Number: CBSM-1 Revision: A

Date: 17-Mar-2003 Time: 1353:18 Sheet 1 of 1

File: F:\Board Design\Engineering Platforms\CAN Bus\Schematic\Rev A\CAN Bus.dtb - System Monitor\System Monitor.prj



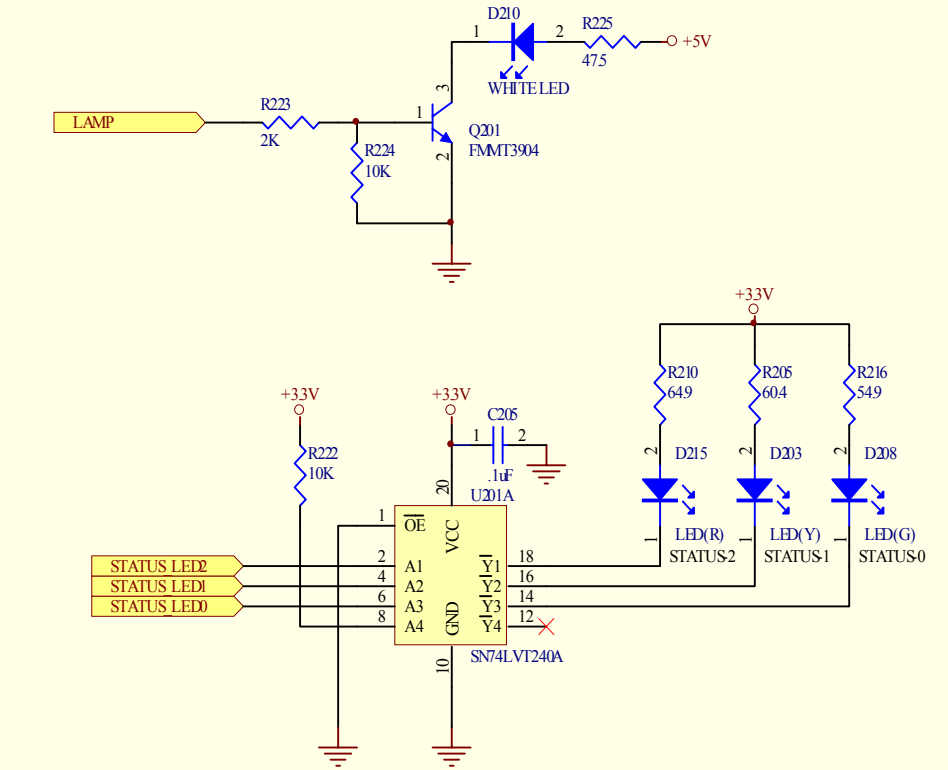
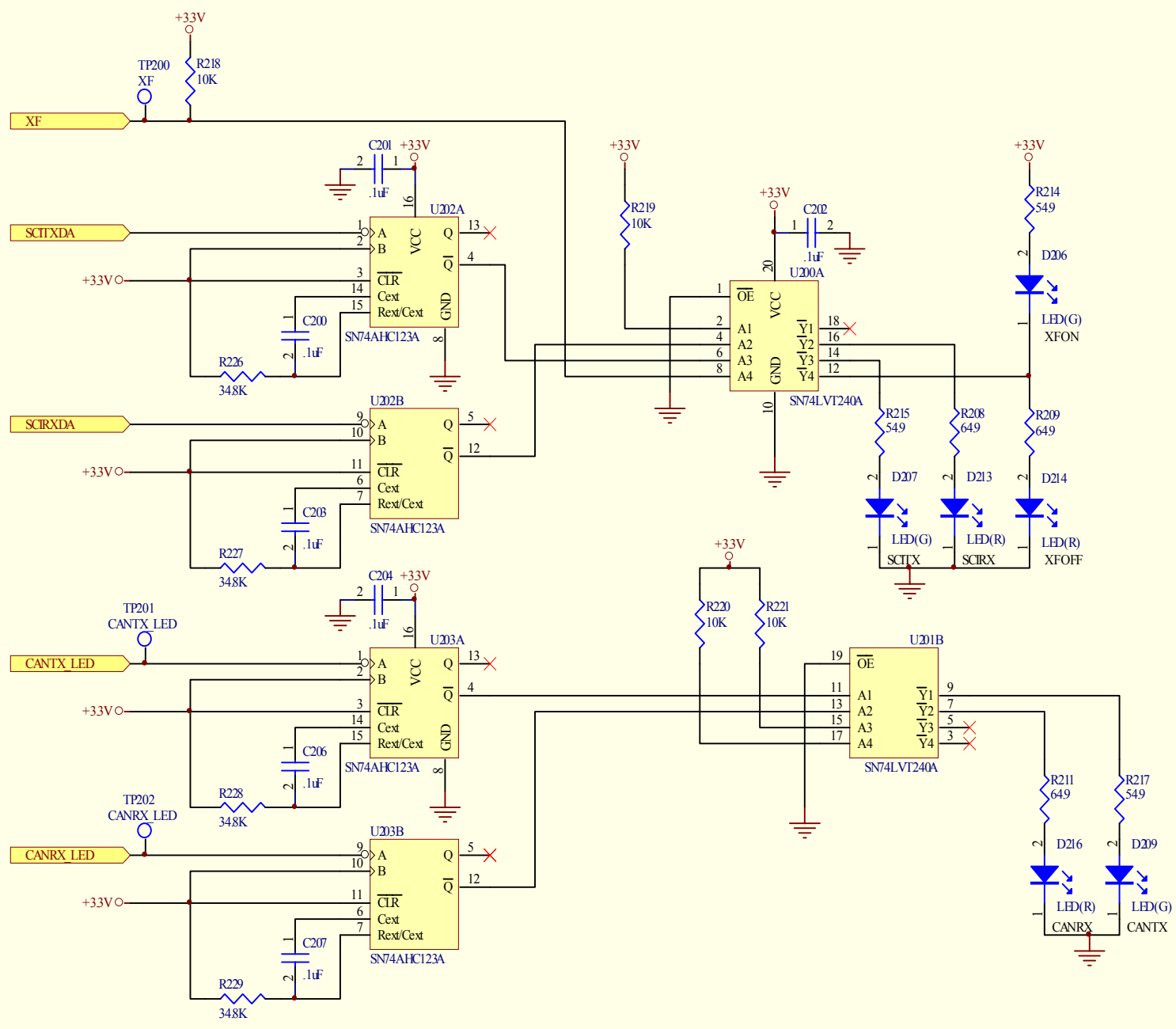
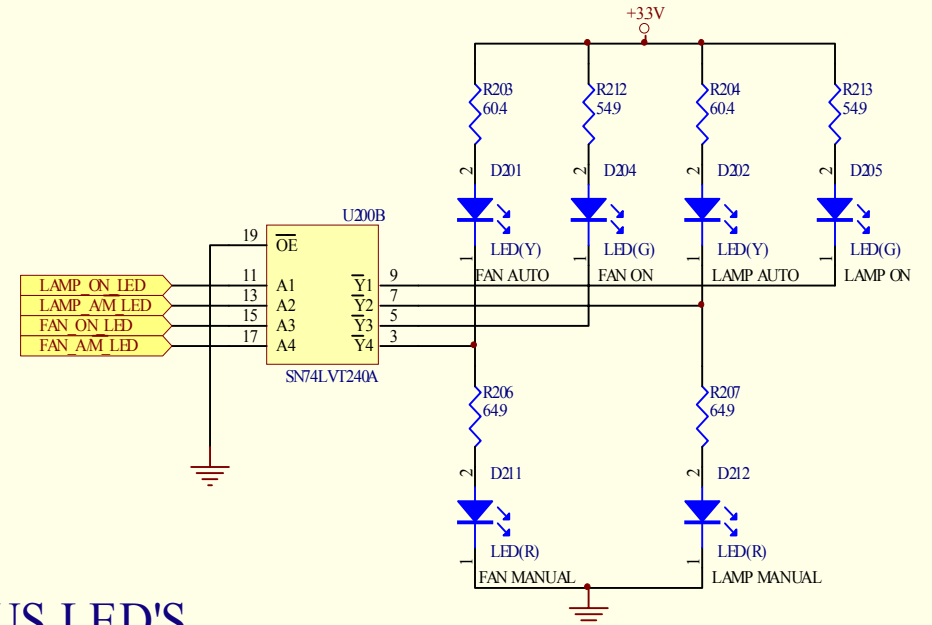
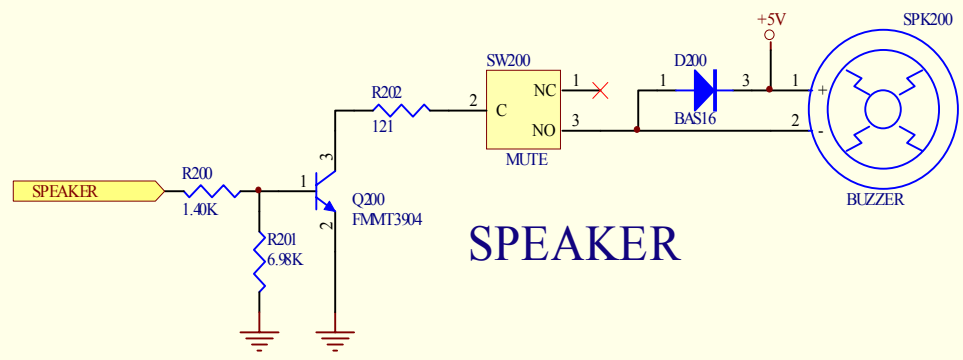
Title: CAN Bus System Monitor

Section: DSP2810

Size: B Number: CBSM-1 Revision: A
 Date: 17-Mar-2003 Time: 1355:04 Sheet 1 of 5

Texas Instruments
 3535 40th Ave. NW, Suite 103
 Rochester, MN 55901
 Designer: Brian Ashdin
 (507) 529-1555 ext. 108





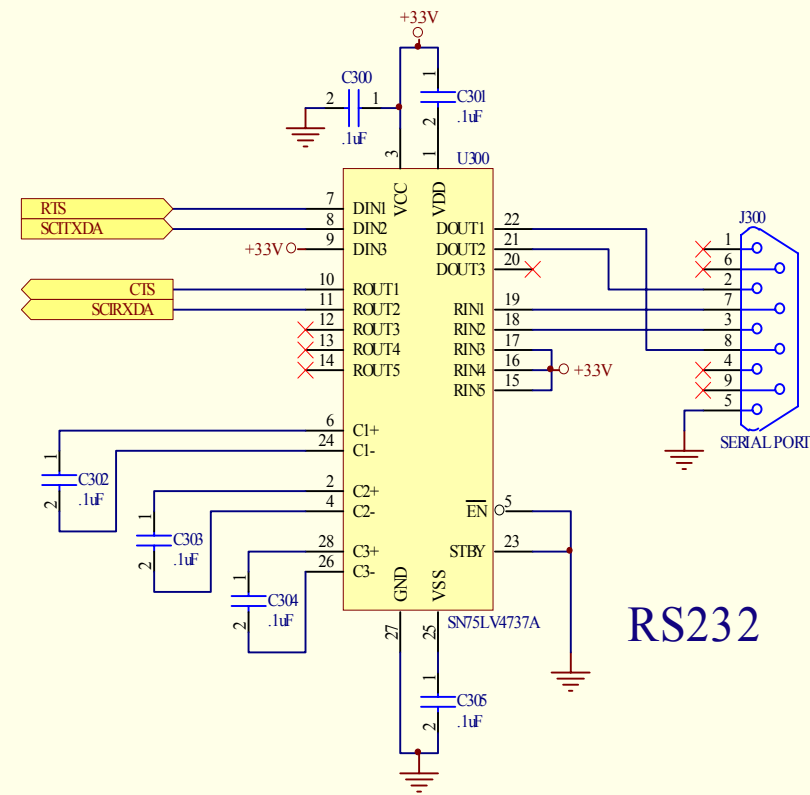
Title: CAN Bus System Monitor

Section: LED'S & SPEAKER

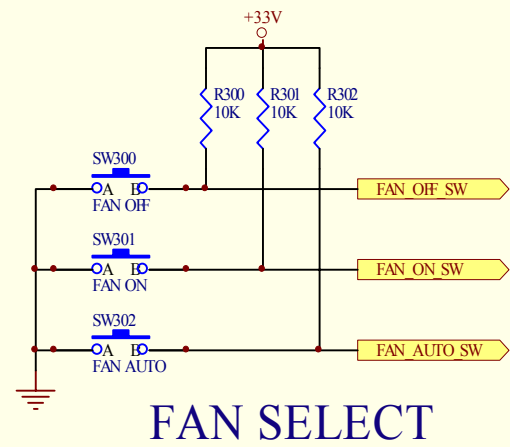
Size: B	Number: CBSM-1	Revision: A
Date: 17-Mar-2003	Time: 1355:26	Sheet 2 of 5
File: F:\Board Design\Engineering Platforms\CAN Bus\Schematic\Rev A\CAN Bus - System Monitor\LED'S & SPEAKER		



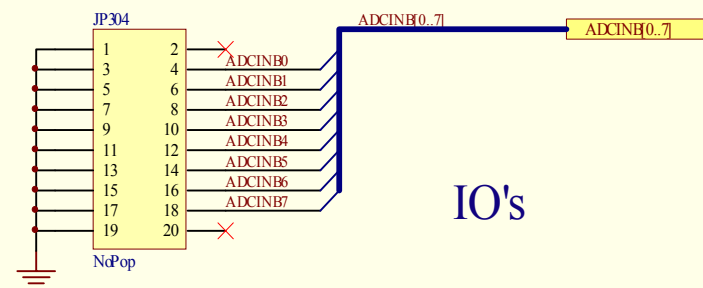
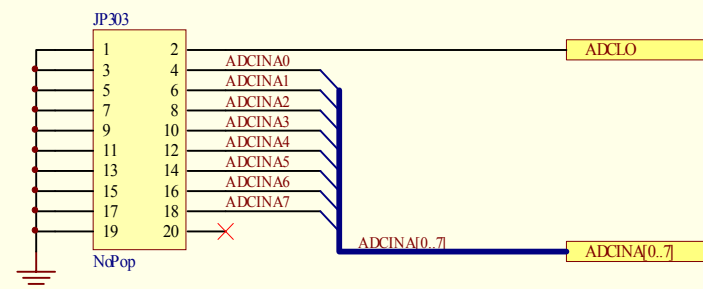
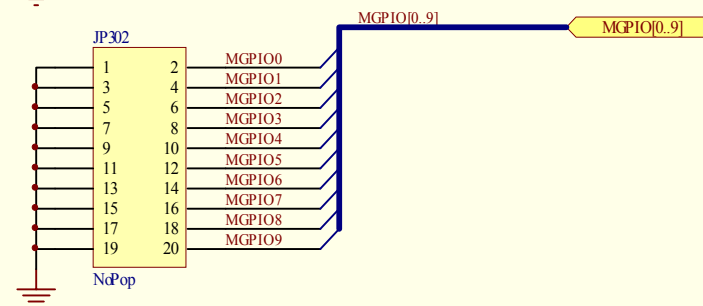
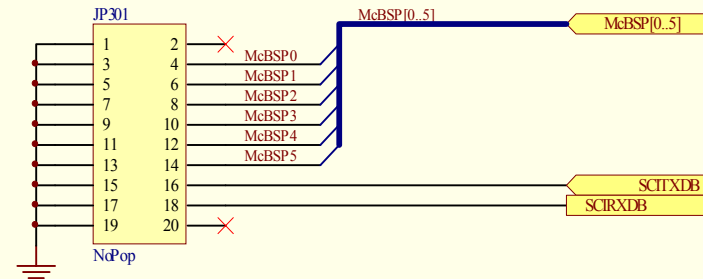
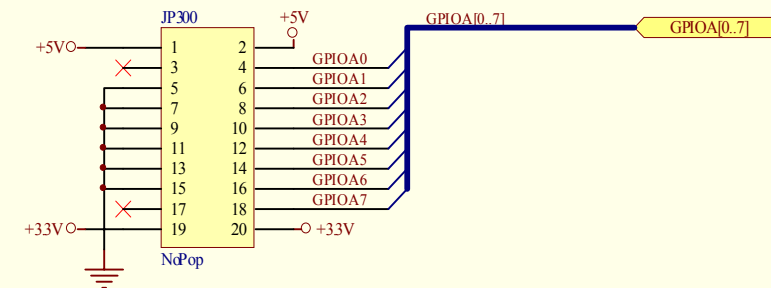
Texas Instruments
3535 40th Ave. NW, Suite 103
Rochester, MN 55901
Designer: Brian Ashdin
(507) 529-1555 ext. 108



RS232



FAN SELECT



IO's

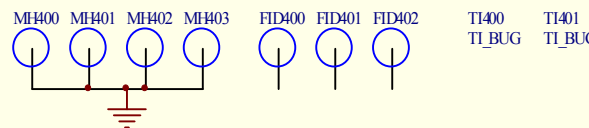
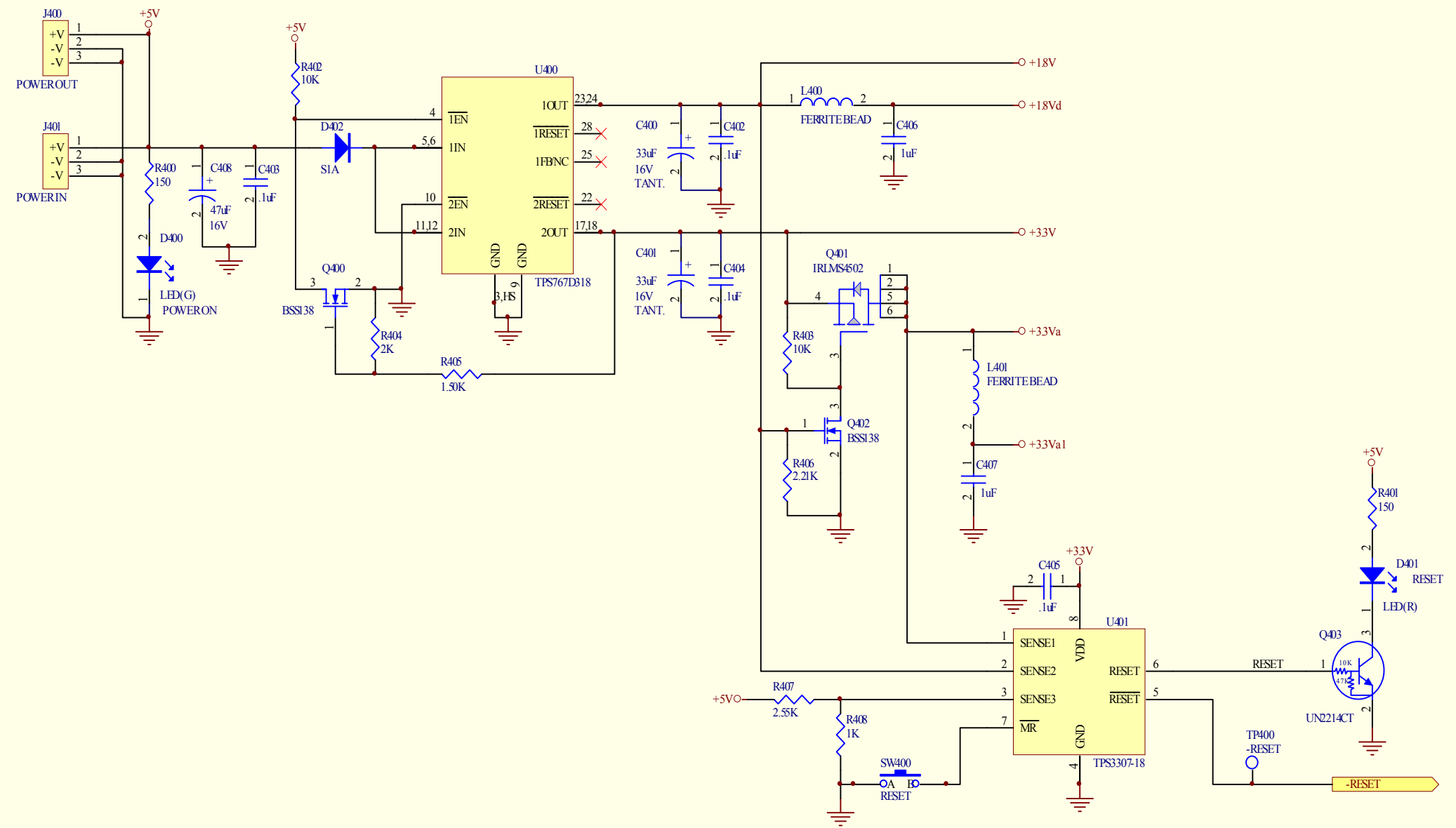
Title: **CAN Bus System Monitor**

Section: **IO's**

Size: B Number: CBSM-1 Revision: A
 Date: 17-Mar-2003 Time: 13:56:05 Sheet 3 of 5
 File: F:\Board Design\Engineering Platforms\CAN Bus\Schematic\Rev A\CAN Bus.dtb - System Monitor\IO's

Texas Instruments
 3535 40th Ave. NW, Suite 103
 Rochester, MN 55901
 Designer: Brian Ashdin
 (507) 529-1555 ext. 108





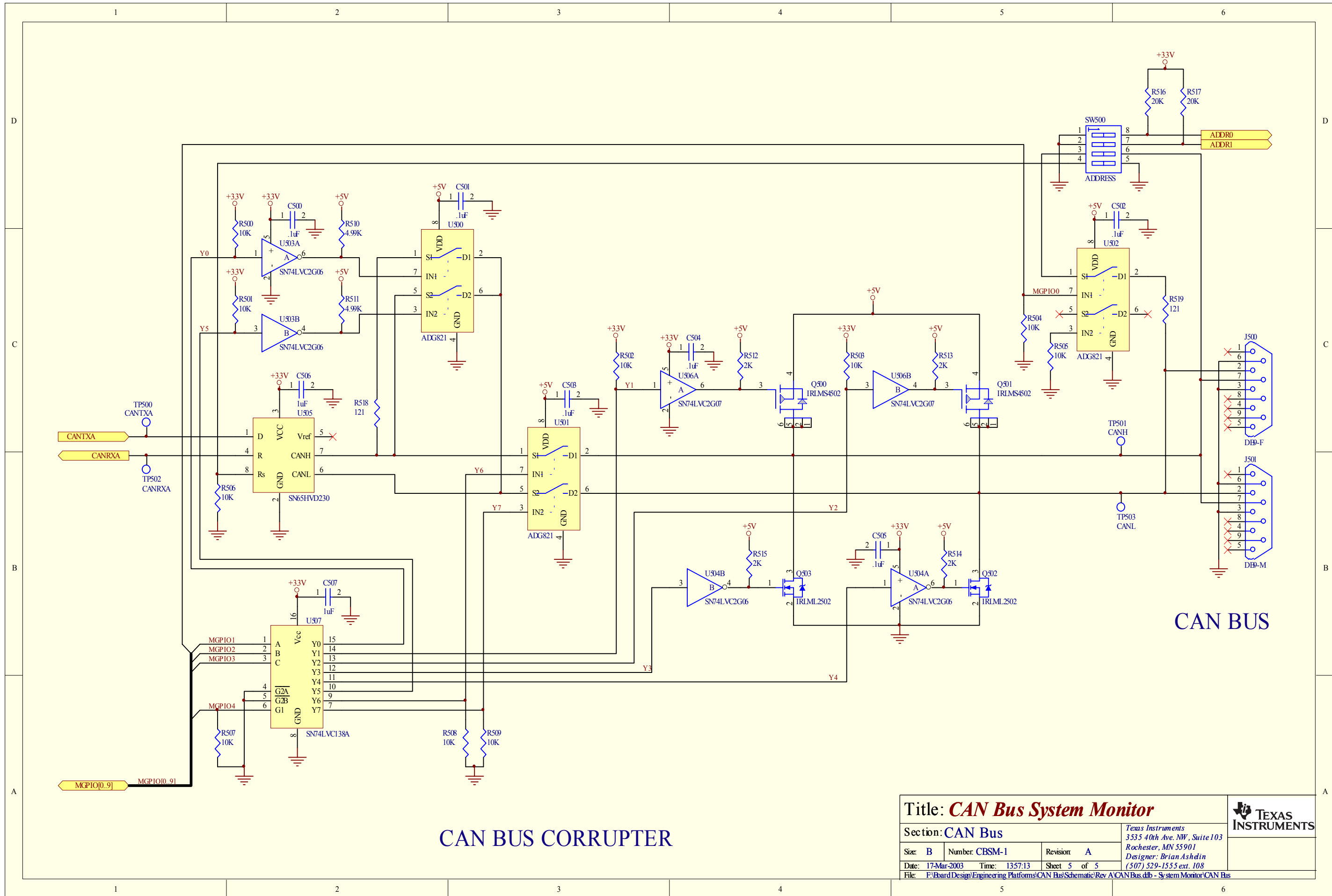
Title: **CAN Bus System Monitor**

Section: **POWER**

Size: B	Number: CBSM-1	Revision: A
Date: 17-Mar-2003	Time: 1356:54	Sheet 4 of 5
File: F:\Board Design\Engineering Platforms\CAN Bus\Schematic\Rev A\CAN Bus.dtb - System Monitor\POWER		

Texas Instruments
3535 40th Ave. NW, Suite 103
Rochester, MN 55901
Designer: Brian Ashdin
(507) 529-1555 ext. 108





CAN BUS CORRUPTER

CAN BUS

Title: **CAN Bus System Monitor**

Section: CAN Bus

Texas Instruments
 3535 40th Ave. NW, Suite 103
 Rochester, MN 55901
 Designer: Brian Ashdin
 (507) 529-1555 ext. 108



Size: B	Number: CBSM-1	Revision: A
Date: 17-Mar-2003	Time: 1357:13	Sheet 5 of 5
File: F:\Board Design\Engineering Platforms\CAN Bus\Schematic\Rev A\CAN Bus.dtb - System Monitor\CAN Bus		

IMPORTANT NOTICE

Texas Instruments Incorporated and its subsidiaries (TI) reserve the right to make corrections, modifications, enhancements, improvements, and other changes to its products and services at any time and to discontinue any product or service without notice. Customers should obtain the latest relevant information before placing orders and should verify that such information is current and complete. All products are sold subject to TI's terms and conditions of sale supplied at the time of order acknowledgment.

TI warrants performance of its hardware products to the specifications applicable at the time of sale in accordance with TI's standard warranty. Testing and other quality control techniques are used to the extent TI deems necessary to support this warranty. Except where mandated by government requirements, testing of all parameters of each product is not necessarily performed.

TI assumes no liability for applications assistance or customer product design. Customers are responsible for their products and applications using TI components. To minimize the risks associated with customer products and applications, customers should provide adequate design and operating safeguards.

TI does not warrant or represent that any license, either express or implied, is granted under any TI patent right, copyright, mask work right, or other TI intellectual property right relating to any combination, machine, or process in which TI products or services are used. Information published by TI regarding third-party products or services does not constitute a license from TI to use such products or services or a warranty or endorsement thereof. Use of such information may require a license from a third party under the patents or other intellectual property of the third party, or a license from TI under the patents or other intellectual property of TI.

Reproduction of information in TI data books or data sheets is permissible only if reproduction is without alteration and is accompanied by all associated warranties, conditions, limitations, and notices. Reproduction of this information with alteration is an unfair and deceptive business practice. TI is not responsible or liable for such altered documentation.

Resale of TI products or services with statements different from or beyond the parameters stated by TI for that product or service voids all express and any implied warranties for the associated TI product or service and is an unfair and deceptive business practice. TI is not responsible or liable for any such statements.

Following are URLs where you can obtain information on other Texas Instruments products and application solutions:

Products		Applications	
Amplifiers	amplifier.ti.com	Audio	www.ti.com/audio
Data Converters	dataconverter.ti.com	Automotive	www.ti.com/automotive
DSP	dsp.ti.com	Broadband	www.ti.com/broadband
Interface	interface.ti.com	Digital Control	www.ti.com/digitalcontrol
Logic	logic.ti.com	Military	www.ti.com/military
Power Mgmt	power.ti.com	Optical Networking	www.ti.com/opticalnetwork
Microcontrollers	microcontroller.ti.com	Security	www.ti.com/security
		Telephony	www.ti.com/telephony
		Video & Imaging	www.ti.com/video
		Wireless	www.ti.com/wireless

Mailing Address: Texas Instruments
Post Office Box 655303 Dallas, Texas 75265