

# Application Note

## JFE150 Ultra-Low-Noise Pre-Amp



Chris Featherstone

Precision Amps

### ABSTRACT

Many engineers face the challenge of amplifying small signals produced by sensors with high source impedance in a low-noise circuit. Amplifier circuit design for sensor applications such as hydrophones, guitar pickups, high source impedance microphones and turntables can benefit from a combination of discrete components and operational amplifiers. This application report discusses one way to accomplish this design challenge.

---

### Table of Contents

<b>1 Introduction</b> .....	2
<b>2 Theory of Operation</b> .....	3
<b>3 Noise</b> .....	9
<b>4 Summary</b> .....	9

### List of Figures

Figure 1-1. Pre-Amp With JFE150 Front End in a Closed-Loop Circuit .....	2
Figure 2-1. Pre-Amp With JFE150 Front End Small Signal T-Model.....	3
Figure 2-2. $g_m$ (dB) vs Frequency (Hz).....	4
Figure 2-3. $A_{cl}$ (dB) vs Frequency (Hz).....	5
Figure 2-4. Loop Analysis for Pre-Amp With JFE150 Front End Using the Small-Signal T-Model.....	6
Figure 2-5. Loop Parameters (dB) vs Frequency (Hz).....	7
Figure 2-6. Stability Analysis.....	8
Figure 3-1. Circuit Noise $nV/\sqrt{Hz}$ vs Frequency (Hz) Using an Input Referred Noise Analysis Simulation.....	9

### List of Tables

Table 2-1. RC Combinations and Corner Frequencies.....	7
--	---

### Trademarks

All trademarks are the property of their respective owners.

## 1 Introduction

Amplifying the small signals produced by sensors in a low-noise circuit is a very common but difficult problem. Designers often use an operational amplifier (op amp) with bipolar inputs to achieve this amplification, given their inherently low flicker (1/f) and broadband noise. Bipolar op amps present another challenge when the small signal of interest is generated by a sensor with high source impedance that cannot deliver sufficient current to the input of the amplifier. Bipolar op amps have high input bias currents in the nanoampere range or greater, and lower input impedance relative to their complementary metal-oxide semiconductor (CMOS)-input and junction field-effect transistor (JFET)-input counterparts.

The bipolar input loads a sensor, such as a high source impedance microphone, that produces signals on the order of a few thousandths of a volt. This loading reduces audio sonic quality and dynamic range and distorts the signal. You can choose an op amp with a JFET front end such as the [OPA145](#) from Texas Instruments. However, you will not be able to bias the circuit as flexibly as you could with discrete components and may sacrifice extra current for unwanted bandwidth relative to the audio bandwidth of up to 20 kHz. While CMOS and JFET input stages have comparable bias currents, JFET devices have much better noise performance. Moreover, JFETs also have higher gain (transconductance) than CMOS devices. A discrete JFET such as TI's [JFE150](#), when followed by a bipolar op amp such as the [OPA202](#), does offer a way to achieve high input impedance and low noise with flexible biasing, see [Figure 1-1](#).

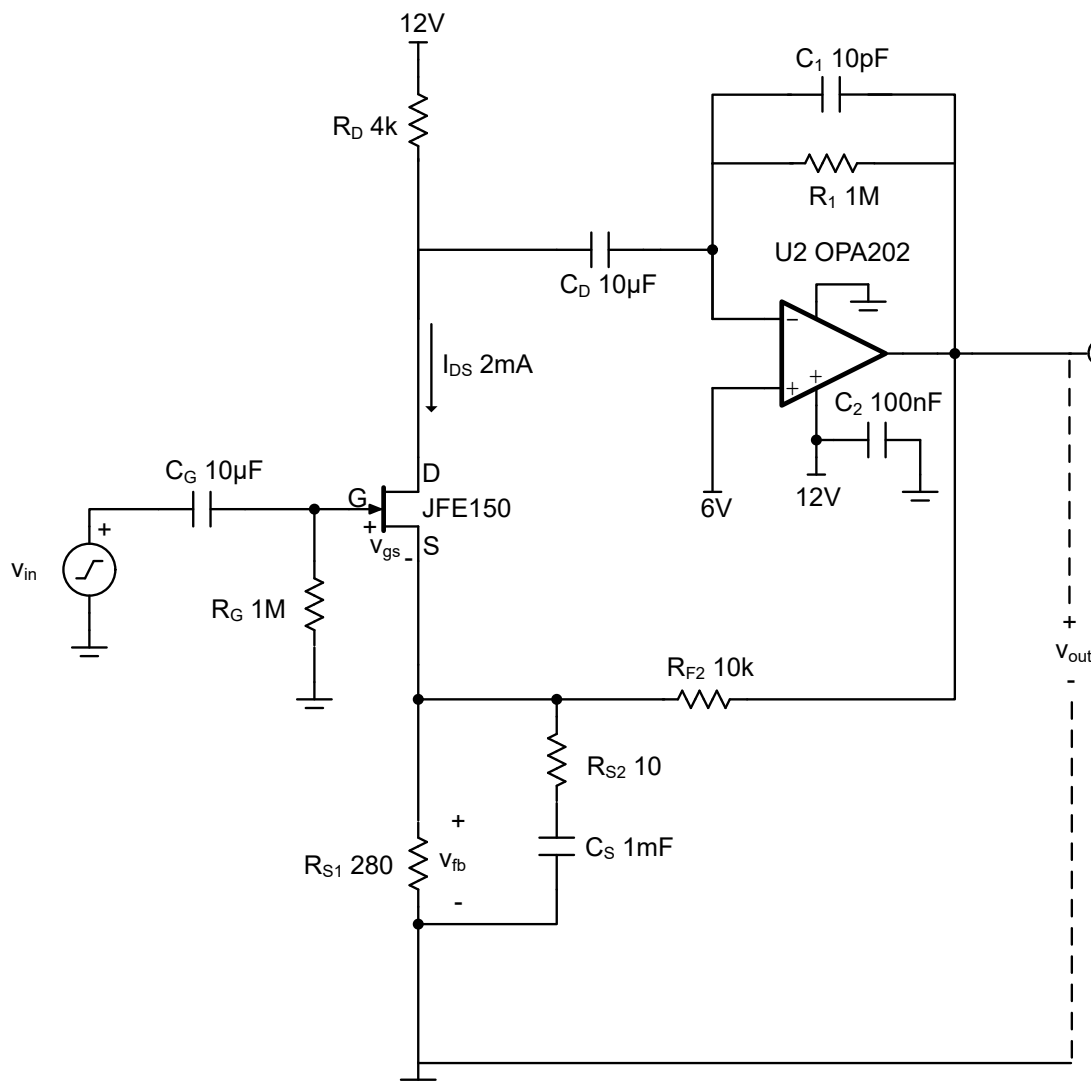


Figure 1-1. Pre-Amp With JFE150 Front End in a Closed-Loop Circuit

## 2 Theory of Operation

The JFET pre-amp circuit is easiest to analyze using the small-signal T-model as shown in Figure 2-1. To understand the operation of this circuit, begin by examining it at the input. A sensor generates a small-signal input voltage ( $v_{in}$ ), which modulates the gate-to-source voltage ( $v_{gs}$ ) of the JFET. The JFE150 is the first gain stage in the pre-amp circuit and conducts a small-signal drain-to-source current,  $i_{ds} = g_m \times v_{gs}$  which fluctuates with  $v_{in}$ . The small signal current  $i_{ds}$ , is not to be confused with the DC bias current,  $I_{DS} = 2 \text{ mA}$ , as shown in Figure 1-1. The transconductance gain parameter ( $g_m$ ), is expressed in Siemens and  $v_{gs}$  is expressed in volts.

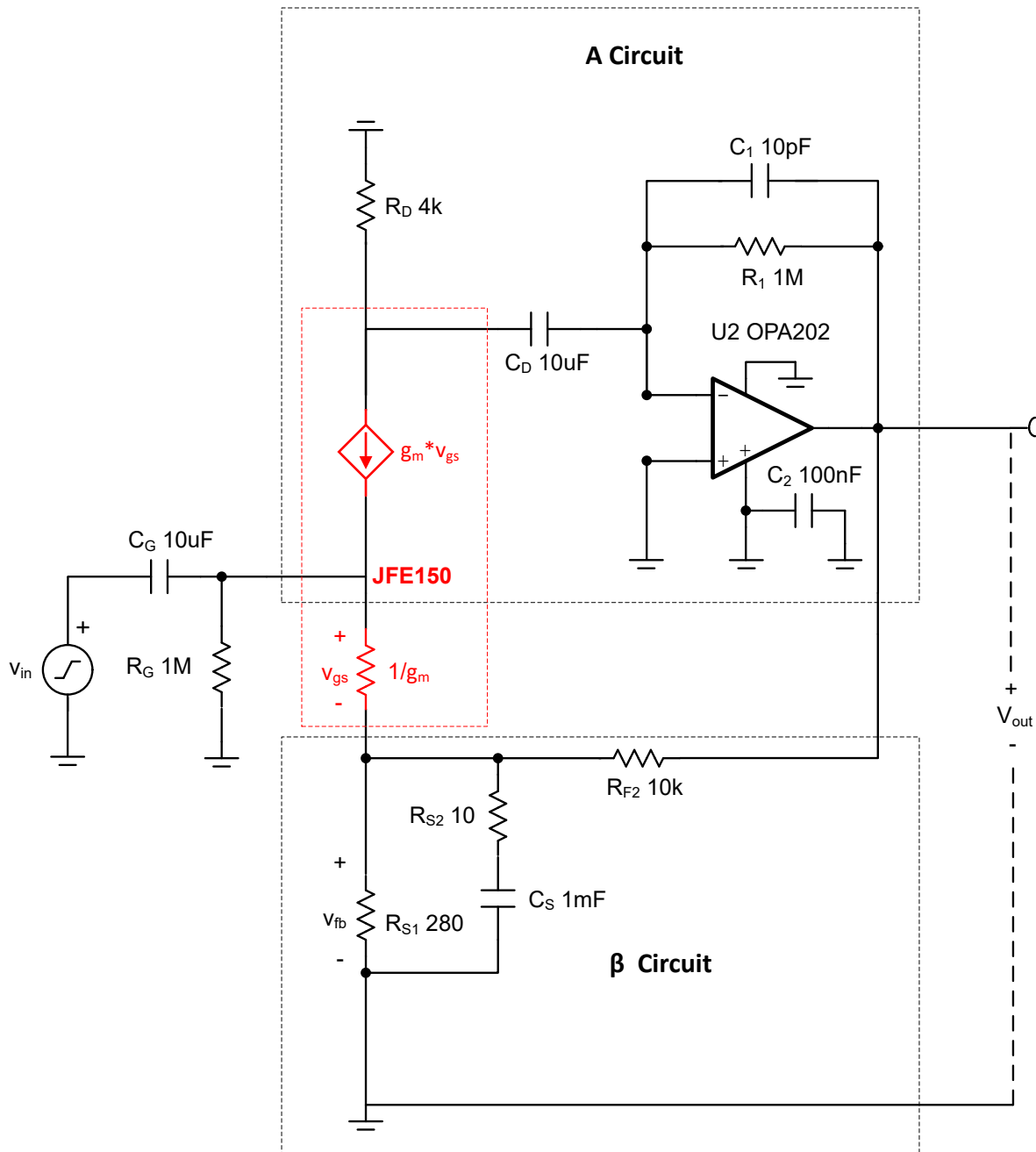


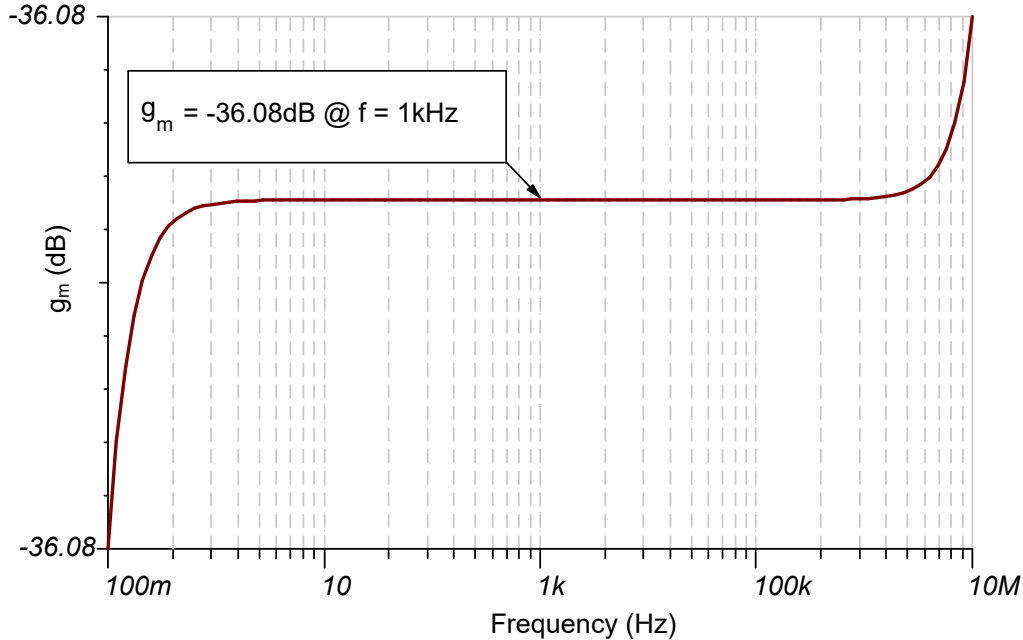
Figure 2-1. Pre-Amp With JFE150 Front End Small Signal T-Model

Combined with resistor  $R_1$ , the OPA202 forms a transimpedance amplifier that converts the current  $g_m \times v_{gs}$  to a voltage,  $v_{out}$ . The OPA202 drives the loop to keep its input terminals approximately equal. As a result, most of the current  $g_m \times v_{gs}$  flows through resistor  $R_1$  in the mid-band frequencies, producing an amplified voltage at  $v_{out}$ . Equation 1 calculates the feedforward gain ( $A_V$ ):

$$A_V = g_m \left( \frac{mA}{V} \right) \times R_1 (\Omega) \quad (1)$$

Convert  $g_m$  from decibels to Siemens (mA/V) or  $\Omega^{-1}$ , as shown in Equation 2, using the simulated measurement from Figure 2-2.

$$g_m = 10^{\left( \frac{-36.08 \text{ dB}}{20 \text{ dB}} \right)} = 15.7 \text{ ms} \quad (2)$$



**Figure 2-2.  $g_m$  (dB) vs Frequency (Hz)**

Equation 3 and Equation 4 show that the feedforward gain is:

$$A_V = 15.7 \text{ ms} \times 1 \text{ M}\Omega = 15.7 \frac{kV}{V} \quad (3)$$

$$A_{dB} = 83.92 \text{ dB} \quad (4)$$

Because wafer process variations can yield up to 30% variations in  $g_m$ , adding a feedback network ( $\beta$ ) maintains a predictable closed-loop gain. The  $\beta$  feedback network consists of resistors  $R_{F2}$ ,  $R_{S1}$ , and  $R_{S2}$  and capacitor  $C_S$ , and is a series-shunt feedback network. The  $\beta$  network samples  $v_{out}$  by shunting the output of the OPA202 and feeds back a proportional voltage  $v_{fb}$  in series with  $v_{gs}$ . The source node of the JFET is the feedback-summing node of the circuit. In this configuration, the loop is closed. If  $v_{out}$  rises, then  $v_{fb}$  rises. An increase of  $v_{fb}$  at the source node decreases  $v_{gs}$ , resulting in a reduction of current  $g_m \times v_{gs}$  that flows through transimpedance resistor  $R_1$ . The final outcome is a reduction of  $v_{out}$  which completes the negative feedback loop of the pre-amplifier. The standard closed-loop gain ( $A_{cl}$ ) Equation 5 applies.

$$A_{cl} = \frac{A}{1 + A\beta} \quad (5)$$

Assuming the feed forward gain  $A$  is much greater than  $\beta$ ,  $A_{cl}$  is approximately determined by resistors  $R_{F2}$  and  $R_{S2}$  in the mid-band frequencies. At frequency,  $C_S$  becomes a short and  $A_{cl}$  can be approximately calculated using Equation 6.

$$A_{cl} \approx \frac{1}{\beta} \approx \frac{R_{F2}}{R_{S2}} + 1 \quad (6)$$

$$A_{cl} \approx 1001 \frac{V}{V} \text{ or } 60 \text{ dB} \quad (7)$$

Figure 2-3 shows the closed-loop gain vs frequency response of the JFET pre-amplifier circuit.

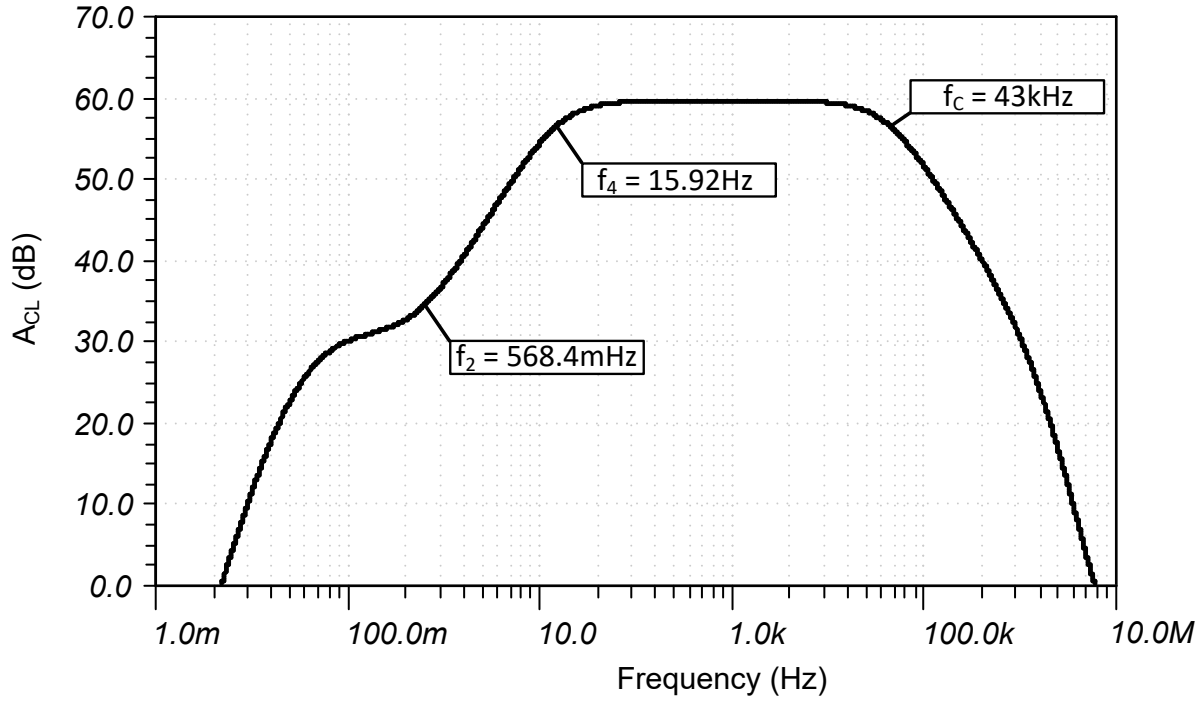


Figure 2-3.  $A_{CL}$  (dB) vs Frequency (Hz)

The loop parameters  $A$ , and  $1/\beta$  can be determined in simulation by breaking the loop. This is accomplished in a SPICE simulator by driving the loop with  $V_{Loop}$  as shown in Figure 2-4.

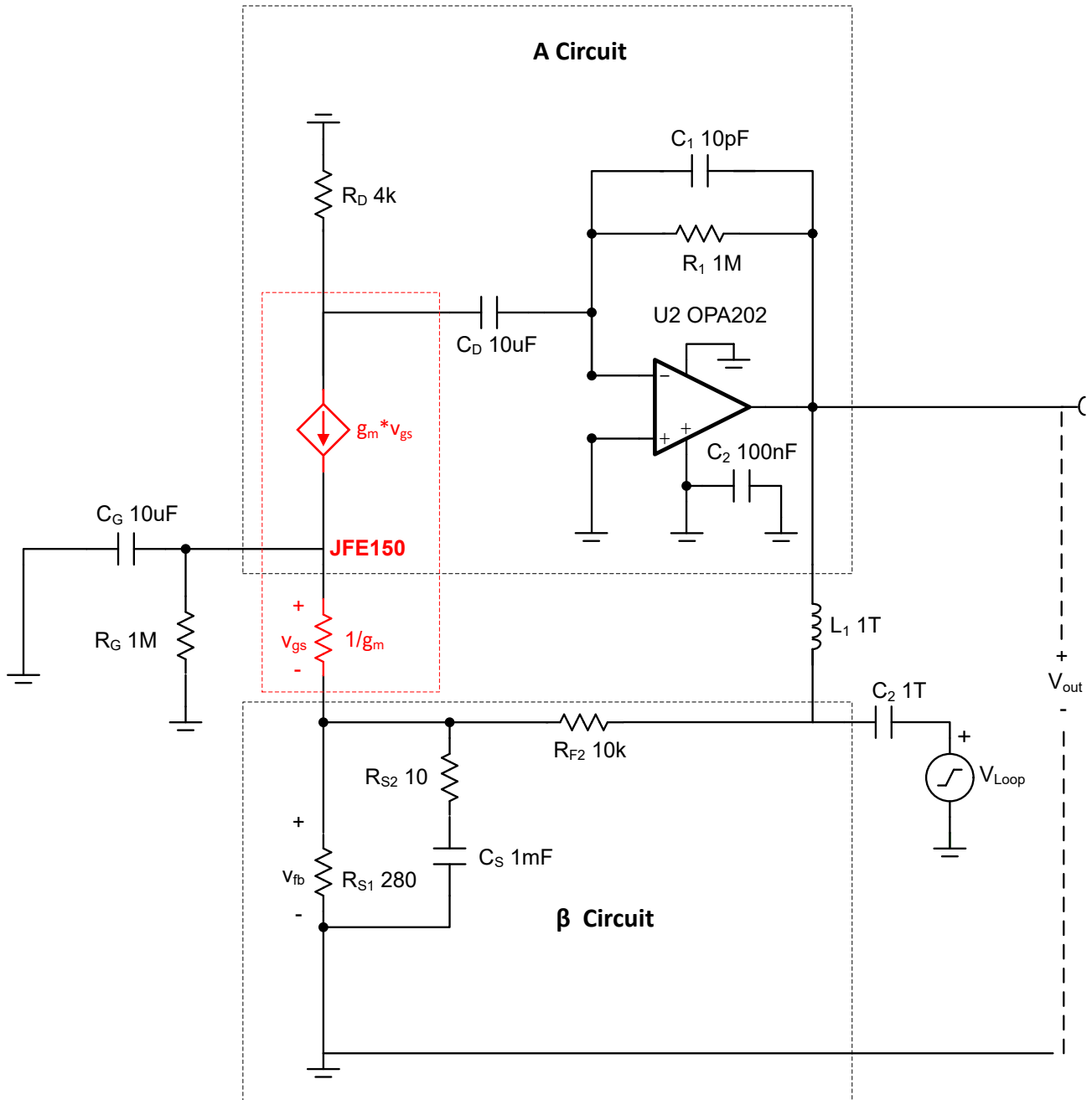
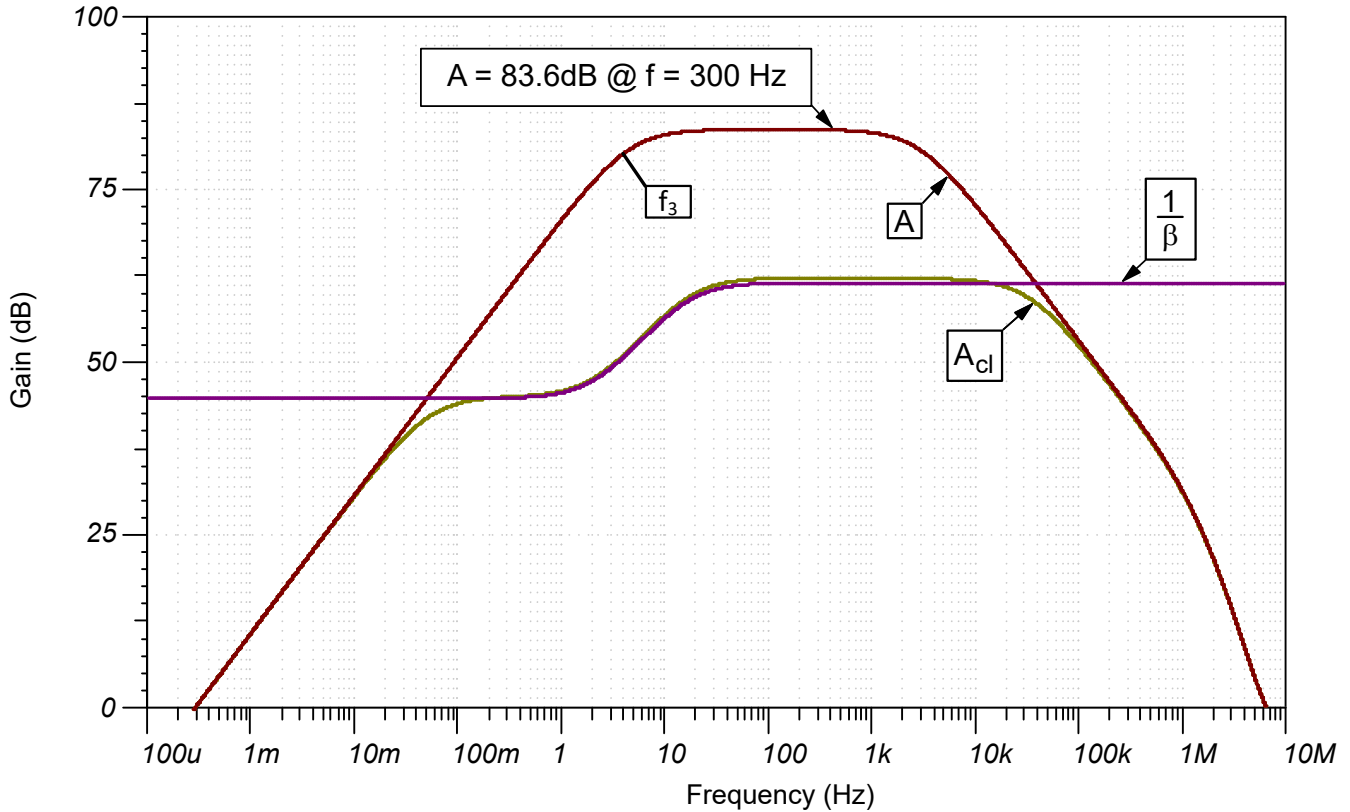


Figure 2-4. Loop Analysis for Pre-Amp With JFE150 Front End Using the Small-Signal T-Model

At high frequencies the inductor  $L_1$  is an open and the capacitor  $C_2$  is a short. This method isolates the circuits A and  $\beta$ , to plot the frequency response of each, as shown in Figure 2-5. The simulated feedforward gain A is 83.6 dB and closely matches the calculation from Equation 4. The upper  $-3$  dB point of  $A_{cl}$  occurs when A and  $1/\beta$  meet.



**Figure 2-5. Loop Parameters (dB) vs Frequency (Hz)**

The low-frequency corners  $f_1 - f_4$  are straightforward to determine and are shown in Figure 2-5, Figure 2-3, and Table 2-1. Frequency  $f_1$  determines the transfer function between  $v_{in}$  and the gate. Components  $R_G$  and  $C_G$  form a high-pass filter and the  $-3$  dB point of this transfer function occurs at 15.9 mHz.

**Table 2-1. RC Combinations and Corner Frequencies**

RC Combinations	Corner Frequencies
$f_1 = \frac{1}{2\pi \times R_G \times C_G}$	15.9 mHz
$f_2 = \frac{1}{2\pi \times R_{S1} \times C_{S1}}$	568.4 mHz
$f_3 = \frac{1}{2\pi \times R_D \times C_D}$	3.98 Hz (See curve A in Figure 2-5)
$f_4 = \frac{1}{2\pi \times R_{S2} \times C_{S1}}$	15.92 Hz

Breaking the loop also allows the designer to check for circuit stability as shown with the loop gain ( $A \times \beta$ ) phase plot in Figure 2-6. The phase margin of this circuit is determined by starting the analysis when the phase of  $A \times \beta$  is  $-180^\circ$ . Figure 2-6 show that this occurs at  $f = 3.98 \text{ Hz}$ . The reason for starting at  $-180^\circ$  is because  $C_D$  does not contribute to the phase margin. Capacitor  $C_D$  adds a  $90^\circ$  shift from the starting point of the analysis and is a high-pass filter zero. This can be seen in simulation by varying the value of  $C_D$  from  $10 \mu\text{F}$  to  $5 \text{ F}$  or through tedious hand calculations. The phase margin =  $267.4 - 180 = 87.4^\circ$ .

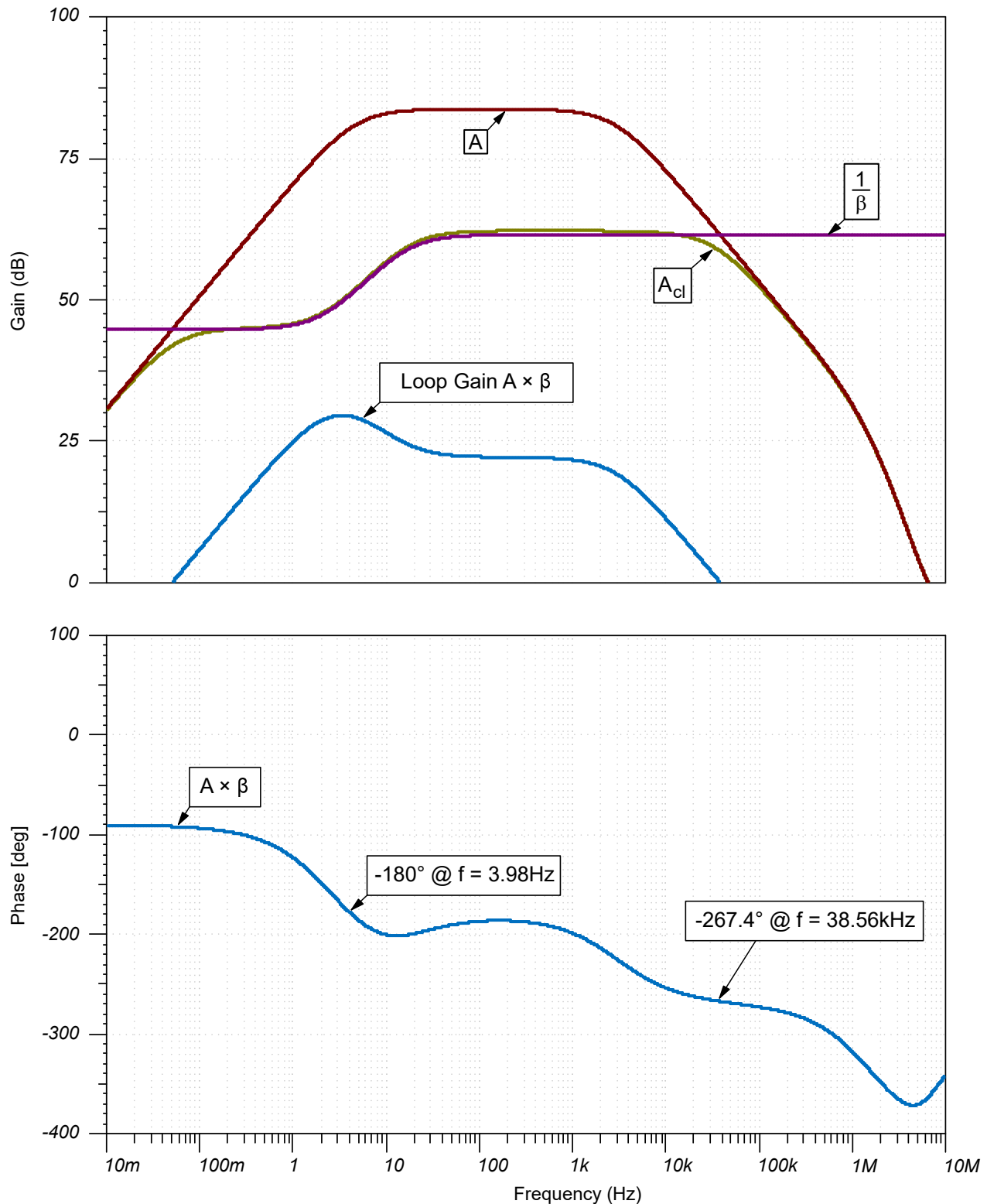
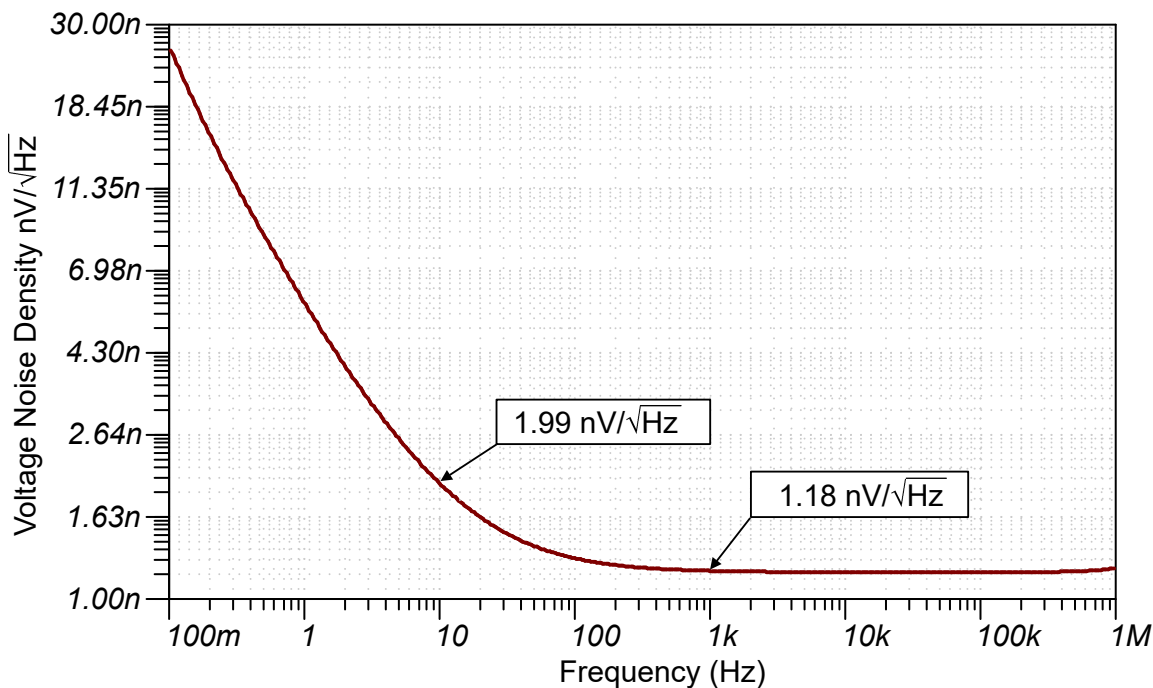


Figure 2-6. Stability Analysis



### 3 Noise

The JFE150 pre-amplifier circuit provides very high gain at 60 dB and a flat frequency response from approximately 16 Hz up to 43 kHz. The clean roll-off at the corner frequencies provides a natural-sounding filter for audio signals without sounding abrupt at the low and high ends. This closed-loop solution also offers very low input-referred noise of 1.99 nV/ $\sqrt{\text{Hz}}$  in the 1/f region at 10 Hz and 1.18 nV/ $\sqrt{\text{Hz}}$  in the broadband region at 1 kHz, as shown in Figure 3-1. Make sure to provide a clean power supply to this circuit to not degrade its remarkable performance.



**Figure 3-1. Circuit Noise nV/ $\sqrt{\text{Hz}}$  vs Frequency (Hz) Using an Input Referred Noise Analysis Simulation**

### 4 Summary

Amplification of small signals in applications such as professional microphones, audio interfaces, mixers, turntables, and guitar amplifiers is very challenging. These types of applications benefit from the bias flexibility, high-input impedance, and low noise that a discrete JFET offers.

## IMPORTANT NOTICE AND DISCLAIMER

TI PROVIDES TECHNICAL AND RELIABILITY DATA (INCLUDING DATA SHEETS), DESIGN RESOURCES (INCLUDING REFERENCE DESIGNS), APPLICATION OR OTHER DESIGN ADVICE, WEB TOOLS, SAFETY INFORMATION, AND OTHER RESOURCES "AS IS" AND WITH ALL FAULTS, AND DISCLAIMS ALL WARRANTIES, EXPRESS AND IMPLIED, INCLUDING WITHOUT LIMITATION ANY IMPLIED WARRANTIES OF MERCHANTABILITY, FITNESS FOR A PARTICULAR PURPOSE OR NON-INFRINGEMENT OF THIRD PARTY INTELLECTUAL PROPERTY RIGHTS.

These resources are intended for skilled developers designing with TI products. You are solely responsible for (1) selecting the appropriate TI products for your application, (2) designing, validating and testing your application, and (3) ensuring your application meets applicable standards, and any other safety, security, regulatory or other requirements.

These resources are subject to change without notice. TI grants you permission to use these resources only for development of an application that uses the TI products described in the resource. Other reproduction and display of these resources is prohibited. No license is granted to any other TI intellectual property right or to any third party intellectual property right. TI disclaims responsibility for, and you will fully indemnify TI and its representatives against, any claims, damages, costs, losses, and liabilities arising out of your use of these resources.

TI's products are provided subject to [TI's Terms of Sale](#) or other applicable terms available either on [ti.com](http://ti.com) or provided in conjunction with such TI products. TI's provision of these resources does not expand or otherwise alter TI's applicable warranties or warranty disclaimers for TI products.

TI objects to and rejects any additional or different terms you may have proposed.

Mailing Address: Texas Instruments, Post Office Box 655303, Dallas, Texas 75265  
Copyright © 2022, Texas Instruments Incorporated