

# TLC5916 One-Wire Control – Eliminating Microprocessor Control for LED Driver

Michael Day

Power/DC-DC Converter Applications

## ABSTRACT

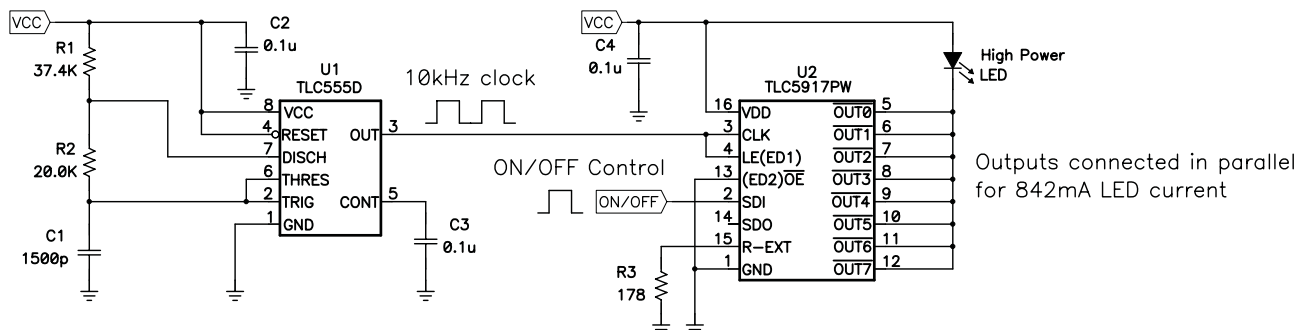
This application report describes how to configure and operate the TLC5916, TLC5917, TLC5926, and TLC5927 LED drivers with a single control signal. This eliminates the need for a microprocessor in cost-sensitive applications.

Dedicated LED drivers are necessary when an application requires a constant LED current that is independent of input voltage, temperature, and differences in LED forward voltage drops resulting from uncontrolled manufacturing processes. Higher end LED drivers incorporate features such as dot correction (see [SLYT225](#)) to precisely change the LEDs' analog currents to match LED brightness, PWM dimming to reduce an LED's brightness while maintaining accurate color, global brightness control to dim all LED's brightness simultaneously, LED open and short detection, as well as other features. These LED drivers require microprocessor control, even when the user does not need these features. The TLC5916 family are cost-optimized LED drivers with simple on/off control, but they still need microprocessor control. For cost-sensitive applications that only require a controlled forward current, the TLC5916 can be driven with a single data line or from a simple 555 timer.

The TLC5916 drives eight independent constant-current sinks. Normally, a microprocessor drives the  $\overline{OE}$  (output enable), LE (latch), CLK (clock), and SDI (serial-data input) pins with four separate GPIO pins, which allow current sink to be independently turned on and off. If independent LED control is not needed, the TLC5916 can be turned on with a single clock signal or 555 timer.

- $\overline{OE}$  – enables and disables all outputs
- SDI – the data clocked into this pin programs each output to be on or off.
- CLK – The rising edge of the CLK shifts SDI data into internal shift registers.
- LE – The falling edge of LE latches data from the internal shift registers into the internal on/off latches.

Close examination of the TLC5916 timing diagram reveals that a single PWM signal can replace the CLK and LE inputs because the rising edge of CLK shifts data into the IC and the falling edge of LE latches the data. [Figure 1](#) shows how to configure the TLC5916 to operate from a single clock signal.

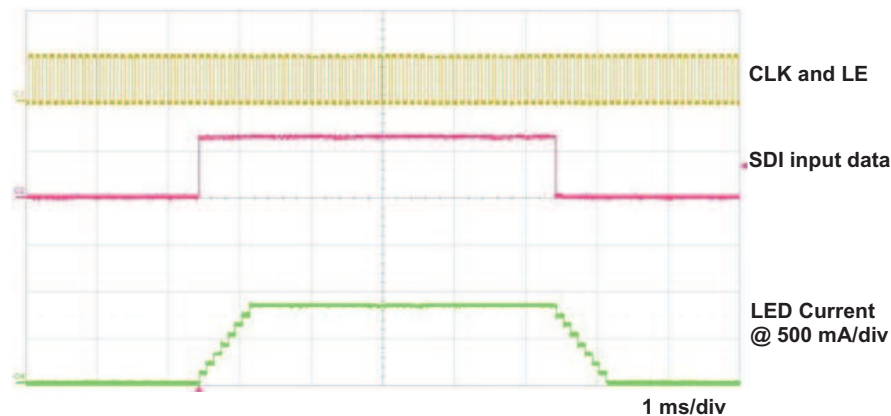


**Figure 1. TLC5916 Driven by 555 Timer**

$\overline{OE}$  must be connected to ground to enable the IC. SDI can be connected to VCC to shift 1's into the IC to

LinCMOS is a trademark of Texas Instruments.

turn all outputs on and can be connected to ground to shift all 0's into the IC to turn all outputs off. CLK and LE can be connected to any type of PWM signal. Turnon and turnoff times with this circuit depend on the clock frequency. At power up, the TLC5916's internal on/off latches that turn each output on or off default to 0, so these latches must be set to 1 before the outputs turn on. Each rising and falling edge of the clock signal sequentially turns on each output, starting with OUT0. Therefore, it takes eight clock cycles to turn all LEDs on. Pulling SDI low turns all LEDs off after eight clock cycles. Figure 2 shows the TLC5916 turnon and turnoff when configured as shown in Figure 1.



**Figure 2. LED Turnon and Turnoff With 10-kHz Clock**

Note that Figure 1 shows all TLC5916 outputs connected in parallel to drive a single, high-brightness LED. The TLC5916 outputs can either drive eight independent LEDs, or its outputs can be paralleled to drive higher power LEDs. In Figure 1,  $R_3 = 178 \Omega$ , which sets each output current at 105.3 mA. Connecting all outputs in parallel yields  $105.3 \text{ mA} \times 8 = 842.4 \text{ mA}$  of LED current.

#### References

1. *TLC5916/17, 8-Bit Constant-Current LED Sink Drivers* data sheet ([SLVS695](#))
2. *TLC5926/27, 16-Channel Constant-Current LED Sink Drivers* data sheet ([SLVS677](#))
3. *TLC5940 One-Wire Control -- Eliminating Microprocessor Control for Integrated LED Driver* application report ([SLVA259](#))
4. *TLC555, LinCMOS™ Timer* data sheet ([SLFS043](#))
5. *TLC5940 dot correction compensates for variations in LED brightness* technical article ([SLYT225](#))

## IMPORTANT NOTICE

Texas Instruments Incorporated and its subsidiaries (TI) reserve the right to make corrections, modifications, enhancements, improvements, and other changes to its products and services at any time and to discontinue any product or service without notice. Customers should obtain the latest relevant information before placing orders and should verify that such information is current and complete. All products are sold subject to TI's terms and conditions of sale supplied at the time of order acknowledgment.

TI warrants performance of its hardware products to the specifications applicable at the time of sale in accordance with TI's standard warranty. Testing and other quality control techniques are used to the extent TI deems necessary to support this warranty. Except where mandated by government requirements, testing of all parameters of each product is not necessarily performed.

TI assumes no liability for applications assistance or customer product design. Customers are responsible for their products and applications using TI components. To minimize the risks associated with customer products and applications, customers should provide adequate design and operating safeguards.

TI does not warrant or represent that any license, either express or implied, is granted under any TI patent right, copyright, mask work right, or other TI intellectual property right relating to any combination, machine, or process in which TI products or services are used. Information published by TI regarding third-party products or services does not constitute a license from TI to use such products or services or a warranty or endorsement thereof. Use of such information may require a license from a third party under the patents or other intellectual property of the third party, or a license from TI under the patents or other intellectual property of TI.

Reproduction of TI information in TI data books or data sheets is permissible only if reproduction is without alteration and is accompanied by all associated warranties, conditions, limitations, and notices. Reproduction of this information with alteration is an unfair and deceptive business practice. TI is not responsible or liable for such altered documentation. Information of third parties may be subject to additional restrictions.

Resale of TI products or services with statements different from or beyond the parameters stated by TI for that product or service voids all express and any implied warranties for the associated TI product or service and is an unfair and deceptive business practice. TI is not responsible or liable for any such statements.

TI products are not authorized for use in safety-critical applications (such as life support) where a failure of the TI product would reasonably be expected to cause severe personal injury or death, unless officers of the parties have executed an agreement specifically governing such use. Buyers represent that they have all necessary expertise in the safety and regulatory ramifications of their applications, and acknowledge and agree that they are solely responsible for all legal, regulatory and safety-related requirements concerning their products and any use of TI products in such safety-critical applications, notwithstanding any applications-related information or support that may be provided by TI. Further, Buyers must fully indemnify TI and its representatives against any damages arising out of the use of TI products in such safety-critical applications.

TI products are neither designed nor intended for use in military/aerospace applications or environments unless the TI products are specifically designated by TI as military-grade or "enhanced plastic." Only products designated by TI as military-grade meet military specifications. Buyers acknowledge and agree that any such use of TI products which TI has not designated as military-grade is solely at the Buyer's risk, and that they are solely responsible for compliance with all legal and regulatory requirements in connection with such use.

TI products are neither designed nor intended for use in automotive applications or environments unless the specific TI products are designated by TI as compliant with ISO/TS 16949 requirements. Buyers acknowledge and agree that, if they use any non-designated products in automotive applications, TI will not be responsible for any failure to meet such requirements.

Following are URLs where you can obtain information on other Texas Instruments products and application solutions:

### Products

Amplifiers	<a href="http://amplifier.ti.com">amplifier.ti.com</a>
Data Converters	<a href="http://dataconverter.ti.com">dataconverter.ti.com</a>
DLP® Products	<a href="http://www.dlp.com">www.dlp.com</a>
DSP	<a href="http://dsp.ti.com">dsp.ti.com</a>
Clocks and Timers	<a href="http://www.ti.com/clocks">www.ti.com/clocks</a>
Interface	<a href="http://interface.ti.com">interface.ti.com</a>
Logic	<a href="http://logic.ti.com">logic.ti.com</a>
Power Mgmt	<a href="http://power.ti.com">power.ti.com</a>
Microcontrollers	<a href="http://microcontroller.ti.com">microcontroller.ti.com</a>
RFID	<a href="http://www.ti-rfid.com">www.ti-rfid.com</a>
RF/IF and ZigBee® Solutions	<a href="http://www.ti.com/lprf">www.ti.com/lprf</a>

### Applications

Audio	<a href="http://www.ti.com/audio">www.ti.com/audio</a>
Automotive	<a href="http://www.ti.com/automotive">www.ti.com/automotive</a>
Broadband	<a href="http://www.ti.com/broadband">www.ti.com/broadband</a>
Digital Control	<a href="http://www.ti.com/digitalcontrol">www.ti.com/digitalcontrol</a>
Medical	<a href="http://www.ti.com/medical">www.ti.com/medical</a>
Military	<a href="http://www.ti.com/military">www.ti.com/military</a>
Optical Networking	<a href="http://www.ti.com/opticalnetwork">www.ti.com/opticalnetwork</a>
Security	<a href="http://www.ti.com/security">www.ti.com/security</a>
Telephony	<a href="http://www.ti.com/telephony">www.ti.com/telephony</a>
Video & Imaging	<a href="http://www.ti.com/video">www.ti.com/video</a>
Wireless	<a href="http://www.ti.com/wireless">www.ti.com/wireless</a>

Mailing Address: Texas Instruments, Post Office Box 655303, Dallas, Texas 75265  
Copyright © 2009, Texas Instruments Incorporated