

How to Dynamically Adjust Power Module Output Voltage

ABSTRACT

This application note outlines how to dynamically adjust a dc-dc converter output voltage. Changing voltage regulator output on the fly can be useful for supply voltage margining, output tracking, optimizing load power consumption, adaptive voltage scaling (AVS), and supporting different system operating modes. Digital voltage programming techniques discussed utilize a current DAC (digital-to-analog converter) or a voltage DAC. The TPSM84A21 power module is used to demonstrate the concepts. This fully integrated voltage regulator combines a dc-dc converter with shielded inductors, input and output capacitors, and other passive components into a low profile package.

1 General Concept

To dynamically adjust output voltage, a small amount of current is injected in the voltage regulator feedback network as shown in Figure 1. This changes the effective gain (V_{FB}/V_{OUT}) of the feedback network. A similar result would be observed if a resistor was connected in parallel with either the top or bottom feedback resistor. In some systems, resistors are switched in and out for output margining. Hence, another way of thinking of the current injected to the feedback node is to view it as adapting a virtual resistance. If positive current is injected at the feedback node (V_{FB}), it appears that the resistance of the top resistor (R_{TOP}) has decreased, and the output voltage decreases as a result. When current is pulled out (negative current), the output voltage increases because the bottom resistor (R_{BOT}) appears to have lower resistance. The following methods based on this concept allow for more control, flexibility, and precision than typical resistor based techniques.

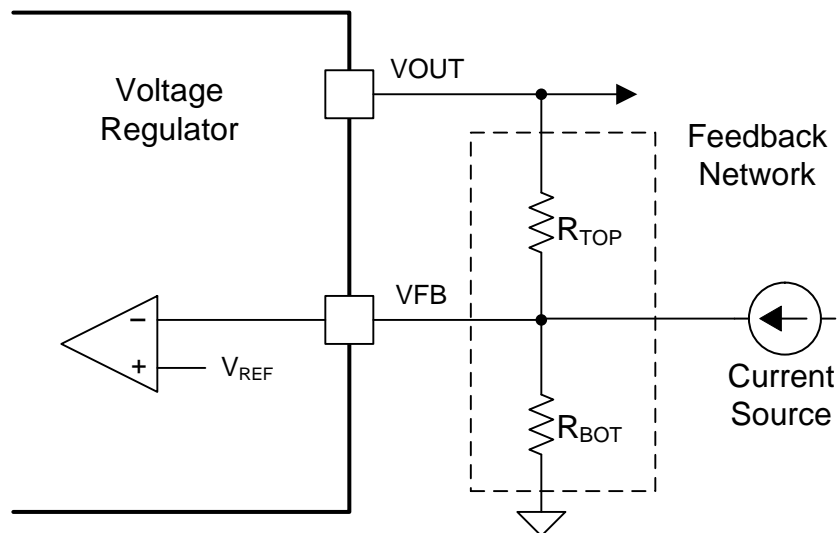


Figure 1. A Current is Injected at the Feedback Pin to Adjust the Output Voltage

2 Current DAC

A current DAC can be used to implement the current source that dynamically adjusts the output voltage. The current DAC output is digitally programmed to source current into the feedback node. An example current DAC is the [LM10011](#). An application note describing several configurations using that current DAC is ([SNVA709](#)).

There are two details to consider when using a current DAC with the TPSM84A21. First, there is a 1-k Ω resistor connected internally between the remote sense pin (VS+) and the feedback pin (VADJ) as shown in [Figure 2](#). With the top feedback resistor being a fixed 1-k Ω resistor, the current in the resistor divider can be up to 700 μ A with a 1.2-V output. This limits the range that the LM10011 current DAC is able to adjust the output voltage since the current DAC can provide up to 59 μ A.

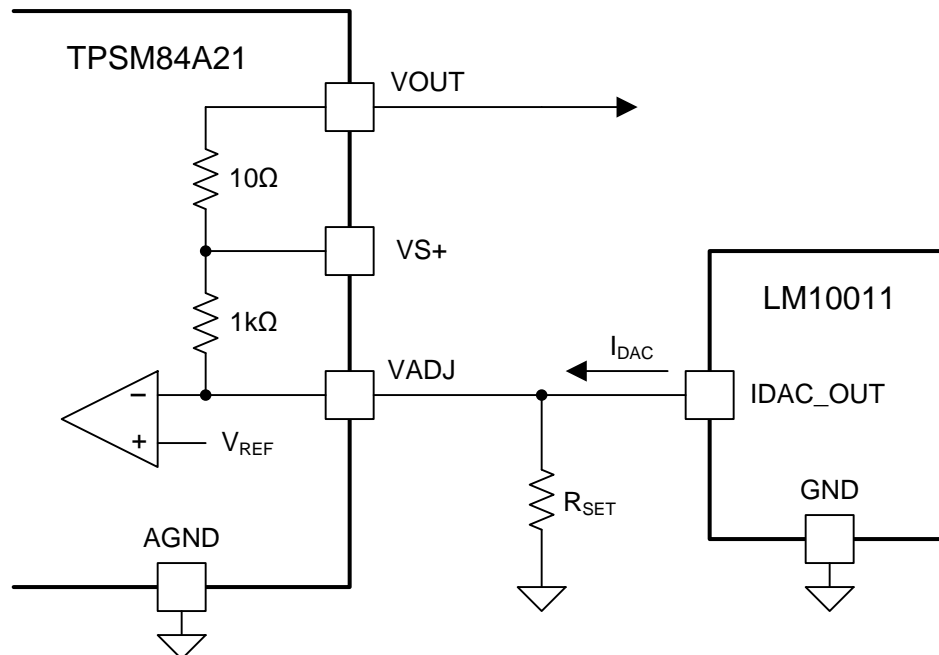


Figure 2. Using the LM10011 Current DAC to Adjust the output Voltage of the TPSM84A21

Second, there is an internal 10- Ω resistor connecting the remote voltage sense pin (VS+) to the output voltage pin (VOUT). This resistor is included to bring the converter output up to the desired voltage even if the remote sense pin is not connected to the output voltage node at the load. The internal resistor between the VS+ and VOUT pins prevents some of the configurations proposed in the [SNVA709](#). The combined result is that the range of output voltage adjustment with the LM10011 is limited to about 60 mV. An equation to estimate the output voltage based on the configuration shown in [Equation 1](#).

$$V_{\text{OUT}} = V_{\text{REF}} \times \left(1 + \frac{R_{\text{TOP}}}{R_{\text{SET}}} \right) - I_{\text{DAC}} \times R_{\text{TOP}} \quad (1)$$

For the TPSM84A21, $V_{\text{REF}} = 0.508$ V and $R_{\text{TOP}} = 1$ k Ω if the remote sense pin is connected to the output voltage regulation point using a trace on the board. If left unconnected, $R_{\text{TOP}} = 1.01$ k Ω . R_{SET} is selected based on the desired output voltage. If the current DAC can only source current, R_{SET} is chosen to set the maximum output voltage; the current DAC will margin the output voltage down.

3 Voltage DAC

A voltage source is an effective option for dynamically adjusting the output voltage of the TPSM84A21. The diagram in Figure 3 shows how a voltage DAC can be connected to the feedback network through a resistor labeled R_{DAC} . When implementing this approach, it is best to place resistors R_{SET} and R_{DAC} as close to the converter VADJ pin as possible for noise immunity. The VADJ pin is a sensitive feedback control pin.

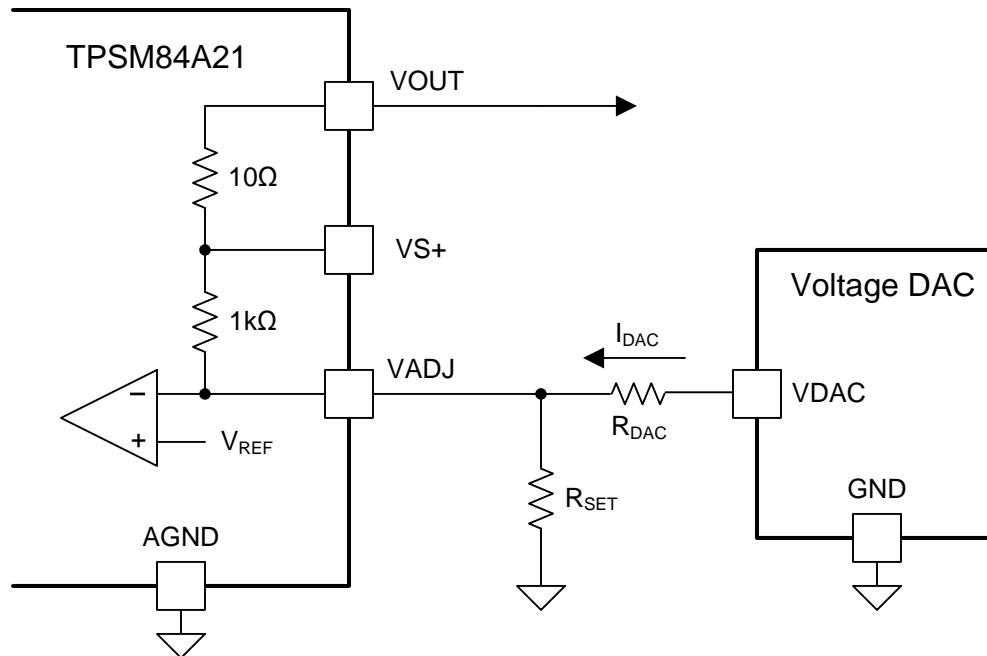


Figure 3. Using a Voltage DAC to Adjust the Output Voltage of the TPSM84A21

The current flowing in to the feedback pin (VADJ) from the voltage DAC is:

$$I_{DAC} = \frac{V_{DAC} - V_{REF}}{R_{DAC}} \quad (2)$$

If V_{DAC} is greater than V_{REF} , the current flowing in to the feedback pin is positive and the output voltage of the converter will decrease. If V_{DAC} is less than V_{REF} and the voltage DAC is capable of sinking current, the output voltage will increase. The output voltage can be estimated using [Equation 3](#).

$$V_{OUT} = V_{REF} \times \left(1 + \frac{R_{TOP}}{R_{SET}} \right) - \left(\frac{V_{DAC} - V_{REF}}{R_{DAC}} \right) \times R_{TOP} \quad (3)$$

Figure 4 shows measured results from an experimental test implementing the Figure 3 setup. The value of R_{DAC} is $10\text{ k}\Omega$, the converter input voltage is 12 V , and the output current is 5 A . The results in Figure 4 also apply to the operating conditions of 8-V to 14-V input, 0-A to 10-A load. The three curves in Figure 3 show the output voltage versus DAC voltage for three different R_{SET} values. As can be seen from the curves, the output voltage adjustment range is a little over 200 mV in each case.

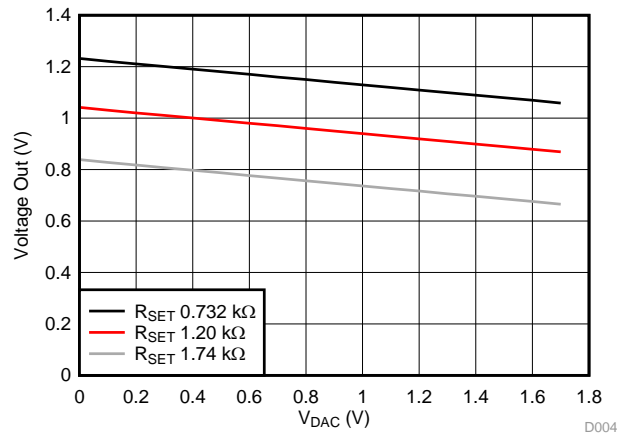


Figure 4. Measured Output Voltage Adjustment with Variation in the DAC Voltage

4 Conclusion

Dynamic output voltage adjustment is a useful feature for many dc-dc converters. This application note has described two methods of implementing dynamic adjustment. One technique provides a current source from a current DAC; the other technique utilizes a voltage source from a voltage DAC. It is important to consider the output voltage range when selecting a design. The slew rate of the voltage adjustment should also be considered. Large, fast changes in the output voltage command can result in the converter hitting an overcurrent limit, especially if there is a large output capacitance. It may be necessary to take a few small steps to reach the new desired output voltage level. Measured results from the TPSM84A21 are included in the note. The same techniques can be applied to other power modules like the TPSM84A22.

5 Trademarks

All trademarks are the property of their respective owners.

IMPORTANT NOTICE

Texas Instruments Incorporated and its subsidiaries (TI) reserve the right to make corrections, enhancements, improvements and other changes to its semiconductor products and services per JESD46, latest issue, and to discontinue any product or service per JESD48, latest issue. Buyers should obtain the latest relevant information before placing orders and should verify that such information is current and complete. All semiconductor products (also referred to herein as "components") are sold subject to TI's terms and conditions of sale supplied at the time of order acknowledgment.

TI warrants performance of its components to the specifications applicable at the time of sale, in accordance with the warranty in TI's terms and conditions of sale of semiconductor products. Testing and other quality control techniques are used to the extent TI deems necessary to support this warranty. Except where mandated by applicable law, testing of all parameters of each component is not necessarily performed.

TI assumes no liability for applications assistance or the design of Buyers' products. Buyers are responsible for their products and applications using TI components. To minimize the risks associated with Buyers' products and applications, Buyers should provide adequate design and operating safeguards.

TI does not warrant or represent that any license, either express or implied, is granted under any patent right, copyright, mask work right, or other intellectual property right relating to any combination, machine, or process in which TI components or services are used. Information published by TI regarding third-party products or services does not constitute a license to use such products or services or a warranty or endorsement thereof. Use of such information may require a license from a third party under the patents or other intellectual property of the third party, or a license from TI under the patents or other intellectual property of TI.

Reproduction of significant portions of TI information in TI data books or data sheets is permissible only if reproduction is without alteration and is accompanied by all associated warranties, conditions, limitations, and notices. TI is not responsible or liable for such altered documentation. Information of third parties may be subject to additional restrictions.

Resale of TI components or services with statements different from or beyond the parameters stated by TI for that component or service voids all express and any implied warranties for the associated TI component or service and is an unfair and deceptive business practice. TI is not responsible or liable for any such statements.

Buyer acknowledges and agrees that it is solely responsible for compliance with all legal, regulatory and safety-related requirements concerning its products, and any use of TI components in its applications, notwithstanding any applications-related information or support that may be provided by TI. Buyer represents and agrees that it has all the necessary expertise to create and implement safeguards which anticipate dangerous consequences of failures, monitor failures and their consequences, lessen the likelihood of failures that might cause harm and take appropriate remedial actions. Buyer will fully indemnify TI and its representatives against any damages arising out of the use of any TI components in safety-critical applications.

In some cases, TI components may be promoted specifically to facilitate safety-related applications. With such components, TI's goal is to help enable customers to design and create their own end-product solutions that meet applicable functional safety standards and requirements. Nonetheless, such components are subject to these terms.

No TI components are authorized for use in FDA Class III (or similar life-critical medical equipment) unless authorized officers of the parties have executed a special agreement specifically governing such use.

Only those TI components which TI has specifically designated as military grade or "enhanced plastic" are designed and intended for use in military/aerospace applications or environments. Buyer acknowledges and agrees that any military or aerospace use of TI components which have **not** been so designated is solely at the Buyer's risk, and that Buyer is solely responsible for compliance with all legal and regulatory requirements in connection with such use.

TI has specifically designated certain components as meeting ISO/TS16949 requirements, mainly for automotive use. In any case of use of non-designated products, TI will not be responsible for any failure to meet ISO/TS16949.

Products

Audio	www.ti.com/audio
Amplifiers	amplifier.ti.com
Data Converters	dataconverter.ti.com
DLP® Products	www.dlp.com
DSP	dsp.ti.com
Clocks and Timers	www.ti.com/clocks
Interface	interface.ti.com
Logic	logic.ti.com
Power Mgmt	power.ti.com
Microcontrollers	microcontroller.ti.com
RFID	www.ti-rfid.com
OMAP Applications Processors	www.ti.com/omap
Wireless Connectivity	www.ti.com/wirelessconnectivity

Applications

Automotive and Transportation	www.ti.com/automotive
Communications and Telecom	www.ti.com/communications
Computers and Peripherals	www.ti.com/computers
Consumer Electronics	www.ti.com/consumer-apps
Energy and Lighting	www.ti.com/energy
Industrial	www.ti.com/industrial
Medical	www.ti.com/medical
Security	www.ti.com/security
Space, Avionics and Defense	www.ti.com/space-avionics-defense
Video and Imaging	www.ti.com/video

TI E2E Community

e2e.ti.com