

Closed Loop Constant Power Drive to Simplify Heater Element Control and Extend Battery Life



Ivan De Padua, Chris Lande, Jim Perkins, and Dorian Brillet de Cande

ABSTRACT

Many applications require accurate temperature control of a heating element. Closed loop control based on temperature requires measurement of the heater temperature using a thermistor or thermocouple. This can sometimes be mechanically challenging and costly. Additionally, in battery powered applications, traditional PWM drive and associated high current pulses, can reduce battery life and lifetime.

Heater temperature is not linear with voltage or current due to changes in resistance with temperature. However, temperature is close to linear with applied power. By implementing a closed loop constant power drive the temperature can be controlled needing only to measure power and not temperature directly.

This reference design uses a closed loop constant power topology to drive a low impedance heater element. This application note includes the choices and challenges within the hardware and software implementation. The document also shows initial results and discusses advantages of this method of temperature control.

Table of Contents

1 Traditional Heater Control	2
2 Constant Power Heater Control	2
3 Hardware Implementation	3
4 Software Implementation	5
5 Software Algorithm Flow Chart	6
6 Results	7
7 Summary and Adaptations	9
8 References	9

Trademarks

All trademarks are the property of their respective owners.

1 Traditional Heater Control

Traditional heater control uses a temperature sensor to measure the temperature of the heating element as shown in [Figure 1-1](#). This measurement is fed back and used to adjust the drive circuitry to alter the current through the heating element maintaining the temperature at the required set point. This approach has a number of challenges. Firstly, the temperature sensor must be mounted close to or in contact with the heating element, which can be mechanically difficult. Secondly, high temperature measurement usually requires a thermocouple that needs complex interface circuitry.

Temperature responds relatively slowly compared to changes in the electrical signals, so it has been usual to use a simple FET switch PWM to modulate the current through the heating element at a higher electrical frequency and allow the slower thermal response to act as the loop low pass filter. This works perfectly well, but the fast switching edges can result in electrical noise. In addition, in a battery powered system, the large current pulses pulled from the source during the PWM pulses, can reduce battery life between charges and overall battery lifetime.

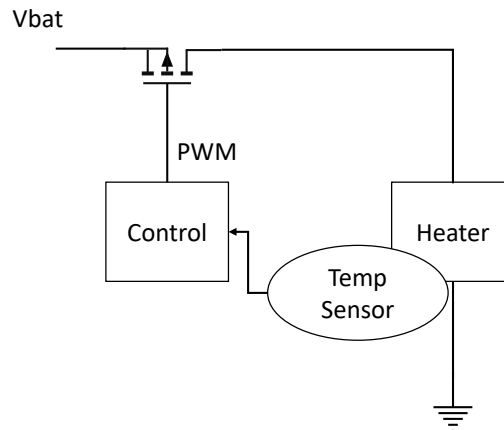


Figure 1-1. Traditional Heating Element Control Loop With Temperature Sensor

2 Constant Power Heater Control

The temperature of a resistive heating element is directly proportional to the power applied. Measuring the electrical power can be mechanically much simpler than measuring the temperature. Driving the element with constant power delivers constant temperature and adjusting the power adjusts the temperature. Unfortunately, the resistance of the heating element can vary significantly between batches and also changes over temperature. This means that both voltage and current need to be measured and the voltage applied needs to be adjusted to maintain constant power as the heater element resistance changes as seen in [Figure 2-1](#). The DC/DC converter controlling the applied voltage draws an average current from the supply which can extend the battery life.

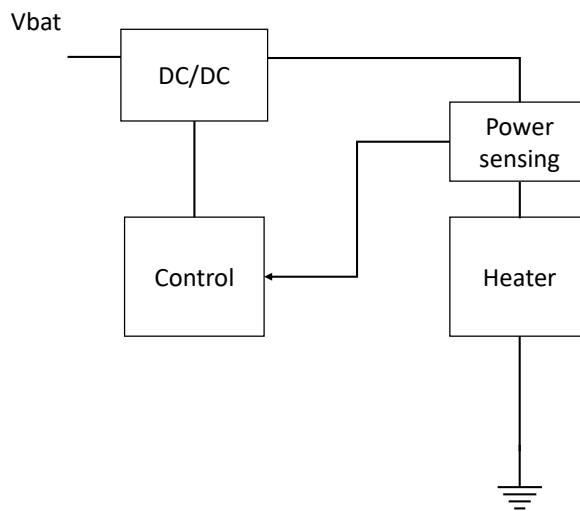


Figure 2-1. Constant Power Heater Control

3 Hardware Implementation

The constant power drive design requires hardware to measure the voltage across the heating element and the current through the heating element to calculate the power. This is achieved using the [INA234](#) which is a 28V, 12bit, I²C output current/voltage/power monitor. In this design the device measures the voltage directly across the heating element and the current through a high-side 10mΩ, ± 1%, 1W sense resistor. The devices then calculates the power and reports values for voltage, current and power via I²C.

For this example, we assume a 1Ω heating element that can vary by ± 20% across temperature and batch range. [Table 3-1](#) shows the required voltage and current for different power levels across the resistance range. The input voltage is 3.3V to 5.0V. This means a buck or step-down dc/dc regulator can be used for the whole range required. The applied voltage is controlled using the [TPS62868](#) which is a 2.4V to 5.5V input, synchronous buck converter with 4A output capability. Importantly, this device is I²C controlled which allows the output voltage to be easily adjusted.

Table 3-1. Voltage and Current for Different Power Levels and Different Resistances

Power (W)	Current (A) at 0.8Ω	Voltage (V) at 0.8Ω	Current (A) at 1.0Ω	Voltage (V) at 1.0Ω	Current (A) at 1.2Ω	Voltage (V) at 1.2Ω
4.0	2.24	1.79	2.00	2.00	1.83	2.19
5.0	2.50	2.00	2.24	2.24	2.04	2.45
6.0	2.74	2.19	2.45	2.45	2.24	2.68
7.0	2.96	2.37	2.65	2.65	2.42	2.90
8.0	3.16	2.53	2.83	2.83	2.58	3.10
9.0	3.35	2.68	3.00	3.00	2.74	3.29

The voltage, current and power is read from the INA234 via I²C using an [MSPM0L1306](#). This low cost microprocessor is also responsible for adjusting the output voltage of the [TPS62868](#) via I²C. The simplified and full circuit schematic can be seen respectively in [Figure 3-2](#) and [Figure 3-3](#).

Hardware Implementation

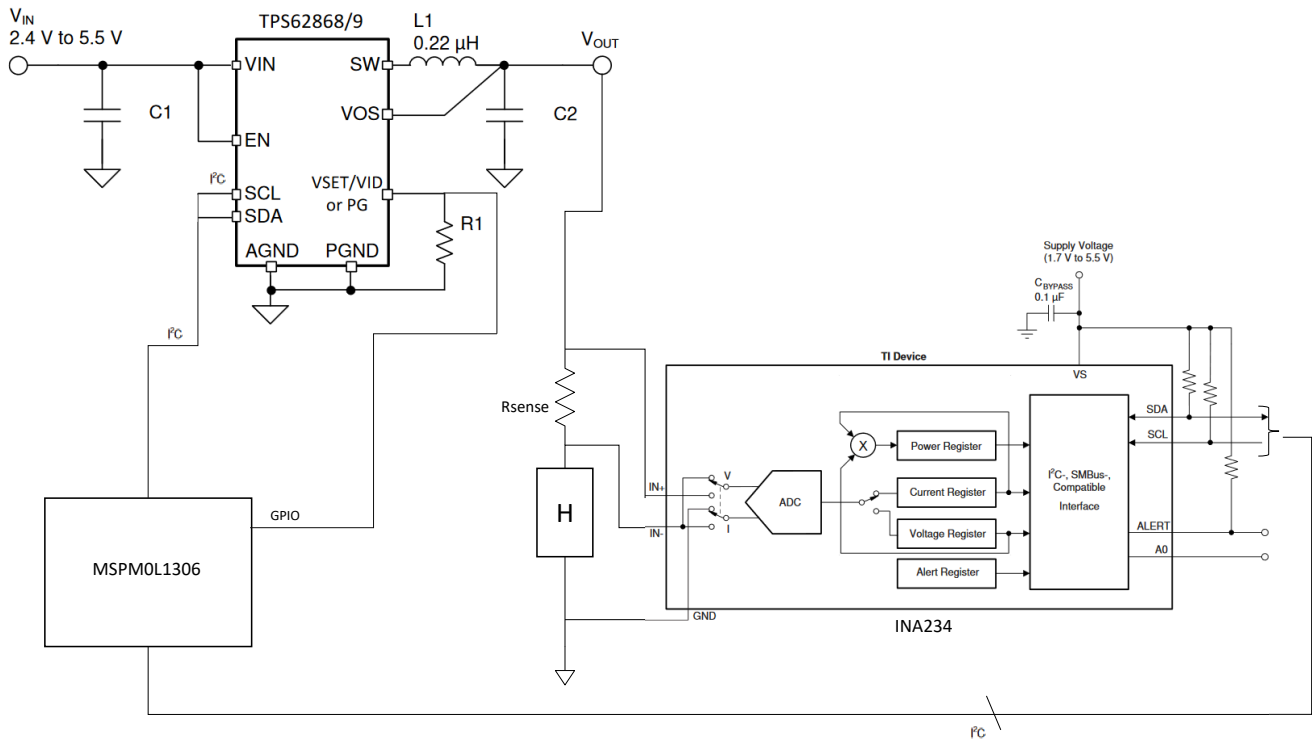


Figure 3-1. Simplified Constant Power Control Schematic

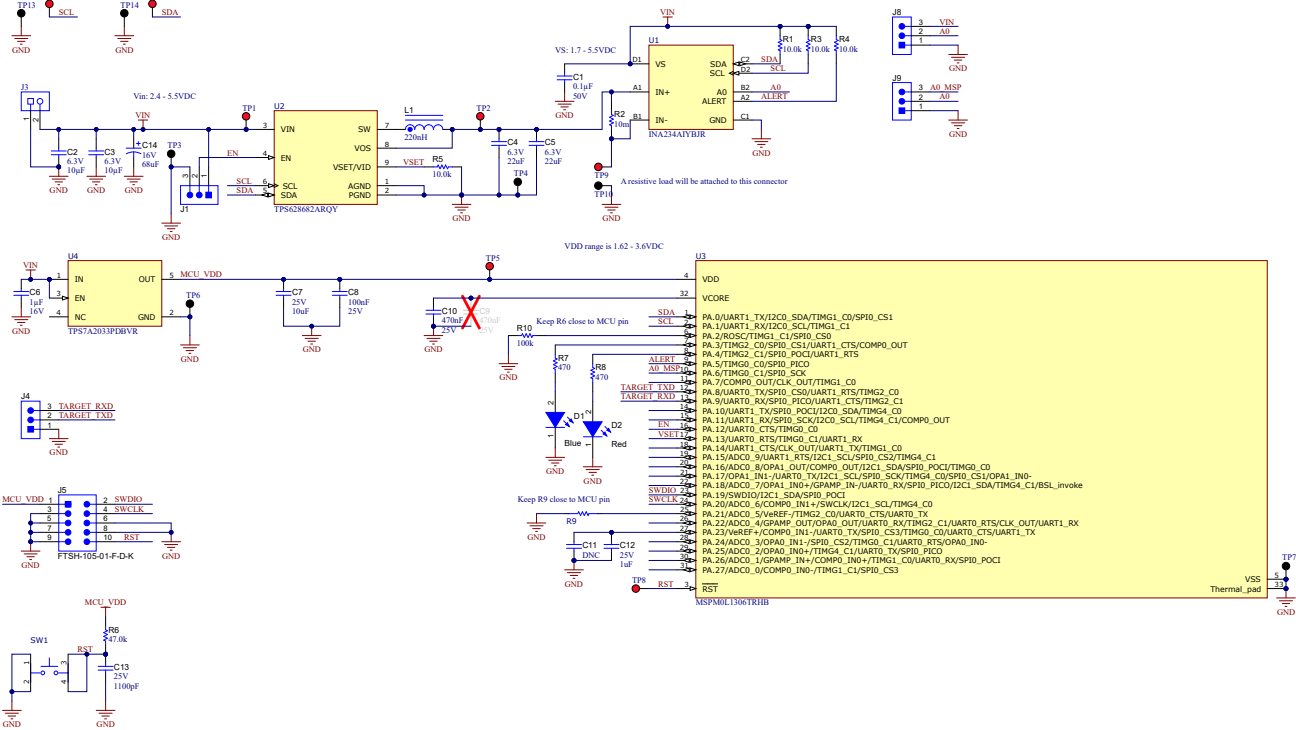


Figure 3-2. Constant Power Control Schematic

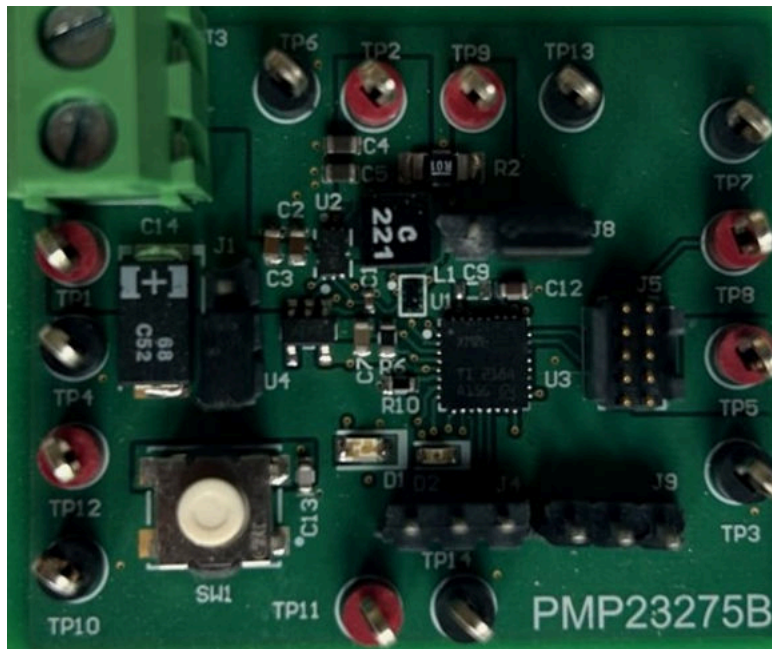


Figure 3-3. Constant Power Control PCBA

4 Software Implementation

At start-up, the software running in the [MSP0L1306](#) begins by initializing the I²C read/write function and then configures the [INA234](#) and [TPS62868](#) via I²C. The MSPM0L1306 is then able to read the voltage, current and power in the load resistor from the [INA234](#) using I²C and control the output voltage of the [TPS62868](#) also via I²C.

The constant power control algorithm is described in the flow chart shown in [Figure 5-1](#). The first step is to read the power `INA234_getPOWER_W(INA234)` through I²C and store it in the `measuredP` variable. The measured power is compared with the target power and a power error calculated.

The voltage change needed to correct the power error is calculated as the error scaled by a gain factor of 2. There is a limit applied to prevent excessive voltage changes; it is clamped to a range of ± 5 .

If the measured power is higher than the target power, the algorithm calculates a new voltage by decreasing the measured output voltage by the calculated voltage step. If the measured power is lower than the target value, the calculated voltage step is added to the measured output voltage. The output voltage of the [TPS62868](#) is then adjusted by writing the new voltage value to the output voltage register via I²C.

5 Software Algorithm Flow Chart

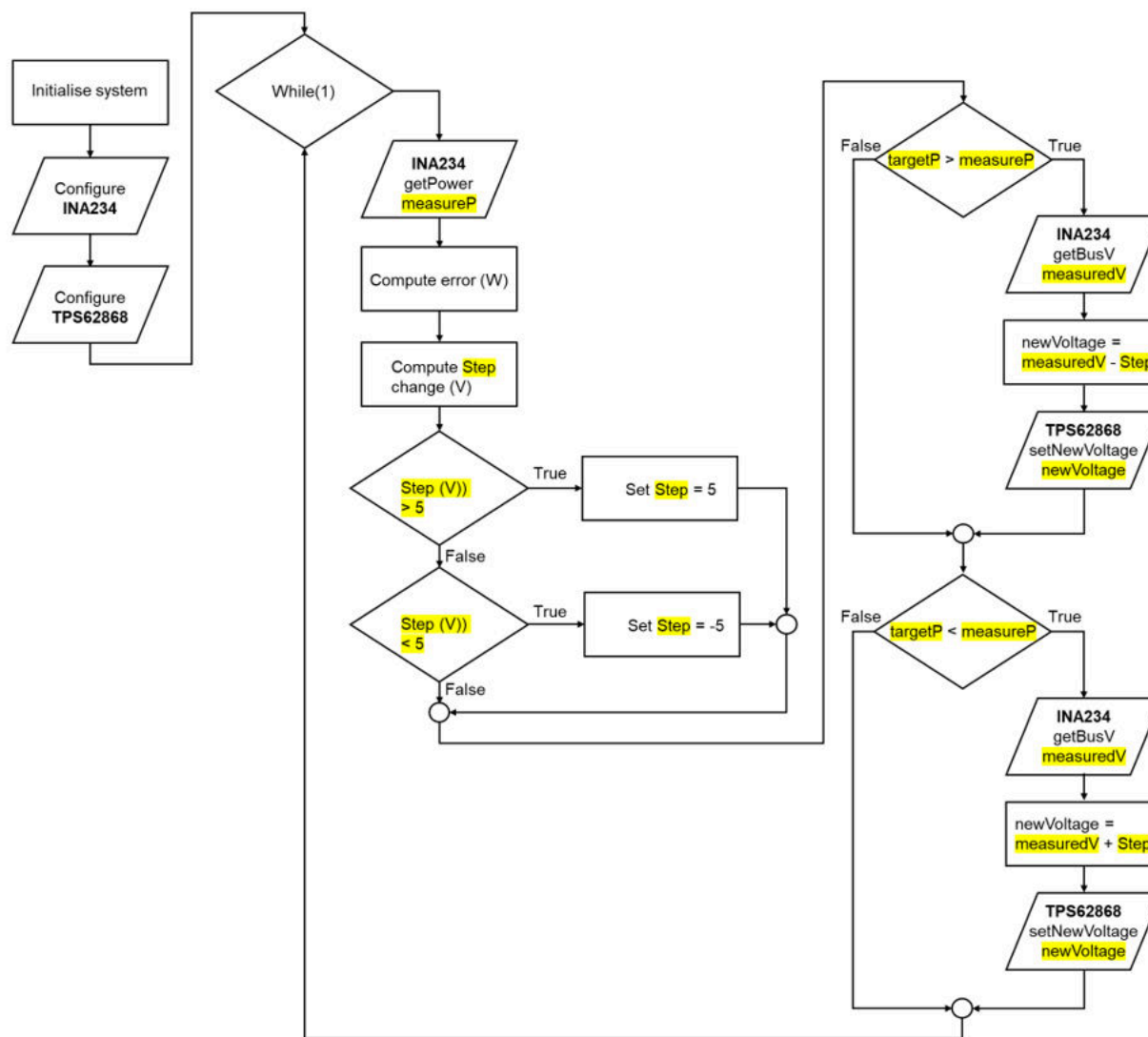


Figure 5-1. Software Algorithm Flow Chart

6 Results

Figure 6-1 shows the measured, steady-state temperature of a 1.5Ω nominal load resistor for different values of applied constant power. The linear response shows that constant power can be used as the control method to set the temperature in the resistive heating element.

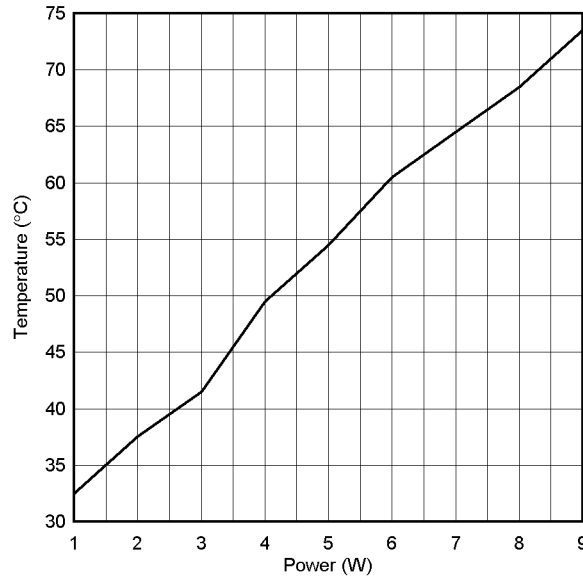


Figure 6-1. Load Resistor Temperature Versus Applied Constant Power

Figure 6-2 shows the measured power for 1W steps from 1W to 9W with a 1.5Ω nominal load resistor. The loop is held running in constant power at each level for 50 seconds and the power measured every 1 second. The absolute variation in measured power increases as the requested power level increases but the percentage variation stays pretty constant as can be seen in Table 6-1 which shows the measured levels and variation for each power level from nominal. The constant power control loop maintains the power applied to the load within ±3.0% of the set level.

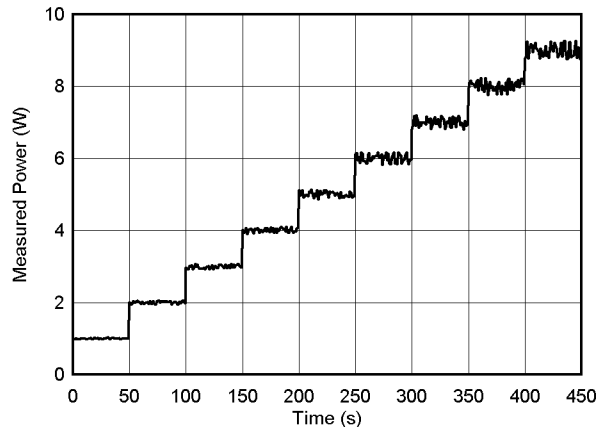


Figure 6-2. Constant Power Control Steps. 1W to 9W in 1W Steps. 50 Seconds at Each Power Level

Table 6-1. Average Measured Power and Minimum or Maximum Variation for Requested Power Steps From 1W to 9W

Requested Power (W)	Average measured power (W)	Minimum measured power (W)	Maximum measured power (W)	Negative variation (%)	Positive variation (%)
1.0	1.0008	0.971	1.029	-2.90	2.90
2.0	2.0073	1.942	2.059	-2.90	2.95
3.0	2.9913	2.911	3.081	-3.00	2.70
4.0	4.0123	3.898	4.116	-2.55	2.90
5.0	5.0108	4.864	5.145	-2.72	2.90
6.0	6.0146	5.840	6.174	-2.67	2.90
7.0	6.9999	6.796	7.204	-2.91	2.91
8.0	8.0209	7.764	8.235	-2.95	2.94
9.0	8.9982	8.752	9.251	-2.76	2.79

Figure 6-3, Figure 6-4, and Figure 6-5 show more detailed plots of the measured power values for 1W, 5W and 9W constant power operation.

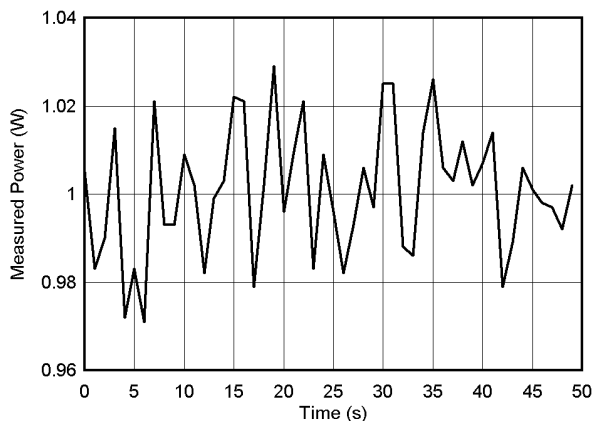


Figure 6-3. Measured Power at 1 Second Intervals for 1W Constant Power Operation

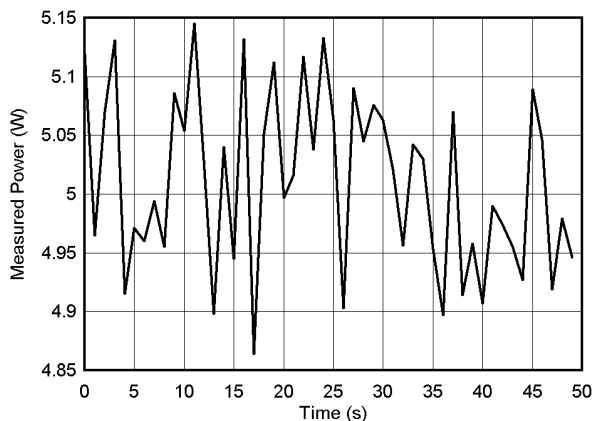


Figure 6-4. Measured Power at 1 Second Intervals for 5W Constant Power Operation

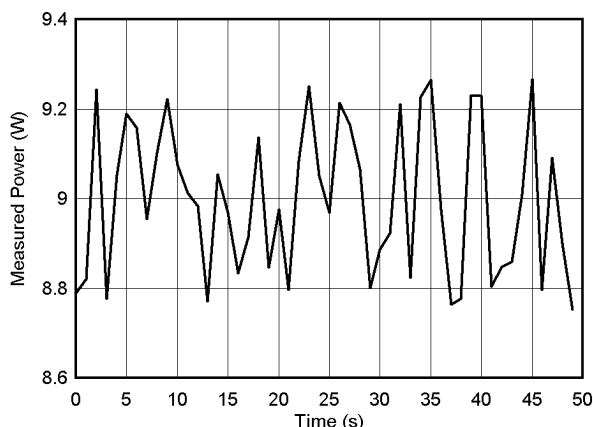


Figure 6-5. Measured Power at 1 Second Intervals for 9W Constant Power Operation

As an additional test of the robustness of the constant power control, the load was driven at constant 4W across a temperature range from around -18°C to +23°C. As the temperature increases the resistance of the nominal 1.5Ω load increases from around 1.33Ω at -18°C to 1.75Ω at +23°C. Figure 6-6 shows the measured current, voltage and power across this temperature range. The constant power control algorithm adjusts the voltage as the resistance changes to successfully keep the power constant across the temperature range. The variation in measured power across this temperature range is +1.5% and -2.1%.

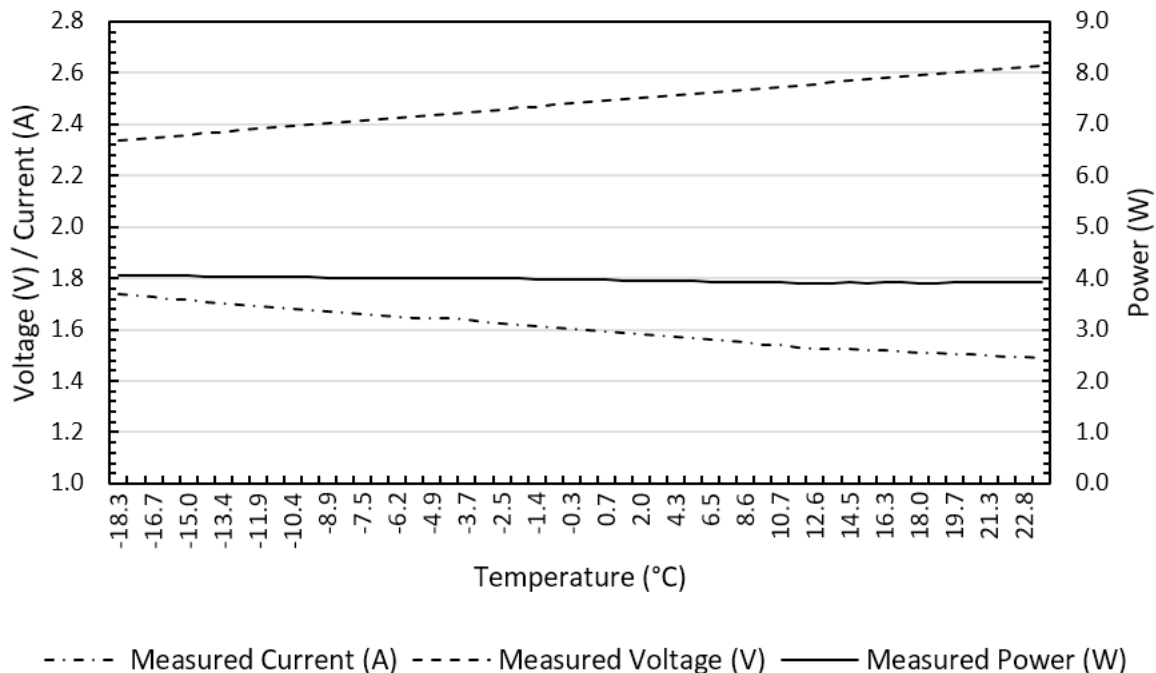


Figure 6-6. Measured Current, Voltage and Power Across -18°C to +23°C Temperature Range

7 Summary and Adaptations

A resistive heating element can be driven with constant power to deliver a fixed temperature, without needing to measure the temperature. The closed loop, constant power example design presented here maintains the measured power in the load to within ±3.0% of the set level across power levels and variations in load resistance due to temperature changes. In this case ±3.0% variation in power corresponds to a temperature tolerance of about ±0.15°C at lower power (1W) and about ±0.75°C at higher power (9W). The temperature tolerance can vary depending on the heating element used, but can be calibrated during product design.

If the input voltage range, the heater resistance or the power required means higher current or a boost or buck-boost topology are required, then other I²C controlled converter devices can be used. Alternatively, a standard converter can be adjusted by summing a filtered PWM signal into the FB node.

8 References

- Texas Instruments, [INA234 28-V, 12-Bit, Current, Voltage, and Power Monitor With an I2C Interface](#), data sheet.
- Texas Instruments, [TPS62868x 2.4-V to 5.5-V Input, 4-A/6-A Synchronous Step-Down Converter with I2C Interface in QFN Package](#)
- Texas Instruments, [MSPM0 L-Series 32MHz Microcontrollers](#), technical reference manual.
- Texas Instruments, [I2C Introduction Lab](#)
- Texas Instruments, [MSPM0 Ecosystem Training Series](#). MSPM0 academy trainings.

IMPORTANT NOTICE AND DISCLAIMER

TI PROVIDES TECHNICAL AND RELIABILITY DATA (INCLUDING DATA SHEETS), DESIGN RESOURCES (INCLUDING REFERENCE DESIGNS), APPLICATION OR OTHER DESIGN ADVICE, WEB TOOLS, SAFETY INFORMATION, AND OTHER RESOURCES "AS IS" AND WITH ALL FAULTS, AND DISCLAIMS ALL WARRANTIES, EXPRESS AND IMPLIED, INCLUDING WITHOUT LIMITATION ANY IMPLIED WARRANTIES OF MERCHANTABILITY, FITNESS FOR A PARTICULAR PURPOSE OR NON-INFRINGEMENT OF THIRD PARTY INTELLECTUAL PROPERTY RIGHTS.

These resources are intended for skilled developers designing with TI products. You are solely responsible for (1) selecting the appropriate TI products for your application, (2) designing, validating and testing your application, and (3) ensuring your application meets applicable standards, and any other safety, security, regulatory or other requirements.

These resources are subject to change without notice. TI grants you permission to use these resources only for development of an application that uses the TI products described in the resource. Other reproduction and display of these resources is prohibited. No license is granted to any other TI intellectual property right or to any third party intellectual property right. TI disclaims responsibility for, and you will fully indemnify TI and its representatives against, any claims, damages, costs, losses, and liabilities arising out of your use of these resources.

TI's products are provided subject to [TI's Terms of Sale](#) or other applicable terms available either on [ti.com](https://www.ti.com) or provided in conjunction with such TI products. TI's provision of these resources does not expand or otherwise alter TI's applicable warranties or warranty disclaimers for TI products.

TI objects to and rejects any additional or different terms you may have proposed.

Mailing Address: Texas Instruments, Post Office Box 655303, Dallas, Texas 75265

Copyright © 2025, Texas Instruments Incorporated