

How delta-sigma ADCs work, Part 2

By Bonnie Baker

Signal Integrity Engineer

A strong addition to the process-control design environment is the delta-sigma ($\Delta\Sigma$) analog-to-digital converter (ADC). This device's claim to fame is its high 24-bit resolution, which provides 2^{24} or about 16 million output codes. Granted, not all of the lower bits are noise-free, but it is not unusual for a $\Delta\Sigma$ ADC to have 20 noise-free bits, or about 1 million noise-free output codes. This is at least four times better than the performance of 16-bit converters.

Figure 1 shows a block diagram of a $\Delta\Sigma$ ADC. As explained in Part 1 of this article series (see Reference 1), the modulator of a $\Delta\Sigma$ converter shapes the data in such a way as to allow high resolution by reducing low-frequency noise. Part 1 also pointed out that the undesirable characteristics of the modulator output are high-frequency noise and a high-speed, 1-bit output rate. Once the signal resides in the digital domain, a low-pass digital-filter function can be used to attenuate the high-frequency noise, and a

decimator-filter function can be used to slow down the output-data rate. This article, Part 2, will consider each function independently, although real-world designs intertwine them in the same silicon.

The digital-filter function

The digital-filter function implements a low-pass filter by first sampling the modulator stream of the 1-bit code. Figure 2 shows a first-order, low-pass averaging filter. An averaging filter is the most common filter technique used in $\Delta\Sigma$ converters. As can be seen, the digital filter in Figure 2 is a weighted averaging filter. Almost all $\Delta\Sigma$ ADCs incorporate a class of averaging filters called sinc filters, named for their frequency response. Many $\Delta\Sigma$ devices, especially audio devices, use other filters in conjunction with sinc filters as part of a process called two-stage decimation. Low-speed industrial $\Delta\Sigma$ ADCs usually use only the sinc filter.

Figure 1. Block diagram of $\Delta\Sigma$ ADC

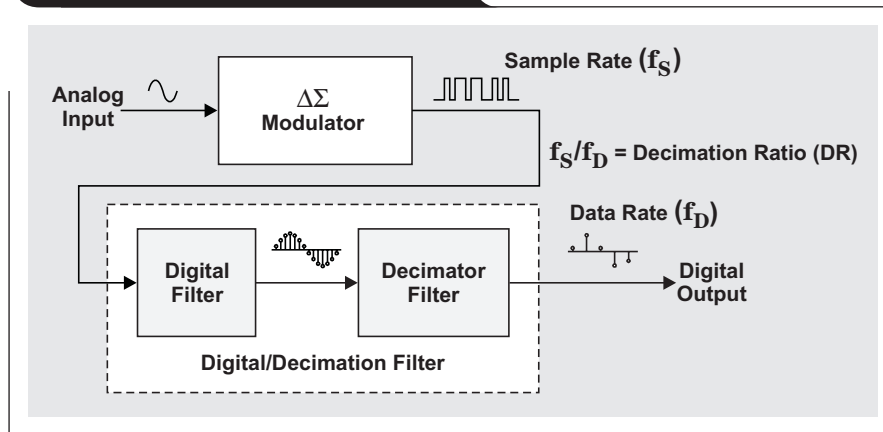
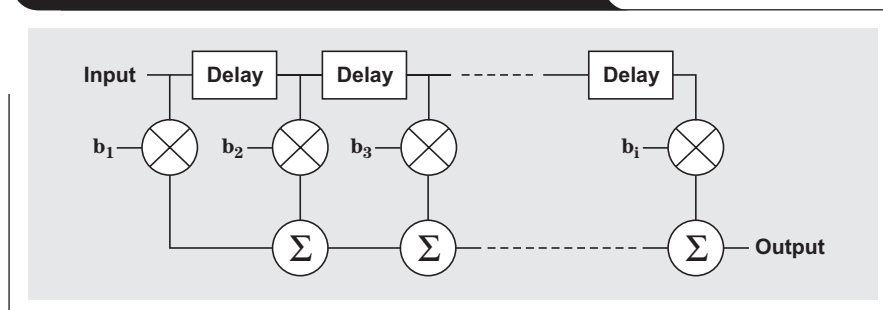


Figure 2. First-order, low-pass averaging filter



The output rate of a digital filter is the same as the sampling rate. Figure 3 shows a digital filter's outputs. In the time domain (Figure 3a), the digital filter is responsible for the high resolution of the $\Delta\Sigma$ converter. Notice that the 24-bit code train resembles the original signal. However, in the frequency domain (Figure 3b), the digital filter applies only a low-pass filter to the signal. In so doing, it attenuates the modulator's quantization noise; but it also reduces the frequency bandwidth, as any good low-pass filter will. With the quantization noise reduced, the signal re-emerges in the time domain.

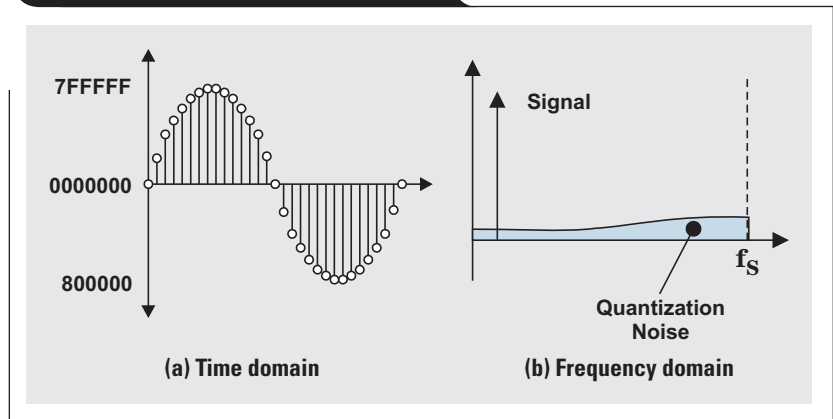
The signal is now a high-resolution, digital version of the input signal, but it is still too fast to be useful. The designer could have the converter deliver every one of the samples, but it would be pointless to do so because:

- This converter would require a very fast controller or processor.
- While it might appear that there is an abundance of high-quality samples at the high sampling rate of the modulator, most of them don't provide any useful information, since a low-pass filter has been applied. In other words, the extra samples are interpolations or intermediate results.

The decimator-filter function

The second function of the digital/decimation filter is the decimator. The word "decimate" was originally used by the Roman army to mean the killing of every tenth man of a group that was guilty of mutiny. In the case of the digital/decimation filter, the "decimation" of the digital filter's samples is much more dramatic. In the decimation circuit, the digital signal's output rate is reduced by throwing away or "killing" portions of the output data. The way to do this is to discard some of the samples.

Figure 3. Outputs of a digital filter



This may seem a bit distressing. Previously, there was a beautiful sine wave that was well-defined with a large number of samples. Throwing away a large number of those samples leaves a skeleton of the original signal; but, remember, most of those samples are not "real." They can be thought of as the filter's work-in-process samples. In fact, according to the Nyquist theorem, the new "skeletal" version of the signal has exactly the same informational content as the previous waveform, but now it is at a manageable data rate. Decimating some of the samples has not caused any information to be lost.

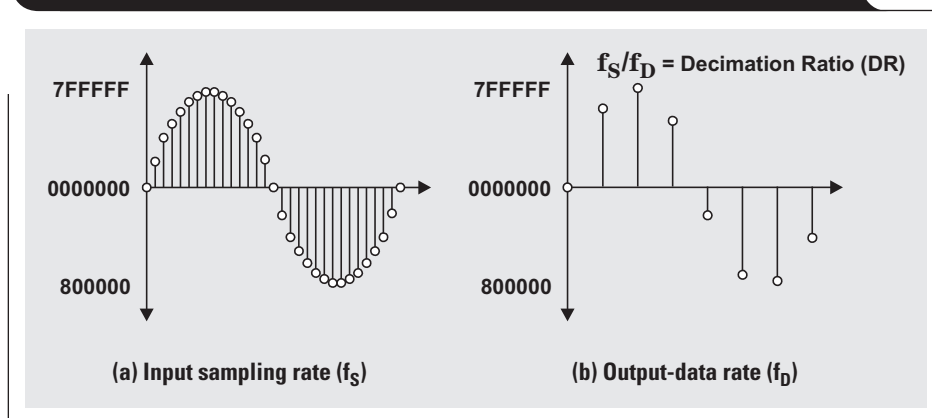
Figure 4 conceptually shows the decimation process. The digital filter's time-domain output in Figure 3a has been brought forward to Figure 4a. Figure 4b shows the decimator-filter function's output signal.

This completes the description of the digital-filter and decimator-filter functions in a $\Delta\Sigma$ converter.

Pulling the $\Delta\Sigma$ ADC together

Part 1 of this series showed the inner workings of the modulator in the time and frequency domains. It also showed how the modulator shaped noise into higher

Figure 4. Digital/decimation filter's output from decimation process



frequencies because of an oversampling system with negative feedback. As previously stated in the present article, the digital/decimation filter reduces high-frequency noise and passes the input signal to the output of the converter at a reduced data rate. The combination of these two components provides a high-resolution ADC.

The meaningful variables in this system are the modulator's sampling rate (f_s) and the digital/decimation filter's output-data rate (f_D). The ratio between these two variables is defined as the decimation ratio (DR). The decimation ratio is equal to the number of modulator samples per data output. Decimation ratio values range anywhere from 4 in the Texas Instruments (TI) ADS1605 ADC to a maximum of 32,768 for TI's ADS1256 ADC.

Consider the output spectrum of the $\Delta\Sigma$ modulator in Figure 5. The modulator samples at a frequency of f_s and, in doing so, shapes the quantization noise into higher frequencies. Many $\Delta\Sigma$ converters permit the designer to program the data rate directly by adjusting the decimation ratio. Suppose the data rate is chosen to be some fraction of f_s , as shown in Figure 5a. The frequencies from 0 to f_D , which constitute the output, are in the signal band. Note the noise level in the signal band.

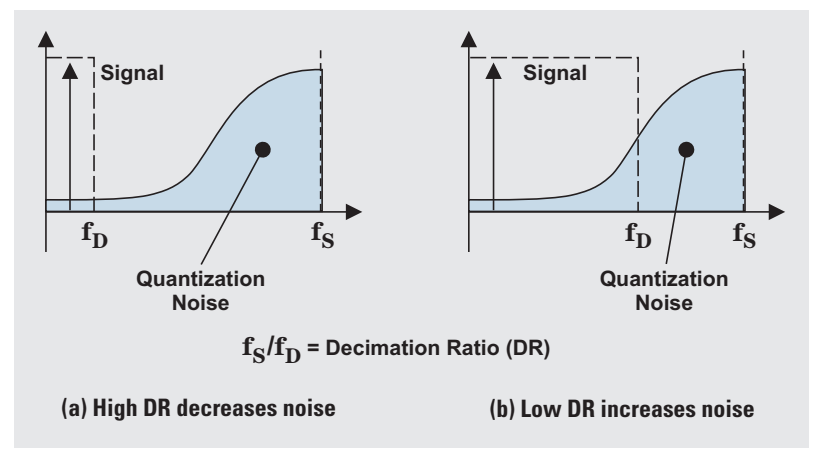
In Figure 5a, the effective number of bits (ENOB) is very high. Since the output-data rate (f_D) is determined by the decimator-filter function, it depends on the decimation ratio (DR), where $DR = f_s/f_D$. Figure 5b shows that the value for f_D , which has moved to the right, is now higher. Unfortunately, there is also more noise. Most of the noise is in the higher frequencies, decreasing the signal-to-noise ratio and the ENOB.

There is a way to increase the sampling speed (f_s) while keeping the ENOB the same, and that is to increase the master-clock rate. This will also increase f_D but will not decrease the decimation ratio. Unfortunately, increasing the master-clock rate will also increase power consumption. Additionally, most converters have a practical limit for f_s beyond which they will not function properly.

Conclusion

A $\Delta\Sigma$ ADC fundamentally includes a modulator and a digital/decimation filter. The modulator converts the analog signal directly into the digital domain by using a 1-bit ADC and oversampling. The modulator topology implements a noise-shaping function that drives the lower-frequency quantization noise into higher frequencies. The low-pass digital/decimation filter throws away the high-frequency

Figure 5. Increased DR provides a lower-noise, slower output signal



noise that was shaped by the modulator stage and reduces the data-output rate of the device to a usable frequency.

There is a strong relationship between the output-data rate and the converter's resolution. If the sample rate is kept constant, lower data rates provide high effective resolution, or ENOB, at the output of the converter.

$\Delta\Sigma$ ADCs have other functions besides the basics in these two articles, acting as current sources, voltage sources, input buffers, etc. However, examining any $\Delta\Sigma$ ADC will always reveal a modulator and a digital/decimation filter. In choosing a $\Delta\Sigma$ ADC, it is best to start with the fundamentals and then see what else the device has to offer.

References

For more information related to this article, you can download an Acrobat® Reader® file at www.ti.com/lit/litnumber and replace "litnumber" with the **TI Lit. #** for the materials listed below.

Document Title	TI Lit. #
1. Bonnie Baker, "How delta-sigma ADCs work, Part 1," <i>Analog Applications Journal</i> (3Q 2011)	SLYT423
2. "16-bit, 5MSPS analog-to-digital converter," ADS1605/6 Datasheet	SBAS274
3. "Very low noise, 24-bit analog-to-digital converter," ADS1255/6 Datasheet	SBAS288

Related Web sites

dataconverter.ti.com
www.ti.com/product/ADS1256
www.ti.com/product/ADS1605

TI Worldwide Technical Support

Internet

TI Semiconductor Product Information Center Home Page

support.ti.com

TI E2E™ Community Home Page

e2e.ti.com

Product Information Centers

Americas	Phone	+1(972) 644-5580
Brazil	Phone	0800-891-2616
Mexico	Phone	0800-670-7544
	Fax	+1(972) 927-6377
	Internet/Email	support.ti.com/sc/pic/americas.htm

Europe, Middle East, and Africa

Phone	
European Free Call	00800-ASK-TEXAS (00800 275 83927)
International	+49 (0) 8161 80 2121
Russian Support	+7 (4) 95 98 10 701

Note: The European Free Call (Toll Free) number is not active in all countries. If you have technical difficulty calling the free call number, please use the international number above.

Fax	+ (49) (0) 8161 80 2045
Internet	support.ti.com/sc/pic/euro.htm
Direct Email	asktexas@ti.com

Japan

Phone	Domestic	0120-92-3326
Fax	International	+81-3-3344-5317
	Domestic	0120-81-0036
Internet/Email	International	support.ti.com/sc/pic/japan.htm
	Domestic	www.tij.co.jp/pic

Asia

Phone	
International	+91-80-41381665
Domestic	<u>Toll-Free Number</u>
Note: Toll-free numbers do not support mobile and IP phones.	
Australia	1-800-999-084
China	800-820-8682
Hong Kong	800-96-5941
India	1-800-425-7888
Indonesia	001-803-8861-1006
Korea	080-551-2804
Malaysia	1-800-80-3973
New Zealand	0800-446-934
Philippines	1-800-765-7404
Singapore	800-886-1028
Taiwan	0800-006800
Thailand	001-800-886-0010

Fax	+8621-23073686
Email	tiasia@ti.com or ti-china@ti.com
Internet	support.ti.com/sc/pic/asia.htm

Important Notice: The products and services of Texas Instruments Incorporated and its subsidiaries described herein are sold subject to TI's standard terms and conditions of sale. Customers are advised to obtain the most current and complete information about TI products and services before placing orders. TI assumes no liability for applications assistance, customer's applications or product designs, software performance, or infringement of patents. The publication of information regarding any other company's products or services does not constitute TI's approval, warranty or endorsement thereof.

A122010

E2E is a trademark of Texas Instruments. Acrobat and Reader are registered trademarks of Adobe Systems Incorporated. All other trademarks are the property of their respective owners.

IMPORTANT NOTICE

Texas Instruments Incorporated and its subsidiaries (TI) reserve the right to make corrections, modifications, enhancements, improvements, and other changes to its products and services at any time and to discontinue any product or service without notice. Customers should obtain the latest relevant information before placing orders and should verify that such information is current and complete. All products are sold subject to TI's terms and conditions of sale supplied at the time of order acknowledgment.

TI warrants performance of its hardware products to the specifications applicable at the time of sale in accordance with TI's standard warranty. Testing and other quality control techniques are used to the extent TI deems necessary to support this warranty. Except where mandated by government requirements, testing of all parameters of each product is not necessarily performed.

TI assumes no liability for applications assistance or customer product design. Customers are responsible for their products and applications using TI components. To minimize the risks associated with customer products and applications, customers should provide adequate design and operating safeguards.

TI does not warrant or represent that any license, either express or implied, is granted under any TI patent right, copyright, mask work right, or other TI intellectual property right relating to any combination, machine, or process in which TI products or services are used. Information published by TI regarding third-party products or services does not constitute a license from TI to use such products or services or a warranty or endorsement thereof. Use of such information may require a license from a third party under the patents or other intellectual property of the third party, or a license from TI under the patents or other intellectual property of TI.

Reproduction of TI information in TI data books or data sheets is permissible only if reproduction is without alteration and is accompanied by all associated warranties, conditions, limitations, and notices. Reproduction of this information with alteration is an unfair and deceptive business practice. TI is not responsible or liable for such altered documentation. Information of third parties may be subject to additional restrictions.

Resale of TI products or services with statements different from or beyond the parameters stated by TI for that product or service voids all express and any implied warranties for the associated TI product or service and is an unfair and deceptive business practice. TI is not responsible or liable for any such statements.

TI products are not authorized for use in safety-critical applications (such as life support) where a failure of the TI product would reasonably be expected to cause severe personal injury or death, unless officers of the parties have executed an agreement specifically governing such use. Buyers represent that they have all necessary expertise in the safety and regulatory ramifications of their applications, and acknowledge and agree that they are solely responsible for all legal, regulatory and safety-related requirements concerning their products and any use of TI products in such safety-critical applications, notwithstanding any applications-related information or support that may be provided by TI. Further, Buyers must fully indemnify TI and its representatives against any damages arising out of the use of TI products in such safety-critical applications.

TI products are neither designed nor intended for use in military/aerospace applications or environments unless the TI products are specifically designated by TI as military-grade or "enhanced plastic." Only products designated by TI as military-grade meet military specifications. Buyers acknowledge and agree that any such use of TI products which TI has not designated as military-grade is solely at the Buyer's risk, and that they are solely responsible for compliance with all legal and regulatory requirements in connection with such use.

TI products are neither designed nor intended for use in automotive applications or environments unless the specific TI products are designated by TI as compliant with ISO/TS 16949 requirements. Buyers acknowledge and agree that, if they use any non-designated products in automotive applications, TI will not be responsible for any failure to meet such requirements.

Following are URLs where you can obtain information on other Texas Instruments products and application solutions:

Products

Audio	www.ti.com/audio
Amplifiers	amplifier.ti.com
Data Converters	dataconverter.ti.com
DLP® Products	www.dlp.com
DSP	dsp.ti.com
Clocks and Timers	www.ti.com/clocks
Interface	interface.ti.com
Logic	logic.ti.com
Power Mgmt	power.ti.com
Microcontrollers	microcontroller.ti.com
RFID	www.ti-rfid.com
OMAP Mobile Processors	www.ti.com/omap
Wireless Connectivity	www.ti.com/wirelessconnectivity

Applications

Communications and Telecom	www.ti.com/communications
Computers and Peripherals	www.ti.com/computers
Consumer Electronics	www.ti.com/consumer-apps
Energy and Lighting	www.ti.com/energy
Industrial	www.ti.com/industrial
Medical	www.ti.com/medical
Security	www.ti.com/security
Space, Avionics and Defense	www.ti.com/space-avionics-defense
Transportation and Automotive	www.ti.com/automotive
Video and Imaging	www.ti.com/video

TI E2E Community Home Page

e2e.ti.com

Mailing Address: Texas Instruments, Post Office Box 655303, Dallas, Texas 75265
Copyright © 2011, Texas Instruments Incorporated