

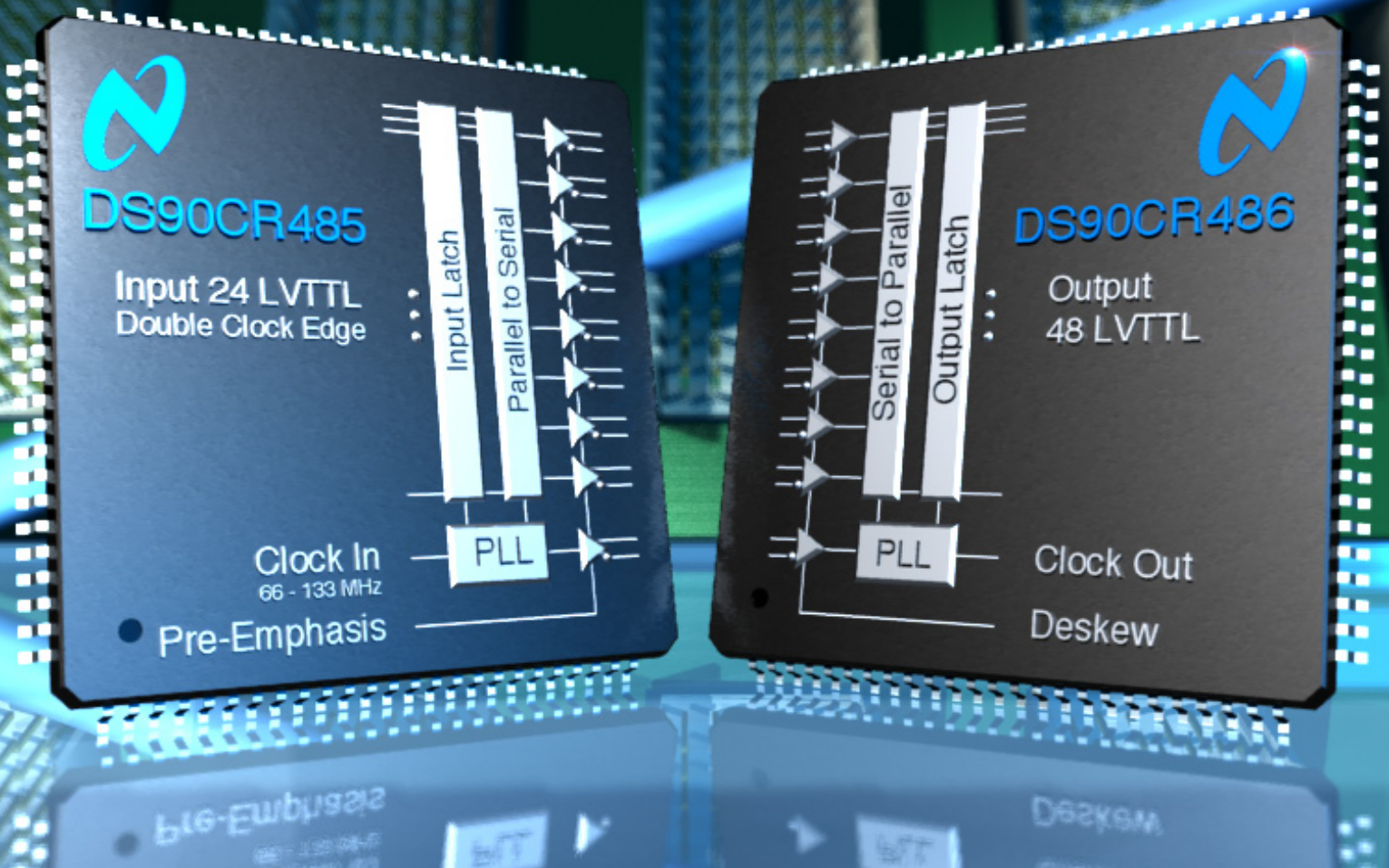
**DS90CR215,DS90CR216A,DS90CR217,
DS90CR218A,DS90CR285,DS90CR286A,
DS90CR287,DS90CR288A,DS90CR481,
DS90CR482,DS90CR483A,DS90CR484A,
DS90CR485,DS90CR486**



Literature Number: SNLA167

National Semiconductor Channel Link Design Guide

June 2006



Introduction
Page 2

Chip Operation
Pages 12 - 15

Design Guidelines
Pages 4 - 10

Evaluation Kits
Pages 11

Cables & Connectors
Page 6

Speed vs Cable Length
Pages 18 - 19

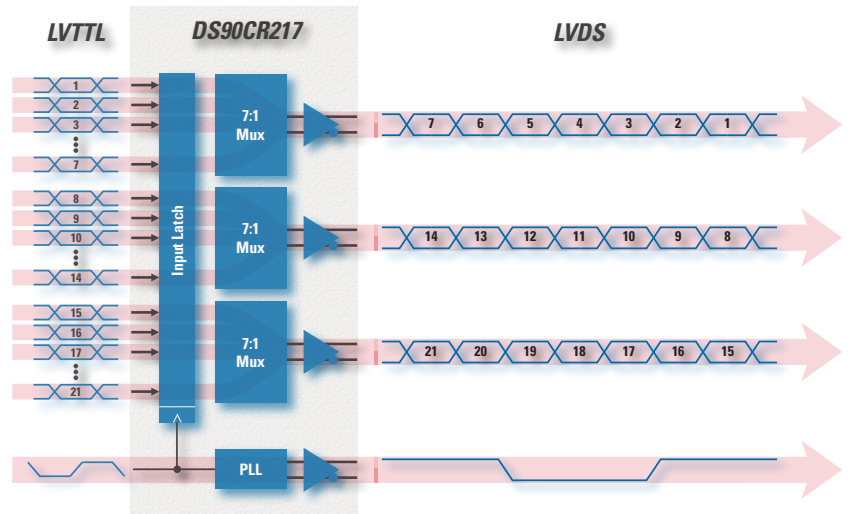
 *National
Semiconductor*

Channel Link LVDS SerDes

“Virtual Ribbon Cable”

Introduction

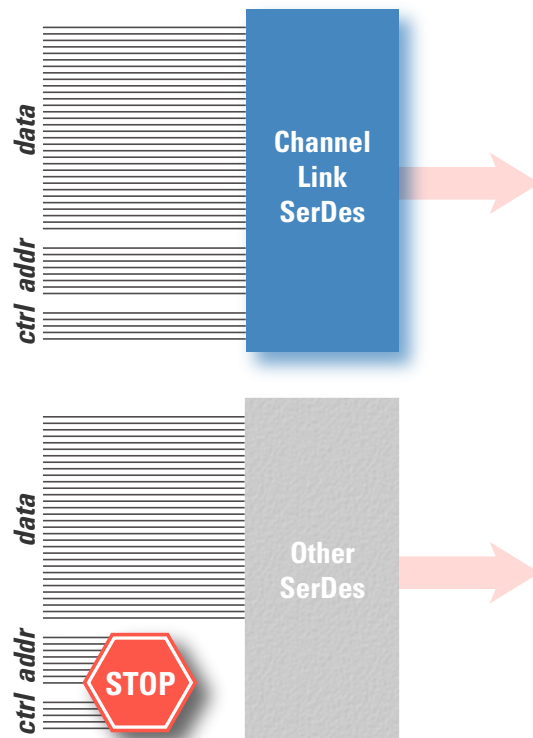
National Semiconductor's DS90CR2xx and DS90CR4xx Channel Link serializers/deserializers (SerDes) are among the easiest to use SerDes in the market. Unlike most SerDes, Channel Link serialize wide buses, require no synchronization training characters or patterns, require no clock source at the receiver end. Channel Link SerDes have the lowest cost per gigabit and are among the lowest power SerDes chipsets in the industry.



Channel Link Operation

Channel Link SerDes are normally used as “virtual ribbon cable” to serialize wide “data+address+control” parallel buses such as PCI, UTOPIA, processor buses, and control buses, etc. Instead of tackling the whole bus with one multiplexer, the parallel clock SerDes architecture employs a bank of 7-to-1 multiplexers, each serializing its section of the bus separately. The resulting serial data streams travel to the receiver in parallel with an additional clock signal pair that the receiver uses to latch in and recover the data. This multi-channel mux with parallel framing clock approach allows Channel Link to serialize very wide parallel buses up to 48 bits automatically without external system intervention or alignment procedures.

Channel Link SerDes deliver benefits over non-serialization such as fewer wires (especially grounds), lower power, longer cable driving capability, lower noise/EMI, and lower cable/connector costs. Not being confined to using one serial pair, Channel Link SerDes can be made arbitrarily wide and also avoid the design issues associated with ultra high speed serial data rates. Channel Link offers excellent price/performance and is often the only practical way to transmit a traditional wide parallel bus over several meters of cable. Channel Link SerDes chipsets are available in 21-, 28-, and 48- bit parallel bus widths.



Channel Link Products Selection Guide

Features

- Wide 21-, 28-, and 48-bit bus widths
- Raw data payloads up to 6.38 Gbps
- Automatic receiver lock without training patterns or characters, "Plug & Go"
- No external coding or framing required
- Very low power consumption
- Wide operating frequency, relaxed transmit clock requirements
- Deserializer requires no external clock source
- Lowest cost per gigabit
- Easy to use over cables and FR-4 backplanes
- Extended temperature ranges
- 3.3V and 5V chipset interoperability
- Standard TSSOP & TQFP packaging

Which 48-bit Chipset Should I Use?

| Clock Frequency | Recommended Chipset |
|-----------------|---|
| < 66 MHz | DS90CR483/484 |
| 66 - 112 MHz | DS90CR481/482, DS90CR481/486†, or DS90CR485/6 |
| > 112 MHz | DS90CR485/486 |

† For long cables (e.g. over 8 m) at ≥ 66 MHz, the DS90CR481/486 combination is recommended.

Channel Link LVDS Serializers & Deserializers

| Part Number | Mux Ratio | Function | Bus Speed (MHz) | Throughput (Gbps) | Supply Voltage | Temperature | Package | Eval Kit |
|--------------------------|-----------|-------------|-----------------|-------------------|----------------|--------------|----------|-----------------|
| 21-bit | | | | | | | | |
| DS90CR213MTD | 21:3 | Transmitter | 20 - 66 | 1.38 | 5 | -10 to +70°C | TSSOP-48 | See Note 1 |
| DS90CR214MTD | 21:3 | Receiver | 20 - 66 | 1.38 | 5 | -10 to +70°C | TSSOP-48 | See Note 1 |
| DS90CR215MTD | 21:3 | Transmitter | 20 - 66 | 1.38 | 3.3 | -40 to +85°C | TSSOP-48 | See Note 1 |
| DS90CR216AMTD | 21:3 | Receiver | 20 - 66 | 1.38 | 3.3 | -40 to +85°C | TSSOP-48 | See Note 1 |
| DS90CR217MTD | 21:3 | Transmitter | 20 - 85 | 1.78 | 3.3 | -10 to +70°C | TSSOP-48 | See Note 1 |
| DS90CR218AMTD | 21:3 | Receiver | 20 - 85 | 1.78 | 3.3 | -10 to +70°C | TSSOP-48 | See Note 1 |
| 28-bit | | | | | | | | |
| DS90CR283MTD | 28:4 | Transmitter | 20 - 66 | 1.84 | 5 | -10 to +70°C | TSSOP-56 | See Note 1 |
| DS90CR284MTD | 28:4 | Receiver | 20 - 66 | 1.84 | 5 | -10 to +70°C | TSSOP-56 | See Note 1 |
| DS90CR285MTD | 28:4 | Transmitter | 20 - 66 | 1.84 | 3.3 | -40 to +85°C | TSSOP-56 | See Note 1 |
| DS90CR286AMTD | 28:4 | Receiver | 20 - 66 | 1.84 | 3.3 | -40 to +85°C | TSSOP-56 | See Note 1 |
| DS90CR287MTD | 28:4 | Transmitter | 20 - 85 | 2.38 | 3.3 | -10 to +70°C | TSSOP-56 | CLINK3V28BT-85 |
| DS90CR288AMTD | 28:4 | Receiver | 20 - 85 | 2.38 | 3.3 | -10 to +70°C | TSSOP-56 | CLINK3V28BT-85 |
| 48-bit | | | | | | | | |
| DS90CR481VJD | 48:8 | Transmitter | 65 - 112 | 5.37 | 3.3 | -10 to +70°C | TQFP-100 | CLINK3V48BT-112 |
| DS90CR482VS ² | 48:8 | Receiver | 65 - 112 | 5.37 | 3.3 | -10 to +70°C | TQFP-100 | CLINK3V48BT-112 |
| DS90CR483VJD | 48:8 | Transmitter | 33 - 112 | 5.37 | 3.3 | -10 to +70°C | TQFP-100 | CLINK3V48BT-112 |
| DS90CR484VJD | 48:8 | Receiver | 33 - 112 | 5.37 | 3.3 | -10 to +70°C | TQFP-100 | CLINK3V48BT-112 |
| DS90CR485VS ² | 48:8 | Transmitter | 66 - 133 | 6.38 | 2.5/3.3 | -10 to +70°C | TQFP-100 | CLINK3V48BT-133 |
| DS90CR486VS ² | 48:8 | Receiver | 66 - 133 | 6.38 | 3.3 | -10 to +70°C | TQFP-100 | CLINK3V48BT-133 |

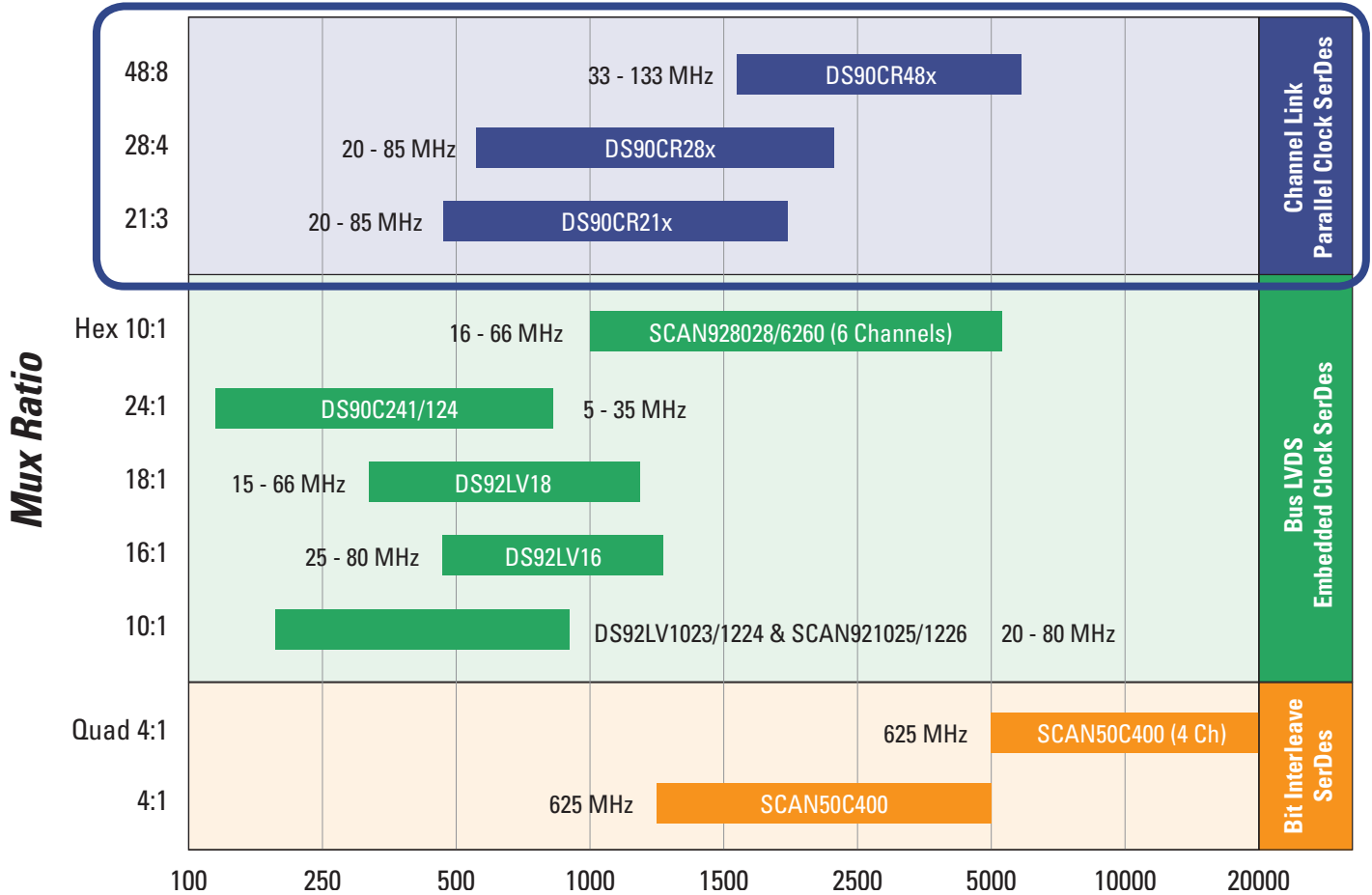
¹ Use 85 MHz 28-bit evaluation kit for proof of concept. This evaluation kit can be reworked to accept non-85 MHz, non-28-bit devices if necessary.

² Package codes: National has recently moved to 2-letter package code suffixes for new products. Therefore, the new VS code refers to the same TQFP-100 package as the old VJD code.

Design Guidelines

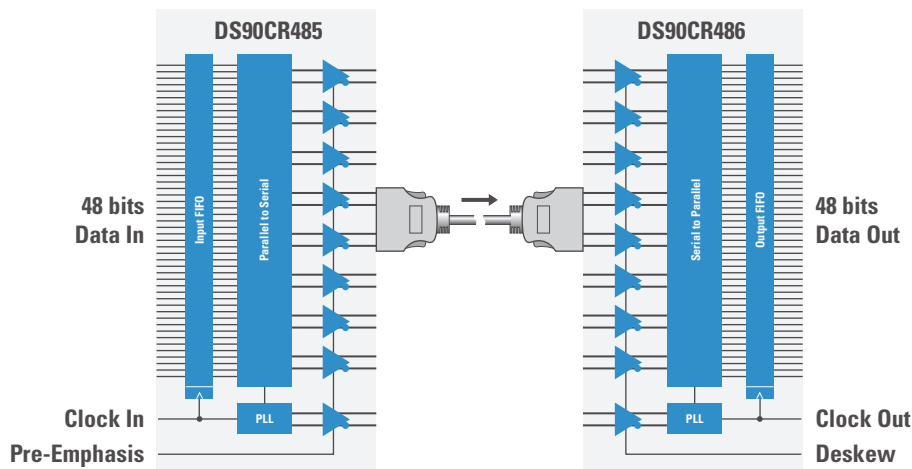
General Information

Channel Link SerDes



Bus Topologies

Channel Link SerDes chipsets are designed for use over point-to-point cable and FR-4 backplane applications. Although multidrop backplanes have been implemented with Channel Link, multidrop operation is not recommended above 40 MHz.

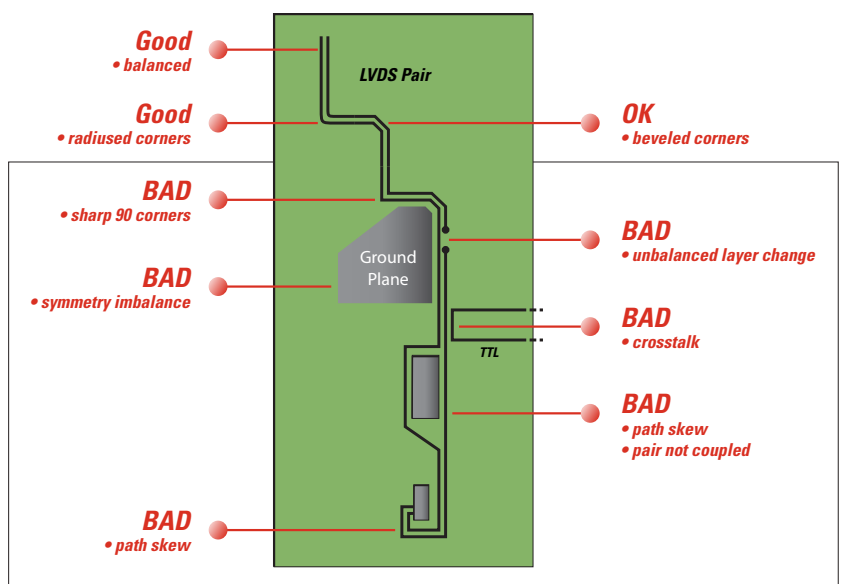
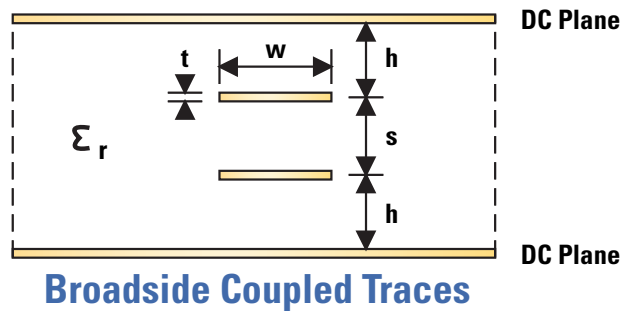
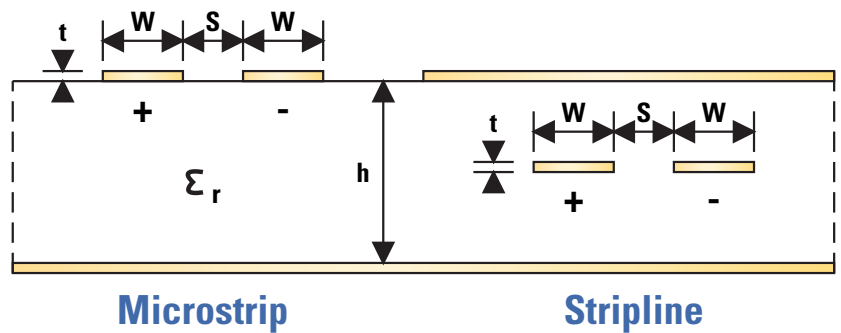


Typical Channel Link point-to-point application

General Printed Circuit Board (PCB) Recommendations

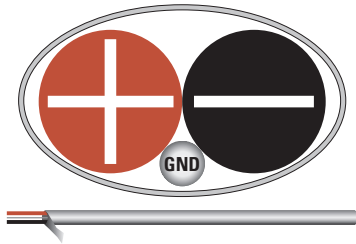
- Use at least 4 PCB board layers (LVDS signals, ground, power, and TTL signals).
- Minimize pair-to-pair skew between LVDS clock and data
- Use proper power supply bypassing such that PLL V_{CC} noise is less than 100 mV peak-to-peak.
- Controlled impedance differential traces of 100 Ohms are recommended for LVDS signals. Edge-coupled microstrip, edge-coupled stripline, or broadside-coupled stripline differential traces may be used. These traces should be closely-coupled (i.e. "s" should be minimized) to ensure coupled noise will appear as common-mode (which is rejected by the receiver). This has the added benefit that closely-coupled lines that are excited with odd-mode transmission tend to radiate less electromagnetic energy.
- Treat the entire LVDS clock+data bus as one signal, avoiding influences that cause imbalances within the pair (see diagram at right). Minimize skew within the pair. Maintain "balance."
- Tie unused TTL inputs high or low. Leave unused LVDS deserializer inputs open (floating) – internal failsafe will pull the input to a valid state.
- Termination of the LVDS signals is required. The termination resistor value should match the differential impedance of the transmission line. 100-Ohm is a typical value for point-to-point applications. It is better err with too large a termination resistor than too small.
- Isolate TTL/CMOS signals from LVDS signals, placing them at least "3s" or "2w" away—whichever is larger. This will help to prevent them from coupling onto the LVDS lines.

These are just a few common practices that should be followed when designing PCBs for LVDS signaling. General application guidelines are available in the LVDS Owner's Manual and other documents at lvds.national.com.

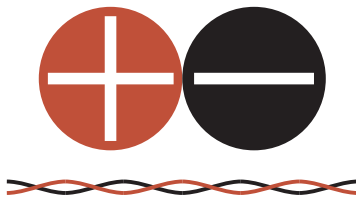


Design Guidelines

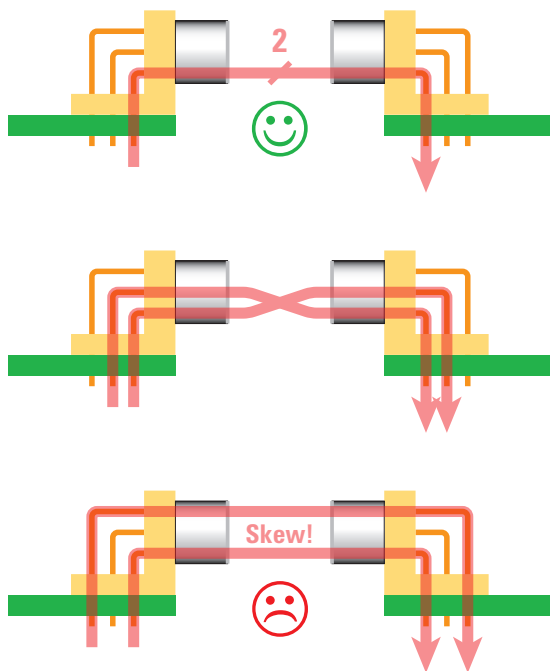
Cables & Connectors



Twinax cable construction



Unshielded twisted pair (UTP) cable construction



*Connector pin assignment for low skew.
Top-good; bottom-bad.*

Cables

Channel Link SerDes can be used over a wide variety of balanced, 100-Ohm differential cables depending on distance and signal quality requirements. In general, twinax or shielded twisted pair cables are recommended. Low pair-to-pair skew is the most important parameter to consider when choosing a cable assembly for Channel Link.

- SCSI-type cables and connectors or LVDS-type cable assemblies such as the 3M™ MDR and Amphenol SKEWCLEAR® systems are commonly used. See the “Data Rate vs. Cable Length” section for typical performance using 3M MDR cable assemblies.
- Other high performance shielded multi-pair cables such as Infiniband/CX4 assemblies may be used.
- Very Short Distances (< 0.3 m): flex circuit (following correct PCB layout) or unbalanced ribbon cable may be used. Use ground conductors between LVDS pairs and avoid using end conductors for LVDS signals.

At least one ground conductor should be used in the cable to provide a known, low impedance return path for common mode currents.

A termination resistor R_L , placed as close as possible to the receiver inputs in point-to-point applications, is required. The resistor value should be chosen to match the differential impedance of the cable.

Connectors

SCSI-type connectors like 3M MDR and CHAMP connectors are typically used. Connectors with differential conductors offer the highest performance, but are not necessary in low speed or short distance applications. For single-ended connectors, keep LVDS pins away from other signals, particularly TTL/CMOS/LVTTL/LVCMOS signals. The “+” and “-” signals of a pair should be routed on the same row in multi-row backplane connectors to help minimize skew within the pair.



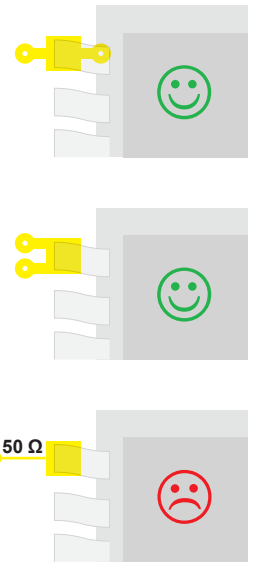
3M MDR Cable System

General Power/Ground Recommendations

A solid power/ground system is the foundation on which a reliable interconnect system is built. Design circuit board layout and stack-up for the system to provide noise-free power to the device. Good layout practice will separate high frequency and high level inputs and outputs to minimize unwanted stray noise pickup, feedback, and interference. Power system performance may be greatly improved by using thin dielectrics (4 to 10 mils) for power/ground sandwiches. This increases the intrinsic capacitance of the PCB power system, which improves power supply filtering—especially at high frequencies—making the value and placement of external bypass capacitors less critical. External bypass capacitors should include both RF ceramic and tantalum electrolytic types. Use RF capacitors in the range of 0.001 μF to 0.1 μF . Use tantalum capacitors in the range of 2.2 μF to 10 μF . The voltage rating of tantalum capacitors should be at least 3 (5 preferred) times the power supply voltage being used.

It is recommended practice to use two vias at each power/ground pin as well as all RF bypass capacitor terminals. Dual vias reduce the interconnect inductance by up to half, thereby extending the effective range of bypass components. Locate RF capacitors as close as possible to the supply pins and use wide, low impedance traces—not 50-Ohm traces. Surface mount capacitors are recommended due to lower parasitics. When using multiple capacitors per supply pin, locate the smallest value closest to the supply pin. A bulk capacitor is recommended at the point of power entry. This is typically in the range of 50 μF to 100 μF and will smooth low frequency noise.

Some devices have separate power/ground pins for different portions of the circuits to isolate switching noise effects between different blocks. Connecting these to separate power/ground planes on the PCB is typically not required. Pin description tables typically describe which blocks are connected to which power/ground pins. In some cases, an external filter may be used to provide clean power to sensitive circuits such as PLLs.



Channel Link Recommendations

General device-specific bypassing recommendations are given below. Actual best practice depends on other board and system level criteria including board density, power rail and power supply type, and the supply needs of other integrated circuits on the board. When minimizing supply noise, priority should be given in this order: PLL, LVDS, and then digital V_{CC} pins.

PLL Supply

The PLL V_{CC} pins supply the PLL circuits. PLLs require a clean supply—less than 100 mV noise peak-to-peak—for the minimization of jitter and best link margin. PLL V_{CC} noise in the frequency range 200 kHz to 3 MHz can increase jitter and reduce noise margins. Certain power supplies may have switching frequencies or high harmonic content in this range. If this is the case, filtering of this noise spectrum may be required. A notch filter response is best to provide stable V_{CC} , suppression of the noise band, and good high frequency response (clock fundamental). This may be accomplished with a CRC or CLC pie filter. If employed, a separate pie filter is recommended for each PLL to minimize the voltage drop due to series resistance. Separate board power planes for each PLL V_{CC} pin is not required.

LVDS Supply

The LVDS V_{CC} pins supply the LVDS circuits. Due to the nature of the Channel Link, large currents are not drawn through these pins and a 0.1 μF capacitor is normally sufficient for these pins. If space is available, a 0.01 μF capacitor may be used in parallel with the 0.1 μF capacitor for additional high frequency filtering. Connect the LVDS ground to the cable ground to provide a return path for any common (even) mode currents. Most of the LVDS current is odd-mode and returns within the pair, though a small amount of odd-mode current may be present due to coupled noise and the cable ground should return through a low impedance path to LVDS ground pins.

Digital Supply

The digital V_{CC} pins supply the digital portion of the device and also the receiver TTL output drivers. The receiver digital V_{CC} is more critical than the transmitter digital V_{CC} because it must power the receiver outputs during multiple output switching conditions. Bypassing for receiver digital V_{CC} can be estimated as follows:

Total digital bypassing capacitance = (number TTL receiver outputs/digital VCC pins) x (max short circuit current x output rise time) ÷ (max allowed VCC droop, typically 50 mV)

Design Guidelines

Inputs & Outputs

LVDS Termination

LVDS termination is required. Choose the termination resistor value R_L to match the loaded differential impedance of the transmission line. In point-to-point applications, the termination value is typically 100 Ohms. Place a termination resistors as close as possible to the receiver inputs or end of the transmission lines.

Input Over- and Undershoot

Excessive over- and undershoot injects noise into the power supply and PLL, decreasing link margin. Reduce FPGA output drive to ensure over- and undershoot are minimized and < 300 mV above and below power/ground. Terminate LVTTTL lines if necessary.

Transmitter Input Clock Jitter (TxCLKIN)

For Channel Link SerDes, cycle-to-cycle jitter is more critical than long term jitter. Although Channel Link SerDes employ jitter filters and have been characterized with cycle-to-cycle input clock impulses up to ± 300 ps, cycle-to-cycle input clock jitter should be minimized so that the serializer LVDS clock cycle-to-cycle jitter is less than 100 ps.

Spread Spectrum Clocking

Spread spectrum clocking can be used with Channel Link SerDes. Down spectrum is preferred over center or up spectrum since this increases timing margins. Spread spectrum of 1-2% with a carrier frequency < 200 kHz (50 - 100 kHz is common) is recommended to ensure the PLL tracking.

Receiver Output Clock (RxCLKOUT)

The receiver output clock is an LVCMOS output whose rising edge is aligned to the middle of the receiver output data RxOUT. The subsequent ASIC/FPGA device should latch in RxOUT data meeting the ASIC/FPGAs input setup and hold times. Output jitter for RxCLKOUT is not specified on the datasheet since it depends on the jitter of the incoming data and the TxCLKIN clock source.

Interoperability of Channel Link Chipsets

Any 21-bit Channel Link serializer can be used with any 21-bit Channel Link deserializer over the devices' overlapping operating frequency ranges. The same is true for 28- and 48- bit chipsets. The power supplies of the serializer and deserializer do not need to be the same, in fact, 5V and 3.3V Channel Link serializers and deserializers may be used on different ends of the link.

Unused TTL Inputs

Unused LVTTTL inputs should be tied high or low. Many Channel Link devices (check devices) have internal pull down devices to bias unused pins. These internal impedances tend to be in the 200 kOhm range and may be overridden with lower value pull up resistors if desired.

Floating LVDS Receiver Inputs & Failsafe

In the event that the Channel Link receiver is disconnected from the backplane/cable, the internal failsafe circuitry is designed to reject a certain amount of differential noise (about 10 mV) from being interpreted as data or clock. This seems like a very small threshold, but balanced, closely-coupled LVDS lines tend to pick up noise as common mode—not differential. Additional failsafe biasing can be implemented externally (see application note AN-1194 and LVDS Owner's Manual sections 4.6.2-3) at the expense of two additional resistors. Receiver data and clock output status when its LVDS inputs are floating is shown in the table at the end of this design guide.

Receiver Output Drive

To minimize EMI and power consumption, Channel Link receiver output drive is on the order of a few milliamps. This is typically sufficient to drive 1-2 LVTTTL/LVCMOS loads. If more loads or long traces will be driven, especially at higher clock speeds, a logic buffer is recommended. Note that depending on actual configuration (number of loads, stub lengths, segment distances, etc.), the receiver output bus may need to be treated as a transmission line and proper LVTTTL/LVCMOS termination techniques employed.

Probing LVDS Signals

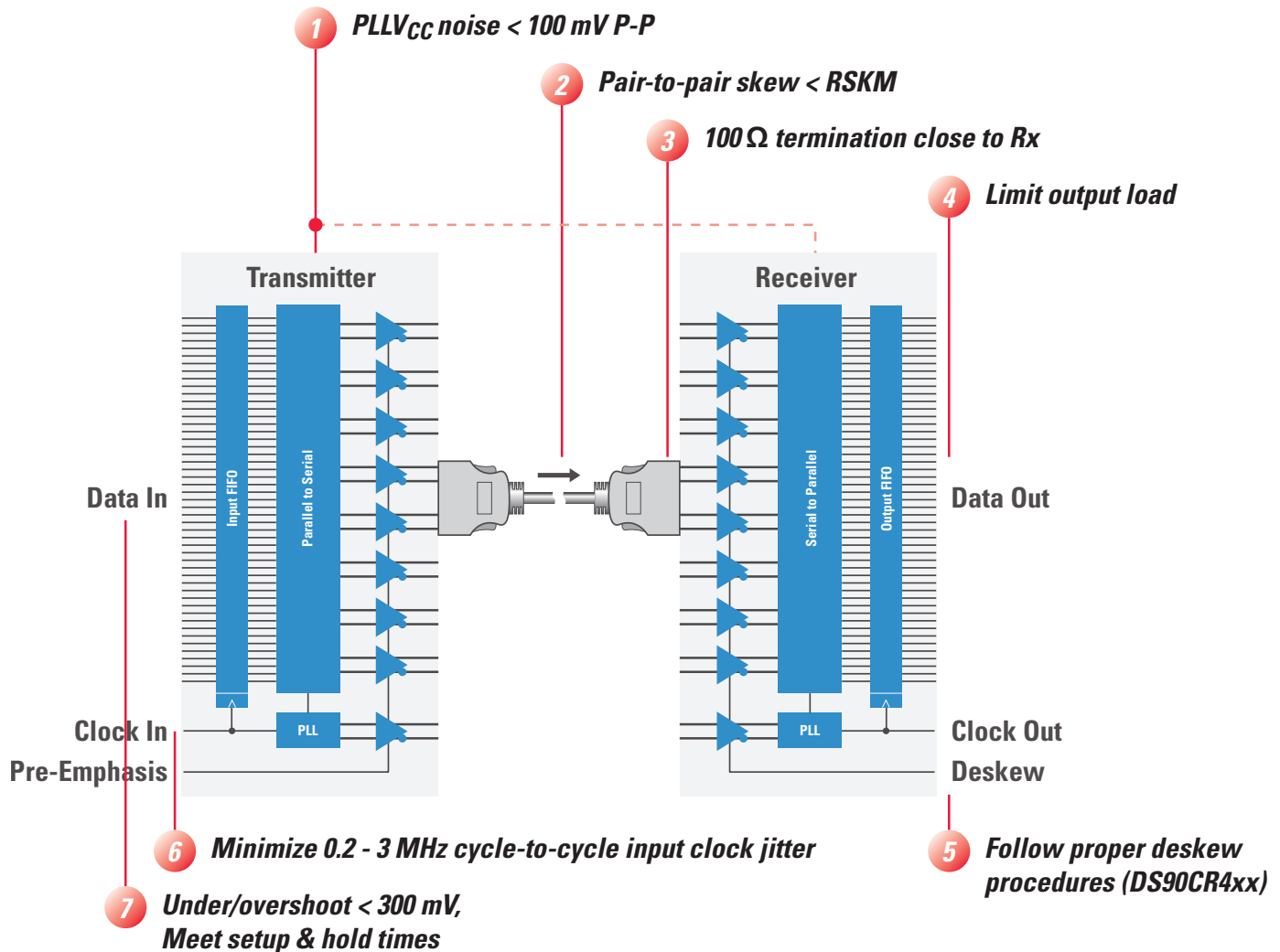
LVDS signals are high speed, low swing signals. Improper probing can result in deceiving results since the probe and/or scope can filter high speed components of the signal. Using a >1 GHz bandwidth scope (such as the Agilent 86100 or Tektronix 694C) and a high speed differential probe (such as the Tektronix P6247/8 or P6330) is highly recommended. LVDS drivers are not compatible with 50-Ohm probes.

Related Application Material at www.national.com

| Number | Description |
|-------------|--|
| — | LVDS Owner's Manual, 3rd Edition |
| AN-905 | Transmission Line RAPIDESIGNER Operation and Applications Guide |
| AN-971 | Introduction to LVDS |
| AN-1041 | Introduction to Channel Link |
| AN-1059 | Timing (RSKM) Information |
| AN-1084 | Parallel Application of Link Chips |
| AN-1108 | PCB and Interconnect Design Guidelines |
| AN-1109 | Multi-drop Application of Channel Links |
| AN-1194 | Failsafe Biasing of LVDS Interfaces |
| White Paper | SerDes Architectures and Applications (available at LVDS.national.com) |

Design Review

Check Your Design for High Performance



Design Tip Overview

Channel Link are robust, easy-to-use SerDes, but to get the best performance from your interconnect design, it's a good idea to review your design for best practices.

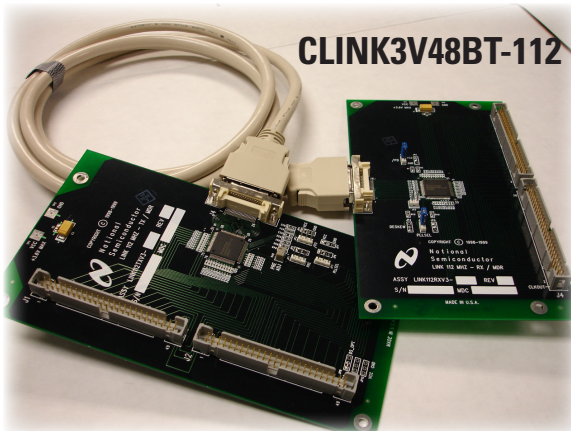
- **Pair-to-Pair Skew:** Large skew between LVDS clock and data pairs can cause mis-sampling of data. Make sure pair-to-pair skew meets RSKM requirements.
- **Power Supply Noise:** Excessive supply noise, especially on the PLL supply, can add jitter to the transmitter serial output and affect the receiver data sampling. Keep supply noise under 100 mV peak-to-peak on PLL V_{CC} pins.
- **Transmit Clock:** Minimize excessive cycle-to-cycle jitter on the transmit clock TxCLKIN in the range of 200 kHz - 3 MHz which can add jitter to the transmitter serial output.
- **Serial Bus:** Should follow LVDS PCB layout and backplane recommendations, using proper termination, avoiding long stubs, and assuring the termination resistor is close to the receiver input.
- **Parallel Bus:** The parallel TTL signals should meet setup and hold times and should be free from excessive overshoot/undershoot. Buffer receiver TTL outputs RxOUT if driving long PCB traces and/or more than 1-2 loads.

Evaluation Boards

CLINK3V28BT-85, CLINK3V48BT-112, CLINK3V48BT-133

Evaluation Boards

Three Channel Link evaluation kits are available from National Semiconductor and its distributors. With just these three kits, any Channel Link SerDes chipset can be evaluated since 28- and 21- bit Channel Link chipsets are pin compatible (see table at right for more info). In addition, the kits are interoperable, e.g.. 5V transmitter boards can talk to 3V receiver boards, 21-bit transmitter boards can drive 28-bit boards, etc.



| Part Number | Evaluation Kit |
|---------------|--|
| 21-bit | |
| DS90CR213 | Use CLINK3V28BT-85. Replace the DS90CR287 with the DS90CR283. Pull TxIN[21:27] high or low. Connect to 5V supply. |
| DS90CR214 | Use CLINK3V28BT-85. Replace the DS90CR288A with the DS90CR284. Pull TxIN[21:27] high or low. Connect to 5V supply. |
| DS90CR215 | Use CLINK3V28BT-85. Replace the DS90CR287 with the DS90CR285. Pull TxIN[21:27] high or low. |
| DS90CR216/A | Use CLINK3V28BT-85. Replace the DS90CR288A with the DS90CR286A. Pull TxIN[21:27] high or low. |
| DS90CR217 | Use CLINK3V28BT-85. Pull TxIN[21:27] high or low. |
| DS90CR218/A | Use CLINK3V28BT-85. Pull TxIN[21:27] high or low. |
| 28-bit | |
| DS90CR283 | Use CLINK3V28BT-85. Replace the DS90CR287 with the DS90CR283. Connect to 5V supply. |
| DS90CR284 | Use CLINK3V28BT-85. Replace the DS90CR288A with the DS90CR284. Connect to 5V supply. |
| DS90CR285 | Use CLINK3V28BT-85. Replace the DS90CR287 with the DS90CR285. |
| DS90CR286/A | Use CLINK3V28BT-85. Replace the DS90CR288A with the DS90CR286A. |
| DS90CR287 | CLINK3V28BT-85 |
| DS90CR288/A | CLINK3V28BT-85 |
| 48-bit | |
| DS90CR481 | CLINK3V48BT-112. Replace the DS90CR483 with the DS90CR481. |
| DS90CR482 | CLINK3V48BT-112. Replace the DS90CR484 with the DS90CR482. |
| DS90CR483 | CLINK3V48BT-112 |
| DS90CR484 | CLINK3V48BT-112 |
| DS90CR485 | CLINK3V48BT-133 |
| DS90CR486 | CLINK3V48BT-133 |

Channel Link Operation

Power Up/Down & Floating Inputs

| Device Name | Supply Voltage | Compression Ratio | Parallel Clock (MHz) | DC-Balance | Receiver Deskew | Transmit Pre-Emphasis |
|-------------|----------------|-------------------|----------------------|------------|---------------------------------|-----------------------|
| DS90CR211 † | 5 | 21:3 | 20-40 | — | — | — |
| DS90CR212 † | 5 | 3:21 | 20-40 | — | — | — |
| DS90CR213 | 5 | 21:3 | 20-66 | — | — | — |
| DS90CR214 | 5 | 3:21 | 20-66 | — | — | — |
| DS90CR215 | 3.3 | 21:3 | 20-66 | — | — | — |
| DS90CR216 † | 3.3 | 3:21 | 20-66 | — | — | — |
| DS90CR216A | 3.3 | 3:21 | 20-66 | — | — | — |
| DS90CR217 | 3.3 | 21:3 | 20-85 | — | — | — |
| DS90CR218 † | 3.3 | 3:21 | 20-75 | — | — | — |
| DS90CR218A | 3.3 | 3:21 | 20-85 | — | — | — |
| DS90CR281 † | 5 | 21:3 | 20-40 | — | — | — |
| DS90CR282 † | 5 | 3:21 | 20-40 | — | — | — |
| DS90CR283 | 5 | 21:3 | 20-66 | — | — | — |
| DS90CR284 | 5 | 3:21 | 20-66 | — | — | — |
| DS90CR285 | 3.3 | 21:3 | 20-66 | — | — | — |
| DS90CR286 † | 3.3 | 3:21 | 20-66 | — | — | — |
| DS90CR286A | 3.3 | 3:21 | 20-66 | — | — | — |
| DS90CR287 | 3.3 | 21:3 | 20-85 | — | — | — |
| DS90CR288 † | 3.3 | 3:21 | 20-75 | — | — | — |
| DS90CR288A | 3.3 | 3:21 | 20-85 | — | — | — |
| DS90CR481 | 3.3 | 48:8 | 65-112 | Yes | — | Yes |
| DS90CR482 | 3.3 | 8:48 | 65-112 | Yes | Up to 80 MHz in DC balance mode | — |
| DS90CR483 | 3.3 | 48:8 | 33-112 | Yes | — | Yes |
| DS90CR484 | 3.3 | 8:48 | 33-112 | Yes | Up to 80 MHz in DC balance mode | — |
| DS90CR485 | 2.5/3.3 | 48:8 | 66-133 | Yes | — | Yes |
| DS90CR486 | 3.3 | 8:48 | 66-133 | Yes | Yes | — |

† Use DS90CR213/4, DS90CR283/4, DS90CR216A, DS90CR218A, DS90CR286A, or DS90CR288A instead for new designs.

Power Up/Down & Floating Inputs

| Device Name | All Inputs Floating/Failsafe | | Power Down | | No Input Clock | | Recommended Power-Up Sequence |
|-------------|------------------------------|--------------|---------------|--------------|----------------|--------------|--|
| | Clock Outputs | Data Outputs | Clock Outputs | Data Outputs | Clock Outputs | Data Outputs | |
| DS90CR211 † | High-Z | High-Z | High-Z | High-Z | Low | Low | — |
| DS90CR212 † | High | High | High | Prior State | High | Prior State | — |
| DS90CR213 | High-Z | High-Z | High-Z | High-Z | Low | Low | — |
| DS90CR214 | High | High | High | Prior State | High | Prior State | — |
| DS90CR215 | High-Z | High-Z | High-Z | High-Z | High-Z | High-Z | — |
| DS90CR216 † | High | High | High | Low | High | Low | — |
| DS90CR216A | High | High | High | Low | High | Low | — |
| DS90CR217 | High-Z | High-Z | High-Z | High-Z | Active | Low | 1) Power up with /PD pin LOW 2) Bring /PD high or 1) Apply clock 2) Power up |
| DS90CR218 † | High | High | Low | Low | Active | Low | — |
| DS90CR218A | High | High | High | Low | Active | Low | — |
| DS90CR281 † | High-Z | High-Z | High-Z | High-Z | Low | Low | — |
| DS90CR282 † | High | High | High | Prior State | High | Prior State | — |
| DS90CR283 | High-Z | High-Z | High-Z | High-Z | Low | Low | — |
| DS90CR284 | High | High | High | Prior State | High | Prior State | — |
| DS90CR285 | High-Z | High-Z | High-Z | High-Z | High-Z | High-Z | — |
| DS90CR286 † | High | High | High | Low | High | Low | — |
| DS90CR286A | High | High | High | Low | High | Low | — |
| DS90CR287 | High-Z | High-Z | High-Z | High-Z | Active | Low | 1) Power up with /PD pin LOW 2) Bring /PD high or 1) Apply clock 2) Power up |
| DS90CR288 † | High | High | Low | Low | Active | Low | — |
| DS90CR288A | High | High | High | Low | Active | Low | — |
| DS90CR481 | High-Z | High-Z | High-Z | High-Z | High-Z | High-Z | — |
| DS90CR482 | High | Low | Low | Low | High | Low | — |
| DS90CR483 | High-Z | High-Z | High-Z | High-Z | High-Z | High-Z | — |
| DS90CR484 | High | Low | Low | Low | High | Low | — |
| DS90CR485 | High-Z | High-Z | High-Z | High-Z | High-Z | High-Z | Power up both supplies together or 1) Power up 3.3 V first, then 2.5 V supply 2) Apply clock 3) Bring /PD pin high |
| DS90CR486 | Low | High | Low | Low | Low | Prior State | — |

† Use DS90CR213/4, DS90CR283/4, DS90CR216A, DS90CR218A, DS90CR286A, or DS90CR288A instead for new designs.

Channel Link Operation

DS90CR48x Deskew

Deskew

The 48-bit Channel Link deskew function compensates for fixed pair-to-pair skew such as the fixed skew in cables, connectors, and PCB traces.

Deskew operation is fundamentally different in the DS90CR482/484 versus the DS90CR486. With the DS90CR482/484, deskew operation is initiated by the serializer. The serializer DS_OPT pin is held low for 50 μ s and the serializer sends a deskew pattern to the deserializer. The deserializer recognizes this pattern and performs the deskew operation if its DESKEW pin is high.

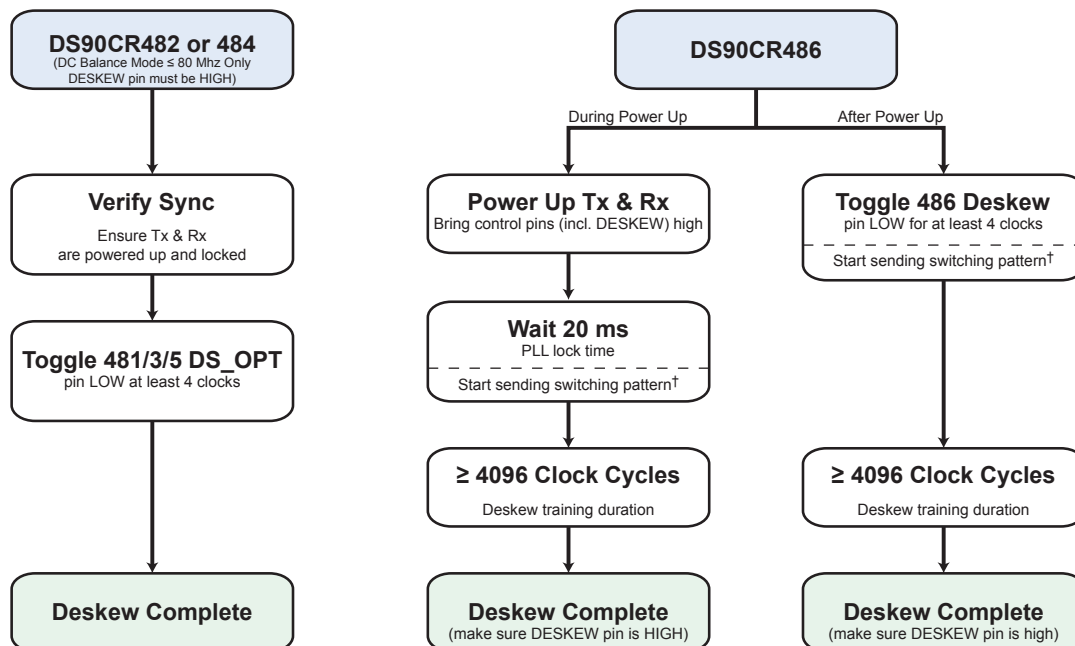
Using the DS90CR486, however, deskew is initiated by the DS90CR486 deserializer and not via the serializer. For the DS90CR486 to deskew properly, it must receive switching data on its inputs either during power up or when toggling the DS90CR486 DESKEW pin.

Differences between DS90CR482/484 and DS90CR486 deskew operation are:

- DS90CR482/484 deskew is controlled by toggling the DS90CR481/483/485 serializer DS_OPT pin. DS90CR486 deskew is controlled by toggling the DS90CR486 deserializer DESKEW pin.
- The DS90CR482/484 deskew function works up to 80 MHz. The DS90CR486 deskew works over its entire operating clock range.
- The DS90CR482/484 deskew works only in DC balance mode. The DS90CR486 works in both DC balance and non-DC-balance modes.
- The DS90CR482/484 deskew up to ± 1 LVDS data bit time (UI). The DS90CR486 deskews up to ± 200 ps. If interconnect skew exceeds these values, the additional skew will degrade noise margins and must be subtracted from RSKM.
- The DS90CR486 performs deskew automatically upon power up.

During deskew operation, the DS90CR486 requires a switching pattern for at least 4096 clock cycles on all LVDS data inputs to optimize deskew calibration. In a valid deskew switching pattern, each data line has at least one LVDS edge transition per clock cycle. This switching pattern can be generated by the system—or the DS90CR481/483/485 transmitters can generate a valid deskew pattern automatically using the DS90CR481/483/485 transmitter DS_OPT pin.

Deskew should be performed at system start up and whenever the cable is replaced. Once deskew is performed, it does not need to be repeated as long as the pair-to-pair system skew remains within the RSKM budget. A well-designed system has enough RSKM margin to accommodate the very small skew changes due to temperature, voltage and age. For example, after a system starts up, it deskews the cable. As long as the cable is not replaced with a different cable, deskew is normally not repeated.



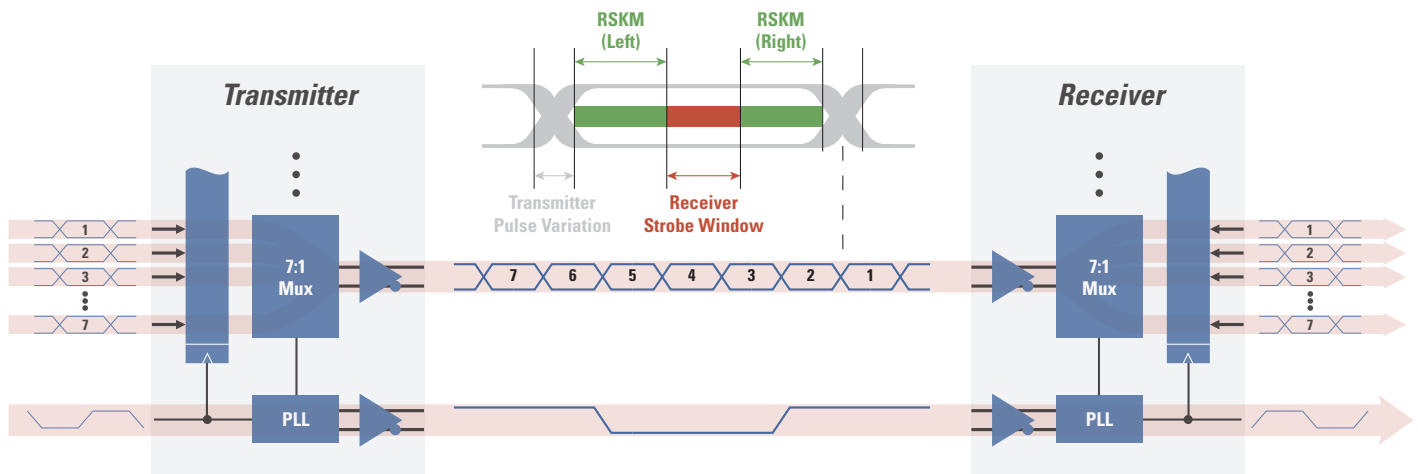
† Switching pattern has at least one LVDS edge transition per clock cycle. This pattern can be a random data generated by the system or the deskew pattern generated by a DS90CR481/3/5 receivers when its DS_OPT pin is pulled LOW.

Calculating RSKM Link Margin

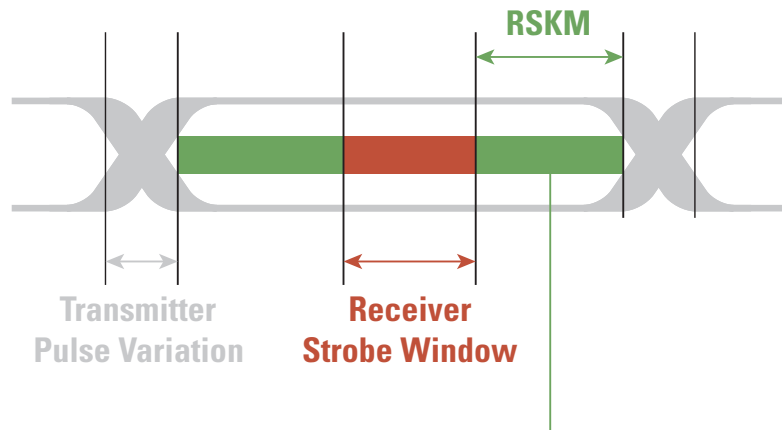
Receiver Skew Margin (RSKM) & Pair-to-Pair Skew

The main consideration for Channel Link SerDes performance over cable is pair-to-pair skew. Unlike other SerDes, Channel Link SerDes send data and clock over multiple pairs, lowering the data rate per pair and reducing the normal concerns from ISI.

Channel Link SerDes can be thought of as being very high speed latches. As long as input setup and hold times are met, no data or bit errors occur and data in will equal data out. The Channel Link serializer is like a normal latch that strobbs data once or twice a clock cycle. Channel Link SerDes deserializers, on the other hand, sample 7 bits every clock cycle making skew between the clock and data pairs very important to ensure setup and hold times are met, i.e. the data sample strobbs are aligned to the middle of the data bits. Determining if interconnect skew meets the receiver setup and hold times is easy since the Channel Link deserializer datasheet provides a single specification called receiver skew margin (RSKM) that indicates the maximum amount of skew and jitter the deserializer can tolerate.



If both RSKM-left and RSKM-right are given in the datasheet, use the smaller of the two.



RSKM must be greater than LVDS skew + jitter

Channel Link Operation

Calculating RSKM Link Margin Without Deskew

RSKM is very similar to the receiver jitter tolerance specifications of other SerDes devices, except:

- RSKM already includes serializer data output jitter. Clock jitter is not included, however, and therefore TJCC must be subtracted out.
- RSKM is not only just a jitter tolerance specification but a “jitter plus pair-to-pair skew” tolerance specification.

Link Margin Without Deskew

The RSKM specification indicates how much skew and jitter the deserializer can tolerate, therefore, total pair-to-pair skew and clock plus data jitter must be less than the RSKM specification for no bit errors:

$$\text{pair-to-pair skew (cable plus PCB skew) + jitter (clock plus data jitter) < RSKM}$$

where

Pair-to-pair cable skew is given by the cable manufacturers cable specification.

PCB layout skew can be simulated or measured but may be negligible in a carefully designed system.

Clock jitter is given by the TJCC datasheet spec and is 100 ps worst case. Only cycle-to-cycle clock jitter is important since the receiver uses the *previous* clock cycle to latch in the *current* data cycle.

| Application | TJCC Value |
|--|------------|
| Telecom System with Very Low Jitter Clocks | 50 ps |
| Systems with PC-Grade Clocks | 100 ps |

TJCC worst case is 100 ps

Data jitter from the serializer outputs is already contained in the RSKM specification, so only jitter contributed by the interconnect should be considered. This jitter consists mainly inter-symbol interference (ISI) effects due to cable loss and can be measured on an eye pattern. For short cables, ISI may be negligible. For systems with short cables and very low PCB layout skew, the link margin formula above can be reduced to simply:

$$\text{Cable skew + TJCC (100 ps) < RSKM}$$

| Parameter | | Short Cables | Long Cables |
|----------------------------------|---|--|--|
| Pair-to-Pair Skew | + | Cable assembly + PCB skew | Cable assembly + PCB skew |
| Clock Jitter = TJCC | + | 100 ps | 100 ps |
| Data Jitter Added by Cable = ISI | + | ≈ 0 | Measure from eye pattern |
| Receiver Skew Margin | - | RSKM from datasheet | RSKM from datasheet |
| Remaining Link Margin | = | RSKM - (pair-to-pair skew + TJCC) | RSKM - (pair-to-pair skew + TJCC + ISI) |

Calculating RSKM Link Margin With Deskew

Link Margin With Deskew

Cable pair-to-pair skew is often the limiting factor in Channel Link designs. Therefore, the DS90CR48x 48-bit Channel Link chipsets include a feature to deskew the cable. After deskew operation is performed using these chipsets, only pair-to-pair skew that exceeds the deskew range of the chipset must be subtracted from link margin. Therefore, the interconnect has design margin if remaining pair-to-pair skew after deskew plus jitter is less than the RSKMD specification:

$$\text{pair-to-pair skew (amount exceeding deskew range) + jitter (clock plus data jitter) < RSKMD}$$

where

Pair-to-pair cable skew is the deskew range, RDR, of the receiver datasheet minus the total cable/connector/PCB interconnect skew. If RDR is greater than the interconnect skew, then use 0 ps for pair-to-pair skew in the equation.

Clock jitter is given by the TJCC datasheet spec and is 100 ps worst case. Only cycle-to-cycle clock jitter is important since the receiver uses the *previous* clock cycle to latch in the *current* data cycle.

| Application | TJCC Value |
|--|------------|
| Telecom System with Very Low Jitter Clocks | 50 ps |
| Systems with PC-Grade Clocks | 100 ps |

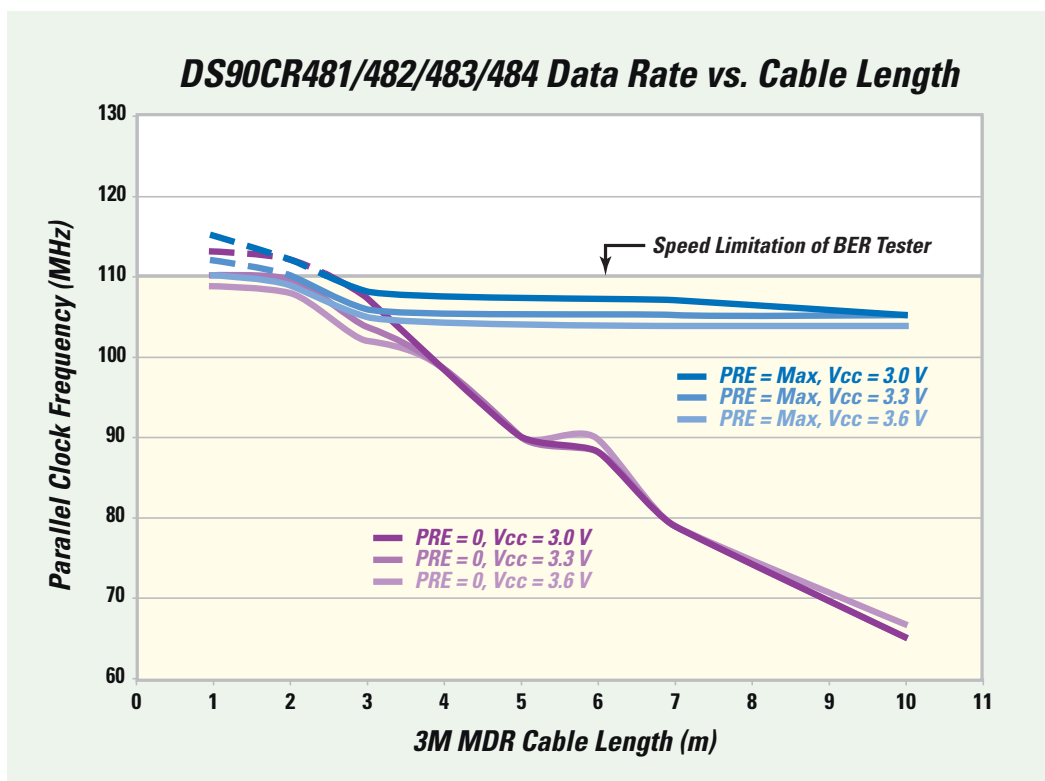
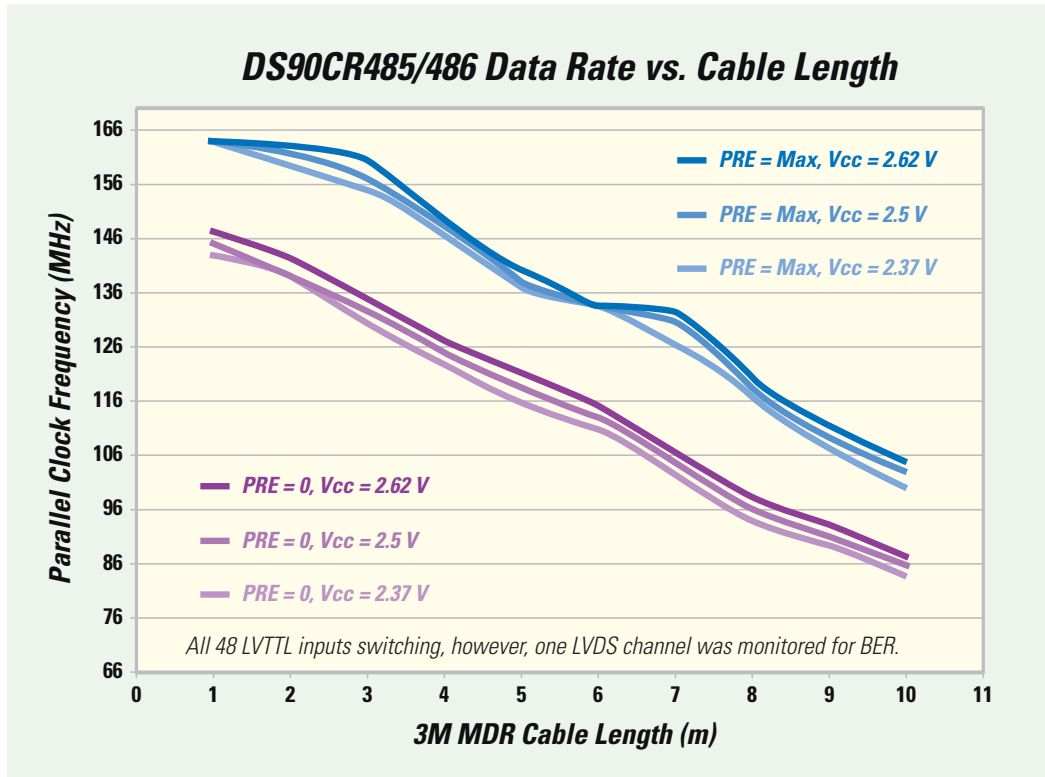
TJCC worst case is 100 ps

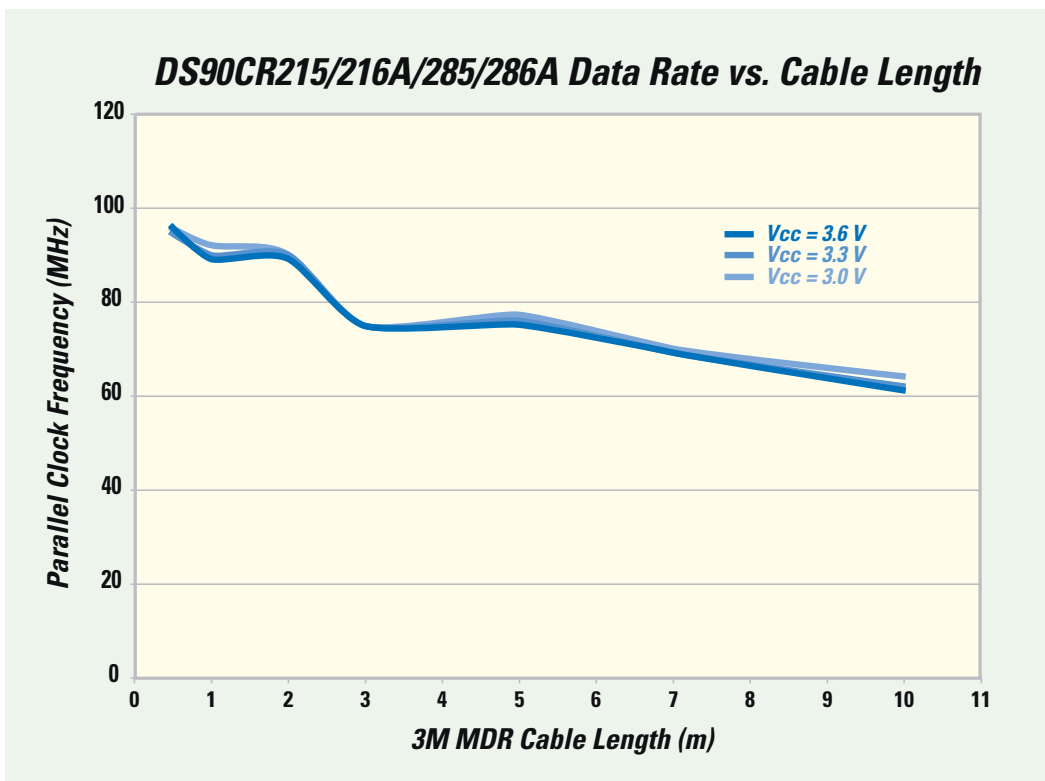
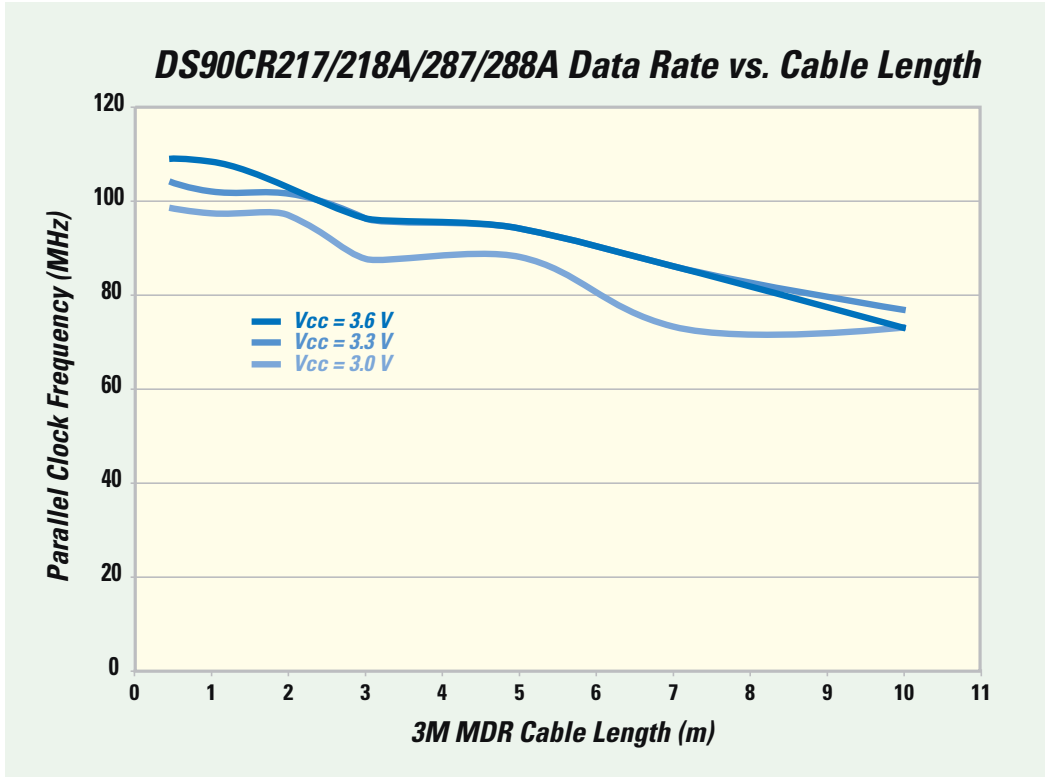
Data jitter from the serializer outputs is already contained in the RSKM specification, so only jitter contributed by the interconnect should be considered. This jitter consists mainly inter-symbol interference (ISI) effects due to cable loss and can be measured on an eye pattern. For short cables, ISI may negligible and the receiver deskew range is large enough to fully deskew the interconnect. For systems with short cables where RDR exceeds interconnect skew, the link should be able to operate at the chipset maximum frequency provided that PLLVCC noise is less than 100 mV P-P and the transmit clock jitter is on the order of 100 ps or less.

| Parameter | | Short Cables | Long Cables |
|----------------------------------|---|---|---|
| Pair-to-Pair Skew | + | ≈ 0 | RDR - (Cable assembly + PCB skew) |
| Clock Jitter = TJCC | + | 100 ps | 100 ps |
| Data Jitter Added by Cable = ISI | + | ≈ 0 | Measure from eye pattern |
| Receiver Skew Margin | - | RSKMD from datasheet | RSKMD from datasheet |
| Remaining Link Margin | = | Sufficient margin should exist for max frequency operation | RSKMD - ((RDR - pair-to-pair skew) + TJCC + ISI) |

Data Rate vs. Cable Length

48-bit Channel Link





For More Info

For more information on National Semiconductor's broad range of products please visit:
www.national.com

For your nearest distributor, visit:
www.national.com/contacts

National's Worldwide Customer Support Centers

Americas

Email: new.feedback@nsc.com
Phone: 1-800-272-9959

Europe

Fax: +49 (0) 180-530 85 86
Email: europe.support@nsc.com
Phone:

Deutsch +49 (0) 69 9508 6208
English +44 (0) 870 24 0 2171
Français +33 (0) 1 41 91 87 90

Asia Pacific

Email: ap.support@nsc.com

Japan

Fax: 81-3-5639-7507
Email: jpn.feedback@nsc.com
Phone: 81-3-5639-7560



LVDS Owner's Manual—3rd Edition

Changes to the June 2006 document since the last version:

Page 14: Valid deskew pattern relaxed from three LVDS edge transitions (May 2005) to one LVDS edge transition (June 2006) per clock cycle.



IMPORTANT NOTICE

Texas Instruments Incorporated and its subsidiaries (TI) reserve the right to make corrections, modifications, enhancements, improvements, and other changes to its products and services at any time and to discontinue any product or service without notice. Customers should obtain the latest relevant information before placing orders and should verify that such information is current and complete. All products are sold subject to TI's terms and conditions of sale supplied at the time of order acknowledgment.

TI warrants performance of its hardware products to the specifications applicable at the time of sale in accordance with TI's standard warranty. Testing and other quality control techniques are used to the extent TI deems necessary to support this warranty. Except where mandated by government requirements, testing of all parameters of each product is not necessarily performed.

TI assumes no liability for applications assistance or customer product design. Customers are responsible for their products and applications using TI components. To minimize the risks associated with customer products and applications, customers should provide adequate design and operating safeguards.

TI does not warrant or represent that any license, either express or implied, is granted under any TI patent right, copyright, mask work right, or other TI intellectual property right relating to any combination, machine, or process in which TI products or services are used. Information published by TI regarding third-party products or services does not constitute a license from TI to use such products or services or a warranty or endorsement thereof. Use of such information may require a license from a third party under the patents or other intellectual property of the third party, or a license from TI under the patents or other intellectual property of TI.

Reproduction of TI information in TI data books or data sheets is permissible only if reproduction is without alteration and is accompanied by all associated warranties, conditions, limitations, and notices. Reproduction of this information with alteration is an unfair and deceptive business practice. TI is not responsible or liable for such altered documentation. Information of third parties may be subject to additional restrictions.

Resale of TI products or services with statements different from or beyond the parameters stated by TI for that product or service voids all express and any implied warranties for the associated TI product or service and is an unfair and deceptive business practice. TI is not responsible or liable for any such statements.

TI products are not authorized for use in safety-critical applications (such as life support) where a failure of the TI product would reasonably be expected to cause severe personal injury or death, unless officers of the parties have executed an agreement specifically governing such use. Buyers represent that they have all necessary expertise in the safety and regulatory ramifications of their applications, and acknowledge and agree that they are solely responsible for all legal, regulatory and safety-related requirements concerning their products and any use of TI products in such safety-critical applications, notwithstanding any applications-related information or support that may be provided by TI. Further, Buyers must fully indemnify TI and its representatives against any damages arising out of the use of TI products in such safety-critical applications.

TI products are neither designed nor intended for use in military/aerospace applications or environments unless the TI products are specifically designated by TI as military-grade or "enhanced plastic." Only products designated by TI as military-grade meet military specifications. Buyers acknowledge and agree that any such use of TI products which TI has not designated as military-grade is solely at the Buyer's risk, and that they are solely responsible for compliance with all legal and regulatory requirements in connection with such use.

TI products are neither designed nor intended for use in automotive applications or environments unless the specific TI products are designated by TI as compliant with ISO/TS 16949 requirements. Buyers acknowledge and agree that, if they use any non-designated products in automotive applications, TI will not be responsible for any failure to meet such requirements.

Following are URLs where you can obtain information on other Texas Instruments products and application solutions:

Products

| | |
|------------------------|--|
| Audio | www.ti.com/audio |
| Amplifiers | amplifier.ti.com |
| Data Converters | dataconverter.ti.com |
| DLP® Products | www.dlp.com |
| DSP | dsp.ti.com |
| Clocks and Timers | www.ti.com/clocks |
| Interface | interface.ti.com |
| Logic | logic.ti.com |
| Power Mgmt | power.ti.com |
| Microcontrollers | microcontroller.ti.com |
| RFID | www.ti-rfid.com |
| OMAP Mobile Processors | www.ti.com/omap |
| Wireless Connectivity | www.ti.com/wirelessconnectivity |

Applications

| | |
|-------------------------------|--|
| Communications and Telecom | www.ti.com/communications |
| Computers and Peripherals | www.ti.com/computers |
| Consumer Electronics | www.ti.com/consumer-apps |
| Energy and Lighting | www.ti.com/energy |
| Industrial | www.ti.com/industrial |
| Medical | www.ti.com/medical |
| Security | www.ti.com/security |
| Space, Avionics and Defense | www.ti.com/space-avionics-defense |
| Transportation and Automotive | www.ti.com/automotive |
| Video and Imaging | www.ti.com/video |

TI E2E Community Home Page

e2e.ti.com

Mailing Address: Texas Instruments, Post Office Box 655303, Dallas, Texas 75265
Copyright © 2011, Texas Instruments Incorporated