

AN-1950 Silently Powering Low Noise Applications

ABSTRACT

This application report explains how to implement a low noise switch mode power supply solution. It introduces the sources of noise and explain how to minimize them. A big factor in noise generation and propagation is the printed circuit board layout. Important basics are discussed. Circuit measurement techniques are also explained to guide a design engineer towards a low noise but efficient solution.

Contents

1	Introduction	2
2	Powering Noise Sensitive Circuitry	2
3	Different Point of Load Topologies and Typical Noise	2
4	Designing a Switch Mode Power Supply for Low Noise	4
5	Layout is the Biggest Factor for Low Noise	4
6	Locating the AC Current Paths	4
7	Keeping Things Stable	6
8	The Beat Frequency Phenomenon	6
9	Other Helpful Considerations	7
10	What is Ripple Voltage and How is it Measured	7
11	Silence is Golden	8

List of Figures

1	Typical Concepts of How to Power Very Noise Sensitive Circuitry	2
2	Low EMI and High EMI Terminals on Common DC to DC Topologies	3
3	Current Flow in a Buck Converter	5
4	Layout Example with Short AC Traces from Indicated by Dotted Lines	6
5	Typical Output Voltage and Switch Node Waveform.....	7
6	Good Measurement Setup to Measure Output Ripple Voltage	7
7	Poor Measurement Setup.....	8
8	Measurement Results with a Bad Measurement Setup	8

1 Introduction

Highly sensitive signal path applications such as in the communications infrastructure need to be powered like any other electrical circuit. What makes this task especially difficult is that the power has to be provided without generating unwanted noise and without passing it along into the sensitive signal path circuitry. The power supplies must be as efficient as possible to save energy and to reduce unwanted heat generation. Mostly switch mode power supply circuits are implemented in such systems to fulfill the energy efficiency requirement. Unfortunately they are noisy by definition.

2 Powering Noise Sensitive Circuitry

An example for noise sensitive loads is an application used in wireless infrastructure systems such as a low IF receiver reference design using the ADC16V130 analog-to digital converter as well as the LMK04031B clock conditioner which provides digitization and clocking, see *RD-170 Low IF Receiver Reference Design* ([SNAU078](#)). For noise purposes very often linear regulators need to be used as power supplies directly powering the load. Since linear regulators become very inefficient when the input to output voltage ratio becomes large, the combination of a switch mode power supply with a linear regulator becomes necessary. In such systems very special care has to be taken to limit the influence of a noisy switch mode power supply onto the signal path of the application.

There are three power management concepts often encountered to power very noise sensitive signal path circuitry. [Figure 1](#) shows three typical concepts. In addition to the shown three concepts there are many more related topologies. In this article we will focus mostly on the bottom concept of [Figure 1](#). The reference design RD-170 ([SNAU078](#)) includes linear regulators as local low noise power supplies and a good solution for a switch mode power supply powering the board RD-170. Other noise sensitive circuitry is also discussed in this application report.

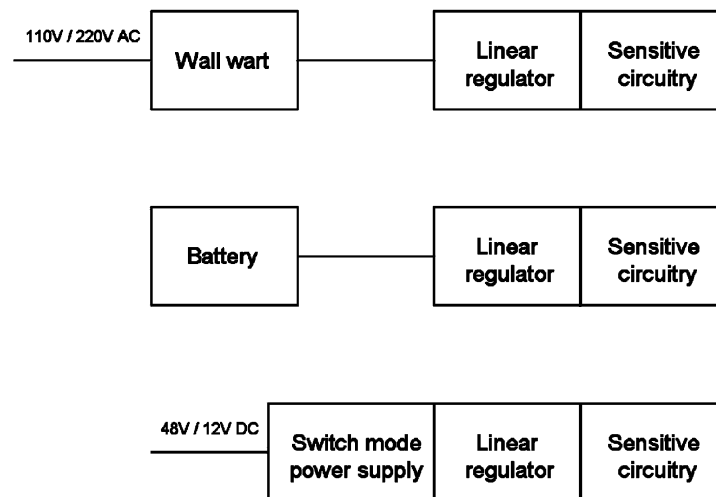


Figure 1. Typical Concepts of How to Power Very Noise Sensitive Circuitry

3 Different Point of Load Topologies and Typical Noise

There are different switch mode point of load power management topologies. [Figure 2](#) shows the most common basic topologies. Each one of them uses an inductor and a power switch consisting either of two transistors or one transistor and a diode. When looking at the inputs and outputs of the different topologies, one can see that some are relatively silent and some are relatively noisy. The high noise (high EMI) is caused when there is no inductor close to the connection. In such cases the connection sees large currents which are turning on and off in short amounts of time. In typical switch mode power supplies, the transition from no current to full current at the switch node is 15ns or less. This large di/dt causes high power voltage noise in the system.

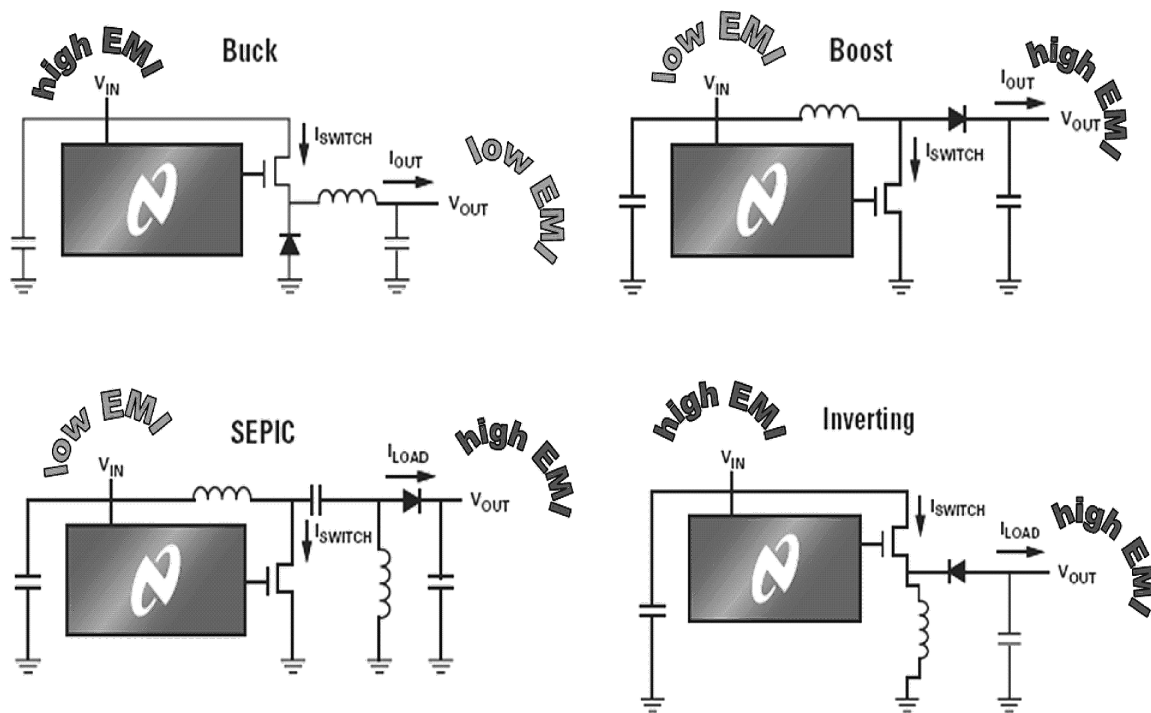


Figure 2. Low EMI and High EMI Terminals on Common DC to DC Topologies

Besides different possible topologies, each one can be realized with different control modes. Table 1 shows advantages and disadvantages of the most common control modes. Hysteretic Mode Control has only a hysteretic comparator regulating the output voltage. It is a very fast control method but does not have a fixed switching frequency. This makes it not very suitable for low noise applications because additional filtering can not be optimized easily and it is hard to predict the frequency of generated noise. Then there is Voltage Mode Control that regulates the output only by looking at the output voltage. It has its unique stability behavior and usually a little bit slower transient response compared to a Current Mode Control system. In Current Mode Control, besides the output voltage sensing, also the switch current is sensed. This makes the loop compensation a bit simpler and also may speed up transient responses.

Table 1. Advantages and Disadvantages of Different Control Modes

	Voltage Mode Control	Current Mode Control	Emulated Current Mode Control	Hysteretic Mode Control	Hysteretic with Ripple Injection
Loop Speed	+	0	0	++	++
Ease of compensation	-	+	+	No compensation	No compensation
Fixed switching frequency	+	+	+	-	-
Low dropout voltage at high switching frequency	+	+	-	+	+
Large V_{in} to V_{out} difference at high switching frequency	+	-	+	+	+
Low output voltage ripple possible	+	+	+	-	+

4 Designing a Switch Mode Power Supply for Low Noise

One of the first tasks after having chosen the power conversion topology is the selection of external components while keeping in mind the low noise requirement. For the following considerations we look at the discrete components of a buck (step down) topology. Input capacitors in buck regulators are especially critical. Input filtering is very important due to the fact that the input connection of a buck sees significant AC currents. Possibly even an additional LC filter on the input might be needed to reduce system noise. Low ESR bypass capacitors are needed on the input to handle the fast di/dt currents. Often also some higher ESR input capacitor for input damping is required.

Regarding the power switch there are MOSFETs as well as bipolar transistors to choose from. Bipolar transistors are usually lower noise due to longer transition times and rounder switching edges. MOSFETs are usually preferred however due to their higher efficiency. In non synchronous buck regulators the low side switch is a free wheeling diode. A Schottky diode is a must due to their very small reverse recovery effect. Other diode types are not recommended since Schottkys are much faster than other types such as ultra fast diodes. Shielded inductors are usually better than unshielded ones for low noise applications. In general, the larger the inductance, the lower the inductor current ripple and the lower the output voltage ripple with a given output capacitor. However, if load transients are severe, a large inductance will show a larger load transient response.

The ESR and size of the output capacitors directly define the output ripple voltage with a given inductor size. Large low ESR output capacitors are beneficial for low noise.

5 Layout is the Biggest Factor for Low Noise

PCB traces have inductance. Thicker traces, effectively bigger wire diameter, will reduce the inductance, but only slightly. The area enclosed by the current loop, and there is always a loop, has the greatest effect on stray inductance. Keep current paths directly adjacent to their return paths, parallel on the same layer or directly above/below on adjacent layer. A typical inch of printed circuit board trace has about 20 nH of inductance. Assuming a transition time of 15 ns from 0A of current to 3A of current will yield a 4V potential offset across that inch long trace. This shows how important a tight layout is to switch mode power supplies especially regarding noise. Signals in a system are not voltages going from one pin to the next over wires.

Signals are currents that must go from a source of energy and they must return to that same source of energy. Currents always take the path of least impedance and not the path of least resistance. For DC currents the path of least impedance is the same as the path of least resistance. For AC currents like we see them in switch mode power supplies, the path of least impedance is often different than the path of least resistance.

6 Locating the AC Current Paths

In switch mode power supplies, the most important board layout rule is to keep AC current traces as low inductance as possible. This means to keep these traces as short as possible and also on one layer with thick traces and preferably no vias. Any inductance in the AC current traces will cause large voltage offsets that will produce excessive noise. Current flow diagrams show very quickly where these AC traces are. They also show that ground traces are just as much AC traces as other traces. For more details, see [AN-1229 SIMPLE SWITCHER PCB Layout Guidelines \(SNVA054\)](#).

[Figure 3](#) shows on the top circuit the current flow as a dotted line in a buck converter in the transistor on-state. The middle circuit shows the current flow as a dotted line during the transistor off-state. The bottom circuit shows all the critical AC traces where current flow is changing from on-state to off-state. [Figure 4](#) shows a layout implementation keeping these critical AC current traces as short as possible to avoid unnecessary trace inductance and to keep noise as low as possible.

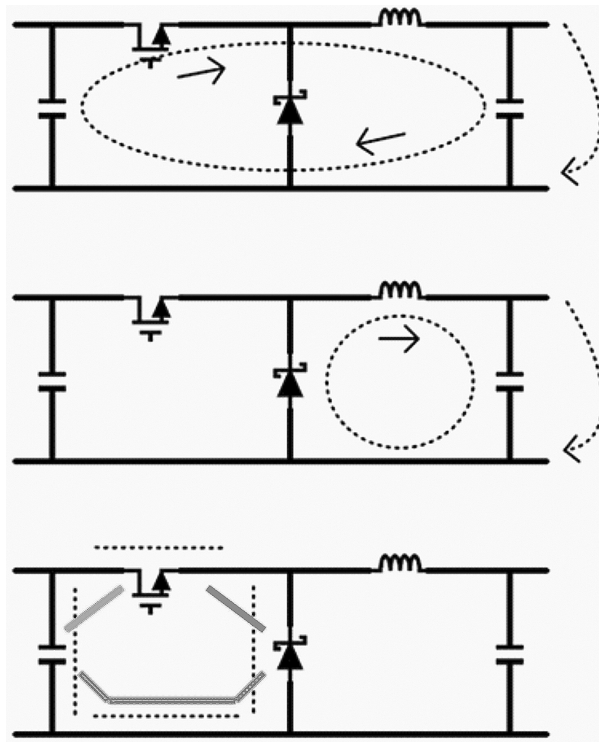


Figure 3. Current Flow in a Buck Converter

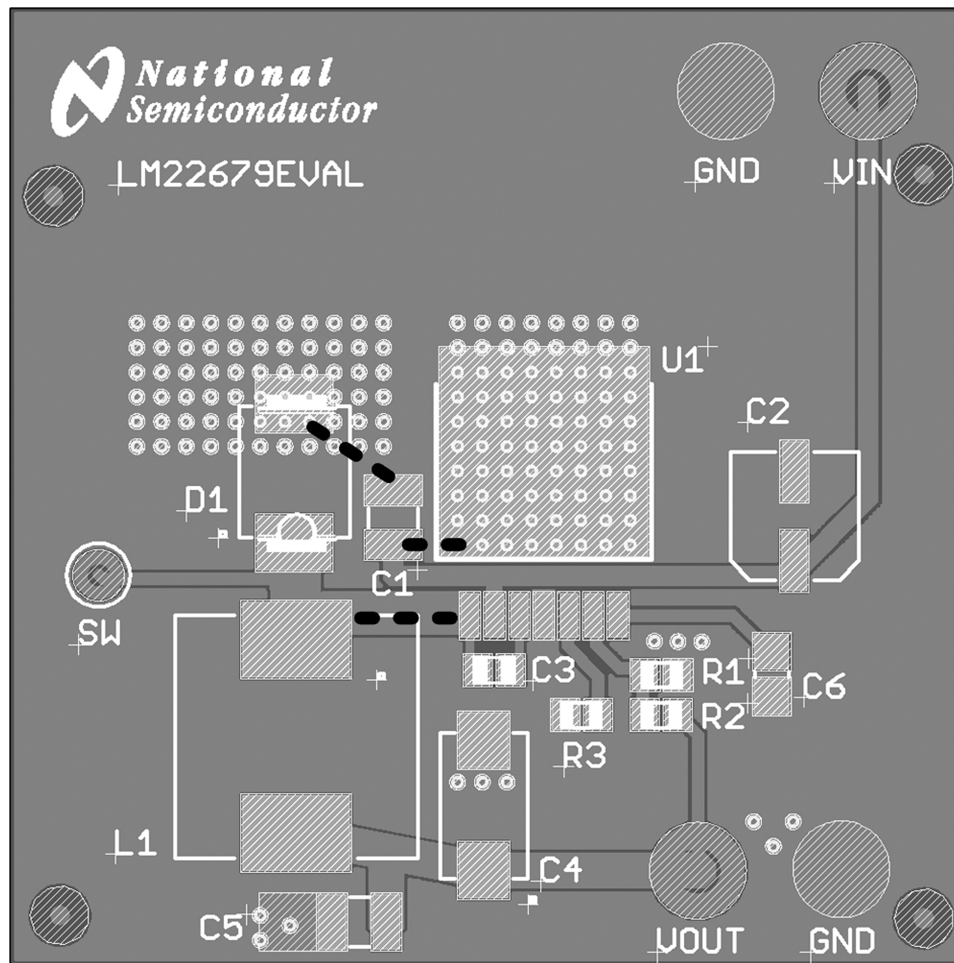


Figure 4. Layout Example with Short AC Traces from Figure 3 Indicated by Dotted Lines

7 Keeping Things Stable

If a power supply is supposed to be low noise, a very important step is to stabilize the power supply. Since any regulated power supply has a control loop it may be unstable. If the power supply is not stable, some over voltage protection will usually limit the voltage on the output causing higher output voltage ripple as well as unpredictable switching frequencies which are hard to filter. Instability can be observed by looking at the switch node voltage and observing if the falling edge of the signal is randomly jumping back and forth or if it is calm. Some movement of the falling edge is quite common, but it should not move more than about 5% of one switching period. For a step by step guide to taking a Bode plot measurement with only a signal generator and a standard oscilloscope, see *AN-1889 How to Measure the Loop Transfer Function of Power Supplies Application Report* ([SNVA364](#)). No network analyzer is required to do a thorough control loop measurement of a power supply.

8 The Beat Frequency Phenomenon

If more than one switch mode power supply is present in a system, the beat frequencies have to be considered. The power supply rejection ratio (PSRR) is usually very poor at high frequencies. The issue is that the switching noise from one switch mode power supply will pass to the output of a second parallel switch mode power supply. A solution in such situations is to use additional LC filtering on the input of the supplies or to synchronize the point of load regulators to share one switching frequency.

9 Other Helpful Considerations

A snubber can silence the switch node. Typically the switch node ringing is not a big concern regarding noise since it is a very low energy ringing. However, in some applications it is required to snub the high frequency ringing away. The ringing can be dissipated with a RC circuit (snubber) from the switch node to ground.

Additional LC filtering on the output for a high EMI output topology such as a SEPIC topology (see [Figure 2](#)) can reduce the output ripple voltage as well as noise dramatically. In some systems linear regulators are used in a cascaded fashion with a switch mode power supply to filter noise. Such a linear regulator post filtering is only useful if there is a longer trace (distance) and decoupled grounds between the switch mode power supply and the linear regulator. If they both are on the same board, an LC filter might be the cheaper and better alternative. A good application for using an LDO is if the switch mode power supply is on a different PCB than the linear regulator. Linear regulators also have the advantage of providing very good DC regulation compared to a LC filter approach .

10 What is Ripple Voltage and How is it Measured

Common language is misleading when it comes to describing noise in power supplies. What is regarded as switching noise is actually not noise in the common sense of random occurrences in frequency. The noise is deterministic at the switching frequency, transition period frequency and the multiples thereof. [Figure 5](#) shows a typical output voltage measurement of a step down switch mode power supply. There is some output ripple voltage that is about 5 mV. In addition to the ripple voltage, there is also some high frequency transition amplitude right at the switch transitions of the switch node. This noise shows about 70 mV of spikes and it may be line bound or electro magnetically coupled. The measurement was obtained by using an oscilloscope probe tip with a very short ground connection to the board under test. See [Figure 6](#) for a picture of a good measurement connection.

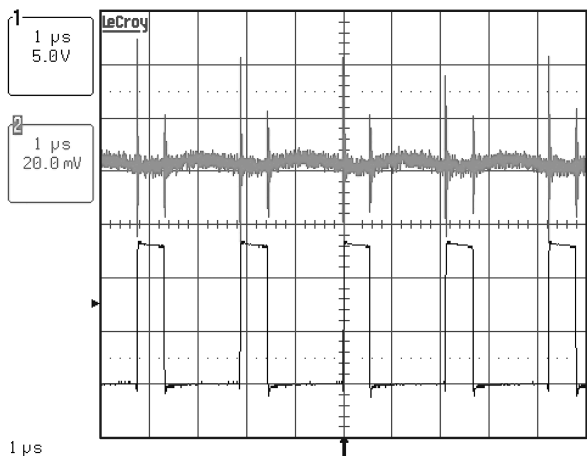


Figure 5. Typical Output Voltage and Switch Node Waveform

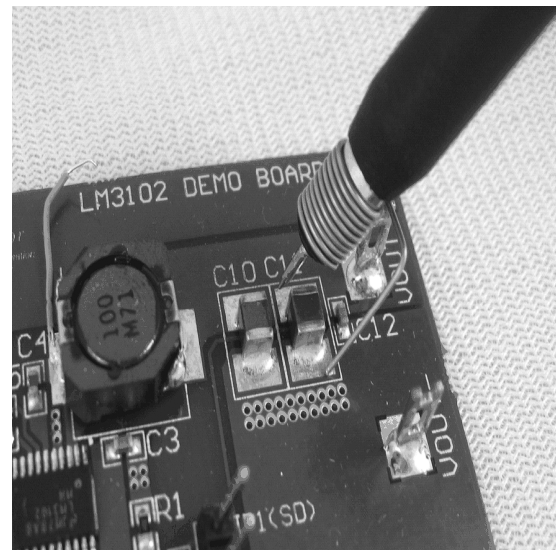


Figure 6. Good Measurement Setup to Measure Output Ripple Voltage

Figure 7 shows a bad measurement technique with a long ground trace connection. This ground cable is a high impedance node and picks up switching noise like an antenna which is not real in that amplitude. Figure 8 shows the measurement result with the same board and operating conditions as used for Figure 5 but with a careless measurement setup as shown in Figure 7. The measurement shows spikes up to 1V peak to peak and they are only caused by poor measurement.

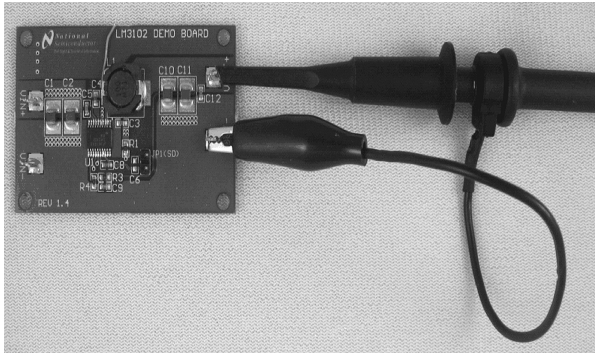


Figure 7. Poor Measurement Setup

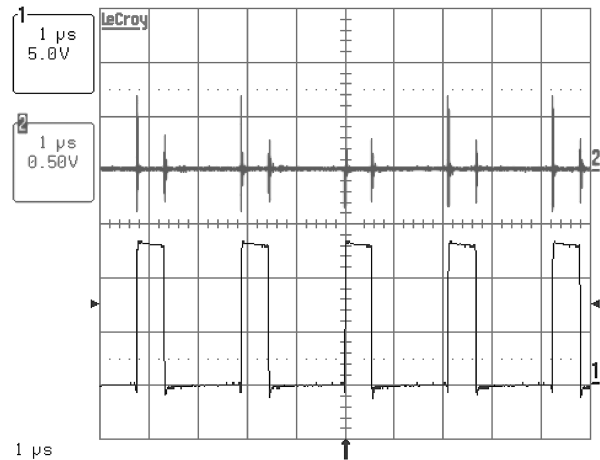


Figure 8. Measurement Results with a Bad Measurement Setup

11 Silence is Golden

For low noise signal path applications, power supply noise is a critical consideration. As described in this application report, many factors are important to consider when designing a power supply to power applications such as wireless infrastructure systems. With a good understanding of the issues involved, the right topology, control mode and layout can be selected and implemented. Also noise measurement techniques are very important to consider when optimizing for low noise.

IMPORTANT NOTICE

Texas Instruments Incorporated and its subsidiaries (TI) reserve the right to make corrections, enhancements, improvements and other changes to its semiconductor products and services per JESD46, latest issue, and to discontinue any product or service per JESD48, latest issue. Buyers should obtain the latest relevant information before placing orders and should verify that such information is current and complete. All semiconductor products (also referred to herein as "components") are sold subject to TI's terms and conditions of sale supplied at the time of order acknowledgment.

TI warrants performance of its components to the specifications applicable at the time of sale, in accordance with the warranty in TI's terms and conditions of sale of semiconductor products. Testing and other quality control techniques are used to the extent TI deems necessary to support this warranty. Except where mandated by applicable law, testing of all parameters of each component is not necessarily performed.

TI assumes no liability for applications assistance or the design of Buyers' products. Buyers are responsible for their products and applications using TI components. To minimize the risks associated with Buyers' products and applications, Buyers should provide adequate design and operating safeguards.

TI does not warrant or represent that any license, either express or implied, is granted under any patent right, copyright, mask work right, or other intellectual property right relating to any combination, machine, or process in which TI components or services are used. Information published by TI regarding third-party products or services does not constitute a license to use such products or services or a warranty or endorsement thereof. Use of such information may require a license from a third party under the patents or other intellectual property of the third party, or a license from TI under the patents or other intellectual property of TI.

Reproduction of significant portions of TI information in TI data books or data sheets is permissible only if reproduction is without alteration and is accompanied by all associated warranties, conditions, limitations, and notices. TI is not responsible or liable for such altered documentation. Information of third parties may be subject to additional restrictions.

Resale of TI components or services with statements different from or beyond the parameters stated by TI for that component or service voids all express and any implied warranties for the associated TI component or service and is an unfair and deceptive business practice. TI is not responsible or liable for any such statements.

Buyer acknowledges and agrees that it is solely responsible for compliance with all legal, regulatory and safety-related requirements concerning its products, and any use of TI components in its applications, notwithstanding any applications-related information or support that may be provided by TI. Buyer represents and agrees that it has all the necessary expertise to create and implement safeguards which anticipate dangerous consequences of failures, monitor failures and their consequences, lessen the likelihood of failures that might cause harm and take appropriate remedial actions. Buyer will fully indemnify TI and its representatives against any damages arising out of the use of any TI components in safety-critical applications.

In some cases, TI components may be promoted specifically to facilitate safety-related applications. With such components, TI's goal is to help enable customers to design and create their own end-product solutions that meet applicable functional safety standards and requirements. Nonetheless, such components are subject to these terms.

No TI components are authorized for use in FDA Class III (or similar life-critical medical equipment) unless authorized officers of the parties have executed a special agreement specifically governing such use.

Only those TI components which TI has specifically designated as military grade or "enhanced plastic" are designed and intended for use in military/aerospace applications or environments. Buyer acknowledges and agrees that any military or aerospace use of TI components which have **not** been so designated is solely at the Buyer's risk, and that Buyer is solely responsible for compliance with all legal and regulatory requirements in connection with such use.

TI has specifically designated certain components as meeting ISO/TS16949 requirements, mainly for automotive use. In any case of use of non-designated products, TI will not be responsible for any failure to meet ISO/TS16949.

Products

Audio	www.ti.com/audio
Amplifiers	amplifier.ti.com
Data Converters	dataconverter.ti.com
DLP® Products	www.dlp.com
DSP	dsp.ti.com
Clocks and Timers	www.ti.com/clocks
Interface	interface.ti.com
Logic	logic.ti.com
Power Mgmt	power.ti.com
Microcontrollers	microcontroller.ti.com
RFID	www.ti-rfid.com
OMAP Applications Processors	www.ti.com/omap
Wireless Connectivity	www.ti.com/wirelessconnectivity

Applications

Automotive and Transportation	www.ti.com/automotive
Communications and Telecom	www.ti.com/communications
Computers and Peripherals	www.ti.com/computers
Consumer Electronics	www.ti.com/consumer-apps
Energy and Lighting	www.ti.com/energy
Industrial	www.ti.com/industrial
Medical	www.ti.com/medical
Security	www.ti.com/security
Space, Avionics and Defense	www.ti.com/space-avionics-defense
Video and Imaging	www.ti.com/video

TI E2E Community

e2e.ti.com