

Current Monitoring With Positive and Negative Currents on LM5177x Devices



Stefan Schauer

Introduction

The LM5177, LM51770, and LM51772 are asynchronous buck-boost controllers, which offer current monitoring features with a current sense resistor connected to the ISNSP and ISNSN pins. With the current monitor feature, a control system, such as a uController, measures the current into the application or from the supply and use this information for additional functions, such as observing and sending warn signals to a host system, or adding an additional control loop.

Depending on the device, the sensed current is represented as an *easy to measure* voltage on the IMONOUT, or the CDC pin of the device.

The integrated transconductance amplifier converts the voltage measured on the sense resistor into a proportional current provided on the IMONOUT or CDC pin. With the attached resistor, this signal is transformed into voltage which is measured with an ADC and processed by a uController.

The integrated transconductance amplifier works in both directions, providing positive and negative current signals. For negative output current, a bias voltage need to be supplied on the IMONOUT or CDC pin, instead of a resistor to the AGND. This bias signal is generated by using the VCC signal, VCC2 signal, or a Reference Voltage, such as a uController.

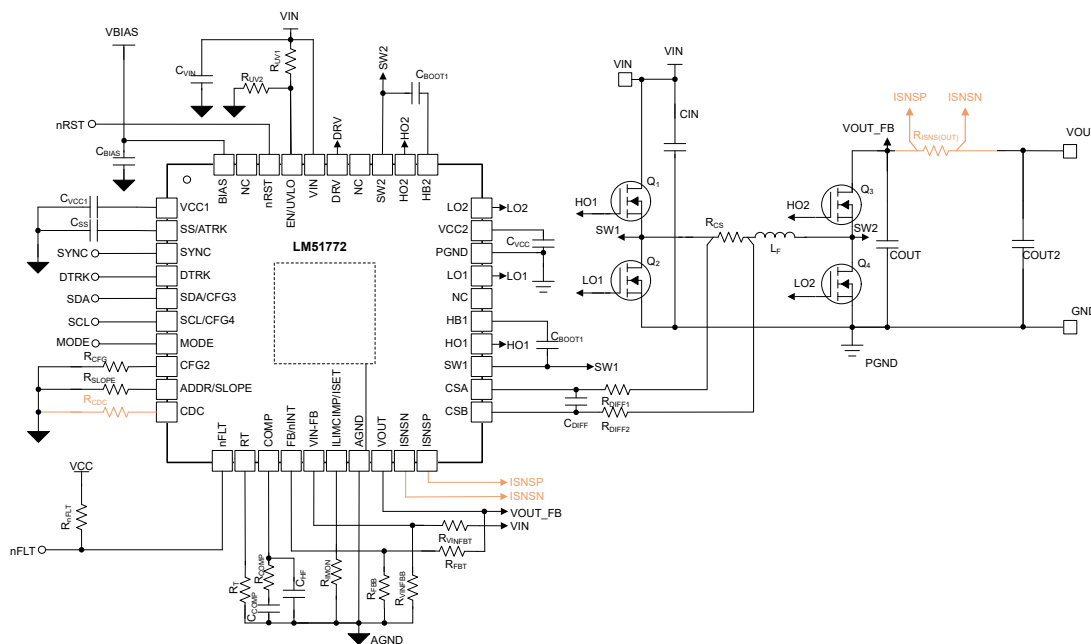


Figure 1. Block Diagram Showing Application of the LM51772 to Output the Current Monitor Signal

Figure 2 and Figure 3 show the connection of the resistor divider on the current monitor output. In Figure 3 the VCC of the controller is used as reference voltage but R_{IMON1} can also connect to a reference voltage, such as from the uController, if higher accuracy is required.

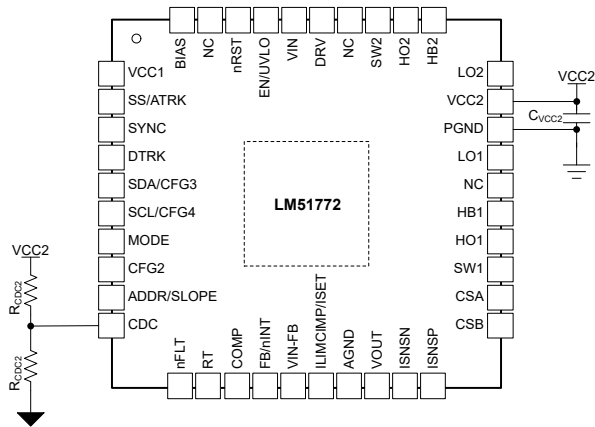


Figure 2. Using CDC on LM51772 to Output Current Monitor Signal

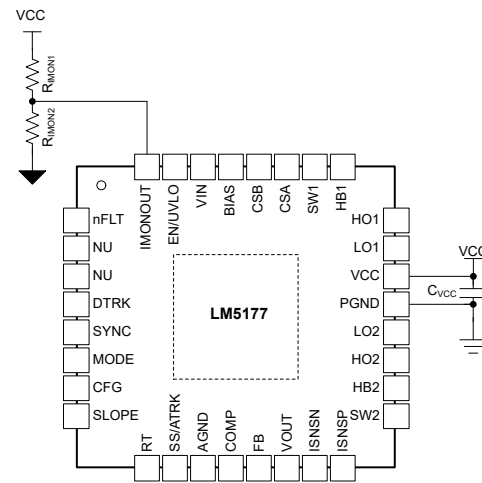


Figure 3. Using IMONOUT on LM5177 to Output Current Monitor Signal

Calculation of the R_{IMONx} Resistor

The corresponding monitor output voltage is calculated with [Equation 1](#) or [Equation 2](#).

$$V_{IMON} = \frac{R_{IMON2} \times V_{CC} - I_{IMON,OUT} \times R_{IMON1} \times R_{IMON2}}{R_{IMON1} + R_{IMON2}} \quad (1)$$

With:

$$R_{IMON1} = R_{IMON2} \quad (2)$$

$$I_{IMON,OUT} = (V_{ISNSP} - V_{ISNSN}) \times g_{m,CDC} \quad (3)$$

$$I_{IMON,OUT} = I_{RSNS} \times R_{SNS} \times g_{m,CDC} \quad (4)$$

[Equation 1](#) results in:

$$V_{IMON} = \frac{V_{CC} - (I_{RSNS} \times R_{SNS} \times g_{m,CDC}) \times R_{IMON2}}{2} \quad (5)$$

Measurement Results

Figure 4 shows the output of the IMONOUT signal related to the positive and negative output current. In Figure 4, a voltage of 2.4V corresponds to 0A output current.

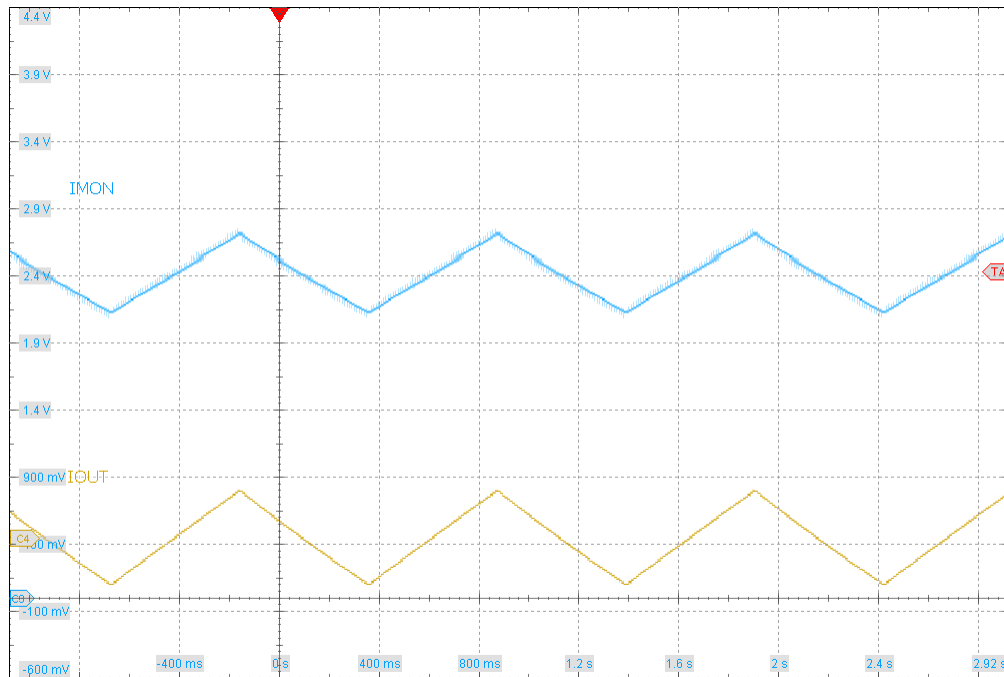


Figure 4. Scope Plot Showing Output Current and Current Monitor Signals

Trademarks

All trademarks are the property of their respective owners.

IMPORTANT NOTICE AND DISCLAIMER

TI PROVIDES TECHNICAL AND RELIABILITY DATA (INCLUDING DATA SHEETS), DESIGN RESOURCES (INCLUDING REFERENCE DESIGNS), APPLICATION OR OTHER DESIGN ADVICE, WEB TOOLS, SAFETY INFORMATION, AND OTHER RESOURCES "AS IS" AND WITH ALL FAULTS, AND DISCLAIMS ALL WARRANTIES, EXPRESS AND IMPLIED, INCLUDING WITHOUT LIMITATION ANY IMPLIED WARRANTIES OF MERCHANTABILITY, FITNESS FOR A PARTICULAR PURPOSE OR NON-INFRINGEMENT OF THIRD PARTY INTELLECTUAL PROPERTY RIGHTS.

These resources are intended for skilled developers designing with TI products. You are solely responsible for (1) selecting the appropriate TI products for your application, (2) designing, validating and testing your application, and (3) ensuring your application meets applicable standards, and any other safety, security, regulatory or other requirements.

These resources are subject to change without notice. TI grants you permission to use these resources only for development of an application that uses the TI products described in the resource. Other reproduction and display of these resources is prohibited. No license is granted to any other TI intellectual property right or to any third party intellectual property right. TI disclaims responsibility for, and you will fully indemnify TI and its representatives against, any claims, damages, costs, losses, and liabilities arising out of your use of these resources.

TI's products are provided subject to [TI's Terms of Sale](#) or other applicable terms available either on [ti.com](https://www.ti.com) or provided in conjunction with such TI products. TI's provision of these resources does not expand or otherwise alter TI's applicable warranties or warranty disclaimers for TI products.

TI objects to and rejects any additional or different terms you may have proposed.

Mailing Address: Texas Instruments, Post Office Box 655303, Dallas, Texas 75265
Copyright © 2024, Texas Instruments Incorporated