
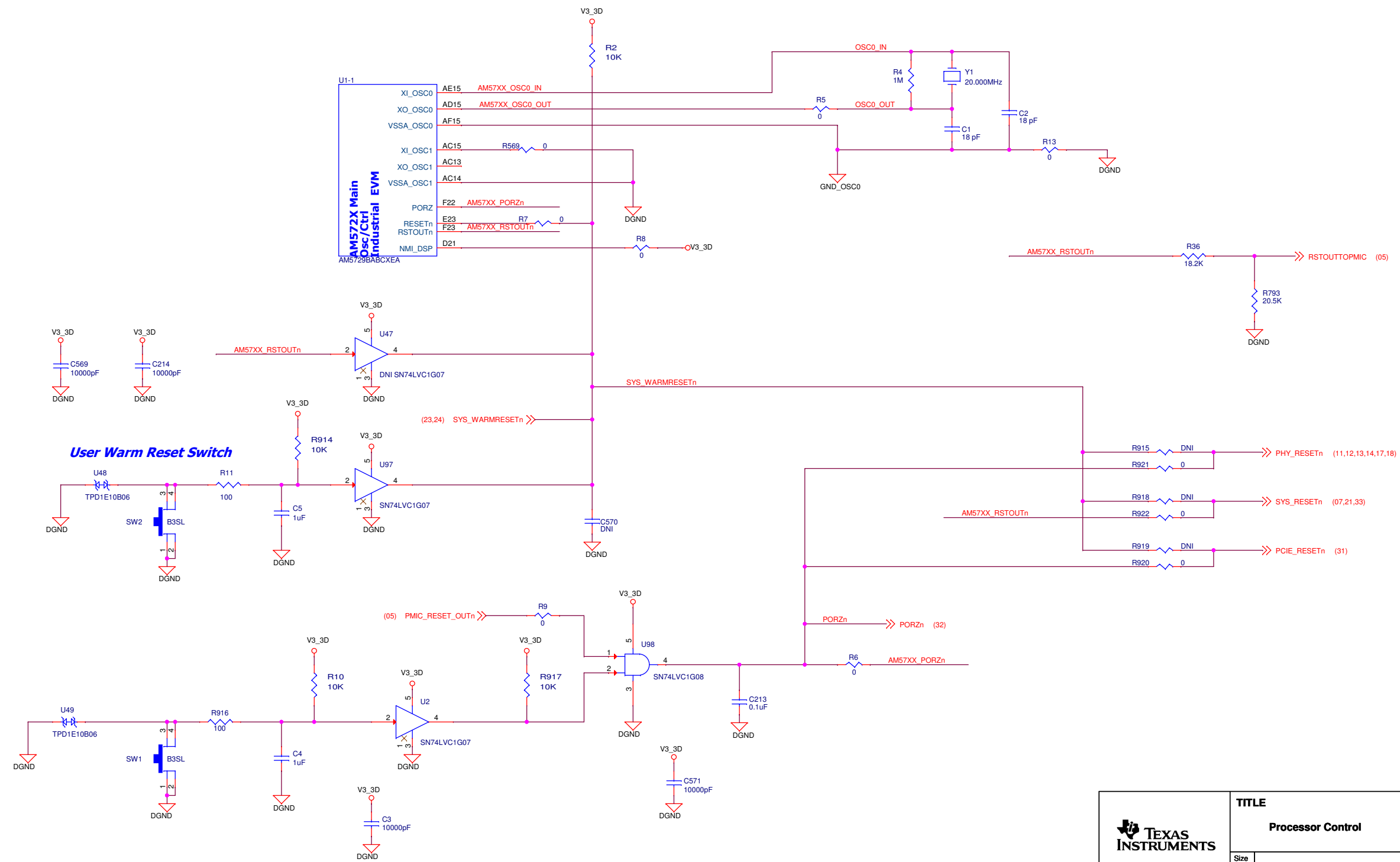
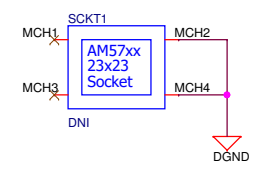
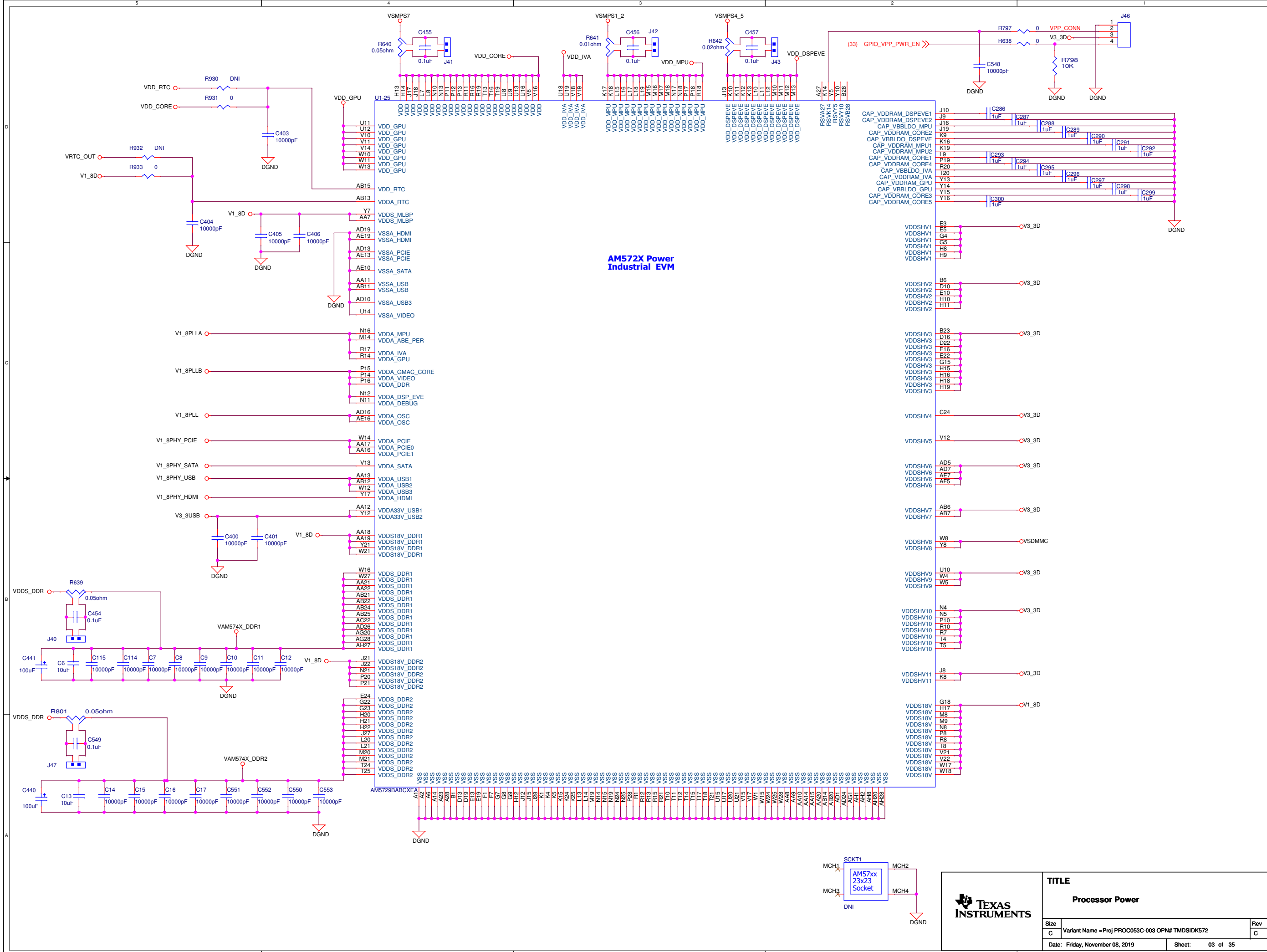


AM572x Industrial Development Kit

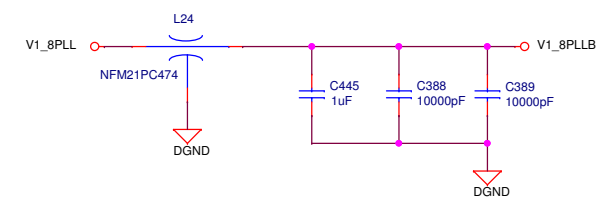
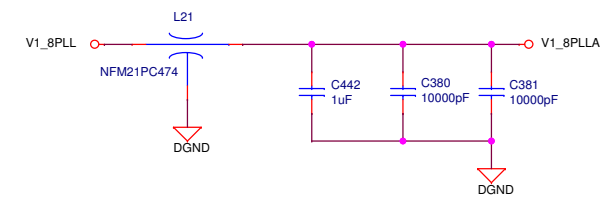
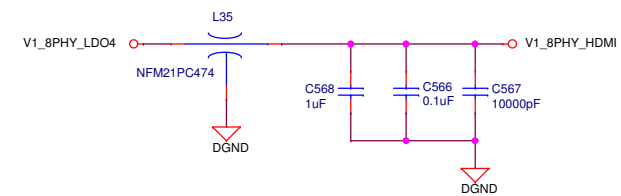
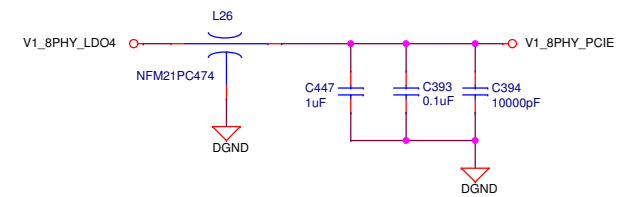
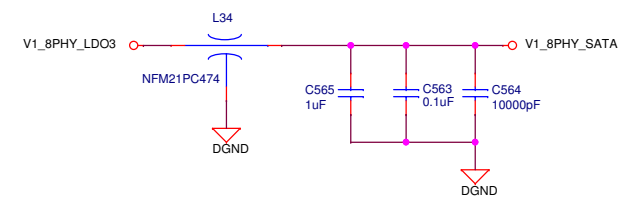
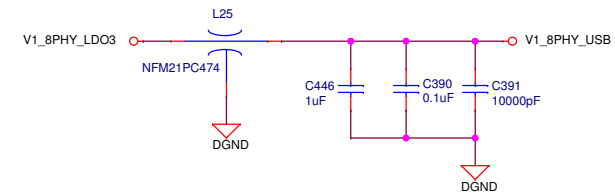
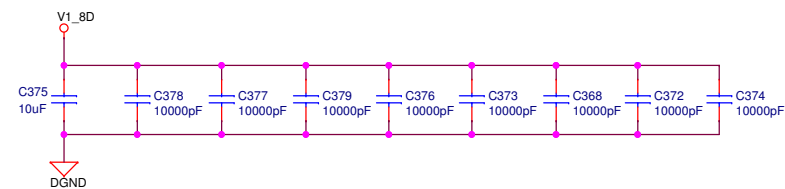
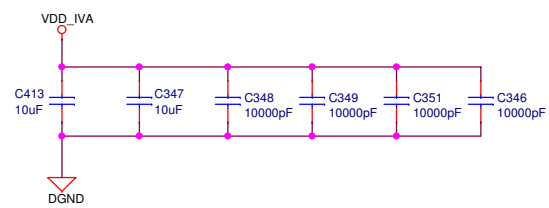
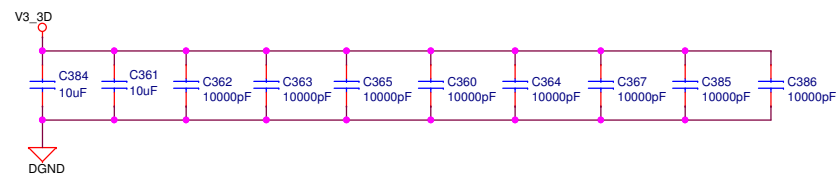
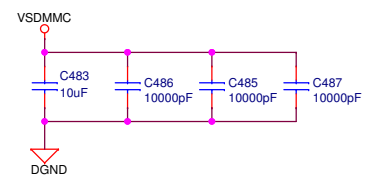
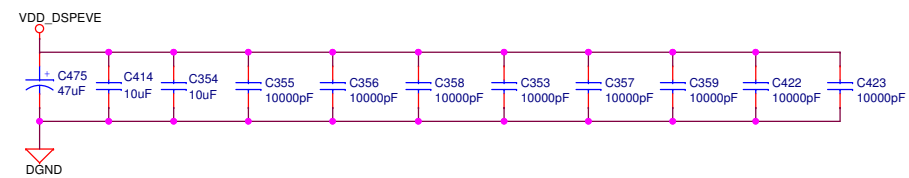
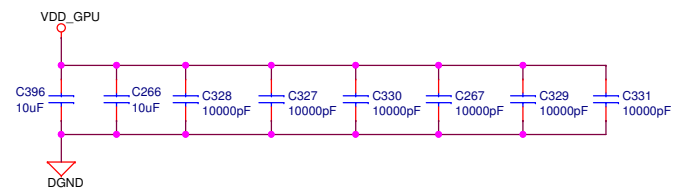
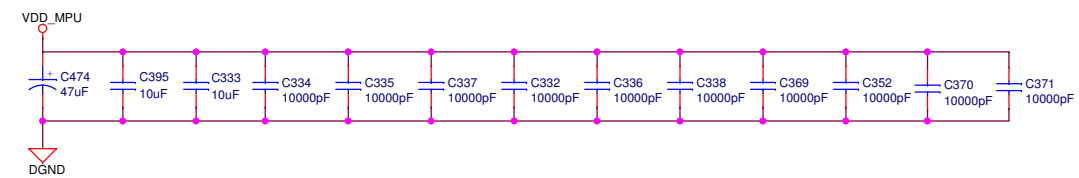
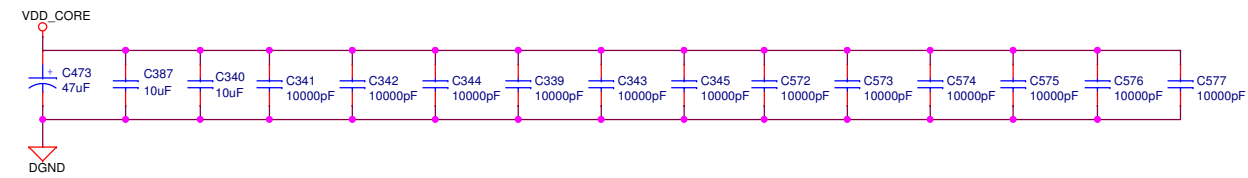
	TITLE	
	TMDXIDK572X	
	Size	Rev
C	Variant Name - Proj PROC053C-003 OPN# TMDSIDK572	C
Date: Friday, November 08, 2019		Sheet: 01 of 35



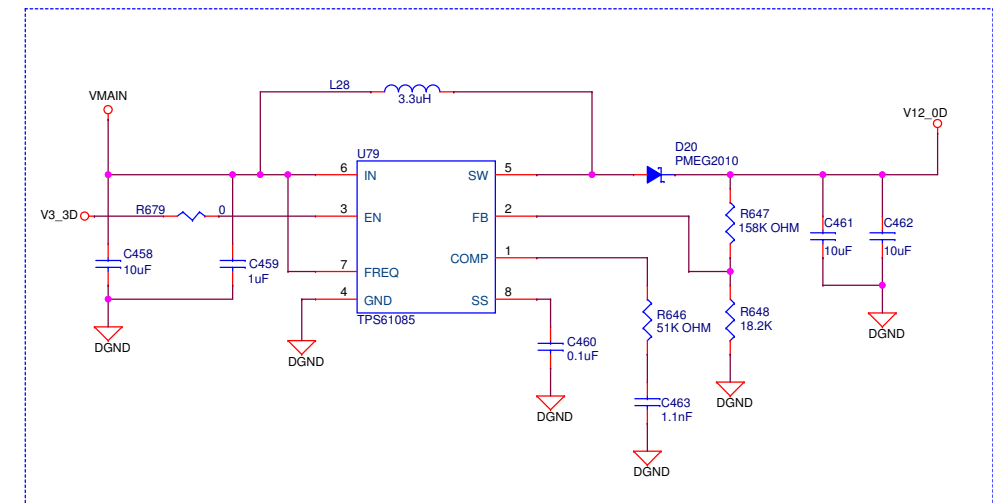
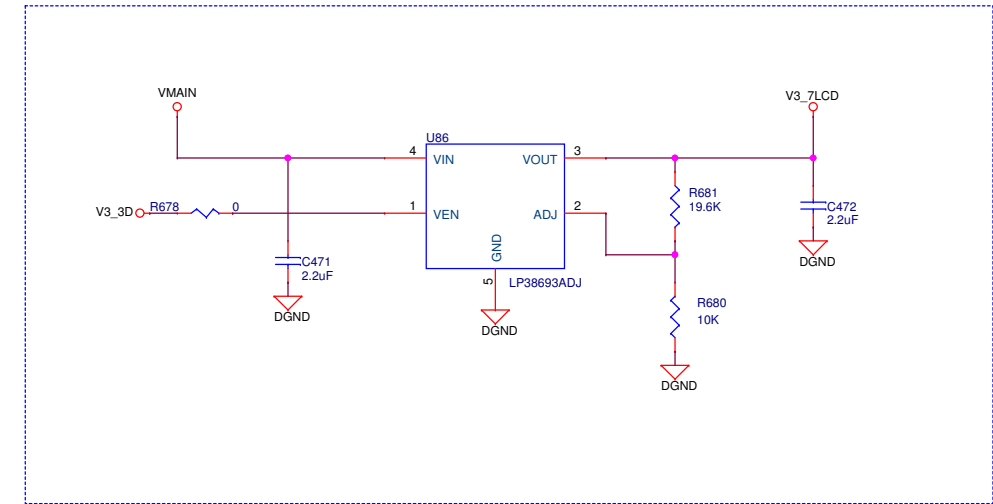
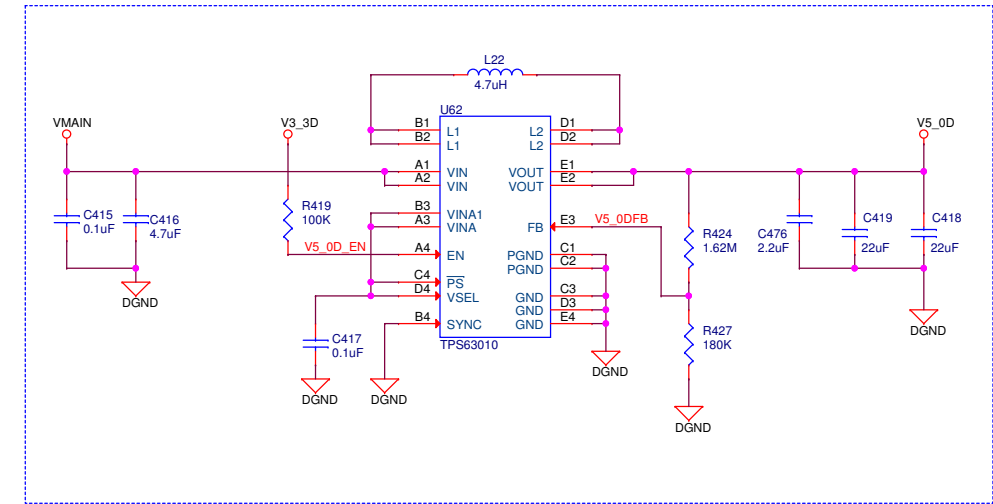
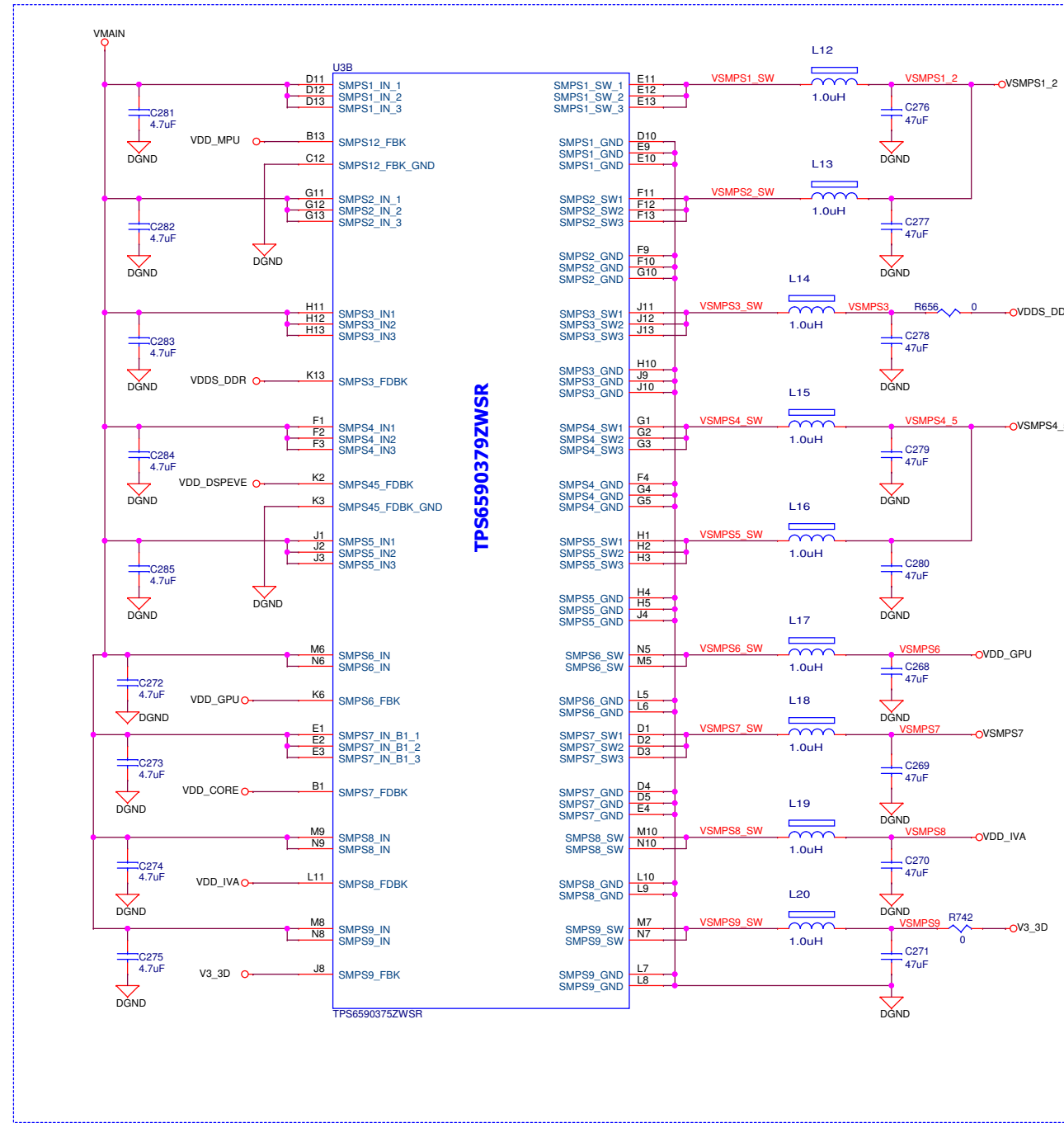
		TITLE	
		Processor Control	
Size	Variant Name - Proj PROC053C-003 OPN# TMSIDK572	Rev	
C		C	
Date: Friday, November 08, 2019	Sheet: 02 of 35		



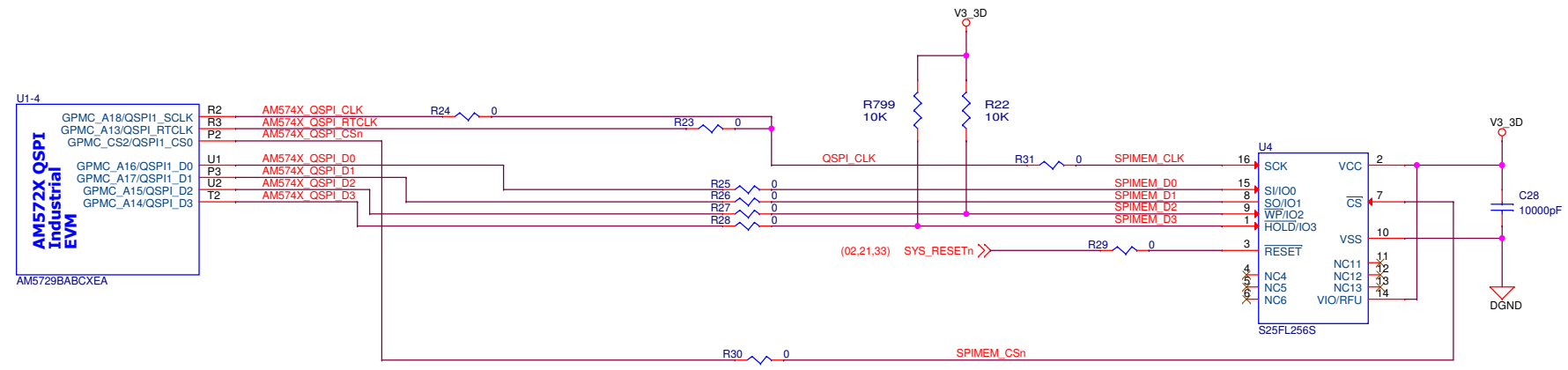
		TITLE	
		Processor Power	
Size C	Variant Name - Proj PROC053C-003 OPN# TMSIDK572	Rev C	
Date: Friday, November 08, 2019	Sheet:	03 of 35	



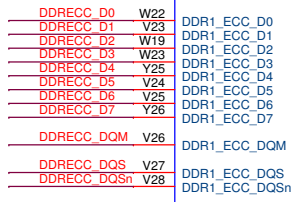
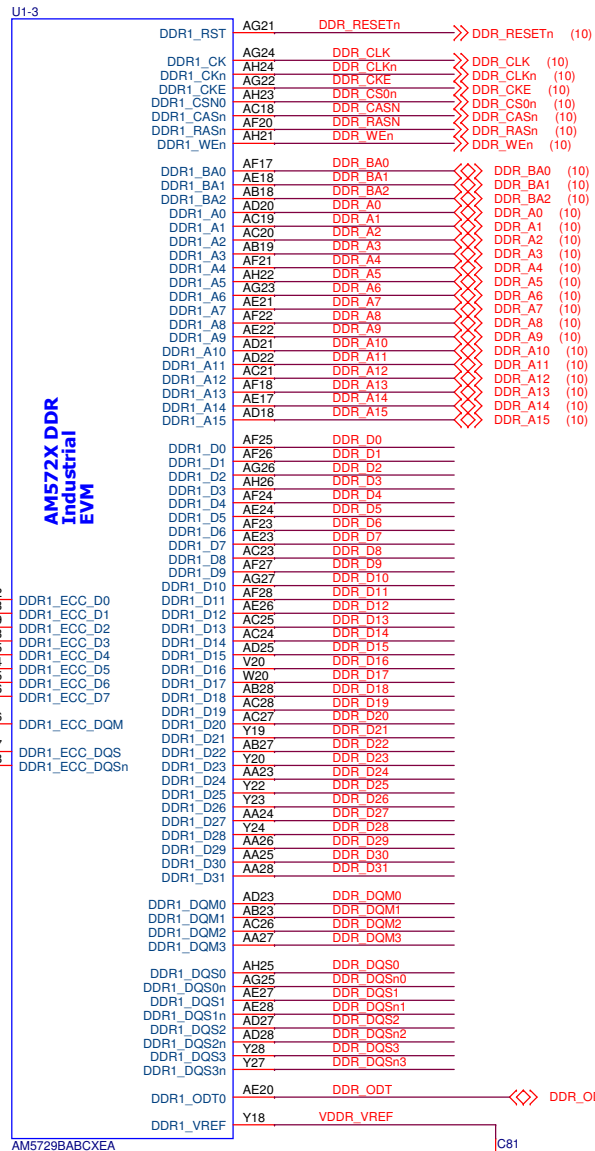
	TITLE								
	Processor Power								
	<table border="1"> <tr> <td>Size</td> <td>Variant Name - Proj PROC053C-003 OPN# TMSIDK572</td> <td>Rev</td> </tr> <tr> <td>C</td> <td></td> <td>C</td> </tr> </table>	Size	Variant Name - Proj PROC053C-003 OPN# TMSIDK572	Rev	C		C	<table border="1"> <tr> <td>Date: Friday, November 08, 2019</td> <td>Sheet: 04 of 35</td> </tr> </table>	Date: Friday, November 08, 2019
Size	Variant Name - Proj PROC053C-003 OPN# TMSIDK572	Rev							
C		C							
Date: Friday, November 08, 2019	Sheet: 04 of 35								



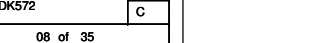
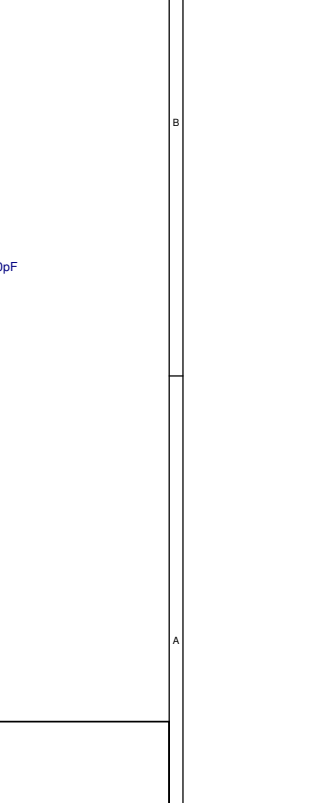
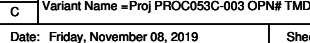
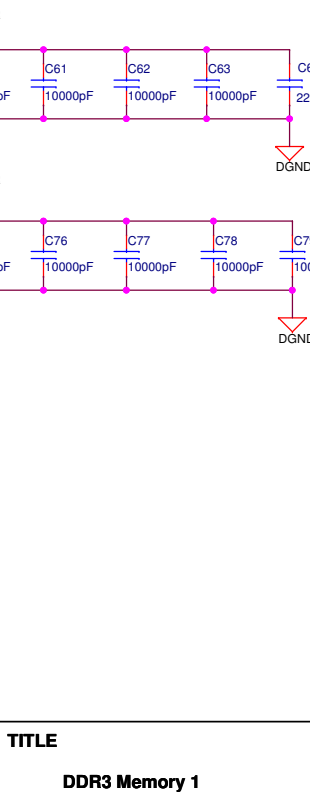
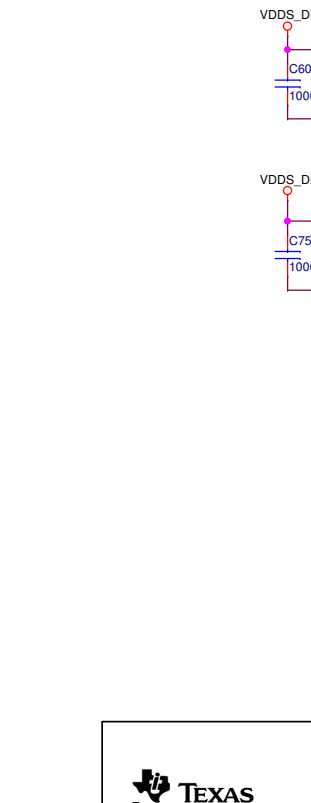
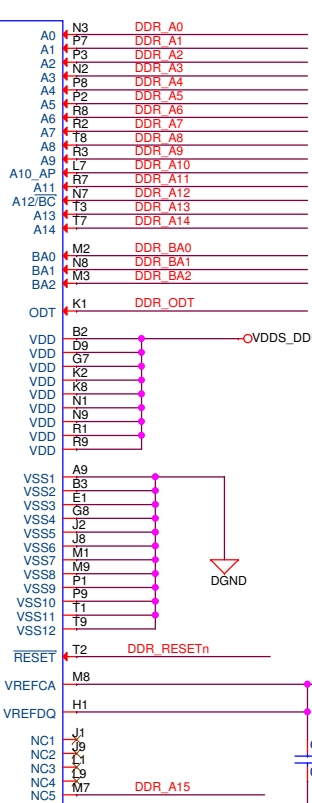
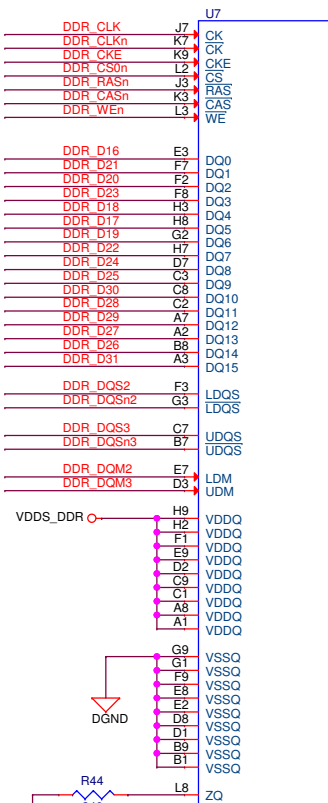
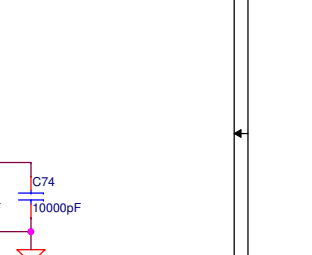
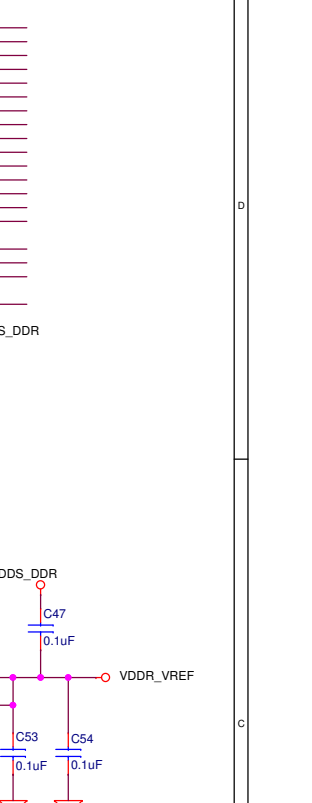
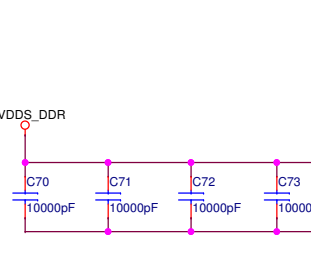
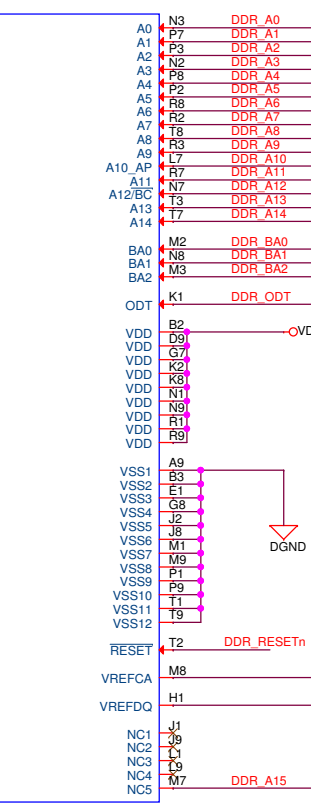
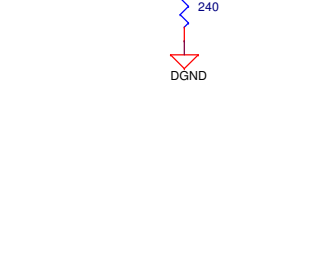
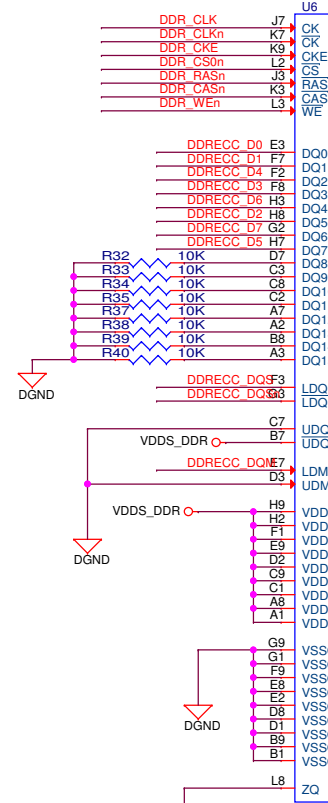
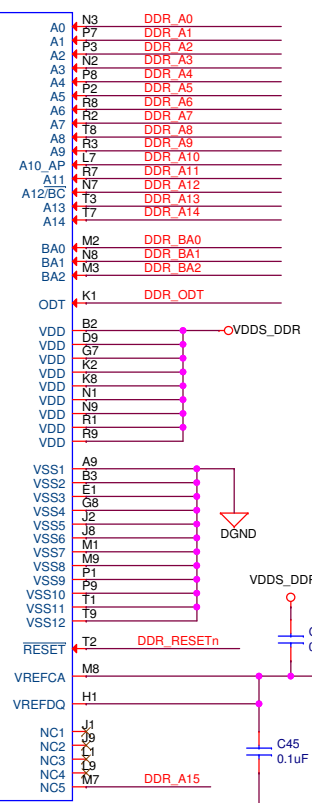
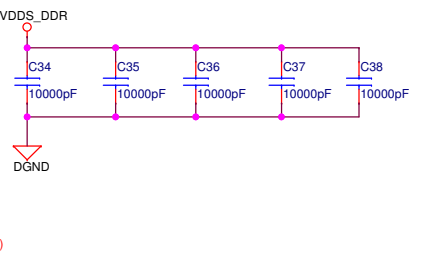
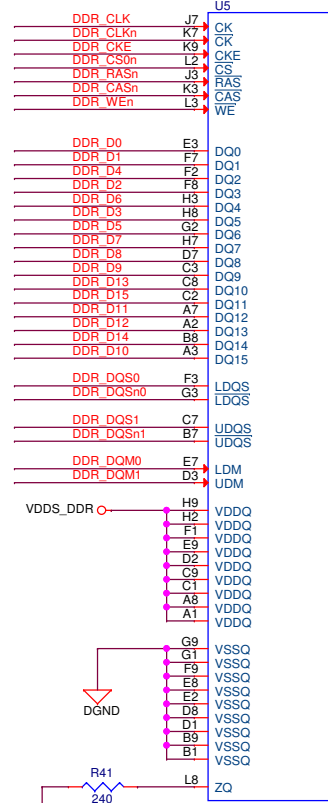
		TITLE	
		Power	
Size	C	Variant Name - Proj	PROC053C-003 OPN# TMSIDK572
Date:	Friday, November 08, 2019	Sheet:	06 of 35



		TITLE	
		QSPI NOR Flash Memory	
Size	Variant Name - Proj PROC053C-003 OPN# TMSIDK572	Rev	
C		C	
Date: Friday, November 08, 2019	Sheet:	07 of 35	



Note that ECC use is highly constrained - please refer to the AM574x Errata document for more information



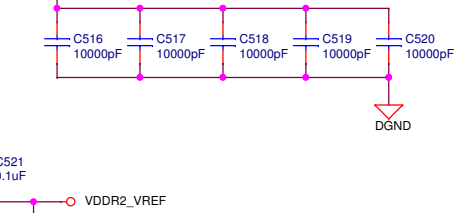
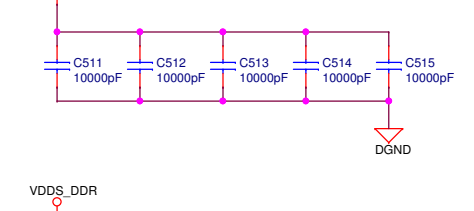
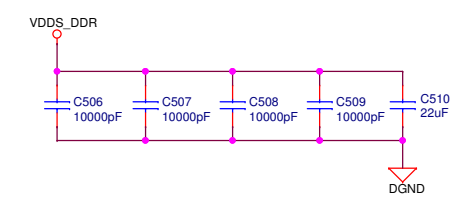
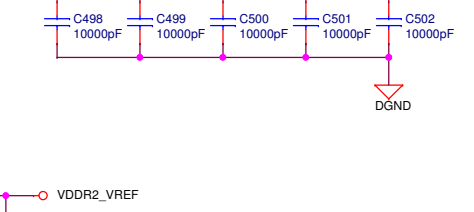
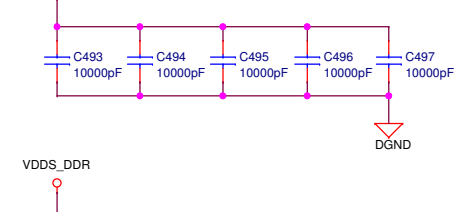
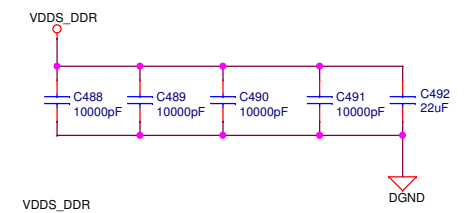
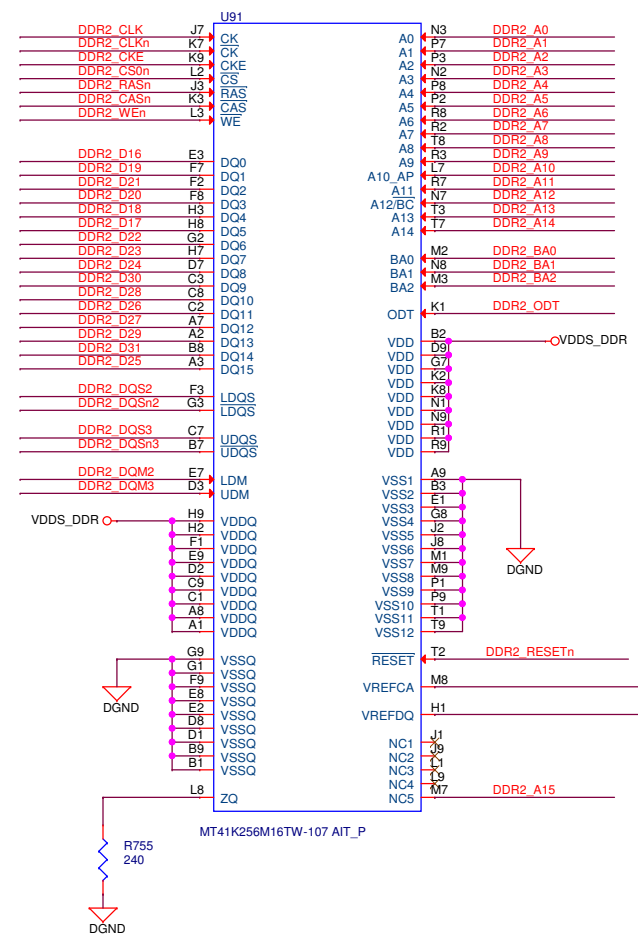
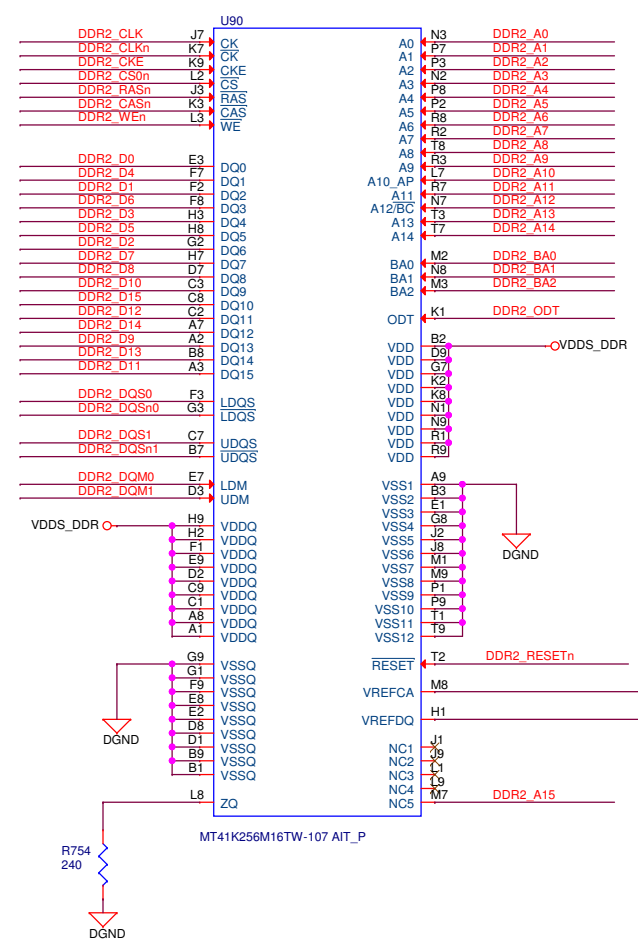
		TITLE	
		DDR3 Memory 1	
Size	Variant Name - Proj PROC053C-003 OPN# TMSIDK572	Rev	
C		C	
Date:	Friday, November 08, 2019	Sheet:	08 of 35

AM572X DDR #2 Industrial EVM

U1-26

AM5729BABCXE

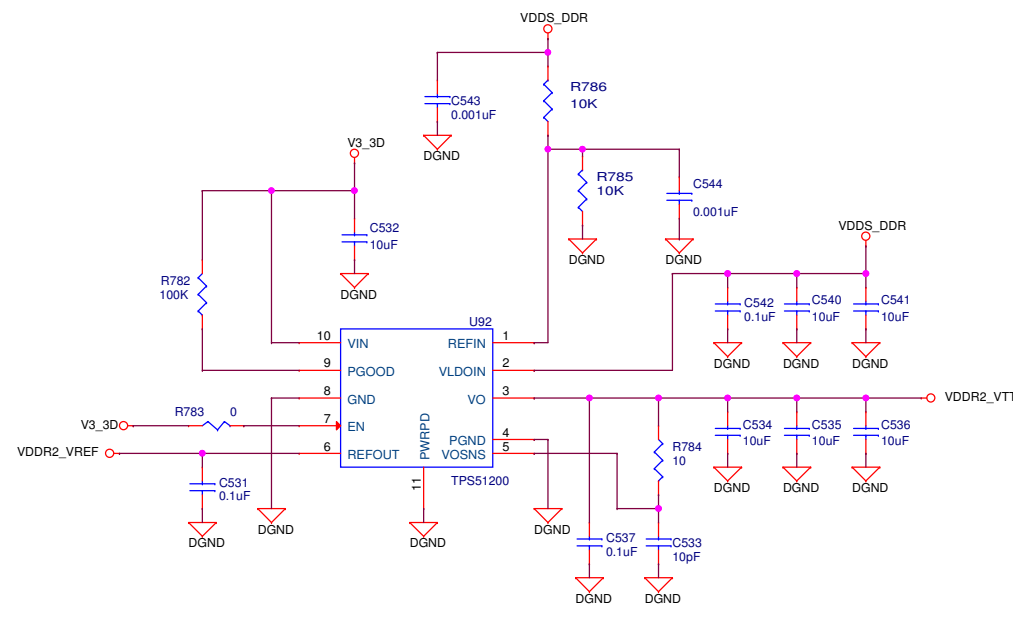
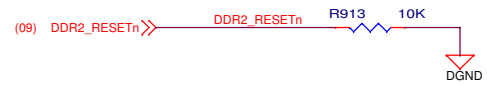
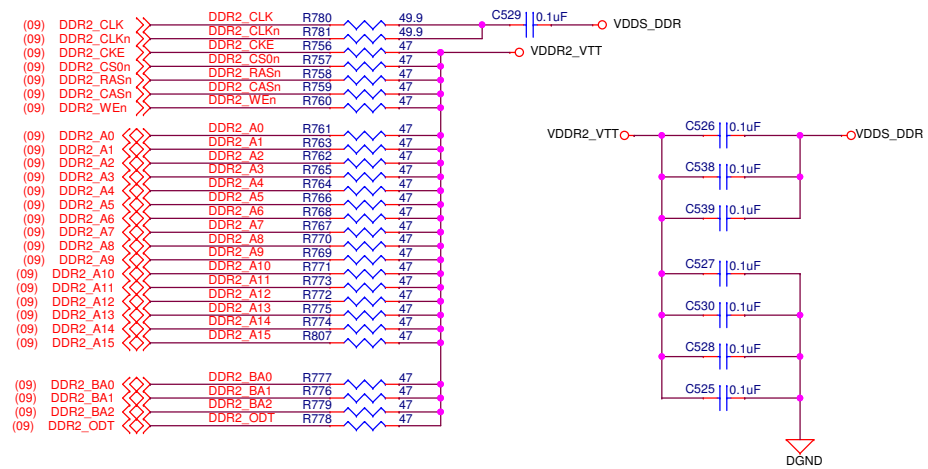
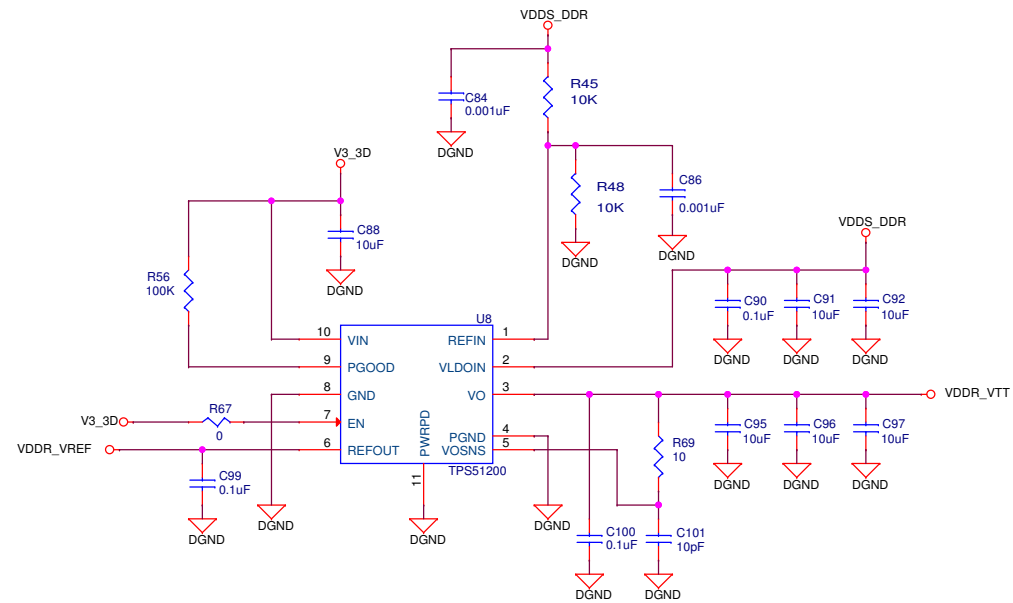
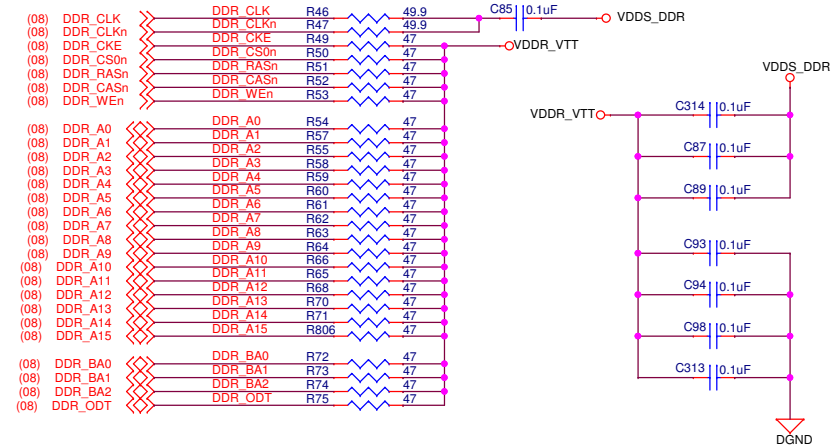
DDR2_RST	R24	DDR2_RESETh	DDR2_RESETh (10)
DDR2_Ck	T28	DDR2_CLK	DDR2_CLK (10)
DDR2_CkN	T27	DDR2_CLKn	DDR2_CLKn (10)
DDR2_CKE	U24	DDR2_CKE	DDR2_CKE (10)
DDR2_CS0n	U28	DDR2_CASn	DDR2_CS0n (10)
DDR2_CASn	T23	DDR2_RASn	DDR2_CASn (10)
DDR2_RASn	U25	DDR2_WEn	DDR2_RASn (10)
DDR2_WEn			DDR2_WEn (10)
DDR2_BA0	U27	DDR2_BA0	DDR2_BA0 (10)
DDR2_BA1	U26	DDR2_BA1	DDR2_BA1 (10)
DDR2_BA2	R25	DDR2_A0	DDR2_BA2 (10)
DDR2_A0	R26	DDR2_A1	DDR2_A0 (10)
DDR2_A2	R28	DDR2_A2	DDR2_A2 (10)
DDR2_A3	R27	DDR2_A3	DDR2_A1 (10)
DDR2_A4	P22	DDR2_A5	DDR2_A4 (10)
DDR2_A5	P25	DDR2_A6	DDR2_A5 (10)
DDR2_A6	N20	DDR2_A7	DDR2_A6 (10)
DDR2_A7	P27	DDR2_A8	DDR2_A7 (10)
DDR2_A8	N27	DDR2_A9	DDR2_A8 (10)
DDR2_A9	N23	DDR2_A10	DDR2_A9 (10)
DDR2_A10	P26	DDR2_A11	DDR2_A10 (10)
DDR2_A11	N28	DDR2_A12	DDR2_A11 (10)
DDR2_A12	T22	DDR2_A13	DDR2_A12 (10)
DDR2_A13	R22	DDR2_A14	DDR2_A13 (10)
DDR2_A14	U22	DDR2_A15	DDR2_A14 (10)
DDR2_A15			DDR2_A15 (10)
DDR2_D0	E26	DDR2_D0	
DDR2_D1	G25	DDR2_D1	
DDR2_D2	F25	DDR2_D2	
DDR2_D3	F24	DDR2_D3	
DDR2_D4	F26	DDR2_D4	
DDR2_D5	E27	DDR2_D5	
DDR2_D6	E28	DDR2_D6	
DDR2_D7	H23	DDR2_D7	
DDR2_D8	H25	DDR2_D8	
DDR2_D9	H24	DDR2_D9	
DDR2_D10	H26	DDR2_D10	
DDR2_D11	G26	DDR2_D11	
DDR2_D12	J25	DDR2_D12	
DDR2_D13	J26	DDR2_D13	
DDR2_D14	J24	DDR2_D14	
DDR2_D15	L22	DDR2_D15	
DDR2_D16	L22	DDR2_D16	
DDR2_D17	K20	DDR2_D17	
DDR2_D18	K21	DDR2_D18	
DDR2_D19	L23	DDR2_D19	
DDR2_D20	L24	DDR2_D20	
DDR2_D21	J23	DDR2_D21	
DDR2_D22	K22	DDR2_D22	
DDR2_D23	J20	DDR2_D23	
DDR2_D24	L27	DDR2_D24	
DDR2_D25	L26	DDR2_D25	
DDR2_D26	L25	DDR2_D26	
DDR2_D27	M23	DDR2_D27	
DDR2_D28	M24	DDR2_D28	
DDR2_D29	M25	DDR2_D29	
DDR2_D30	M25	DDR2_D30	
DDR2_D31	M26	DDR2_D31	
DDR2_DQM0	F28	DDR2_DQM0	
DDR2_DQM1	G24	DDR2_DQM1	
DDR2_DQM2	K23	DDR2_DQM2	
DDR2_DQM3	M22	DDR2_DQM3	
DDR2_DQS0	G28	DDR2_DQS0	
DDR2_DQS0n	G27	DDR2_DQS0n	
DDR2_DQS1	H27	DDR2_DQS1	
DDR2_DQS1n	H28	DDR2_DQS1n	
DDR2_DQS2	K27	DDR2_DQS2	
DDR2_DQS2n	K28	DDR2_DQS2n	
DDR2_DQS3	M28	DDR2_DQS3	
DDR2_DQS3n	M27	DDR2_DQS3n	
DDR2_ODT0	R23	DDR2_ODT	DDR2_ODT (10)
DDR2_VREF	N22	VDDR2_VREF	



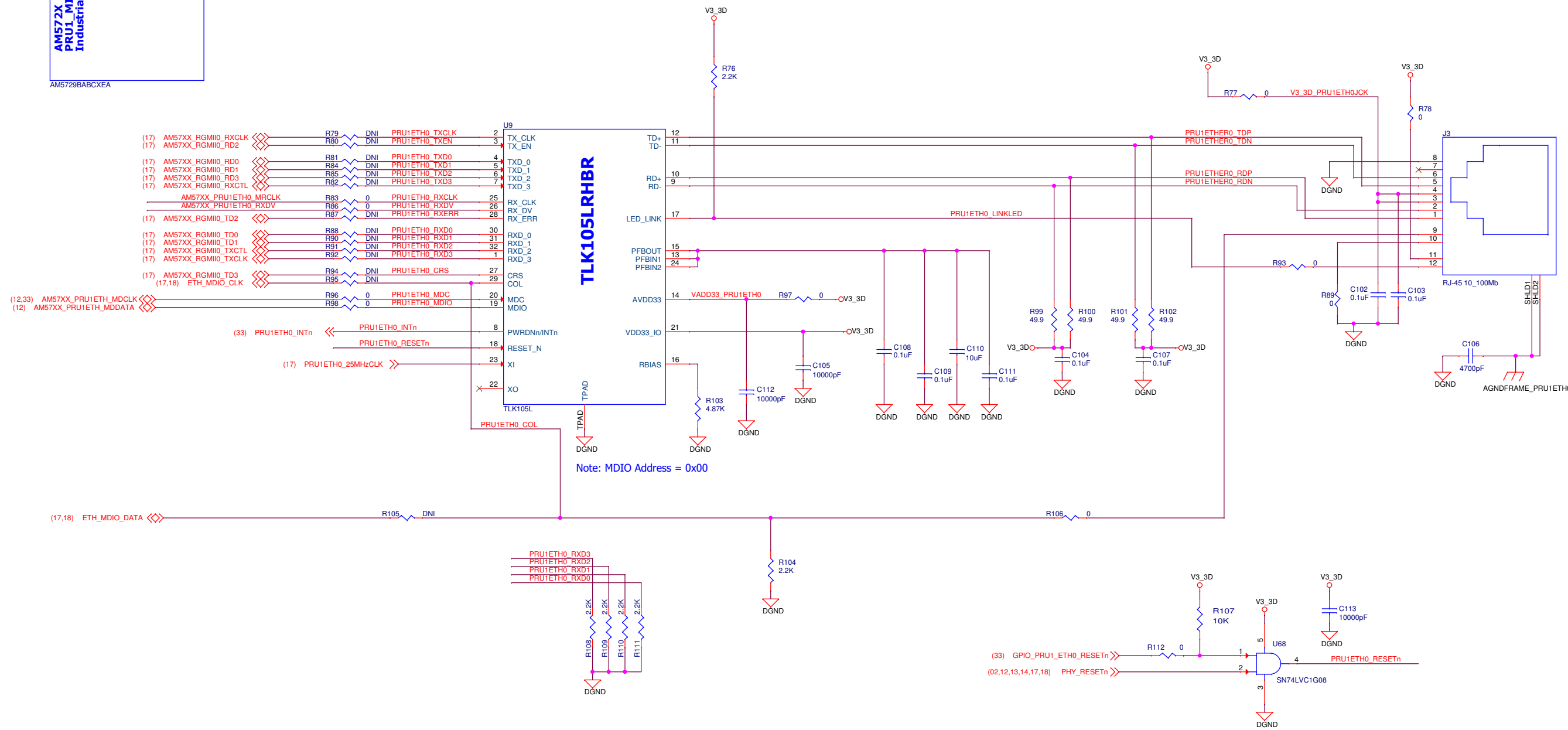
TEXAS INSTRUMENTS

TITLE
DDR3 Memory 2

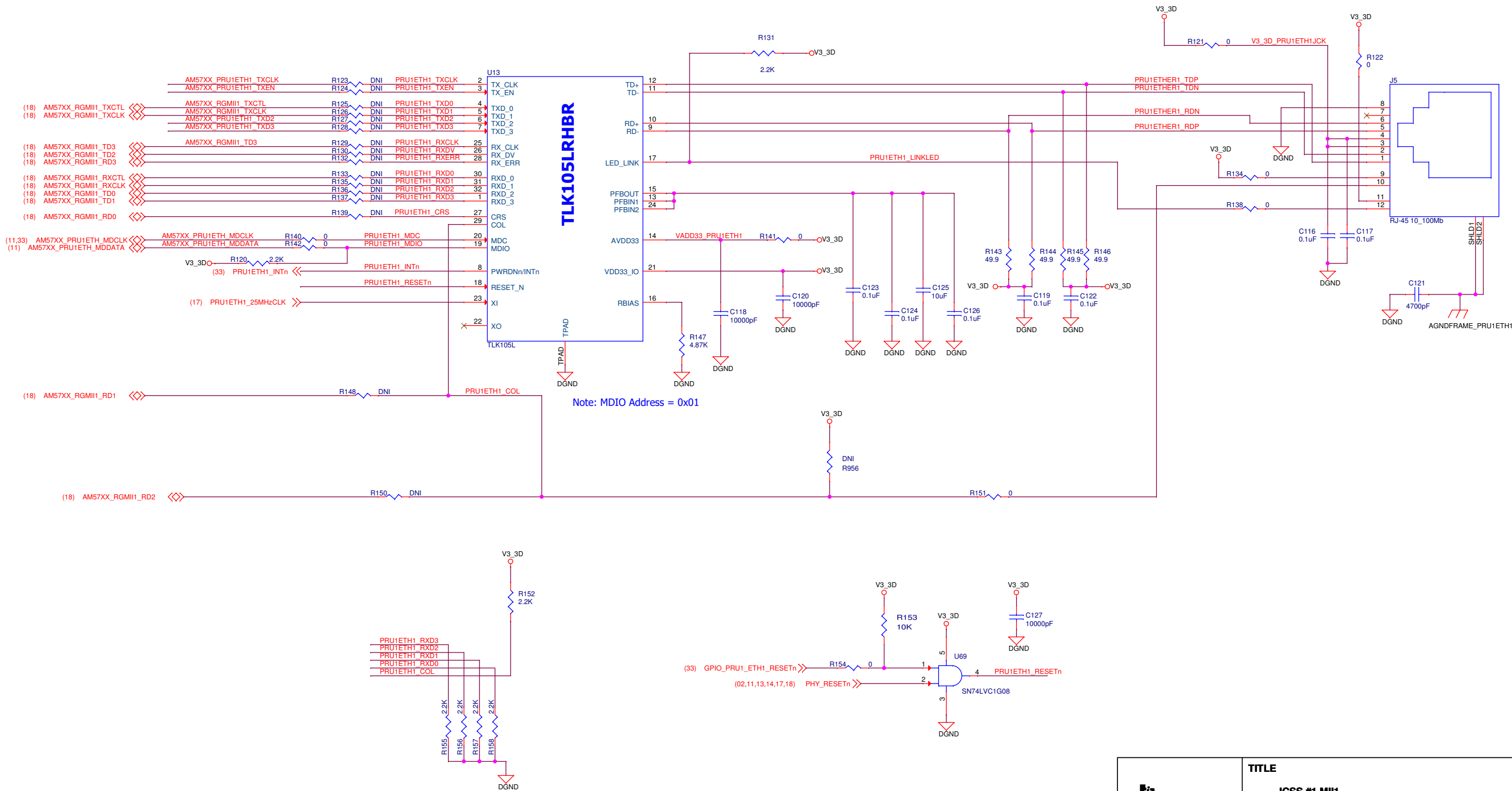
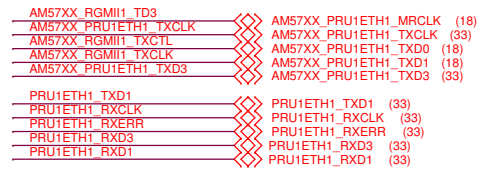
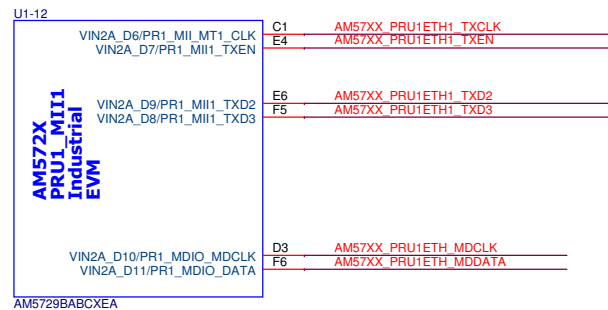
Size C	Variant Name - Proj PROC053C-003 OPN# TMSIDK572	Rev C
Date: Friday, November 08, 2019	Sheet: 09 of 35	



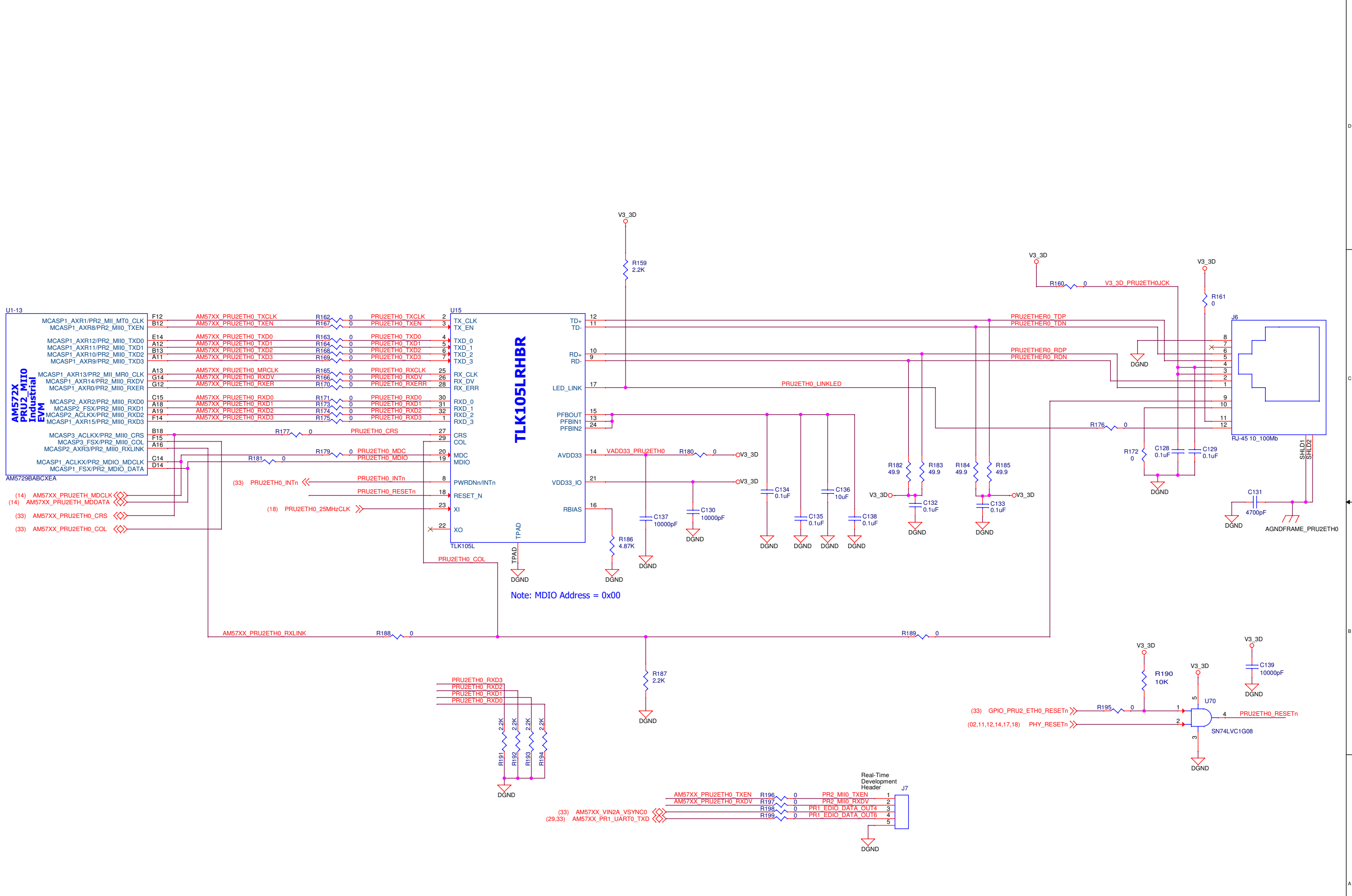
		TITLE	
		DDR3 VTT Termination	
Size	Variant Name - Proj PROC053C-003 OPN# TMSIDK572	Rev	
C		C	
Date: Friday, November 08, 2019	Sheet:	10 of 35	



		TITLE	
		ICSS #1 MII0	
Size	Variant Name - Proj PROC053C-003 OPN# TMSIDK572	Rev	C
C	Date: Friday, November 08, 2019	Sheet:	11 of 35

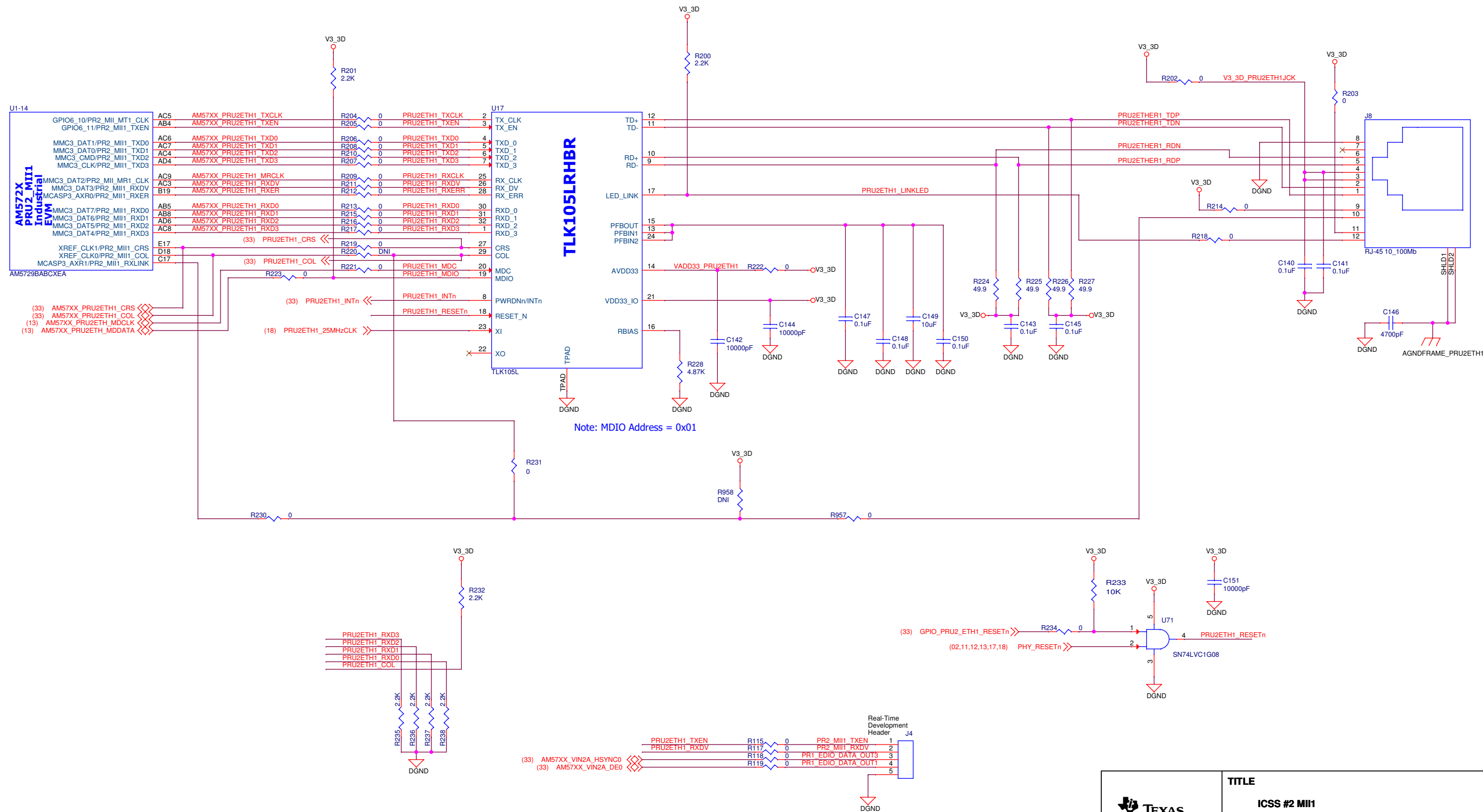


		TITLE	
		ICSS #1 MII1	
Size C	Variant Name - Proj PROC053C-003 OPN# TMSIDK572	Rev C	
Date: Friday, November 08, 2019	Sheet: 12 of 35		



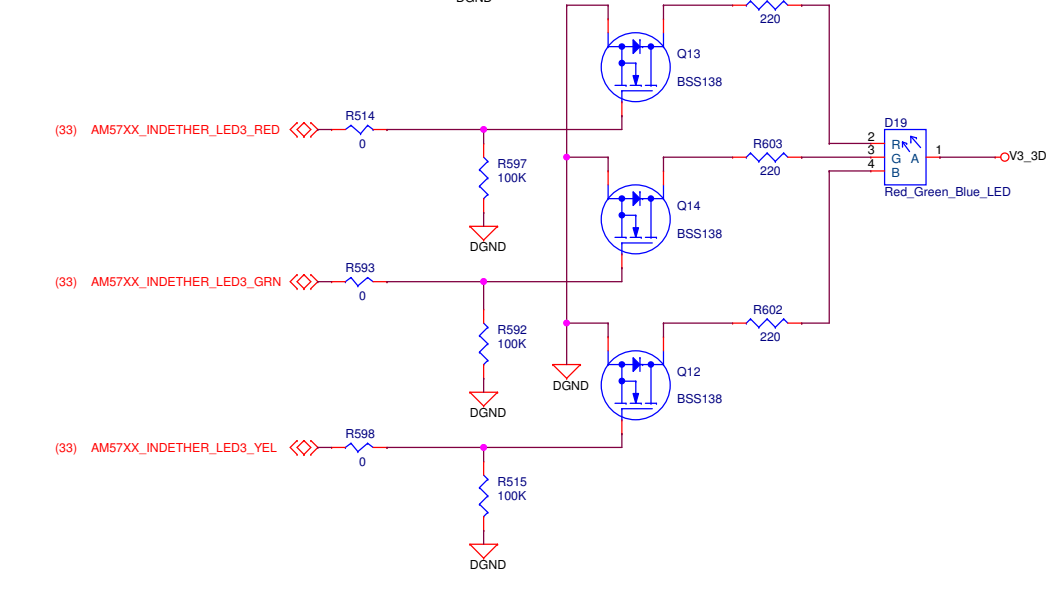
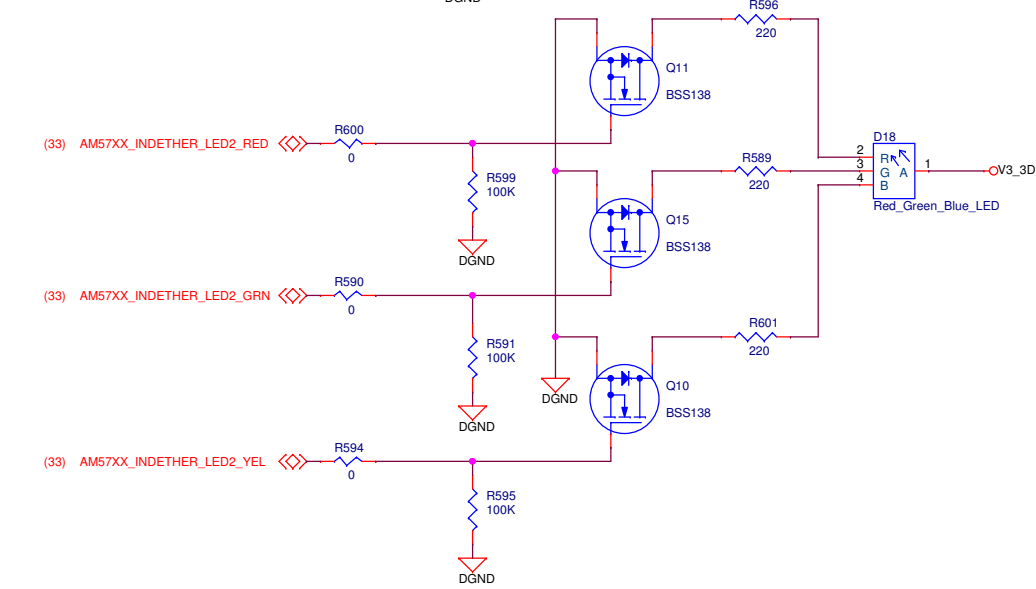
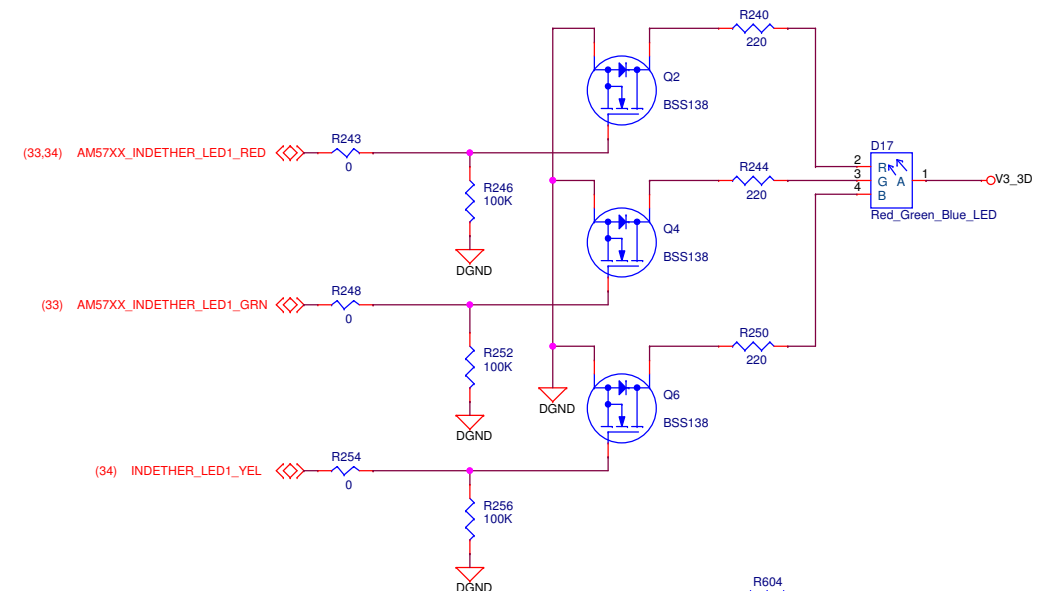
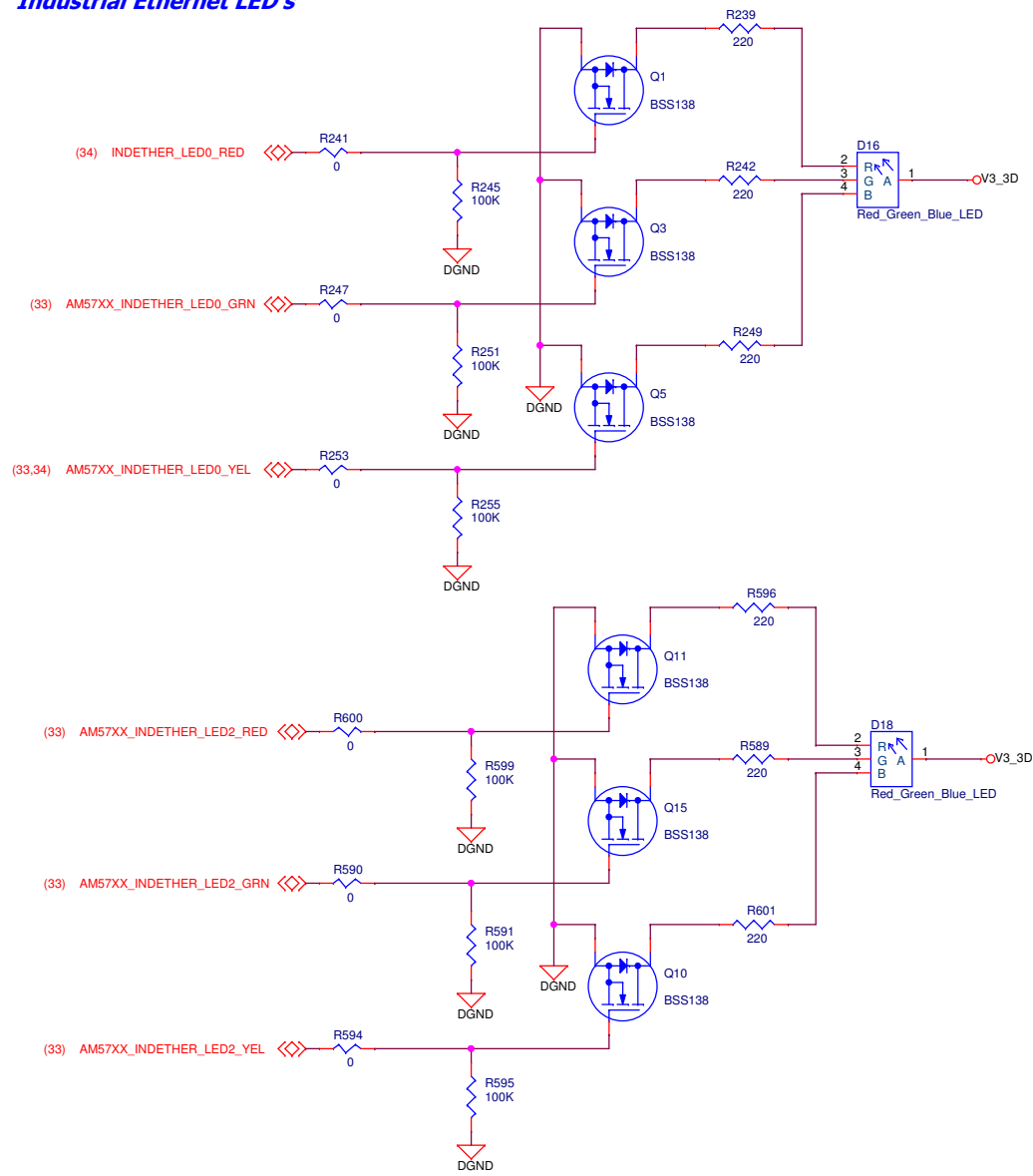
Note: MDIO Address = 0x00

	TITLE	
	ICSS #2 MII0	
Size	Variant Name - Proj PROC053C-003 OPN# TMSIDK572	Rev
C		C
Date: Friday, November 08, 2019	Sheet: 13 of 35	

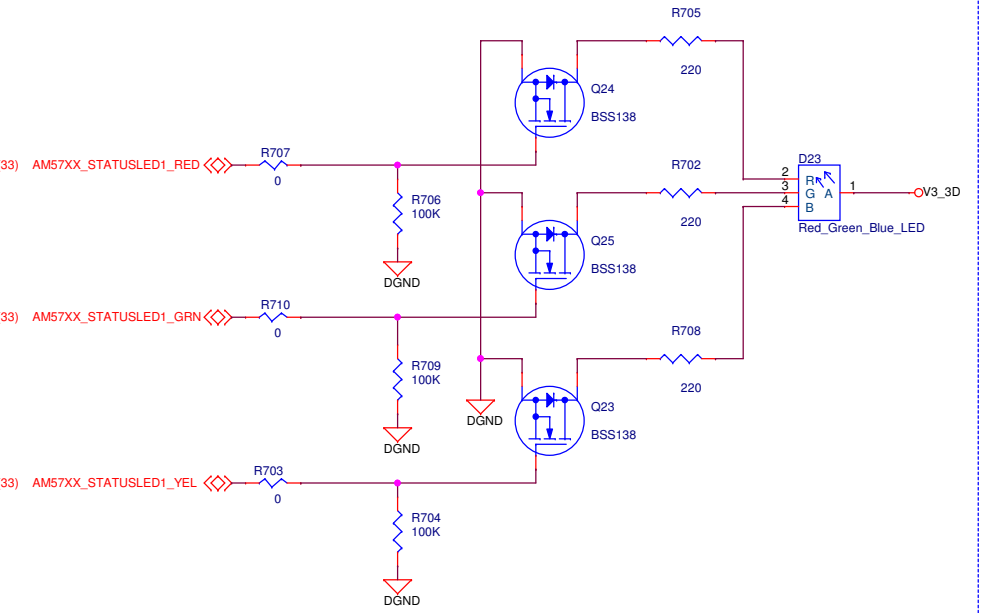
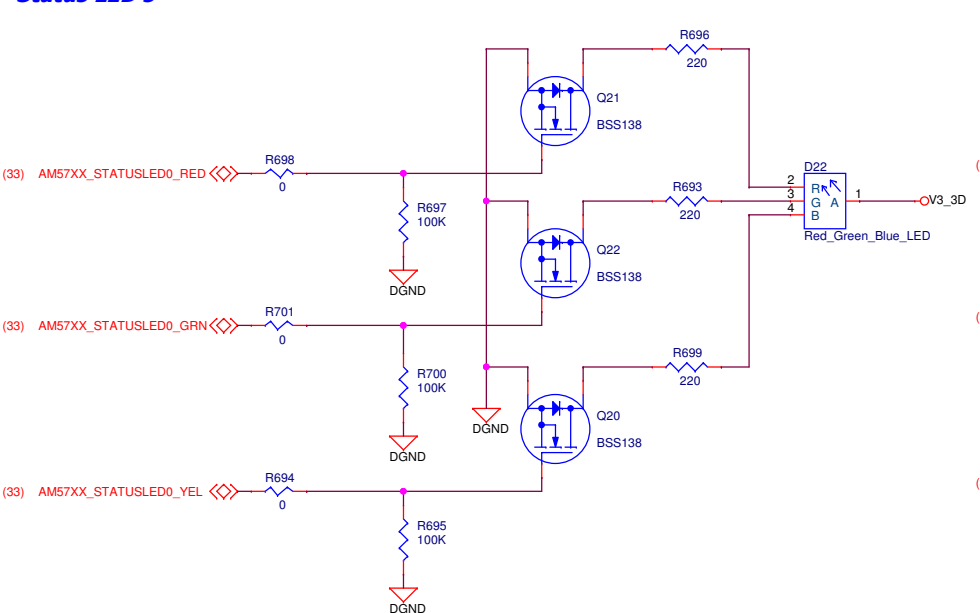


		TITLE	
		ICSS #2 MII1	
Size	Variant Name - Proj PROC053C-003 OPN# TMSIDK572	Rev	
C		C	
Date: Friday, November 08, 2019		Sheet:	14 of 35

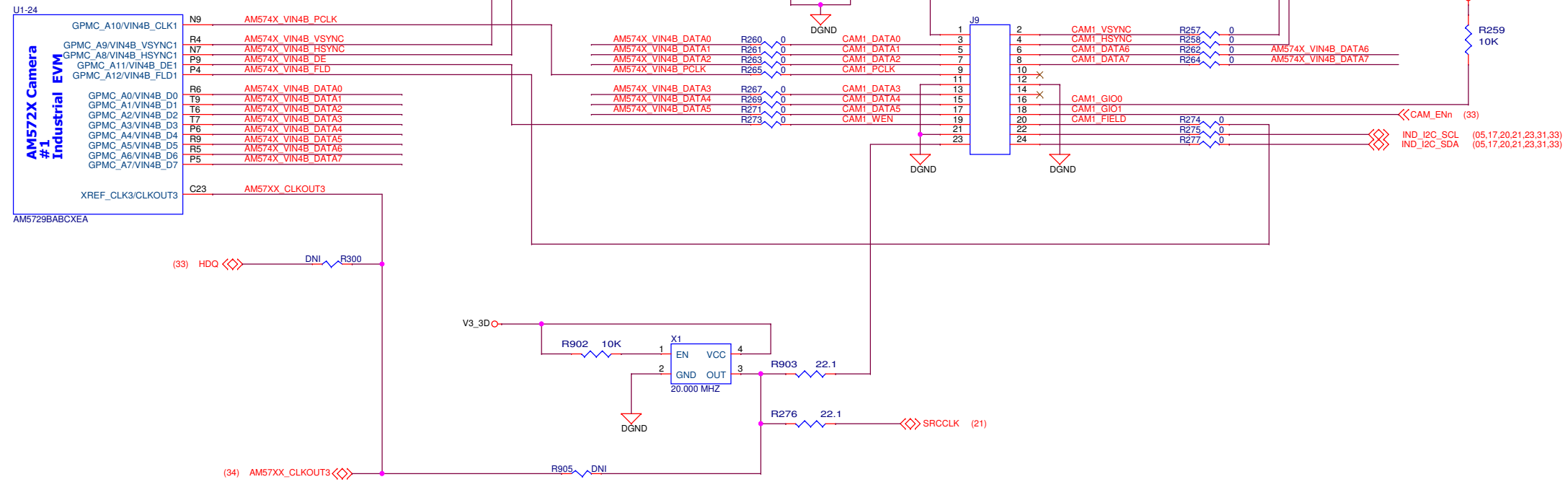
Industrial Ethernet LED's



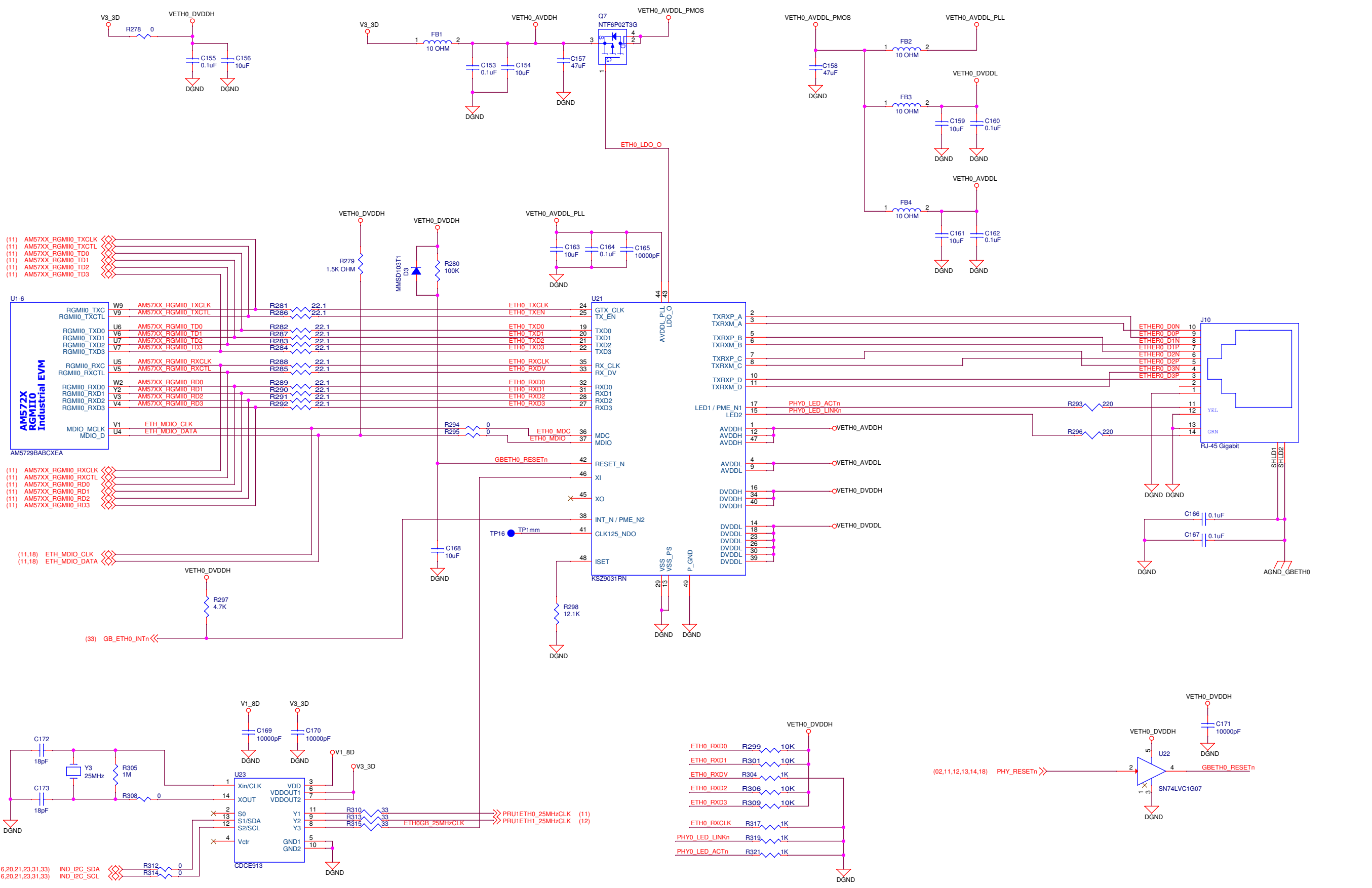
Status LED's



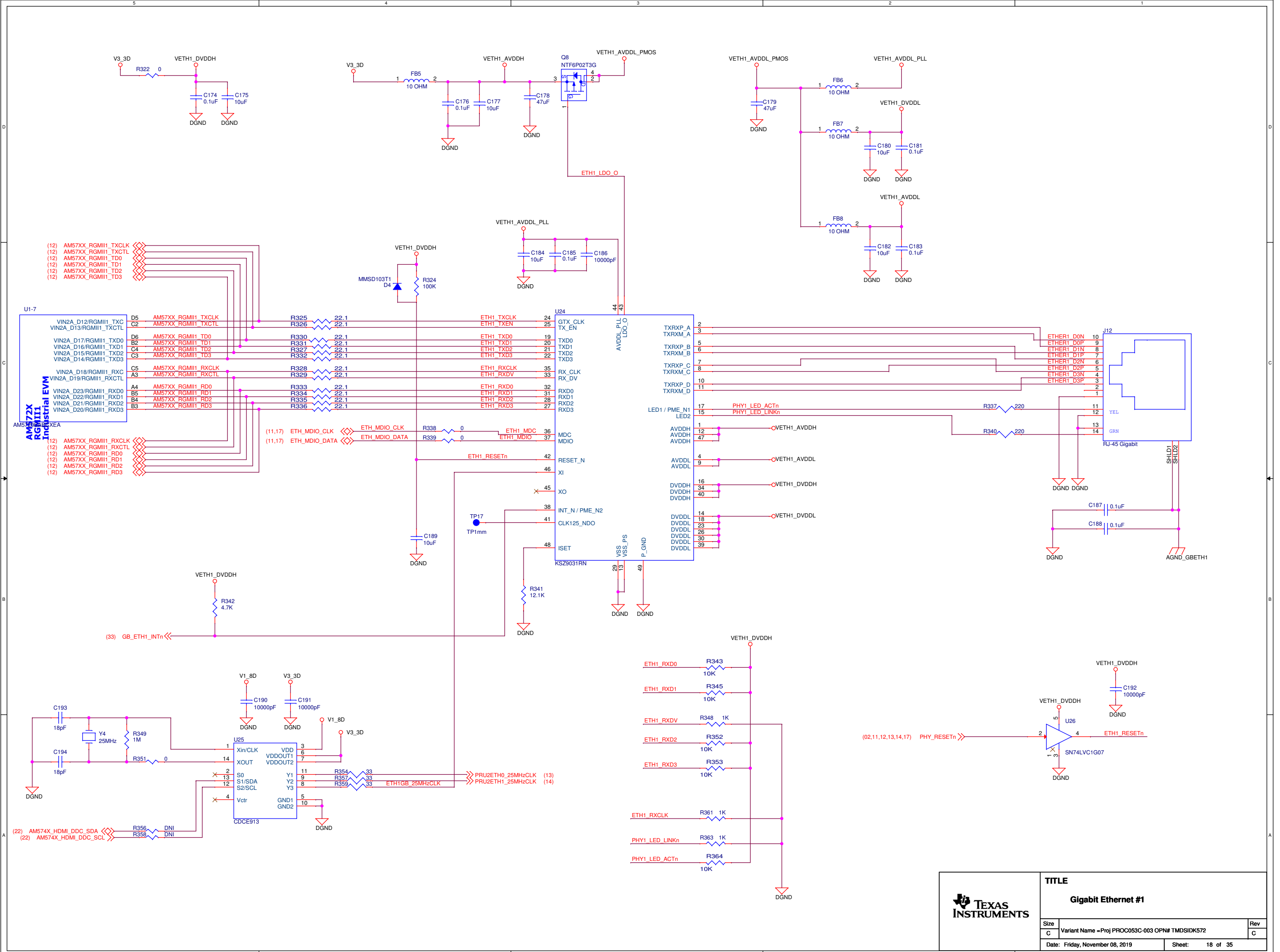
		TITLE	
		Industrial Ethernet LED's/Status LED's	
Size	Variant Name - Proj PROC053C-003 OPN# TMSIDK572	Rev	C
C	Date: Friday, November 08, 2019	Sheet:	15 of 35



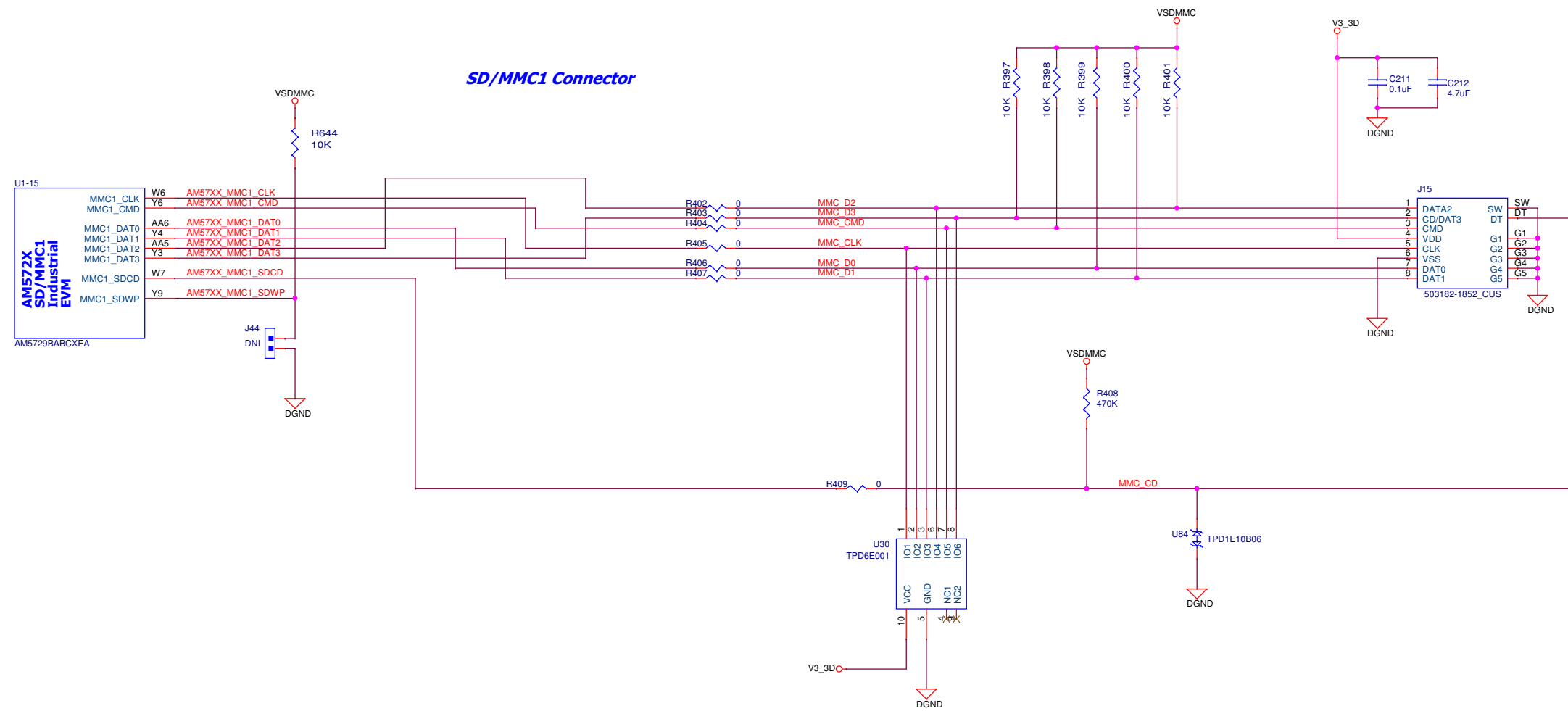
		TITLE	
		Camera #1	
Size	Variant Name - Proj PROC053C-003 OPN# TMSIDK572	Rev	C
C	Date: Friday, November 08, 2019	Sheet:	16 of 35



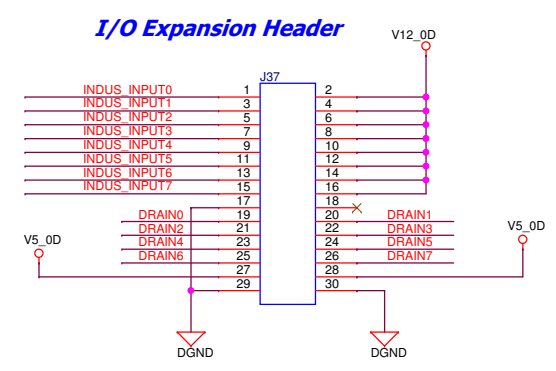
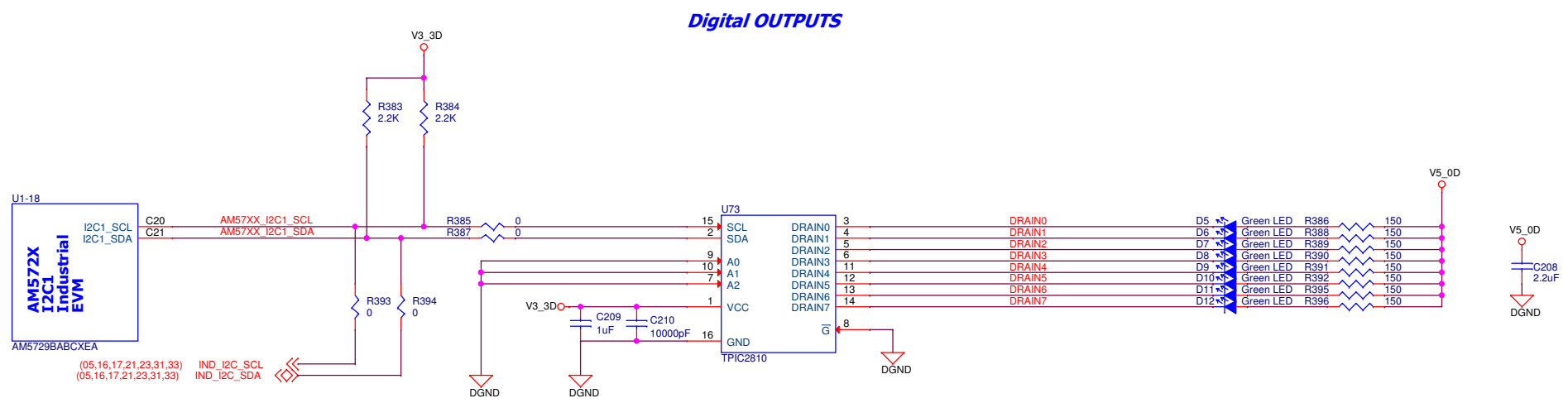
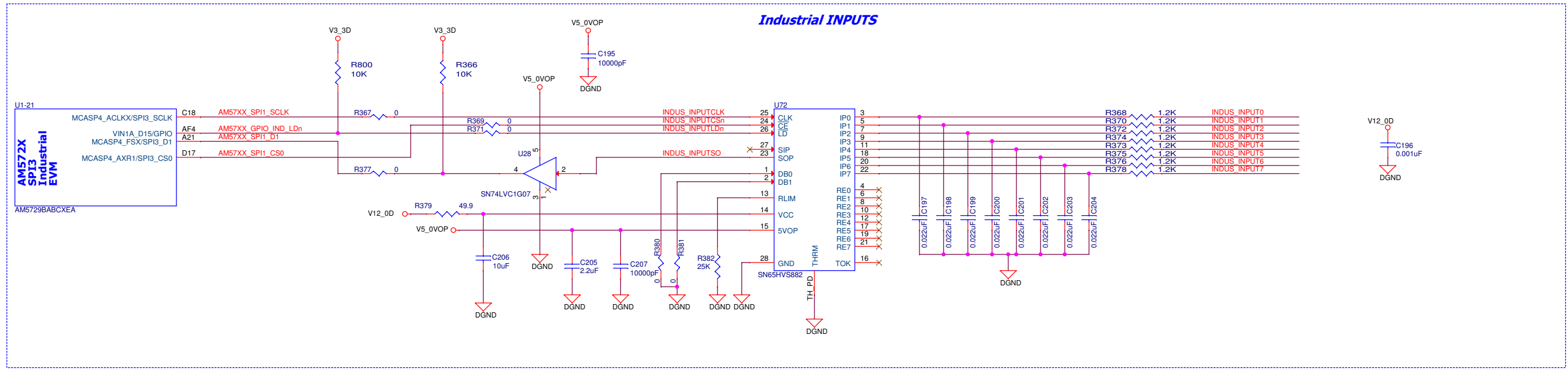
		TITLE	
		Gigabit Ethernet #0	
Size	Variant Name	Rev	
C	-Proj PROC053C-003 OPN# TMSIDK572	C	
Date:	Friday, November 08, 2019	Sheet:	17 of 35



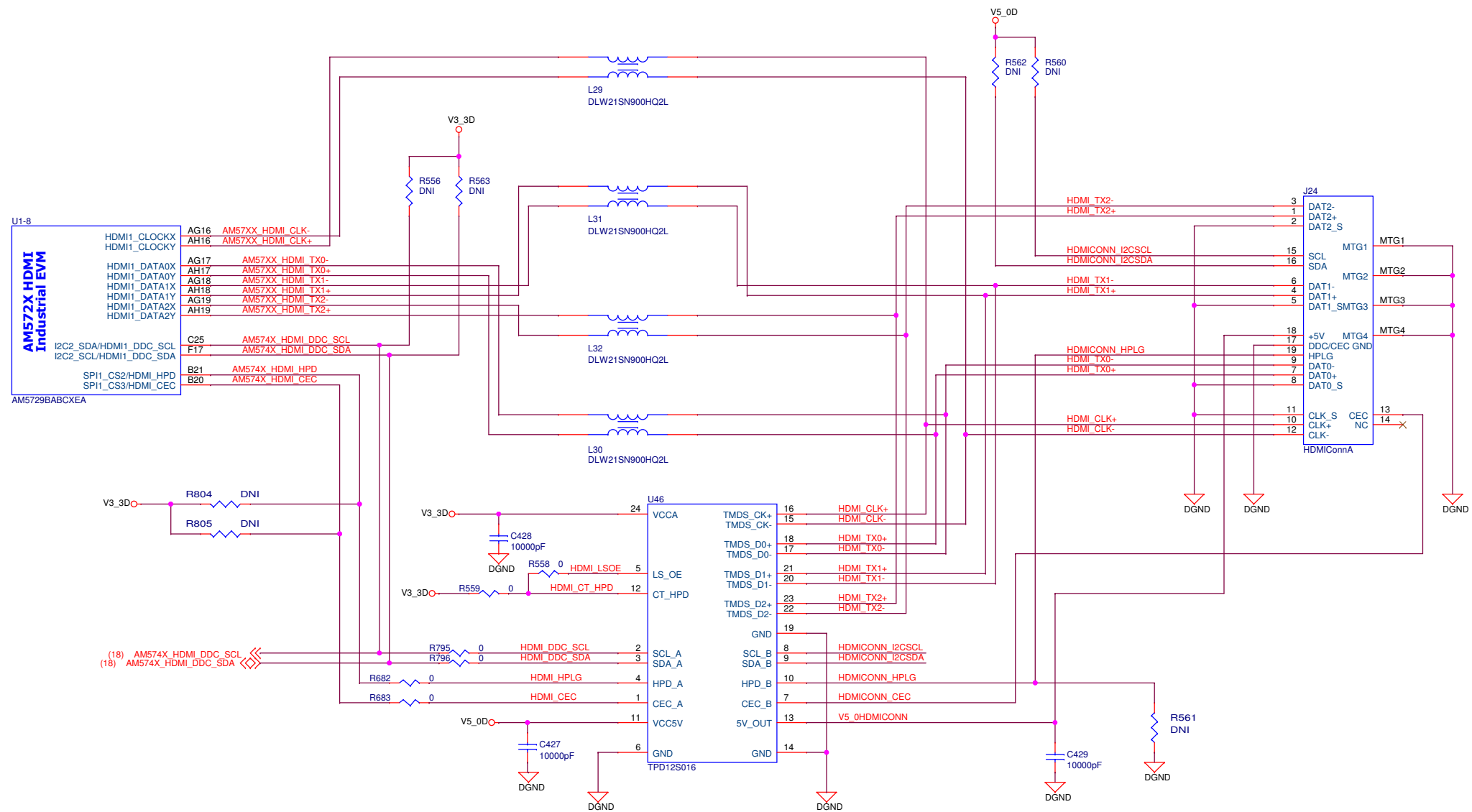
		TITLE	
		Gigabit Ethernet #1	
Size C	Variant Name - Proj	PROC053C-003 OPN#	TMDSIDK572
Date:	Friday, November 08, 2019	Sheet:	18 of 35



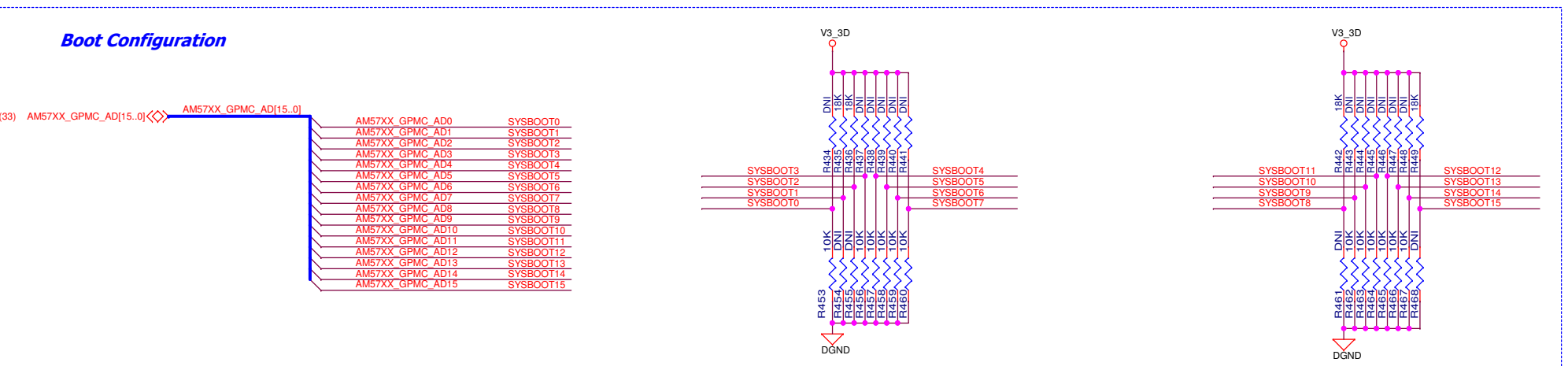
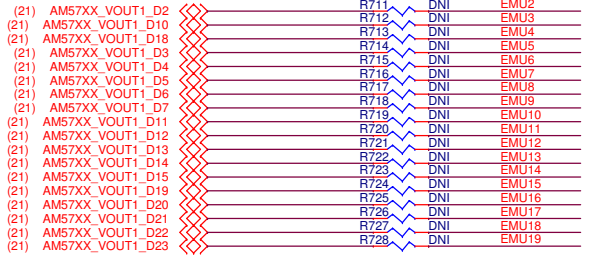
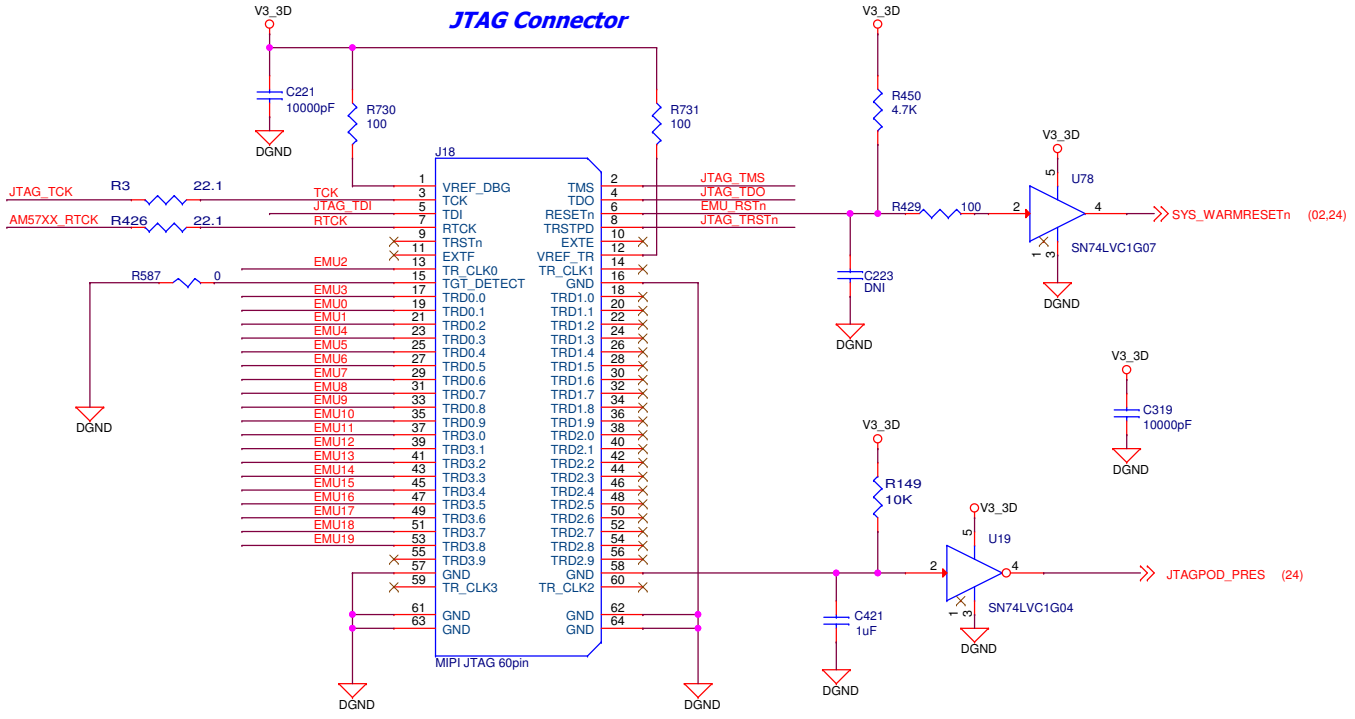
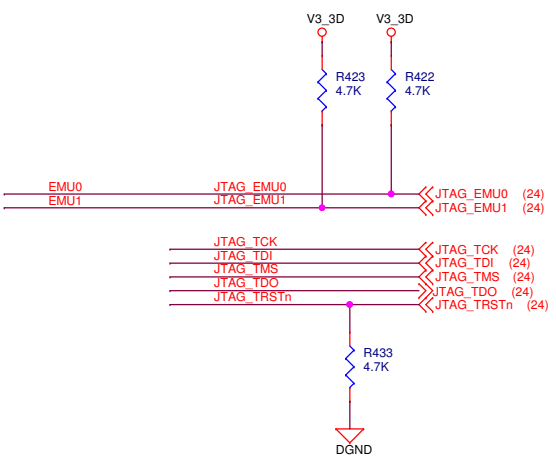
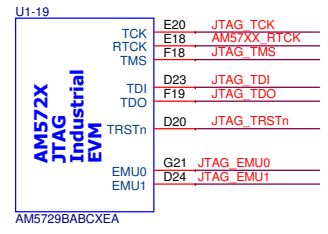
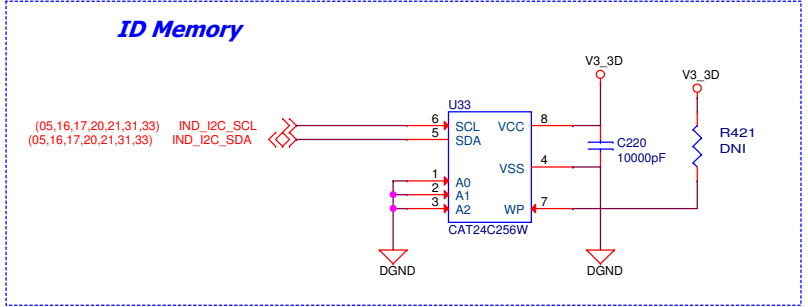
	TITLE	
	SDMMC #1 Interface	
Size	Variant Name - Proj PROC053C-003 OPN# TMSIDK572	Rev
C		C
Date: Friday, November 08, 2019	Sheet: 19 of 35	



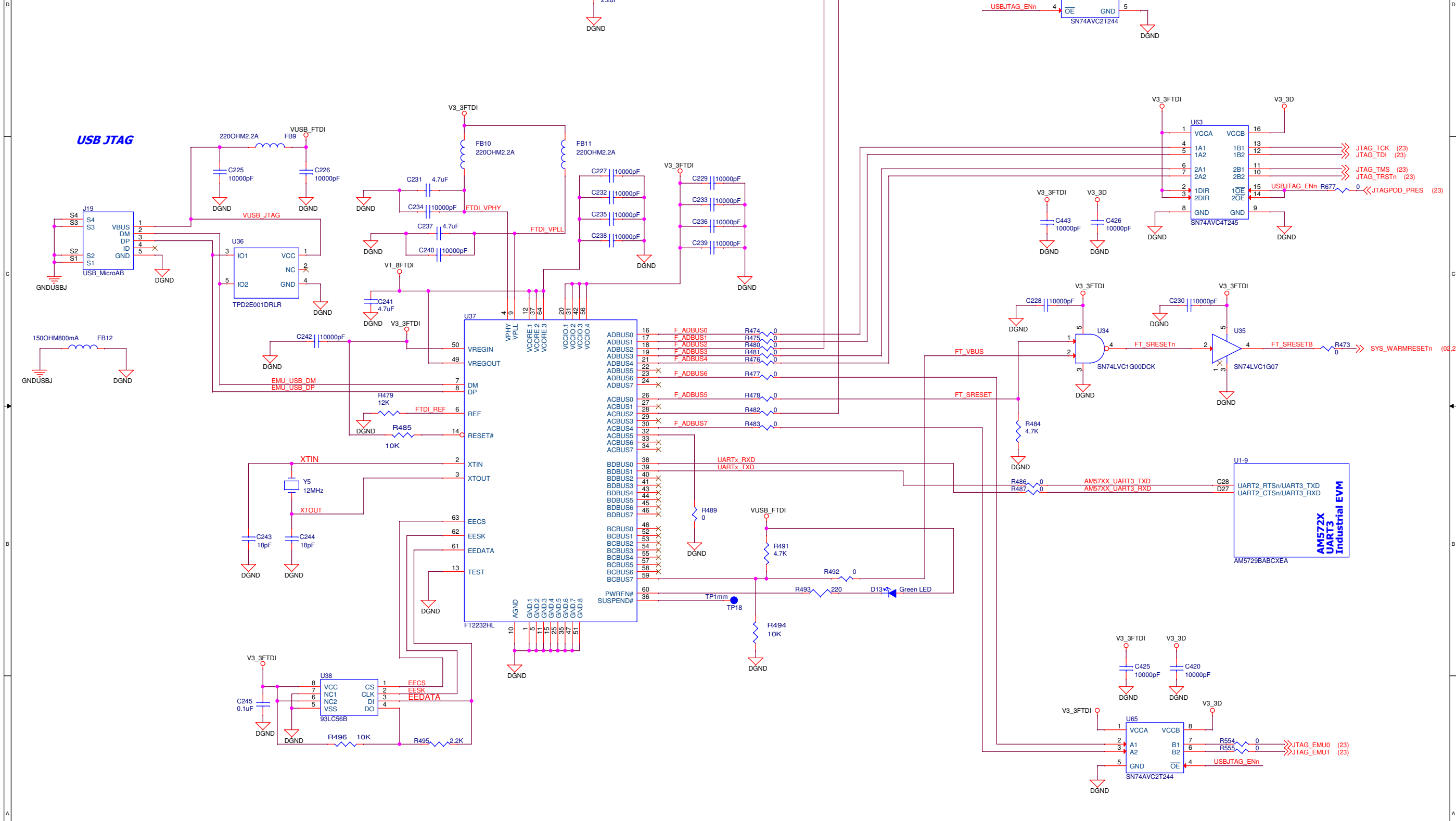
		TITLE	
		Industrial I/O	
Size C	Variant Name - Proj PROC053C-003 OPN# TMSIDK572	Rev C	
Date: Friday, November 08, 2019	Sheet: 20 of 35		



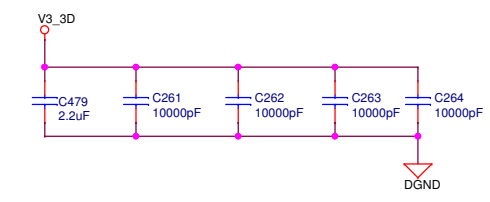
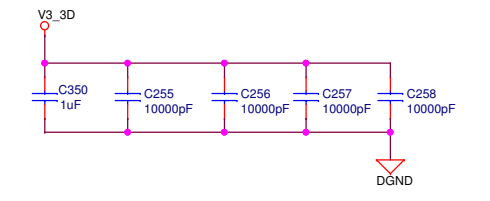
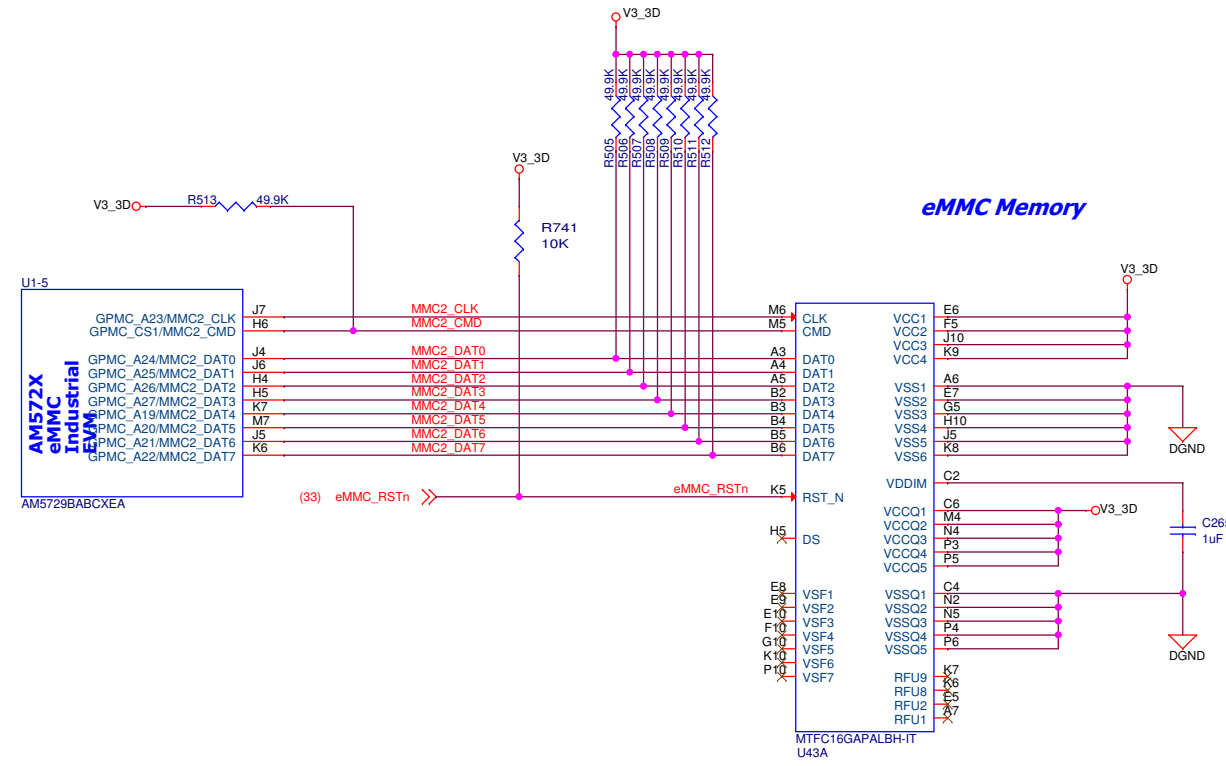
		TITLE	
		HDMI	
Size	Variant Name - Proj PROC053C-003 OPN# TMSIDK572	Rev	
C		C	
Date: Friday, November 08, 2019	Sheet: 22 of 35		



		TITLE	
		Debug/Configuration	
Size	Variant Name - Proj PROC053C-003 OPN# TMSIDK572	Rev	C
C			
Date:	Friday, November 08, 2019	Sheet:	23 of 35



		TITLE	
		USB JTAG	
Size C	Variant Name - Proj PROC053C-003 OPN# TMSIDK572	Rev C	
Date: Friday, November 08, 2019	Sheet: 24 of 35		

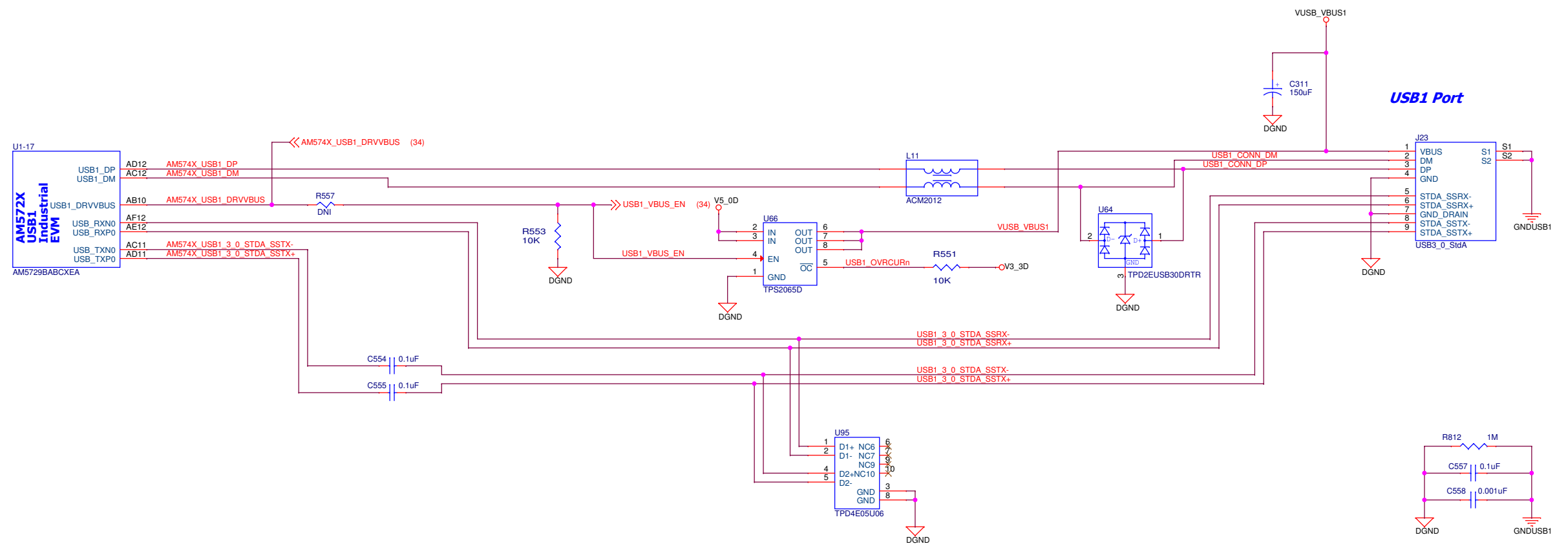


U43B

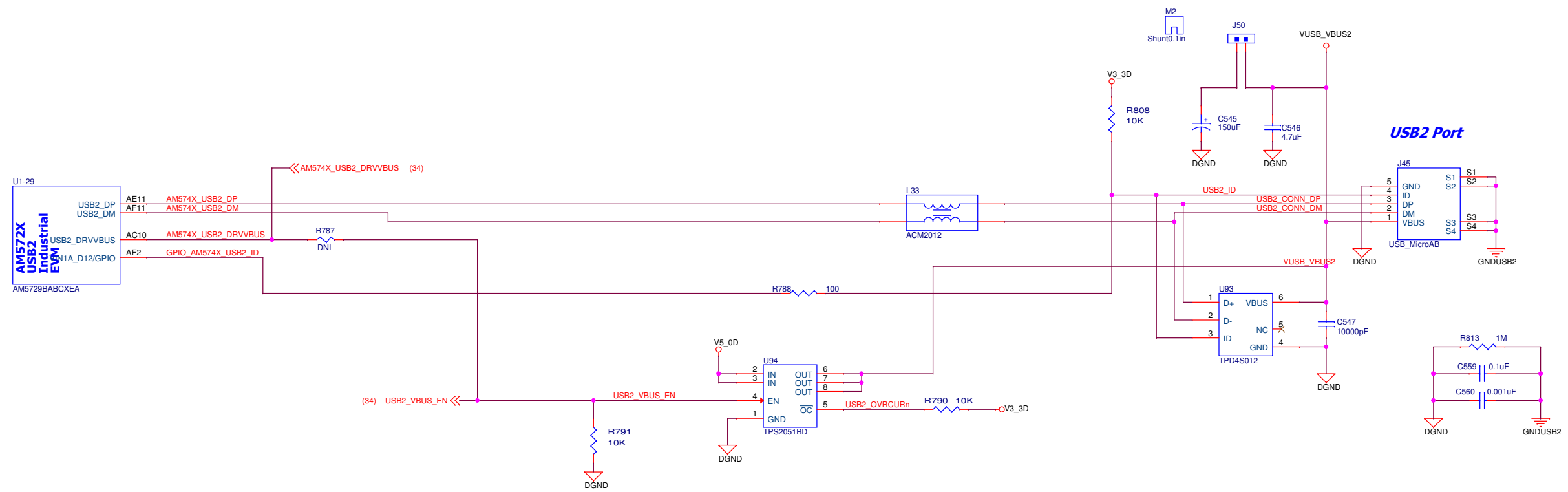
A1	NC_1	NC_55	H1
A2	NC_2	NC_56	H2
A3	NC_3	NC_57	H3
A4	NC_4	NC_58	H4
A5	NC_5	NC_59	H5
A6	NC_6	NC_60	H6
A7	NC_7		
A8	NC_8	NC_61	J1
A9	NC_9	NC_62	J2
A10	NC_10	NC_63	J3
A11	NC_11	NC_64	J4
A12	NC_12	NC_65	J5
A13	NC_13	NC_66	J6
A14	NC_14	NC_67	K1
B1	NC_15	NC_68	K2
B2	NC_16	NC_69	K3
B3	NC_17	NC_70	K4
B4	NC_18	NC_71	K5
B5	NC_19	NC_72	K6
B6	NC_20	NC_73	L1
B7	NC_21	NC_74	L2
B8	NC_22	NC_75	L3
B9	NC_23	NC_76	L4
B10	NC_24	NC_77	L5
B11	NC_25	NC_78	L6
B12	NC_26	NC_79	M1
B13	NC_27	NC_80	M2
B14	NC_28	NC_81	M3
C1	NC_29	NC_82	M4
C2	NC_30	NC_83	M5
C3	NC_31	NC_84	M6
C4	NC_32	NC_85	M7
C5	NC_33	NC_86	M8
C6	NC_34	NC_87	M9
C7	NC_35	NC_88	M10
C8	NC_36	NC_89	M11
C9	NC_37	NC_90	M12
C10	NC_38	NC_91	M13
C11	NC_39	NC_92	M14
C12	NC_40	NC_93	N1
C13	NC_41	NC_94	N2
C14	NC_42	NC_95	N3
D1	NC_43	NC_96	N4
D2	NC_44	NC_97	N5
D3	NC_45	NC_98	N6
D4	NC_46	NC_99	N7
D5	NC_47	NC_100	N8
D6	NC_48	NC_101	N9
D7	NC_49	NC_102	N10
D8	NC_50	NC_103	N11
D9	NC_51	NC_104	N12
D10	NC_52	NC_105	N13
D11	NC_53	NC_106	N14
D12	NC_54	NC_107	P1
D13	NC_55	NC_108	P2
D14	NC_56	NC_109	P3

MTFC16GAPALBH-IT

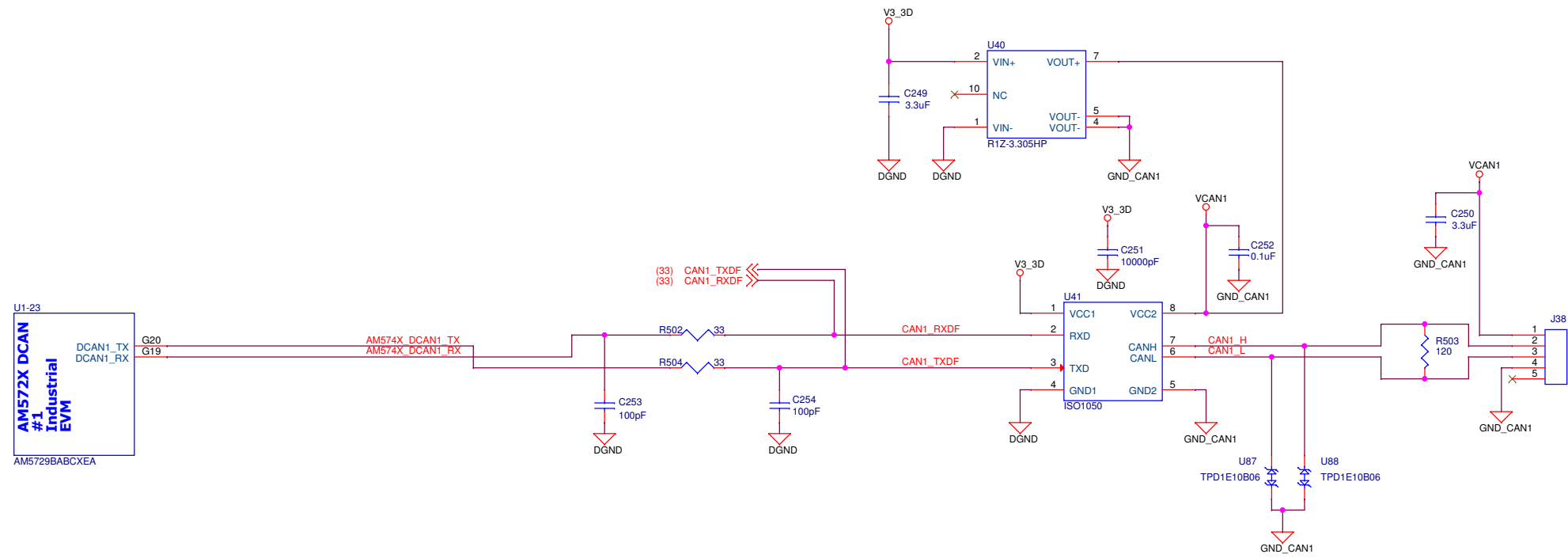
	TITLE	
	eMMC Memory	
	Size	Rev
C	Variant Name - Proj PROC053C-003 OPN# TMSIDK572	C
Date: Friday, November 08, 2019	Sheet: 25 of 35	



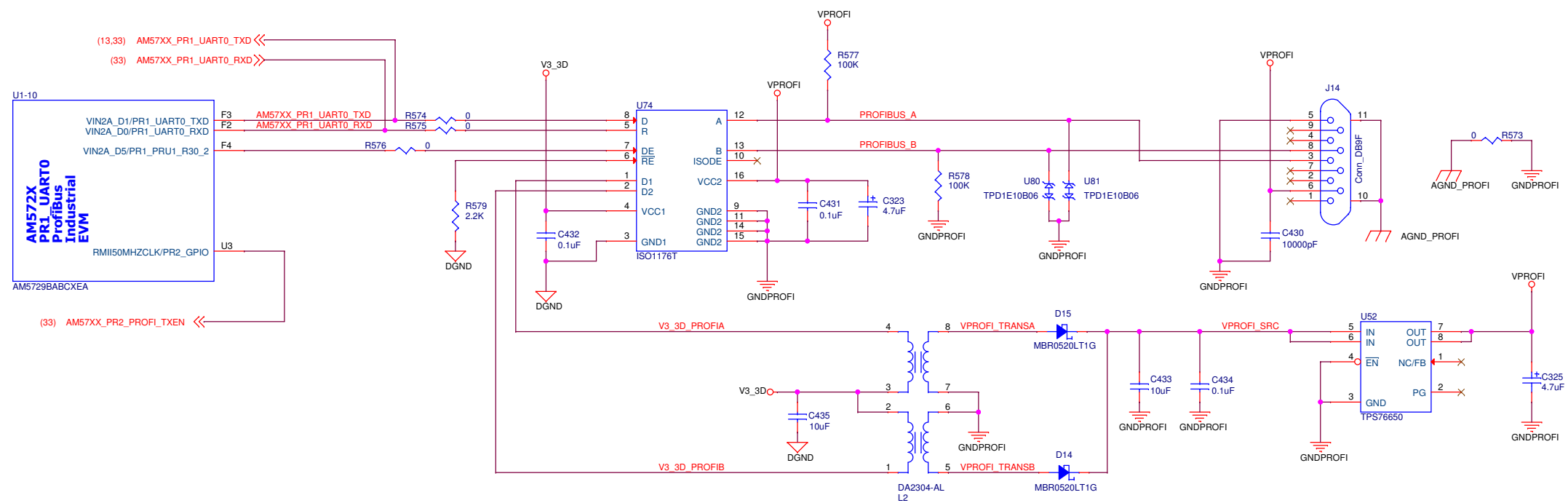
		TITLE	
		USB1 Port	
Size	Variant Name - Proj PROC053C-003 OPN# TMSIDK572	Rev	C
Date: Friday, November 08, 2019	Sheet:	26 of 35	



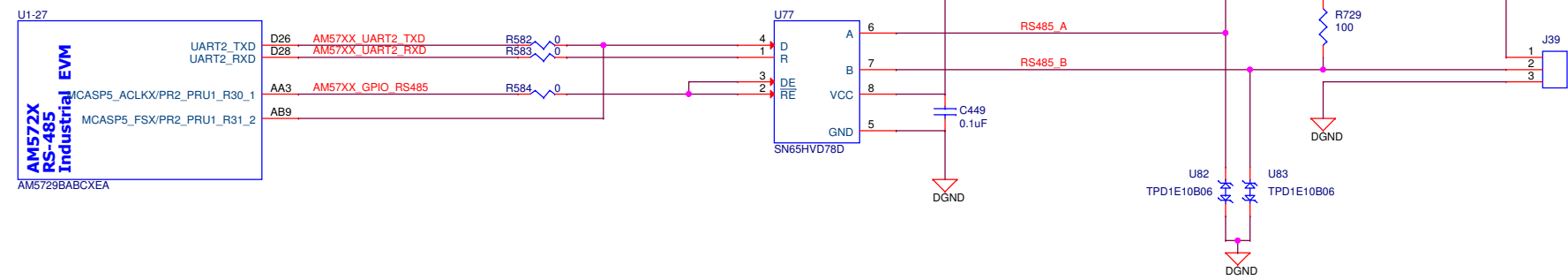
		TITLE	
		USB2 Port	
Size	Variant Name - Proj PROC053C-003 OPN# TMSIDK572	Rev	
C		C	
Date: Friday, November 08, 2019	Sheet: 27 of 35		



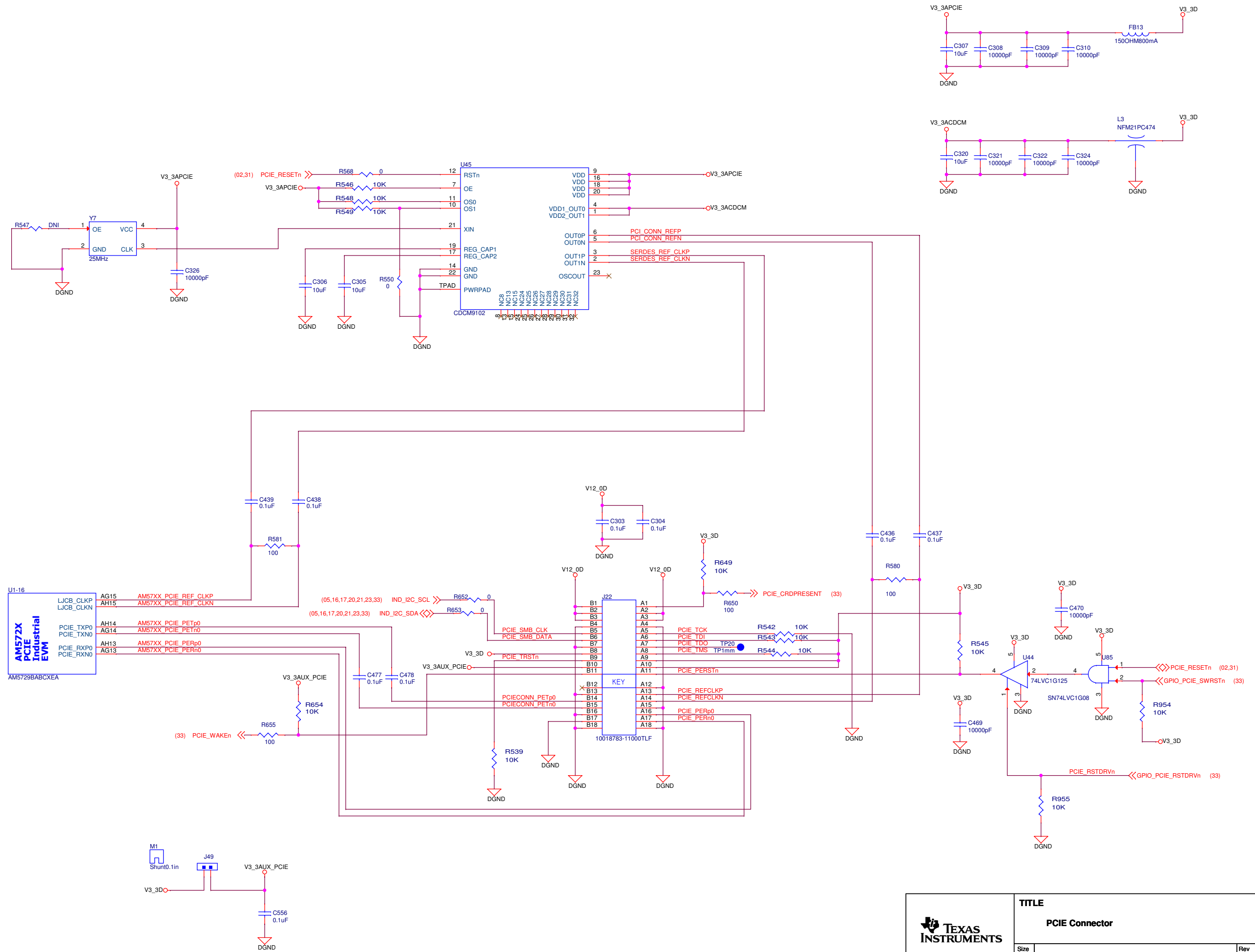
		TITLE	
		DCAN #1	
Size	Variant Name - Proj PROC053C-003 OPN# TMSIDK572	Rev	
C		C	
Date: Friday, November 08, 2019		Sheet:	28 of 35



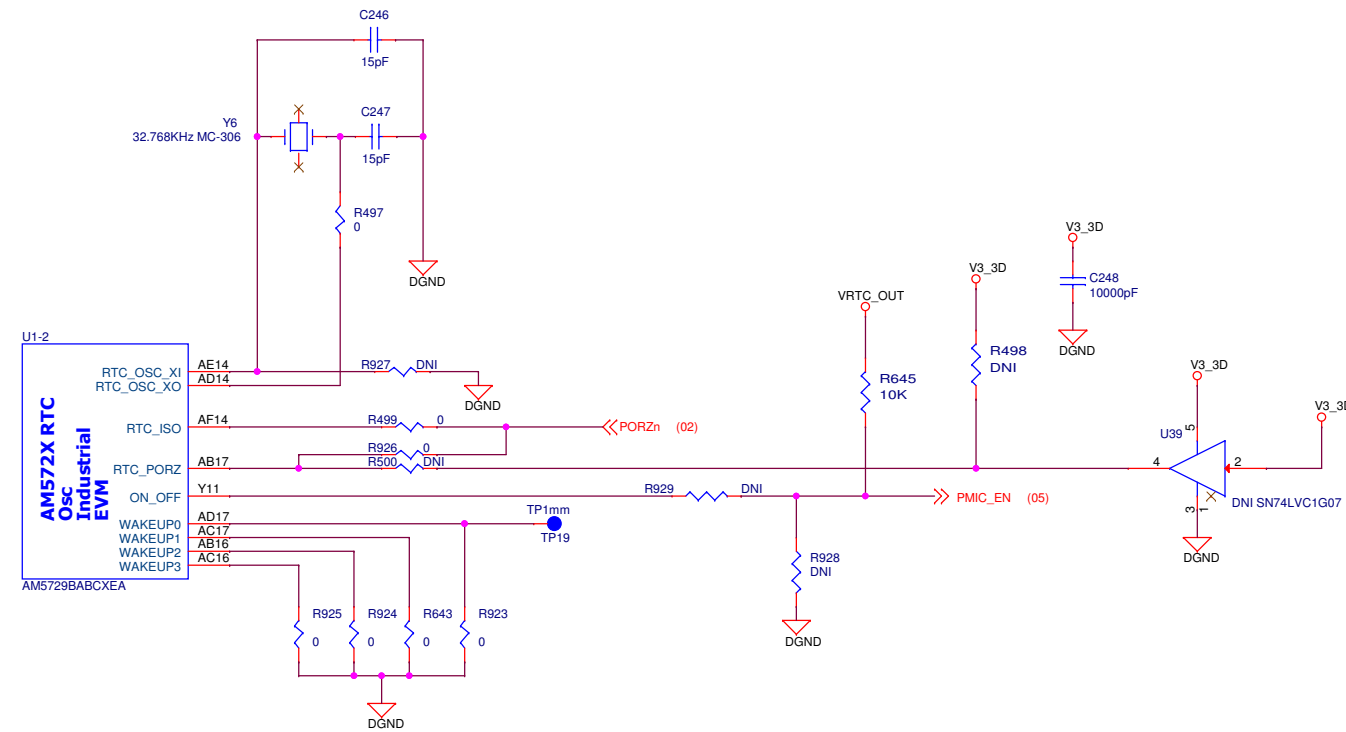
		TITLE	
		Profibus	
Size	Variant Name - Proj PROC053C-003 OPN# TMSIDK572	Rev	
C		C	
Date: Friday, November 08, 2019		Sheet:	29 of 35



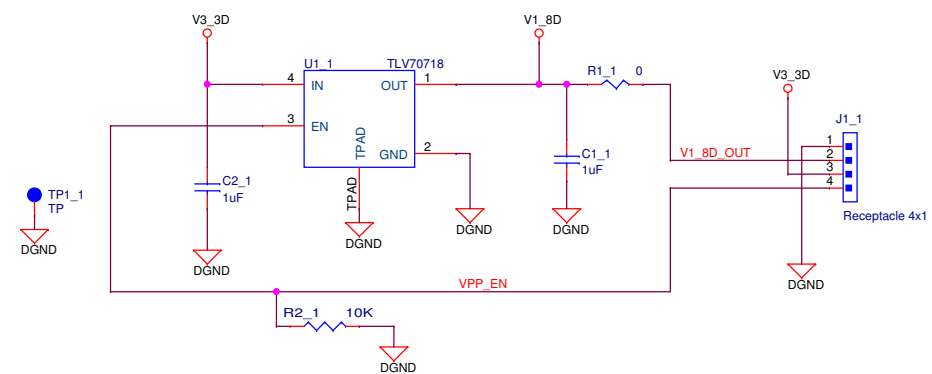
		TITLE	
		RS-485	
Size	Variant Name - Proj PROC053C-003 OPN# TMSIDK572	Rev	
C		C	
Date: Friday, November 08, 2019		Sheet: 30 of 35	



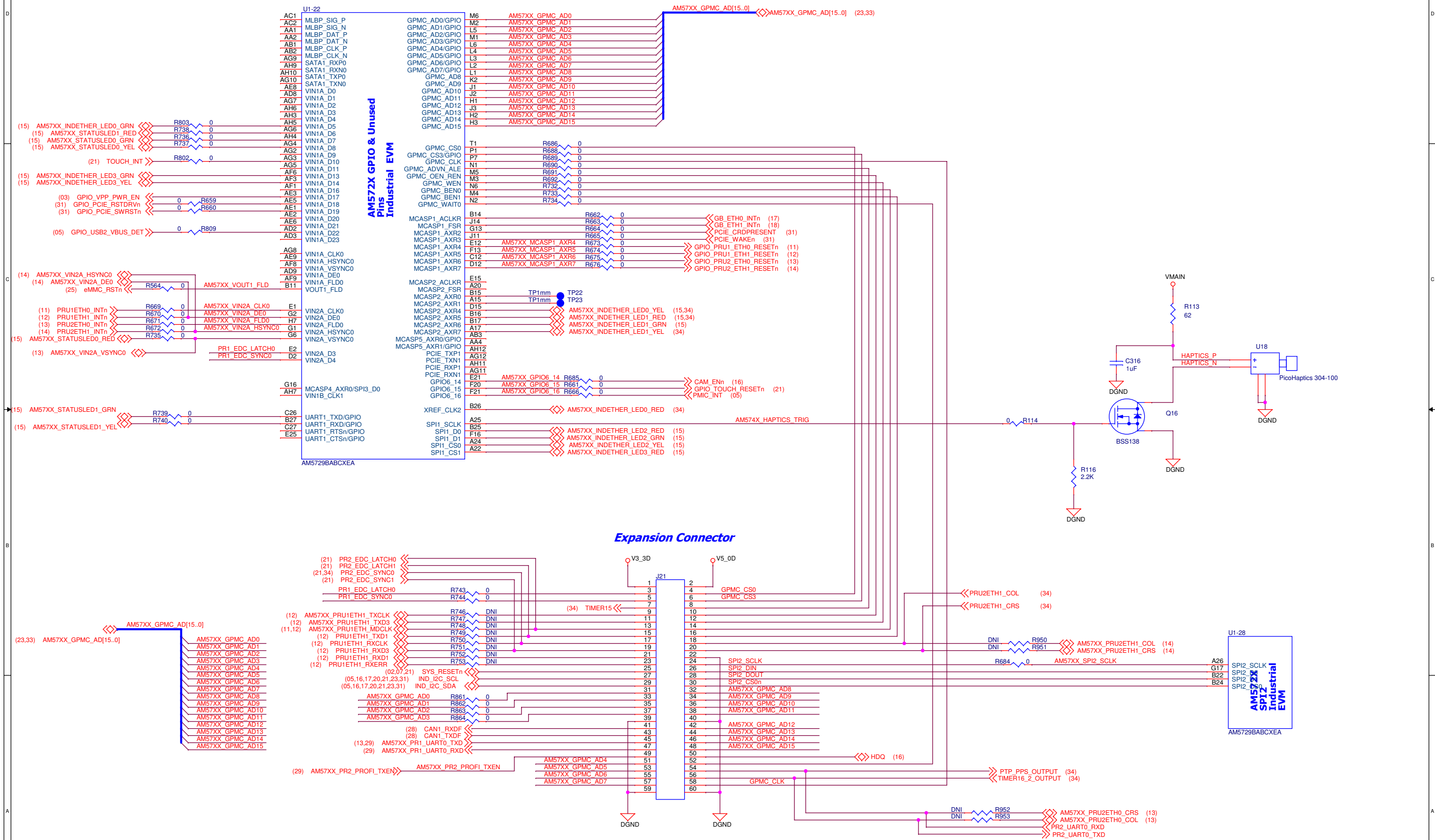
		TITLE	
		PCIe Connector	
Size	Variant Name	Rev	
C	-Proj PROC053C-003 OPN# TMSIDK572	C	
Date:	Friday, November 08, 2019	Sheet:	31 of 35



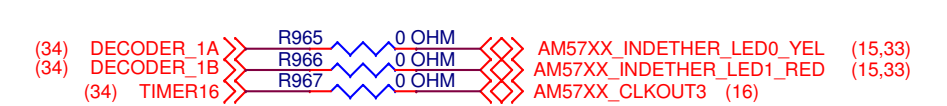
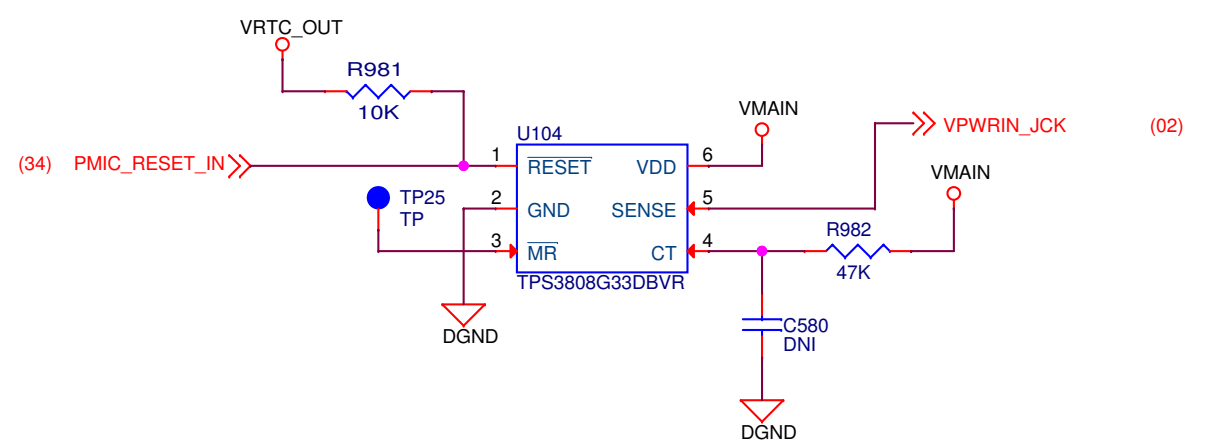
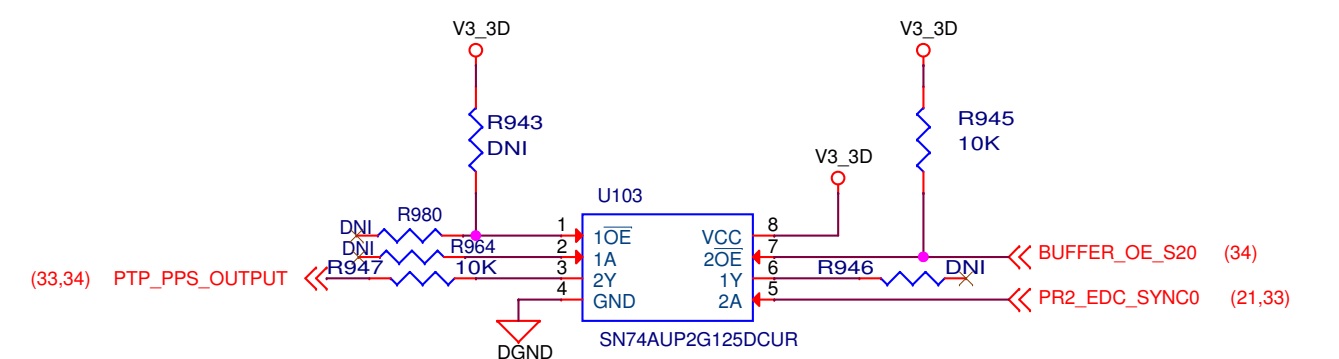
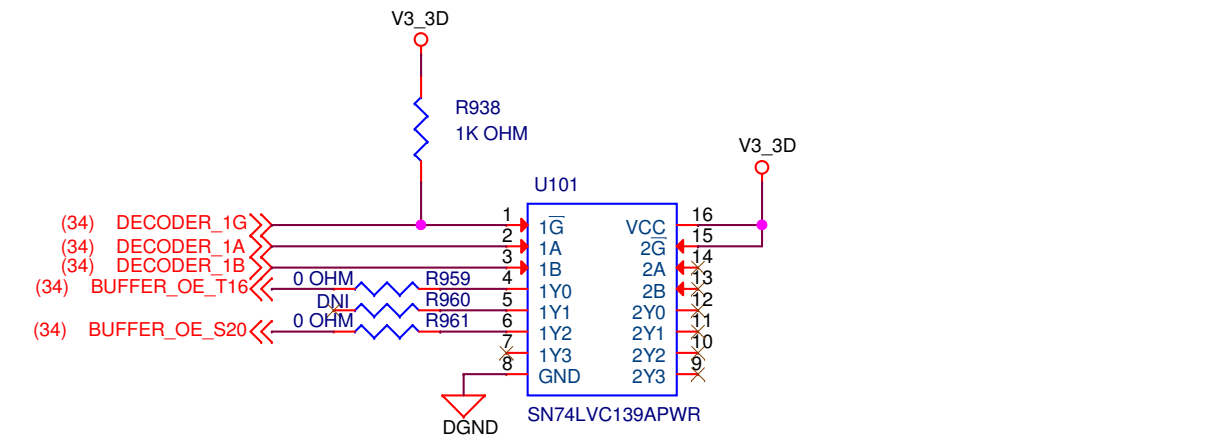
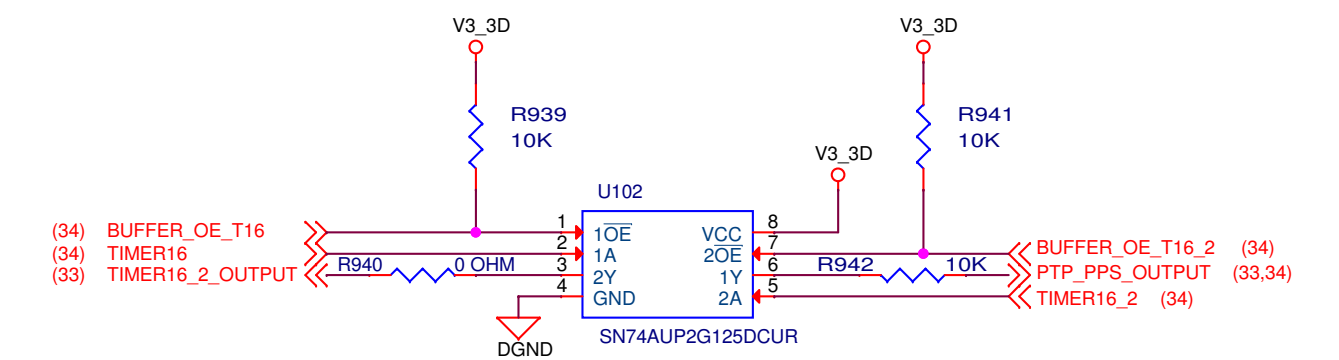
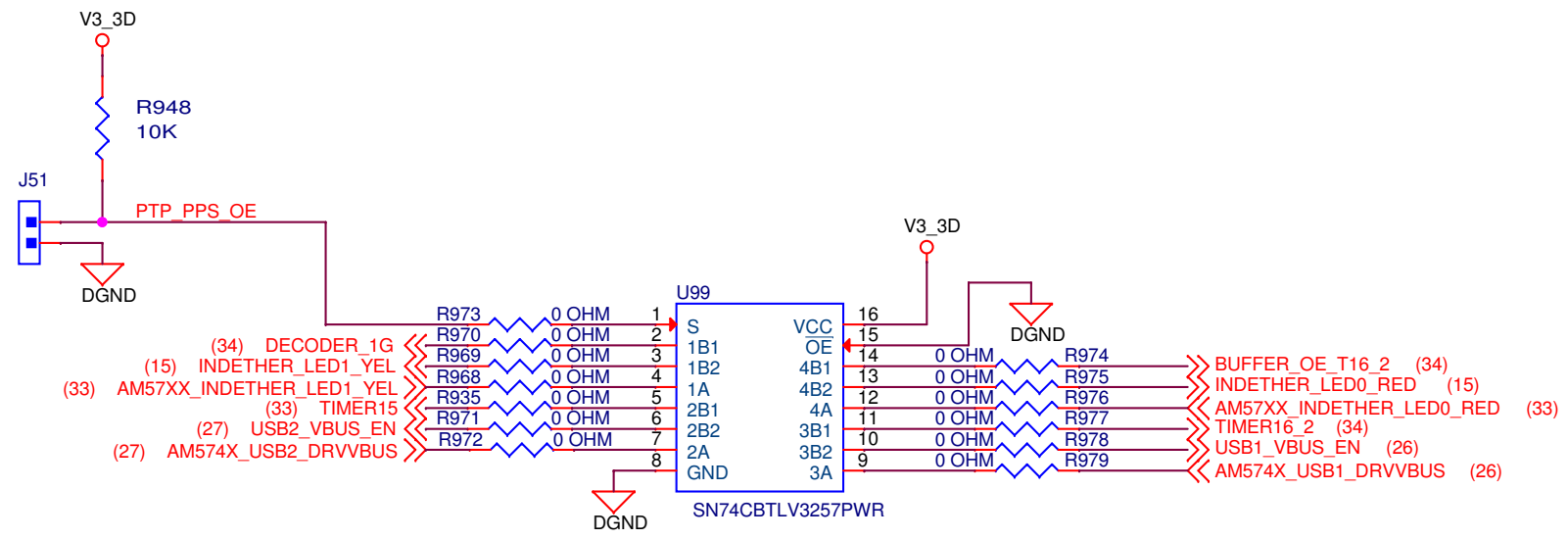
Catalog Processors - Vpp Programming Circuit



		TITLE	
		RTC & VPP Circuit	
Size	Variant Name - Proj PROC053C-003 OPN# TMSIDK572	Rev	C
C	Date: Friday, November 08, 2019	Sheet:	32 of 35



		TITLE	
		Expansion and Unused Pins	
Size C	Variant Name - Proj PROC053C-003 OPN# TMSIDK572	Rev C	
Date: Friday, November 08, 2019	Sheet: 33 of 35		



		TITLE IDK Mods	
		Size B	Variant Name = Proj PROC053C-003 OPN# TMSIDK572
Date: Friday, November 08, 2019		Sheet: 34 of 35	

PCB LOGO:
Texas Instruments



PCB LOGO:
WEEE and CE



PCB LOGO:
FCC disclaimer

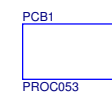
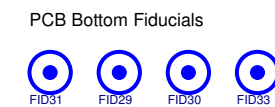
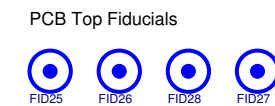
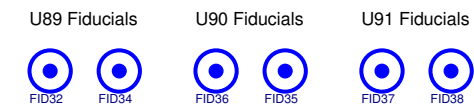
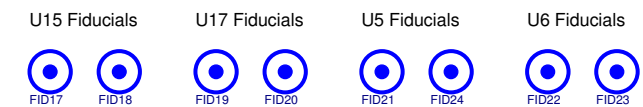
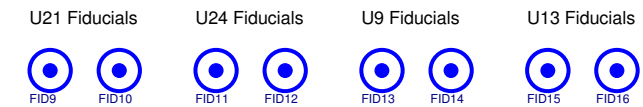
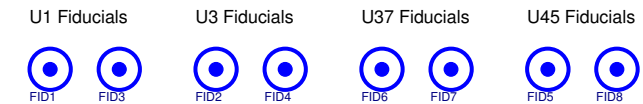
*For evaluation only; not
FCC approved for resale*

PCB LOGO:
Caution Hot Surface



Assembly Notes:

1. These assemblies are ESD sensitive. ESD precautions shall be observed.
2. These assemblies must be clean and free from flux and all contaminants. Use of 'no clean flux' is not acceptable.
3. These assemblies must comply with workmanship standard IPC-A-610 Class 2, unless otherwise specified.
4. Each finished board will receive a serial number sticker during final testing.
5. Each finished board will receive a MAC Address sticker during final testing.
6. Install header shunt M1 (on J49) and M2 (on J50) during final testing.



Variant / Label Table	
Variant	Label Text
001	TMDSIDK574
002	TMDSIDK574H
003	TMDSIDK572



**Install label in silkscreened box after final wash.
Text shall be 8 pt. Text shall be per the label table in the PDF schematics**

	TITLE						
	Hardware						
	<table border="1"> <tr> <th>Size</th> <th>Variant Name</th> <th>Rev</th> </tr> <tr> <td>C</td> <td>-Proj PROC053C-003 OPN# TMDSIDK572</td> <td>C</td> </tr> </table>	Size	Variant Name	Rev	C	-Proj PROC053C-003 OPN# TMDSIDK572	C
Size	Variant Name	Rev					
C	-Proj PROC053C-003 OPN# TMDSIDK572	C					
Sheet: 35 of 35							

IMPORTANT NOTICE AND DISCLAIMER

TI PROVIDES TECHNICAL AND RELIABILITY DATA (INCLUDING DATASHEETS), DESIGN RESOURCES (INCLUDING REFERENCE DESIGNS), APPLICATION OR OTHER DESIGN ADVICE, WEB TOOLS, SAFETY INFORMATION, AND OTHER RESOURCES "AS IS" AND WITH ALL FAULTS, AND DISCLAIMS ALL WARRANTIES, EXPRESS AND IMPLIED, INCLUDING WITHOUT LIMITATION ANY IMPLIED WARRANTIES OF MERCHANTABILITY, FITNESS FOR A PARTICULAR PURPOSE OR NON-INFRINGEMENT OF THIRD PARTY INTELLECTUAL PROPERTY RIGHTS.

These resources are intended for skilled developers designing with TI products. You are solely responsible for (1) selecting the appropriate TI products for your application, (2) designing, validating and testing your application, and (3) ensuring your application meets applicable standards, and any other safety, security, or other requirements. These resources are subject to change without notice. TI grants you permission to use these resources only for development of an application that uses the TI products described in the resource. Other reproduction and display of these resources is prohibited. No license is granted to any other TI intellectual property right or to any third party intellectual property right. TI disclaims responsibility for, and you will fully indemnify TI and its representatives against, any claims, damages, costs, losses, and liabilities arising out of your use of these resources.

TI's products are provided subject to TI's Terms of Sale (www.ti.com/legal/termsofsale.html) or other applicable terms available either on ti.com or provided in conjunction with such TI products. TI's provision of these resources does not expand or otherwise alter TI's applicable warranties or warranty disclaimers for TI products.

Mailing Address: Texas Instruments, Post Office Box 655303, Dallas, Texas 75265
Copyright © 2019, Texas Instruments Incorporated